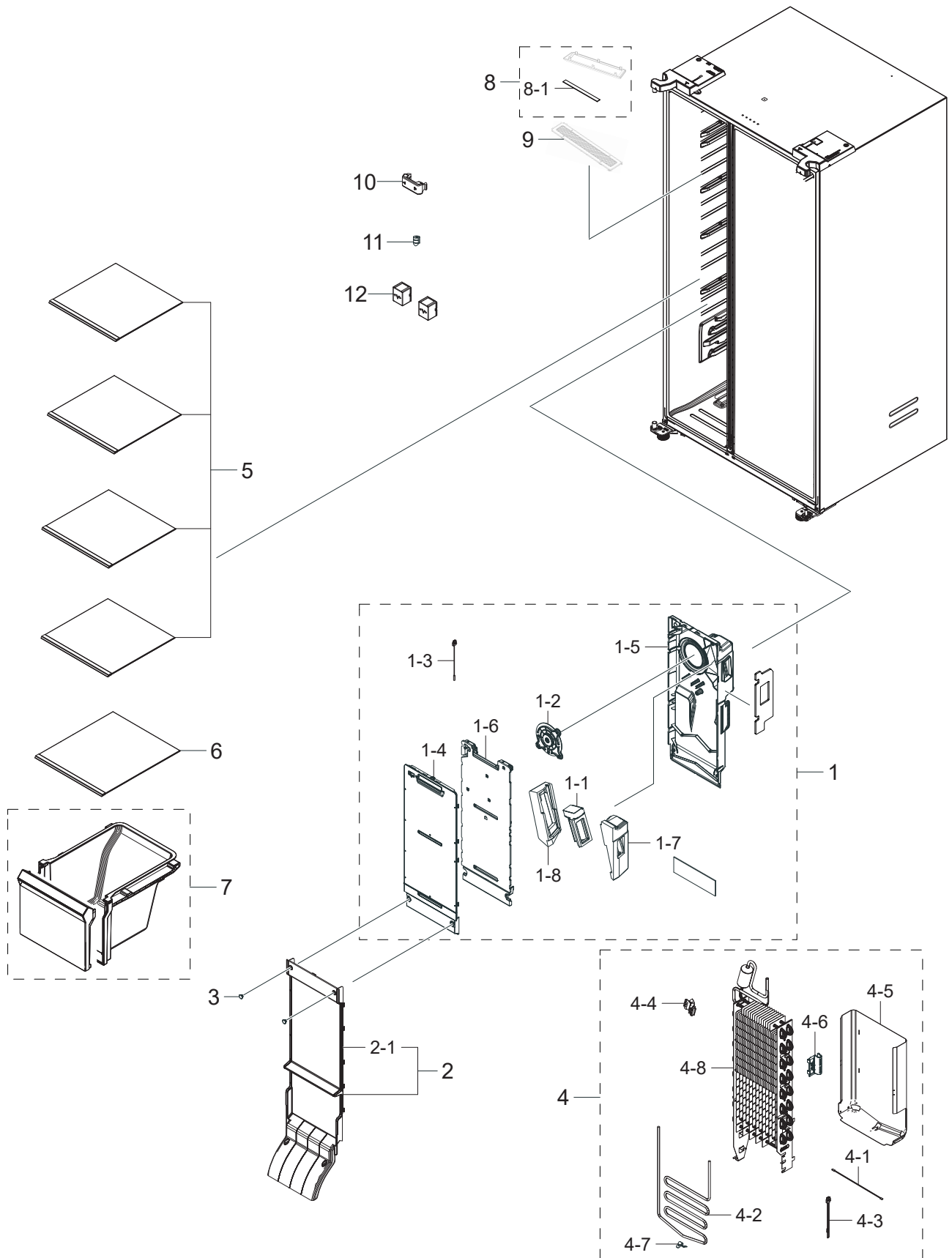


RS5300T] RS27T5200S9/CO EXPLODED VIEW AND PARTS LIST

■ FREEZER



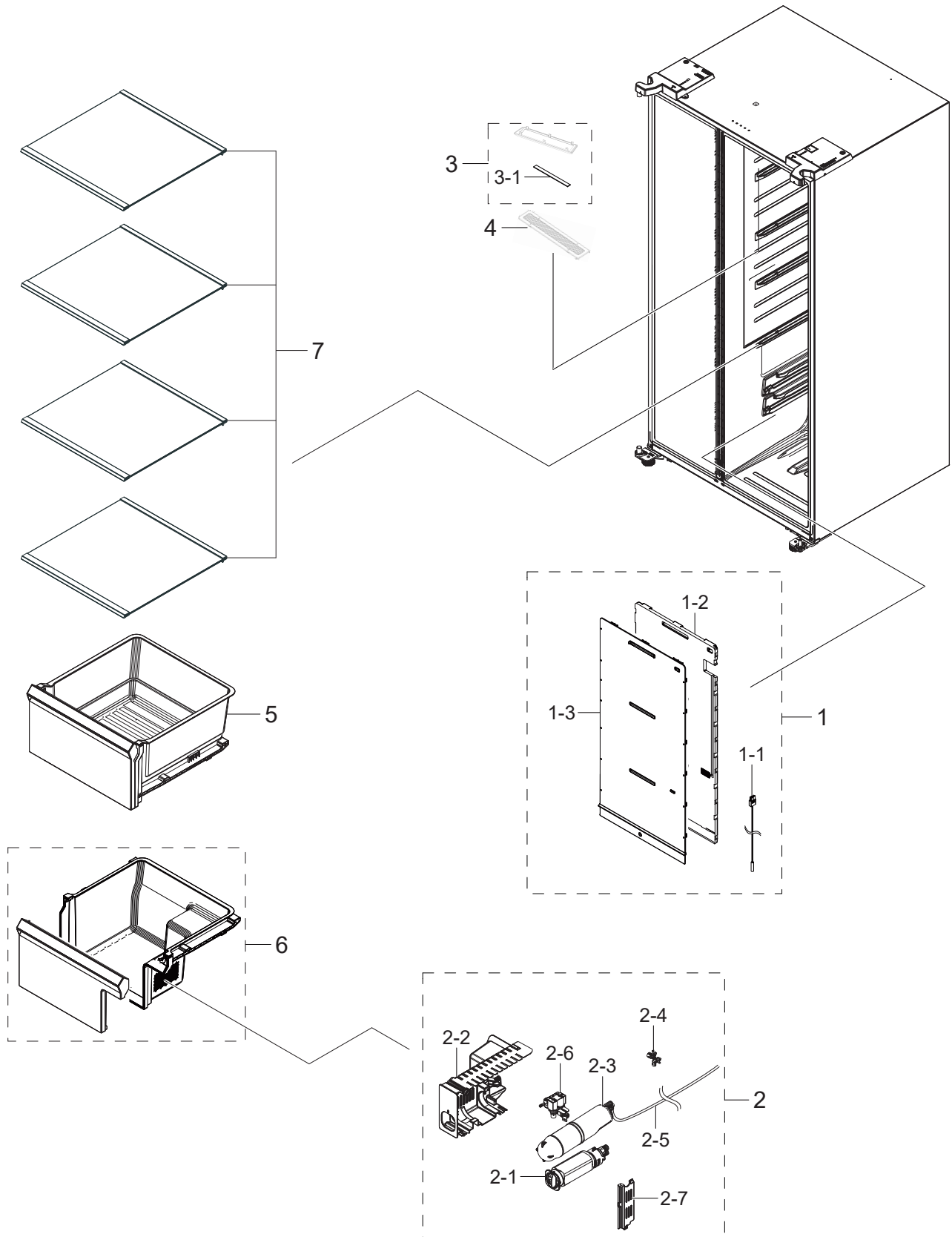
Service Bom (SA: SERVICE AVAILABLE, SNA: SERVICE NOT AVAILABLE)

No	Code No.	Description	Spec.	Q'TY	SA/SNA
1	DA97-20713A	ASSY COVER MULTI-FRE	RS5300T,NON METAL	1	SA
1-1	DA31-00333E	MOTOR GEARED DC DAMPER	NSBA001TQ1,DC12V,60mA,60mA,Heater 3W / Use Flat Cable /600mm	1	SA
1-2	DA31-00342A	MOTOR BLDC FAN	ARES2130RA,1850RPM,12V,0.35A,4.2W,F135,FC connector,-30to+60C	1	SA
1-3	DA32-00070T	SENSOR TEMP	DKST1329GW,SC41198-021A,L700,13.2Kohm	1	SA
1-4	DA63-09694A	COVER MULTI-FRE	RS5300T,PP,HB,COOL WHITE	1	SNA
1-5	DA63-09695A	COVER MULTI-FRE REAR	RS5300T,PP,HB,INNER GRAY,RECYCLED,CNTK-P101	1	SNA
1-6	DA62-05385A	INSULATION DUCT-FRE FRONT	RS5300T,PS FOAM,NATURAL	1	SNA
1-7	DA62-05298A	INSULATION DUCT-SUB	RS5000RC,PS FOAM,NATURAL	1	SNA
1-8	DA62-05299A	INSULATION DUCT-SUB UP	RS5000RC,PS FOAM,NATURAL	1	SNA
2	DA97-20714A	ASSY COVER EVAP-FRE	RS5300T	1	SA
2-1	DA63-09696A	COVER EVAP-FRE	RS5300T,PP,HB,COOL WHITE	1	SA
3	DA67-30266K	CAP SCREW	A-TOP,PP,T1.5,HB,BJ750,COOL WHITE	3	SA
4	DA96-01384D	ASSY EVAP-FRE	RS5300T,Fin Tube,120V,300W,1 EVAP, ONLY R600A	1	SA
4-1	DA32-00024L	SENSOR TEMP	502AT,PX-41C,DKST1329GW,ES-PJT,SSEC,5V,WHT,L250,PVC	1	SA
4-2	DA47-00522B	HEATER METAL SHEATH	AC120V,RS5000T FRE,48 ohm,300W,INC OLOY840,1915mm,BIMETAL,35965-9210 (2EA),MgO	1	SA
4-3	DA47-00301B	THERMO FUSE-ASSY	AC250V,10A,109~110°C,S.O.D,ETC(WIRE)	1	SA
4-4	DA61-00603A	FIXER SENSOR	n-PJT,PPT2,NATURAL,HB,BJ750	1	SA
4-5	DA61-04026A	PLATE DRAIN	ES-PJT,SSEC,GI-SGCC,T0.35	1	SA
4-6	DA61-07411A	FIXER-FUSE	NW2,PP,NATURAL,BJ750	1	SA
4-7	DA61-07451A	PLATE-EVAP HEATER	NW2,AL,T0.7	1	SNA
4-8	DA59-00624B	EVAPORATOR-FRE	Fin Tube,RS5300T(UL SPEC.),2,A1070,8,A1100,70,28	1	SA
5	DA97-20645A	ASSY SHELF-FRE UP	RS5300T	4	SA
6	DA97-20646A	ASSY SHELF-FRE LOW	RS5300T	1	SA
7	DA97-20630A	ASSY CASE BASKET-LOW	RS5300T	1	SA
8	DA97-19899A	ASSY CASE LAMP	RS5000RC,T2.0,COOL WHITE,LED 3EA	1	SNA
8-1	DA96-01119A	ASSY LAMP LED	3EA,FR-4,150*12,WHITE,SMAW250-(H)03G,MAX199mA,DC12V,MIN140lx	1	SA
9	DA63-05431B	COVER LAMP	RS53000TC,GPPS,T2,TP BLUE	1	SA
10	DA67-04922A	CAP SENSOR	RS5300T,PP,HB,COOL WHITE	1	SA
11	DA63-08943A	GROMMET	BRR9000M,NBR,CAP I GROMMET	1	SA

Service Bom (SA: SERVICE AVAILABLE, SNA: SERVICE NOT AVAILABLE)

No	Code No.	Description	Spec.	Q'TY	SA/SNA
12	DA63-03788B	COVER-FIXER HOUSING	W07,GI-SGCC,T0.4	2	SA

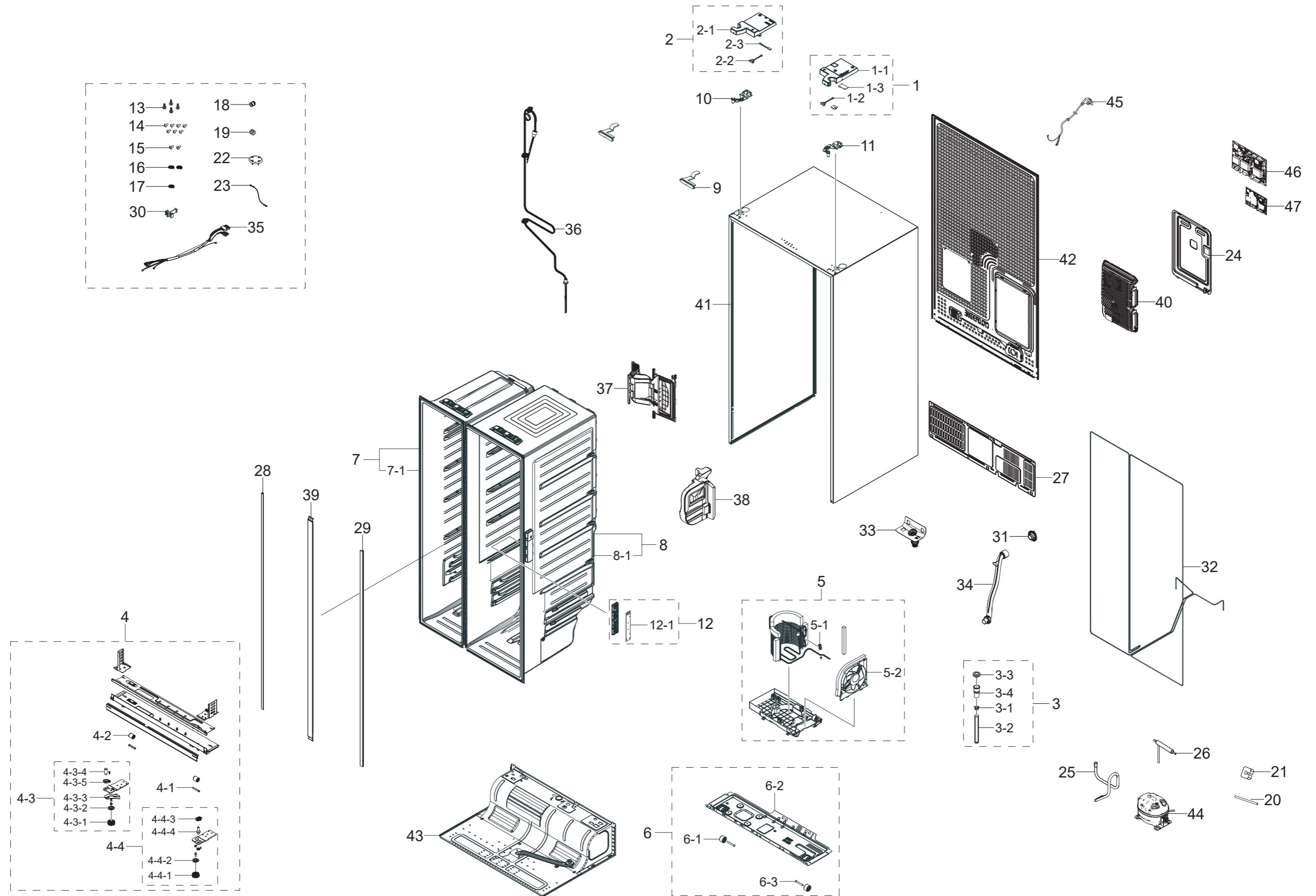
REFRIGERATOR



Service Bom (SA: SERVICE AVAILABLE, SNA: SERVICE NOT AVAILABLE)

No	Code No.	Description	Spec.	Q'TY	SA/SNA
1	DA97-20712A	ASSY COVER MULTI-REF	RS5300T	1	SA
1-1	DA32-00070S	SENSOR TEMP	DKST1329GW,SC41200-021A,L650,13.2kohm	1	SA
1-2	DA62-05389A	INSULATION DUCT-REF	RS5300T,PS FOAM,NATURAL	1	SNA
1-3	DA63-09697A	COVER MULTI-REF	RS5300T,PP,HB,COOL WHITE	1	SNA
2	DA97-20677A	ASSY CASE FILTER	RS5300T,110V FS	1	SA
2-1	DA63-08839B	FILTER-WATER	RF8000MC,PP,CARTRIDGE NSF53	1	SNA
2-2	DA63-09712A	COVER FILTER	RS5300T,HIPS,T2.5,COOL WHITE	1	SNA
2-3	DA97-13854D	ASSY TANK WATER-REF	RS5000RC,PP,T3.5,NATURAL	1	SNA
2-4	DA61-10404A	GUIDE HOSE	PP,HB,BJ750,COOL WHITE,L	5	SA
2-5	DA62-01368F	PIPE-WATER LINE	Dispenser Model,PE,OD6.35,T1,PE-RT,ORANGE	0.91	SA
2-6	DA62-04027C	VALVE WATER	AC110~127V,230,2WAY,L-Wire,1,2,NO	1	SNA
2-7	DA61-13854A	CASE FILTER-OUT	RS5000T,HIPS,T2.5,COOL WHITE,CASE FILTER SUB	1	SNA
3	DA97-19899B	ASSY CASE LAMP	RS5000RC,T2,COOL WHITE,LED 5EA	1	SNA
3-1	DA96-01119B	ASSY LAMP LED	5,FR-4,150*12,WHITE,SMAW250-(H)03G,288mA~352mA,DC12V,MIN 260lx	1	SA
4	DA63-05431B	COVER LAMP	RS53000TC,GPPS,T2,TP BLUE	1	SA
5	DA97-20631A	ASSY CASE VEG-UP	RS5300T	1	SA
6	DA97-20633A	ASSY CASE VEG-LOW	RS5300T,DISP	1	SA
7	DA97-20647A	ASSY SHELF-REF	RS5300T	4	SA

■ CABINET



Service Bom (SA: SERVICE AVAILABLE, SNA: SERVICE NOT AVAILABLE)

No	Code No.	Description	Spec.	QTY	SA/SNA
1	DA97-20734A	ASSY COVER HINGE-REF	RS53000TC,ASSY,T2.3,INOX GRA	1	SA
1-1	DA63-09699A	COVER HINGE-REF	RS53000TC,ABS,T2.3,INOX GRAY	1	SA
1-2	DA34-00043A	SWITCH REED	UL1007 AWG 22,100mm,DEM1-B5034,13mm,25mm,100mm	1	SA
1-3	DA92-00817A	ASSY MODULE	BUZZER PBA,RB6000K	1	SA
2	DA97-20733A	ASSY COVER HINGE-FRE	RS53000TC,ASSY,T2.3,INOX GRA	1	SA
2-1	DA63-09703A	COVER HINGE-FRE	RS53000TC,ABS,T2.3,INOX GRAY	1	SA
2-2	DA34-00043A	SWITCH REED	UL1007 AWG 22,100mm,DEM1-B5034,13mm,25mm,100mm	1	SA
2-3	DA32-00074A	SENSOR HUMIDITY	5V,0~100%RH,REF	1	SA
3	DA97-04049E	ASSY CAP-DRAIN	AW3	1	SA
3-1	DA61-04773A	FIXER-DRAIN	AW-PJT,HIPS,-,NATURAL,DA61-02443A	1	SNA
3-2	DA62-01266B	TUBE PVC	AW3,PVC,OD19.4,L155,BLACK	1	SA
3-3	DA63-02761A	GROMMET-DRAIN	RS18RK,NBR,-,-,-,-,BLK,-	1	SA
3-4	DA67-01301A	CAP-DRAIN	AW4,HIPS,HB,S834S1,NATURAL	1	SNA
4	DA97-20754A	ASSY CABI-BOTTOM FRONT	RS5300T/TC,URBAN SILVER	1	SNA
4-1	DA61-01920A	FIXER-CASTER	ZPC2,SWRCH10A,OD8.0,L58	2	SA
4-2	DA61-04702A	CASTER-FRONT	AW-PJT,PP,BLACK,PP(M/B 0103-002777),+TPE, BJ750+S700B	2	SA
4-3	DA97-14046B	ASSY HINGE-LOW LEFT	FSR CD,DISPENSER	1	SA
4-3-1	DA61-07972B	FOOT-FRONT	POLARIS,PP,BLACK,INSERT NUT, PP_S,0103-007539,Y	1	SA
4-3-2	DA61-07973B	FOOT	POLARIS,PP,BLACK,PP_S	1	SA
4-3-3	DA63-08223A	COVER GUIDE HOSE	FSR CD/FS,GI-SGCC,T0.8	1	SNA
4-3-4	DA66-00716D	SHAFT HINGE-LOW LEFT	FSR CD,SM45C,OD18.3,ID15.0	1	SNA
4-3-5	DA66-01127A	CAM RISER-FRE LOW	FSR CD,PA66,BLACK,KN333G15,A NNEALING	1	SA
4-4	DA97-20700A	ASSY HINGE-LOW RIGHT	RS5300T,T7	1	SA
4-4-1	DA61-07972B	FOOT-FRONT	POLARIS,PP,BLACK,INSERT NUT, PP_S,0103-007539,Y	1	SA
4-4-2	DA61-07973B	FOOT	POLARIS,PP,BLACK,PP_S	1	SA
4-4-3	DA66-00891A	CAM-HINGE RISER REF LOW	MONTES ALPHA,PA66,BLACK,KN 333G15,ANNEALING	1	SA
4-4-4	DA66-00911A	SHAFT-HINGE LOW REF	POLARIS,SWCH10A,Zn PLATING	1	SA
5	DA97-20718A	ASSY TRAY DRAIN WATER	RS5300T,R-600A only, PFC-B	1	SA
5-1	DA63-07323A	GROMMET-IMMERSION PIPE B	ROMANEE CONTI,NBR,BLACK	1	SA
5-2	DA97-20025A	ASSY SUPPORT-CIRCUIT MOTOR	NW2-FDR,C160N,Molex Connector	1	SA
6	DA97-12557A	ASSY CHASSIS-COMP	AW4	1	SA
6-1	DA61-04703A	CASTER-REAR	AW-PJT,PP,BLACK,PP M/B(0103-002777),+TPE, BJ750	2	SNA
6-2	DA64-04152E	CHASSIS COMP	AW2-14,GI-SGCC,T1.4	1	SNA

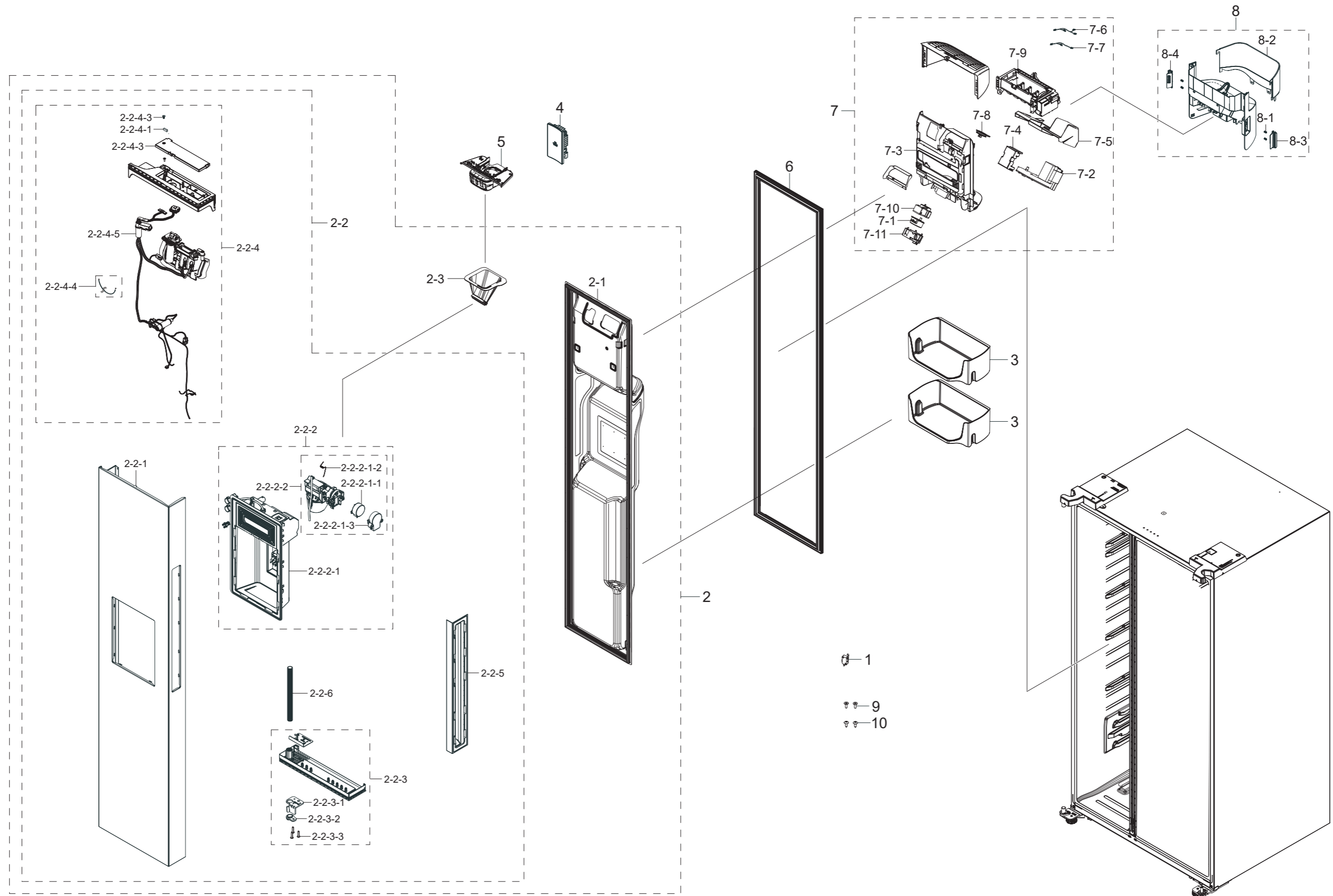
Service Bom (SA: SERVICE AVAILABLE, SNA: SERVICE NOT AVAILABLE)

No	Code No.	Description	Spec.	QTY	SA/SNA
6-3	DA66-00649B	SHAFT-CASTER	POLARIS,MSWR10,L44,ID8.0,OD11,ZPC2	2	SA
7	DA94-05114B	ASSY LINER-FRE	RS5300T,FS	1	SNA
7-1	DA61-13809A	LINER-FRE	RS5300,ABS,-,COOL WHITE,0103-002817	1	SA
8	DA94-05115C	ASSY LINER-REF	RS5300T,FS	1	SNA
8-1	DA61-13810B	LINER-REF	RS5300T,ABS,-,COOL WHITE,ADA+Disp.,0103-002817	1	SNA
9	DA61-04932A	FIXER HINGE-UPP	AW1-12,GI-SGCC,T3	2	SA
10	DA61-13824A	HINGE-UP LEFT	RS5300TC,PO-SPHC,T3	1	SA
11	DA61-13818A	HINGE-UP RIGHT	RS5300TC,PO-SPHC,T3	1	SA
12	DA97-19962X	ASSY COVER CONTROL	RS5300T/TC,DISP	1	SA
12-1	DA92-01137C	ASSY MODULE	DISPLAY,RS5000R,209*36,6K EY,TACT SW,ADA,Dispenser or Flexzone,Standard	1	SA
13	DA60-10123E	BOLT-HEX	M6,L19,ZPC(WHT),SWRCH18A,HH Head	4	SNA
14	6002-000217	SCREW-TAPPING	TH,+,NO,1,M4,L8,ZPC(WHT),SW RCH18A	7	SNA
15	6006-001170	SCREW-TAPPING	TH,+,WT,2,M4,L10,ZPC(WHT),S WRCH18A	2	SNA
16	DA02-00202A	SOLDER RING	ID6.4,91.75Cu/6.25P/2.0Ag,Number of coils : 4	2	SNA
17	DA02-00202G	SOLDER RING	0.6,OD:4.3,91.75Cu/6.25P/2.0Ag,Number of coils : 6	1	SNA
18	DA60-00280A	FITTING-LOKRING 33	SUM23,33, 11SMnPb30K	1	SA
19	DA60-00281A	FITTING LOKRING	SUM23,ID5.02,11SMnPb30K,St 56	1	SA
20	DA73-10190Y	PIPE CONNECT-DISC	RF8000MC,Cu,OD6.35,T0.65,C1220T,R-600a Only	1	SA
21	DA62-04105A	SEAL-DRYER	PE FOAM,T20,W50,L50	1	SNA
22	DA63-04598B	COVER-URETHANE	SSEDA/AW-PJT,ABS,NATURAL,5VA	1	SA
23	DA39-00429D	ASSY WIRE HARNESS-EARTH	EARTH,ALL,,,,,FREE VOLT,UL+IEC,UL,,,,,120mm,1,ST710489-3*2,,,,,	1	SA
24	DA97-08442A	ASSY COVER PCB-PANEL	AW3	1	SA
25	DA97-20814A	ASSY PIPE CONNECT	RS5300,TUBE R600a, PMS #185C (UL) COLOR,C1220T,-,-	1	SA
26	DA62-04309F	DRYER	C1220T-H,L137,SINGLE MOUTH,UL Marking (PMS185C),OD15.8,9g	1	SA
27	DA97-12749B	ASSY COVER COMP	POLARIS,GI-SGCC,T0.25	1	SA
28	DA61-01376J	REINF CABI-FRONT LEFT	SBS ALL,HGI-SGHC,-,-	1	SNA
29	DA61-01835J	REINF CABI-FRONT RIGHT	SBS ALL,HGI-SGHC,T1.4,W22,L1150,-	1	SNA

Service Bom (SA: SERVICE AVAILABLE, SNA: SERVICE NOT AVAILABLE)

No	Code No.	Description	Spec.	QTY	SA/SNA
30	DA61-13371A	FIXER	RH9000,PVC,T1.5,CABI MID FRONT(FLAT)	1	SNA
31	DA61-13351A	FIXER HOSE	RS5000RC,PP,T3,MU30HP,Flame Retardant	1	SNA
32	DA97-20790A	ASSY PIPE HOT	RS5300TFS,R-600A,-,-,-	1	SNA
33	DA97-20722A	ASSY DRAIN HOSE-FRE	RS5300T,ASSY,NATURAL	1	SNA
34	DA61-13335A	GUIDE HOSE-REAR	RS5000RC,HDPE,T1.5,YR5100B ,NATURAL,SCRAP	1	SNA
35	DA96-01388E	ASSY WIRE HARNESS-MAIN	RS5300T,F/S,DISP,SBS,6,YES,YES,YES,100 ~127VAC,UL +LEC,UL,UL,BACK	1	SNA
36	DA97-20730B	ASSY PIPE SUCTION	RS5300T,CU,1CAPI,C1220T,-,-	1	SNA
37	DA97-20715A	ASSY DUCT-UP	RS5300T	1	SNA
38	DA97-20716A	ASSY DUCT-LOW	RS5300T	1	SNA
39	DA97-07707J	ASSY CABI FRAME-MIDDLE FRONT	RS5000RC,0.6,THAI-SILVER	1	SNA
40	DA97-20561A	ASSY CASE PBA-MAIN	AW F/L,1-BOARD,SEMP	1	SNA
41	DA97-20738A	ASSY CABI FRAME	RS5300T,GI,T0.4,URBAN SILVER	1	SNA
42	DA97-20648A	ASSY CABI FRAME-REAR	RS5300T	1	SNA
43	DA97-20745B	ASSY CABI-BOTTOM REAR	RS5300T / VALUE,F/S, NO ICE MAKER	1	SNA
44	NF54M5151ARTT3	COMP		1	
45	3903-001003	POWER CORD-AT	SPT-3 3x18AWG 105C,BLK,US3F-1,125V/15A,Fuse N,SCREW1,2P Housing(W to W),L1700,L1500,20/100/100/200,USA,UL/CSA,Label Y	1	SA
46	DA92-01196J	ASSY PCB MAIN	RS5300T,165x242,110V,12V,5V, FS, Dispenser, AHAM, F,Y, SMPS,Standard	1	SA
47	DA92-00945A	ASSY MODULE	PBA-FUSE BLOCK,BRZ9000M,30*55, 4.0A	1	SA

■ DOOR FRE



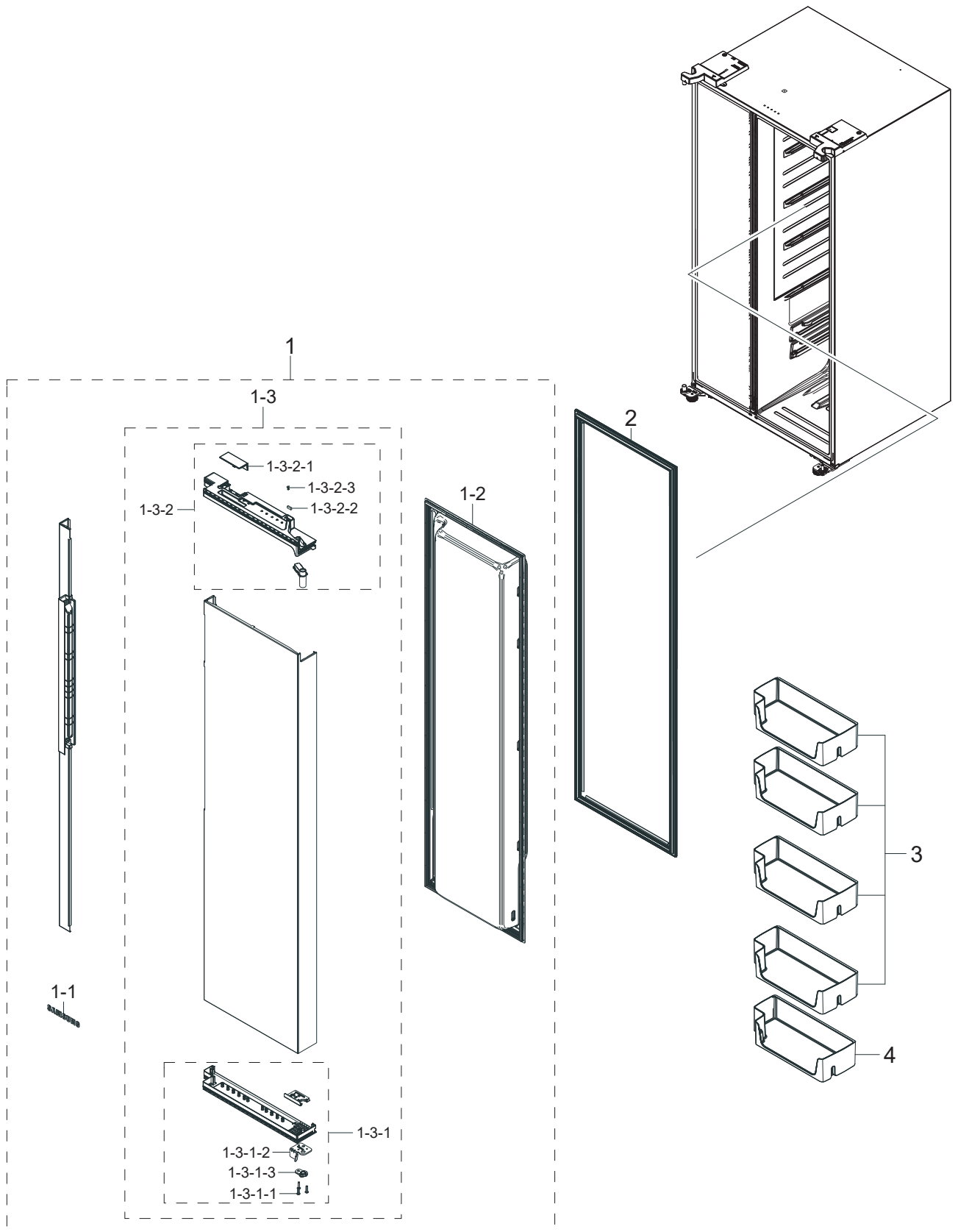
Service Bom (SA: SERVICE AVAILABLE, SNA: SERVICE NOT AVAILABLE)

No	Code No.	Description	Spec.	Q'TY	SA/SNA
1	3405-001117	SWITCH-MICRO	125/250VAC,1A,80gf,SPST-NO LEVER,T105,BK	1	SNA
2	DA91-05228B	ASSY DOOR FOAM-FRE	RS5300T,MATT DOI METAL,DISP	1	SA
2-1	DA64-06179A	PANEL-FRE	RS5300T,ABS,T1.5,W1250,L1980,QU-0191S,COOL WHITE,DISP Y	1	SA
2-2	DA97-20764F	ASSY PLATE DOOR-FRE	RS5300T,MATT DOI METAL,DISP	1	SNA
2-2-1	DA61-13831M	PLATE DOOR-FRE	RS5300T,STS430J1L,T0.5,BLACK DOI, DISP, STSHC, BK9010, 1C1B	1	SNA
2-2-2	DA97-20772D	ASSY CASE DISPENSER	RS5300T, DARK GRAY	1	SNA
2-2-2-1	DA61-13829E	CASE DISPENSER	RS5000T,ABS,T3, DARK GRAY	1	SA
2-2-2-2	DA97-19028B	ASSY CASE ICE ROUTE	RS8000NC,120V	1	SA
2-2-2-2-1	DA31-00079B	MOTOR GEARED AC DISP	MVCC18AR19/MCCC182AA,18,120V,40	1	SNA
2-2-2-2-2	DA61-01914A	SPRING ETC-COVER ICE ROUTE	QUEEN,STS304,ID5.5,OD7.5	1	SA
2-2-2-2-3	DA63-07654A	COVER MOTOR	FSR,HIPS,HB,NATURAL	1	SNA
2-2-3	DA97-20778A	ASSY CAP DOOR-FRE LOW	RS5300T,BLACK	1	SNA
2-2-3-1	DA61-07527A	STOPPER-DOOR FRE LOW	POLARIS,PO-SPHC,T4.0	1	SA
2-2-3-2	DA66-00558B	CAM HINGE-RISER UPP L	POLARIS,PA66,BLACK,ANNEALING	1	SA
2-2-3-3	6001-001377	SCREW-MACHINE	TH,+,M5,L25,ZPC(WHT),SWRCH18A,FP	3	SNA
2-2-4	DA97-20779B	ASSY CAP DOOR-FRE UP	RS5300T,INOXGRAY,DISP	1	SNA
2-2-4-1	DA61-03769A	MAGNET-A	HERMES,FERRITE,1600Gauss	1	SA
2-2-4-2	DA63-05327D	COVER-CAP DOOR FRE	SSEDA,HIPS,HB,NATURAL	1	SA
2-2-4-3	DA67-02795B	CAP-SHAFT HOLE	AW-PJT,PP,T4,HB,BJ750,NATURAL	1	SA
2-2-4-4	DA97-19469B	ASSY PIPE WATER LINE	RS5000,PE-RT,ORANGE,1/4inch,2410mm,-,-,-	1	SNA
2-2-4-5	DA96-01389B	ASSY WIRE HARNESS-DOOR	RS5300T,DISP,IN-DOOR IM,SBS,4,YES,YES,YES,100~127VAC,UL+IEC,UL,UL,NA,1, DA63-05241A,FRE DOOR	1	SNA
2-2-5	DA97-20161C	ASSY HANDLE-FRE	RS5000RC,BLACK,ASSY, RECESS HANDLE	1	SNA
2-2-6	DA73-10469L	PIPE-WATER	SBS,2007GVE,PVC,GRAY	1	SNA
2-3	DA97-20160B	ASSY GUIDE ICE ROUTE	RS5000RC,ASSY	1	SNA
3	DA97-20641A	ASSY GUARD-FRE UP	RS5300T/TC,GPPS,T3,TP BLUE	2	SA
4	DA97-19030A	ASSY LEVER DISPENSER	RS5300T,BLACK	1	SNA
5	DA97-19031H	ASSY COVER DISPENSER	RS5300,DARK GRAY	1	SA
6	DA97-20743B	ASSY GASKET-FRE	RS5300T,INNER GRAY	1	SA
7	DA97-19965C	ASSY CASE AUGER MOTOR	RS5000RC,INDOOR-PP ICE MAKER, 110V	1	SA
7-1	DA31-00079B	MOTOR GEARED AC DISP	MVCC18AR19/MCCC182AA,18,120V,40	1	SNA
7-11	DA63-04356B	COVER MOTOR-FRONT	GUGGENHEIM,HIPS,NATURAL	1	SNA

Service Bom (SA: SERVICE AVAILABLE, SNA: SERVICE NOT AVAILABLE)

No	Code No.	Description	Spec.	QTY	SA/SNA
7-2	DA31-00210D	MOTOR GEARED-AUGER	ISG-3245SSA/R / ORG-4501Y1,AC110-127V,2.1A,17.3rpm,2.1A,80/55°C T45,CCW, In-Door(Wide), T/P	1	SNA
7-3	DA61-13325A	SUPPORT CASE AUGER	RS5000RC,ABS,T2.5,HG-0760GP,COOL WHITE	1	SNA
7-4	DA63-05515A	COVER-MOTOR AUGER COIL	GGH,ABS,NATURAL	1	SNA
7-5	DA63-09324A	COVER CASE AUGER	RS8000NC,HIPS,T2.5,HB,NATURAL	1	SA
7-6	DA96-01037D	ASSY WIRE HARNESS-AUGER	ALL,AUGER(NO BUCKET S/W),ALL,YES,YES,YES,FREE VOLT,UL+IEC,UL,UL	1	SA
7-7	DA97-00151B	SWITCH REED	UL1007 AWG 22,230,35151-0210,2.5,5,230	1	SNA
7-8	DA97-11248A	ASSY-CAM LEVER CUBE	INDOOR	1	SA
7-9	DA97-19010A	ASSY ICE MAKER-MECH	RS6500KC,12V,INDOOR	1	SA
7-10	DA63-01412B	COVER-MOTOR GEARED	GUGGENHEIM,HIPS,NATURAL	1	SNA
8	DA97-19968C	ASSY TRAY ICE	RS5000RC,TL,INDOOR	1	SA
8-1	DA61-04378A	SPRING ETC-BUCKET LEVER	GUGGENHEIM,STS304 ,D0.7,4,5.4,10,6,-,-,-	4	SNA
8-2	DA64-05918A	WINDOW BUCKET	RS5000RC,PCTG,T4,W296,L115,HB,T90 G,NATURAL,TRANSPARENT	1	SNA
8-3	DA66-00587A	LEVER-BUCKET L	GUGGENHEIM,ABS,29.8,76.7,19.4,- ,COOL WHITE(SC02740R),-	1	SNA
8-4	DA66-00588A	LEVER-BUCKET R	GUGGENHEIM,ABS,29.8,77.2,19.4,COOL WHITE(SC02740R)	1	SNA
9	6002-001122	SCREW-TAPPING	FH,+,NO,1,M4,L14,ZPC(WHT),SWRCH 18A	2	SNA
10	6002-000471	SCREW-TAPPING	TH,+,1,M4,L12,PASS,STS304	2	SNA

■ DOOR REF



Service Bom (SA: SERVICE AVAILABLE, SNA: SERVICE NOT AVAILABLE)

No	Code No.	Description	Spec.	Q'TY	SA/ SNA
1	DA91-05229B	ASSY DOOR FOAM-REF	RS5300T,MATT DOI METAL,BASIC	1	SA
1-1	DA64-04021A	MASCOT	ALL,Ni,T0.06,L90	1	SA
1-2	DA64-06176A	PANEL-REF	RS5300T,ABS,T1.5,W1250,L1980,QU-0191S,COOL WHITE,BASIC	1	SA
1-3	DA97-20765C	ASSY PLATE DOOR-REF	RS5300T,MATT DOI METAL,BASIC	1	SNA
1-3-1	DA97-20776A	ASSY CAP DOOR-REF LOW	RS5300T,BLACK	1	SNA
1-3-1-1	6001-001377	SCREW-MACHINE	TH,+,M5,L25,ZPC(WHT),SWRCH18A,FP	3	SNA
1-3-1-2	DA61-07526A	STOPPER-DOOR REF LOW	POLARIS,PO-SPHC,T4.0	1	SA
1-3-1-3	DA66-00557A	CAM HINGE-RISER UPP R	GUGGENHEIM,PA66,BLACK	1	SA
1-3-2	DA97-20774B	ASSY CAP DOOR-REF UP	RS5300T,INOX GRAY	1	SNA
1-3-2-1	DA63-08449B	COVER LOCK	ABS,T2.5,BLACK	1	SA
1-3-2-2	DA61-03769A	MAGNET-A	HERMES,FERRITE,1600Gauss	1	SA
1-3-2-3	DA67-02795B	CAP-SHAFT HOLE	AW-PJT,PPT4,HB,BJ750,NATURAL	1	SA
2	DA97-20742B	ASSY GASKET-REF	RS5300T,INNER GRAY	1	SA
3	DA97-20638A	ASSY GUARD-REF UP	RS5300T/TC,GPPS,T3,TP BLUE	4	SA
4	DA97-20639A	ASSY GUARD-REF LOW	RS5300T,GPPS,T3,TP BLUE,F/S	1	SA