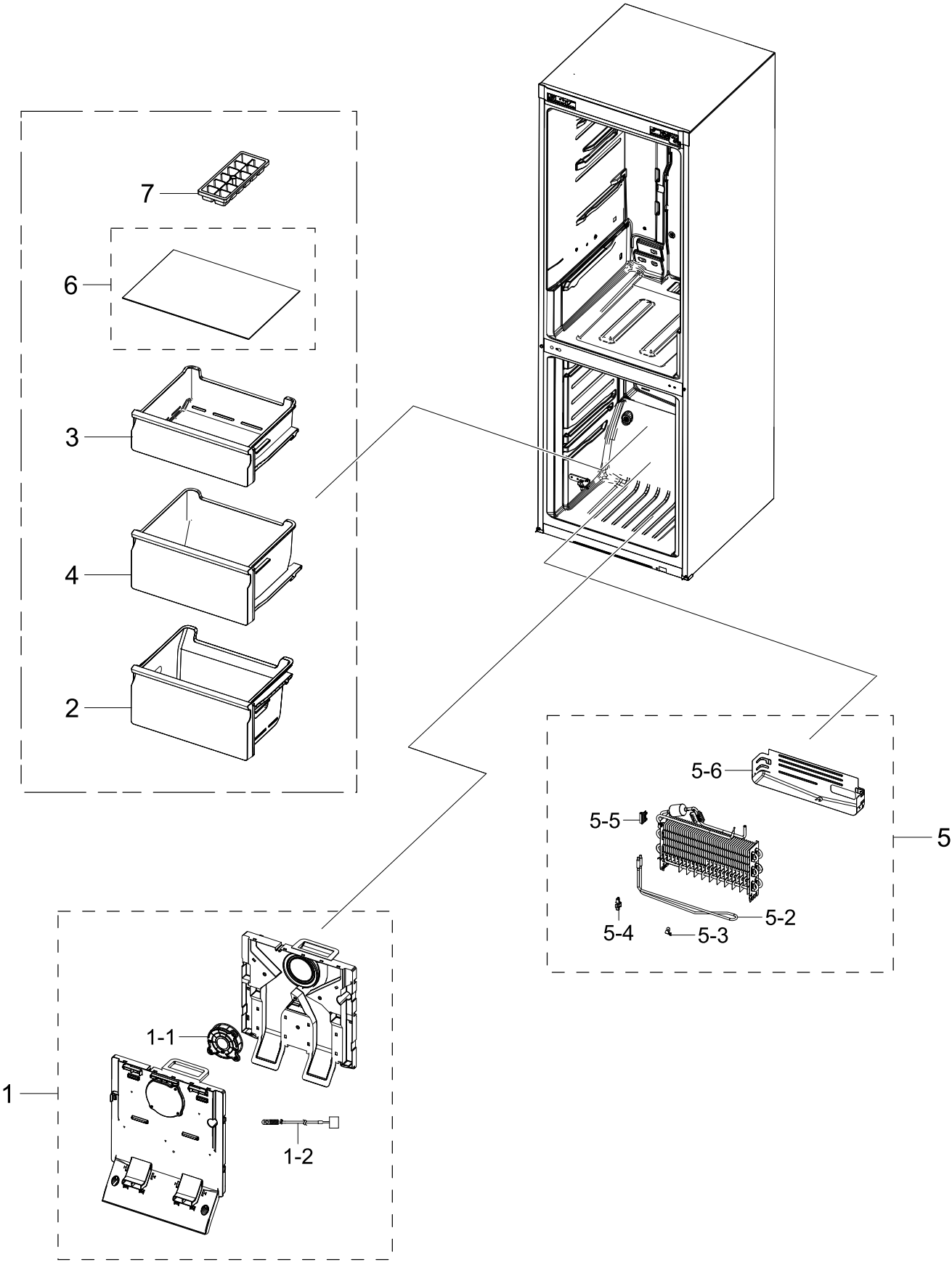


# 1. Freezer

## Exploded View

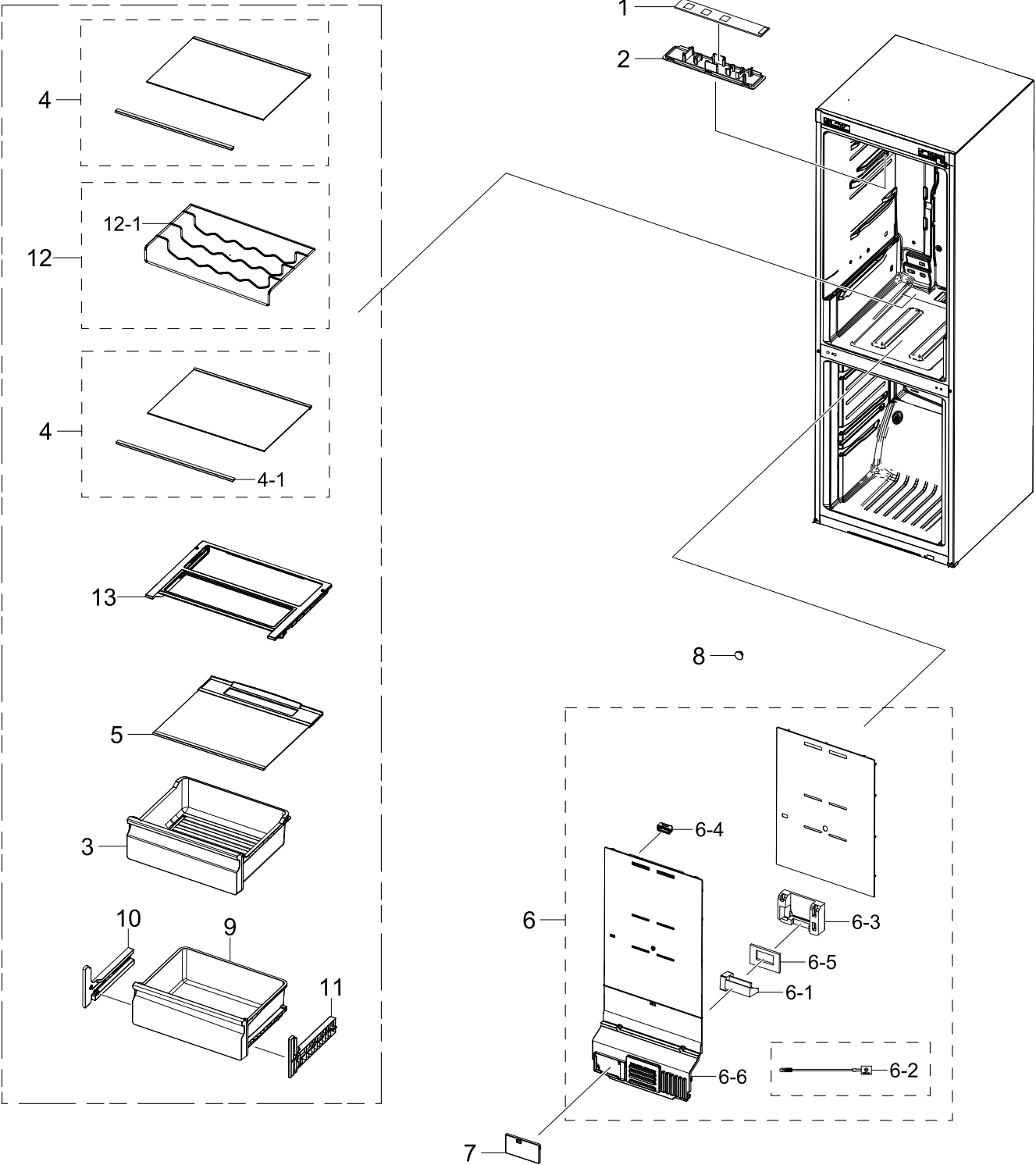


## Parts List

No.	Lvl.	Loc.	Material Code	Description & Specification	SNA	Qty.
1	2	M0303	DA97-19096A	ASSY COVER EVAP-FRE; 3050-BMF,No SEAL	SA	1
1-1	3		DA31-00334C	MOTOR BLDC FAN;12035GE-12M-YT,1775±7%,12	SA	1
1-2	3	A1018	DA32-10105X	SENSOR TEMP; PX-41C,502AT,DKST1329GW,QUEE	SA	1
2	2	G0267	DA97-13475C	ASSY TRAY-FRE LOW; RB6000KC	SA	1
3	2	M0483	DA97-13480C	ASSY TRAY-FRE UP; RB6000KC	SA	1
4	2		DA97-13472D	ASSY TRAY-FRE MIDDLE; RB6000KC	SA	1
5	2	A0163	DA96-01009C	ASSY EVAP-FRE; 3050-BMF	SA	1
5-2	3		DA47-00507A	HEATER METAL SHEATH; AC230V,3050 BMF, 352	SNA	1
5-3	3	M9010	DA61-03644A	PLATE-EVAP HEATER; AW-PJT,Al,T0.7	SA	1
5-4	3	G0205	DA61-07410A	FIXER-HEATER FRE; NW2,PP,NATURAL,BJ750	SA	1
5-5	3	A0744	DA61-07411A	FIXER-FUSE; NW2,PP,NATURAL,BJ750	SA	1
5-6	3	A0754	DA61-08936A	PLATE-DRAIN; 3050,GI-SGCC,T0.3	SA	1
6	2		DA97-15985A	ASSY SHELF GLASS-FRE; RL31/29,NO TRIMS	SA	1
7	2	A0120	DA67-40146B	TRAY ICE; SR-1500,PP,HB,COOL WHITE	SA	1

# 2. Refrigerator

## Exploded View

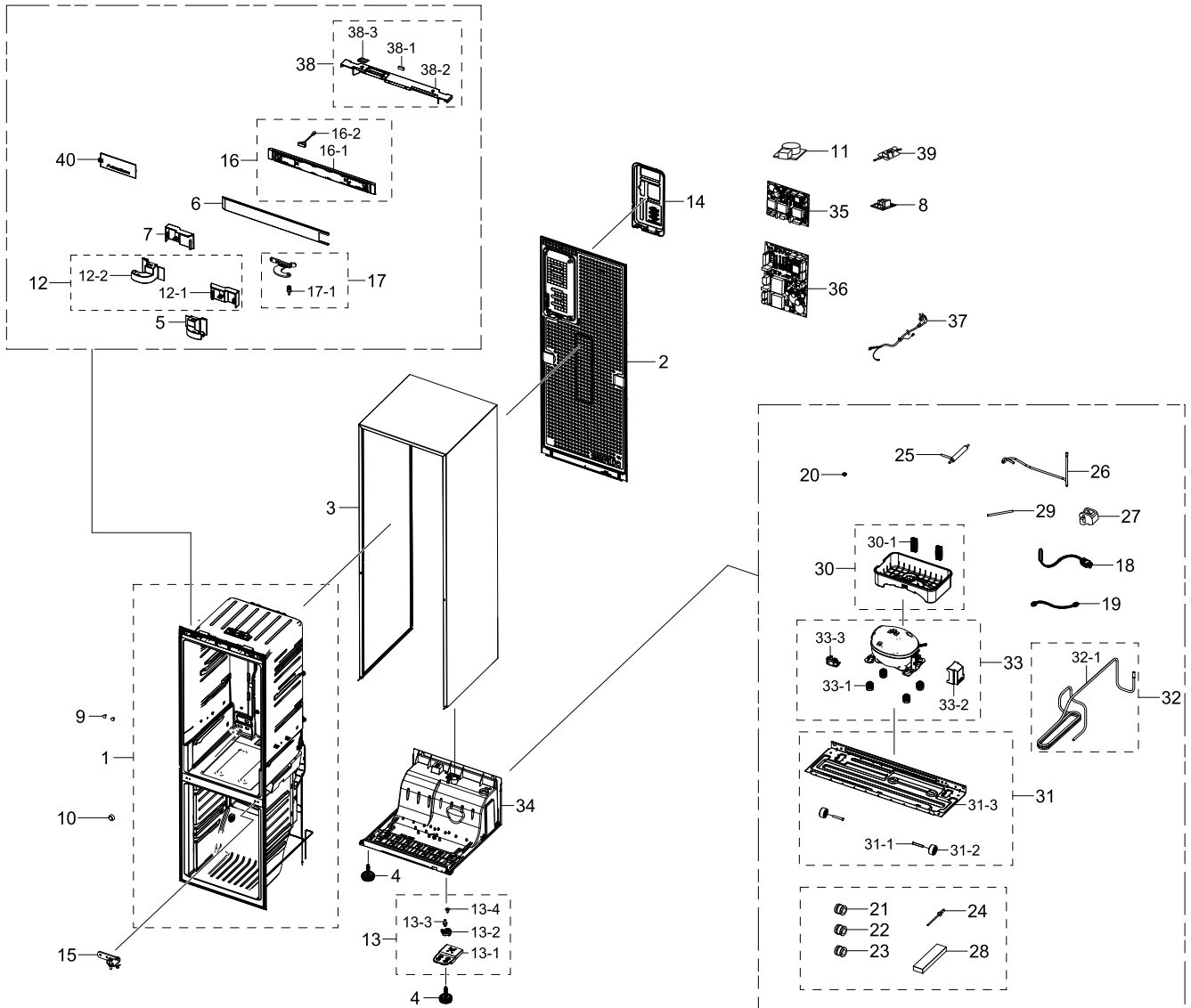


## Parts List

No.	Lvl.	Loc.	Material Code	Description & Specification	SNA	Qty.
1	2	G0090	DA41-00519R	ASSY LAMP LED; 3ea,CEM-1,65*10*1.6T,WHITE	SA	1
2	2	A0280	DA63-08570A	COVER LAMP; 3050-BMF,GPPS,T2,TP BLUE	SA	1
3	2	M0300	DA97-13474B	ASSY CASE VEG-LOW; RB6000KC	SA	1
4	2		DA97-13502G	ASSY SHELF GLASS-REF; RL31/29 BEST,SILVER	SA	2
4-1	3		DA64-04407A	TRIM SHELF-FRONT; RT320,HIPS,HIPS+SOFT UR	SA	2
5	2		DA97-13550C	ASSY SHELF VEG; RB5000,SILVER TRIM	SA	1
6	2	G0239	DA97-15458C	ASSY COVER MULTI-REF; RB5000J,PLATE COOLI	SA	1
6-1	3	G0242	DA31-00043F	MOTOR GEARED DC DAMPER; NSBA001TF1,DC 12V	SA	1
6-2	3	A1018	DA32-00011E	SENSOR TEMP;PX-41C,TD-PJT,-40~110 °C,5V,-	SA	1
6-3	3		DA62-04502A	INSULATION DUCT-REF B; RB5000J,PS FOAM,WH	SNA	1
6-4	3		DA61-10600A	FIXER SENSOR; NBR,GRAY	SA	1
6-5	3		DA62-04151B	SEAL INS MULTI-REF LOW; 3050_BMF,PE OPEN	SA	1
6-6	3	A0208	DA63-08032A	COVER DAMPER-REF; RB5000J,PP,HB,COOL WHIT	SNA	1
7	2		DA63-06337A	COVER-CONV MULTI; GRAND CRU,PP,HB,COOL WH	SA	1
8	2	A0270	DA67-30266K	CAP SCREW; A-TOP,PP,T1.5,HB,BJ750,COOL WH	SA	1
9	2		DA97-13473E	ASSY CASE VEG-UP; RB6000KC,ASSY, CARIBBEA	SA	1
10	2	M0110	DA97-13599A	ASSY RAIL-VEG L; 3050_BMF	SA	1
11	2	M0111	DA97-13598A	ASSY RAIL-VEG R; 3050_BMF	SA	1
12	2		DA97-15743C	ASSY RACK WINE; 3050	SNA	1
12-1	3		DA75-00313B	RACK WINE; 3050-BMF,-,MSWR,6,503,304,natu	SC	1
13	2		DA97-15410A	ASSY SHELF FOLDER; RB5000J	SA	1

# 3. Cabinet

## Exploded View



## Parts List

No.	Lvl.	Loc.	Material Code	Description & Specification	SNA	Qty.
1	2	A0137	DA94-02022P	ASSY LINER; RB6000KC,2010,A++,External di	SNA	1
2	2		DA97-15445A	ASSY CABI FRAME-REAR; RB5000J,A+++	SNA	1
3	2	A0004	DA97-15447P	ASSY CABI FRAME; RB6000KC,2010,SNOW WHITE	SNA	1
4	2	Z1128	DA61-07546B	LEG-FRONT; GRAND CRU,PP,BLACK,RM60,PP Scr	SA	2
5	2		DA63-08518B	COVER WIRE-HINGE RIGHT; RB6000K,ABS,HB,SN	SNA	1
6	2		DA63-08514B	COVER FRAME-TOP FRONT; RB6000K,ABS,T2,HB,	SA	1

## Exploded Views and Parts List

No.	Lvl.	Loc.	Material Code	Description & Specification	SNA	Qty.
7	2		DA67-04278B	CAP SPACE-DOOR LEFT; RB6000K,ABS,T2.5,HB,	SNA	1
8	2		DA92-00701A	ASSY PCB SUB; RELAY PBA,RB5000J, BK60,60.	SA	1
9	2		DA67-04049A	CAP HINGE-HOLE; BK,ABS,T2,HB,WT0048,SNOW	SA	2
10	2	A0270	DA67-30218R	CAP SCREW; PP,T1,HB,BJ750,SNOW WHITE,SNOW	SA	1
11	2		DA92-00817A	ASSY MODULE; BUZZER PBA,RB6000K	SA	1
12	2		DA91-04651E	ASSY INSTALL; RB6000K,SNOW WHITE, TRIMKIT	SA	1
12-1	3		DA67-04279B	CAP SPACE-DOOR RIGHT; RB6000K,ABS,T2.5,HB	SA	1
12-2	3		DA63-08515B	COVER WIRE-HINGE LEFT; RB6000K,ABS,HB,SNO	SNA	1
13	2	M0344	DA97-16898A	ASSY HINGE-LOW; RB6000K,TRIMKIT	SA	1
13-1	3	A0247	DA61-11204A	HINGE-LOW; RB6000KC,PO-SPHC,T4	SA	1
13-2	3		DA61-11202A	GUIDE-FRE; RB6000KC,PA66,HB,KN333G15,BLAC	SA	1
13-3	3	A0518	DA66-00385A	SHAFT-HINGE; CORE,SWRCH10A,L17,OD6,T6,ZPC	SA	1
13-4	3	A0848	DA81-01532A	SCREW-MACHINE; BH,+,M5,L12.7,ZPC(WHT),SWR	SA	1
14	2	M0306	DA97-13562A	ASSY COVER-PCB PANEL; 290, 310,GI,3050	SA	1
15	2		DA97-16899A	ASSY HINGE-MIDDLE; RB6000K,TRIMKIT	SA	1
16	2	A0904	DA97-16961B	ASSY COVER CONTROL-FRONT; RB6000K,SNOW WH	SNA	1
16-1	3		DA63-08521B	COVER CONTROL-FRONT; RB6000K,ABS,T2.5,HB,	SA	1
16-2	3	G0068	DA34-00043A	SWITCH REED; UL1007 AWG 22,100mm,DEM1-B50	SA	1
17	2		DA97-16897A	ASSY HINGE-UP; RB6000K,ZN-PLATING(ZPC3),T	SA	1
17-1	3	A0518	DA66-00385A	SHAFT-HINGE; CORE,SWRCH10A,L17,OD6,T6,ZPC	SA	1
18	2	A1018	DA32-10105F	SENSOR TEMP; 502AT,PX-41C,DKST1329GW,ACE,	SA	1
19	2	A0562	DA39-20389A	ASSY WIRE HARNESS-EARTH; EARTH,ALL,,,,,FR	SA	1
20	2		DA60-00018A	SCREW MACHINE; TH,+,M4,L12,PASS,STS304,1	SA	1
21	2		DA60-00279A	FITTING-LOKRING 16; SUM23,16, 11SMnPb30K	SA	1
22	2		DA60-00280A	FITTING-LOKRING 33; SUM23,33, 11SMnPb30K	SA	1

No.	Lvl.	Loc.	Material Code	Description & Specification	SNA	Qty.
23	2		DA60-00281A	FITTING LOKRING; SUM23,ID5.02,11SMnPb30K,	SA	1
24	2	A0328	DA60-90005A	FASTENER-RIVET; RR19,RR20,RR22,RR26,RT28,	SNA	1
25	2	A0669	DA62-04309C	DRYER; C1220T-H,L118,SINGLE MOUTH,For Cap	SA	1
26	2		DA62-05323A	PIPE CONNECT-SUCTION; 3050,Cu,OD6.35,T0.6	SA	1
27	2		DA63-08103A	GROMMET-PIPE; RB5000J,NBR,BLACK,3ROW	SA	1
28	2		DA72-60040W	SEAL-CUTT RUBBER; TD-PJT,RUBBER,BLACK,T5,	SA	1
29	2	A0523	DA73-10190U	PIPE-CONNECT DISC,B; ALL,Cu,C1220T,OD6.35	SA	1
30	2	A0749	DA97-13658A	ASSY TRAY-DRAIN WATER; 3050_LMF(RB29/31),	SA	1
30-1	3		DA63-08036B	GROMMET-LOW; PVC,GRAY	SA	2
31	2	A0526	DA97-14151A	ASSY CHASSIS COMP; 3050-PJT,GI-SGCC, T0.8	SA	1
31-1	3	A0861	DA60-90146A	PIN-CASTER; SR-289-429,MSWR10,L38,ZPC2	SA	2
31-2	3	A0527	DA61-06202A	CASTER-REAR; GRAND-CRU,PP,NATURAL	SA	2
31-3	3	A0526	DA97-13454A	ASSY CHASSIS COMP; 3050-PJT,T0.8,RB31	SC	1
32	2		DA97-15658A	ASSY PIPE IMMERGING; RB5000J,3ROW	SA	1
32-1	3		DA62-04554A	PIPE IMMERGING; RB5000J,TSW,3ROW, OD4.76,	SA	1
33	2		NC4MVA1ALP/TT1	CMP,COMP,REFRIGERATOR,R-600A; CMP,COMP,REFRIGERATOR,R-600A		1
33-1	3	Z1112	DA63-02617A	GROMMET COMP; USP05,EPDM,OD27.0,BLACK	SA	4
33-2	3	Z1032	DA63-06122A	COVER RELAY; MSV,MPPO,T2,BLACK,V-0	SA	1
33-3	3	A0575	DA34-00004D	RELAY PROTECTOR O/L; 4TM445PHBYY-82,BLDC,	SA	1
34	2		DA97-13563R	ASSY CABI-BOTTOM; 3050, 3050-2M,A+,A++,No	SNA	1
35	1		DA92-00228F	ASSY PCB INVERTER; INVERTER,ARAM,148*98.5	SA	1
36	1		DA94-03375A	ASSY PCB EEPROM; 0X25,D603, D606,RB6000K,	SA	1
37	2	A0273	3903-001015	POWER CORD-AT; H05VV-F 3x0.75mm2,BLK,EU3F	SA	1
38	2		DA97-17055B	ASSY COVER WIRE DOOR; RB6000K,SNOW WHITE,	SA	1
38-1	3	A0534	DA61-03769B	MAGNET; SVETA,FERRITE,1600Gauss	SA	1
38-2	3		DA63-08506B	COVER WIRE-DOOR; RB6000K,ABS,T2.5,HB,SNOW	SA	1
38-3	3		DB92-03769A	ASSY MODULE; ASSY GENDER,ASSY GENDER, CEM	SA	1

Exploded Views and Parts List

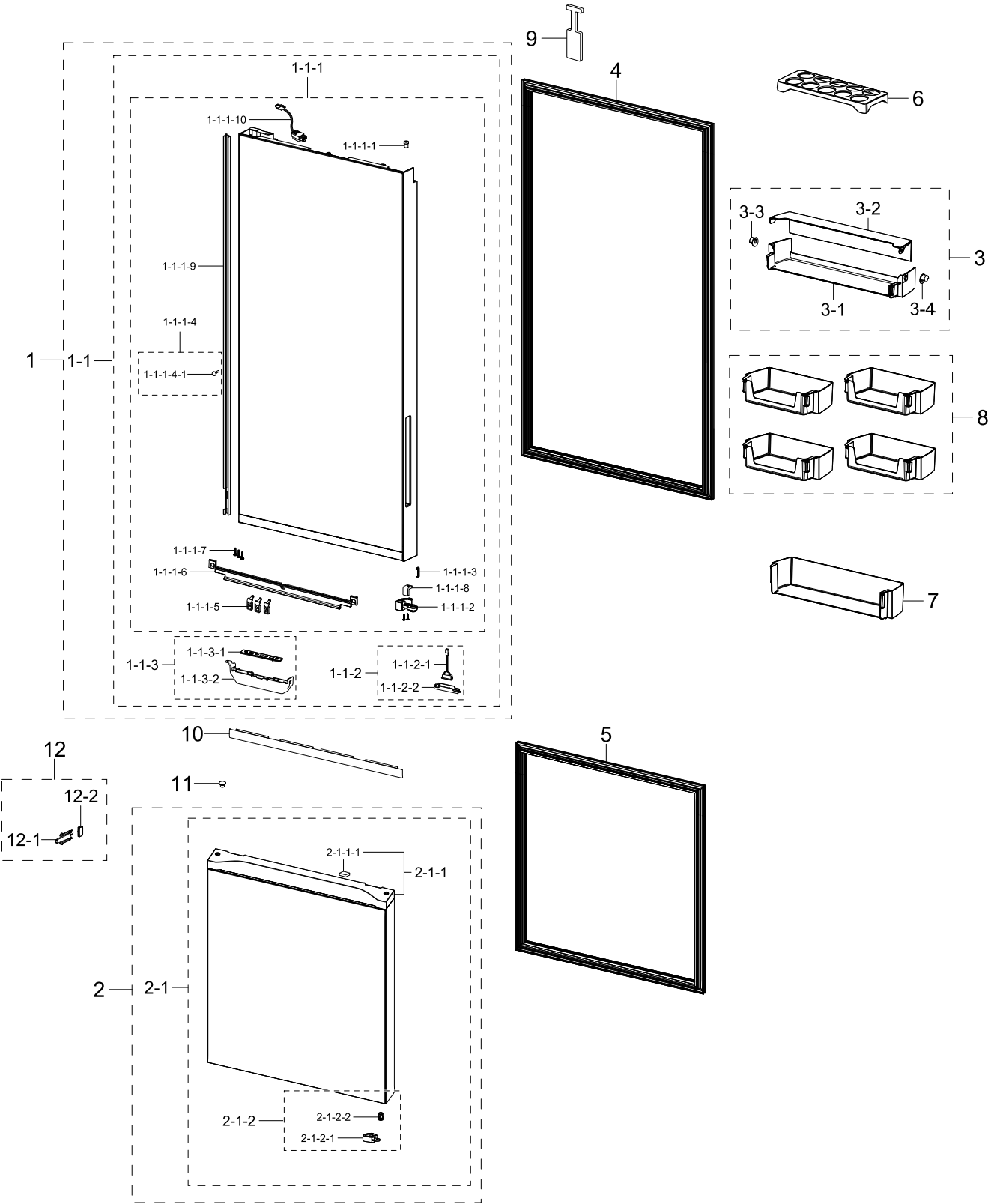
---

No.	Lvl.	Loc.	Material Code	Description & Specification	SNA	Qty.
39	2	M0489	DA27-00052A	COIL FILTER; 22mH,82*60,AC 3A,0.47uF / 0.	SA	1
40	2		DA63-08524B	COVER HOUSING; RB6000K,ABS,T2,HB,SNOW WHI	SA	1



# 4. Door

## Exploded View



## Parts List

No.	Lvl.	Loc.	Material Code	Description & Specification	SNA	Qty.
1	2	Z1100	DA91-04621C	ASSY DOOR FOAM-REF; RB6000KC,2010,EASY HA	SA	1
1-1	3		DA91-04653C	ASSY DOOR FRAME-REF; RB6000KC,2010,CLASSI	SNA	1
1-1-1	4		DA91-04666B	ASSY GLASS DOOR-REF UP; RB6000K,CLASSIC W	SNA	1
1-1-1-1	5	A0827	DA63-08059A	GROMMET HINGE; BK65,60,PA66,BLACK	SA	1
1-1-1-2	5		DA66-01213A	LEVER AUTO CLOSE; RB6000KC,POM,K300,BK000	SA	1
1-1-1-3	5		DA67-04287B	CAP HANDLE; RB6000K,SI,HB,SH0150U,SNOW WH	SA	1
1-1-1-4	5		DA91-04940B	ASSY DOOR FRAME-REF; WHITE,SUB ASSY	SNA	1
1-1-1-4	16	M2002	DA63-40167A	GROMMET-COVER CHIL; SI,L16,WHITE	SA	2
1-1-1-5	5		DA63-05097A	GROMMET-HANDLE EASY; SVETA-PJT,POM,NATURA	SA	3
1-1-1-6	5		DA64-03770B	HANDLE-EASY; SVETA-PJT,BMC,SNOW WHITE(SC-	SA	1
1-1-1-7	5	G0412	6002-000524	SCREW-TAPPING; TH,+,NO,2S,M4,L20,ZPC(WHT)	SA	3
1-1-1-8	5	A0640	DA61-11193A	STOPPER DOOR; RB6000KC,PO-SPHC,T4.0	SA	1
1-1-1-9	5		DA61-11190B	SUPPORT PANEL-REF LEFT; RB6000K,ABS,HG-07	SA	1
1-1-1-10	4		DA96-01184A	ASSY WIRE HARNESS-DOOR; RB6000K,Dongle,7S	SNA	1
1-1-2	4		DA97-20721B	ASSY COVER SWITCH; RB6000KC,SNOW WHITE	SA	1
1-1-2-1	5		DA34-00043J	SWITCH REED; UL1007 AWG 22,50mm	SA	1
1-1-2-2	5	G0271	DA67-02385A	CAP DOOR SWITCH; SVETA-PJT,PP,T1.5,HB,BJ7	SA	1
1-1-3	4		DA97-20723A	ASSY COVER LAMP-REF; RB6000KC,SUB ASSY	SA	1
1-1-3-1	5		DA96-00392F	ASSY LAMP LED; 4ea,CEM-1,83*10,ICEBLUE,SM	SA	1
1-1-3-2	5		DA63-08523A	COVER LAMP-REF LOW; RB6000KC,PMMA,WHITE	SA	1
2	2	M0063	DA91-04623C	ASSY DOOR FOAM-FRE; RB6000KC,RECESS,1L,TR	SA	1
2-1	3		DA91-04654B	ASSY DOOR FRAME-FRE; RB6000KC,CLASSIC WHI	SNA	1
2-1-1	4		DA97-17004B	ASSY CAP DOOR-FRE UP; RB6000KC,SNOW WHITE	SNA	1
2-1-1-1	5	A0534	DA61-03769B	MAGNET; SVETA,FERRITE,1600Gauss	SA	1
2-1-2	4		DA91-04667B	ASSY GLASS DOOR-FRE; RB600K,CLASSIC WHITE	SNA	1

No.	Lvl.	Loc.	Material Code	Description & Specification	SNA	Qty.
2-1-2-1	5		DA66-01011B	LEVER-AUTO CLOSE; 3050PJ,POM,EBONY BLACK,	SA	1
2-1-2-2	5	A0827	DA63-08059A	GROMMET HINGE; BK65,60,PA66,BLACK	SA	1
3	2	A0636	DA97-15734D	ASSY GUARD DAIRY; RB6000,CARIBBEAN BLUE,HO	SA	1
3-1	3	A0155	DA63-07404B	GUARD-DAIRY; RB6000,GPPS,T2.5,CARIBBEAN B	SNA	1
3-2	4		DA63-08119C	COVER DAIRY; RB6000,GPPS,T2.5,CARIBBEAN B	SNA	1
3-3	3		DA67-02920A	CAP-HINGE DAIRY R; HERMES,POM,K300,NATURA	SA	1
3-4	3		DA67-02921A	CAP-HINGE DAIRY L; HERMES,POM,K300,NATURA	SA	1
4	2		DA97-19053R	ASSY GASKET-REF; 3050,GRAY,NORMAL,L1103 W	SA	1
5	2		DA97-19053G	ASSY GASKET-FRE; 3050,GRAY,NORMAL,W539.5,	SA	1
6	2	A0656	DA63-06221B	TRAY EGG; RB6000,GPPS,T2.5,CARIBBEAN BLUE	SA	1
7	3	A0151	DA63-08118C	GUARD BOTTLE; RB6000,GPPS,T2.5,CARIBBEAN	SA	1
8	3	A0153	DA63-08117C	GUARD VARIETY; RB6000,GPPS,T2.5,CARIBBEAN	SA	4
9	2		DA41-00663C	ASSY MODULE; 7-SEG, MATRIX,RB6000K,WHITE	SA	1
10	2		DA64-05104A	HANDLE DECORATION; RB6000KC,ABS,BX64128,I	SA	1
11	2		DA67-04054B	CAP HINGE; BK PJT,ABS,T1.2,HB,HG-0760GP,S	SA	1
12	2		DA97-17142B	ASSY HANDLE-B; RB6000K,WHITE,TRIM KIT	SA	1
12-1	3		DA64-05108B	HANDLE-B; RB6000K,POM,K300,NATURAL	SA	1
12-2	3		DA63-08588B	GROMMET-HANDLE; RB6000K,SI,SNOW WHITE,TRI	SA	1