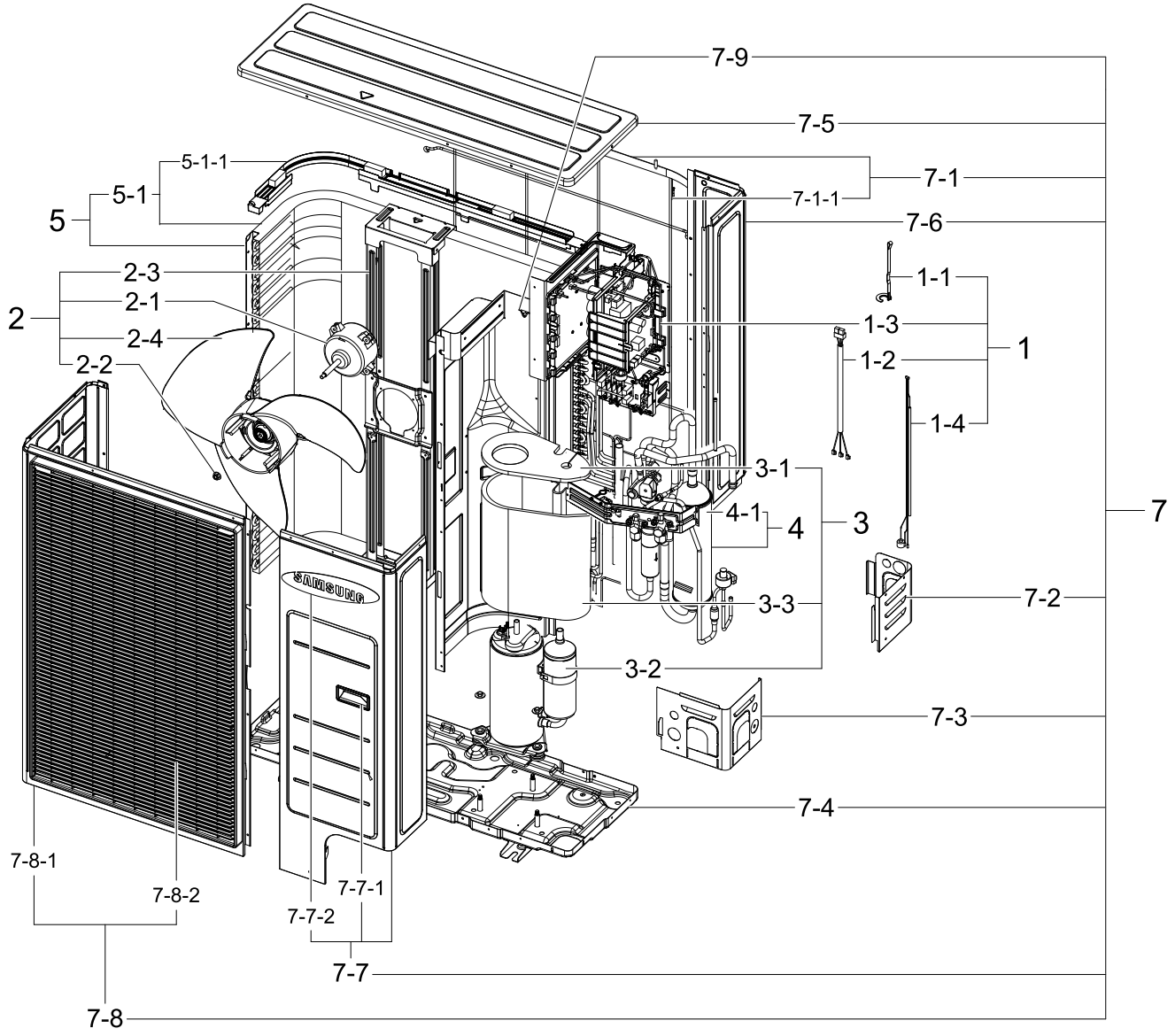


1. AC100HCADKH/EU

Exploded View



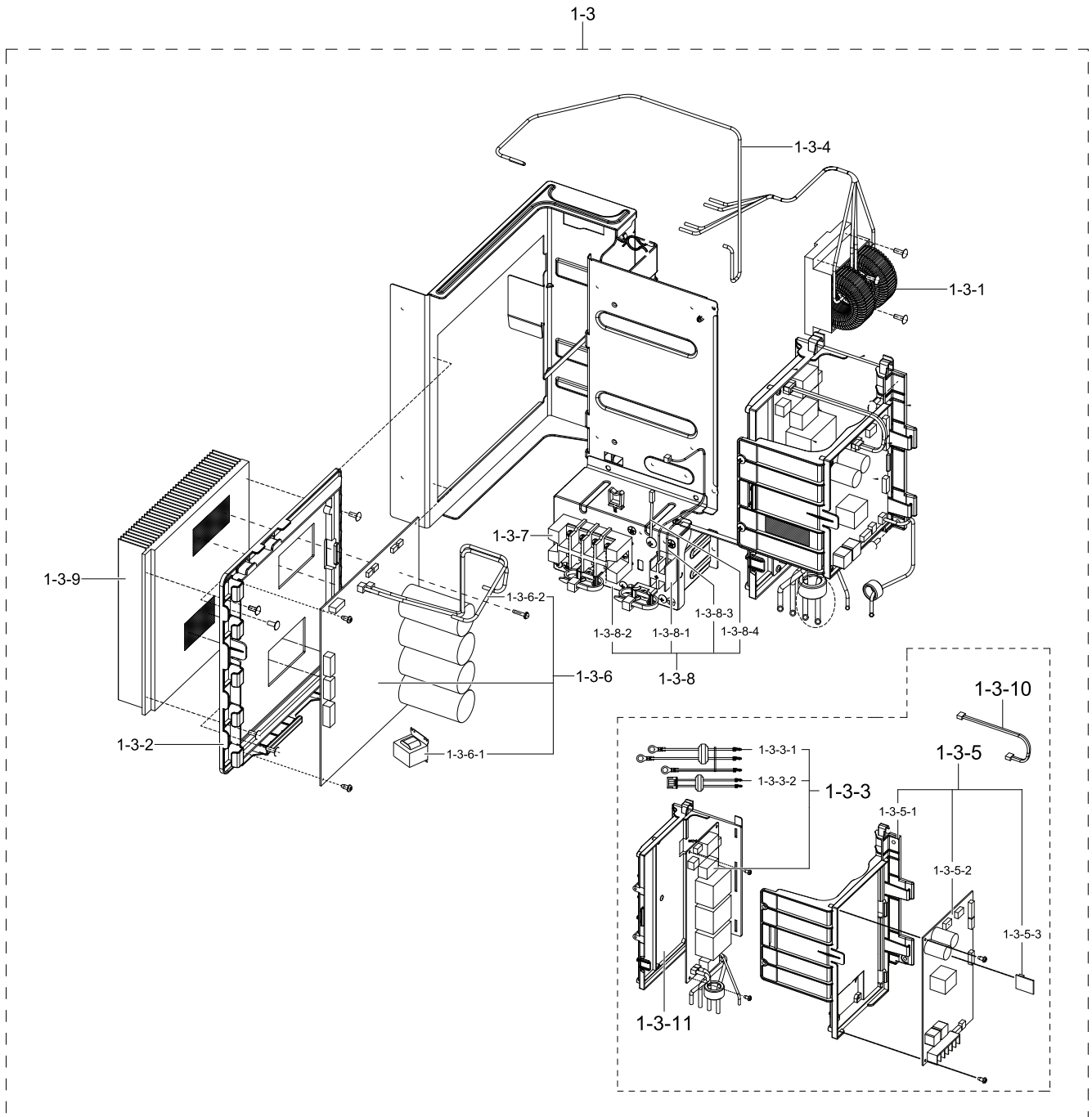
Parts List

No.	Lvl.	Loc.	Material Code	Description & Specification	SNA	Qty.
1	1		DB93-14962A	ASSY CONTROL OUT PARTS; AC090HCADKH/EU	SNA	1
1-1	2	S0242	DB81-00635A	SPRING ETC-SENSOR; DVM-SYSTEM,STS304,R2.5	SA	2
1-2	2	A0630	DB93-08235E	ASSY CONNECTOR WIRE-COMP; RC100DHXEA, UB1	SA	1
1-3	2	A3096	DB93-11292V	ASSY CONTROL OUT; HP,Inv,10.0kW,AC100HCAD	SNA	1
1-4	2		DB95-04871A	ASSY THERMISTOR OUT-SUB OUT; DVM MINI,MAI	SA	1
2	1		DB94-05649A	ASSY FAN OUT PARTS;AC120HCADKH/EU,UB1	SNA	1
2-1	2	M0039	DB31-00579A	MOTOR FAN;125W,DC310V,CLASS E	SA	1
2-2	2		DB60-00405A	FASTENER-WASHER; RC100ZHxEA,SWRCH10A,M8,2	SA	1
2-3	2	A2803	DB90-05918C	ASSY BRACKET MOTOR; AC100HCADKH/EU	SA	1
2-4	2		DB94-03277B	ASSY FAN-PROPELLER; MAN-U,520 PI, NATURAL	SC	1
3	1		DB95-05329A	ASSY COMP PARTS; AC090HCADKH/EU	SNA	1
3-1	2		DB63-03164A	CLOTH-COMP TOP; FELT+EVAR,T11.5,GRAY	SNA	1
3-2	2		UG8T300LNBUSG	RCP,48 TWIN B INV,L,R410A; RCP,48 TWIN B INV,L,R410A		1
3-3	2		DB63-03165A	CLOTH-COMP SIDE; FELT+EVAR,T11.5,GRAY	SNA	1
4	1		DB96-20024A	ASSY TUBE OUT PARTS; AC090HCADKH/EU	SNA	1
4-1	2	A0081	DB96-19977A	ASSY TUBE-VALVE; AC100HCADKH/EU	SA	1
4-1-1	3		DB90-05874C	ASSY BRACKET-VALVE; RC100DHXEA,T1.2, UB	SA	1
4-1-2	3		DB96-19970A	ASSY TUBE 4WAY; AC100HCADKH/EU	SA	1
4-1-2-1	4	S0247	DB33-00002J	SOLENOID-COIL ASSY; 220V,2,YEL	SA	1
4-1-2-2	4	V0010	DB62-02838A	VALVE-4WAY; UH105GZMC,,3.5HP, COMMON	SA	1
4-1-2-3	4	Z0161	DB62-09658A	VALVE SERVICE-SPINDLE; „5/8",R410A, FLAR	SA	1
4-1-2-4	4	A0316	DB96-14716A	ASSY-ACCUMULATOR; RC100PHXEA,1600CC	SA	1
4-1-3	3		DB96-19974A	ASSY TUBE EEV; AC100HCADKH/EU	SA	1
4-1-3-1	4	V0001	DB62-04421A	VALVE EXPAN; SUS,500,2.4	SA	1
4-1-3-2	4	V0048	DB62-11206A	VALVE COIL EXPAN; DC 12V,500,5,L-Wire	SA	1
4-1-3-3	4	Z0163	DB62-09654A	VALVE SERVICE; 3/8",C3771,K-Type,4.2MPa,R	SA	1
5	1		DB96-20029A	ASSY COND PARTS; AC090HCADKH/EU	SNA	1
5-1	2		DB96-20035A	ASSY COND BENDING; AC090HCADKH/EU,UB1	SA	1
5-1-1	2		DB90-08238A	ASSY SUPPORT; AC120HCADKH/EU	SA	1

No.	Lvl.	Loc.	Material Code	Description & Specification	SNA	Qty.
6	1		DB97-24955A	ASSY ACCESSORY OUT PARTS; HP,Inv,14.0kW,A	SNA	1
6-1	2		DB98-34943A	ASSY PACKING ACCESSORY; AC100HCADKH/EU,GI	SNA	1
6-1-1	3	Z0165	DB63-10355C	CAP-DRAIN; CR,T2,BLACK,ASH-1814ER	SA	5
6-1-2	3	D0116	DB67-00806A	DRAIN-PLUG OUT; UH140GAV,PE,1,WHITE,INVER	SA	2
6-1-3	3	Z0166	DB73-20134A	RUBBER-LEG; V2-MD,NR,55	SA	4
7	1		DB90-06287D	ASSY CABI OUT PARTS; AC120HCADNH/EU,UB1	SNA	1
7-1	2		DB90-08318C	ASSY GUARD-COND; UB1 for CAC	SNA	1
7-1-1	3		DB63-02730C	GUARD COND; RC100ZHXE,MSWR-SWRM,744.5,85	SA	1
7-2	2		DB64-02525C	CABINET-INSTALL BACK; RC160MHXE,EGI-SECC	SA	1
7-3	2		DB64-02526C	CABINET-INSTALL FRONT; RC100PHXE,EGI-SEC	SA	1
7-4	2	A0092	DB90-05873H	ASSY BASE OUT; AC100HCADKH/EU	SNA	1
7-5	2	A0212	DB90-05902E	ASSY CABINET-TOP; RC090MHXE,EHS MONO	SA	1
7-6	2		DB90-05903E	ASSY CABI BACK-RIGHT; AC120HCADNH/EU,UB1	SA	1
7-7	2	A2608	DB90-05904D	ASSY CABI FRONT-RH; RC100DHXGA,ManU	SA	1
7-7-1	3		DB64-02613B	HANDLE; RC140PHXE,PP,T2.5,EARTH BROWN,HE	SNA	1
7-7-2	3	L0084	DB98-08770K	ASSY-LOGO SAMSUNG; HP,PANTONE286C,G2-PD,2	SA	1
7-8	2	A2620	DB90-05971D	ASSY CABI FRONT-LF; RC100DHXGA,ManU	SA	1
7-8-1	3		DB64-02536B	CABINET FRONT-LF; RC100ZHXE,EGI-SECC,T0.	SNA	1
7-8-2	3		DB63-02728B	GUARD-FAN; RC140PHXE,PP,GY0180(EARTH BRO	SA	1
7-9	2	A1748	DB94-02720C	ASSY PARTITION; RC100DHXB1,GLOBAL 4WAY	SA	1

2. ASSY CONTROL OUT

Exploded View



Parts List

No.	Lvl.	Loc.	Material Code	Description & Specification	SNA	Qty.
1-3	2	A3096	DB93-11292V	ASSY CONTROL OUT; HP,Inv,10.0kW,AC100HCAD	SNA	1
1-3-1	3	Z0157	DB59-00016A	AC REACTOR; RC100PHXEA,500uH,15A	SA	1
1-3-2	3		DB61-04504B	CASE-INV; RC100ZHXE,ABS,235.5,247.3,NTR,	SA	1
1-3-3	3	A1781	DB93-11110A	ASSY PCB SUB-EMI; GLOBAL-4WAY OUTDOOR,Inv	SA	1
1-3-3-1	4	A0664	DB93-10872A	ASSY CONNECTOR WIRE-POWER; RC160RHXH1	SA	1
1-3-3-2	4	A0664	DB93-10870B	ASSY CONNECTOR WIRE-POWER; RC100PHXEA	SA	1
1-3-4	3	Z0158	DB93-10807A	ASSY CONNECTOR WIRE-MAIN TO INVERTER COM; ASSY CONNECTOR WIRE-MAIN TO INVERTER COM	SA	1
1-3-5	3		DB90-07578B	ASSY CASE PCB; AC140HCADKH/EU	SNA	1
1-3-5-1	4		DB61-05743A	CASE-PCB; AM053FXMDCH/AA,HIPS,T2.0,141.9,	SA	1
1-3-5-2	4	A2748	DB92-03237A	ASSY PCB MAIN; MAIN-OUT,CAC_OUT,192*120,2	SA	1
1-3-5-3	4		DB93-12483A	ASSY PCB SUB-EEPROM; DVM PLUS4UP,DVM WATE	SA	1
1-3-6	3	A2573	DB93-11112E	ASSY PCB MAIN-INVERTER; RC100DHXEA, RC100	SA	1
1-3-6-1	5	T0083	DB26-00123A	TRANS SWITCHING; EE2218,RC100PHXEA,GLOBAL	SA	1
1-3-6-2	5	A0664	DB93-10870A	ASSY CONNECTOR WIRE-POWER; RC160RHXH1	SA	1
1-3-7	3		DB65-00296A	TERMINAL BLOCK-POWER 4P; RC140DHXEA,PC/PB	SA	1
1-3-8	3	A3096	DB93-10966L	ASSY CONTROL OUT; HP,Inv,14.0kW,AC140HCAD	SNA	1
1-3-8-1	4	T0179	DB65-00274A	TERMINAL BLOCK; TERMINAL BLOCK,2-TAB_2-SC	SA	1
1-3-8-2	4		DB90-05889A	ASSY CASE CONTROL OUT; RC100PHXEA,ManU	SA	1
1-3-8-3	4	A2934	DB93-10808J	ASSY CONNECTOR WIRE-COMM; ND040WHXB1,NASA	SA	1
1-3-8-4	4	A0646	DB93-08805B	ASSY CONNECTOR WIRE-EARTH; DVM INV,EMI EA	SA	1
1-3-9	3	H0034	DB62-10902A	HEAT SINK; FJM,AL,10mm,200,200mm,COUNT-SI	SA	1
1-3-10	3	Z0154	DB93-10809A	ASSY CONNECTOR WIRE-EMI TO MAIN POWER; R	SA	1
1-3-11	3		DB61-04502D	CASE-EMI; RC090MHXEA,HIPS,115,254,NAT,NC0	SA	1