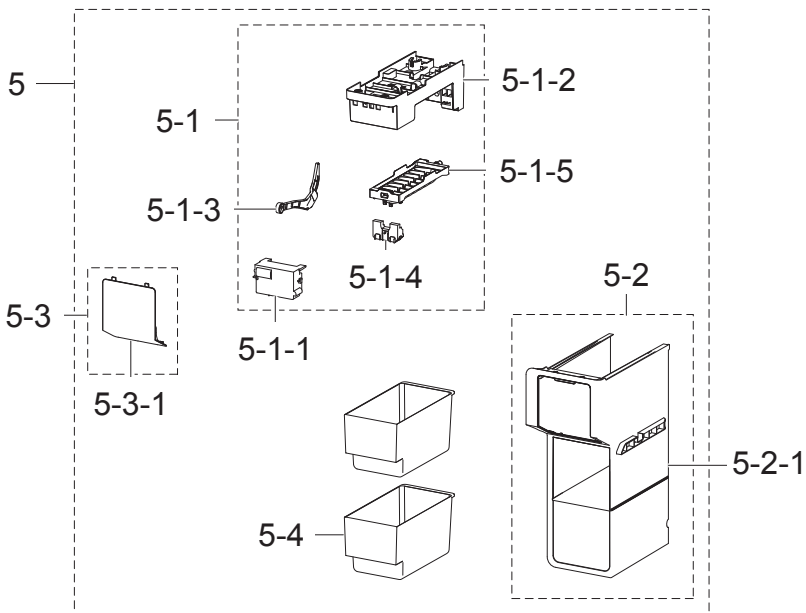
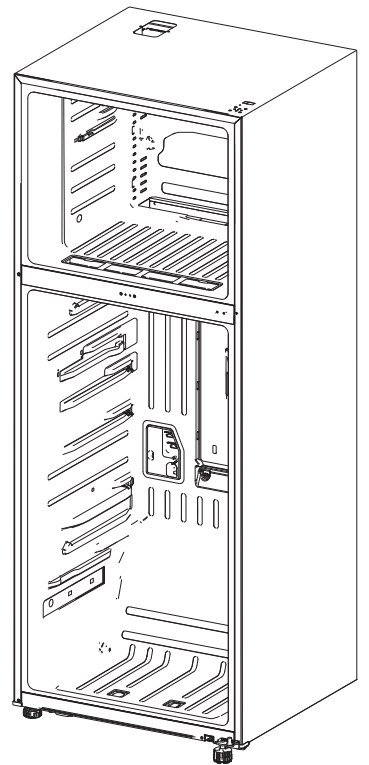
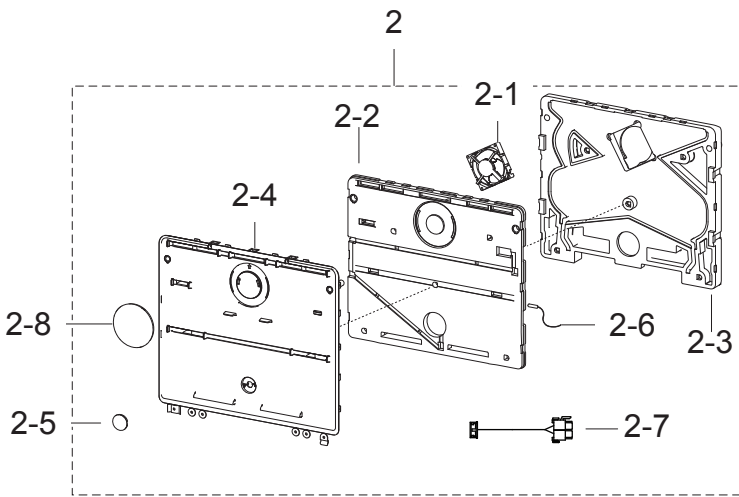
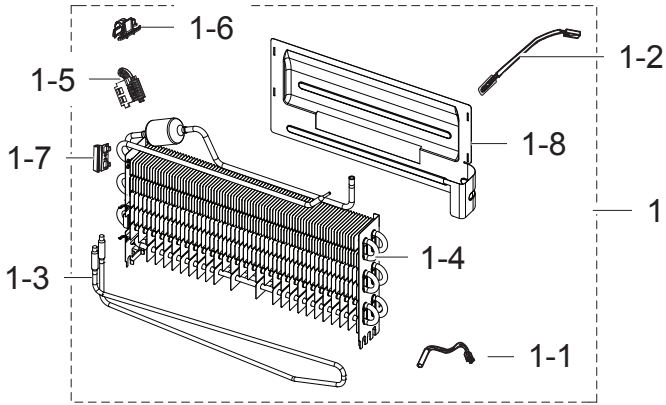


1. Freezer

Exploded View



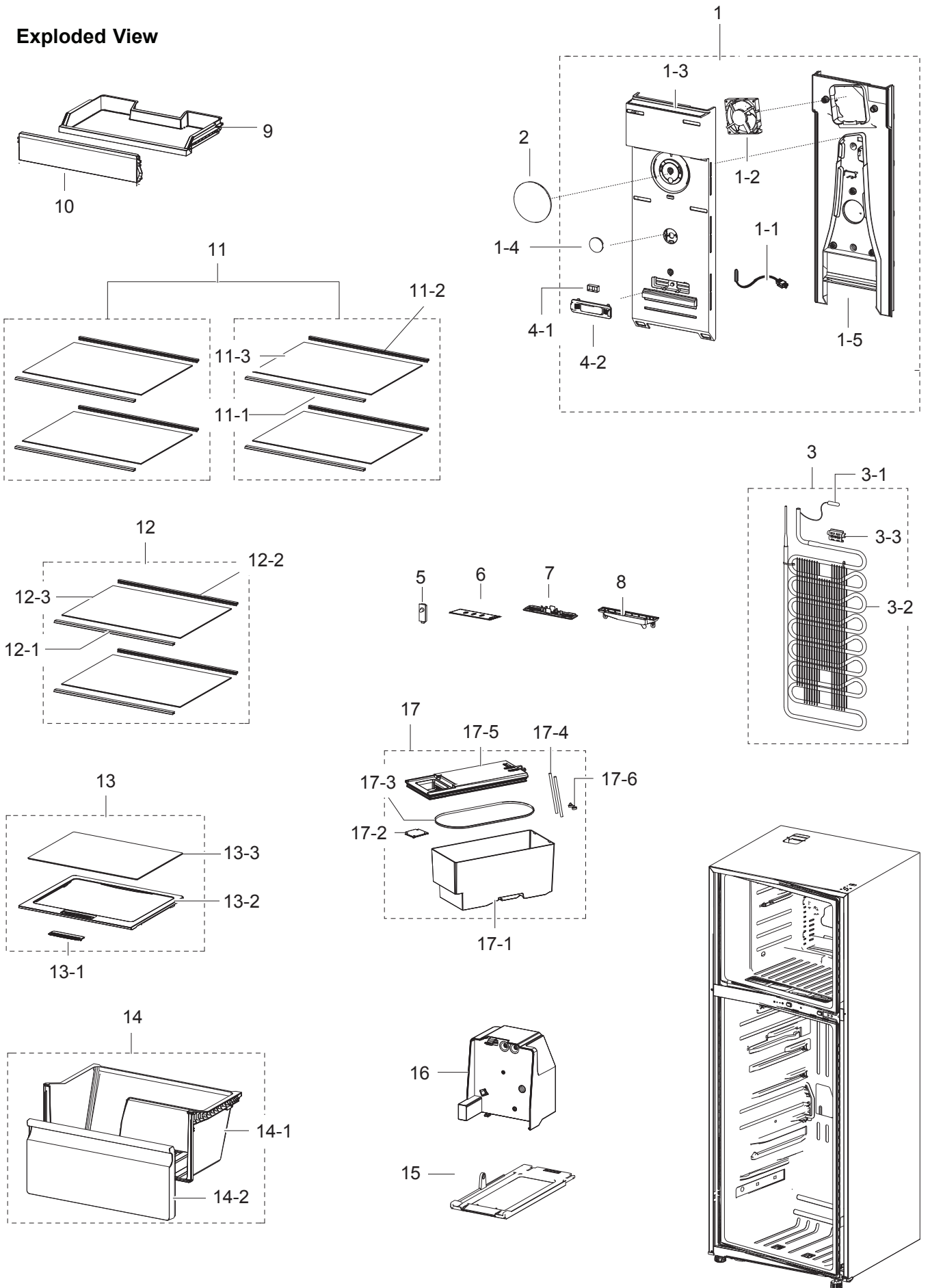
EXPLODED VIEW

1. FREEZER

No.	MATERIAL CODE	PART NAME	SPECIFICATION	QTY	STATUS
1	DA96-01010D	ASSY EVAP-FRE	RT5000K,Fin Tube,120V	1	SNA
1-1	DA32-00006D	SENSOR TEMP	PX-41C,502AT,DKST1329GW,EXPO	1	SA
1-2	DA47-00301F	THERMO FUSE-ASSY	AC250V,10A,109~110°C,S.O	1	SA
1-3	DA47-00460G	HEATER METAL SHEATH	AC120V,3050 TMF, 90o	1	SA
1-4	DA59-00554A	EVAP FRE	FIN TUBE,AL,3050-PJT	1	SNA
1-5	DA61-00603A	FIXER-SENSOR	n-PJT,PP,T2.0,NATURAL,HB,BJ	1	SA
1-6	DA61-07410A	FIXER-HEATER FRE	NW2,PP,NATURAL,BJ750	2	SA
1-7	DA61-07411A	FIXER-FUSE	NW2,PP,NATURAL,BJ750	1	SA
1-8	DA61-09104C	PLATE EVAP-REAR	RT35,Al,T0.3,A3003-H12	1	SNA
2	DA97-16247A	ASSY COVER EVAP-FRE	RT5000K 35/38,DISPLA	1	SA
2-1	DA31-00338A	MOTOR BLDC FAN	U92C12MS1B3-52K091,3350±7	1	SA
2-2	DA62-04654A	INSULATION COVER EVAP-FRE A	RT5000K 35/3	1	SNA
2-3	DA62-04655A	INSULATION COVER EVAP-FRE B	RT5000K 35/3	1	SNA
2-4	DA63-08320A	COVER EVAP-FRE	RT5000K 35/38,PP,HB,COOL	1	SNA
2-5	DA67-00738A	CAP-KNOB	MAX-PJT,PP,WHITE (SC-93437R),WE	1	SNA
2-6	DA32-00070A	SENSOR TEMP	SC41198-021A,900mm,13.2kohm	1	SA
2-8	DA99-04209A	ASSY ACCESSORY-TWIN COOLING	RT7000K	1	SA
3	DA67-30266K	CAP SCREW	A-TOP,PP,T1.5,HB,BJ750,COOL WH	3	SA
4	DA63-07355A	COVER-AIR FRE	RT380/350,PP,COOL WHITE	1	SA
5	DA90-07951S	ASSY ICE MAKER	380,350 (SEM),8th- K,AUTO	1	SNA
5-1	DA97-13772A	ASSY ICE MAKER	3050,NTGN	1	SA
5-1-1	DA59-00294B	ICE MAKER-ASS'Y	ASSY	1	SNA
5-1-2	DA61-05227A	SUPPORT-ICE MAKER FRE	AW2 CD,HIPS,S834S1	1	SNA
5-1-3	DA61-07999A	GUIDE-ICE FULL	3050,ABS,HG-0760GP,COOL W	1	SNA
5-1-4	DA63-02183A	COVER-SENSOR	AD,PP,T1.0,-,-,-,WHITE,-	1	SA
5-1-5	DA63-02284B	TRAY ICE	AD,PP,HB,NATURAL	1	SNA
5-2	DA97-13753B	ASSY CASE TRAY ICE	3050pjt,RT38 AUTO I/M	1	SA
5-2-1	DA61-08964A	SUPPORT-TRAY ICE	RT38/35,HIPS,HR-1360,CO	1	SA
5-3	DA97-13754B	ASSY COVER ICE BUCKET	3050PJT,RT38 AUTO	1	SNA
5-3-1	DA63-07419A	COVER-SUPPORT TRAY ICE	RT380,HIPS,2.0,HB	1	SC
5-4	DA63-07370A	TRAY ICE-CUBE	RT380,GPPS,T2.0,HB,TP BLUE	2	SA
6	DA97-13508A	ASSY SHELF-ICE PACK	RT380,AUTO ICEMAKER	1	SA

2. Fridge

Exploded View



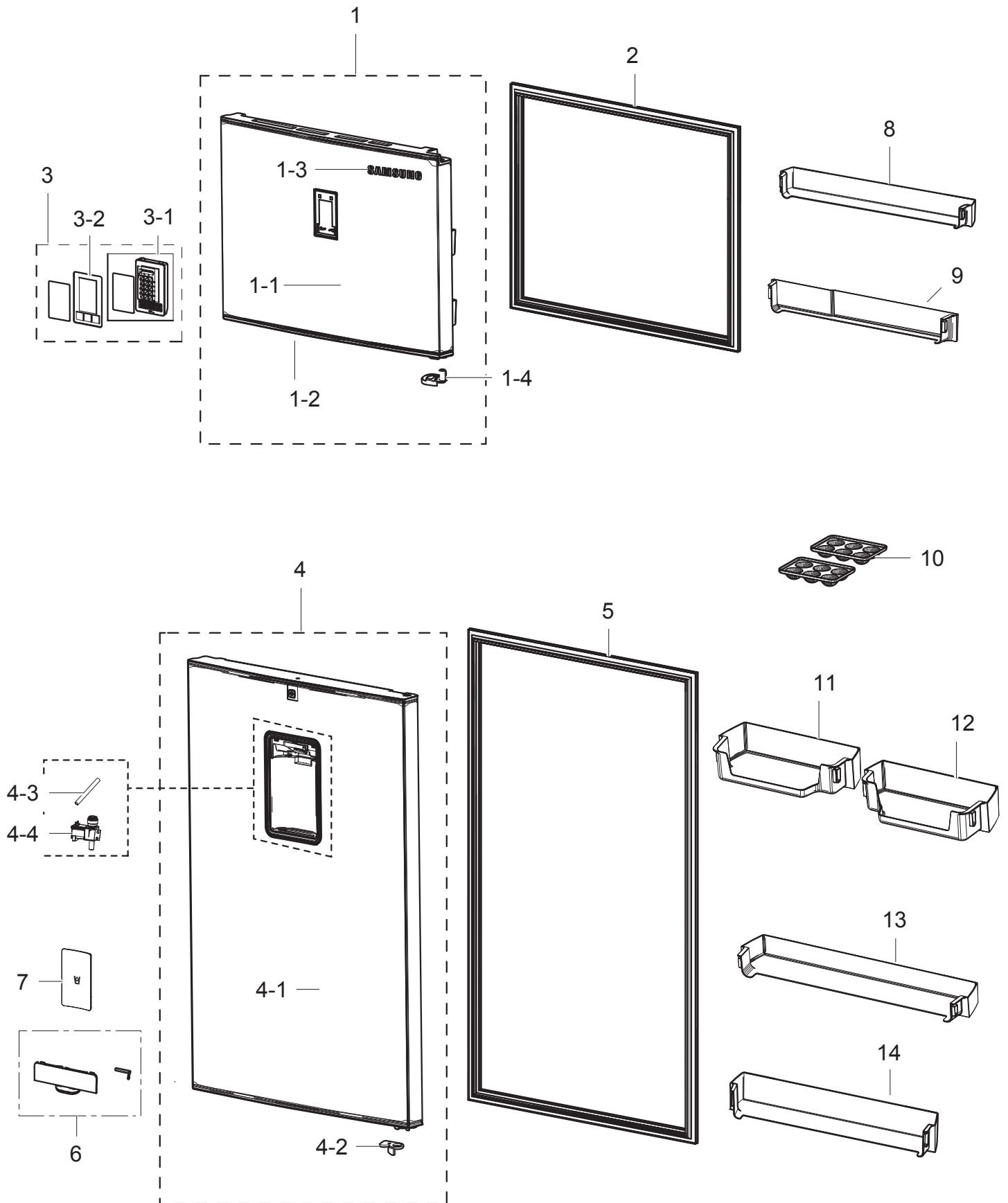
EXPLODED VIEW

2. FRIDGE

No.	MATERIAL CODE	PART NAME	SPECIFICATION	QTY	STATUS
1	DA97-16248A	ASSY COVER EVAP-REF	RT5000K 29/32/35/38,	1	SA
1-1	DA32-00070B	SENSOR TEMP	SC41198-021A,500mm,13.2kohm	1	SA
1-2	DA31-00338A	MOTOR BLDC FAN	U92C12MS1B3-52K091,3350±7	1	SA
1-3	DA63-08322A	COVER EVAP-REF A	RT5000K 29/32/35/38,PP,	1	SNA
1-4	DA67-00738A	CAP-KNOB	MAX-PJT,PP,WHITE (SC-93437R),WE	1	SNA
1-5	DA63-08323A	COVER EVAP-REF B	RT5000K 29/32/35/38,PP,	1	SNA
2	DA99-04209A	ASSY ACCESSORY-TWIN COOLING	RT7000K	1	SA
3	DA96-01156A	ASSY EVAP-REF	RT5000K,STEEL WIRE	1	SA
3-1	DA32-00070C	SENSOR TEMP	SC41200-021A,200mm,13.2kohm	1	SA
3-2	DA59-00580A	EVAPORATOR-REF	Fin Tube,RT5000K	1	SNA
3-3	DA61-07408A	FIXER-SENSOR	NW2,PP,NATURAL,M1600	1	SNA
4	DA97-13606A	ASSY COVER-DEODORIZER	3050PJT	1	SA
4-1	DA02-00216B	CATALYST-DEODORIZER	T10,W15,L30,activate	1	SNA
4-2	DA63-07423B	COVER-DEODORIZER	3050,PP,COOL WHITE,BJ75	1	SA
5	DA34-10121C	SWITCH DOOR	AC125V/250V,1.5/0.75,1BUTTON	1	SA
6	DA41-00519R	ASSY LAMP LED	3ea,CEM-1,65*10,WHITE,SMAW	1	SA
7	DA63-07368A	COVER-LAMP	3050,GPPS,T2.0,TP BLUE,G116HV	1	SA
8	DA61-10876A	PLATE DRAIN-REF	RT7000K,HIPS,T1.5,NATURA	1	SA
9	DA63-08330A	TRAY CHILLED ROOM	RT38,GPPS,T2.5,HB,TP B	1	SA
10	DA63-07374C	COVER TRAY-CHILLED	RT38/35,GPPS,T2.5,HB,	1	SA
11	DA97-16286A	ASSY SHELF GLASS-REF	RT5000_38/35	2	SA
11-1	DA64-04392B	TRIM SHELF-FRONT REF	RT38/35,HIPS,S834S1	1	SA
11-2	DA64-04395B	TRIM SHELF-REAR REF	RT38/35,HIPS,S834S1,	1	SA
11-3	DA64-04993A	GLASS-SHELF REF	RT5000_38/35,GLASS,T3.2,	1	SNA
12	DA97-16286C	ASSY SHELF GLASS-REF	RT5000_38/35,Water	1	SA
12-1	DA64-04392B	TRIM SHELF-FRONT REF	RT38/35,HIPS,S834S1	1	SA
12-2	DA64-04395B	TRIM SHELF-REAR REF	RT38/35,HIPS,S834S1,	1	SA
12-3	DA64-04993A	GLASS-SHELF REF	RT5000_38/35,GLASS,T3.2,	1	SNA
13	DA97-13490B	ASSY COVER VEG	3050(RT38)_SEM	1	SA
13-1	DA63-07341B	COVER SHEET	3050-PJT,HIPS,COOL WHITE,S83	1	SA
13-2	DA63-07371A	COVER VEG	3050-RT380,HIPS,T2.5,HB,COOL W	1	SNA
13-3	DA67-03645H	GLASS-COVER VEG	GLASS,T4.0,RT380/350,TEM	1	SNA
14	DA97-13483A	ASSY CASE-VEG LOW	3050(RT380),T2.5,COOL	1	SA
14-1	DA61-08975A	CASE-VEG LOW	3050(RT380),PP,T2.5,COOL WH	1	SA
14-2	DA63-07378A	COVER-VEG LOW FRONT	3050(RT380),GPPS,HB,	1	SNA
15	DA61-08952A	SUPPORT-WATER TANK	3050,HIPS,S834S1,COOL	1	SA
16	DA97-13464A	ASSY CASE-PUMP VALVE 2WAY	3050,2WAY	1	SA
17	DA97-13755A	ASSY TANK WATER	3050,TP BLUE	1	SA
17-1	DA61-08931A	CASE-WATER TANK	3050,GPPS,TP BLUE,656D,N	1	SA
17-2	DA63-07356A	COVER-WATER SUPPLY	3050,HIPS,COOL WHITE,	1	SA
17-3	DA63-07357A	GASKET-WATER TANK	3050,SI,NATURAL	1	SA
17-4	DA63-07364A	GROMMET-WATER HOSE	3050,SI,NATURAL	2	SA
17-5	DA63-07488A	COVER WATER TANK	3050,HIPS,-,COOL WHITE	1	SA
17-6	DA97-13645A	ASSY CASE-MESH FILTER	3050	2	SA

4. Door

Exploded View



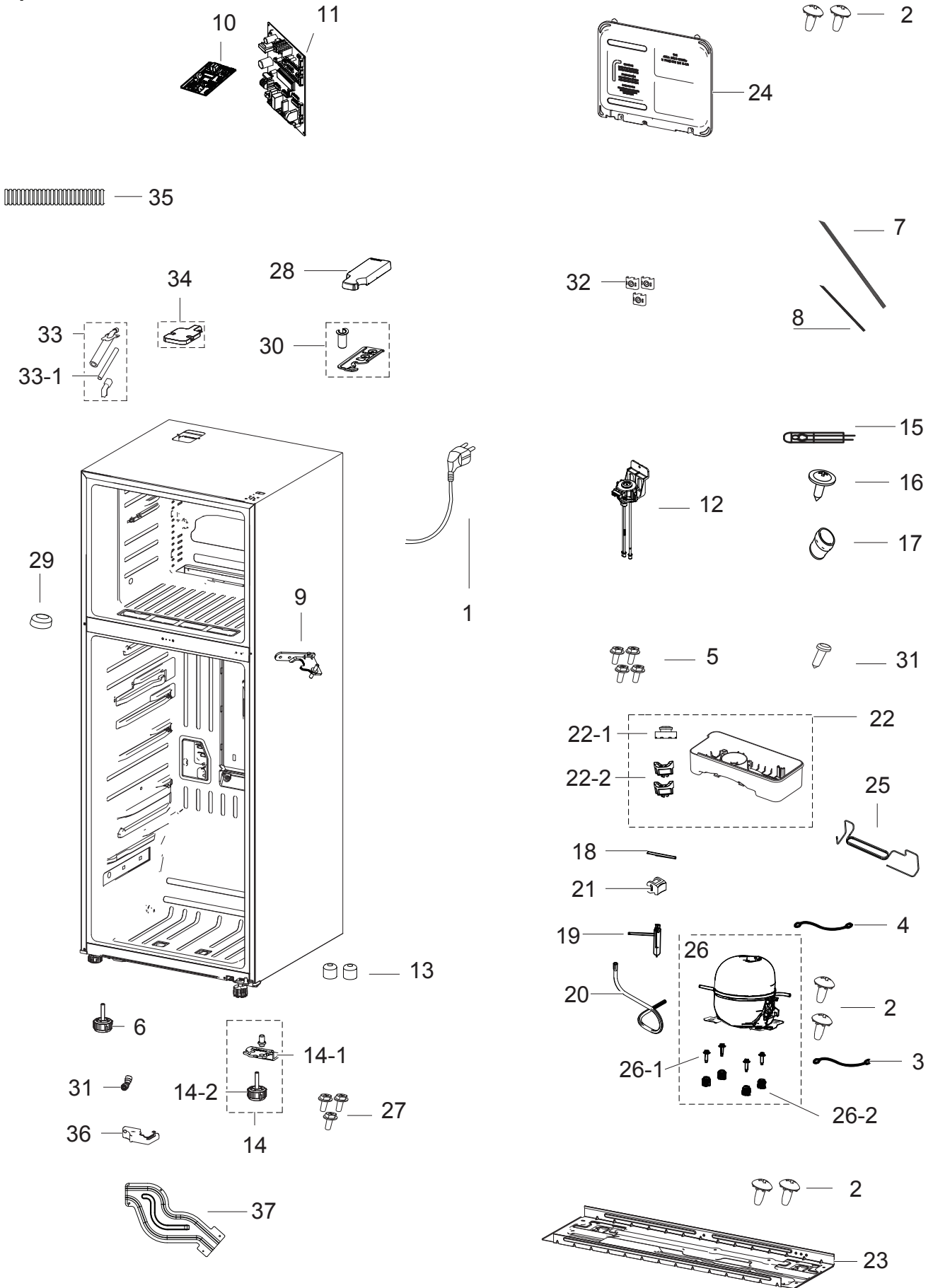
EXPLODED VIEW

3. DOORS

No.	MATERIAL CODE	PART NAME	SPECIFICATION	QTY	STATUS
1	DA90-09655A	ASSY DOOR FRE	RT38,AUTO I/M,VCM,EZ CLEAN	1	SNA
1-1	DA91-03995N	ASSY DOOR FOAM-FRE	RT38,SL,RECESS,DISPLA	1	SNA
1-2	DA67-04247A	CAP DOOR-FRE LOW	RT5000K,ABS,HB,HG-0760G	1	SA
1-3	DA64-04020A	MASCOT	ALL,Ni,T0.06,L80	1	SA
1-4	DA66-01008B	LEVER-AUTO CLOSE FRE	3050PJ,POM,I BLACK	1	SA
2	DA97-13594K	ASSY-GASKET DOOR FRE	RT35/38,3050,GASKET	1	SA
3	DA97-16163D	ASSY COVER CONTROL	RT5000K,AIM,VACATION	1	SA
3-1	DA92-00464J	ASSY MODULE	MATRIX,RT6000K,WHITE LED, 11	1	SA
3-2	DA63-07296C	COVER-CONTROL	3050PJT,ABS,HB,I BLACK,HG-	1	SA
4	DA90-09735A	ASSY DOOR REF	RT38,SL,RECESS(FIXED),DIPE	1	SNA
4-1	DA91-04528A	ASSY DOOR FOAM-REF	RT38,SL,RECESS(FIXED)	1	SA
4-2	DA66-01009A	LEVER-AUTO CLOSE REF	3050PJ,POM,NATURAL	1	SA
4-3	DA62-02004G	PIPE-WATER LINE	3050-PJT,PE RT,WHITE,O.D	1	SA
4-4	DA62-04242A	VALVE DC	DC12V,50,1WAY,L-Wire,1,1,NO	1	SA
5	DA97-13594L	ASSY-GASKET DOOR REF	RT38,3050,GASKET-SE	1	SA
6	DA97-13629A	ASSY COVER DISP	3050PJT,I-BLACK	1	SA
7	DA66-01007A	LEVER DISPENSER	3050,ABS+PC,SC-1220R/HG-	1	SA
8	DA63-07446A	GUARD FRE-UPP	3050,GPPS,T3.0,TP BLUE,380	1	SA
9	DA63-07389A	GUARD-FRE	3050,GPPS,-,TP BLUE,380	1	SA
10	DA63-07346A	TRAY EGG	3050,GPPS,-,HB,TP BLUE,165N,HI-	2	SA
11	DA63-07391A	GUARD-VARIETY L	3050,GPPS,T3.0,TP BLUE,3	1	SA
12	DA63-07392A	GUARD-VARIETY R	3050,GPPS,T3.0,TP BLUE,3	1	SA
13	DA63-07417A	GUARD-EGG	3050,GPPS,T3.0,TP BLUE,380	1	SA
14	DA63-07387A	GUARD-BOTTLE	3050,GPPS,T3.0,TP BLUE,380	1	SA

3. Cabinet

Exploded View



EXPLODED VIEW

3. CABINET

No.	MATERIAL CODE	PART NAME	SPECIFICATION	QTY	STATUS
1	3903-000796	CBF-POWER CORD	AT,U.S.A,CANADA,US3F-1,3C	1	SA
2	6006-001170	SCREW-TAPPING	TH,+,WT,2,M4,L10,ZPC(WHT),	6	SA
3	DA39-20389E	ASSY WIRE HARNESS-EARTH	ALL,FREE VOLT,UL	1	SA
4	DA39-20389A	ASSY WIRE HARNESS-EARTH	ALL,FREE VOLT,UL	1	SA
5	6011-001546	BOLT-HEX	M5(P0.8),L16,ZPC(WHT),SWRCH18A,	4	SNA
6	DA61-00805E	FOOT-FRONT	ARAM-PJT,PP,BLACK	1	SA
7	DA74-30261H	DRAIN HOSE	2DOOR,PE,T0.5,OD 21.6,ID 16.6	0.86	SA
8	DA74-30261H	DRAIN HOSE	2DOOR,PE,T0.5,OD 21.6,ID 16.6	0.28	SA
9	DA97-13611A	ASSY HINGE MID	3050PJ,T3.2,380/350	1	SA
10	DA92-00459F	ASSY PCB INVERTER	INVERTER,3050,148*98.5	1	SA
11	DA92-00756L	ASSY PCB MAIN	TWIN COOLING,RT5000K,160*1	1	SA
12	DA62-04678A	VALVE STEP	DC12V,MODULE,2WAY,STRAIGHT/ST	1	SA
13	DA73-00211A	RUBBER-CAP HOSE	i4-PJT,SILICON,GRAY	2	SA
14	DA97-14264B	ASSY HINGE-LOW	3050PJ,RT35/38	1	SA
14-1	DA61-08982A	HINGE-LOW	3050PJ,PO-SPHC,T4.0,350/380	1	SNA
14-2	DA61-00805E	FOOT-FRONT	ARAM-PJT,PP,BLACK	1	SA
15	DA32-10105F	SENSOR TEMP	502AT,PX-41C,DKST1329GW,ACE,	1	SA
16	6006-001083	SCREW-TAPPING	PWH,+,PW,1,M4,L16,ZPC(WHT)	1	SNA
17	DA60-00279A	FITTING-LOKRING 16	GRAND/SAM/HERMES,11SM	1	SA
18	DA62-00314C	PIPE-CONNECT	MAX-PJT,C1220T-0,-,OD6.35,L	1	SA
19	DA62-04309A	DRYER	C1220T-H,137,SINGLE MOUTH,15.8,9g	1	SA
20	DA62-04154A	PIPE CONNECT-SUCTION	3050-PJT,Cu,OD6.35,	1	SA
21	DA63-07474A	GROMMET-IMMERSION PIPE C	3050_TMF,NBR,20	1	SA
22	DA97-16550A	ASSY TRAY DRAIN WATER	RT6000K	1	SA
22-1	DA63-02325A	GROMMET-STEP-VALVE-UP	HNR2213/15/17/20,N	1	SA
22-2	DA63-08036A	GROMMET-LOW	3050-1,2,NBR,BLACK	2	SA
23	DA97-13451A	ASSY CHASSIS COMP	3050-PJT,T0.8,RT38	1	SA
24	DA97-13545A	ASSY COVER-PCB PANEL	290,320,350,380,305	1	SA
25	DA97-16549A	ASSY PIPE IMMERSING	RT6000K,-	1	SA
26	MSV488AL1R/TT3	COMPRESSOR	CMP,REFRIGERATOR,R-600A	1	-
26-1	6011-001546	BOLT-HEX	M5(P0.8),L16,ZPC(WHT),SWRCH18A,	4	-
26-2	DA63-02617A	GROMMET COMP	USP05,EPDM,OD27.0,BLACK	4	-
27	6011-001546	BOLT-HEX	M5(P0.8),L16,ZPC(WHT),SWRCH18A,	3	SNA
28	DA63-07382A	COVER-HINGE UPP	3050PJ,PP,HB,BJ750,INOX	1	SA
29	DA67-00322K	CAP SCREW	EXP,PP,T1.0,HB,BJ750,NOBLE GRA	1	SA
30	DA97-13610A	ASSY HINGE UPP	3050PJ,T2.0,380/350	1	SA
31	DA60-00331A	FITTING TUBE	FITTING-TUBE ASSY,PP,5/16,5	1	SA
32	DA61-04712C	FIXER-HOSE	AW,ABS,LIGHT GRAY,RECYCLED AB	3	SA
33	DA97-13419A	ASSY PIPE WATER-ICE	3050,2.3W	1	SA
33-1	DA62-00040A	PIPE-WATER ICE	A-TOP,AL,-,-,-,-,-	1	SA
34	DA97-13569A	ASSY COVER-PIPE WATER	3050-PJT,AUTO I/M	1	SA
35	DA62-00160C	PIPE-WATER LINE OUT	AD,TPE,OD13.5,WHITE,	1	SA
36	DA63-07381A	COVER-HINGE LOW	350/380,PP,T1.5,HB,INOX	1	SA
37	DA63-07440A	COVER-HOSE BOTT	3050,GI-SGCC,T0.3,-,-	1	SA