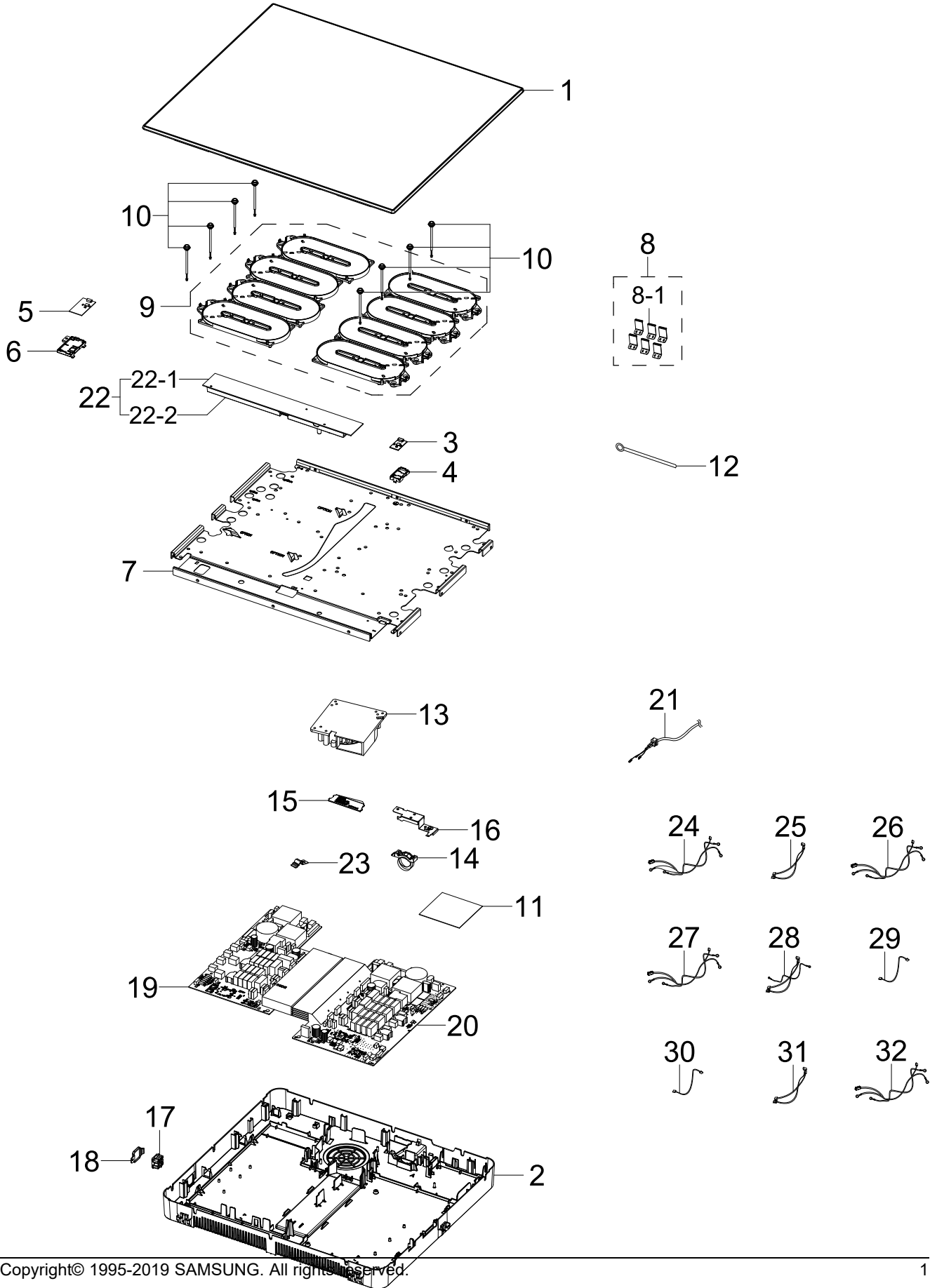


# 1. NZ64R9787GK/EC

## Exploded View



## Parts List

No.	Lvl.	Loc.	Material Code	Description & Specification	SNA	Qty.
1	2	H042	DG94-03197A	ASSY TOP PLATE; NZ64R9787GK,no frame, bk	SA	1
2	2		DG61-01788B	CASE BURNER; NZ9900J, NZ6000K DIRECT TYPE	SNA	1
3	2		4709-002503	BLUETOOTH MODULE; SBT-CY71/CT,IEEE802.15,	SA	1
4	2		DG61-01590A	HOLDER PCB-BLUETOOTH; NZ6000K-SMART,PA66,	SNA	1
5	2		4709-002667	W-LAN MODULE; CWAM210S,KS,PF#3,K-36PR,IEE	SA	1
6	2		DG61-01771A	HOLDER PCB-WIFI; NZ9900 PLUG,PA66,INNER B	SNA	1
7	2	C238	DG94-03073B	ASSY BRACKET PANEL; NZ64R9787TG,480mm cut	SA	1
8	2		DG98-01751A	ASSY MANUAL; NZ64R9787GK/EC,480mm CUTOUT	SNA	1
8-1	3	M060	DG97-00010D	ASSY HARD WARE; NZ63K7777BK	SA	1
9	2		DG27-01021A	COIL WORKING; 105uH,190mm,FLEX	SA	8
10	2		DG32-00015A	SENSOR TEMP; PTM-312-S56,Ceramic Cap,170,	SA	8
11	2		DA92-00530A	ASSY MODULE; STD #7 SMPS,FOOD SHOWCASE,32	SA	1
12	2	M058	6052-000075	CABLE CLAMP; PI 5.0, L75mm,T0.3,Si,WHITE	SNA	1
13	2		DG31-00011D	MOTOR BLDC FAN; 12032GA-12N,2650rpm,12V,0	SA	1
14	2		DG61-00729A	HOLDER-CABLE; NV6786BNESR,PA66,WHITE	SA	1
15	2		DG61-01039A	GUIDE AIR; NZ63R8770TR/SR,NZ63R6707MR,NZ6	SA	1
16	2		DG61-01786A	BRACKET EARTH; NZ9900J, single 3 burner,	SNA	1
17	2		DG63-00598A	COVER WIRE; DUAL DOOR,PP,V-0,NATURAL,HASS	SNA	1
18	2		DG63-00600A	COVER WIRE-UP; DUAL DOOR,PA66,T1.5,V-0,BL	SNA	1
19	2		DG92-01042D	ASSY PCB INVERTER; Dual FlexLeft,NZ6000K_	SA	1
20	2		DG92-01043B	ASSY PCB INVERTER; FlexRight,NZ6000K_FPT,	SA	1
21	2	M015	DG96-00061H	POWER CORD-AT; H05VV-F 5x2.5mm2,GRY,-,-,F	SA	1
22	1	C082	DG94-03210A	ASSY CONTROL BOX; NZ64R9787GK,PA66+GF15%,	SA	1
22-1	2		DG94-03200A	ASSY PCB EEPROM; OP5,DG92-01120B,NZ64R978	SNA	1
22-2	2	C082	DG94-02992A	ASSY CONTROL; NZ64R9787TG,NZ63R*****,3BU	SNA	1

No.	Lvl.	Loc.	Material Code	Description & Specification	SNA	Qty.
23	2		DG96-00457A	ASSY WIRE HARNESS-POWER; NZ6000K,12VDC,12	SA	1
24	2	W036	DG96-00458A	ASSY WIRE HARNESS-EARTH; NZ6000K,220VAC,2	SA	1
25	2		DG96-00460A	ASSY WIRE HARNESS-POWER; NZ63K7777BK_FF,	SA	1
26	2		DG96-00461A	ASSY WIRE HARNESS-POWER; NZ63K7777BK_FR,	SA	1
27	2		DG96-00466A	ASSY WIRE HARNESS-DC SIGNAL; NZ6000K_Main	SA	1
28	2		DG96-00496A	ASSY WIRE HARNESS-DC SIGNAL; NZ9300K, WIF	SA	1
29	2		DG96-00498A	ASSY WIRE HARNESS-DC SIGNAL; NZ9300K, Blu	SA	1
30	2		DG96-00738A	ASSY WIRE HARNESS-DC SIGNAL; NZ64R9787TW,	SA	1
31	2		DG96-00739A	ASSY WIRE HARNESS-POWER; NZ64R9787TW,240V	SA	1
32	2		DG96-00740A	ASSY WIRE HARNESS-POWER; NZ64R9787TW,240V	SA	1