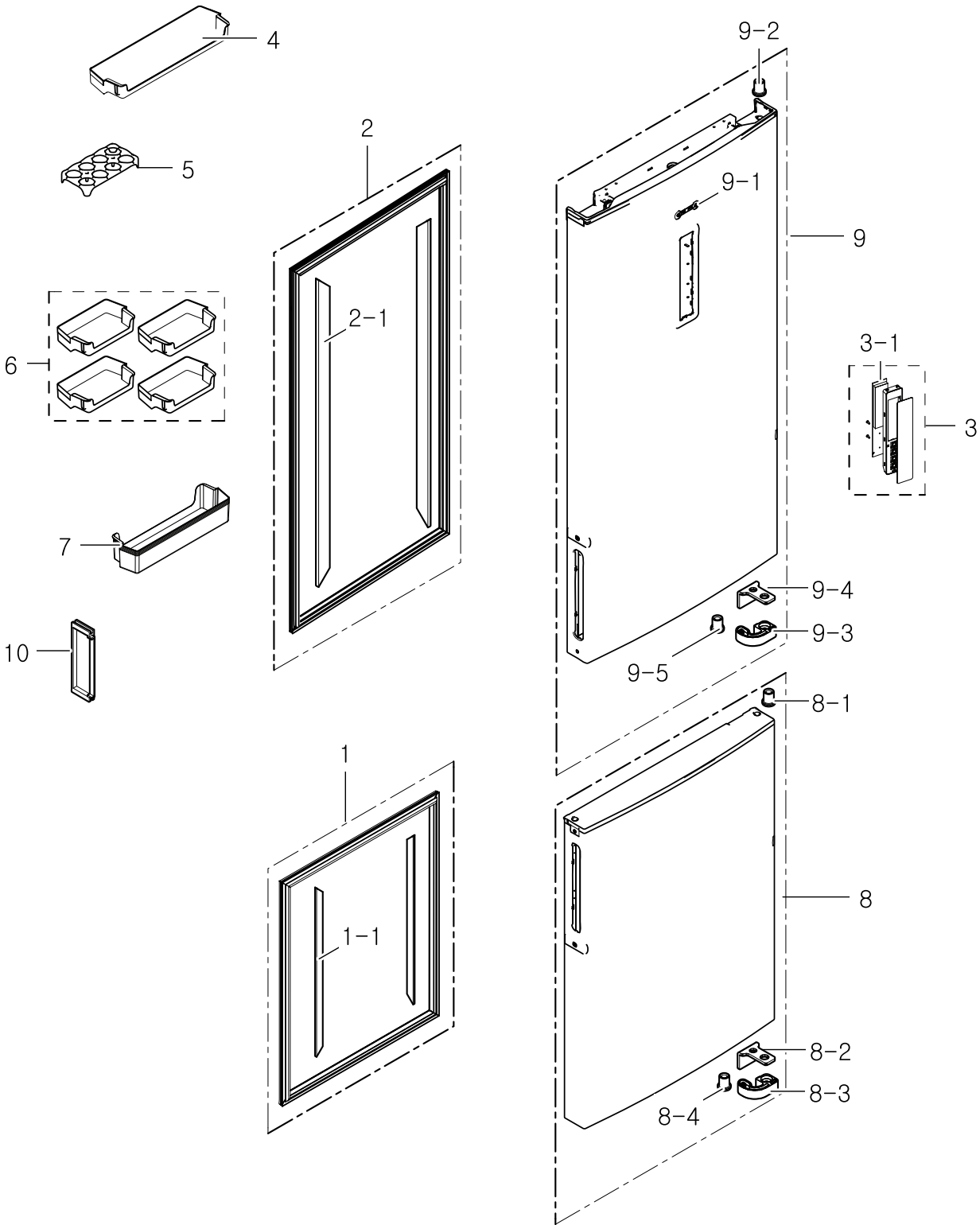


1. Door

Exploded View

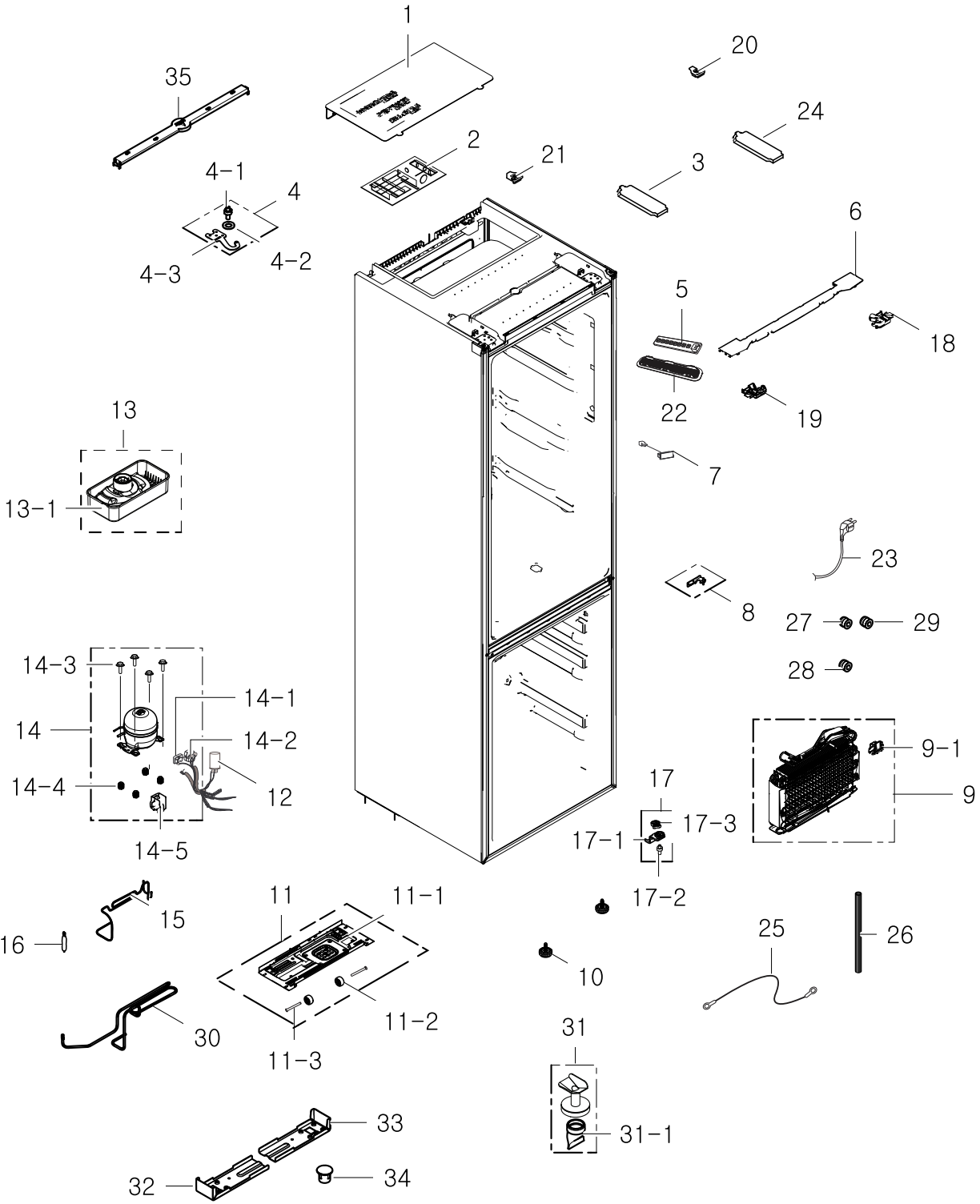


Parts List

| No. | Lvl. | Loc. | Material Code | Description & Specification | SNA | Qty. |
|-----|------|-------|---------------|--|-----|------|
| 1 | 2 | | DA97-12383K | ASSY-GASKET DOOR; GRAND-CRU, FRE RL58, RL | SA | 1 |
| 1-1 | 3 | G0503 | DA61-08060F | MAGNET-GASKET; GRANDCRU-PJT,FERRITE | SA | 2 |
| 2 | 2 | | DA97-12383J | ASSY-GASKET DOOR; GRAND-CRU, REF RL60,WHI | SA | 1 |
| 2-1 | 3 | G0506 | DA61-08060J | MAGNET-GASKET; GRANDCRU-PJT,FERRITE | SA | 2 |
| 3 | 2 | G0082 | DA97-11409C | ASSY COVER-CONTROL; GRAN CRU,ASS'Y,SNOW W | SA | 1 |
| 3-1 | 3 | G0069 | DA92-00179A | ASSY PCB KIT LED; LED(Semi) DISPLAY,GRAN | SA | 1 |
| 4 | 2 | A0634 | DA63-06305B | GUARD REF-UPP; GRAND-CRU,GPPS,TP BLUE,GAL | SA | 1 |
| 5 | 2 | A0656 | DA63-06221A | TRAY EGG; GRAND-CRU,GPPS,TP BLUE,168N | SA | 1 |
| 6 | 2 | A0211 | DA63-06307B | GUARD VARIETY; GRAND-CRU,GPPS,TP BLUE,GAL | SA | 4 |
| 7 | 2 | A0635 | DA63-06306B | GUARD REF-LOW; GRAND-CRU,GPPS,TP BLUE,GAL | SA | 1 |
| 8 | 2 | M0063 | DA91-04071J | ASSY DOOR FOAM-FRE; GRAND CRU RL60GLBSW,G | SA | 1 |
| 8-1 | 5 | A0552 | DA63-05627A | GROMMET-HINGE; GROMET,PA66,NATURAL,GROMET | SA | 1 |
| 8-2 | 5 | A0551 | DA61-06259B | BRACKET-STOPPER DOOR; Grand Cru/Sam-Pjt,G | SC | 1 |
| 8-3 | 5 | A0597 | DA61-06228A | STOPPER-DOOR; Grand Cru/Sam Pjt,POM,NTR | SA | 1 |
| 8-4 | 5 | A0552 | DA63-05627A | GROMMET-HINGE; GROMET,PA66,NATURAL,GROMET | SA | 1 |
| 9 | 2 | Z1100 | DA91-04072J | ASSY DOOR FOAM-REF; GRAND CRU, RL60GLBSW, | SA | 1 |
| 9-1 | 3 | M0196 | DA64-04020B | MASCOT; ALL,NI,T0.05,L80 | SA | 1 |
| 9-2 | 5 | A0552 | DA63-05627A | GROMMET-HINGE; GROMET,PA66,NATURAL,GROMET | SA | 1 |
| 9-3 | 5 | A0597 | DA61-06228A | STOPPER-DOOR; Grand Cru/Sam Pjt,POM,NTR | SA | 1 |
| 9-4 | 5 | A0551 | DA61-06259B | BRACKET-STOPPER DOOR; Grand Cru/Sam-Pjt,G | SC | 1 |
| 9-5 | 5 | A0552 | DA63-05627A | GROMMET-HINGE; GROMET,PA66,NATURAL,GROMET | SA | 1 |
| 10 | 2 | G0220 | DA67-03055F | CAP-SPACE DOOR; GRAND CRU,ABS,SNOW WHITE(| SA | 1 |

2. Over All

Exploded View



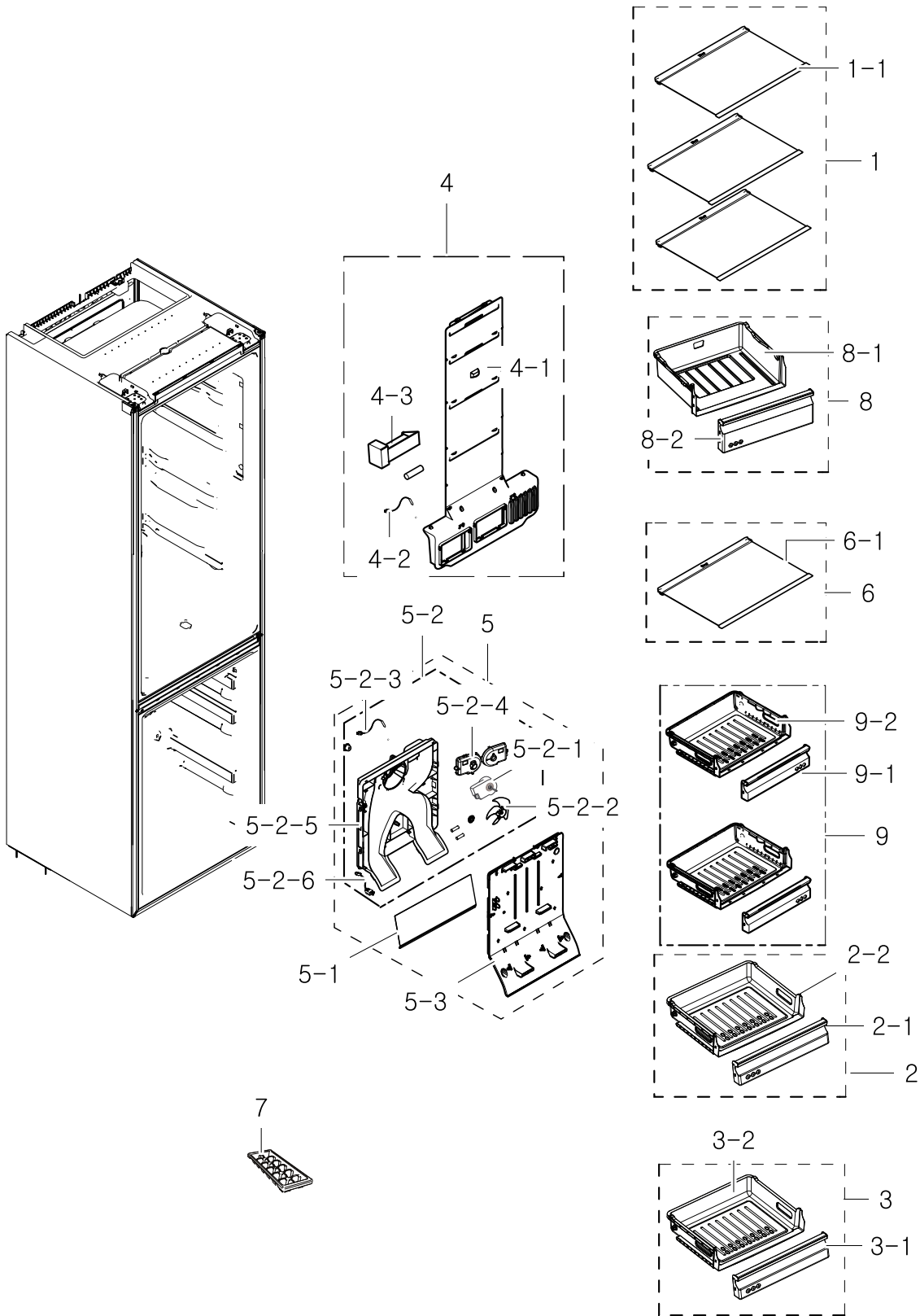
Parts List

| No. | Lvl. | Loc. | Material Code | Description & Specification | SNA | Qty. |
|------|------|-------|----------------|---|-----|------|
| 1 | 2 | G0089 | DA63-06361B | COVER PCB-PANEL; GRAND CRU,GI-SGCC,T0.3 | SA | 1 |
| 2 | 2 | A0952 | DA92-00177F | ASSY PCB MAIN; 230V,50Hz,BAR-TYPE,Grand cr | SA | 1 |
| 3 | 2 | G0217 | DA63-06395B | COVER-HINGE A; GRAND CRU,HIPS,COOL WHITE | SA | 1 |
| 4 | 2 | M0346 | DA97-11472A | ASSY HINGE-UPP; GRAND CRU,WHITE | SA | 1 |
| 4-1 | 3 | A0518 | DA66-00385A | SHAFT-HINGE; CORE,SWCH10A,-,OD6,-,ZPC3(| SA | 1 |
| 4-2 | 3 | A0509 | DA66-00741A | SHAFT-WASHER; Grand Cru/Sam Pjt,HIPS,OD12 | SA | 1 |
| 4-3 | 3 | G0259 | DA97-11865A | ASSY HINGE UPP-SPRAY; GRAND CRU | SA | 1 |
| 5 | 2 | G0090 | DA41-00519P | ASSY-ROOM LAMP LED; SSEDA,CEM-1,100*20*1 | SA | 1 |
| 6 | 2 | G0215 | DA63-06393N | COVER-WIRE DOOR; GRAND-CRU,HIPS,SNOW WHIT | SA | 1 |
| 7 | 2 | G0068 | DA34-00043A | SWITCH REED-ASS'Y; 200VDC,1.5,- | SA | 1 |
| 8 | 2 | A0513 | DA97-12375B | ASSY HINGE MID; GRAND CRU,Zn painting | SA | 1 |
| 9 | 2 | A0162 | DA96-00826A | ASSY EVAP FRE; RL60 (GRAND CRU),FRE,230V/ | SA | 1 |
| 9-1 | 3 | G0205 | DA61-04921B | FIXER-HEATER FRE; HERMES-PJT,PP,NATURAL,F | SA | 2 |
| 10 | 2 | G0201 | DA61-07546A | LEG; GRAND CRU-PJT,PP,NTR,BOLT:M8,50.5mm | SA | 2 |
| 11 | 2 | A0738 | DA97-11278A | ASSY CHASSIS-COMP; GRAND_CRU,SBHG1,T0.8,A | SA | 1 |
| 11-1 | 3 | G0258 | DA97-11860A | ASSY CHASSIS-SUB COMP; GRAND CRU,ASSY | SA | 1 |
| 11-2 | 3 | A0527 | DA61-06202A | CASTER-REAR; GRAND-CRU,PP,NATURAL | SA | 2 |
| 11-3 | 3 | G0445 | DA66-00758B | SHAFT CASTER; SAM PJT,SCP1,OD6.0,BS1706-F | SA | 2 |
| 12 | 2 | M2000 | DA27-00032A | COIL FILTER-EMI; 400L,8.0mH,60*82mm,BOX,S | SA | 1 |
| 13 | 2 | A0529 | DA97-08845A | ASSY TRAY DRAIN WATER; T2.0,NTR,PP | SA | 1 |
| 13-1 | 3 | A0531 | DA63-06226A | TRAY-DRAIN WATER; S_AM B/I,PP,T2.0,NTR | SA | 1 |
| 14 | 2 | G0410 | MSE4A1QL1G/AK1 | COMPRESSOR,RSCR,11.1CC,220-240V,STAITC; COMPRESSOR,RSCR,11.1CC,220-240V,STAITC | | 1 |
| 14-1 | 3 | A0789 | 2301-001848 | C-FILM,LEAD; 5uF,-25to+80,450V,+10~-5,37x | SA | 1 |
| 14-2 | 3 | A0668 | DA35-00099A | RELAY PTC; 330MD2(J535Q35E330M3852),33Ω,3 | SC | 1 |
| 14-3 | 3 | A0564 | DA60-20008A | BOLT-HEX; SWCH45K,WHITE,ZPC | SA | 4 |
| 14-4 | 3 | Z1112 | DA63-02017A | GROMMET COMP; QUEEN,EPDM,BLACK | SA | 4 |
| 14-5 | 3 | Z1032 | DA63-04553A | COVER RELAY; N300X,T2.1,V-0,5VA,SSEC,BLAC | SNA | 1 |

| No. | Lvl. | Loc. | Material Code | Description & Specification | SNA | Qty. |
|------|------|-------|---------------|--|-----|------|
| 15 | 2 | M0016 | DA62-03095A | PIPE-CONNECT SUCTION; GRANDCRU,CU,NATURAL | SA | 1 |
| 16 | 2 | G0071 | DA62-02614P | DRYER-SINGLE; HAEMIL_10,C1220T,OD18.7,L11 | SC | 1 |
| 17 | 2 | A0515 | DA97-11482A | ASSY HINGE LOW; GRAND CRU | SA | 1 |
| 17-1 | 3 | A0247 | DA61-07365A | HINGE-LOW; GRNAD CRU,SHP1,T4.0,ZPC3 | SA | 1 |
| 17-2 | 3 | A0518 | DA66-00385A | SHAFT-HINGE; CORE,SWCH10A,-,OD6,-,ZPC3(| SA | 1 |
| 17-3 | 3 | A0516 | DA61-07383A | GUIDE-AUTO CLOSE; GRAND CRU,PA-66,NTR | SA | 1 |
| 18 | 2 | G0213 | DA63-06391A | COVER-WIRE HINGE R; GRAND CRU,PP,SNOW WHI | SA | 1 |
| 19 | 2 | G0214 | DA63-06392A | COVER-WIRE HINGE L; GRAND CRU,PP,SNOW WHI | SA | 1 |
| 20 | 2 | | DA67-03053A | CAP-HIGH SIDE R; GRAN CRU,ABS,T2.0,25.9,S | SNA | 1 |
| 21 | 2 | | DA67-03054A | CAP-HIGH SIDE L; GRAN CRU,ABS,T2.0,25.9,S | SNA | 1 |
| 22 | 2 | A0490 | DA63-05628B | COVER LAMP; GRAND-CRU,GPPS,HB,TP BLUE,168 | SA | 1 |
| 23 | 2 | A0273 | DA39-10115D | CBF-POWER CORD; UCP-2,250V,10/16A,L2100,- | SA | 1 |
| 24 | 2 | G0216 | DA63-06394B | COVER-HINGE B; GRAND CRU,HIPS,COOL WHITE | SA | 1 |
| 25 | 2 | A0562 | DA39-20389L | WIRE HARNESS-EARTH; 1,YELLOW/GREEN,ST 710 | SA | 1 |
| 26 | 2 | M0203 | DA62-02982C | PIPE-CONNECT DISC A; C1220T-1/2H,OD6.35,L | SA | 1 |
| 27 | 2 | | DA60-00280A | FITTING-LOKRING 33; GRAND/SAM/HERMES,11SM | SA | 1 |
| 28 | 2 | | DA60-00281A | FITTING-LOKRING 43; GRAND/SAM/HERMES,11SM | SA | 1 |
| 29 | 2 | | DA60-00279A | FITTING-LOKRING 16; GRAND/SAM/HERMES,11SM | SA | 1 |
| 30 | 2 | G0267 | DA62-03193D | PIPE-CONNECT IMMERSION; (GRAND CRU),SWST, | SA | 1 |
| 31 | 3 | G0285 | DA62-00017A | TUBE-DRAIN FRE-ASSY; PP,-,-,-,SR-32,35, | SA | 1 |
| 31-1 | 4 | G0202 | DA63-00246B | GROMMET-DRAIN HOSE; CORE-PJT,NBR,-,-,-, | SA | 1 |
| 32 | 3 | G0449 | DA61-07340A | REINF-BOTT FRONT L; GRANDCRU,PO-SPHC,T1.5 | SA | 1 |
| 33 | 3 | G0450 | DA61-07341A | REINF-BOTT FRONT R; GRANDCRU,PO-SPHC,T1.5 | SA | 1 |
| 34 | 2 | A0549 | DA67-02655A | CAP-HINGE HOLE; GRAND CRU,ABS,HB,HG-0760G | SA | 1 |
| 35 | 2 | G0212 | DA63-06384C | COVER-CABI HIGH; GRAND CRU,HIPS,T2.0,42,3 | SA | 1 |

3. Freezer Fridge

Exploded View



Parts List

| No. | Lvl. | Loc. | Material Code | Description & Specification | SNA | Qty. |
|-------|------|-------|---------------|--|-----|------|
| 1 | 2 | A0185 | DA97-13435B | ASSY SHELF REF; GRAND CRU | SA | 3 |
| 1-1 | 3 | A0214 | DA67-03037C | SHELF REF; GRAND CRU,PP,COOL WHITE,BETTER | SA | 3 |
| 2 | 2 | G0268 | DA97-11399B | ASSY TRAY-FRE MID; GRAN CRU,ASSY/NO TRIM | SA | 1 |
| 2-1 | 3 | G0080 | DA63-06328A | COVER TRAY-FRE MIDDLE; GRAND-CRU,GPPS,HB, | SA | 1 |
| 2-2 | 3 | G0261 | DA61-07305A | CASE-TRAY FRE MID; GRAND-CRU,PP,COOL WHIT | SA | 1 |
| 3 | 2 | G0267 | DA97-11398B | ASSY TRAY-FRE LOW; GRAND CRU,NO TRIM | SA | 1 |
| 3-1 | 3 | G0085 | DA63-06334A | COVER TRAY-FRE LOW; GRAND-CRU,GPPS,HB,TP | SA | 1 |
| 3-2 | 3 | G0260 | DA61-07306A | CASE-TRAY FRE LOW; GRAND-CRU,PP,COOL WHIT | SA | 1 |
| 4 | 2 | G0239 | DA97-11363A | ASSY COVER MULTI-REF; GRAND CRU,RL60, BAS | SA | 1 |
| 4-1 | 3 | A0689 | DA63-06338A | COVER-MULTI REF; GRAND CRU(RL60),PP,COOL | SA | 1 |
| 4-2 | 3 | A1018 | DA32-00011W | SENSOR TEMP; PX-41C,MT-PJT,-40~1105V, | SA | 1 |
| 4-3 | 3 | G0242 | DA31-00043F | MOTOR DC-DAMPER; -,CORE-PJT,Max 60mA,-,-, | SA | 1 |
| 5 | 2 | M0416 | DA97-11338A | ASSY COVER-EVAP FRE; GRAND CRU | SA | 1 |
| 5-1 | 3 | G0233 | DA61-07361A | PLATE-EVAP COVER REAR; GRAND CRU,GL-SAZCC | SA | 1 |
| 5-2 | 3 | G0074 | DA97-11334A | ASSY COVER-EVAP REAR; GRAND CRU | SC | 1 |
| 5-2-1 | 4 | A0998 | DA31-00146J | MOTOR BLDC; 1920,DC12V,230mA,2.8W | SA | 1 |
| 5-2-2 | 4 | A0769 | DA31-00276A | FAN; GRAND CRU,ABS,GP-35/NTR | SA | 1 |
| 5-2-3 | 4 | A1018 | DA32-00033E | SENSOR TEMP; 502AT,DKST1329GW,MAX4,-40~11 | SA | 1 |
| 5-2-4 | 4 | M0449 | DA63-06370A | COVER MOTOR-BLDC; GRAND CRU,PP,BLACK | SA | 1 |
| 5-2-5 | 4 | G0236 | DA63-06375A | COVER EVAP-REAR; GRAND CRU,PP,T1.5,BLACK, | SA | 1 |
| 5-2-6 | 4 | G0088 | DA96-00042E | ASSY W/HARNES-MOTOR; E-PEL(BLDC),WIRE-HA | SA | 1 |
| 5-3 | 4 | A0665 | DA63-06360B | COVER EVAP-FRONT; GRAND CRU,PP,T1.7,NTR | SNA | 1 |
| 6 | 2 | G0284 | DA97-13467A | ASSY SHELF REF-LOW; GRAND CRU,GOOD | SA | 1 |
| 6-1 | 3 | G0268 | DA67-03038A | SHELF-REF LOW; GRAND CRU,PP,COOL WHITE,BE | SC | 1 |
| 7 | 2 | A0582 | DA67-40146B | TRAY-ICE; SR-1500,NTR,PE,-,-,-,-,-,- | SA | 1 |
| 8 | 2 | G0269 | DA97-11358A | ASSY TRAY-FRESHROOM; GRAND CRU | SA | 1 |
| 8-1 | 3 | G0266 | DA61-07324A | CASE-FRESHROOM; GRAND CRU-PJT,PP,COOL WHI | SA | 1 |

Exploded Views and Parts List

| No. | Lvl. | Loc. | Material Code | Description & Specification | SNA | Qty. |
|-----|------|-------|---------------|--|-----|------|
| 8-2 | 3 | G0083 | DA63-06341A | COVER-FRESHROOM FRONT; GRAND-CRU,GPPS,HB, | SA | 1 |
| 9 | 2 | M0121 | DA97-11397B | ASSY TRAY-FRE UPP; GRAND CRU,NO TRIM | SA | 2 |
| 9-1 | 3 | G0087 | DA63-06327A | COVER TRAY-FRE UP; GRAND-CRU,GPPS,HB,TP B | SA | 2 |
| 9-2 | 3 | G0253 | DA61-07317A | CASE-TRAY FRE UPP; GRAND-CRU,PP,COOL WHIT | SNA | 2 |