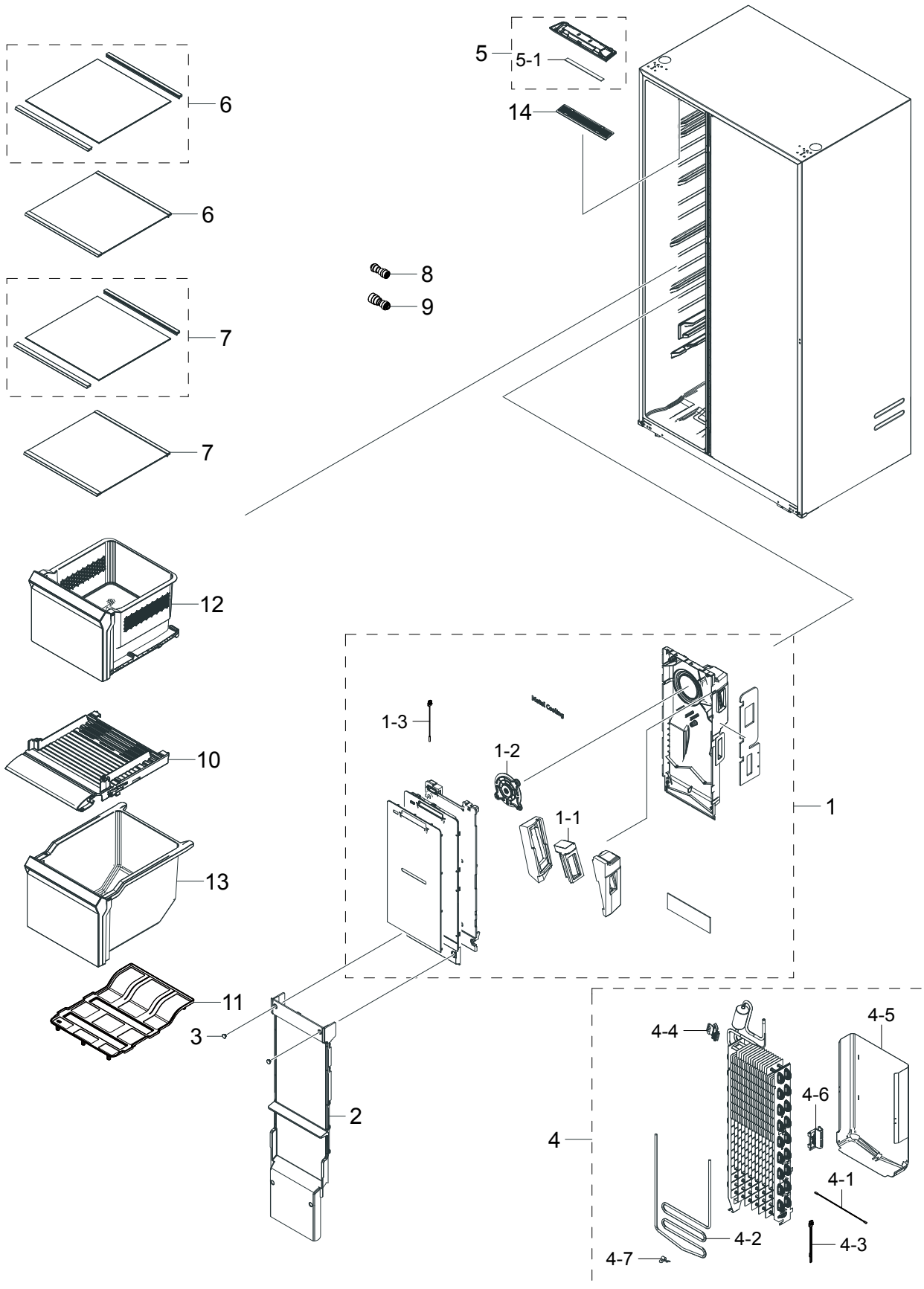


# EXPLODED VIEW PART LIST

## • Freezer



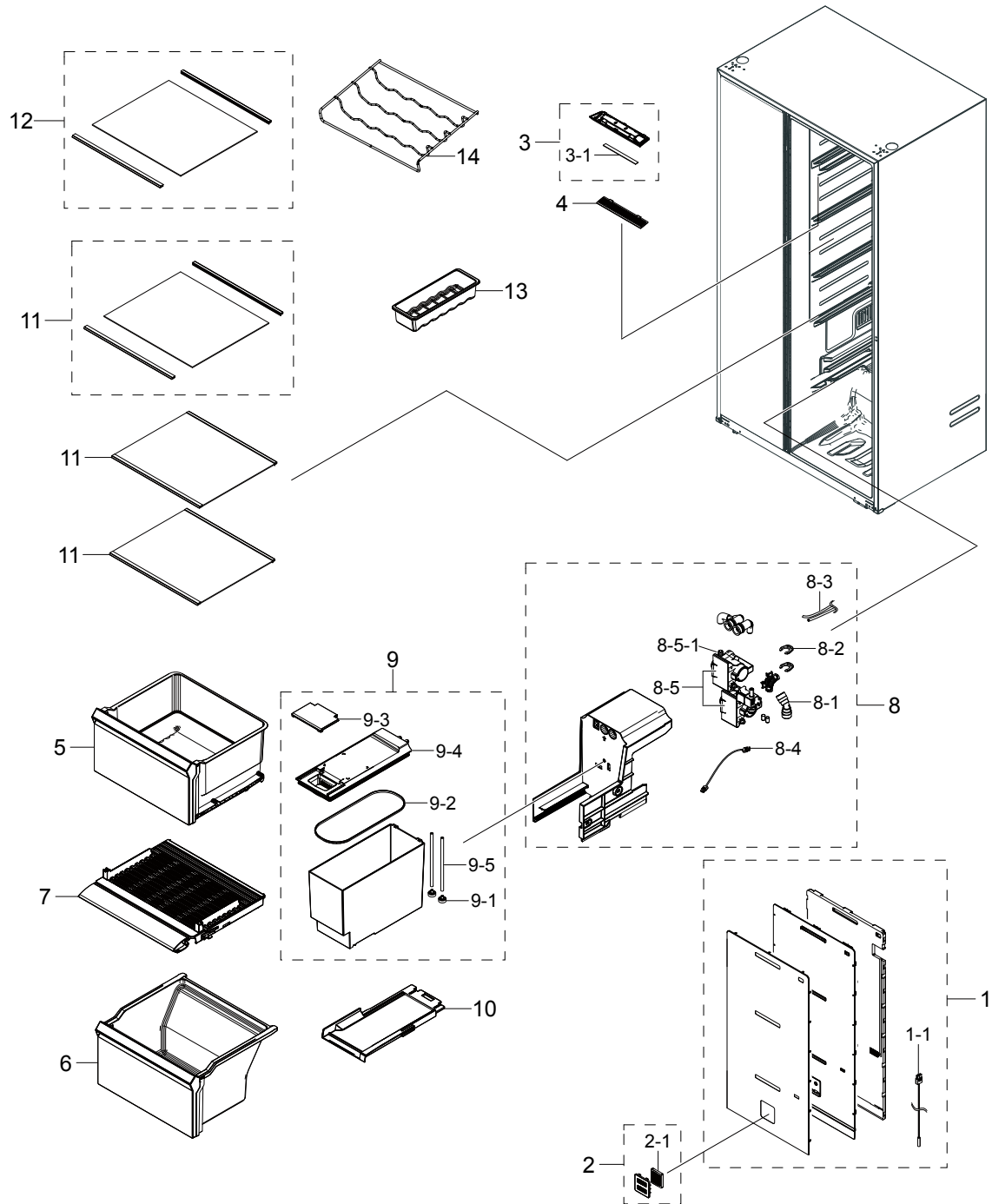
# EXPLODED VIEW PART LIST

## Part list of Freezer

No.	Parts Code	Parts Description	Spec.	Qty	SA/SNA
1	DA97-19943A	ASSY COVER MULTI-FRE MULTI MODULE	RS5000RC,METAL	1	SA
1-1	DA31-00333E	MOTOR GEARED DC DAMPER	NSBA001TQ1,DC12V,60mA,60mA,Heater 3W / Use Flat Cable /600mm	1	SA
1-2	DA31-00342A	MOTOR BLDC FAN	ARES2130RA/LT-W39005,1850RPM,12V,0.35A,4.2W,F135, FC connector,-30to+60C	1	SA
1-3	DA32-00070A	SENSOR TEMP	SC41198-021A,900mm,13.2kohm	1	SA
2	DA97-19944A	ASSY COVER EVAP-FRE COVER EVAP MODULE	RS5000RC	1	SA
3	DA67-30266K	CAP SCREW	A-TOP,PP,T1.5,HB,BJ750,COOL WHITE	2	SA
4	DA96-01384A	ASSY EVAP-FRE EVAP MODULE	RS5300T,Fin Tube,230V,300W,1 EVAP	1	SA
4-1	DA32-00024L	SENSOR TEMP	PX-41C,L250,13.2kohm,2%,0C,7phi	1	SA
4-2	DA47-00522A	HEATER METAL SHEATH	AC230V,RS5000T FRE,176.3 ohm,300W,INCOLOY840,1915 mm,BIMETAL,35965-9210 (2EA),MgO	1	SA
4-3	DA47-00301B	THERMO FUSE-ASSY	AC250V,10A,109-110°C,S.O.D,ETC(WIRE)	1	SA
4-4	DA61-00603A	FIXER SENSOR	n-PJT,PP,T2,NATURAL,BJ750	1	SA
4-5	DA61-04026A	PLATE DRAIN	ES-PJT,GL-SGLCC,T0.35	1	SA
4-6	DA61-07411A	FIXER-FUSE	NW2,PP,NATURAL,BJ750	1	SA
4-7	DA61-07451A	PLATE-EVAP HEATER	NW2,Al,T0.7	1	SA
5	DA97-19899A	ASSY CASE LAMP	RS5000RC,T2.0,COOL WHITE,LED 3EA	1	SA
5-1	DA96-01119A	ASSY LAMP LED	3EA,FR-4,150*12,WHITE,SMW250-(H)03G,MAX199mA,DC12V,MIN140lx	1	SA
6	DA97-19937A	ASSY SHELF-FRE UP SHELF MODULE	RS5000RC	2	SA
7	DA97-16364A	ASSY SHELF-FRE LOW SHELF MODULE	RS6500KC	2	SA
8	DA60-00258B	FITTING TUBE	PPJD1/4,1/4'-1/4'	1	SA
9	DA60-00259B	FITTING TUBE	TUBE FITTING B,PP,1/4'-5/16'	1	SA
10	DA97-19934A	ASSY COVER-SLIDE FRE SHELF MODULE	RS5000RC	1	SA
11	DA67-04810A	SHELF-BOTTOM SHELF MODULE	RS5000RC,PP,NATURAL	1	SA
12	DA97-19924A	ASSY CASE BASKET-UP DRAWER MODULE	RS5000RC	1	SA
13	DA97-19929A	ASSY CASE BASKET-LOW DRAWER MODULE	RS5000RC	1	SA
14	DA63-05431A	COVER-LED SIDE	AW3,SBC,HB,NATURAL,KR01	1	SA

# EXPLODED VIEW PART LIST

## • Fridge



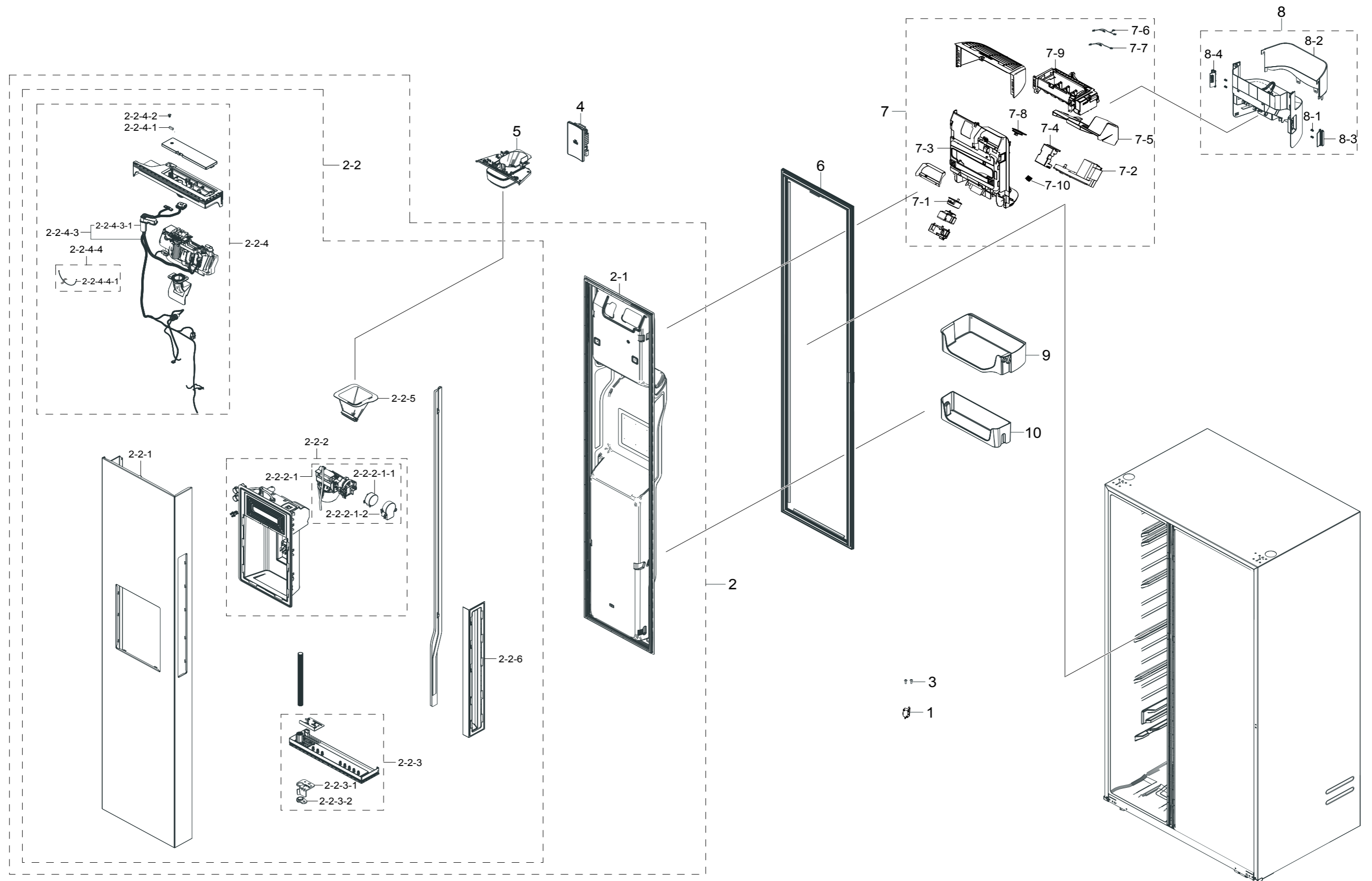
# EXPLODED VIEW PART LIST

## · Part list of Fridge

No.	Parts Code	Parts Description	Spec.	Qty	SA/SNA
1	DA97-19942A	ASSY COVER MULTI-REF MULTI MODULE	RS5000RC,METAL	1	SA
1-1	DA32-00070S	SENSOR TEMP	SC41200-021A,L650,13.2kohm,2%,0C,7phi	1	SA
2	DA97-18979C	ASSY COVER DEODORIZER	RS5000RC,I,con	1	SA
2-1	DA02-90106R	CATALYST-LTC	T5,W40,L40,AI203-SiO2	1	SA
3	DA97-19899B	ASSY CASE LAMP	RS5000RC,T2,COOL WHITE,LED 5EA	1	SA
3-1	DA96-01119B	ASSY LAMP LED	5,FR-4,150*12,WHITE,SMAW250-(H)03G,288mA~352mA,DC12V,MIN 260lx	1	SA
4	DA63-05431A	COVER-LED SIDE	AW3,SBC,HB,NATURAL,KR01	1	SA
5	DA97-19930A	ASSY CASE VEG-UP DRAWER MODULE	RS5000RC	1	SA
6	DA97-19932A	ASSY CASE VEG-LOW DRAWER MODULE	RS5000RC	1	SA
7	DA97-19933A	ASSY COVER-SLIDE REF SHELF MODULE	RS5000RC	1	SA
8	DA97-20016A	ASSY CASE MOTOR	RS5000RC,Non-Plumbing	1	SA
8-1	DA60-00331B	FITTING TUBE	PP,JD5/16,BENDING ANGLE 45, No Cap	1	SNA
8-2	DA61-04521A	CLIP-FITTING LOCK	AW,POM,BLUE,500P,5/16inch	2	SA
8-3	DA62-01368F	PIPE-WATER LINE	Dispenser Model,PE,OD6.35,T1,NATURAL,PE-RT,ORANGE	1.971	SA
8-4	DA96-01019A	ASSY WIRE HARNESS-ETC	ASSY WATER PUMP,PUMP,ALL,12VDC,UL+IEC,UL,100mm*2,2,2,12VDC	1	SA
8-5	DA97-15781A	ASSY COVER MOTOR	FSR	2	SA
8-5-1	DA66-00123B	MOTOR DC PUMP	NTGM104TA1,5395rpm,12V,400mA,4.8W,NTGM104,-30to+60C	1	SNA
9	DA97-15758A	ASSY TANK WATER	FSR	1	SA
9-1	DA63-08128A	GROMMET-PIPE	FSR,Si,NATURAL	2	SA
9-2	DA63-08130A	GASKET	FSR,Si,NATURAL	1	SA
9-3	DA63-08131A	COVER SUPPORT	FSR,HIPS,HB,COOL WHITE,S834S1	1	SA
9-4	DA63-08132A	COVER WATER TANK	FSR,HIPS,HB,COOL WHITE,S834S1	1	SA
9-5	DA97-13645A	ASSY CASE-MESH FILTER	3050	2	SA
10	DA61-10922A	GUIDE RAIL	FSR,HIPS,COOL WHITE,S834S1	1	SA
11	DA97-16362A	ASSY SHELF-REF UP SHELF MODULE	RS6500KC	3	SA
12	DA97-16362E	ASSY SHELF-REF UP SHELF MODULE	RS5000RC,NON FOAM-PE	1	SA
13	DA97-20298A	ASSY TRAY EGG	RS5000RC	1	SA
13-1	DA63-06420A	TRAY EGG	NW2-PJT,SSEC,GPPS,TP BLUE	1	SA
14	DA75-00267B	RACKWINE-SHELF MODULE	BRB6000M,-,MSWR,T6,W457.6,L296,natural,-,ZINC COATING+LACQUER	1	SA

# EXPLODED VIEW PART LIST

## • Freezer Door



# EXPLODED VIEW PART LIST

## · Part list of Freezer Door

No.	Parts Code	Parts Description	Spec.	Qty	SA/SNA
1	3405-001117	SWITCH-MICRO	125/250VAC,1A,80gf,SPST-NO LEVER,T105,BK	1	SA
2	DA91-05028A	ASSY DOOR FOAM-FRE	RS5000RC,M9,RECESS, DISPENSER	1	SA
2-1	DA64-05922A	PANEL-FRE	RS5000RC,ABS,W370.8,L1674.1,QU-0191S,COOL WHITE	1	SNA
2-2	DA97-19956A	ASSY PLATE DOOR-FRE	RS5000RC,FRE, DISP,RECESS,GENTLE SILVER,FLAT,DISP, 220V, M9	1	SNA
2-2-1	DA61-13340A	PLATE DOOR-FRE	RS5000RC,GI-SGCC,T0.5,GENTLE SILVER,DAC-SV1801TE,PETHP	1	SNA
2-2-2	DA97-19947A	ASSY CASE DISPENSER	RS5000RC,BLACK,DISPENSER	1	SNA
2-2-2-1	DA97-19028A	ASSY CASE ICE ROUTE	RS8000NC,220V	1	SA
2-2-2-1-1	DA31-00079A	MOTOR GEARED AC DISP	MVLA15AR11/MCFA182AA,15.2/18.2 rpm,220-240V,less 20mA,CW/8 pole	1	SA
2-2-2-1-2	DA63-07654A	COVER MOTOR	FSR,HIPS,HB,NATURAL,576H	1	SA
2-2-3	DA97-19948A	ASSY CAP DOOR-FRE LOW	RS5000RC,ABS,BLACK,FRE LOW	1	SNA
2-2-3-1	DA61-07527A	STOPPER-DOOR FRE LOW	POLARIS,PO-SPHC,T4.0	1	SA
2-2-3-2	DA66-00558B	CAM HINGE-RISER UPPL	POLARIS,PA66,BLACK,KN333G15,ANNEALING	1	SA
2-2-4	DA97-19954A	ASSY CAP DOOR-FRE UP	RS5000RC,ABS,INOX GRAY,FRE UP,220V	1	SNA
2-2-4-1	DA61-03949A	MAGNET	ES-PJT,SSEC,FERRITE,1600Gauss	1	SA
2-2-4-2	DA67-03067A	CAP-SHAFT HOLE	NW2-PJT,SSEC,PP,BJ750,NATURAL	1	SA
2-2-4-3	DA96-01346A	ASSY WIRE HARNESS-DOOR	RS5000RC,DISP_IN-DOOR,SBS,4YES,YES,YES,220~240VA C,IEC,UL+IEC,UL,NA,DA63-07544A	1	SNA
2-2-4-3-1	DA63-04182A	GROMMET HINGE-UPP	GUGGENHEIM,POM,NATURAL,KN3311	1	SA
2-2-4-4	DA97-19469B	ASSY PIPE WATER LINE	RS5000,PE-RT,ORANGE,1/4inch,2410mm,-,-,D6.35,- PLUMBING	1	SNA
2-2-4-4-1	DA62-01368F	PIPE-WATER LINE	Dispenser Model,PE,OD6.35,T1,NATURAL,PE-RT,ORANGE	2.41	SA
2-2-5	DA97-20160A	ASSY GUIDE ICE ROUTE	RS5000RC,ASSY	1	SNA
2-2-6	DA97-20161A	ASSY HANDLE-FRE	RS5000RC,BLACK,ASSY, RECESS HANDLE	1	SNA
3	DA60-10130B	SCREW-TAPPING	TH,-,M4.2,L13,ZPC(WHT),SWRCH18A,-,-	2	SA
4	DA97-19030A	ASSY LEVER DISPENSER	RS8000NC,BLACK	1	SA
5	DA97-19031F	ASSY COVER DISPENSER	RS5000RC,BLACK,1-PCS	1	SA
6	DA97-21843A	ASSY GASKET-FRE	RS5000RC,GRAY,H1642.5,W346.5	1	SA
7	DA97-21215A	ASSY CASE AUGER MOTOR	RS5000T,INDOOR	1	SA
7-1	DA31-00079A	MOTOR GEARED AC DISP	MVLA15AR11/MCFA182AA,15.2/18.2 rpm,220-240V,less 20mA,CW/8 pole	1	SA
7-2	DA31-00210E	MOTOR GEARED AC AUGER	ISG-3245SSB/ORG-4501P3,AC220-240V,CA,14.3rpm,1.58A,T45,CCW, In-Door(Wide), T/P 80/55°C	1	SA
7-3	DA61-13945A	SUPPORT CASE AUGER	RS5000T,ABS,T2.5,H1121H,COOL WHITE	1	SNA
7-4	DA63-05515A	COVER-MOTOR AUGER COIL	GGH,ABS,NATURAL,VE-0856	1	SA
7-5	DA63-09324A	COVER CASE AUGER	RS8000NC,HIPS,T2.5,HB,NATURAL,5470	1	SA
7-6	DA96-01037D	ASSY WIRE HARNESS-AUGER	ALL,AUGER(NO BUCKET S/W),ALL,YES,YES,YES,FREE VOLT,UL+IEC,UL,UL	1	SA
7-7	DA97-00151B	SWITCH REED	UL1007 AWG 22,230,35151-0210,2.5,5,230	1	SA
7-8	DA97-11248A	ASSY-CAM LEVER CUBE	INDOOR	1	SA
7-9	DA97-19010A	ASSY ICE MAKER-MECH	RS6500KC,12V,INDOOR	1	SA
7-10	DA71-00163B	FIXER-NUT	GUGGENHEIM,STS420,T1,J2,BODY:S50C	1	SA

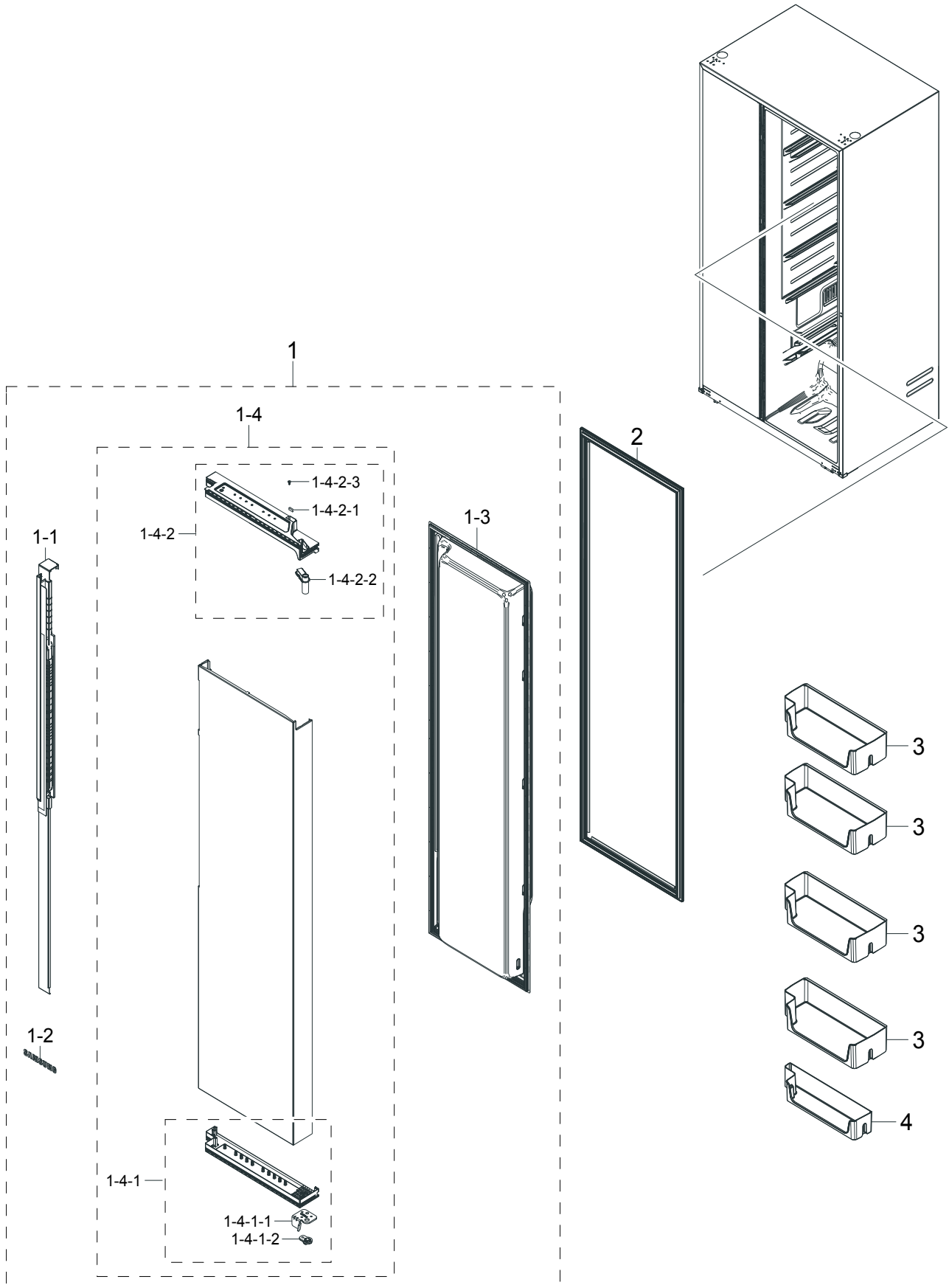
# EXPLODED VIEW PART LIST

## · Part list of Freezer Door

No.	Parts Code	Parts Description	Spec.	Qty	SA/SNA
8	DA97-19968A	ASSY TRAY ICE	RS5000RC,INDOOR	1	SA
8-1	DA61-04378A	SPRING ETC-BUCKET LEVER	GUGGENHEIM,STS304,DO.7,4,5,4,10,6,-,-,-,-	4	SA
8-2	DA64-05918A	WINDOW BUCKET	RS5000RC,PCTG,T4,W296,L115,HB,T90G,NATURAL,TRANSPARENT	1	SA
8-3	DA66-00587A	LEVER-BUCKET L	GUGGENHEIM,ABS,W76.7,L19.4,HF-0660I,COOL WHITE	1	SC
8-4	DA66-00588A	LEVER-BUCKET R	GUGGENHEIM,ABS,W77.2,L19.4,HF-0660I,COOL WHITE	1	SA
9	DA63-09547A	GUARD-FRE UP DOOR BIN MODULE	RS5000RC,GPPS,T3,TP BLUE,DISPENSER	1	SA
10	DA63-09492A	GUARD-FRE LOW DOOR BIN MODULE	RS5000RC,GPPS,T3,TP BLUE	1	SA

# EXPLODED VIEW PART LIST

## • Fridge Door

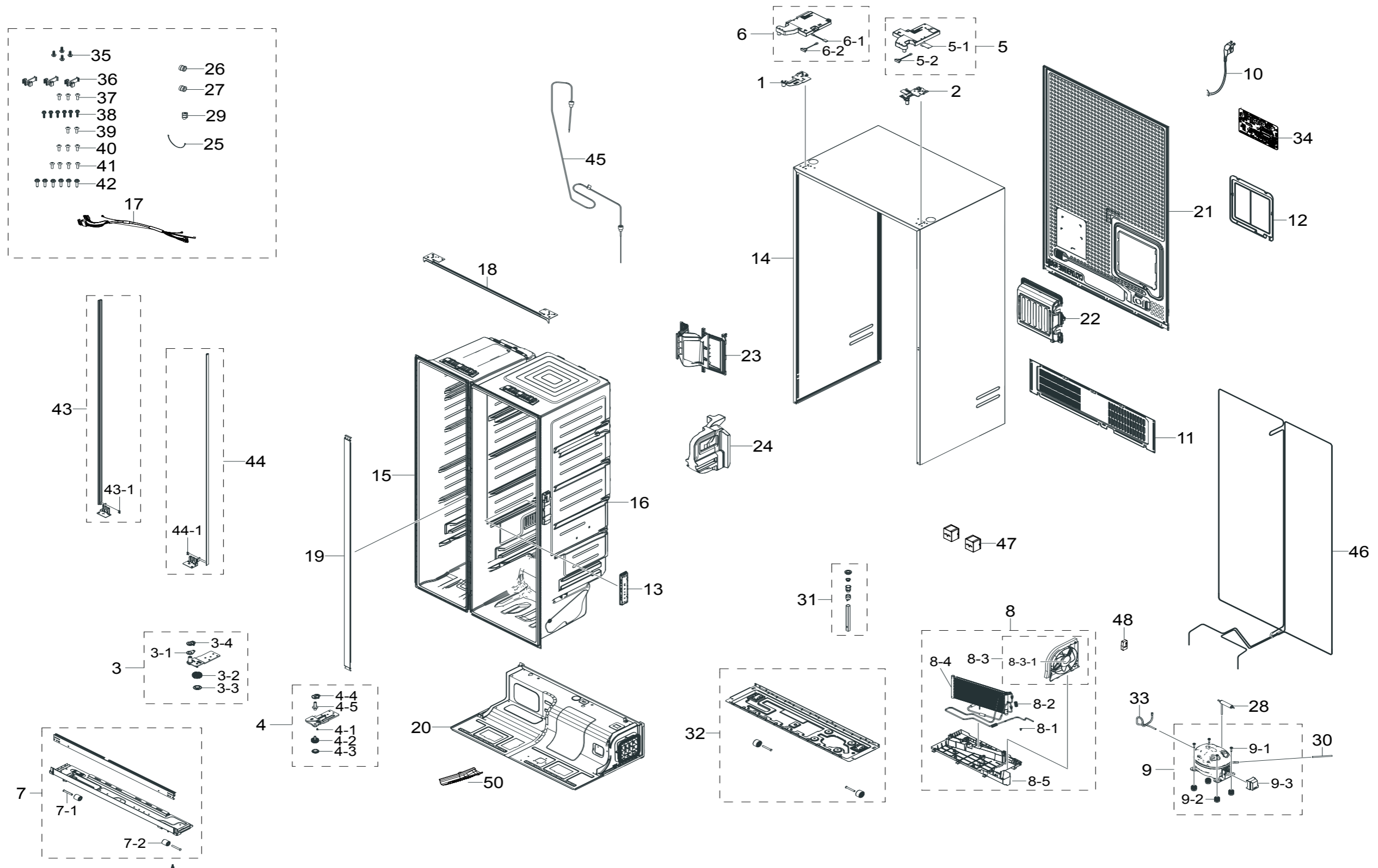






# EXPLODED VIEW PART LIST

## · Cabinet



# EXPLODED VIEW PART LIST

## • Parts List of Cabinet

No.	Parts Code	Parts Description	Spec.	Qty	SA/SNA
1	DA97-14040B	ASSY HINGE-UP LEFT	RS5000RC,T3	1	SA
2	DA97-14044B	ASSY HINGE-UP RIGHT	RS5000RC,T3	1	SA
3	DA97-14046F	ASSY HINGE-LOW LEFT	RS5000RC,T5	1	SA
3-2	DA61-07972B	FOOT-FRONT	POLARIS,PP,BLACK,INSERT NUT, PP_S,0103-007539,RM60,Y	1	SA
3-3	DA61-07973B	FOOT	POLARIS,PP,BLACK,PP_S,0103-007539,RM60,Y	1	SA
3-4	DA66-01127A	CAM RISER-FRE LOW	FSR CD,PA66,BLACK,KN333G15,ANNEALING	1	SA
4	DA97-14047E	ASSY HINGE-LOW RIGHT	RS5000RC,T7	1	SA
4-1	6002-000217	SCREW-TAPPING	TH,+ ,NO,1,M4,L8,ZPC(WHT),SWRCH18A	1	SNA
4-2	DA61-09458A	FOOT-FRONT	PP, BLACK,0103-001846,0103-007621,BJ750	1	SA
4-3	DA61-09459A	FOOT	PP, BLACK,0103-001846,0103-007621,BJ750	1	SA
4-4	DA66-00891A	CAM-HINGE RISER REF LOW	MONTES ALPHA,PA66,BLACK,KN333G15,ANNEALING	1	SA
4-5	DA66-00911C	SHAFT HINGE	POLARIS,SWRCH10A,WHITE,FORGING PROCESSING	1	SNA
5	DA97-19900A	ASSY COVER HINGE-UP RIGHT	RS5000RC,HIPS,T2.3,INOX GRAY	1	SA
5-1	DA34-00043A	SWITCH REED	UL1007 AWG 22,100mm,DEM1-B5034,13mm,25mm,100mm	1	SNA
5-2	DA92-00817A	ASSY MODULE	BUZZER PBA,RB6000K	1	SA
6	DA97-19901A	ASSY COVER HINGE-UP LEFT	RS5000RC,HIPS,T2.3,INOX GRAY	1	SA
6-1	DA32-00074A	SENSOR HUMIDITY	5V,0-100%RH,REF	1	SA
6-2	DA34-00043A	SWITCH REED	UL1007 AWG 22,100mm,DEM1-B5034,13mm,25mm,100mm	1	SNA
7	DA97-16686E	ASSY CABI FRAME-LOW	RS5000RC,URBAN SILVER	1	SNA
7-1	DA61-01920A	FIXER-CASTER	ZPC2,SWRCH10A,OD8.0,L58	2	SA
7-2	DA61-07592B	CASTER-FRONT	RS6500K,PP,BLACK,BLACK	2	SA
8	DA97-19918A	ASSY TRAY DRAIN WATER	RS5000RC,PFC B(FLAT), C150, T1.5	1	SA
8-1	DA60-10130B	SCREW-TAPPING	TH,-,-,M4.2,L13,ZPC(WHT),SWRCH18A,-,-	1	SA
8-2	DA63-07323A	GROMMET-IMMERSION PIPE B	ROMANEE CONTI,NBR,BLACK	4	SA
8-3	DA97-20025B	ASSY SUPPORT-CIRCUIT MOTOR	RS5000RC,C160N,Flat Cable Connector	1	SA
8-3-1	DA31-00348B	MOTOR BLDC FAN	Z19W12MS1A5-52K09,1080rpm,12V,0.11A,1.32W,C160N,Flat Cable Connector	1	SNA
8-4	DA97-17855C	ASSY CONDENSER-MAIN	RS8000NC,PFC + BRACKET CONDENSER LOW,A1100,PLATE,PLATE,-,-,-	1	SNA
8-5	DA97-19936A	ASSY TRAY DRAIN WATER-SUB	RS5000RC,In House assembly	1	SA
9	NF54M5151ARTT3	CMP,COMP,REFRIGERATOR,R-600A	0	1	-
9-1	6011-004061	BOLT-HEX	M6,L43.6,ZPC(SILVER),HH,SOCKET,SWRCH10A	4	SA
9-2	DA63-02617C	GROMMET COMP	NN34J9902A,PIR,BLACK,H28.3, L21.3	4	SA
9-3	DA63-06122A	COVER RELAY	MSV,MPPE,T2,BLACK,N300X,V-0	1	SA
10	3903-001011	POWER CORD-AT	H05VV-F 3x0.75mm2,BLK,EU3F,250V/16A,Fuse N,SCREW 1,2P Housing(W to W),L1700,L1500,20/100/100/200,E.U/KOR,VDE/KC,Label Y	1	SA
11	DA97-19123B	ASSY COVER COMP	RS5000RC,GI-SGCC,T0.25,Indonesia	1	SA
12	DA97-19902A	ASSY COVER PCB-PANEL	RS5000RC,GI-SGCC,T0.5	1	SA
13	DA97-19962F	ASSY COVER CONTROL	RS5000RC,2-DOOR,DISP,NON-PLUMBING	1	SA
14	DA64-05935A	CABI FRAME	RS5000RC,GI-SGCC,T0.45,URBAN SILVER,PCMEM	1	SNA
15	DA94-04691A	ASSY LINER-FRE	RS5000RC	1	SNA

# EXPLODED VIEW PART LIST

## • Parts List of Cabinet

No.	Parts Code	Parts Description	Spec.	Qty	SA/SNA
16	DA94-04692C	ASSY LINER-REF	RS5000RC,2DOOR,NON PLUMBING	1	SNA
17	DA96-01454F	ASSY WIRE HARNESS-MAIN	RS5000RC,2D,DISP,NONPB,SBS,6,4,YES,YES,YES,220~240V AC,UL+IEC,UL,UL,BACK-LEFT-LOW,LEFT1,INV,BLDC,BLDC,D C,DC,2,NA,NA,1,CH	1	SNA
18	DA97-05768D	ASSY REINF-REF UP	RS5000RC	1	SNA
19	DA97-07707J	ASSY CABI FRAME-MIDDLE FRONT	RS5000RC,0.6,THAI-SILVER	1	SNA
20	DA97-19961C	ASSY CABI-BOTTOM REAR	RS5000RC,NON-PLUMBING	1	SNA
21	DA97-19966A	ASSY CABI-REAR	RS5000RC,NON PLUMBING	1	SNA
22	DA97-19967A	ASSY CASE PBA-MAIN	RS5000RC	1	SNA
23	DA97-19969A	ASSY DUCT-UP	RS5000RC	1	SNA
24	DA97-19971A	ASSY DUCT-LOW	RS5000RC,PS FOAM	1	SNA
25	DA39-00429D	ASSY WIRE HARNESS-EARTH	EARTH,ALL,,,,,FREE VOLT,UL+IEC,UL,,,,120mm,1, ST710489-3*2,,,,,,	1	SA
26	DA60-00280A	FITTING-LOKRING 33	SUM23,ID3/16,33,11SMnPb30K	1	SA
27	DA60-00281A	FITTING LOCK SLEEVE	SUM23,ID5.02,11SMnPb30K,St 56	1	SA
28	DA62-01469H	DRYER	C1220T-H,115,SINGLE MOUTH	1	SA
29	DA63-08943A	GROMMET	BRR9000M,NBR,CAPI GROMMET	1	SA
30	DA73-00050G	PIPE-CONN	Cu,OD6.35,T0.6	1	SA
31	DA97-20826A	ASSY CAP DRAIN	RS5000T,Performance improvement	1	SA
32	DA97-19917A	ASSY CHASSIS COMP	RS5000RC,GI-SGCC,T1.0,No Handle	1	SA
33	DA97-20233A	ASSY PIPE CONNECT	RS5000RC,PIPE CONNECT SUCTION + Solder ring,-,-,-,-,-	1	SNA
33-1	DA62-05167A	PIPE CONNECT-SUCTION	RS8000NC,Cu,OD6.35,T0.6	1	SA
34	DA94-04604K	ASSY PCB EEPROM	0xBE,DA92-01138K,D601 D603 D604 D605 D606 D608,RS5000RC	1	SA
34-1	DA92-01138K	ASSY PCB MAIN	RS5000R,165*242,220V,DISPENSER,2DOOR,NON PLUMBI NG,220V,REACTOR,Y,SMPS,Standard	1	SNA
34-1-1	2203-007392	C-CER,CHIP	2.2uF,10%,16V,X5R,TP,1005,T0.5,-55to+85C,General	4	SNA
35	DA60-10124A	BOLT-HEX	M6,L16,ZPC(WHT),SWRCH18A,HWH Head	4	SA
36	DA61-13371A	FIXER	RH9000,PVC,T1.5,NATURAL,CABI MID FRONT(FLAT)	3	SNA
37	DA60-10130B	SCREW-TAPPING	TH,-,-, M4.2,L13,ZPC(WHT),SWRCH18A,-,-	3	SA
38	DA60-10123C	BOLT-HEX	M6,L24,ZPC(WHT),SWRCH18A,HWH Head,1018K	6	SA
39	DA60-10130B	SCREW-TAPPING	TH,-,-, M4.2,L13,ZPC(WHT),SWRCH18A,-,-	2	SA
40	DA60-10130B	SCREW-TAPPING	TH,-,-, M4.2,L13,ZPC(WHT),SWRCH18A,-,-	3	SA
41	DA60-10130B	SCREW-TAPPING	TH,-,-, M4.2,L13,ZPC(WHT),SWRCH18A,-,-	4	SA
42	DA61-02049A	FIXER-SCREW	SSEC,ZPC(WHT),BOLT,6*16	6	SA
43	DA97-19926A	ASSY REINF-LEFT	RS5000RC	1	SNA
43-1	6002-000217	SCREW-TAPPING	TH,+ ,NO,1,M4,L8,ZPC(WHT),SWRCH18A	2	SNA
44	DA97-19927A	ASSY REINF-RIGHT	RS5000RC	1	SNA
44-1	6002-000217	SCREW-TAPPING	TH,+ ,NO,1,M4,L8,ZPC(WHT),SWRCH18A	2	SNA
45	DA97-19915A	ASSY PIPE SUCTION	RS5000RC,OD6.35,T0.35,-,-,-,-,-	1	SNA
46	DA97-19916A	ASSY PIPE HOT	RS5000RC,2DOOR,-,-,-,-,-	1	SNA
47	DA63-03788B	COVER-FIXER HOUSING	W07,GI-SGCC,T0.4	2	SA
48	DA62-02507A	SEAL GUIDE PIPE	RB5000J,PE FOAM,T20,FIX DRYER/CAPI, Dinking	1	SA
50	DA63-09452A	COVER PIPE-REAR	RS6500KC,POM,T1.5,NATURAL,K300	1	SA