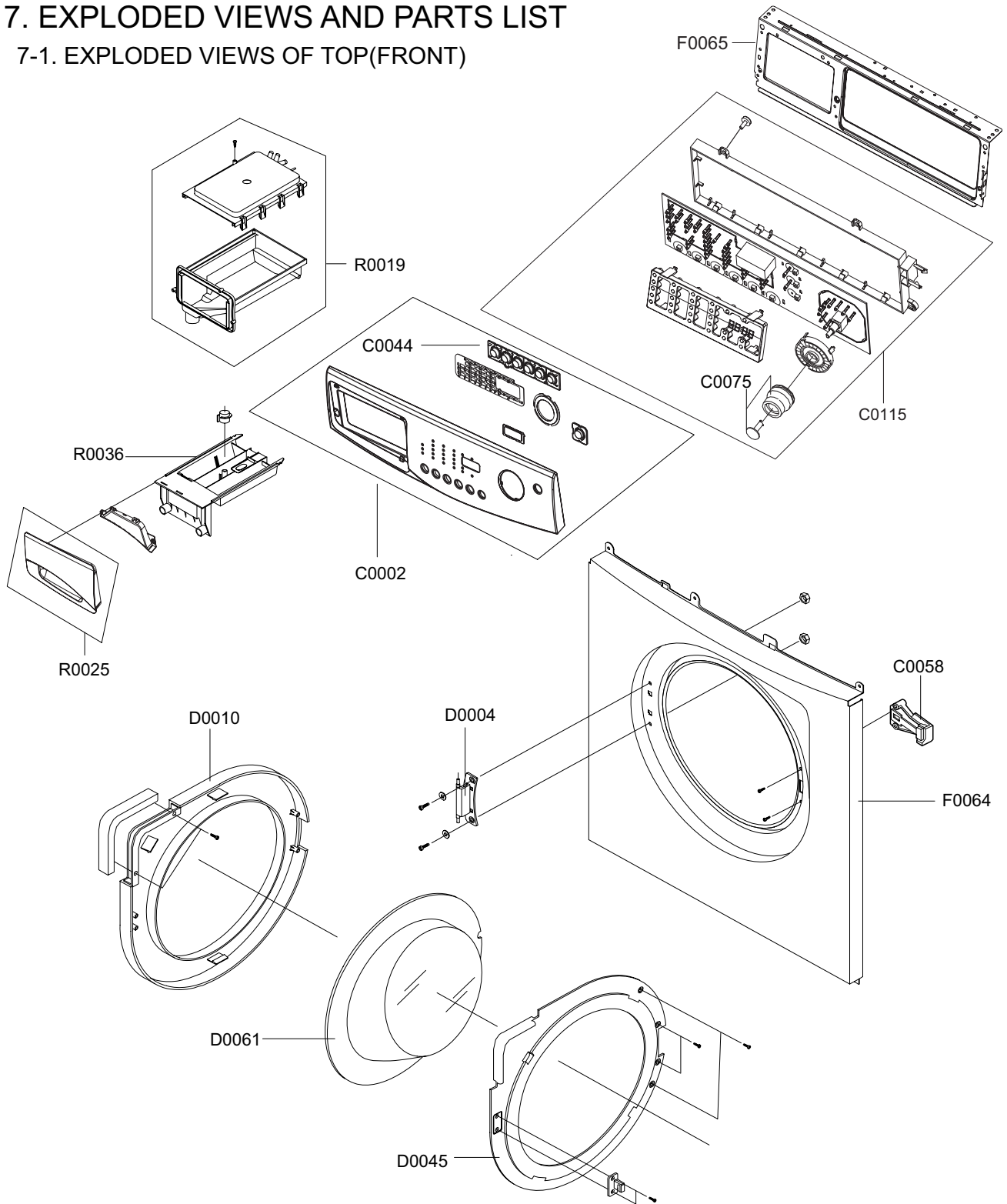


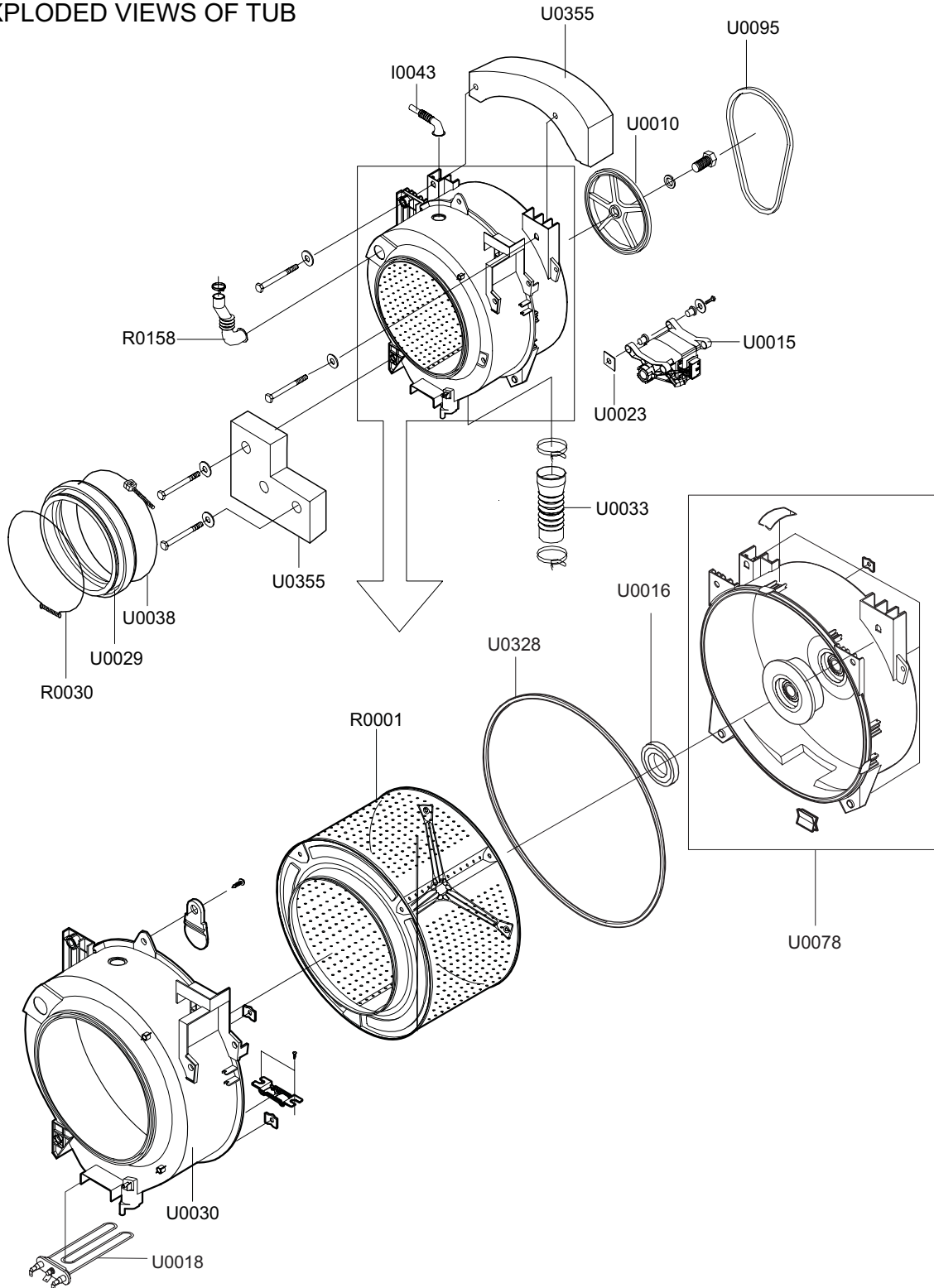
## 7. EXPLODED VIEWS AND PARTS LIST

### 7-1. EXPLODED VIEWS OF TOP(FRONT)



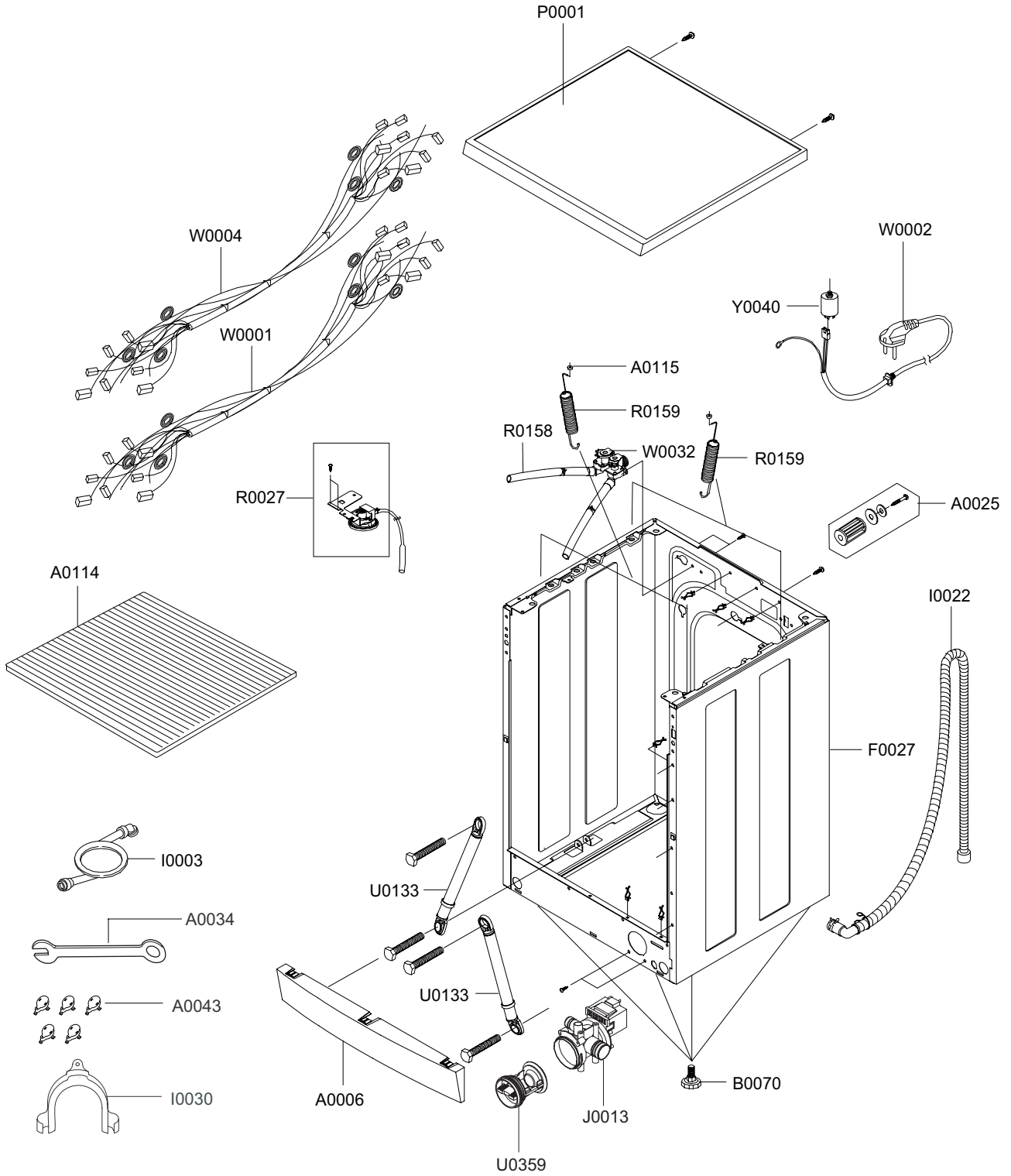
TOP(FRONT)

7-2. EXPLODED VIEWS OF TUB



(TUB)

7-3. EXPLODED VIEWS OF CASE



**(CASE)**

## PART LIST

SVC LOC	CODE NO	DESCRIPTION	SPECIFICATIONQ	Q' TY	SA/SNA
A0006	DC63-00625A	COVER-FRONT (L)	SEW-DR803BT, PP, -, -, -, -, -	1	SA
A0025	DC97-02106C	ASSY-FIXER TUB	SEW-3HR105, L114. 5	5	SA
A0034	DC60-40146A	BOLT-SPANER	-, HR, -, T2. 3, OD36, -, BLK, -, -	1	SA
A0043	DC61-10688A	CAP-FIXER	SWF-P12, PP (TB53), -, -, -, WHT, -	5	SA
A0114	DC64-00587A	SHUTTER	Q1636GW/XEU, DNAPLA, -, -, -, WHT, PP (	1	SA
A0115	DC61-60180A	SLEEVE-PLUG	NYLON#6, SEW-720DR, -, -, NTR	2	SA
A0132	DC61-10673A	CAP-DRAIN	SWF-P12, PP (TB53), -, -, -, WHT, -	1	SA
A0282	DC63-00414B	COVER-BACK	SEW-3HR103BT, GI, TO. 4, -, -, -, -	1	SA
A0362	DC61-40081A	HOLDER-WIRE	DAWH-2NC, NYLON66, -, -, -, -, NTR	5	SA
B0070	DC97-00920C	ASSY-LEG	SEW-HW108, -	4	SA
C0002	DC97-13027A	ASSY-PANEL CONTROL	WF6702N7W/YMF, 7KG/FRE	1	SA
C0043	DC64-01228B	BUTTON-PUSH (F)	CATS2-PJT, ABS, -, -, NEAT-WH	1	SA
C0044	DC64-01229A	BUTTON-PUSH (P)	CATS2-PJT, ABS, -, -, -, -	1	SA
C0058	DC64-00120E	DOOR-LOCK S/W	760DR, NYLON, -, WHT, -, -, VDE/	1	SA
C0075	DC64-01226A	KNOB-ENCODER	CATS2-PJT, ABS, -, -, -, -, -, -	1	SA
C0075	DC64-01227A	BUTTON-ENCODER	CATS2-PJT, ABS, -, -, -, -	1	SA
C0103	DC66-00141A	LEVER-DOOR	P1092, ZnDC, -, -, -, -, -, DOOR LOC	1	SA
C0115	MFS-C2J12NA-00	ASSY-PCB PARTS	MFS-C2J12NA-00	1	SA
C0116	DC66-30160A	LEVER	PE, L335, SWF-P12 (ORG)	1	SA
D0004	DC97-00100C	ASSY-HINGE	S1005J, OPEN ANGLE 180DEG	1	SA
D0010	DC97-04751D	ASSY-COVER DOOR	P1405J/SEW-660DW, CR_COAT	1	SA
D0045	DC97-03423A	ASSY-HOLDER GLASS	P1405J, ABS, WHT, CUSION-	1	SA
D0061	DC64-00920C	DOOR-GLASS	S, P, F MODEL (LOW), GLASS, T5. 0, H	1	SA
F0027	DC99-00662A	ASSY-PAINT FRAME	WF-J1456C, T1. 0/NEAT-WHT	1	SA
F0064	DC97-00416A	ASSY-FRAME FRONT	SWF-P12, FRAME-FRONT	1	SA
F0065	DC97-05134C	ASSY-FRAME PLATE (U)	WF-B125AV/YLP, T-PJT/	1	SA
I0003	DC62-10289C	HOSE-WATER (C)	RUSSIA, PVC+NYLON, ID10. 3, -,	1	SA
I0022	DC97-00139F	ASSY-HOSE DRAIN (O)	DRUM, PP/L1970/CHINA	1	SA
I0030	DC62-10278A	HOSE-HANGER	-, PP (JS20), -, -, -, -, NTR, -	1	SA
I0041	DC62-10311A	HOSE-PRESSURE	-, EPDM, ID13. 5, -, -, -, BLK, SW	1	SA
I0043	DC62-10303A	HOSE-AIR	-, EPDM, ID24, -, -, L130, BLK, SWF-P1	1	SA
I0046	DC62-10302A	HOSE-DRAIN	SWF-P12, EPDM, ID5. 5, -, -, L220, B	1	SA
J0019	DC61-10652B	CASE-PUMP	PP (5113MF6), SW-5C1P, -, -, -, WHT,	1	SA
J0020	DC63-00443B	COVER-PUMP	SEW-HR125, PP, T1. 3, -, -, -, -, WHT	1	SA
J0025	DC31-30008D	PUMP-DRAIN	SW-70XP, 220/240V, 50Hz, SYNCHRO	1	SA
P0001	DC97-09921F	ASSY-COVER TOP	J1484/HAC, MDF/NEAT-WHT WI	1	SA
R0001	DC97-05848B	ASSY-DRUM	J1455AVIW/XSA, JUMP2-PJT/SSEC	1	SA

## PART LIST

SVC LOC	CODE NO	DESCRIPTION	SPECIFICATIONQ	Q' TY	SA/SNA
R0007	DC97-05103A	ASSY-FLANGE SHAFT	Q1435V, ALDC+SM45C/FOR6	1	SA
R0019	DC97-11440D	ASSY-HOUSING DRAWER	TRIUMPH J2 MODEL, COL	1	SA
R0025	DC97-11386A	ASSY-PANEL DRAWER	CAT' S 2 -PJT, -	1	SA
R0027	DC97-00731A	ASSY-SENSOR PRESSURE	P1091, S-PRE+BRACKET+	1	SA
R0030	DC91-12078C	ASSY-WIRE DIAPHRAGM	TS-2, Q1636, FE, SW-C, Z	1	SA
R0036	DC61-01616A	BODY-DRAWER	STANDARD (B/P/J), PP, -, -, -, -	1	SA
R0106	DD60-50018A	NUT-FLANGE	-, M5XPO. 8, FZY, MSWR10, -	2	SA
R0124	DC61-01416A	STOPPER-DRAWER	T-PJT, POM (F20-02), T2. 5, -	1	SA
R0158	DC62-10305A	HOSE-DRAWER TUB	-, EPDM, ID35, -, -, L158, BLK	1	SA
R0158	DC67-00051D	HOSE-DRAWER	S1093~S6093, EPDM, -, -, -, -, BLK	0.44	SA
R0159	DC61-00952A	SPRING-HANGER	SEW-3HR105, -, CD3. 5, -, OD25.	2	SA
U0003	DC60-60044A	WASHER-PLAIN	-, ID10. 5, OD30, T3, -, STS304	2	SA
U0004	DC63-10003C	SPONGE-HOSE AIR	POL, GRY, SWF-P12, HB22-GRE	1	SA
U0010	DC66-00327A	PULLEY	Q1636GW/XEU, ALDC8-1, -, -, -, OD296. 8	1	SA
U0012	DC61-01447A	BRACKET-HEATER	V7, STS430, T0. 6mm, W30mm, L1	1	SA
U0015	DC31-00002A	MOTOR-DRUM	MCC52/64-148/SEC2, 220~240V, 50	1	SA
U0016	DC62-00160A	SEAL-OIL	TS0-PJT, NBR (SD35), BLK, -, -, -, JIN	1	SA
U0018	DC47-00007A	HEATER	-, DRUM-MDL, SUS316L, -, -, 230V, 20, -	1	SA
U0023	DC61-00201A	BRACKET-NUT	SBHG-R, P1291, T3, -, -, -, NO-PAI	1	SA
U0023	DC61-40348B	BRACKET-NUT	SBHG-R, P1291, T3, -, -, -, NO-PAI	5	SA
U0023	DC61-40348B	BRACKET-NUT	SBHG-R, P1291, T3, -, -, -, NO-PAI	2	SA
U0029	DC61-20219E	DOOR-DIAPHRAGM	SEW-HW107, EPDM, -, -, -, GR	1	SA
U0030	DC61-30346C	TUB-FRONT	P1405J, FRPP (FRPP15%) SAMBACK, -	1	SA
U0033	DC62-10304A	HOSE-FILTER TUB	-, EPDM, ID65, -, -, L151, BLK	1	SA
U0035	DC62-20311A	VANE-CHECK	SWF-P12, EPDM, -, -, BLK, -	1	SA
U0038	DC91-12077D	ASSY-CLAMP DIAPHRAGM	WF-B853/XSC, SWF-12/	1	SA
U0078	DC97-10977K	ASSY-SEMI TUB BACK	J1455, FRPP (GF15%)	1	SA
U0082	DC62-00116A	FILTER-NET	P1205J, EPDM+STS304, -, OD25, ID9	1	SA
U0086	DC67-00079A	WEIGHT-BALANCER (F)	SEW-HW107, FE, -, -, -, RE	1	SA
U0095	6602-001199	BELT-TIMING GEAR	1275JMA, POLYURETHAN, T3.	1	SA
U0133	DC66-00421A	DAMPER-SHOCK	F-PJT, FRICTION-DAMPER, -, -, -	2	SA
U0320	6011-001497	BOLT-HEX	M7, L112. 5 (44), ZPC (YEL), SWRCH18A	1	SA
U0320	DC60-40141A	BOLT-HEX	SM10C/DAMPER, HEX, M8, L66, -, ZPC2 (	2	SA
U0320	DC60-40144A	BOLT-HEX	M10, L41, ZPC2 (YEL), SM10C/DAMPER	2	SA
U0328	DC62-40183A	PACKING-TUB	SWF-P12, EPDM, -, -, -, -, BLK, -	1	SA
U0353	DC61-60359E	CLAMPER HOSE	F1235AS/F1035AS, -, -, ID7. 8, Y	1	SA
U0353	DC61-60497A	CLAMPER HOSE	SWF-P12, HSWR, -, ID70/OD75. 8,	1	SA

## PART LIST

SVC LOC	CODE NO	DESCRIPTION	SPECIFICATIONQ	Q' TY	SA/SNA
U0353	DC61-60359G	CLAMPER HOSE	F1235AS/F1035AS, -, -, ID37. 2,	1	SA
U0353	DC61-00133A	CLAMPER HOSE	P1291, PP (BJ-730), ID24. 5, OD2	1	SA
U0355	DC67-00105A	WEIGHT-BALANCER	SEW-3HR105, GC-150, -, -, -,	1	SA
U0355	DC67-00106A	WEIGHT-BALANCER	SEW-3HR105, GC-150, -, -, -,	1	SA
U0359	DC62-00066A	FILTER-CASE	-, PP, -, -, -, -, BLK/SW90V2	1	SA
U0360	DC61-60499B	CLIP-TUB	HSWR, P1291, -, NO/PAINT,	8	SA
U0360	DC61-60520A	CLIP-TUB	SK5, SWF-P12, -, PLATE-TYPE,	2	SA
W0001	DC96-00989B	ASSY-WIRE HARNESS	J1484/HAC, AC220V/50Hz/	1	SA
W0002	DC96-00146A	ASSY POWER CORD	UCP2, -, 250V/16A, -, -, -, -,	1	SA
W0004	DC96-00954B	ASSY-M. WIRE HARNESS	CAT' S 2 B/J AUTO DOO	1	SA
W0010	DC63-00651A	COVER-HEATER	Q1657TGW/XEU, GI, TO. 4, -, -, -,	1	SA
W0031	DC65-60118J	BAND-RING	-, HSWR, -, -, -, YEL, PI2. 0/ID23	1	SA
W0040	DC62-00024F	VALVE-WATER	B1215J, NYLON66/250TRMN, -, -, N	1	SA
Y0035	DE65-20026A	CABLE CLAMP	-, NYLON66, -, NYLON66, NTR, NTR,	2	SA
Y0040	DC29-00005B	FILTER-EMI	FA-2151T-2, 1. 2MM NUT, 250V, 15A	1	SA
Z0006	DC97-02412A	ASSY-BOLT	SWF-P12, MOTOR, M8*L62	3	SA
Z0006	DC97-02412B	ASSY-BOLT	SWF-P12, WEIHGT (L) /M8*L147	1	SA
Z0006	DC97-02412D	ASSY-BOLT	Q1636, WEIHGT (U) /M8*L103	1	SA
Z0006	DC97-02412H	ASSY-BOLT	Q1657, -	1	SA
	DC60-60040A	FASTENER-WASHER	-, ID10. 5, OD32, T2, -, PBSP-	5	SA