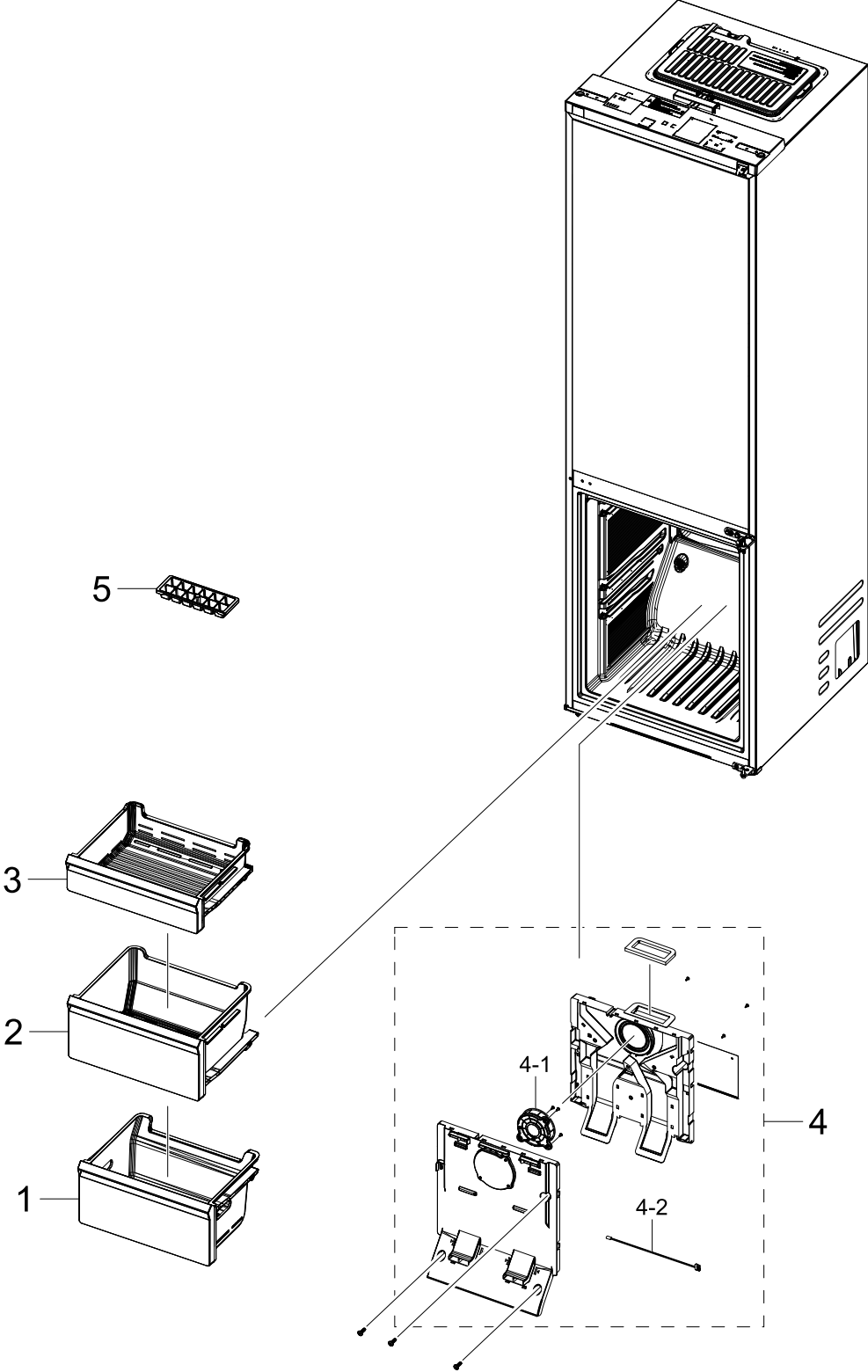


1. Freezer

Freezer

Exploded View



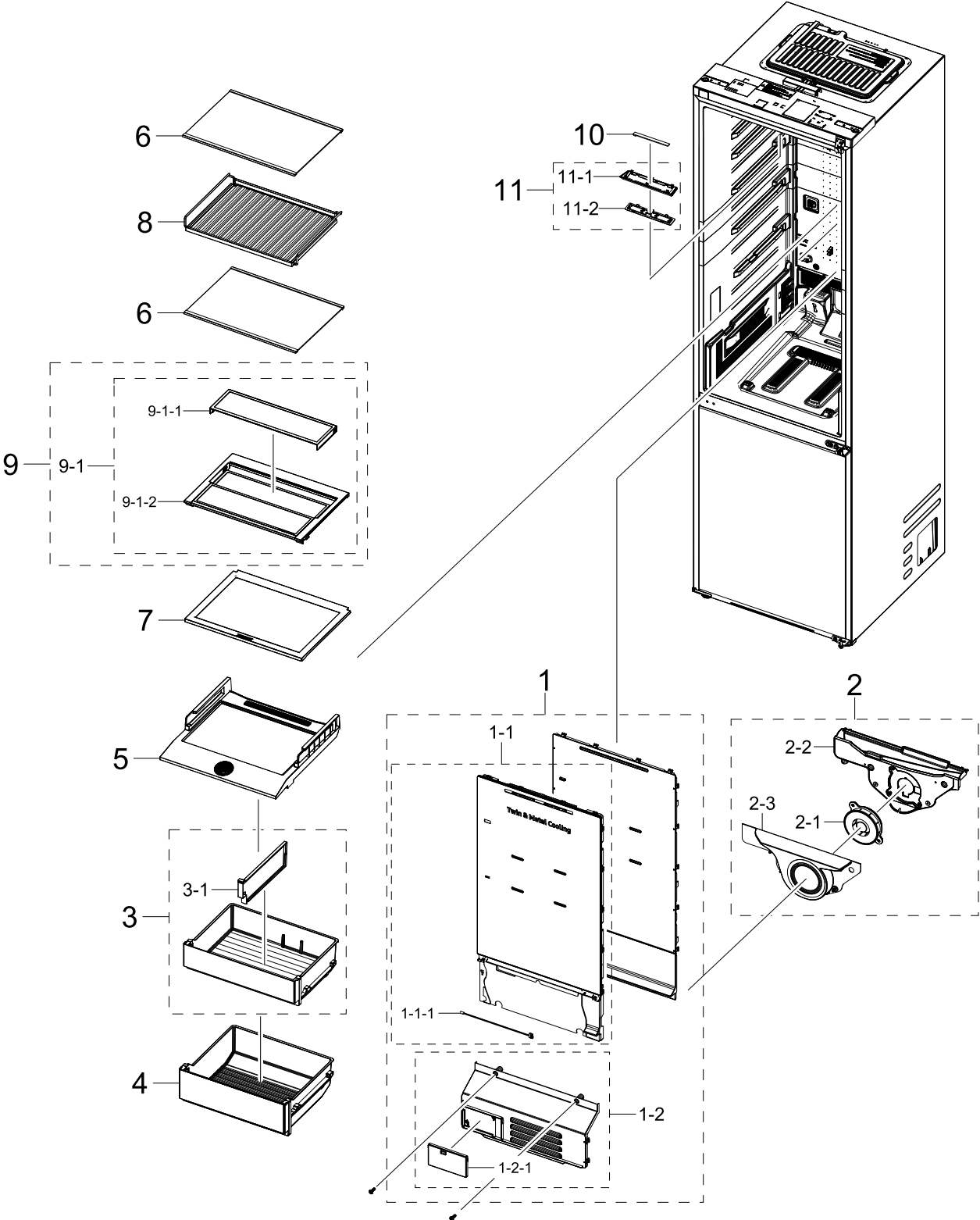
Parts List

No.	Lvl.	Loc.	Material Code	Description & Specification	SNA	Qty.
1	2	G0267	DA97-21136B	ASSY TRAY-FRE LOW DRAWER MODULE; RB7300T,	SA	1
2	2		DA97-21135B	ASSY TRAY-FRE MIDDLE DRAWER MODULE; RB730	SA	1
3	2	M0483	DA97-21134B	ASSY TRAY-FRE UP DRAWER MODULE; RB7300T,T	SA	1
4	2	M0303	DA97-21145A	ASSY COVER EVAP-FRE COVER EVAP MODULE; RB	SA	1
4-1	3		DA31-00334C	MOTOR BLDC FAN; 12035GE-12M-YT,1775 7%,1	SA	1
4-2	3	A1018	DA32-10105X	SENSOR TEMP; QUEEN PJT,-40~120°C,5V,F-SE	SA	1
5	2		DA67-40146A	TRAY ICE-ICE MODULE; RB7300T,PP,T1.5,HB,N	SNA	1

2. Refrigerator

Refrigerator

Exploded View



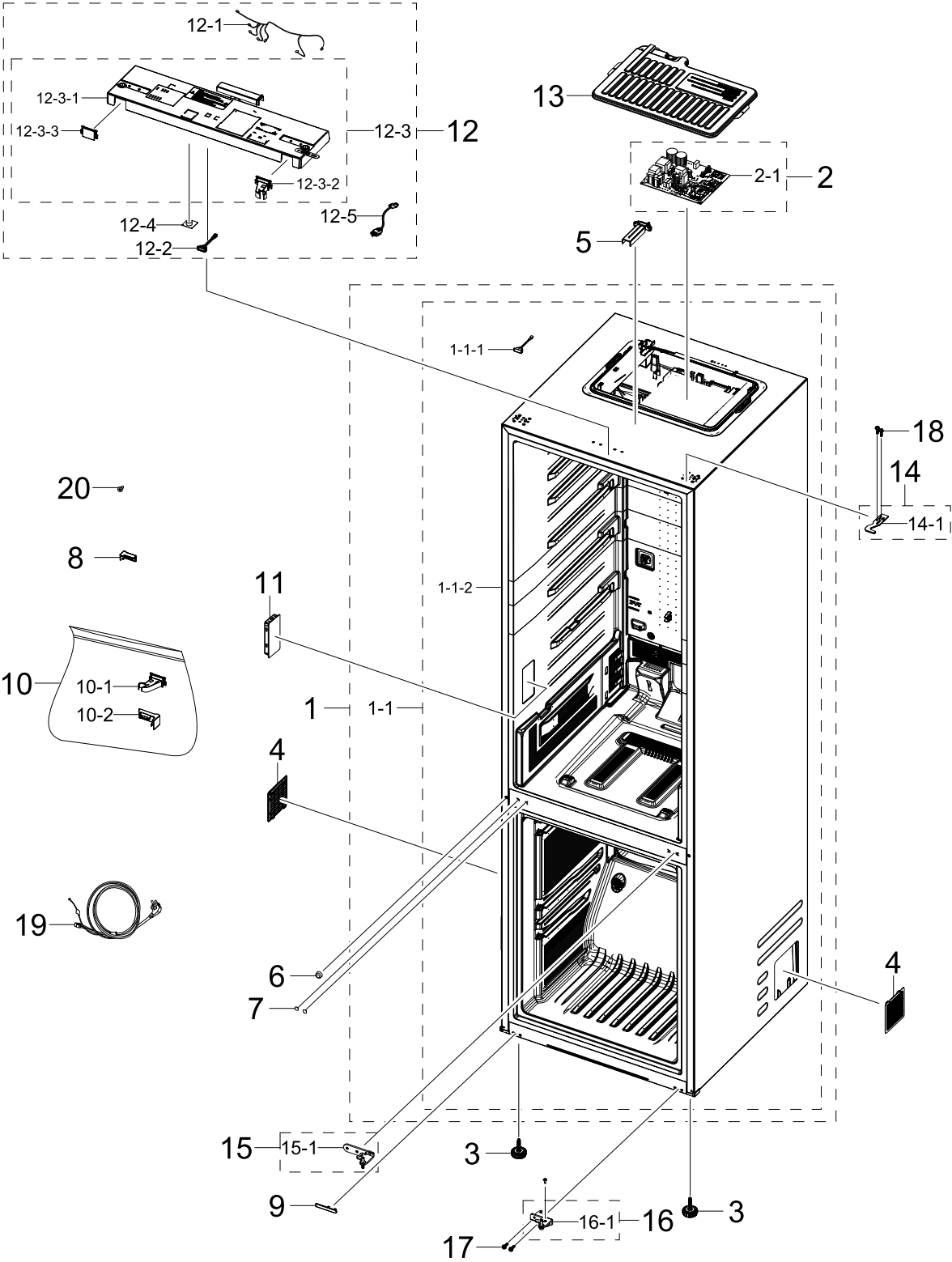
Parts List

No.	Lvl.	Loc.	Material Code	Description & Specification	SNA	Qty.
1	2	Z1177	DA97-22031A	ASSY COVER EVAP-REF; RB7300T TWIN	SA	1
1-1	3	Z1177	DA97-22509A	ASSY COVER EVAP-REF; RB7300,sub assy, sen	SNA	1
1-1-1	4	A1018	DA32-00070E	SENSOR TEMP; SC41198-021A,1100mm,13.2kohm	SA	1
1-2	3	A0678	DA97-22130A	ASSY COVER DAMPER-REF; RB7300T TWIN,Sub A	SA	1
1-2-1	4		DA63-06337D	COVER CONVERTIBLE-MULTI; RB7300,PP,HB,COO	SA	1
2	2		DA97-22132A	ASSY CASE MOTOR-REF; RB7300T TWIN	SA	1
2-1	3		DA31-00334D	MOTOR BLDC FAN; 12035GE-12M-YT,1775 7%,1	SA	1
2-2	3		DA61-14589A	BRACKET MOTOR-REF A; RB7300T TWIN,ABS,T2,	SNA	1
2-3	3		DA61-14590A	CASE MOTOR-REF; RB7300T TWIN,ABS,T2,BLACK	SNA	1
3	2		DA97-21132B	ASSY CASE VEG-UP DRAWER MODULE; RB7300T,T	SA	1
3-1	3		DA61-14031A	GUIDE TRAY-REF; RB7300T,HIPS,T2.5,576H,CO	SA	1
4	2	M0300	DA97-21133B	ASSY CASE VEG-LOW DRAWER MODULE; RB7300T,	SA	1
5	2		DA97-21137A	ASSY SHELF-VEG LOW SHELF MODULE; RB7300T,	SA	1
6	2		DA97-21494A	ASSY SHELF-GLASS REF SHELF MODULE; RB7300	SA	2
7	2		DA97-22097A	ASSY SHELF VEG-UP; RB7300T TWIN,TWIN 2TEM	SA	1
8	2		DA97-21091A	ASSY SHELF WIRE-SHELF MODULE; RB7300T,WIN	SA	1
9	2		DA97-21092A	ASSY SHELF FOLDER-SHELF MODULE; RB7300T,F	SA	1
9-1	3		DA97-23089A	ASSY SHELF FOLDER; RB7300T,ASSY SHELF FOL	SA	1
9-1-1	4		DA67-05020A	SHELF FOLDER-REAR; RB7300T,HIPS,COOL WHIT	SA	1
9-1-2	4		DA67-05022A	SHELF FOLDER-MIDDLE; RB7300T,PP,COOL WHIT	SA	1
10	2		DA96-01119A	ASSY LAMP LED; 3EA,FR-4,150*12,WHITE,SMAW	SA	1
11	2		DA97-21569A	ASSY COVER LAMP; RB7300T,COVER LAMP, ASSY	SA	1
11-1	3	A0190	DA61-14156A	CASE LAMP; RB7300T,HIPS,T2,COOL WHITE,-,5	SNA	1
11-2	3	A0280	DA63-09898A	COVER LAMP; RB7300T,GPPS,T2,HB,TP BLUE,-,	SNA	1

3. Cabinet

Cabinet

Exploded View



Parts List

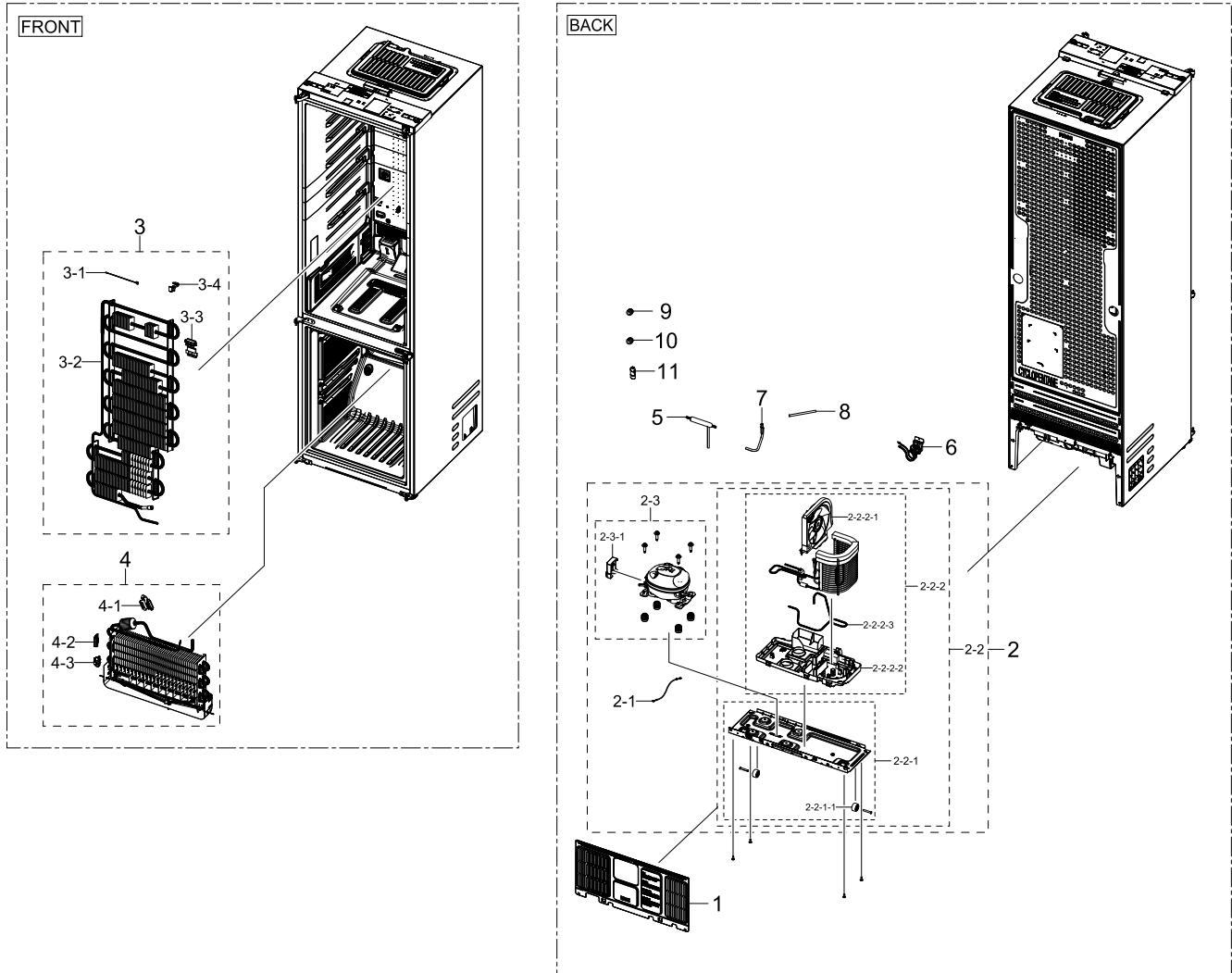
No.	Lvl.	Loc.	Material Code	Description & Specification	SNA	Qty.
1	2		DA97-22083G	ASSY CABI FORM-CABI MODULE; RB7300T(B),TW	SNA	1
1-1	3	A0137	DA94-05914G	ASSY LINER; RB7300T(B),TWC,RB38,A GRADE	SNA	1
1-1-1	4		DA34-00043J	SWITCH REED; UL1007 AWG 22,50mm	SA	1
1-1-2	4		DA61-14603A	LINER; RB7300,HIPS,S834S1,TWIN,0103-00325	SNA	1
2	1		DA94-05957A	ASSY PCB EEPROM; 0x20,DA92-01297E,D601,D6	SA	1
2-1	2	A0952	DA92-01297E	ASSY PCB MAIN; TWIN COOLING,RB7300T,160*1	SNA	1
3	2	Z1128	DA61-07546B	LEG-FRONT; GRAND CRU,PP,BLACK,RM60,PP Scr	SA	2
4	2		DA63-08062A	COVER UNIT; BK,HIPS,HB,INOX GRAY,576H	SA	2
5	2		DA63-09844A	COVER WIRE-CABI; RB7300T,ABS,T2,HB,INOX G	SA	1
6	2		DA67-03725A	CAP SCREW; 3050,PP,HB,49MK45,INOX GRAY	SA	1
7	2		DA67-04049A	CAP HINGE-HOLE; BK,ABS,T2,HB,GP-35,SNOW W	SA	2
8	2		DA67-05190A	CAP SPACE-DOOR LEFT; RB7300T(B),ABS,HG-07	SA	1
9	2		DA67-05095A	CAP SCREW-A; RB7300T,ABS,T1.5,GP-35,COOL	SA	1
10	2		DA91-05606C	ASSY INSTALL-REVERSIBLE KIT; RB7300T(B),C	SNA	1
10-1	3		DA63-11284A	COVER WIRE-HINGE LEFT; RB7300 TWIN,ABS,T1	SA	1
10-2	3		DA67-05191A	CAP SPACE-DOOR RIGHT; RB7300T(B),ABS,HG-0	SA	1
11	2	A0626	DA97-21005Q	ASSY COVER CONTROL; RB7300T,TWIN	SA	1
12	2	A1288	DA97-21246R	ASSY TOP TABLE; RB7300,INOX GRAY,BESPOKE	SA	1
12-1	3		DA96-01418C	ASSY WIRE HARNESS-TOP; RB7300T, Mono,INTE	SA	1
12-2	3		DA34-00043J	SWITCH REED; UL1007 AWG 22,50mm	SA	1
12-3	3		DA97-22073E	ASSY TOP TABLE-FRONT; RB7300T,BESPOKE,DAR	SA	1
12-3-1	4	A1109	DA64-06305A	TOP TABLE; RB7300T,ABS,INOX GRAY	SA	1
12-3-2	4		DA63-11283A	COVER WIRE-HINGE RIGHT; RB7300 TWIN,ABS,T	SA	1
12-3-3	4		DA67-05048A	CAP HINGE; RB7300T,ABS,T2,HB,HG-0760GP,IN	SA	1
12-4	3		DA92-00817A	ASSY MODULE; BUZZER PBA,RB6000K,Standard	SA	1
12-5	3	A1108	DA32-00074A	SENSOR HUMIDITY; 5V,0~100%RH,REF	SA	1

No.	Lvl.	Loc.	Material Code	Description & Specification	SNA	Qty.
13	2		DA97-21372A	ASSY COVER PBA-MAIN; RB7300T,GI-SGCC,T0.4	SA	1
14	2		DA97-22034A	ASSY HINGE-UP; RB7300T(B),T4,BESPOKE	SA	1
14-1	3	M0488	DA61-14608A	HINGE-UP; RB7300T(B),PO-SPHC,T4,-,-,-,-	SNA	1
15	2		DA97-22223A	ASSY HINGE-MIDDLE; RB7300 Bespoke,T4.5,BL	SA	1
15-1	3		DA61-14662A	HINGE-MIDDLE; RB7300T B,PO-SPHC,T4.5,-,-,	SNA	1
16	2	M0344	DA97-22250A	ASSY HINGE-LOW; RB7300T,T4,BLACK,BESPOKE	SA	1
16-1	3	A0247	DA61-14669A	HINGE-LOW; RB7300T,PO-SPHC,T4,-,-,-,-,BES	SNA	1
17	2	A0564	6011-001546	BOLT-HEX; M5(P0.8),L16,ZPC(WHT),HWH,+,SWR	SA	2
18	2	A0564	DA60-10123C	BOLT-HEX; M6,L24,ZPC(WHT),SWRCH18A,HWH He	SA	2
19	2	A0273	3903-001015	POWER CORD-AT; H05VV-F 3x0.75mm2,BLK,EU3F	SA	1
20	2	G0412	6002-001120	SCREW-TAPPING; FH,+,1,M4,L18,ZPC(WHT),SWR	SA	1

4. Cycle

Cycle

Exploded View



Parts List

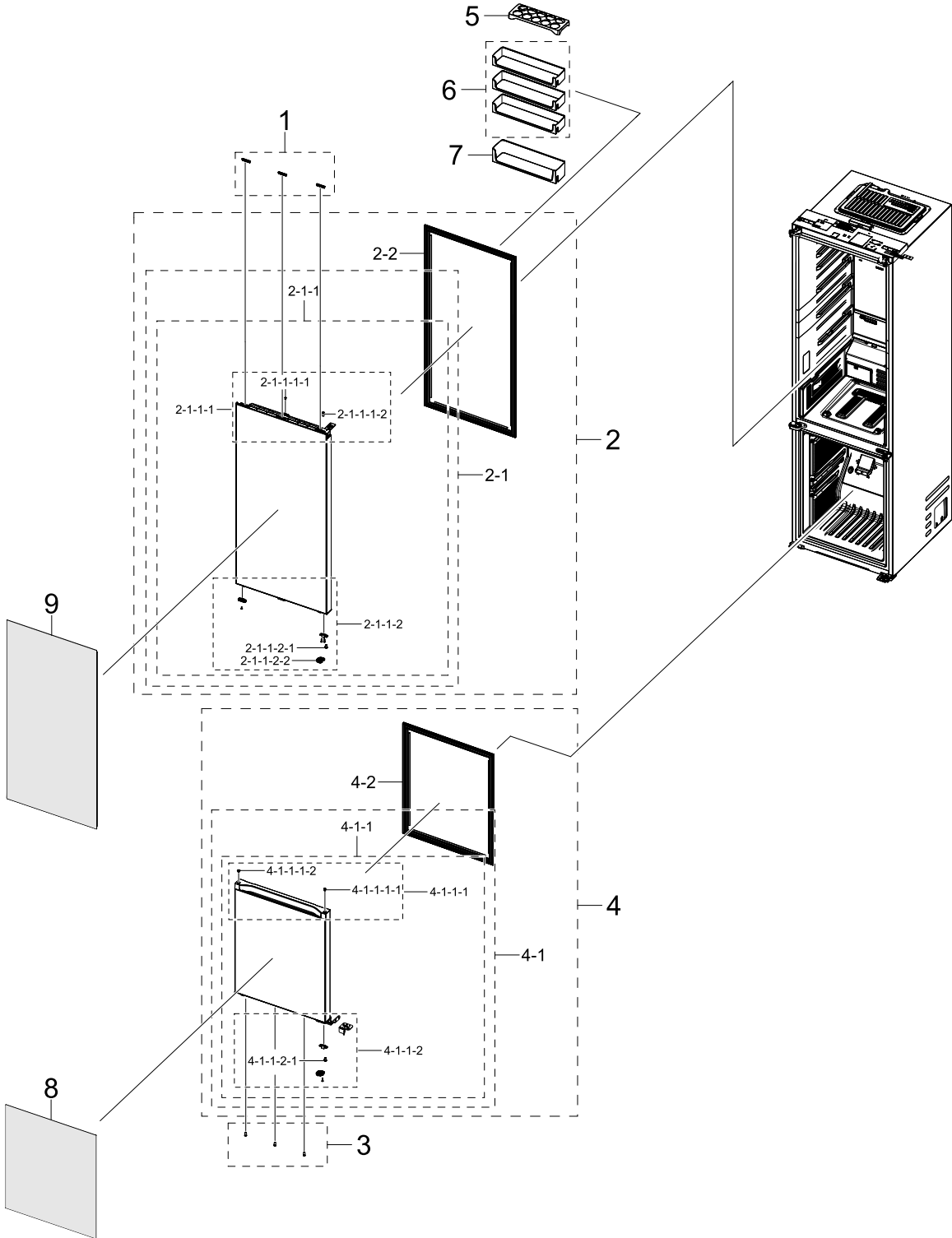
No.	Lvl.	Loc.	Material Code	Description & Specification	SNA	Qty.
1	2	M0076	DA97-15477F	ASSY COVER COMP; RB7300T	SA	1
2	2		DA97-22084A	ASSY COMP N CONDENSING-COND MODULE; RB730	SNA	1
2-1	3	A0562	DA39-20389A	ASSY WIRE HARNESS-EARTH; EARTH,ALL,FREE V	SA	1
2-2	3		DA97-21379A	ASSY CHASSIS; RB7300T,PFC B, C-FAN	SNA	1
2-2-1	4	A0526	DA97-21174A	ASSY CHASSIS COMP; RB7300T,GI-SGCC,T0.8,C	SA	1
2-2-1-1	5	A0527	DA61-06202A	CASTER-REAR; GRAND-CRU,PP,NATURAL	SA	2

No.	Lvl.	Loc.	Material Code	Description & Specification	SNA	Qty.
2-2-2	4	A0529	DA97-21175A	ASSY TRAY DRAIN WATER; RB7300T,Fan, PFC-B	SA	1
2-2-2-1	5	M0116	DA97-20025B	ASSY SUPPORT-CIRCUIT MOTOR; RS5000RC,C160	SA	1
2-2-2-2	5		DA97-21381A	ASSY TRAY DRAIN WATER-SUB; RB7300T	SA	1
2-2-2-3	5		DA97-21518A	ASSY PIPE IMMERSING; RB7300T,PIPE IMMERGI	SA	1
2-3	3		NN54T9602AVAK3	CMP,COMP,REFRIGERATOR,R-600A; CMP,COMP,REFRIGERATOR,R-600A		1
2-3-1	4	Z1032	DA63-09845A	COVER RELAY; RB7300T,MPPE,T2,V-0,BLACK,N3	SA	1
3	2	A0184	DA96-01475A	ASSY EVAP-REF; RB7300T TWIN,FIN TUBE,Heat	SA	1
3-1	3	A1018	DA32-10104W	SENSOR TEMP; DOUBLE_INSULATION, TPA,L200,	SA	1
3-2	3		DA59-00630A	EVAPORATOR-REF; Fin Tube,RB7300T TWIN,1,A	SNA	1
3-3	3	A0743	DA61-00453A	FIXER-SENSOR; A-TOP,EVAP,PP,NATURAL,BJ750	SA	1
3-4	3		DA61-06013B	FIXER WIRE; AW3-PJT,PP,T2,NATURAL,HB,BJ75	SA	1
4	2		DA96-01009G	ASSY EVAP-FRE EVAP MODULE; RB7300T TWIN,2	SA	1
4-1	3	M9010	DA61-03644A	PLATE-EVAP HEATER; AW-PJT,Al,T0.7	SA	1
4-2	3	G0205	DA61-04921B	FIXER-HEATER FRE; HERMES-PJT,PP,NATURAL,F	SA	1
4-3	3	A0744	DA61-07411A	FIXER-FUSE; NW2,PP,NATURAL,BJ750	SA	1
5	2	A0669	DA62-04309E	DRYER; C1220T-H,L118,SINGLE MOUTH,For Val	SA	1
6	2		DA62-04678B	VALVE STEP; DC12V,MODULE,2WAY,RIGHT/RIGHT	SA	1
7	2		DA62-05500A	PIPE CONNECT-SUCTION; RB7300T,Cu,OD6.35,T	SA	1
8	2	A0523	DA73-10190U	PIPE-CONNECT DISC,B; ALL,Cu,C1220T,OD6.35	SA	1
9	2		DA60-00280A	FITTING-LOKRING 33; SUM23,ID3/16,33, 11SM	SA	1
10	2		DA60-00281A	FITTING LOCK SLEEVE; SUM23,ID5.02,11SMnPb	SA	1
11	2		DA63-08943A	GROMMET; BRR9000M,NBR,CAPI GROMMET	SA	1

5. Door

Door

Exploded View



Parts List

No.	Lvl.	Loc.	Material Code	Description & Specification	SNA	Qty.
1	2		DA63-09686A	COVER CAP DOOR; ABS,T1.5,DARK GRAY,RM-076	SA	3
2	2		DA93-00951A	ASSY DOOR SUB-REF DOOR MODULE; RB7300T(B)	SNA	1
2-1	3	Z1100	DA91-05496A	ASSY DOOR FOAM-REF; RB7300T(B),AP(PANEL R	SA	1
2-1-1	4		DA97-22076B	ASSY PLATE DOOR-REF; RB7300T(B),RB38,VIP	SNA	1
2-1-1-1	5		DA97-22079A	ASSY CAP DOOR-REF UP; RB7300T(B),ABS,DARK	SNA	1
2-1-1-1-1	6		DA67-02795C	CAP-SHAFT HOLE; AW3,ABS,HG-0760GP,SNOW WH	SA	1
2-1-1-1-2	6		DA63-07545A	GROMMET HINGE-MIDDLE; FOOD SHOWCASE,PA66+	SA	1
2-1-1-2	5	A0048	DA97-22080A	ASSY CAP DOOR-REF LOW; RB7300T(B),ABS,DAR	SNA	1
2-1-1-2-1	6		DA63-09976A	GROMMET DOOR-REF; RB7300T,POM,BLACK,-,K30	SA	1
2-1-1-2-2	6		DA66-01517A	LEVER AUTO CLOSE; RB7300T(B),POM,K300,BLA	SA	1
2-2	3		DA97-21243A	ASSY GASKET-REF; RB7300T,DARK GRAY,Sub Co	SA	1
3	2		DA67-04961A	CAP SCREW; RQ9500(B),ABS,RM-0760,DARK GRA	SA	3
4	2		DA93-00950A	ASSY DOOR SUB-FRE DOOR MODULE; RB7300T(B)	SNA	1
4-1	3	M0063	DA91-05497A	ASSY DOOR FOAM-FRE; RB7300T(B),AP(PANEL R	SA	1
4-1-1	4		DA97-22078B	ASSY PLATE DOOR-FRE; RB7300T(B),AP(PANEL	SNA	1
4-1-1-1	5		DA97-22081A	ASSY CAP DOOR-FRE UP; RB7300T(B),ABS,DARK	SNA	1
4-1-1-1-1	6	A0827	DA63-08059A	GROMMET HINGE; BK65,60,PA66+GF15%,BLACK,-	SA	1
4-1-1-1-2	6		DA67-04054H	CAP HINGE; RB7300T,ABS,T1.6,HB,HG-0760GP,	SA	1
4-1-1-2	5	A0047	DA97-22082A	ASSY CAP DOOR-FRE LOW; RB7300T(B),ABS,BLA	SNA	1
4-1-1-2-1	6		DA63-09976A	GROMMET DOOR-REF; RB7300T,POM,BLACK,-,K30	SA	1
4-2	3		DA97-21244A	ASSY GASKET-FRE; RB7300T,DARK GRAY,Sub Co	SA	1
5	2	A0656	DA63-06221A	TRAY EGG; RF9000A,GPPS,T2.5,TP BLUE	SA	1
6	2	M0447	DA63-09799B	GUARD-REF UP DOOR BIN MODULE; RB7300T,GPP	SA	3

Exploded Views and Parts List

No.	Lvl.	Loc.	Material Code	Description & Specification	SNA	Qty.
7	2	A0151	DA63-09802B	GUARD-BOTTLE DOOR BIN MODULE; RB7300T,GPP	SA	1
8	2		DA99-04505C	ASSY ACCESSORY-CUSTOM PANEL; RB7300T,B-PJ	SA	1
9	2		DA99-04505A	ASSY ACCESSORY-CUSTOM PANEL; RB7300T,B-PJ	SA	1