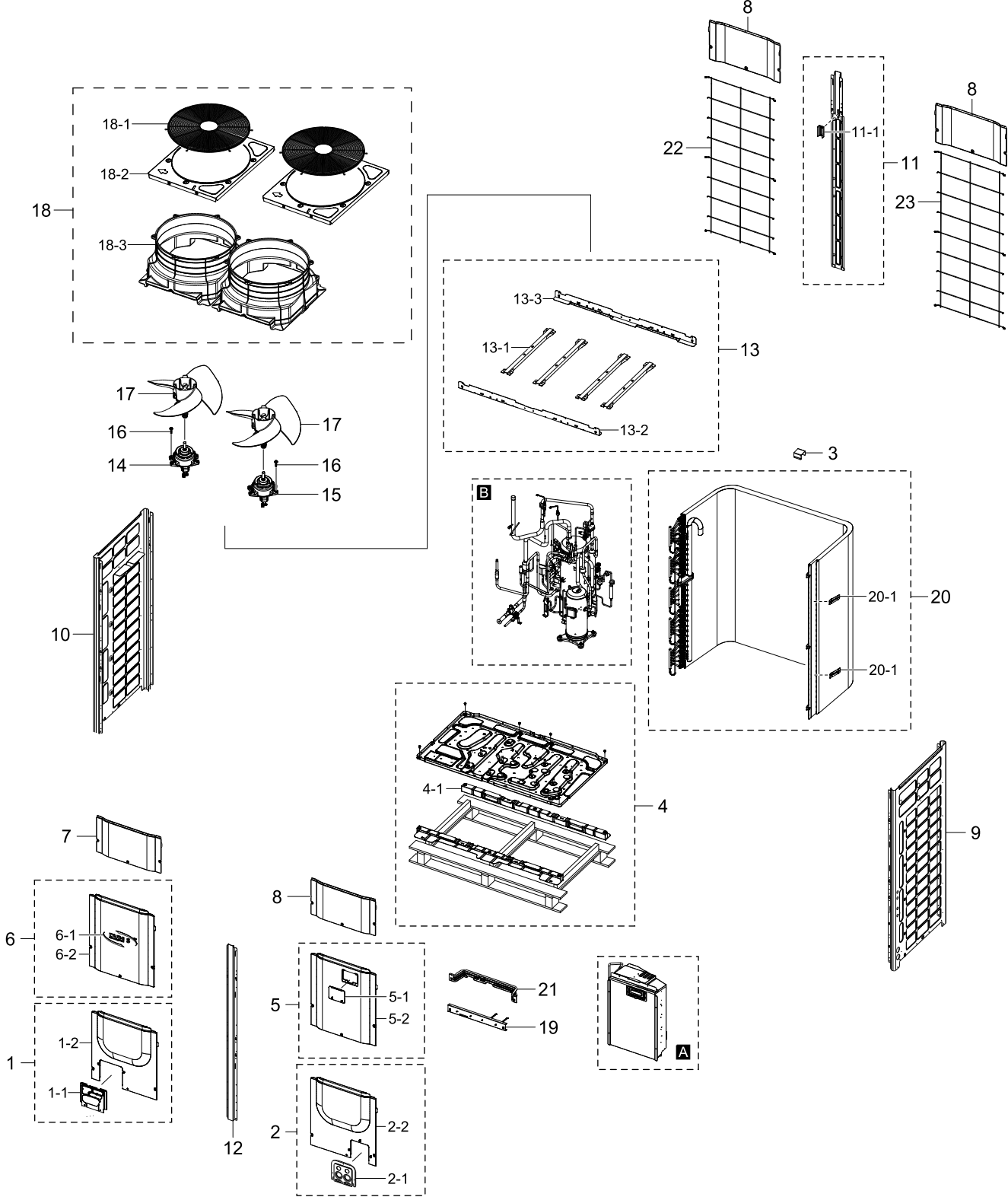


1. AM160MXVAFC/AZ

AM160MXVAFC/AZ

Exploded View



Parts List

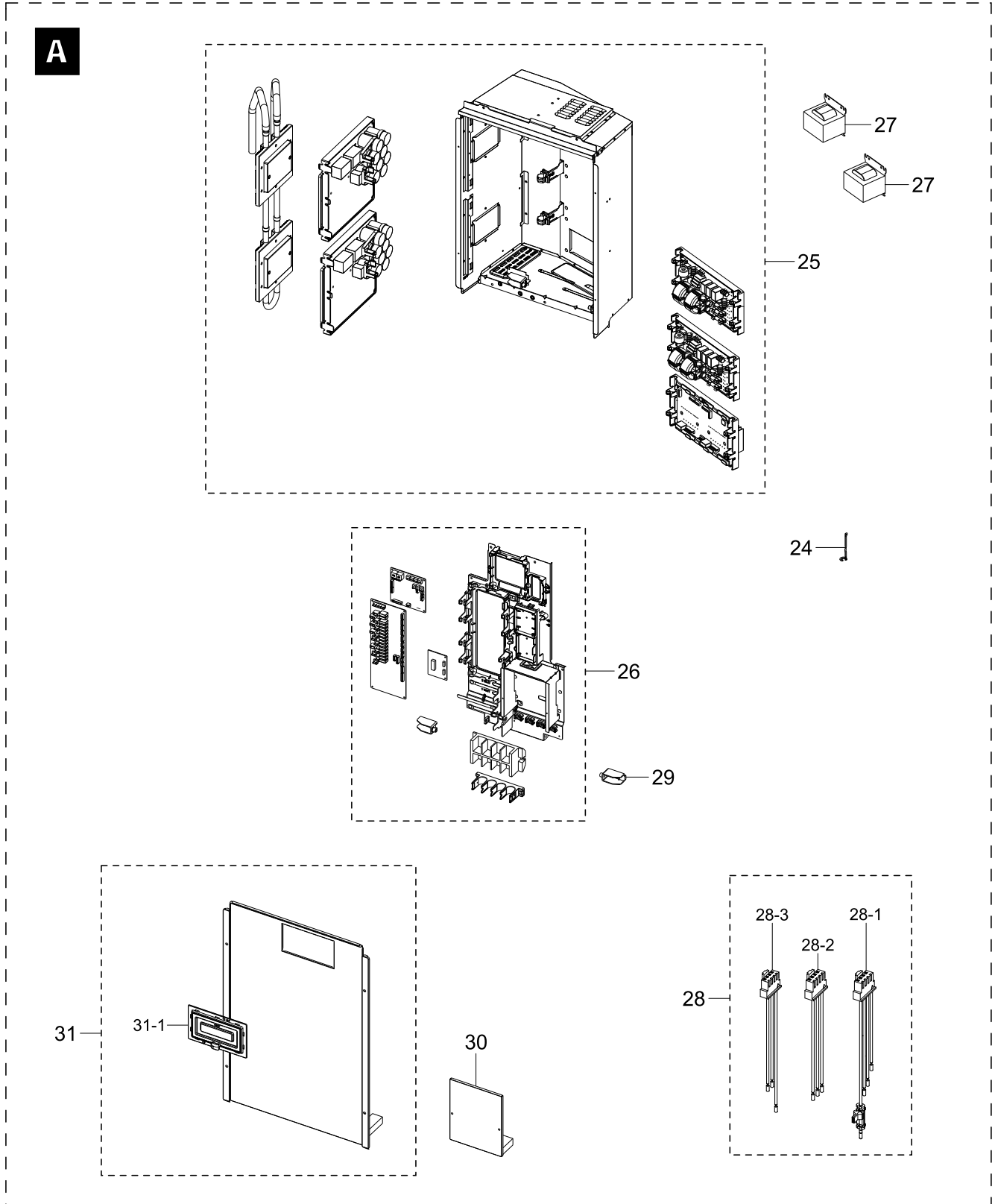
No.	Lvl.	Loc.	Material Code	Description & Specification	SNA	Qty.
1	2	A3110	DB90-05194D	ASSY CABI FRONT-LOW LF; RD200HHXH2,DVM PL	SA	1
1-1	3		DB61-04537B	PLATE-COVER INSTALLATION; EGI-SECC,T1,EAR	SA	1
1-2	3		DB64-02373B	CABINET FRONT-LOW LF; DVM PLUS 4,EGI-SECC	SNA	1
2	2	A0145	DB90-08803A	ASSY CABI FRONT; DVM S,ASSY,2	SA	1
2-1	3		DB63-01441B	COVER-PLATE; RVXVHT100H1,EGI-SECC,T0.8,EA	SA	1
2-2	3	A3109	DB90-05193F	ASSY CABI FRONT-LOW RH; ADX200VGHHA1,DVM	SC	1
3	2		DB61-00533A	HOLDER-CLAMP COND; RVXMHF050GA,GI-SGCC,T0	SNA	1
4	2	A0092	DB90-07053B	ASSY BASE OUT; DVM S EU,20HP	SA	1
4-1	3		DB61-04081B	LEG-BASE 20HP; DVM PLUS 4,EGI-SECC,DAC-GY	SNA	2
5	2	A3111	DB90-05195B	ASSY CABI FRONT-MID RH 20HP; RD200HHXH1,D	SA	1
5-1	3		DB63-02406B	COVER-WINDOW DISPLAY; DVM PLUS 4,EGI-SECC	SA	1
5-2	3		DB64-02372B	CABINET FRONT-MID RH; DVM PLUS 4,EGI-SECC	SNA	1
6	2	A3112	DB90-05197E	ASSY CABI FRONT-MID LF 20HP; ADX200VGHHB1	SA	1
6-1	3		DB98-34406B	ASSY-LABEL LOGO DVM S; DVM S	SA	1
6-2	3		DB64-02371B	CABINET FRONT-MID LF; DVM PLUS 4,EGI-SECC	SNA	1
7	2		DB90-09162A	ASSY CABI FRONT-UP; AM260JXVAGH/SC	SA	1
8	2	A3113	DB90-05199E	ASSY CABINET-UPPER LF 20HP; RD200HHXH1,DV	SA	3
9	2	A0206	DB90-05200C	ASSY CABI SIDE-RH; RD200HHXH2,DVM PLUS 4	SA	1
10	2	A0204	DB90-05201C	ASSY CABI SIDE-LF; RD200HHXH2,DVM PLUS 4	SA	1
11	2	A3114	DB90-05218B	ASSY PLATE-BEAM; RD200HHXH1,DVM PLUS 4	SA	1
11-1	3		DB61-04272A	BRACKET-BACK BEAM 20HP; RD200HHXH1,EGI-SE	SA	1
12	2	A3115	DB90-05219C	ASSY CABI FRONT-BEAM; RD200HHXH1,DVM PLUS	SA	1
13	2	A2803	DB90-08893A	ASSY BRACKET MOTOR; DVM S,20HP	SNA	1
13-1	3	B0516	DB61-02255A	BRACKET MOTOR; DVM PLUS 2,SGHC_HGI,2.3,10	SA	4
13-2	3	A2444	DB90-05224C	ASSY-FRONT BEAM UP 20HP; 20HP,DVM INVERTE	SA	1

No.	Lvl.	Loc.	Material Code	Description & Specification	SNA	Qty.
13-3	3	A3102	DB90-05223A	ASSY-BACK BEAM UP 20HP; DVM PLUS4	SA	1
14	2		DB31-00675E	MOTOR BLDC FAN; AC00675EMT,1200RPM,310V,6	SA	1
15	2		DB31-00675F	MOTOR BLDC FAN; AC00675FMT,1200RPM,310V,6	SA	1
16	2	C0212	6011-001183	BOLT-FLANGE; M6,L30,ZPC(WHITE),SWRCH18A	SA	8
17	2		DB94-03285B	ASSY FAN PROPELLER; DVM PLUS 4,575 PI, BL	SA	2
18	2	A2633	DB90-05487D	ASSY COVER TOP-20HP; RD200HHXH1	SA	2
18-1	3		DB63-02615B	GUARD FAN-SMALL PD; RD120HHXH1,MSWR,T1,DA	SA	2
18-2	3		DB63-02617C	COVER TOP-PD 20HP; RD200HHXH1,EGI-SECC,T1	SC	2
18-3	3	B0115	DB62-07398A	BELLOW-MOUTH 20HP; DVM PLUS3 UP,PP,-,-,-,	SA	2
19	2		DB90-05867B	ASSY-FRONT BEAM POWER BOX; RD200HHXH2,DVM	SA	1
20	2	A0590	DB96-17318A	ASSY COND-MODULE; ADX160VGHXB1,DVM INV 2	SA	1
20-1	3		DB61-04553A	BRACKET-COND 7PI; RD200HRXH1,GI-SGCC,T1	SA	2
21	2	A3116	DB90-05225G	ASSY-FRONT BEAM CONTROL BOX 20HP; DVM PLU	SA	1
22	2		DB90-09851A	ASSY GUARD-COND; AM140FXVAGH/EU,LF	SA	1
23	2		DB90-09852A	ASSY GUARD-COND; AM140FXVAGH/EU,RH	SA	1

2. ASSY CONTROL OUT PARTS

ASSY CONTROL OUT PARTS

Exploded View



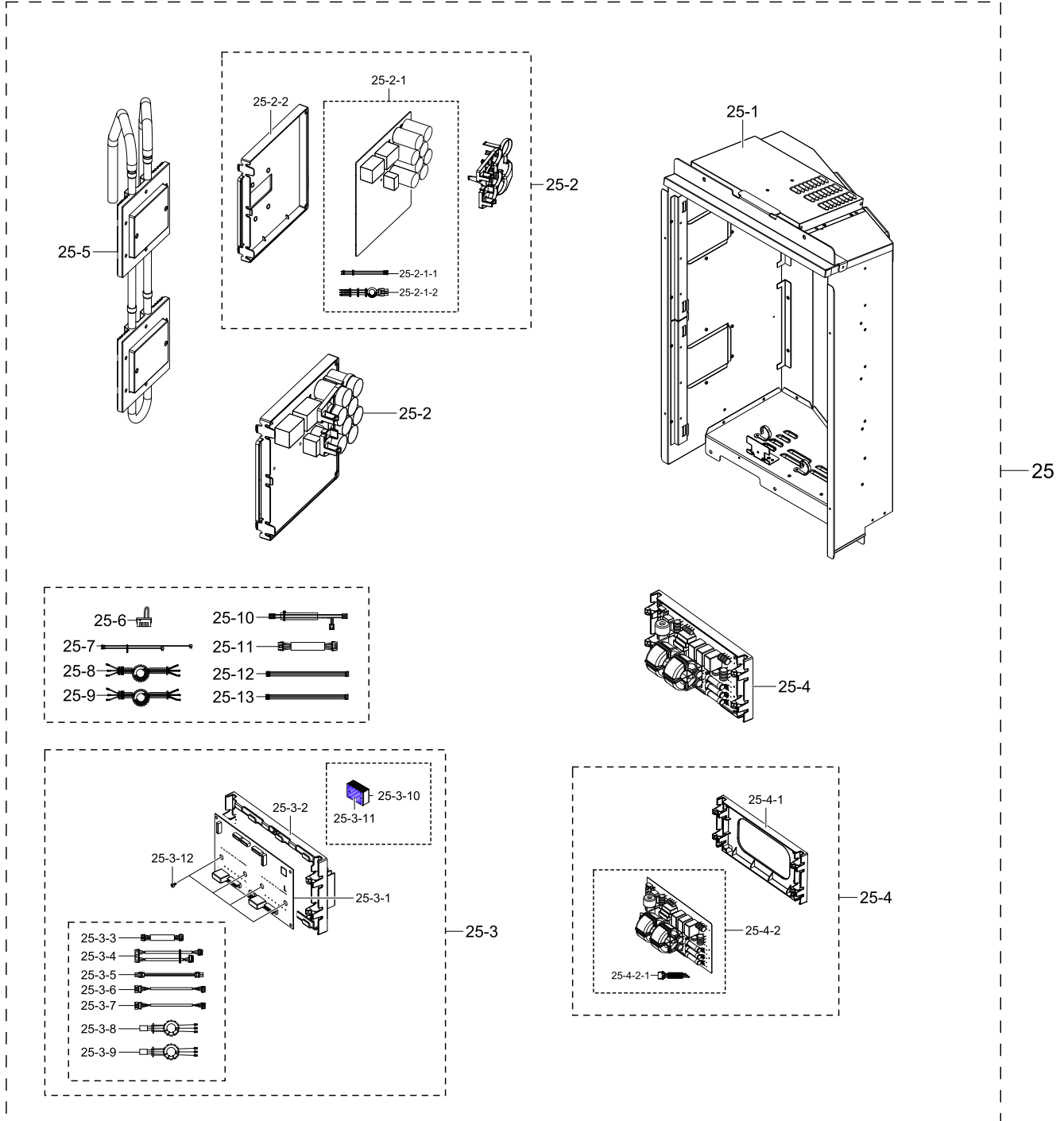
Parts List

No.	Lvl.	Loc.	Material Code	Description & Specification	SNA	Qty.
24	2	S0242	DB81-00635A	SPRING ETC-SENSOR; DVM-SYSTEM,STS304,ID2.	SA	7
25	2	A0700	DB93-13284K	ASSY CONTROL OUT-MODULE; 4TVH0144B300NB,2	SNA	1
26	2		DB93-16134B	ASSY CONTROL OUT-MODULE; AM160MXVAFCAAZ,a	SNA	1
27	2	C0607	DB27-00094A	COIL HARMONIC; 2mH,85.8x47.5x73mm,35A,SCR	SA	2
28	2	A3061	DB95-05010A	ASSY THERMISTOR-TOTAL; ASSY,L1050,200kohm	SA	1
28-1	3		DB95-04716D	SENSOR TEMP; -,,-,-,-,-,SMH200-H08H3,-,L	SA	1
28-2	3		DB95-04717D	ASSY-THERMISTOR WIRE; SMH200-H06H3 / YEL,	SA	1
28-3	3		DB95-04718D	SENSOR TEMP; -,,-,-,-,-,SMH200-H06H3,-,L	SA	1
29	2		DB61-05409A	HOLDER-CONTROL HINGE; DVM PLUS S,ABS,T2.5	SA	1
30	2		DB90-07288A	ASSY COVER-POWER TERMINAL; DVM PLUS S	SA	1
31	2	A2788	DB90-06765B	ASSY COVER CONTROL-BOX; DVM S	SA	1
31-1	3	RB220	DB90-03829B	ASSY-WINDOW DISPLAY; RD***HHXH2,DVM PLUS	SA	1

3. ASSY CONTROL OUT-BOX

ASSY CONTROL OUT-BOX

Exploded View



Parts List

No.	Lvl.	Loc.	Material Code	Description & Specification	SNA	Qty.
25	2	A0700	DB93-13284K	ASSY CONTROL OUT-MODULE; 4TVH0144B300NB,2	SNA	1
25-1	3	A3143	DB90-07099A	ASSY PLATE-CONTROL; DVM PLUS S	SA	1
25-2	3		DB92-03527C	ASSY KIT; OUTDOOR,13K_DVM_12K-DVMINV,DVM	SNA	2
25-2-1	4		DB92-03526C	ASSY PCB INVERTER; INVERTER,13K_DVM_12K-D	SA	2
25-2-1-1	5	A2610	DB93-12380A	ASSY CONNECTOR WIRE-REACTOR; 2,3321,12,WH	SA	2
25-2-1-2	5	A0664	DB93-11492B	ASSY CONNECTOR WIRE-POWER; 3,1015,12,BRN,	SA	2
25-2-2	4		DB61-04920A	CASE-INVERTER PCB; DVM INVERTER,ABS,T2.5,	SA	2
25-3	3		DB93-11808E	ASSY CONTROL-FAN; OUTDOOR,DVM S,-,Y	SC	1
25-3-1	4	A2748	DB92-02807A	ASSY PCB MAIN; FAN,DVM S USA,230*130,N,N,	SA	1
25-3-2	4		DB61-04919A	CASE-BLDC FAN PCB; DVM INVERTER,ABS,T2.5,	SA	1
25-3-3	4	A2934	DB93-11520C	ASSY CONNECTOR WIRE-COMM; 4,2095,26,RED,S	SA	1
25-3-4	4		DB93-11485A	ASSY CONNECTOR WIRE-BLDC COMM; 8,2095,26,	SA	1
25-3-5	4	A0664	DB93-11491A	ASSY CONNECTOR WIRE-POWER; 2,1015,18,YEL,	SA	1
25-3-6	4	A3118	DB93-11906A	ASSY CONNECTOR WIRE-BLDC HALL; 6,2095,24,	SA	1
25-3-7	4	A3118	DB93-11906B	ASSY CONNECTOR WIRE-BLDC HALL; 6,2095,24,	SA	1
25-3-8	4	A0657	DB93-11500E	ASSY CONNECTOR WIRE-MOTOR; 3,1015,18,RED,	SA	1
25-3-9	4	A0657	DB93-11500F	ASSY CONNECTOR WIRE-MOTOR; 3,1015,18,RED,	SA	1
25-3-10	4	H0034	DB62-10633A	HEAT SINK; Al,40,102*72,SILVER	SA	2
25-3-11	4		0205-000178	GREASE-SILICON; YG6111,WHITE, for assembl	SA	0.001
25-3-12	4	A2876	DB91-00307A	ASSY-SCREW MACHINE; WW-INV,M4*16,WSP,PH,+	SA	12
25-4	3		DB93-12089D	ASSY KIT; SUB,DVM S,EMI,Y	SA	2
25-4-1	4		DB61-04921A	CASE-EMI PCB; DVM INVERTER,ABS,T2.5,BLACK	SA	2
25-4-2	4	A0694	DB92-02806A	ASSY PCB SUB; EMI,DVM S USA,230*130,N,N,N	SA	2
25-4-2-1	5	A0664	DB93-13976A	ASSY CONNECTOR WIRE-POWER; 3,1015,12,WHT,	SA	4
25-5	3		DB96-17068B	ASSY TUBE-MAIN COOLING; AM200FXVGGHH1,DVMS	SA	1
25-6	3		DB93-12405A	ASSY CONNECTOR WIRE-INVERTER SHORT; 1,156	SA	1

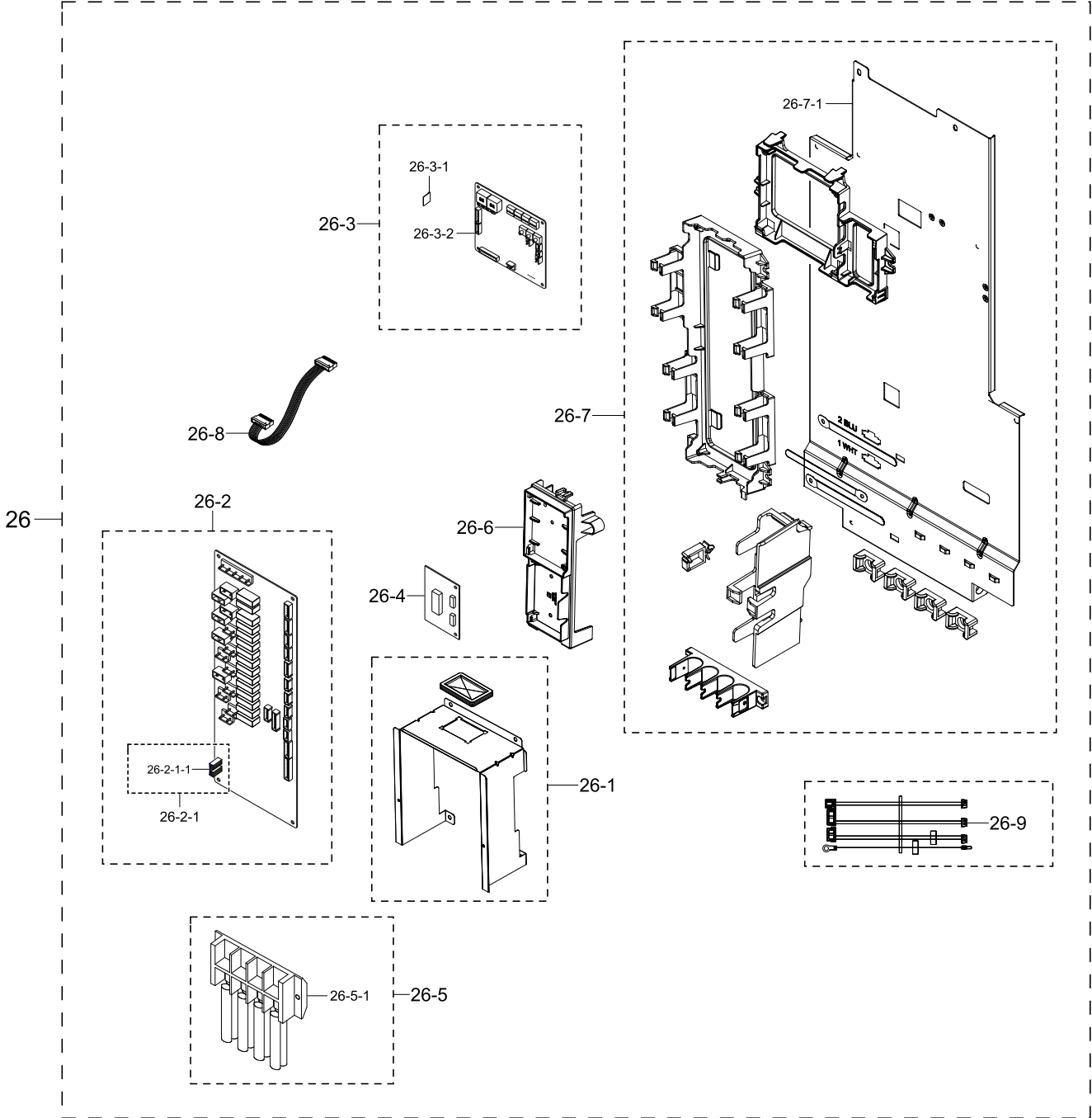
Exploded Views and Parts List

No.	Lvl.	Loc.	Material Code	Description & Specification	SNA	Qty.
25-7	3		DB93-13226A	ASSY CONNECTOR WIRE-TOTAL POWER; 2,1015,1	SA	1
25-8	3		DB93-13282A	ASSY CONNECTOR WIRE-INVERTER COMP; 3,3321	SA	1
25-9	3		DB93-13282B	ASSY CONNECTOR WIRE-INVERTER COMP; 3,3321	SA	1
25-10	3		DB93-13412A	ASSY CONNECTOR WIRE-HUB HIGH PRESSURE; 4,	SA	1
25-11	3	A2934	DB93-11520B	ASSY CONNECTOR WIRE-COMM; 4,1007,26,RED,S	SA	1
25-12	3		DB93-11522A	ASSY CONNECTOR WIRE-INV 220; 3,1015,18,BR	SA	1
25-13	3		DB93-11522B	ASSY CONNECTOR WIRE-INV 220; 3,1015,18,BR	SA	1

4. ASSY CONTROL PARTS

ASSY CONTROL PARTS

Exploded View



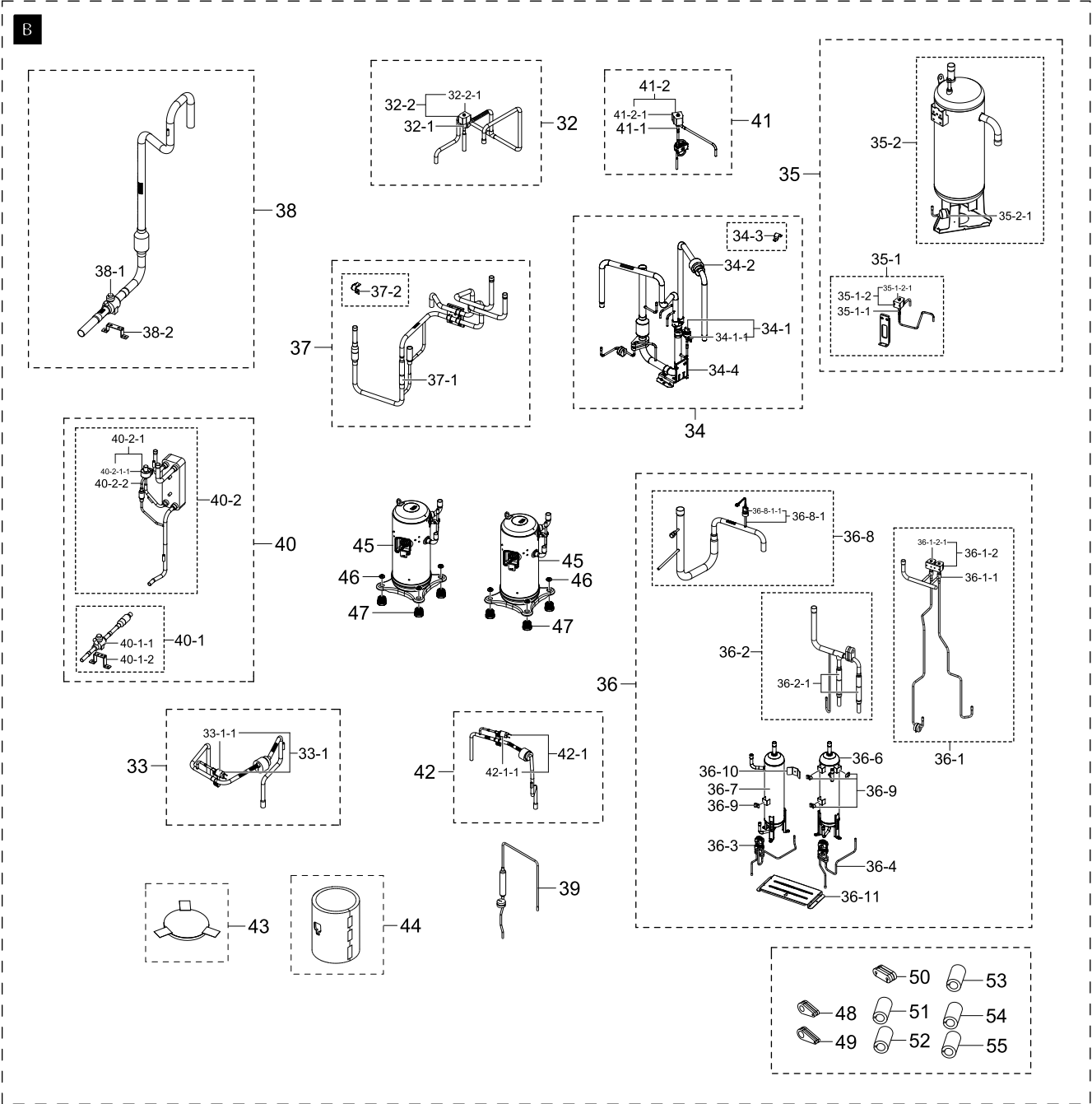
Parts List

No.	Lvl.	Loc.	Material Code	Description & Specification	SNA	Qty.
26	2		DB93-16134B	ASSY CONTROL OUT-MODULE; AM160MXVAFCAAZ,a	SNA	1
26-1	3		DB90-07287B	ASSY PLATE-CONTROL; AM9000H	SA	1
26-2	3	A2748	DB92-04466B	ASSY PCB MAIN; HUB,DVM S,295*112,220V~240	SA	1
26-2-1	4		DB94-07299A	ASSY HEAT SINK 1; HUB,DVM S,295*112,Y,220	SNA	1
26-2-1-1	5		0205-000178	GREASE-SILICON; YG6111,WHITE, for assembl	SA	0.5
26-3	3		DB92-04260A	ASSY KIT; OUTDOOR,DVM S COOLING ONLY,MAIN	SNA	1
26-3-1	4		DB93-12483A	ASSY PCB SUB-EEPROM; SUB,DVMPLUS4 UP,20*2	SA	1
26-3-2	4	A2748	DB92-04259A	ASSY PCB MAIN; Main,DVM S COOLING ONLY,11	SA	1
26-4	3	A2574	DB93-13404A	ASSY PCB SUB-COMM; SUB,DVM S,80*60,-,-,-,	SA	1
26-5	3	A3088	DB93-14002A	ASSY CONNECTOR WIRE-TERMINAL BLOCK; 6,101	SA	1
26-5-1	4	T0180	DB65-00232D	TERMINAL BLOCK-3PHASE; DVMPLUS3 USA,C_Typ	SA	1
26-6	3		DB61-05404A	CASE-TERMINAL 6P; DVM S,ABS,T2.5,BLACK,VE	SA	1
26-7	3		DB90-07100A	ASSY PLATE-BEAM; AM220HXVHHH1,-	SA	1
26-7-1	4		DB61-05401A	PLATE-CONTROL BOX FRONT; GI-SGCC,T1,DVM P	SA	1
26-8	3		DB93-11521B	ASSY CONNECTOR WIRE-DC SIGNAL; 9,2095,26,	SA	1
26-9	3		DB93-13184A	ASSY CONNECTOR WIRE-OUTDOOR COMM; 7,1569,	SA	1

5. ASSY TUBE OUT PARTS

ASSY TUBE OUT PARTS

Exploded View



Parts List

No.	Lvl.	Loc.	Material Code	Description & Specification	SNA	Qty.
32	2	A3131	DB96-16908A	ASSY TUBE-EVI BYPASS 20HP; DVM INVERTER 2	SA	1
32-1	3	V0038	DB62-07588A	VALVE SOLENOID; BRASS,5.8mm,7.94mm	SA	1
32-2	3	A2106	DB95-02052Z	ASSY-SOLENOID COIL; DVM+S	SA	1
32-2-1	4	V0039	DB62-07589B	VALVE COIL-SOLENOID; AC220-240V,1500,Sol,	SA	1
33	2	A2757	DB96-17288B	ASSY TUBE DISCHARGE; AM140JXVAFH/AZ,anti-	SA	1
33-1	3		DB95-04864C	ASSY SWITCH PRESSURE; -, -, -, -, -, -, -, -	SC	1
33-1-1	4	RJ101	DB34-00071B	SWITCH PRESSURE; AC 250V/DC 12V,AC 16A/DC	SA	1
34	2	A0045	DB96-17287C	ASSY TUBE SUCTION; AM140JXVAFH/AZ,anti-co	SA	1
34-1	3		DB95-04866F	ASSY-SENSOR LOW PRESSURE COIL; DVM S,ADX2	SA	1
34-1-1	4		DB32-00195A	SENSOR PRESSURE; -, -, -, Refrigerant,5V, -, -	SA	1
34-2	3		DB67-01268A	WEIGHT RUBBER; DVM PLUS S,NR,BLACK,OD 22.	SA	1
34-3	3		DB61-05357B	BRACKET TUBE; GI-SGCC,T0.8,28.58	SA	2
34-4	3		DB90-07311B	ASSY BRACKET; anti-corrosion	SA	1
35	2		DB96-21251B	ASSY TUBE TANK-ACCUMULATOR; AM080JXVAFH/A	SNA	1
35-1	3		DB96-16918B	ASSY TUBE RETURN-ACCUM OIL; AM140JXVAFH/A	SA	1
35-1-1	4	V0038	DB62-04149A	VALVE SOLENOID; A/C,BRASS,blue,1.9	SC	1
35-1-2	4		DB95-04865H	ASSY-OIL RETURN TUBE COIL; DVM S	SA	1
35-1-2-1	5	V0039	DB62-04150A	VALVE COIL SOLENOID; AC220-240V,2400,Sol,	SA	1
35-2	3	A0316	DB96-16928A	ASSY TUBE TANK-ACCUMULATOR; DVM S,20HP	SA	1
35-2-1	4	T0128	DB62-11876A	TUBE-FILTER; DVM S,C1220T-H,T1.4,OD38.1,N	SA	1
36	2		DB96-23627A	ASSY TUBE TANK-OIL SEPARATOR; DVM S CO,14	SA	1
36-1	3		DB96-17291A	ASSY TUBE-VAPOR INJECTION 16HP; ADX160VGH	SA	1
36-1-1	4	V0038	DB62-07588A	VALVE SOLENOID; BRASS,5.8mm,7.94mm	SA	2
36-1-2	4	A2106	DB95-04555F	ASSY-SOLENOID COIL; DVM+S	SC	1
36-1-2-1	5	V0039	DB62-07589A	VALVE COIL-SOLENOID; AC220-240V,2000,Sol,	SA	2
36-2	3		DB96-17292A	ASSY TUBE CHECK-OIL SEPARATOR; ADX160VGH	SA	1
36-2-1	4	V0020	DB62-06188B	VALVE CHECK; .,5/8",1-1	SA	2
36-3	3		DB96-17293A	ASSY TUBE-OIL RETURN A 16HP; ADX160VGHXB	SA	1
36-4	3		DB96-17294A	ASSY TUBE CAPILLARY-OIL SEPARATOR; ADX160	SA	1

No.	Lvl.	Loc.	Material Code	Description & Specification	SNA	Qty.
36-6	3		DB96-17640A	ASSY-OIL SEPARATOR D; DVM S	SA	1
36-7	3		DB96-17639A	ASSY-OIL SEPARATOR C; DVM S	SA	1
36-8	3		DB96-23565A	ASSY TUBE COND-CONNECTOR; AM140MXVAF/AZ	SA	1
36-8-1	4	A3145	DB95-01549T	ASSY-SENSOR HIGH PRESSURE COIL; DVM+S	SA	1
36-8-1-1	5	S0030	DB32-00194A	SENSOR PRESSURE; -, -, -, Refrigerant, 5V, -, -	SA	1
36-9	3		DB61-05184B	BRACKET TUBE; GI-SGCC, T0.6	SA	4
36-10	3		DB61-05354A	BRACKET-OIL SEPA FIX; ADX200VGHHXB1, SGCC-	SA	1
36-11	3		DB61-05355B	BRACKET; GI-SGCC, T2	SA	1
37	2		DB96-23569A	ASSY TUBE EEV; AM140MXVAF/AZ, RELIEF	SA	1
37-1	3	V0020	DB62-06190B	VALVE CHECK; ., 1/2", 1-1	SA	1
37-2	3		DB61-05384B	BRACKET TUBE; GI-SGCC, T0.8	SA	3
38	2		DB96-23563A	ASSY TUBE SERVICE-VALVE; AM140MXVAF/AZ	SA	1
38-1	3	A2865	DB62-07613A	VALVE SERVICE-BALL; -, BRASS, -, -, -, -, -, -	SA	1
38-2	3		DB61-04063A	BRACKET-BALL VALVE 9 8; -, EGI-SECC, T2, -, -	SA	1
39	2		DB96-17649A	ASSY TUBE-VI 2COMP 20HP; ADX200VGHHA1, DVM	SA	1
40	2		DB96-17296B	ASSY TUBE SUBCOOLER-LIQUID; DVM S, LIQUID	SA	1
40-1	3	A3136	DB96-17298A	ASSY TUBE-LIQUID BALL VALVE 16HP; ADX160V	SNA	1
40-1-1	4	A2865	DB62-07618A	VALVE SERVICE-BALL; BRASS, PIPE, R410A, 12.8	SA	1
40-1-2	4		DB61-04074A	BRACKET-BALL VALVE 5 8; DVM PLUS3 UP, EGI-	SA	1
40-2	3		DB96-17297B	ASSY TUBE SUBCOOLER; DVM S, 16HP	SA	1
40-2-1	4	A0016	DB96-13204K	ASSY-VALVE EXPAN COIL; DVM+S	SC	1
40-2-1-1	5		DB62-11205B	VALVE COIL EXPAN; DC12V, COIL, 2000, 15.45, M	SA	1
40-2-2	4	V0001	DB62-04065A	VALVE EXPAN; STS304, 1.65mm, 500	SC	1
41	2		DB96-17081A	ASSY TUBE-HOT GAS; DVM INVERTER 2, 12HP	SA	1
41-1	3	V0038	DB62-04149A	VALVE SOLENOID; A/C, BRASS, blue, 1.9	SC	1
41-2	3		DB95-04865G	ASSY-OIL RETURN TUBE COIL; DVM INVERTER	SA	1
41-2-1	4	V0039	DB62-04150A	VALVE COIL SOLENOID; AC220-240V, 2400, Sol,	SA	1
42	2	A2757	DB96-17289B	ASSY TUBE DISCHARGE; AM140JXVAFH/AZ, anti-	SA	1
42-1	3		DB95-04864B	ASSY SWITCH PRESSURE; -, -, -, -, -, -, -, -	SC	1
42-1-1	4	RJ101	DB34-00071B	SWITCH PRESSURE; AC 250V/DC 12V, AC 16A/DC	SA	1
43	2		DB63-03738A	CLOTH COMP-TOP OUT; EVAR/FELT, T1.5+T15	SA	2
44	2		DB63-03737A	CLOTH COMP-SIDE; EVAR/FELT, T1.5+T15	SA	2

Exploded Views and Parts List

No.	Lvl.	Loc.	Material Code	Description & Specification	SNA	Qty.
45	2		DS-GB052FBVASG	SCP,COMP,SCP,,R410A; SCP,COMP,SCP,,R410A		2
46	2	S0018	DB60-30028A	NUT-FLANGE; HWH,M8,ZPC(WHT),SWRCH18A,P1.2	SA	10
47	2		DB63-03269A	GROMMET-COMP INVERTER; NR	SA	8
48	2		DB61-05571A	SUPPORT-RUBBER; AM200MXVAFCA,CHLOROPRENE	SNA	2
49	2		DB61-05574A	SUPPORT-RUBBER; ADX200VGHHA1,CHLOROPRENE	SNA	1
50	2		DB73-00533A	RUBBER-SUPPORT 7 7 42; DVM PLUS4,CHLOROPR	SNA	1
51	2		DB62-03808A	INSULATION-HOLDER SENSOR; -,PP FOAM+PE FO	SNA	1
52	2		DB62-03808C	INSULATION-HOLDER SENSOR; RVXFHT100GA,PP	SNA	4
53	2		DB62-03808E	INSULATION-HOLDER SENSOR; DVM-PLUS3,PP FO	SNA	1
54	2		DB62-04154B	INSULATION-HOLDER WIRE; -,PP FOAM+PE FOAM	SNA	1
55	2		DB62-04154C	INSULATION-HOLDER WIRE; -,PE FOAM,8,ID 20	SNA	1