

1. WW90T684DLE/S3

EXPLODED VIEWS AND PARTS LIST



[MATERIAL CODE STANDARDS]

Material codes and names and their respective naming rules are managed in accordance with the prescribed standards. Please refer to these standards when requesting a material.

1. Material Code Type

● : Number

■ : Letter (Alphabet)

| | | |
|---------------|---|---|
| Type 1 |  ex) 0204-000418 FREON | Enterprise-wide parts Type 1 materials can be used for all Samsung Electronics products. (Most electrical parts belong to this type.) |
| Type 2 |  ex) DC96-01390A ASSY-CONTROL | Division-wide parts (DC**-Washing machine) Type 2 materials can be used for specific products. (Most instruments and tools belong to this type.) |

2. Ass'y Materials

All ass'y material codes start with DC9*.

An ass'y material is created by combining more than two materials. If a requested material cannot be provided, you can request an ass'y material that contains that material.

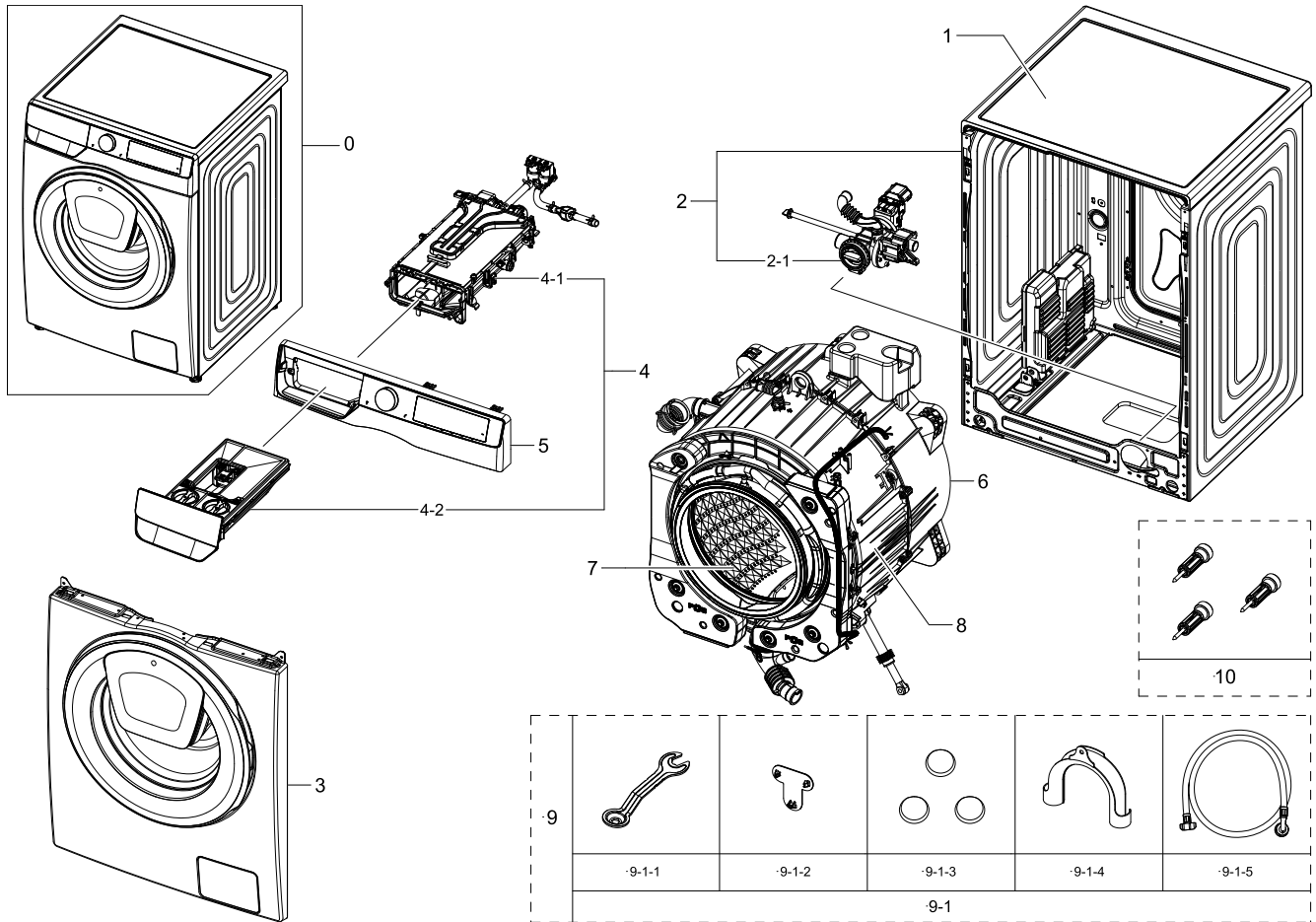
3. For information about purchasing parts and tool, please visit <http://www.samsung.com/support>

4. The part that is assigned as SA (service available) will be able to purchase.

The part that is assigned as SNA (service not available) will not supply, in result, not available in the market.

2. Main

Exploded View



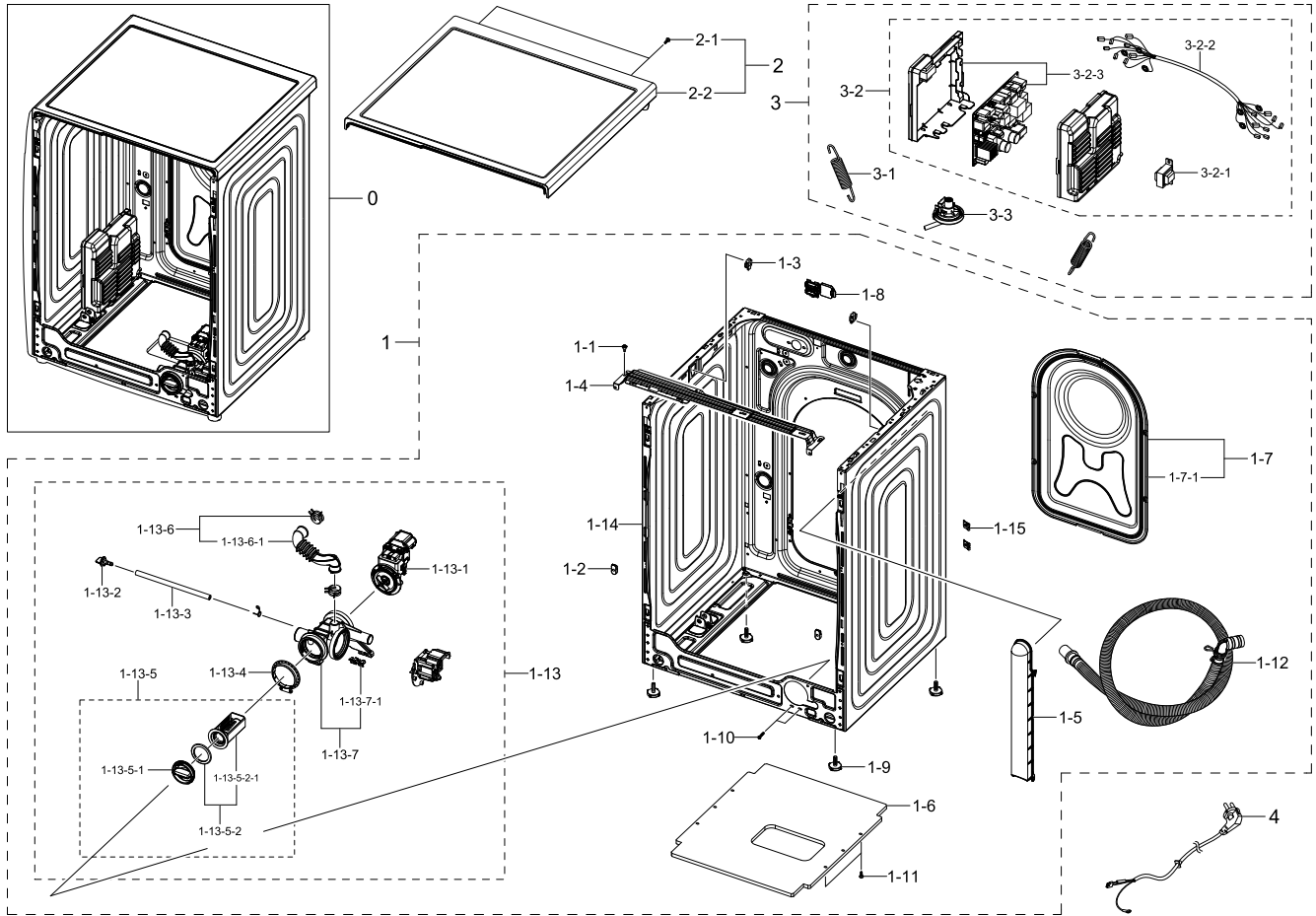
Parts List

| No. | Lvl. | Loc. | Material Code | Description & Specification | SNA | Qty. |
|-----|------|-------|---------------|--|-----|------|
| 1 | 1 | | DC90-28643A | ASSY COVER TOP PARTS; WW6000T,WW90T684DLH | SNA | 1 |
| 2 | 1 | | DC90-28642C | ASSY FRAME PARTS; WW5000T,WW90T534DAW/S3 | SNA | 1 |
| 2-1 | 2 | W0194 | DC97-17336H | ASSY PUMP DRAIN; WW6000T,EUR1,Bubble,220- | SA | 1 |
| 3 | 1 | | DC90-28645A | ASSY FRONT PARTS; WW6000T,WW90T684DLH/S1 | SNA | 1 |
| 4 | 1 | | DC90-28644A | ASSY DRAWER PARTS; WW6000T,WW90T684DLH/S1 | SNA | 1 |
| 4-1 | 2 | W0163 | DC97-22238F | ASSY HOUSING DRAWER-MODULE; U-PJT (F500), | SA | 1 |
| 4-2 | 2 | W0216 | DC97-22381A | ASSY DRAWER-MODULE; WW6000T,WW90T684DLH/S | SA | 1 |
| 5 | 1 | | DC90-28641J | ASSY PANEL CONTROL PARTS; WW6000T,WW90T60 | SNA | 1 |
| 6 | 1 | | DC90-28647A | ASSY TUB BACK PARTS; WW6000T,WW90T684DLH/ | SNA | 1 |

| No. | Lvl. | Loc. | Material Code | Description & Specification | SNA | Qty. |
|-------|------|--------|---------------|--|-----|------|
| 7 | 1 | W0165 | DC90-12363A | ASSY DRUM; F500E,WF80F5E5U4W/EF | SNA | 1 |
| 8 | 1 | | DC90-28646A | ASSY TUB FRONT PARTS; WW6000T,WW90T684DLH | SNA | 1 |
| 9 | 1 | | DC90-28651A | ASSY ACCESSORY PARTS; WW6000T,WW90T684DLH | SNA | 1 |
| 9-1 | 2 | W0718 | DC98-04403A | ASSY ACCESSORY; WW6000T,WW90T684DLH/S1 | SNA | 1 |
| 9-1-1 | 3 | WJ5077 | DC60-40146A | BOLT SPANER; PO-SPHC,T2.5,L166 | SA | 1 |
| 9-1-2 | 3 | W0614 | DC67-00208B | CAP-FIXER; WF8602NHS/XFA,PP,T1.5,COPO,BLA | SA | 1 |
| 9-1-3 | 3 | W0614 | DC67-00307A | CAP-FIXER; WF438AAC/XAA,PP,T1.5,COPO,BLAC | SC | 3 |
| 9-1-4 | 3 | W0626 | DC67-00357A | HOSE-HANGER; SEM,PP+TD20%,ID24.13,T2,INNE | SA | 1 |
| 9-1-5 | 3 | W0757 | DC97-17845A | ASSY HOSE WATER; COLD,ALL MODEL | SA | 1 |
| 10 | 2 | W0603 | DC97-14653C | ASSY FIXER TUB; SCOUT,WF0804Y8E/XEF | SA | 3 |

3. Assy Frame & Inner Parts

Exploded View



Parts List

| No. | Lvl. | Loc. | Material Code | Description & Specification | SNA | Qty. |
|-------|------|--------|---------------|--|-----|------|
| 1 | 1 | | DC90-28642C | ASSY FRAME PARTS; WW5000T,WW90T534DAW/S3 | SNA | 1 |
| 1-1 | 2 | W0102 | 6009-001240 | SCREW-SPECIAL; TH,+,M5,L13.5,ZPC(WHT),SWR | SA | 2 |
| 1-2 | 2 | | DC61-01901A | GUIDE FRAME FRONT; ALL MODEL,POM,K300,NAT | SNA | 2 |
| 1-3 | 2 | WI0266 | DC61-02065A | GUIDE SPRING; WF448AAG/XXA,POM,T4,W24,L36 | SA | 2 |
| 1-4 | 2 | W0248 | DC61-03467A | FRAME PLATE-UP; WF-F500E,GI-SGCC,T1,L581, | SA | 1 |
| 1-5 | 2 | | DC61-05003A | GUIDE HOSE DRAIN; F500E Platform,ABS,T2.6 | SNA | 1 |
| 1-6 | 2 | W0629 | DC61-20001B | SHUTTER; F500E Platform, VE,PP,J550S,NATU | SA | 1 |
| 1-7 | 2 | G0430 | DC97-22389A | ASSY COVER BACK; WW6000T,WW90T684DLH/S1 | SA | 1 |
| 1-7-1 | 3 | | DC63-01034D | COVER BACK; W6000J,GI-SGCC,T0.35 | SA | 1 |

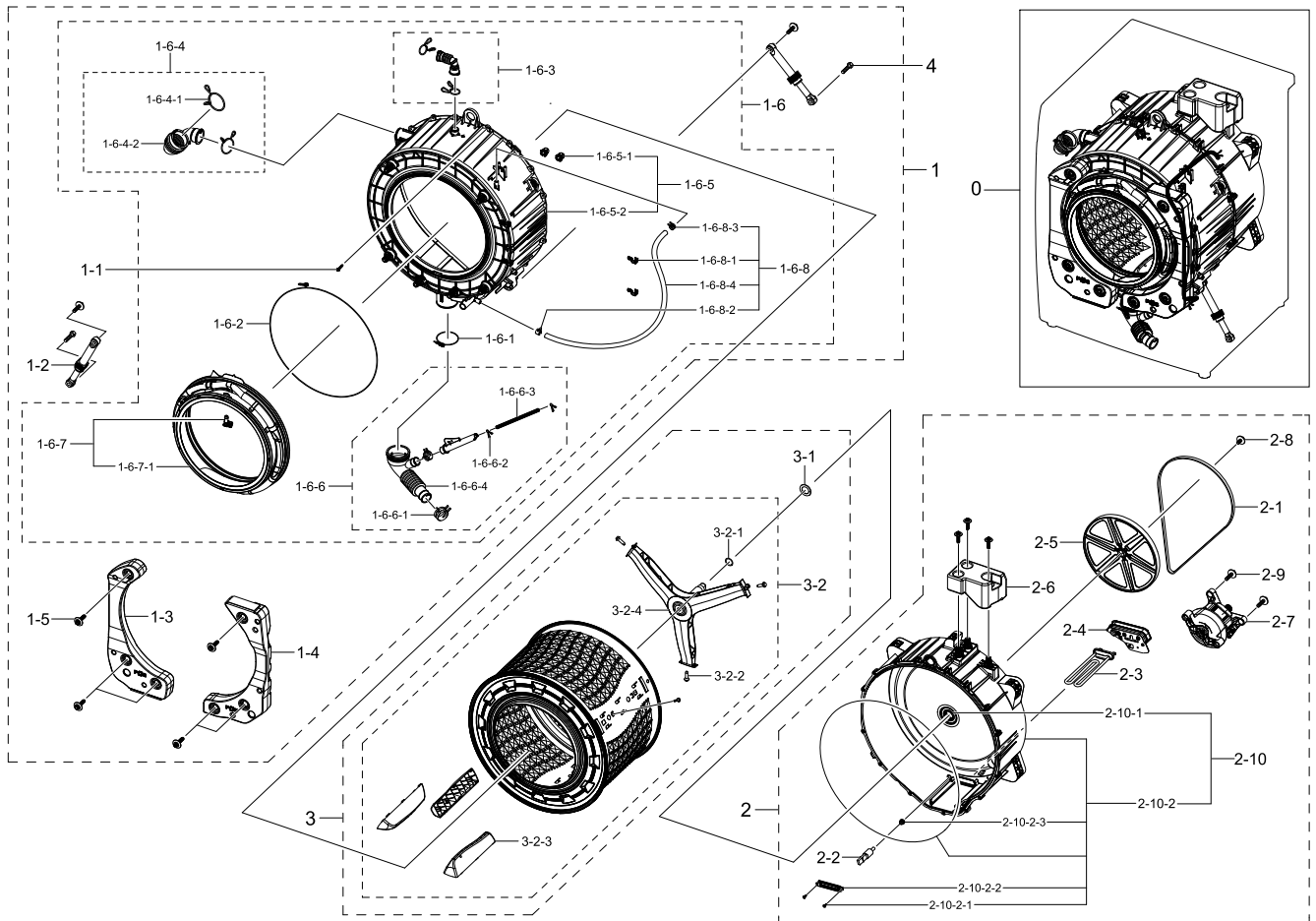
| No. | Lvl. | Loc. | Material Code | Description & Specification | SNA | Qty. |
|------------|------|--------|---------------|--|-----|------|
| 1-8 | 2 | | DC63-02181A | COVER CONNECTOR; WW5500K (SEHC),PP,HB,NAT | SA | 1 |
| 1-9 | 2 | W0606 | DC97-00920W | ASSY LEG; WW6000T,WD90T654DBH/S1,48.5,M10 | SA | 4 |
| 1-10 | 2 | M0030 | DC97-14006A | ASSY SCREW; WF203,M4/L16 | SA | 2 |
| 1-11 | 2 | M0030 | DC97-14006B | ASSY SCREW; WW5000J,M4,L16,OD14.8,NO RUBB | SA | 5 |
| 1-12 | 2 | W0604 | DC97-16240B | ASSY HOSE DRAIN(O); F500E,WF80F5E5,ASSY,L | SA | 1 |
| 1-13 | 2 | W0194 | DC97-17336H | ASSY PUMP DRAIN; WW6000T,EUR1,Bubble,220- | SA | 1 |
| 1-13-1 | 3 | | DC31-00181E | MOTOR AC PUMP; Drum,S3032,2Pole,220-240V, | SA | 2 |
| 1-13-2 | 3 | WI0107 | DC61-10673A | CAP DRAIN; WF220ANW,PP,-,-,-,-,CNTK-P10 | SA | 1 |
| 1-13-3 | 3 | U2015 | DC67-00244C | HOSE DRAIN; WF0804Y8E,EPDM,ID6,OD11,T2.5, | SA | 1 |
| 1-13-4 | 3 | | DC69-01128A | PACKING-PUMP; WF8804DP,IR,BUTYL,T2.5,HEB | SA | 1 |
| 1-13-5 | 3 | G0050 | DC97-15695A | ASSY FILTER; GRIFFIN-PJT,WF9804RWE,PP+EPD | SA | 1 |
| 1-13-5-1 | 4 | WI0357 | DC64-01317A | HANDLE FILTER; BAIKAL,PP,GY0162,DARK HOLD | SA | 1 |
| 1-13-5-2 | 4 | | DC97-19203A | ASSY SEMI FILTER; F500/400, WW6000/3000,B | SNA | 1 |
| 1-13-5-2-1 | 5 | W0633 | DC63-00998A | FILTER PUMP; SCOUT-PJT,PP+TD30%,W52.8,L93 | SA | 1 |
| 1-13-6 | 3 | G0422 | DC97-17339B | ASSY HOSE AIR; WW5000J,BUBBLE,ID 19.3,BLK | SA | 1 |
| 1-13-6-1 | 4 | G0053 | DC67-00671A | HOSE AIR TUB; F500,EPDM,ID19.3,T2.5,BLACK | SA | 1 |
| 1-13-7 | 3 | W0514 | DC97-19376A | ASSY CASE FILTER; F500E,WF80F5E5U4W/EF,BU | SA | 1 |
| 1-13-7-1 | 4 | WO0031 | DC63-00905A | CUSHION PUMP; WF8802DPF/XET,NBR,W37.6,L11 | SA | 1 |
| 1-14 | 2 | W0506 | DC97-22383A | ASSY FRAME-MODULE; WW6000T,T0.7,DA WHITE | SA | 1 |
| 1-15 | 2 | | DD61-00140A | BRACKET-TAPPING; SDW-T120B,SWRCH10A,T0.6, | SNA | 2 |
| 2 | 1 | | DC90-28643A | ASSY COVER TOP PARTS; WW6000T,WW90T684DLH | SNA | 1 |
| 2-1 | 2 | G0412 | 6002-000613 | SCREW-TAPPING; TH,+,-,2,M5,L16,ZPC(WHT),S | SNA | 2 |
| 2-2 | 2 | W0183 | DC97-22310A | ASSY COVER TOP-MODULE; F400,8kg,ABS+CHIP | SA | 1 |
| 3 | 1 | | DC90-28648A | ASSY INNER PARTS; WW6000T,WW90T684DLH/S1 | SNA | 1 |
| 3-1 | 2 | | DC61-02029D | SPRING ETC-HANGER MODULE; WW6800M,HSWR,3. | SA | 2 |
| 3-2 | 2 | | DC92-02758A | ASSY COVER PCB W/HARNESS; WW6000T,WW90T68 | SNA | 1 |
| 3-2-1 | 3 | | DC27-00012A | COIL HARMONIC; 4.5mH,40x69x39mm,3A,- | SA | 1 |
| 3-2-2 | 3 | | DC93-00883B | ASSY WIRE HARNESS-MAIN; DRUM-M,WW6000T,F- | SA | 1 |

Exploded Views and Parts List

| No. | Lvl. | Loc. | Material Code | Description & Specification | SNA | Qty. |
|-------|------|-------|---------------|--|-----|------|
| 3-2-3 | 3 | | DC94-10600A | ASSY PCB EEPROM; 504D,WW6800T,Micom_C3+22 | SA | 1 |
| 3-3 | 2 | H2050 | DC96-01703Q | SENSOR PRESSURE; Air,5V,L0,400mmH2O | SA | 1 |
| 4 | 2 | | DC39-00067B | POWER CORD-AT; H05VV-F 3x1.0mm2,GRY,EU3F, | SA | 1 |

4. Assy Tub & Drum Parts

Exploded View



Parts List

| No. | Lvl. | Loc. | Material Code | Description & Specification | SNA | Qty. |
|-------|------|-------|---------------|--|-----|------|
| 1 | 1 | | DC90-28646A | ASSY TUB FRONT PARTS; WW6000T,WW90T684DLH | SNA | 1 |
| 1-1 | 2 | G0049 | 6009-001367 | BOLT-HEX; M6.5,L32,ZPC(WHT),HWH,+,SWRCH18 | SA | 15 |
| 1-2 | 2 | | DC66-00470G | DAMPER SHOCK-MODULE; 24" Drum,PP/RUBBER/S | SA | 2 |
| 1-3 | 2 | | DC67-01109B | WEIGHT BALANCER-LEFT MODULE; WW6000T,CONC | SA | 1 |
| 1-4 | 2 | | DC67-01110B | WEIGHT BALANCER-RIGHT MODULE; WW6000T,CON | SA | 1 |
| 1-5 | 2 | W0601 | DC97-14263A | ASSY BOLT; MOTOR/BOLT(M8)+WASHER(OD27.5), | SA | 8 |
| 1-6 | 2 | G0048 | DC97-22380A | ASSY TUB FRONT-MODULE; WW6000T,WW90T684DL | SNA | 1 |
| 1-6-1 | 3 | W0744 | DC65-00021A | CLAMPER HOSE-JOINT; HEBA PJT,HSWR | SA | 1 |

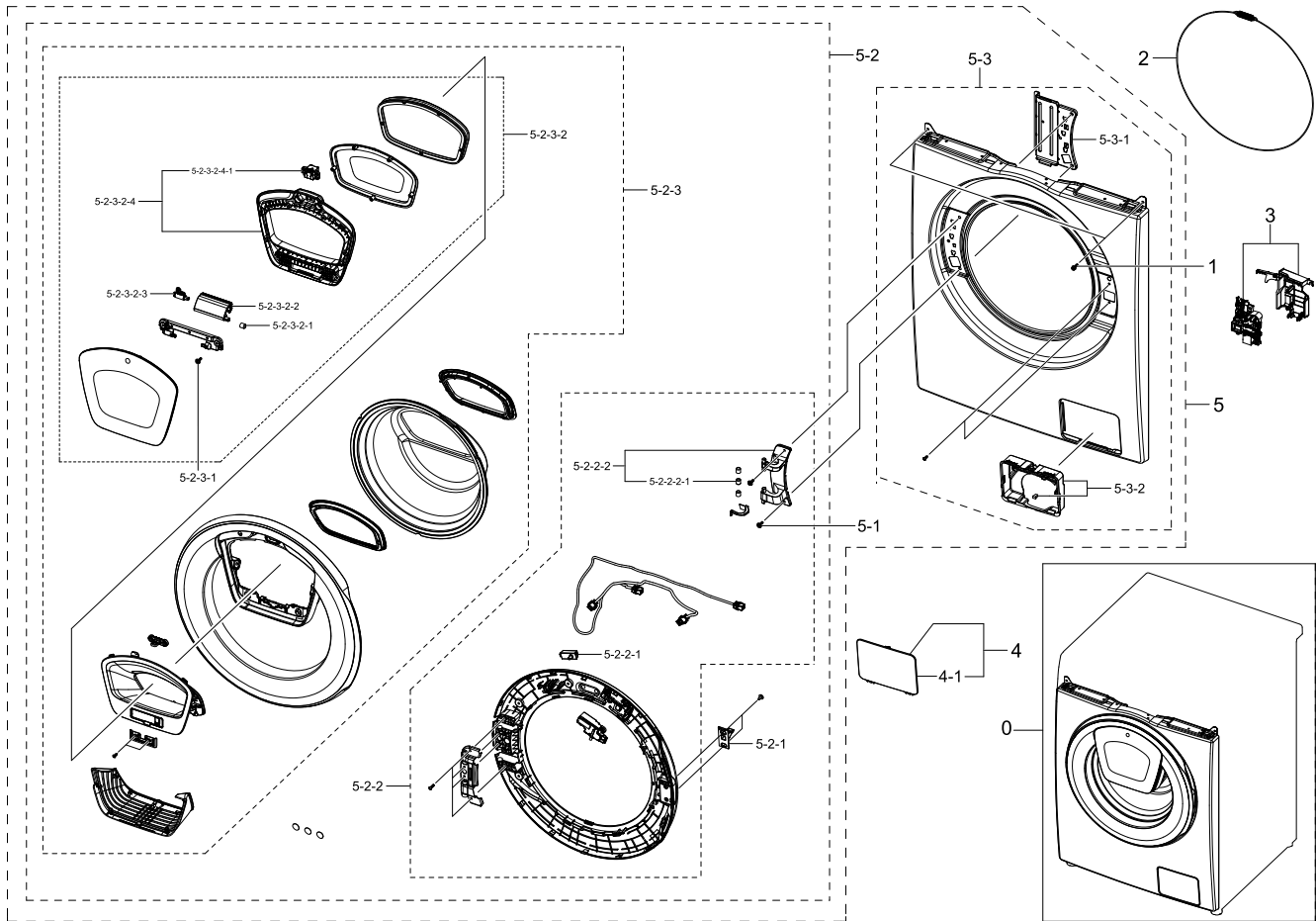
Exploded Views and Parts List

| No. | Lvl. | Loc. | Material Code | Description & Specification | SNA | Qty. |
|---------|------|--------|---------------|--|-----|------|
| 1-6-2 | 3 | M0038 | DC97-14618A | ASSY CLAMP DIAPHRAGM; WF8804DP,OD2.0/L124 | SA | 1 |
| 1-6-3 | 3 | G0422 | DC97-14873C | ASSY HOSE AIR; F500,WF80F5E5U4W | SA | 1 |
| 1-6-4 | 3 | G0043 | DC97-14874F | ASSY HOSE DRAWER; F500E,ALL | SA | 1 |
| 1-6-4-1 | 4 | | DC61-04117A | CLIP RING; HSWR,T3.0 | SA | 1 |
| 1-6-4-2 | 4 | WJ0027 | DC72-00001G | CLIP RING; HEBA-PJT,HSWR,HSWR-SWRH ZPC2,T | SA | 1 |
| 1-6-5 | 3 | W0636 | DC97-17327D | ASSY SEMI TUB FRONT; WW6000T,FRPP,BUBBLE, | SNA | 1 |
| 1-6-5-1 | 4 | WS0064 | DC61-02549A | BUSH MOTOR; HEBA BIGBANG,PA,NATURAL | SA | 2 |
| 1-6-5-2 | 4 | | DC61-03453G | TUB FRONT; WW6000T,PP+GF30%,T3.5,NATURAL, | SA | 1 |
| 1-6-6 | 3 | W0605 | DC97-17330A | ASSY HOSE PRESSURE; F500E,WF80F5E5U4W/EF | SA | 1 |
| 1-6-6-1 | 4 | W0615 | DC61-00219C | CLAMPER HOSE; SK5,WLSL1100A,ID35,ZPC2 | SA | 1 |
| 1-6-6-2 | 4 | WP0165 | DC61-70029C | CLIP RING; SEW-HW125,HSWR,WHITE | SA | 2 |
| 1-6-6-3 | 4 | W0725 | DC67-00230E | HOSE WATER; WD8704,TPE,ID4.5 | SA | 1 |
| 1-6-6-4 | 4 | W0625 | DC67-00551A | HOSE FILTER TUB; VOLGA,EPDM,ID64.5,OD70,T | SA | 1 |
| 1-6-7 | 3 | M0045 | DC97-18852A | ASSY DIAPHRAGM; WW6000J | SA | 1 |
| 1-6-7-1 | 4 | | DC64-03197A | DOOR DIAPHRAGM; WW6,5,4,3000J,TPE,DARK HO | SA | 1 |
| 1-6-8 | 3 | | DC97-22378A | ASSY HOSE CIRCULATION; WW6000T,WW90T684DL | SNA | 1 |
| 1-6-8-1 | 4 | G0415 | DC61-02646A | GUIDE HOSE; WF0804Y8E,PP,T2,W9.8,L36.6,RM | SA | 2 |
| 1-6-8-2 | 4 | W0615 | DC65-00008A | CLAMPER HOSE; SEW-DR605,SK5,ID14.2/T0.9 | SA | 5 |
| 1-6-8-3 | 4 | W0615 | DC65-00008F | CLAMPER HOSE; F500E,SK5,ID14.2 / T0.9 / W | SA | 1 |
| 1-6-8-4 | 4 | G0052 | DC67-00471E | HOSE CIRCULATION; F500E,EPDM,ID9,T2.75,BL | SA | 1 |
| 2 | 1 | | DC90-28647A | ASSY TUB BACK PARTS; WW6000T,WW90T684DLH/ | SNA | 1 |
| 2-1 | 2 | W0209 | 6602-003939 | BELT-TIMING GEAR; RUBBER,BLK,T3.2,W11.7,L | SA | 1 |
| 2-2 | 2 | M0487 | DC32-00010C | THERMISTOR; WASHER,-10~100,5,5,3.243k ± 2 | SA | 1 |
| 2-3 | 2 | W0237 | DC47-00033B | HEATER WASH; AC230V,2000W,SUS316L,728mm,N | SA | 1 |
| 2-4 | 2 | W0235 | DC63-01553A | COVER HEATER; F500 PJT,PC+ABS,W77,L168.1, | SA | 1 |
| 2-5 | 2 | W0434 | DC66-00767A | PULLEY MOTOR; F500,PA66,NATURAL,OD296.8 | SA | 1 |
| 2-6 | 2 | | DC67-01108A | WEIGHT BALANCER-UP MODULE; WW6000T,CONCRE | SA | 1 |
| 2-7 | 2 | | DC93-00630A | ASSY MOTOR BLDC-MODULE; F4 24mm Press Hou | SA | 1 |
| 2-8 | 2 | W0601 | DC97-06080F | ASSY BOLT; WD9500J,30,M12,Washer 38 | SA | 1 |
| 2-9 | 2 | W0601 | DC97-14263A | ASSY BOLT; MOTOR/BOLT(M8)+WASHER(OD27.5), | SA | 5 |
| 2-10 | 2 | W0501 | DC97-17334C | ASSY TUB BACK-MODULE; WW6000T, FRPP GF 30 | SA | 1 |
| 2-10-1 | 3 | WS0119 | DC62-00008A | SEAL OIL; NBR,BLACK,-,NBU | SA | 1 |

| No. | Lvl. | Loc. | Material Code | Description & Specification | SNA | Qty. |
|----------|------|--------|---------------|---|-----|------|
| 2-10-2 | 3 | G0029 | DC97-17329C | ASSY SEMI TUB BACK; WW6000T,FRPP,GF30%,SE | SNA | 1 |
| 2-10-2-1 | 4 | W0105 | 6002-000473 | SCREW-TAPPING; TH,+,NO,1,M4,L14,PASS,STS3 | SA | 2 |
| 2-10-2-2 | 4 | W0230 | DC61-02874A | BRACKET HEATER; WD0704CQR,STS430,T0.5 | SA | 1 |
| 2-10-2-3 | 4 | M0028 | DC69-00824A | PACKING-THERMISTOR; GW-PJT,EPDM,-,-,W17,H | SA | 1 |
| 3 | 1 | W0165 | DC90-12363A | ASSY DRUM; F500E,WF80F5E5U4W/EF | SNA | 1 |
| 3-1 | 2 | WS0131 | DC60-00069A | SPACER; WR-HA139WA,STS304 | SA | 1 |
| 3-2 | 2 | W0165 | DC97-17231A | ASSY DRUM-MODULE; F500 PJT | SA | 1 |
| 3-2-1 | 3 | | 6044-002157 | RING-OG; ID28,OD32.2,T2.1,BLK,NBR | SA | 1 |
| 3-2-2 | 3 | WJ5081 | DC60-40137A | BOLT HEX; MARS-PJT,STS430,M8,P1.25,L30,HE | SA | 3 |
| 3-2-3 | 3 | W0619 | DC66-00759A | DRUM LIFTER; F500 PJT,PP+TD20%,FC2210,INN | SA | 3 |
| 3-2-4 | 3 | W0164 | DC97-17234A | ASSY FLANGE SHAFT; F500 PJT,71.5 | SA | 1 |
| 4 | 2 | G0049 | DC60-40144A | BOLT HEX; F500,SM10C,T10,L35,DAMPER | SA | 2 |

5. Assy Front Parts

Exploded View



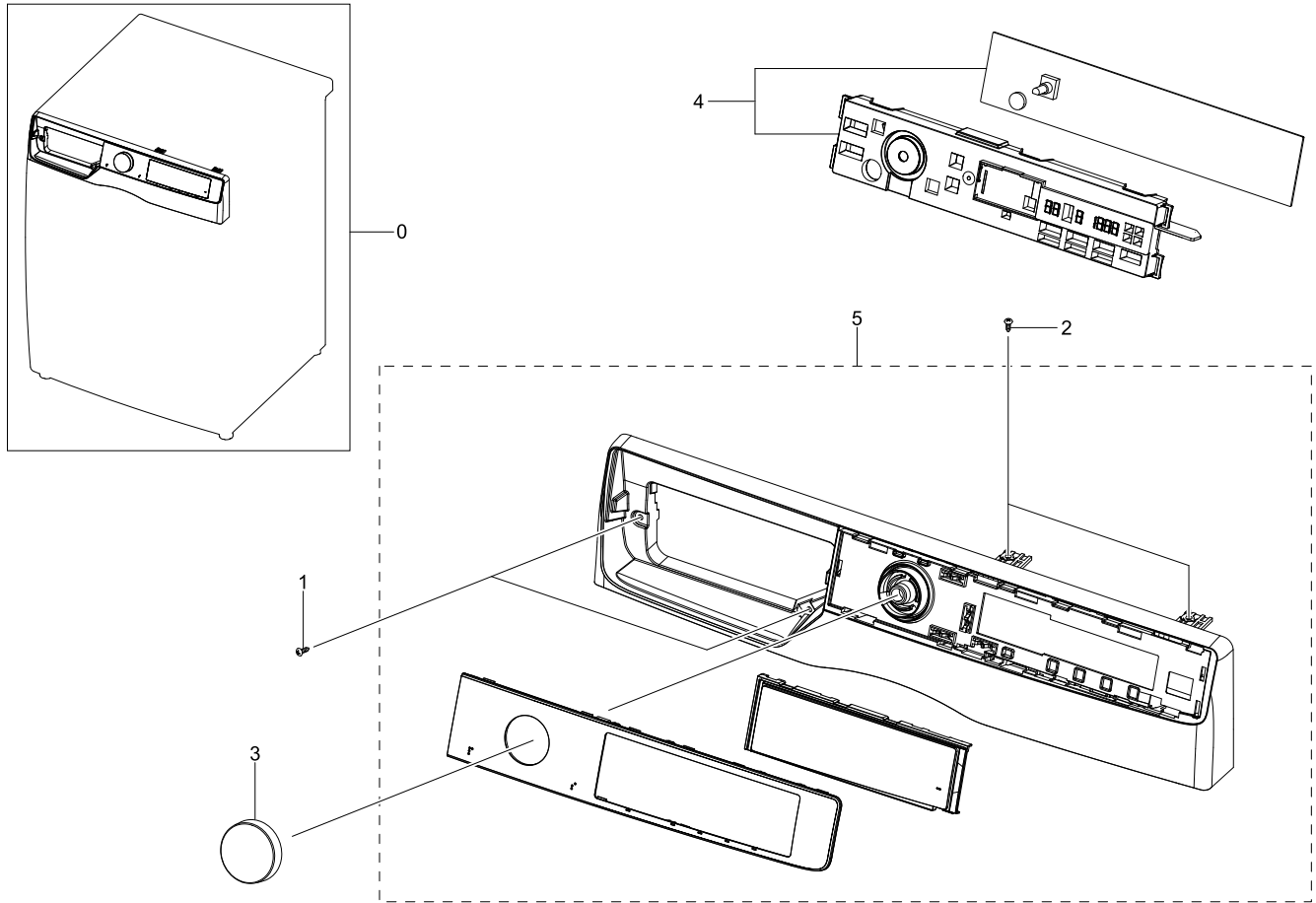
Parts List

| No. | Lvl. | Loc. | Material Code | Description & Specification | SNA | Qty. |
|-------|------|-------|---------------|--|-----|------|
| 0 | 1 | | DC90-28645A | ASSY FRONT PARTS; WW6000T,WW90T684DLH/S1 | SNA | 1 |
| 1 | 2 | W0105 | 6002-001438 | SCREW-TAPPING; HWH,+,NO,1,M5,L12,ZPC(WHT) | SA | 2 |
| 2 | 2 | W0608 | DC91-12078D | ASSY WIRE DIAPHRAGM; HEBA-PJT,-,-,-,-,- | SA | 1 |
| 3 | 2 | | DC97-22289A | ASSY COVER DOOR SWITCH; WW6000T | SA | 1 |
| 4 | 2 | M0039 | DC97-22290A | ASSY COVER FILTER; WW6000T,ABS,T2.5,DA WH | SA | 1 |
| 4-1 | 3 | | DC63-00920M | COVER FILTER; ADD WASH,ABS,T2.5,DA WHITE, | SA | 1 |
| 5 | 2 | W0253 | DC97-22377A | ASSY FRAME FRONT; WW6000T,WW90T684DLH/S1 | SNA | 1 |
| 5-1 | 3 | G0425 | 6009-001522 | SCREW-HEX; HWH,+,M5,L16,PASS,STS430,FP,SE | SA | 2 |
| 5-2 | 3 | W0459 | DC97-22375A | ASSY DOOR-MODULE; WW6000T,ADD WASH,EBONY | SA | 1 |
| 5-2-1 | 4 | W0474 | DC66-00375A | LEVER DOOR; 10KG DRUM,ZNDC,T2.5,-,-,-,-,N | SA | 1 |
| 5-2-2 | 4 | W0454 | DC97-22129A | ASSY HOLDER GLASS; WW8000T,ADD WASH | SNA | 1 |

| No. | Lvl. | Loc. | Material Code | Description & Specification | SNA | Qty. |
|-------------|------|--------|---------------|--|-----|------|
| 5-2-2-1 | 5 | | DC64-00828G | SWITCH DOOR; AC125/250V,1.5/0.75A,1BUTTON | SA | 1 |
| 5-2-2-2 | 5 | | DC97-20016A | ASSY HINGE DOOR; WW6500, WW5500, WW4500 | SNA | 1 |
| 5-2-2-2-1 | 6 | WD0090 | DC61-00891A | GUIDE HINGE; HAUZEN(DOM),POM,F20-03,white | SA | 3 |
| 5-2-3 | 4 | W0457 | DC97-22376A | ASSY COVER DOOR; WW6000T,WW90T684DLH/S1,A | SNA | 1 |
| 5-2-3-1 | 5 | G0425 | 6009-001522 | SCREW-HEX; HWH,+,M5,L16,PASS,STS430,FP,SE | SA | 2 |
| 5-2-3-2 | 5 | W0459 | DC97-22388A | ASSY DOOR; WW6000T,ADD WASH,EBONY BLACK,2 | SNA | 1 |
| 5-2-3-2-1 | 6 | WD0090 | DC61-00891A | GUIDE HINGE; HAUZEN(DOM),POM,F20-03,white | SA | 1 |
| 5-2-3-2-2 | 6 | | DC61-04133D | HINGE DOOR; ADD WASH,PA6+GF50%,-,VERSAILL | SA | 1 |
| 5-2-3-2-3 | 6 | | DC66-00878A | DAMPER SHOCK-AXIS; WD9500JK,POM,NATURAL | SA | 1 |
| 5-2-3-2-4 | 6 | W0454 | DC97-19478A | ASSY HOLDER GLASS; ADD WASH,HOLDER GLASS | SNA | 1 |
| 5-2-3-2-4-1 | 7 | | DC97-19401A | ASSY LATCH; WW8500K | SA | 1 |
| 5-3 | 3 | | DC97-22382A | ASSY FRAME FRONT-MODULE; WW6000T,WW90T684 | SA | 1 |
| 5-3-1 | 4 | W0226 | DC61-02584A | BRACKET HINGE; GI-SGCC,T1.4,W127,L178 | SA | 1 |
| 5-3-2 | 4 | | DC97-20168A | ASSY FILTER GUIDE; F500,WW5,WW6,WF80F5E5U | SA | 1 |

6. Assy Panel Control Parts

Exploded View

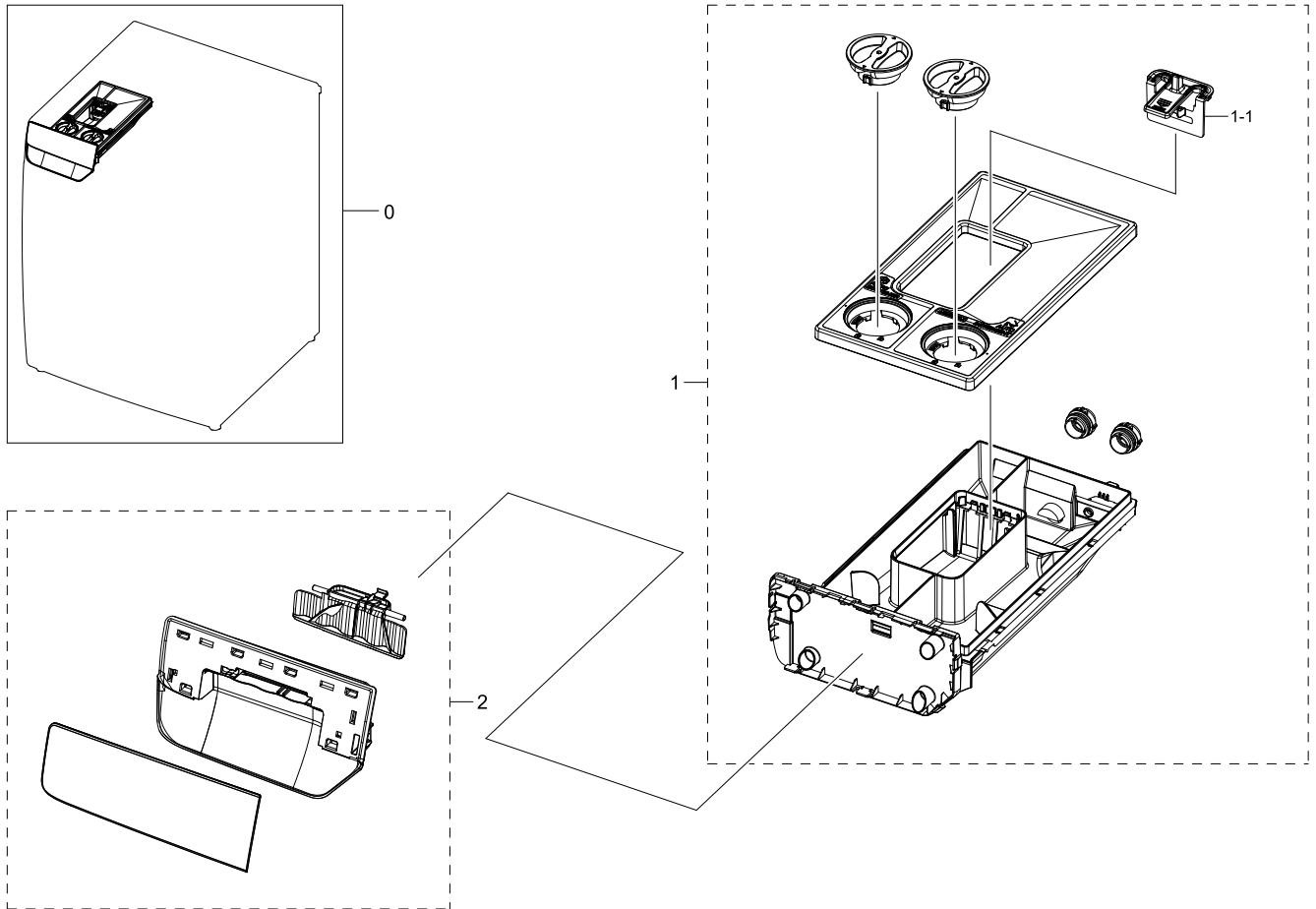


Parts List

| No. | Lvl. | Loc. | Material Code | Description & Specification | SNA | Qty. |
|-----|------|--------|---------------|--|-----|------|
| 0 | 1 | | DC90-28641J | ASSY PANEL CONTROL PARTS; WW6000T,WW90T60 | SNA | 1 |
| 1 | 2 | W0105 | 6002-000445 | SCREW-TAPPING; TH,+,NO,2,M4,L18,PASS,STS4 | SNA | 2 |
| 2 | 2 | WX0441 | 6002-000520 | SCREW-TAPPING; TH,+,2,M4,L12,ZPC(WHT),SWR | SNA | 2 |
| 3 | 2 | | DC64-03921A | KNOB ENCODER; A1 SIMPLE,ABS,HB,NATURAL,CH | SA | 1 |
| 4 | 2 | | DC92-02642J | ASSY MODULE; FWM_Touch Display,WW6500T,8k | SA | 1 |
| 5 | 2 | W0478 | DC97-22384F | ASSY PANEL CONTROL-MODULE; WW6000T,GOOD D | SA | 1 |

7. Assy Drawer

Exploded View

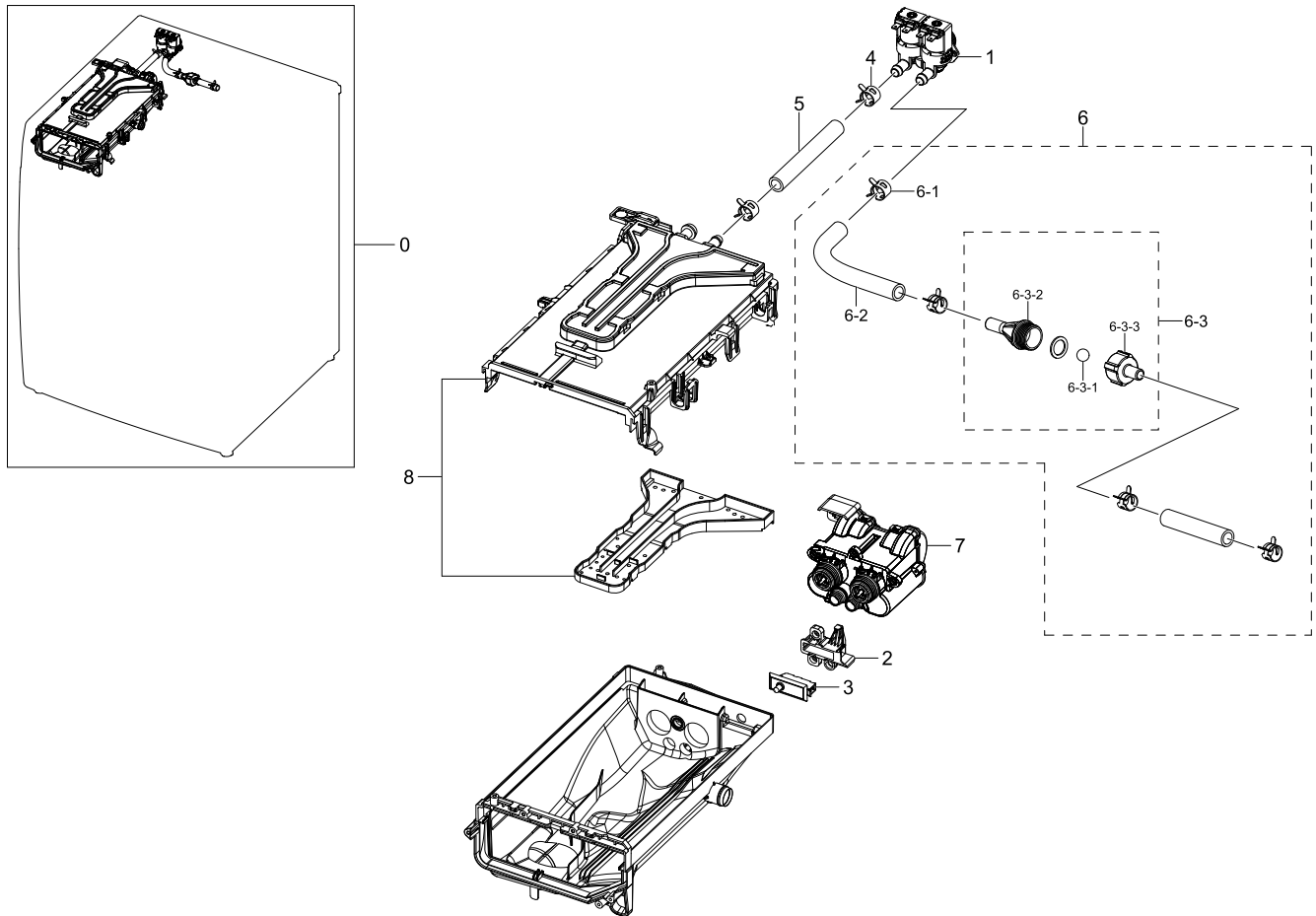


Parts List

| No. | Lvl. | Loc. | Material Code | Description & Specification | SNA | Qty. |
|-----|------|-------|---------------|--|-----|------|
| 0 | 2 | W0216 | DC97-22381A | ASSY DRAWER-MODULE; WW6000T,WW90T684DLH/S | SA | 1 |
| 1 | 3 | W0216 | DC97-22236A | ASSY DRAWER; U-PJT,WW7000T,24inch | SA | 1 |
| 1-1 | 4 | | DC67-00928A | CAP GUIDE WATER; WW8800M,PP+TD30%,MT43,Ho | SA | 1 |
| 2 | 3 | W0158 | DC97-22237A | ASSY PANEL DRAWER; U-PJT,WW7000T,AOW (ASD | SA | 1 |

8. Assy Housing Drawer

Exploded View



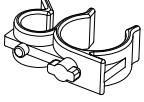
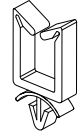
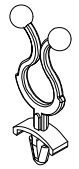

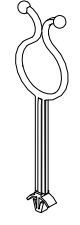



Parts List

| No. | Lvl. | Loc. | Material Code | Description & Specification | SNA | Qty. |
|-------|------|-------|---------------|--|-----|------|
| 0 | 2 | W0163 | DC97-22238F | ASSY HOUSING DRAWER-MODULE; U-PJT (F500), | SA | 1 |
| 1 | 3 | | DC33-01010A | VALVE WATER; DC12V,Bracket,mm,#250,1,2,11 | SA | 1 |
| 2 | 3 | | DC63-02160A | COVER DOOR SWITCH; WW10M86DQOO/EU,PP+TD30 | SA | 1 |
| 3 | 3 | | DC64-00828H | SWITCH DOOR; AC125-250V,0.75-1.5A,1BUTTON | SA | 1 |
| 4 | 3 | W0615 | DC65-00008A | CLAMPER HOSE; SEW-DR605,SK5,ID14.2/T0.9 | SA | 2 |
| 5 | 3 | | DC67-00949A | HOSE DRAWER; WW10M86DQOA/EU,EPDM,ID9,HS65 | SA | 1 |
| 6 | 3 | | DC97-18851C | ASSY HOSE CONNECTOR; WW6000T,WW90T684DLH/ | SA | 1 |
| 6-1 | 4 | W0615 | DC65-00008A | CLAMPER HOSE; SEW-DR605,SK5,ID14.2/T0.9 | SA | 5 |
| 6-2 | 4 | | DC67-00849A | HOSE DRAWER; WW8500K,EPDM,BLACK | SA | 1 |
| 6-3 | 4 | | DC93-00306A | ASSY S.NOZZLE CONNECTOR; WD0804,SCOUT COM | SNA | 1 |
| 6-3-1 | 5 | | DC62-00167A | NOZZLE BALL; Q1636GW,SILICON,-,-,-,-,-,TS | SA | 1 |

| No. | Lvl. | Loc. | Material Code | Description & Specification | SNA | Qty. |
|-------|------|-------|---------------|--|-----|------|
| 6-3-2 | 5 | M0031 | DC62-00182A | NOZZLE CONNECTOR-UP; COMBO,POM,NATURAL,TS | SA | 1 |
| 6-3-3 | 5 | M0032 | DC62-00183A | NOZZLE CONNECTOR-LOW; COMBO,POM,NATURAL | SA | 1 |
| 7 | 3 | W0194 | DC97-19821A | ASSY PUMP DRAIN; ASD,WD9500M,12V,DC | SA | 1 |
| 8 | 3 | W0497 | DC97-22239A | ASSY S.HOUSING DRAWER; U-PJT,WW7000T,PP,2 | SA | 1 |

9. Small Parts

Exploded View

| | | | | |
|---|---|---|--|---|
|  |  |  |  |  |
| 1 | 2 | 3 | 4 | 5 |
|  |  |  | | |
| 6 | 7 | 8 | | |

Parts List

| No. | Lvl. | Loc. | Material Code | Description & Specification | SNA | Qty. |
|-----|------|--------|---------------|--|-----|------|
| 1 | 2 | W0616 | DC61-00133A | CLAMPER HOSE-FIX; P1291,PP,BLACK,HOSE+PLU | SA | 3 |
| 2 | 2 | M0001 | DC61-00553B | CABLE CLAMP; DAWS-3NE,PA66,NTR | SA | 1 |
| 3 | 2 | | 6502-000127 | CABLE CLAMP; DAWH-18NB,PA66,NTR | SA | 1 |
| 4 | 2 | | DC65-20010A | CABLE CLAMP; DA-9N-1,NYLON66,NTR | SNA | 1 |
| 5 | 2 | WI0293 | DC61-00995C | HOLDER WIRE; HEBA-PJT,PA66,W6,L145,NATURA | SA | 1 |
| 6 | 3 | M0001 | DC61-00553C | CABLE CLAMP; -,PA66,NTR | SNA | 1 |
| 7 | 2 | WI0295 | DC61-60074A | HOLDER WIRE; PA,NATURAL,101F,rectangle | SA | 1 |
| 8 | 2 | W0623 | DC61-40083A | HOLDER WIRE; DAWH-3ND,PA66,NATURAL,NTR(PI | SA | 1 |