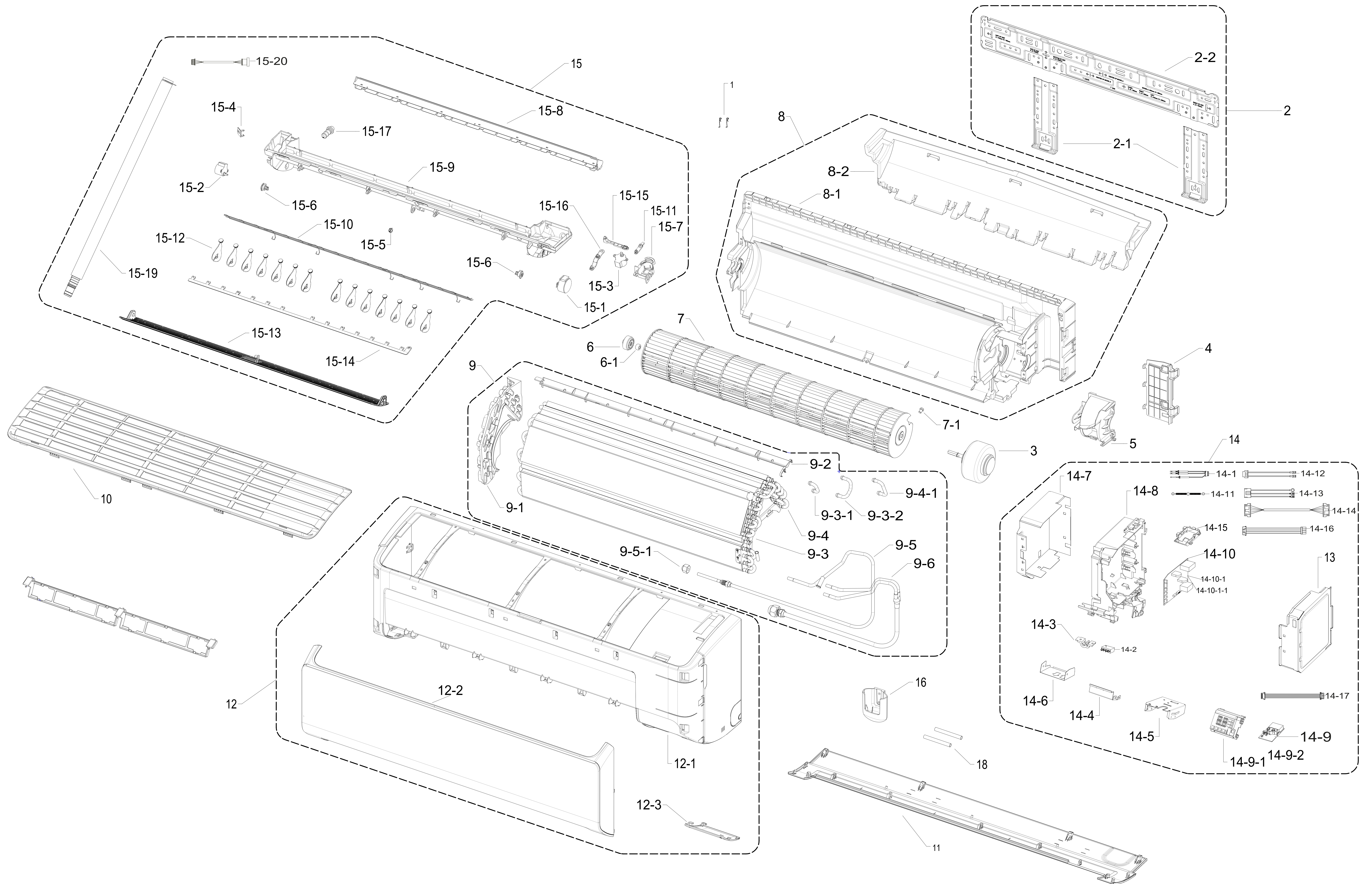


EXPLODED VIEW : INDOOR

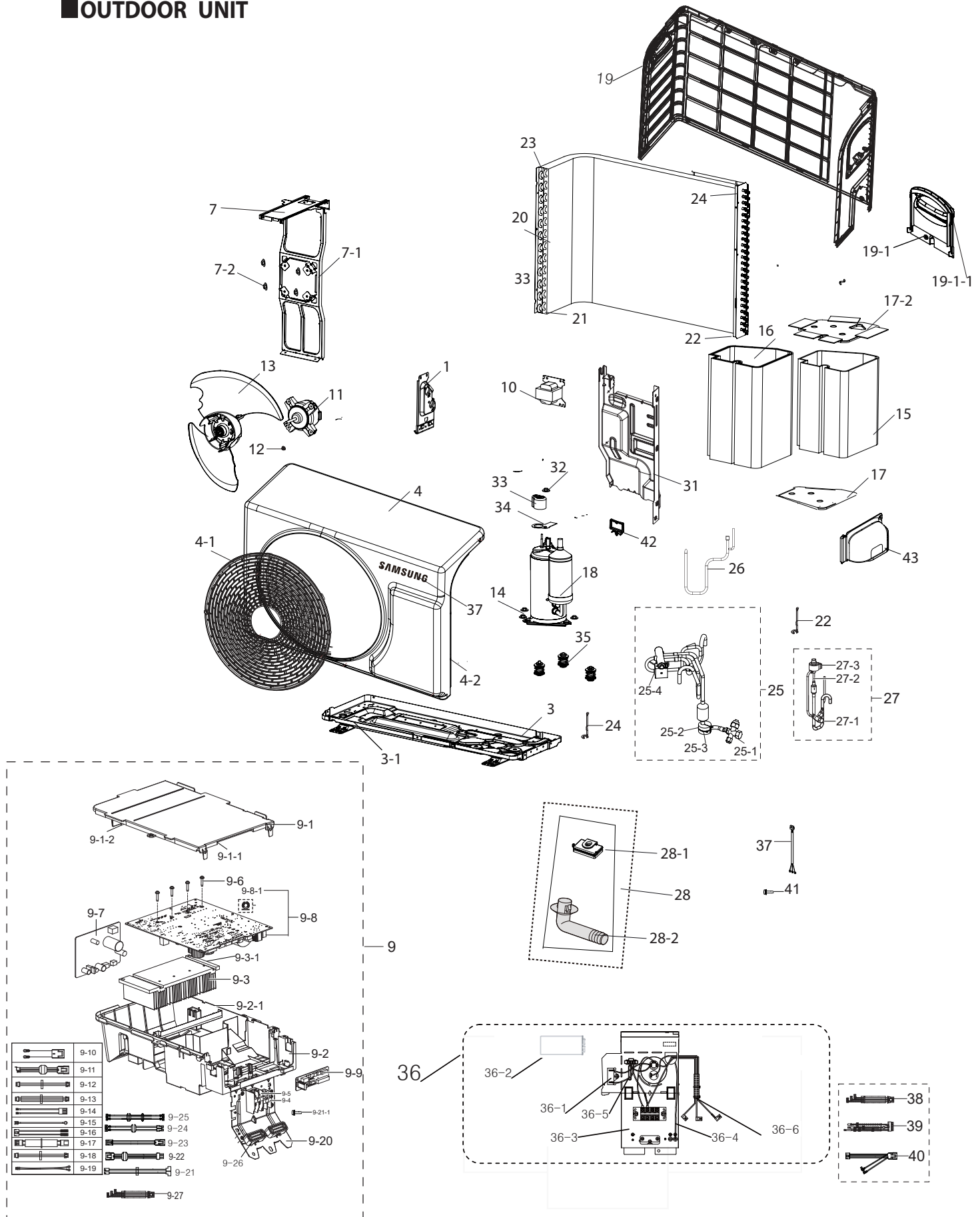


■ Parts List

Exploded Views and Parts List

AR12TXHZAWKNEU					
No.	Code No.	Description	Spec.	Q'ty	SA/SNA
1	DB67-60030A	SPRING-SENSOR	WW2-PJT,STS301,0.4,T0.4,W2.7	2	SA
2	DB90-11453A	ASSY HANGER	AR9500T,QMD RAC 1, 2	1	SA
3	DB31-00694A	MOTOR BLDC FAN	FMH2031SSA,1230rpm,310V,0.163A,27W	1	SA
6	DB94-00455B	ASSY-RUBBER BEARING	AR18MC5UDMCNNA,ASSY	1	SC
6-1	DB94-40007B	ASSY BEARING	G1-PJT,SSEC	1	SC
7	DB94-02933B	ASSY FAN CROSS	QMD RAC1,PI106.5 , L596mm	1	SA
8	DB94-07968A	ASSY BACK BODY	AR9500T,QMD RAC 1	1	SA
8-1	DB61-07422A	BODY BACK	HIPS,T2.2,BLACK,QMD RAC 1	1	SA
9	DB96-24831A	ASSY EVAP-TOTAL	S1-5,L591, 1BY2, EU	1	SA
9-2	DB63-04230A	COVER EVAP	AR9500T,PP,T1.8,BLACK,QMD RAC 1	1	SA
9-5-1	DB60-30010A	FASTENER-NUT FLARE	BRASS	1	SA
12	DB92-04821C	ASSY PANEL FRONT	AIRISE,DIT,QMD RAC1, WIND	1	SA
12-1	DB64-03463A	PANEL FRONT	AR9500T, QMD RAC1, WIND,HIPS,XQ-83180,DA WHITE	1	SA
12-2	DB64-03466A	GRILLE INLET	AR9500T, QMD RAC1, WIND, AIRISE,HIPS,T2.2,DA WHITE,XQ-8318	1	SA
12-3	DB93-17180A	ASSY DISPLAY	AR9500T,Hole	1	SA
14-14	DB32-00277A	SENSOR TEMP	103HW,L400,10kohm	1	SA
14-2	DB37-00033A	TERMINAL BLOCK	DAF-4P-M,MELAMINE,300V,25A,58.7X36.4X22mm,D4,NO,4P,TAB-S	1	SA
14-8	DB61-07432A	CASE CONTROL-IN	AR9500T,ABS,L260,BLACK	1	SA
14-9	DB92-04833A	ASSY PCB DISPLAY	DISPLAY_DLX,QMD RAC AR9500T,84.5x50mm,-,-,-,N,Standard	1	SA
14-9-1	DB61-07412A	CASE-LED	AR9500T, QMD RAC,HIPS,T1.8,L69,BLACK,8.8	1	SA
14-10	DB92-04839A	ASSY PCB MAIN	MAIN,QMD RAC AR9500T,142x121mm,220V-240V,5V,12V,17V,10W	1	SA
14-11	DB93-14245D	ASSY CONNECTOR WIRE-EARTH	1,1015,16,YEL/GRN,ST710095-3,ST710095-3,-,380,-,-,-,-,EVA-PLAT	1	SA
14-12	DB93-17055B	ASSY CONNECTOR WIRE-COMM	2,1007,22,RED,SMH250-03L/RED,179973-1,-,270,PVC TUBE,200,-,-	1	SA
14-13	DB93-17169A	ASSY CONNECTOR WIRE-POWER	3,1015,18,BRN,YH396-05VR/BLU,175022-1,ST710095-3,150,-,-,-,-,F	1	SA
14-14	DB93-17178A	ASSY CONNECTOR WIRE-DC SIGNAL	14,2095,26,RED,SMH200-H14H3/WHT,SMH200-H14H3/WHT,-,600,-	1	SA
15	DB94-08007B	ASSY TRAY DRAIN	DA WHITE,Y,QMD RAC 1,WIND(MANUAL)	1	SA
15-1	DB31-00370B	MOTOR STEP	35BYJ46-675,DC12V	1	SA
15-5	DB61-07418A	HINGE BLADE-A	AR9500,POM,T0.7,W10.1,F20-03	1	SA
15-6	DB61-07419A	HINGE BLADE-B	AR9500,POM,T0.7,W16.1,F20-03	1	SA
15-10	DB63-04248A	GUARD-SCREEN	AR9500T,MSWR,T1,BLACK,QMD1,L592.9	1	SA
15-2	DB66-02037A	BLADE V	AR9500,PP,T1.6,QMD RAC WIND(Manual, 6EA)	2	SA
15-13	DB66-02041A	BLADE H	AR9500,HIPS,T3.3,QMD RAC1_ WIND	1	SA
15-17	DB73-00180A	RUBBER-CAP DRAIN	SS-PJT,EPDM,PM GRAY	1	SA
15-19	DB94-02195B	ASSY DRAIN-HOSE	ALL,HOSE DRAIN L550mm	1	SA
16	DB61-06087A	HOLDER-REMOCON	DELUXE,HIPS,T2,DA WHITE,S834S1	1	SA
17	DB96-24901F	ASSY WIRELESS REMOCON	ARH-5206,20. QMD RAC GLOBAL,RS-3,ENGLISH,40.0*45.0,°C,RAC,1	1	SA
18	DB81-01328A	INSULATION TUBE	PO,T0.5,W8,L70,BLACK	2	SA

OUTDOOR UNIT



 **Parts List**

AR12TXHZAWKXEU					
No.	Code No.	Description	Spec.	Q'ty	SA/SNA
1	DB61-02753C	BRACKET VALVE	N-V2MD_Superdyma,SGMCC,T1,W98,L159,anti-corrosion	1	SA
3	DB90-02991E	ASSY BASE OUT	N-V2MD,SGMCC(SUPERDYMA),NON-PAINTING,NON-EMBO	1	SA
4	DB90-09836A	ASSY CABI FRONT	N-V2MD,ASSY	1	SA
4-1	DB63-03792A	GUARD FAN	NEW V2 MD INV,PP,EARTH BROWN	1	SA
4-2	DB64-03209A	CABINET FRONT	NEW V2 MD INV,PP,EARTH BROWN	1	SA
7	DB90-07848D	ASSY BRACKET MOTOR	N-V2MD,ASSY	1	SA
7-1	DB61-05814B	BRACKET MOTOR	GI-SGCC,T1	1	SA
9-1-1	DB61-06600A	PLATE CONTROL-UP	NEW V2 MD INV,GI-SGCC,T0.3	1	SA
9-1-2	DB63-03378A	COVER-CONTROL UPPER INSIDE	V2 MD INV,HIPS,1.5,151.5,216.9,V-0,BLACK,F744,SSEC	1	SA
9-2	DB61-06713A	PLATE CONTROL-LOW	GI-SGCC,T0.3	1	SA
9-2-1	DB61-06714A	CASE CONTROL-OUT	HIPS,T2,BLACK	1	SA
9-4	DB65-00274A	TERMINAL BLOCK	TERMINAL BLOCK,Polycarbonate, Phenol,AC300V,20A,22x36.4x24.2	1	SA
9-5	DB37-00036A	TERMINAL BLOCK	2P(4SCREW),MELAMINE,600V,30A,30X47X26mm,D4.4,NO,2P,TAB-S	1	SA
9-8	DB92-04837A	ASSY MODULE	INVERTER,QMD RAC AR9500T,142x194mm,Y,220V-240V,5V,12V,15	1	SA
9-15	DB93-12121B	ASSY CONNECTOR WIRE-EARTH WIRE	1,1015,18,YEL/GRN,173724-1,ST710197-2,-,240,-,-,-,-,PBA-EARTH,	1	SA
9-15	DB93-12121B	ASSY CONNECTOR WIRE-EARTH WIRE	1,1015,18,YEL/GRN,173724-1,ST710197-2,-,240,-,-,-,-,PBA-EARTH,	1	SA
9-16	DB93-16402A	ASSY CONNECTOR WIRE-COMM	2,1007,22,RED,YH396-02V/RED,175020-1,-,250,PVC/BLK,200,-,-,-,PB	1	SA
9-21-1	DB91-00933A	ASSY-SCREW MACHINE	MH*, FJM,M3, L12	3	SA
9-21	DB93-17175B	ASSY CONNECTOR WIRE-AC SIGNAL	2,1015,16,WHT,MG630591R/WHT,MG633976K/WHT,150,-,-,-,-,PBA	1	SA
9-22	DB93-09497B	ASSY CONNECTOR WIRE	3,1015,16,RED,MG625040/WHT,DBT061-03P/WHT,-,200,-,-,-,-,PBA	1	SA
9-23	DB93-17177A	ASSY CONNECTOR WIRE-AC SIGNAL	2,1015,18,SKY,YH396-03VR/WHT,YH396-H03PL/WHT,-,300,PVC/10	1	SA
9-25	DB93-09495S	ASSY CONNECTOR WIRE-POWER	2,1015,16,BRN,175022-1,175022-1,-,200,-,-,-,TR36/G10A,11,PBA-T/f	1	SA
9-26	DB61-02200A	HOLDER-WIRE	CN-PJT,ABS,T2,16,61.5,-,VICTORY DARK GRAY,-,-,-,-,-,PAC,SS	1	SA
9-27	DB93-12849A	ASSY CONNECTOR WIRE	3,3343,16,YEL,MG610876/WHT,MG634833/WHT,-,250,CB-600/10PI	1	SA
11	DB31-00693A	MOTOR BLDC FAN	ZKFP-30-8-222,850rpm,310V,0.3A,30W	1	SA
12	DB60-00437A	FASTENER-NUT FLANGE	SWRCH10A,14,1.2,6	1	SA
13	DB67-00997A	FAN PROPELLER	V2MD,PP+GF20%+PD20%,TSE	1	SA
14	DB60-30028A	NUT-FLANGE	HWH,M8,ZPC(WHT),SWRCH18A,P1.25/Washer Type(WP)	3	SA
15	DB63-02341A	FELT-COMP SIDE	FELT/PVC,T5+T1.6	1	SA
16	DB63-02521A	FELT-COMP OUT	AR12KSPFEWQXET,FELT/PVC,T5(FELT)+T1.6(PVC)	1	SA
17-2	DB63-02883B	FELT-COMP UPPER	FELT/PVC,T5+T1.6	1	SA
18	UB1AR5090FJ6TS	RCP,COMP,RCP,F,R32		1	-
19	DB90-03374P	ASSY CABI SIDE	N-V2MD,FIN-COND ; 7pi 2R	1	SA
19-1	DB90-07985A	ASSY COVER CONTROL	F-XS-01,COVER+PLATE	1	SA
19-1-1	DB63-01506B	COVER-CONTROL OUT	TSAR-PJT,PP,2.2,136.9,EARTH BROWN,MT72S	1	SA
20	DB96-22205B	ASSY COND BENDING	N_V2MD	1	SA
24	DB81-00635A	SPRING ETC-SENSOR	DVM-SYSTEM,STS304,R2.5,R4.5,44,0.3,2.0,NONE	2	SA
25	DB96-24872A	ASSY TUBE 4WAY	N-V2MD,20-RIH-2-R32,UB1AR5090,F&T 4-4-2,'3/8, sensor	1	SA
25-1	DB62-09654A	VALVE SERVICE-SPINDLE	FLARE,R410A,9.52	1	SA
25-2	DB67-60031A	SPRING-RUBBER	QMD,STS304,1.4mm,OD34.8,T1.4,RUST_RESISTING_PROCESS,AW	1	SA
25-3	DB67-70011A	WEIGHT-RUBBER	NR,BLACK	1	SA
25-4	DB96-06998F	ASSY-SOLENOID COIL	WW3,SSEC	1	SA
27	DB96-24881A	ASSY TUBE EEV	N-V2MD,F&T 4-4-2,1.3C,H/P	1	SA
27-1	DB62-09652A	VALVE SERVICE-SPINDLE	FLARE,R410A,6.35	1	SA
27-3	DB62-12213A	VALVE COIL EXPAN	DC12V,COIL,700,15.45,MOLDING	1	SA
28-1	DB67-01533A	RUBBER-LEG	All frame,NR,BLACK	4	SA
28-2	DB67-20011A	DRAIN-PLUG OUT	ASH-1814ER,PP,-,-,-,-,NATURAL,-,-,-,-	1	SA
31	DB94-06664A	ASSY PARTITION	ASSY PARTITION,For 7pi2row	1	SA
39	DB32-00257A	SENSOR TEMP	103AT,L700,10kohm	1	SA
41	6002-000481	SCREW-TAPPING	TH,+ ,NO,2S,M4.0,L12,NI PLT,SWRCH18A,ZnNi + TOP Coating	10	SA
42	DC61-60074A	HOLDER WIRE	PA,NATURAL,101F,rectangle	2	SA
43	DB63-03827A	COVER-VALVE	PP,T2,EARTH BROWN	1	SA