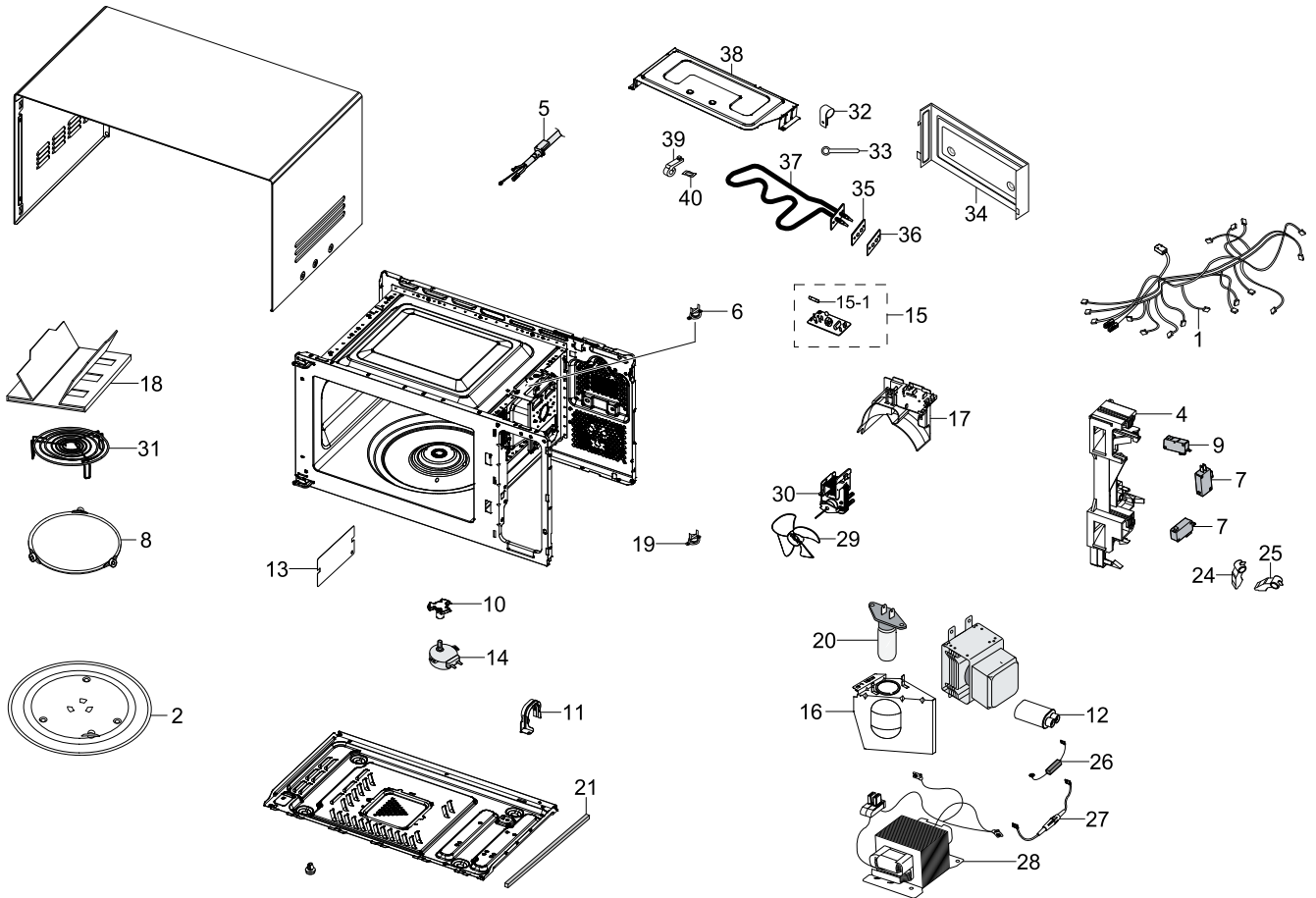


1. MG23F3K3TAS/BG

Exploded View



Parts List

| No. | Lvl. | Loc. | Material Code | Description & Specification | SNA | Qty. |
|-----|------|------|---------------|----------------------------------------------|-----|------|
| 1 | 2 | | DE96-00865D | ASSY WIRE HARNESS-MAIN; MG23K3515AS/EC,0. | SA | 1 |
| 2 | 2 | T001 | DE74-20102D | TRAY COOKING; G643C-1(3RD-0.6),GLASS,T6,- | SA | 1 |
| 4 | 2 | B077 | DE66-00231A | LATCH BODY; 0.8 CHIC,PP,WHITE,PP MU30HP(V | SA | 1 |
| 5 | 2 | M015 | DE96-00387B | CBF-POWER CORD; AT,ARGENTINA,AR3S-6,,BI | SA | 1 |
| 6 | 2 | M451 | DE47-20032B | THERMOSTAT; 125/250V,15/7.5A,85,75,NORMAL | SA | 1 |
| 7 | 2 | B048 | 3405-001034 | SWITCH-MICRO; 125/250VAC,16A,200gf,SPST-N | SA | 2 |
| 8 | 2 | F535 | DE97-00193D | ASSY GUIDE ROLLER; RE-C21AW,PPS,PTEF,15.5 | SA | 1 |
| 9 | 2 | B046 | 3405-001032 | SWITCH-MICRO; 125/250VAC,16A,200gf,SPDT,T | SA | 1 |

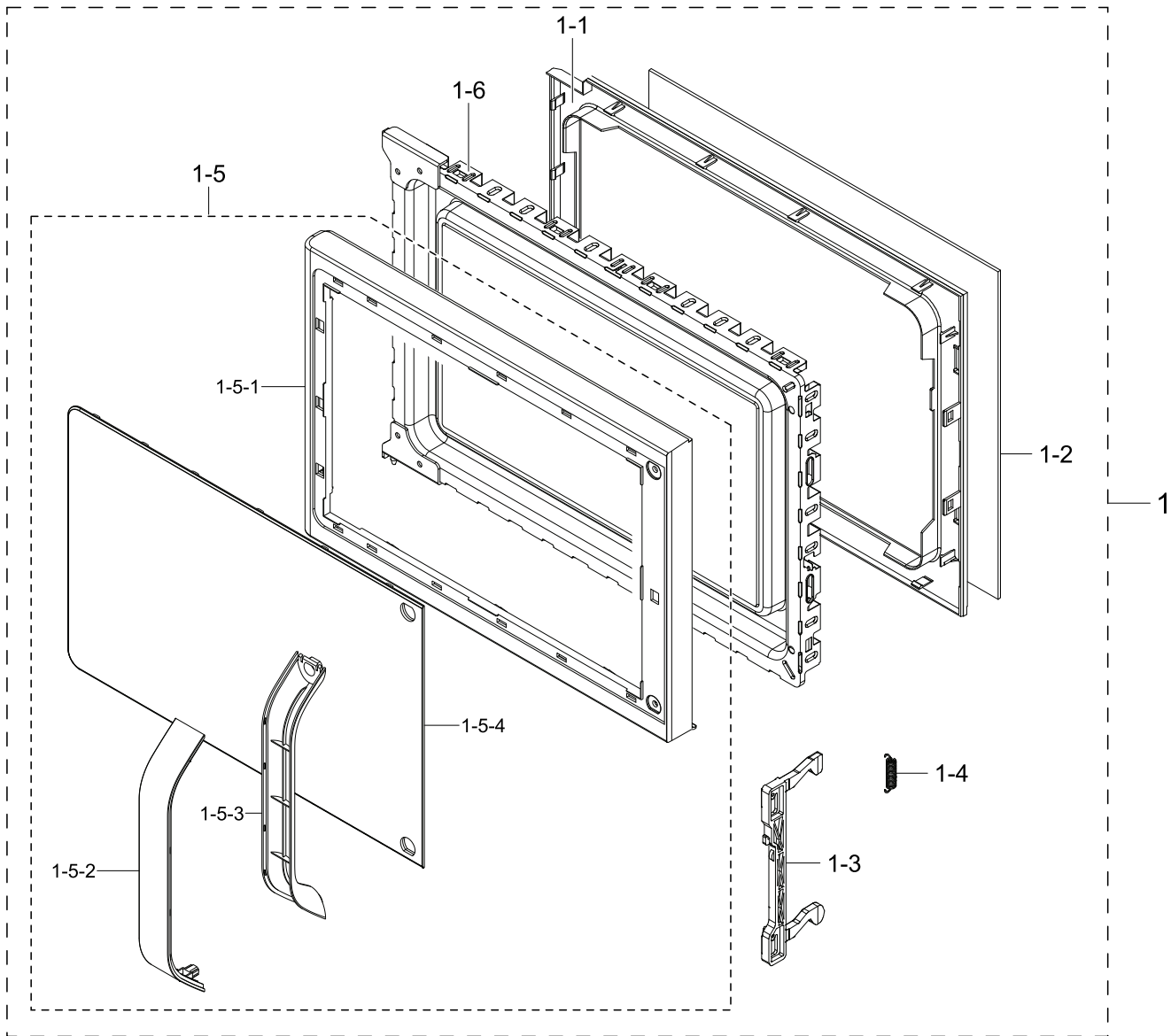
Exploded Views and Parts List

| No. | Lvl. | Loc. | Material Code | Description & Specification | SNA | Qty. |
|------|------|------|---------------|----------------------------------------------|-----|------|
| 10 | 2 | M034 | DE67-00272A | COUPLER; CE73JD,PPS,BROWN,XP2140C,GIANT,0 | SA | 1 |
| 11 | 2 | M040 | DE61-01263A | BRACKET-HVC; 0.7ECO PLATFORM,EGI-SECC,T0. | SA | 1 |
| 12 | 2 | M039 | 2501-001011 | C-OIL HIGH VOLTAGE; 910nF,2100V,BK,34x54x | SA | 1 |
| 13 | 2 | M051 | DE71-00159A | COVER-CEILING; CN2835,MICA SHEET,T0.3,W11 | SA | 1 |
| 14 | 2 | M049 | DE31-10154D | MOTOR AC DRIVE; 8Pole,21V,50/60Hz,200mA,3 | SA | 1 |
| 15 | 2 | M017 | DE96-00399A | ASSY NOISE FILTER; SN-UF11A,250V/15A,250V | SA | 1 |
| 15-1 | 3 | M019 | 3601-001197 | FUSE-CARTRIDGE; 250V,15A,SLOW-BLOW,CERAMI | SA | 1 |
| 16 | 2 | M037 | DE63-00651A | COVER AIR; 0.7ECO PLATFORM,GI-SGCC,T0.4 | SA | 1 |
| 17 | 2 | M022 | DE63-00641A | COVER BLOWER; 0.7ECO PLATFORM,PP,HB,NATUR | SA | 1 |
| 18 | 2 | | DE69-00191A | PAD-RACK; CE2877N,CB | SNA | 1 |
| 19 | 2 | M436 | DE47-20009A | THERMOSTAT; 125/250V,15/7.5A,150,60,NORMA | SA | 1 |
| 20 | 2 | M036 | 4713-001524 | LAMP-INCANDESCENT; 22x53,BK,20,230,CLEAR, | SA | 1 |
| 21 | 2 | P021 | DE63-00008J | CUSHION SPONGE; PU FOAM,PUT-FOAM,T4,W8,L1 | SNA | 1 |
| 24 | 2 | B010 | DE66-00093A | LEVER SWITCH-A; NC2000,PP,HT44,GRAY,HANDL | SA | 1 |
| 25 | 2 | B011 | DE66-00094A | LEVER SWITCH-B; NC2000,PP,TB53,NTR,HANDLE | SA | 1 |
| 26 | 2 | M527 | DE59-00002A | DIODE-H.V; MWO,2CL4512H/CL04-12A,500mA,12 | SA | 1 |
| 27 | 2 | M042 | DE91-70061C | ASSY H.V.FUSE; THV060T,5KV,700mA,SCREW,BL | SA | 1 |
| 28 | 2 | M038 | DE26-00144A | TRANS H.V; SHV-EURO4-1,230V,2370V/3.50V,A | SA | 1 |
| 29 | 2 | H018 | DE31-00063A | BLADE-FAN; 0.7ECO PLATFORM,PP,GREY | SA | 1 |
| 30 | 2 | M023 | DE31-10184J | MOTOR AC FAN; SMF-E73A,2,230V,50Hz,20W,25 | SA | 1 |
| 31 | 2 | T030 | DE74-70071D | RACK WIRE; 0.7/NC2000,MSWR-SWRM,PI3,D230, | SA | 1 |
| 32 | 2 | M483 | DE65-20014A | CABLE CLAMP; NY-66,DA-6N | SNA | 1 |
| 33 | 2 | M480 | 6502-001085 | CABLE CLAMP; DALC-4,ID5.3,T0.5,GA-SGCC,BL | SNA | 1 |
| 34 | 2 | P186 | DE63-00678A | COVER BACK; 0.8 chic,EGI-SECC,T0.4,GRILL | SNA | 1 |
| 35 | 2 | M008 | DE63-00049B | GASKET-HEATER; BRASS,T1.0,NATURAL | SNA | 1 |
| 36 | 2 | M012 | DE61-01529A | BRACKET HEATER; 1.1 CELLO,EGI-SECC,T0.8 | SNA | 1 |
| 37 | 2 | H061 | DE47-00016A | HEATER SHEATH-GRILL; AC230V,BKT,1100W(108 | SA | 1 |

| No. | Lvl. | Loc. | Material Code | Description & Specification | SNA | Qty. |
|-----|------|------|---------------|----------------------------------------------|-----|------|
| 38 | 2 | M003 | DE61-01318A | BRACKET-UPPER(GRILL); 0.8 Chic,EGI-SECC,T | SA | 1 |
| 39 | 2 | M535 | DE61-30008A | SUPPORT HEATER; GE87H/BAL,ALUMINA,T12,W11 | SNA | 1 |
| 40 | 2 | M005 | DE61-70060A | SPRING-PLATE; SK5,T0.5 | SNA | 1 |

2. Assy Door

Exploded View



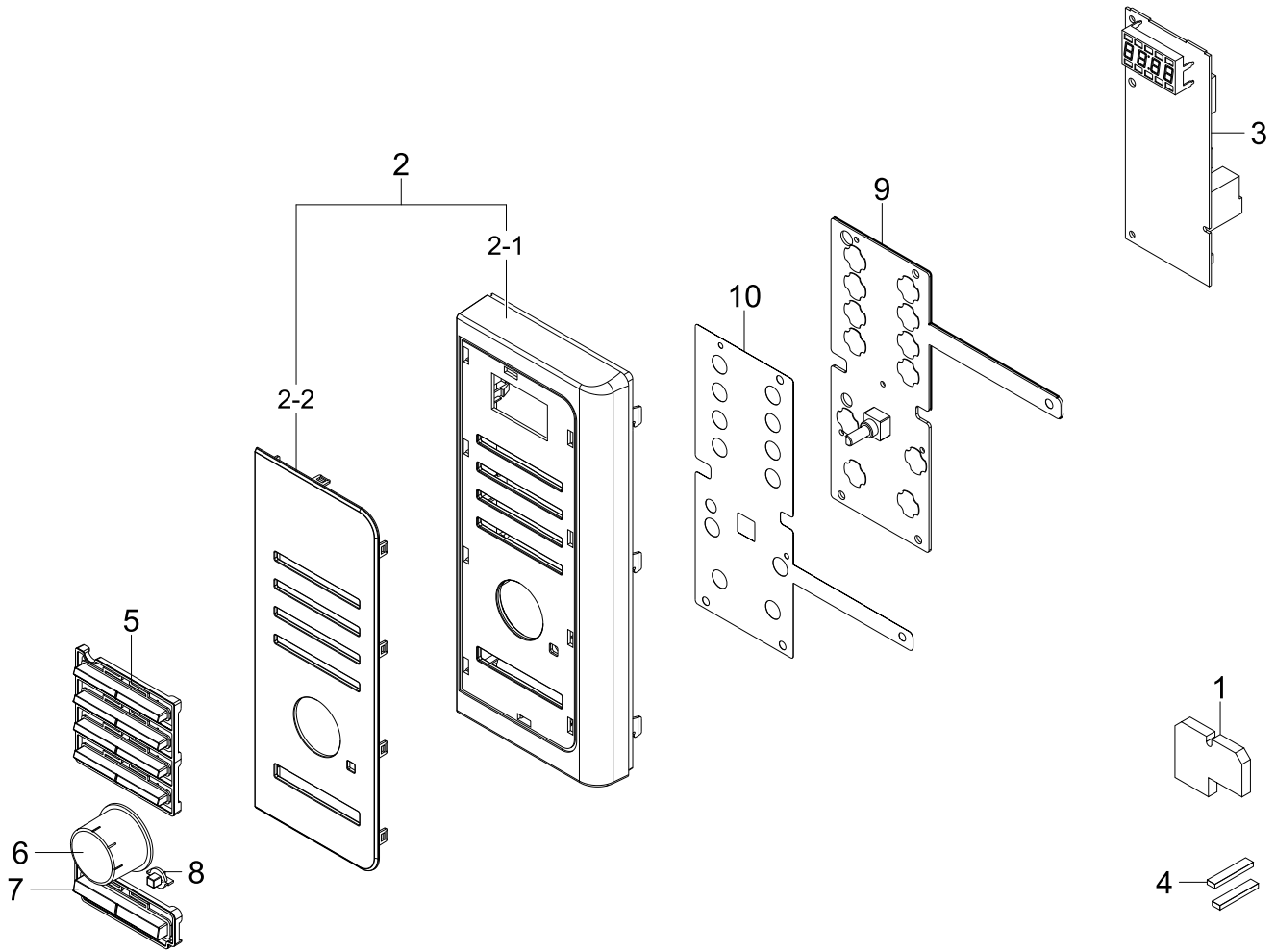
Parts List

| No. | Lvl. | Loc. | Material Code | Description & Specification | SNA | Qty. |
|-----|------|------|---------------|-------------------------------------------|-----|------|
| 1 | 2 | D049 | DE94-03050B | ASSY DOOR; MG23F301EJS/EF,NEO SILVER,MUSE | SA | 1 |
| 1-1 | 3 | D006 | DE64-02354A | DOOR C; 0.7ECO PLATFORM,PP,-,HB,T332,BLAC | SNA | 1 |
| 1-2 | 3 | D005 | DE64-00221E | FILM DOOR; -,CE2877N,PET,T0.15,W143,L264, | SNA | 1 |
| 1-3 | 3 | D011 | DE64-02430A | DOOR-KEY; 0.8 Chic,POM,BLACK,Chic project | SA | 1 |
| 1-4 | 3 | D007 | DE61-00193A | SPRING-KEY; MW1255,HSWR-SWRH,PI0.6,D5.5,L | SNA | 1 |

| No. | Lvl. | Loc. | Material Code | Description & Specification | SNA | Qty. |
|-------|------|------|---------------|-------------------------------------------|-----|------|
| 1-5 | 3 | D037 | DE94-03052B | ASSY DOOR A; MS23F301EFS/EF,NEO SILVER,MU | SA | 1 |
| 1-5-1 | 4 | D002 | DE64-02728C | DOOR A; 0.8 MUSE3,ABS,T2.0,W380,L26.5,HB, | SNA | 1 |
| 1-5-2 | 4 | D147 | DE63-00766A | COVER HANDLE; 0.8 MUSE3,ABS,T2.3,-,GE BLA | SNA | 1 |
| 1-5-3 | 4 | D019 | DE64-02729A | HANDLE DOOR; 0.8 MUSE3,ABS,T2.3,W30.3,L22 | SNA | 1 |
| 1-5-4 | 4 | D003 | DE64-02740A | SCREEN DOOR; 0.8 MUSE3,SAN,T2.3,W368,HB,C | SNA | 1 |
| 1-6 | 3 | D004 | DE94-02262C | ASSY DOOR E-COATING; MW73B/XEF,EGI-SECC T | SA | 1 |

3. Assy Control Box

Exploded View



Parts List

| No. | Lvl. | Loc. | Material Code | Description & Specification | SNA | Qty. |
|-----|------|------|---------------|----------------------------------------------|-----|------|
| 1 | 2 | C058 | DE63-00302A | CUSHION-PCB; PU FOAM,T5.0,W102,L78,BLACK, | SNA | 1 |
| 2 | 2 | C001 | DE94-03712A | ASSY CONTROL PANEL; MG23F3K3TAS/BG,SILVER | SNA | 1 |
| 2-1 | 3 | C005 | DE64-02731B | CONTROL PANEL; 0.8 MUSE3,ABS,W105.2,L260. | SA | 1 |
| 2-2 | 3 | | DE63-00767D | COVER PANEL; MG23F302TJS/EF, 0.8 MUSE3,SA | SNA | 1 |
| 3 | 2 | F316 | DE92-03487G | ASSY PCB MAIN; MG23F302TJS/EF,RCS-SMS3L-2 | SA | 1 |
| 4 | 2 | M126 | DE63-90064B | CUSHION; PU FOAM,T5X10X50 | SNA | 2 |
| 5 | 2 | | DE64-02732A | BUTTON SELECT-A; 0.8 MUSE3,ABS,GE BLACK,T | SA | 1 |

| No. | Lvl. | Loc. | Material Code | Description & Specification | SNA | Qty. |
|-----|------|------|---------------|----------------------------------------------|-----|------|
| 6 | 2 | | DE64-02710A | KNOB DIAL; 1.1 CELLO,ABS,HB,GE BLACK,META | SA | 1 |
| 7 | 2 | | DE64-02691B | BUTTON SELECT-B; MC32F606T(1.1CELLO),ABS, | SA | 1 |
| 8 | 2 | C035 | DE64-02709A | BUTTON-CLOCK; MC32F604T,ABS,HB,GE BLACK | SA | 1 |
| 9 | 2 | C084 | DE96-01021A | ASSY KEY MODULE; MG23F302TAS,DKM-MS23T-00 | SA | 1 |
| 10 | 2 | C107 | DE01-00286A | FILM BOARD; MUSE3 TACT,AL,T0.12,W74,L182, | SNA | 1 |