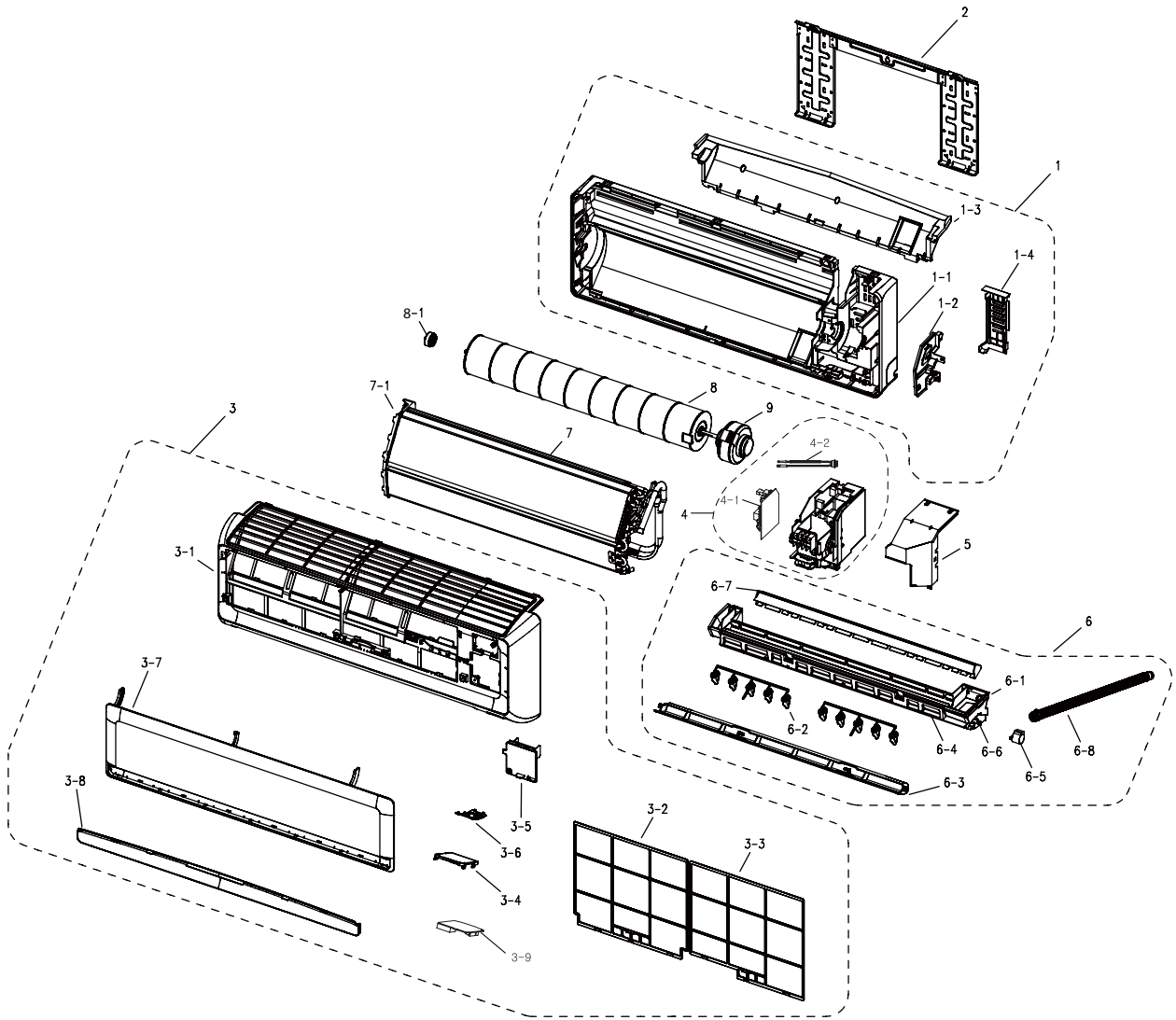


# 5. Exploded Views and Parts List

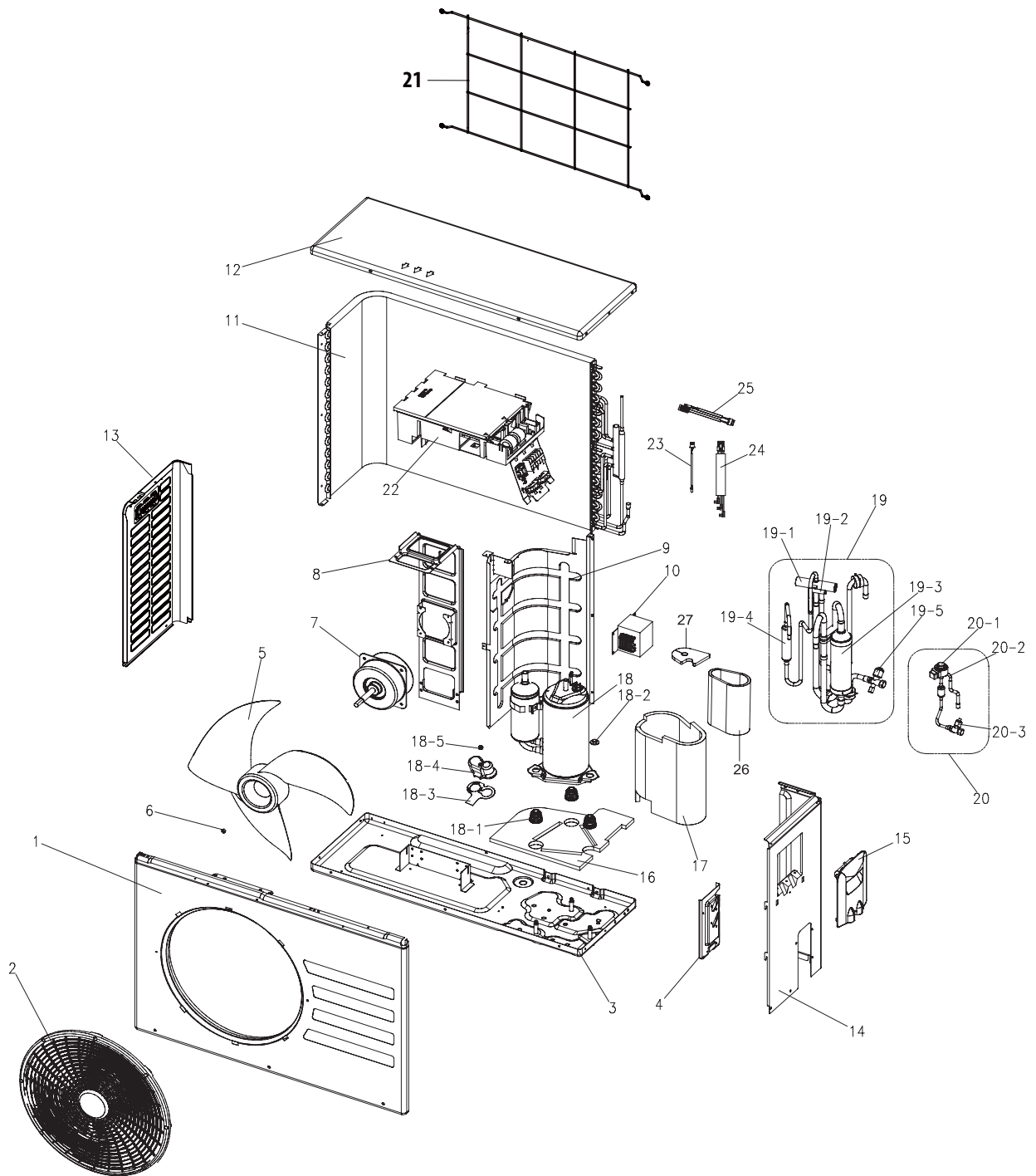
## 5-1 Indoor Unit



### ■ Parts List

No.	Code No.	Description	Specification	QTY		SA/SNA
				AQV18UGAN	AQV24UGAN	
1	DB94-00615C	ASSY BACK BODY	ASSY	1	1	SA
1-1	DB61-01974C	BODY BACK	HIPS	1	1	SA
1-2	DB96-03817A	SUPPORT-EVAP RH	HIPS	1	1	SA
1-3	DB69-01039A	SEAL-INSUL BODY REAR	EPS(30)	1	1	SA
1-4	DB61-01981C	HOLDER-PIPE	HIPS	1	1	SA
2	DB90-02738A	ASSY-PLATE HANGER	SGCC-M, T0.7	1	1	SA
3	DB92-01402H	ASSY PANEL FRONT	ASSY	1	1	SA
3-1	DB64-02128A	PANEL FRONT	HIPS	1	1	SA
3-2	DB63-02129A	FILTER-PRE L	PP	1	1	SA
3-3	DB63-02130A	FILTER-PRE R	PP	1	1	SA
3-4	DB90-04375A	ASSY CASE-PCB	ASSY	1	1	SA
3-5	DB97-11889A	ASSY COVER TERMINAL	ASSY	1	1	SA
3-6	DB90-04301C	ASSY COVER DISPLAY	ASSY	1	1	SA
3-7	DB64-02131A	GRILLE-AIR INLET	HIPS	1	1	SA
3-8	DB64-02132B	DECO-GRILLE	HIPS	1	1	SA
3-9	DB93-06984C	ASSY-DISPLAY	ASSY	1	1	SA
4	DB93-06998A	ASSY CONTROL IN	ASSY	1	1	SA
4-1	DB93-07499A	ASSY PCB MAIN	ASSY	1	1	SA
4-2	DB95-01113F	ASSY THERMISTOR	ASSY	1	1	SA
5	DB90-04703A	ASSY COVER CONTROL IN	T0.5	1	1	SA
6	DB94-01925A	ASSY TRAY DRAIN	ASSY	1	1	SA
6-1	DB63-01071A	TRAY DRAIN	ABS	1	1	SA
6-2	DB61-03660A	BLADE-V	PP	2	2	SA
6-3	DB61-03661A	BLADE-H	ABS	1	1	SA
6-4	DB62-05903A	INSULATION-TRAY FR	EPS(40)	1	1	SA
6-5	DB31-00370A	MOTOR STEP	DC12V,600gf.cm	1	1	SA
6-6	DB62-02941A	CUSHION-TRAY RH	EPS(30)	1	1	SA
6-7	DB63-01066A	TRAY-STABILIZER	HIPS	1	1	SA
6-8	DB94-00458D	ASSY DRAIN-HOSE	ASSY	1	1	SA
7	DB96-11950B	ASSY EVAP TOTAL	ASSY	1	-	SA
	DB96-11950A	ASSY EVAP TOTAL	ASSY	-	1	SA
7-1	DB63-01065A	HOLDER-EVAP	HIPS	1	1	SA
8	DB94-01556B	ASSY-CROSS FAN	ASSY ; AS +GF20%	1	1	SA
8-1	DB94-00455B	ASSY RUBBER BEARING	ASSY	1	1	SA
9	DB31-00533A	MOTOR FAN	-	1	1	SA

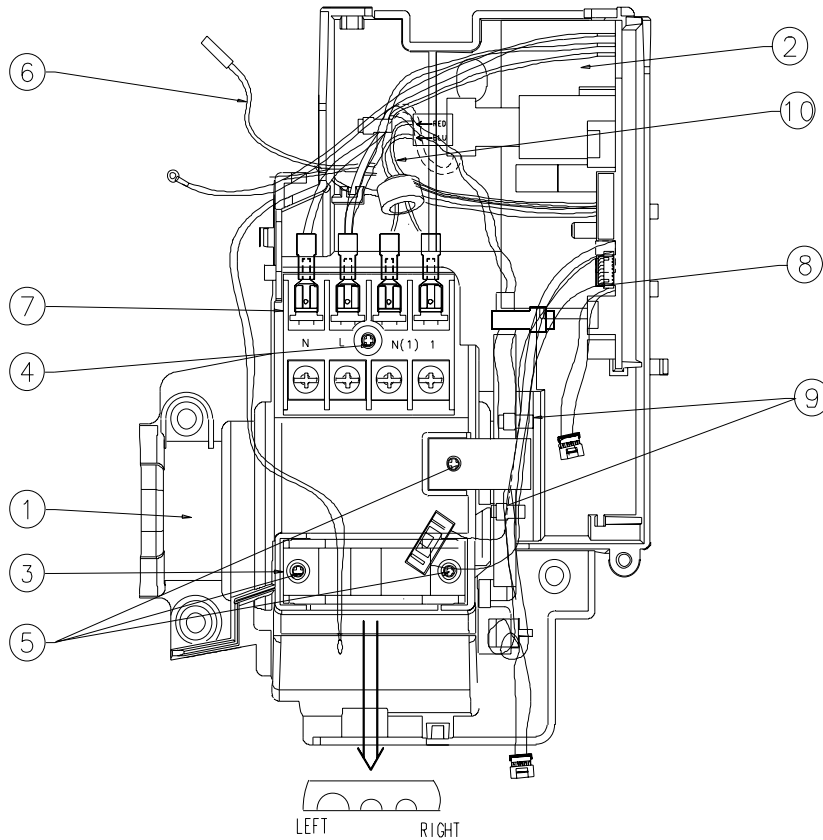
## 5-2 Outdoor Unit



### Parts List

No.	Code No.	Description	Specification	Q'TY		SA/SNA
				AQV18UGAX	AQV24UGAX	
1	DB90-03914F	ASS'Y CABI FRONT	ASS'Y, SC-94445T	1	1	SA
2	DB63-00838A	GUARD FAN	HIPS, SC-90073R	1	1	SA
3	DB90-00970W	ASS'Y BASE OUT	ASS'Y, SC-94445T	1	-	SA
	DB90-00970V	ASS'Y BASE OUT	ASS'Y, SC-94445T	-	1	SA
4	DB61-01593A	BRACKET VALVE	SECC-P, SC-94445T	1	1	SA
5	DB67-00142A	FAN-PROPELLER	AS+G/F20%, Φ420	1	1	SA
6	DB60-30020A	SCREW-MACHINE	M6	1	1	SA
7	DB31-00492A	MOTOR FAN OUT	AC Motor	1	-	SA
	DB31-00264D	MOTOR FAN OUT	AC Motor	-	1	SA
8	DB61-00686A	BRACKET MOTOR	SGCC-M	1	1	SA
9	DB94-01210D	ASS'Y PARTITION	ASS'Y, SGCC-M	1	1	SA
10	DB27-00042A	REACTOR	PPS, 15A	1	-	SA
	DB27-00043A	REACTOR	PPS, 20A	-	1	SA
11	DB96-04087E	ASS Y COND UNIT	ASS Y	1	-	SA
	DB96-11900B	ASS'Y COND UNIT	ASS'Y	-	1	SA
12	DB90-10616G	ASS'Y CABI UP	ASS'Y, SC-94445T	1	1	SA
13	DB90-01351A	ASSY CABINET SIDE LF	ASSY, SC-94445T	1	1	SA
14	DB90-01651E	ASS'Y CABINET SIDE RH	ASS'Y, SC-94445T	1	1	SA
15	DB90-03305B	ASSY COVER CONTROL	ABS, SC-90073R	1	1	SA
16	DB63-01718A	FELT COMP BASE	FELT+PVC Sheet	1	-	SA
	DB63-01719A	FELT COMP BASE	FELT+PVC Sheet	-	1	SA
17	DB63-02343A	FELT COMP SIDE	FELT+PVC Sheet	1	-	SA
	DB63-01668A	FELT COMP SIDE	FELT+PVC Sheet	-	1	SA
18	G4T150FUAEQ	COMPRESSOR	ROTARY, BLDC	1	-	SA
	G8T260FUAEW	COMPRESSOR	ROTARY, BLDC	-	1	SA
18-1	DB63-02296A	GROMMET ISOLATOR	NR	3	-	SA
	DB63-02297A	GROMMET ISOLATOR	NR	-	3	SA
18-2	DB60-30028A	SCREW HEX	M8	3	3	SNA
18-3	DB63-00817A	GASKET	EPDM	1	1	SNA
18-4	DB63-02310A	COVER TERMINAL	PBT (G/F 15%)	1	1	SNA
18-5	6021-001142	SCREW MACHINE	M5	1	1	SNA
19	DB96-11299A	ASS'Y VALVE 4WAY	ASS'Y	1	-	SA
	DB96-08939C			-	1	
19-1	DB62-02338A	4WAY VALVE	R410A, SANHUA	1	1	SNA
19-2	DB33-00002C	SOLENOID COIL	ASS'Y	1	1	SNA
19-3	DB67-00765A	ACCUMULATOR	STEEL ACCUM.	-	1	SNA
19-4	DB97-02054A	TUBE MUFFLER	C1220T-0	1	1	SNA
19-5	DB62-02285A	VALVE SERVICE	R410A, SANHUA, 1/2"	1	-	SNA
	DB62-02342A		R410A, SANHUA, 5/8"	-	1	
20	DB99-01047A	ASS'Y VALVE EEV	ASSY	1	1	SA
20-1	DB62-05932B	VALVE EXPANSION COIL	FUJIKOKI	1	1	SNA
20-2	DB62-04065A	VALVE EXPANSION BODY	FUJIKOKI	1	1	SNA
20-3	DB62-02283A	VALVE SERVICE	R410A, SANHUA, 1/4"	1	1	SNA
21	DB64-02083A	SCREEN-COND BAR	P.E.H 100%	1	1	SA
22	DB93-07025H	ASS'Y CONTROL OUT	ASS'Y	1	-	SA
	DB93-07025J	ASS'Y CONTROL OUT	ASS'Y	-	1	SA
23	DB32-00176A	THERMISTOR OUT/DIS	ASS'Y	1	1	SA
24	DB32-00175A	THERMISTOR COND	ASS'Y	1	1	SA
25	DB93-07443A	CONNECT WIRE COMP	ASS'Y	1	1	SA
26	DB63-02344A	FELT COMP SIDE OUT	FELT+PVC Sheet	1	-	SA
	DB63-02024A	FELT COMP SIDE OUT	FELT+PVC Sheet	-	1	SA
27	DB63-02342A	FELT COMP TOP	FELT+PVC Sheet	1	-	SA
	DB63-02025A	FELT COMP TOP	FELT+PVC Sheet	-	1	SA

## 5-3 ASSY-CONTROL IN DB93-06998A



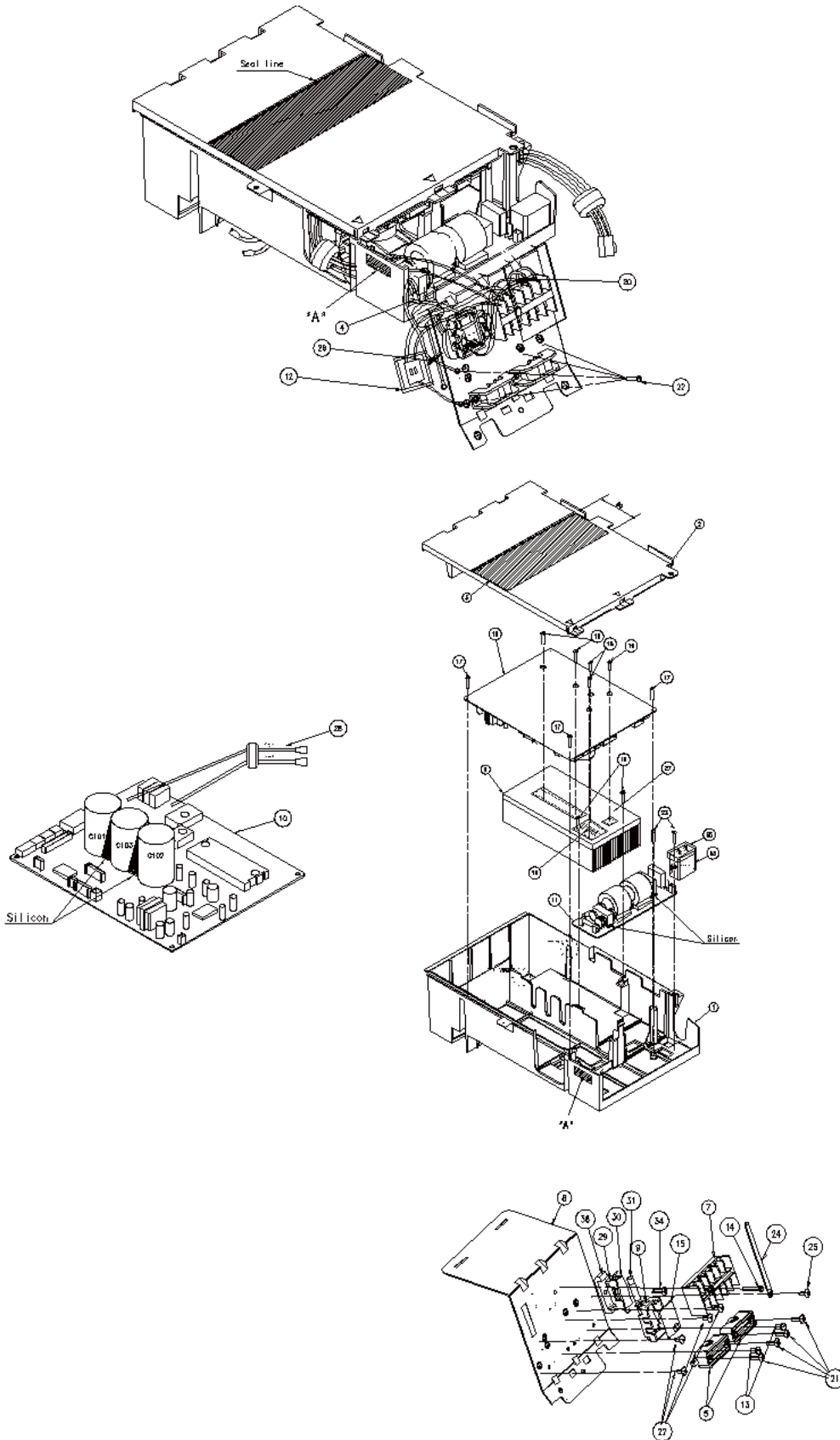
### PartList

No	CODE	NAME	SPEC	QUANTITY	SA/SNA
1	DB61-03662A	CASE CONTROL IN	VIVALDI	1	SNA
2	DB93-07499A	ASS'Y PCB MAIN	VIVALDI3 STD	1	SA
3	DB61-01097A	HOLDER WIRE CLAMP	ABS,-,-,-,BLK,V21-PJ	1	SNA
4	DB91-00309A	SCREW	PH M3*L25	1	SNA
5	DB97-02418A	SCREW	TH M4*L10	2	SNA
6	DB95-01113F	ASS'Y THERMISTOR	3%;;BLK;SMH200;WHT	1	SA
7	DB65-00004U	TERMINAL BLOCK	[1(L),2(N),F1,F2]	1	SNA
8	DB93-04688A	ASSY C/W LOUVER	5P	1	SNA
9	DB65-10088D	CABLE-TIE	NYLON66	2	SNA
10	DB93-07171A	C/W 485 COMM	RED/BLUE	1	SNA

# MEMO

# 5-4 Ass'y Control Out

- AQU18U\*\* : DB93-07025H
- AQU24U\*\* : DB93-07025J



 **Part List**

CODE	DESC_SPEC	VIVALDI 18K	VIVALDI 24K	SA/SNA
		DB93-07025H	DB93-07025J	
2301-001379	C-FILM,LEAD-OTHER	0	1	SNA
DB61-40239A	HOLDER-FUSE	1	1	SNA
DB61-02474A	HOLDER-FUSE CASE	1	1	SNA
3601-001159	FUSE-CARTRIDGE	1	0	SNA
3601-001381	FUSE-CARTRIDGE	0	1	SNA
6002-000231	SCREW-TAPPING	1	1	SNA
6002-000214	SCREW-TAPPING	4	4	SNA
6002-000536	SCREW-TAPPING	1	2	SNA
6002-000555	SCREW-TAPPING	1	1	SNA
6002-000630	SCREW	3	3	SNA
6001-001054	SCREW-MACHINE	2	2	SNA
6009-001001	SCREW	4	4	SNA
DB61-00206B	HOLDER-WIRE	1	1	SNA
DB61-00250A	HOLDER WIRE CLAMP	2	2	SNA
DB61-02973A	CASE CONTROL-BASE	1	1	SNA
DB61-02974A	CASE CONTROL-COVER	1	1	SNA
DB61-02975A	CASE-DISPLAY PCB	1	1	SNA
DB61-02977B	PLATE-CONTROL OUT	1	1	SNA
DB62-04566B	INSULATION-CONTROL BOX TOP	1	1	SNA
DB62-05315A	HEAT SINK	0	1	SNA
DB62-06103A	HEAT SINK	1	0	SA
DB62-05320A	ASSY-INSULATOR MICA	1	1	SNA
DB65-10088D	CABLE-TIE	2	1	SNA
DB73-00449A	RUBBER	0	1	SNA
DB91-00306A	ASSY-SCREW MACHINE	2	2	SNA
DB91-00307A	ASSY-SCREW MACHINE	5	5	SNA
DB93-07036A	ASSY CONNET WIRE-FUSE TO TERMINAL	1	1	SNA
DB93-04329A	ASSY PCB DISPLAY	1	1	SA
DB93-04334B	CONNECT WIRE	1	1	SNA
DB93-04337A	CONNECT WIRE	1	1	SNA
DB93-04908C	CONNECT WIRE	0	1	SNA
DB93-04908G	CONNECT WIRE	1	0	SNA
DB93-07112E	ASSY-PCB OUT	1	0	SA
DB93-07112F	ASSY-PCB OUT	0	1	SA
DB93-07054A	ASSY-PCB EMI	1	0	SA
DB93-07054B	ASSY-PCB EMI	0	1	SNA
DB95-01712E	ASSY NOISE ABSORBER	1	1	SA
DB95-01078F	ASSY-TERMINAL BLOCK	1	1	SNA
DB65-00228A	TERMINAL BLOCK	1	1	SNA
DB97-11259A	ASSY-SCREW	1	1	SNA
DB73-00471A	RUBBER-FUSE BLOCK	1	1	SNA
DB98-24813A	ASSY	0.002	0.002	SNA