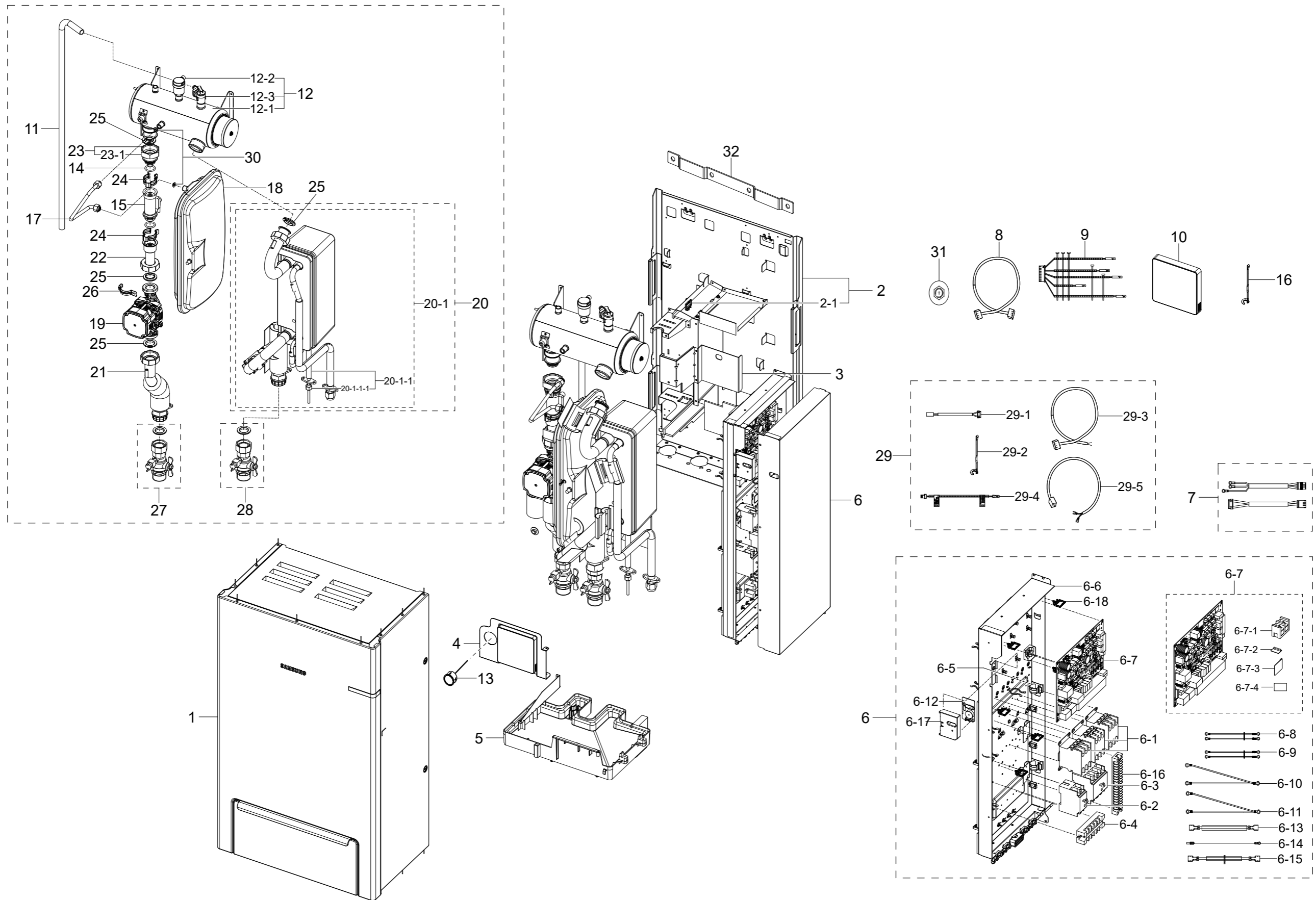


Exploded Views and Parts List

■ AE160ANYDGH/EU



Parts List : AE160ANYDGH/EU

No.	Code No.	Description	Specification	QT'Y	SA/SNA
1	DB90-05348B	ASSY CABI FRONT	ASSY	1	SA
2	DB90-05389D	ASSY CABI BASE	EHS HYDRO UNIT_R32	1	SA
2-1	DB71-00133A	WIRE-SADDLE	DVM PLUS 3,NYLON 66	1	SA
3	DB90-05722A	ASSY BRACKET-PHE	EHS2,ASSY	1	SA
4	DB90-05747A	ASSY BRACKET	EHS2,ASSY	1	SA
5	DB91-01070A	ASSY DRAIN PAN	NH160PHXEA,ASSY	1	SA
6	DB92-04831B	ASSY PBA KIT-IN MODULE	ASSY PBA KIT-IN M	1	SA
6-1	DB35-00044A	RELAY-ETC	XMC0-253IBBC00F,208-220V 50Hz,	3	SA
6-2	DB35-00109A	RELAY-ELCB	SG-52NH,220~240V 50/60Hz,2P,2	1	SA
6-3	DB35-00121A	RELAY	SG-54NH,380~460V 50/60Hz,4P,380V,4	1	SA
6-4	DB37-00035A	TERMINAL BLOCK	DATB S30A-6P-M,MELAMINE,6	1	SA
6-5	DB61-00996A	HOLDER-LOCK CLAMP A	W-P/J,PA,-,-,-,-,NAT	2	SC
6-6	DB90-11459A	ASSY CASE CONTROL	EHS HYDRO UNIT_R32	1	SNA
6-7	DB92-04743E	ASSY PCB MAIN	MAIN PBA,EHS SPLIT,242X194	1	SA
6-7-1	DB37-00026A	TERMINAL BLOCK	DAPC 3013-2P-M,MELAMINE,3	2	SA
6-7-2	DB92-02793A	ASSY FUNCTION	COMM,DVM NASA_CST,Y	1	SA
6-7-3	DB93-12483A	ASSY PCB SUB-EEPROM	SUB,DVMPPLUS4 UP,20*2	1	SA
6-7-4	DB94-08645A	ASSY PCB AUTO	MAIN PBA,EHS SPLIT,242X194	1	SA
6-8	DB93-08790A	ASSY CONNECTOR WIRE	2,1015,12,SKY,DR3.5-	2	SA
6-9	DB93-08790C	ASSY CONNECTOR WIRE	2,1015,12,SKY,DR3.5-	2	SA
6-10	DB93-08793A	ASSY CONNECTOR WIRE-POWER	2,1015,14,BRN,	1	SA
6-11	DB93-08793B	ASSY CONNECTOR WIRE-POWER	2,1015,14,SKY,	1	SA
6-12	DB93-08868A	ASSY PCB SUB-DISPLAY	SUB,NH160PHXEA,70*3	1	SA
6-13	DB93-08924R	ASSY CONNECTOR WIRE-CLIP	1,1015,18,BRN,S	1	SA
6-14	DB93-10835C	ASSY CONNECTOR WIRE-EARTH	1,1015,18,YEL/	1	SA
6-15	DB93-17092A	ASSY CONNECTOR WIRE-POWER	1,1015,18,SKY,	2	SA
6-16	DB93-17094B	ASSY CONNECTOR WIRE-TERMINAL BLOCK	20,20	1	SA
6-17	DB63-03705A	COVER PCB-DISPLAY	EHS SPLIT,ABS,5VA,NATU	1	SNA
6-18	DB71-00133A	WIRE-SADDLE	DVM PLUS 3,NYLON 66	6	SA
7	DB93-08986A	ASSY CONNECTOR WIRE-DISPLAY	7,1007,26,RE	1	SNA
8	DB93-15534A	ASSY CONNECTOR WIRE-COMM	2,2095,22,RED,Y	1	SA
9	DB95-04324D	SENSOR TEMP	EHS HYDRO UNIT R32,L1200,10k	1	SA
10	DB96-24536D	ASSY WIRED REMOCON	MWR-WW10N,EHS NS Wire	1	SA
11	DB67-01048A	DRAIN-HOSE	EHS2,EPDM,T2.2,BLACK	1	SA
12	DB95-05828A	ASSY HEATER PARTS	3P,1PH 230VAC,62	1	SNA
12-1	DB47-00087A	HEATER SHEATH	AC400V,6000W,INCOLOY800,22	1	SNA
12-2	DB96-13493B	ASSY VALVE	BSPP3/8",	1	SA
12-3	DB96-13494B	ASSY VALVE	PF 1/2", 2.9bar	1	SA
13	DB96-13830A	ASSY-MANOMETER	0~4MPa,BOURDON,G1/4B,STRE	1	SA
14	6044-002510	RING-O	ID25.3,T3.9,HNBR	1	SNA
15	DB32-00264A	SENSOR PRESSURE	FLOW,5V,1.0MPa	1	SA
16	DB81-00635A	SPRING ETC-SENSOR	DVM-SYSTEM,STS304,R2.5	5	SA
17	DB96-13458A	ASSY TUBE-EXPANSION TANK	NH160PHXEA,ASSY	1	SA
18	DB96-13802A	ASSY-EXPANSION VESSEL	PURE WATER,G3/8",A	1	SA
19	DB96-21145A	ASSY WATER PUMP	HEAD 9.0M,RS25-9,230V, 5	1	SA
20	DB96-25612A	ASSY TUBE COND-WATER	EHS SPLIT_R410A	1	SNA
20-1	DB96-17912A	ASSY-PHE TUBE 72H	EHS GEN4 SPLIT 16KW,AS	1	SA

No.	Code No.	Description	Specification	QT'Y	SA/SNA
20-1-1	DB96-17921A	ASSY TUBE-PEF IN 3/8	EHS GEN4,ASSY TUBE	1	SNA
20-1-1-1	DB60-30010B	FASTENER-NUT FLARE	AR12RV3HEWKXNA,BRASS	1	SA
21	DB96-24817A	ASSY TUBE WATER-OUT	EHS HYDRO UNIT_R32	1	SA
22	DB96-24818A	ASSY TUBE CONNECTOR	EHS HYDRO UNIT_R32	1	SA
23	DB96-24819A	ASSY TUBE CONNECTOR-OUT	EHS HYDRO UNIT_R	1	SA
23-1	DB67-01709A	NIPPLE	EHS HYDRO UNIT_R32,Cu	1	SNA
24	DB60-00565A	FASTENER-ETC	EHS TANK,STS304,NATURAL,SUS	2	SNA
25	DB73-00560A	RUBBER-PACKING ID30	NH160PHXEA,EPDM	4	SNA
26	DB61-04338A	BRACKET-PUMP B	NH160PHEA,GI-SGCC,1.0,SSE	1	SNA
27	DB96-13833A	ASSY-SERVICE VALVE	RIGHT TYPE,PF 1-1/4",	1	SA
28	DB96-13833B	ASSY-SERVICE VALVE	LEFT TYPE,PF 1-1/4",P	1	SA
29	DB97-32502A	ASSY ACCESSORY	EHS HYDRO UNIT_R32	1	SNA
29-1	DB32-00213A	SENSOR TEMP	103AT,MIXING_VALVE,15000	1	SA
29-2	DB81-00635A	SPRING ETC-SENSOR	DVM-SYSTEM,STS304,R2.5	3	SA
29-3	DB93-13255A	ASSY CONNECTOR WIRE	2,2464,24,BLK,SMH250	1	SA
29-4	DB95-04396A	ASSY THERMISTOR-EVA OUT	103AT,AC,-,-,-,-	2	SA
29-5	DB95-05023A	ASSY THERMISTOR-WATER TANK	204CTB,250,L1	1	SA
30	DB73-00559A	RUBBER-PACKING ID8	NH160PHXEA,EPDM	2	SA
31	DB60-30028A	NUT-FLANGE	HWH,M8,ZPC(WHT),SWRCH18A,P1.2	1	SA
32	DB61-04402A	BRACKET-WALL MOUNT	NH160PHXEA,SGCC-M,3.0	1	SA