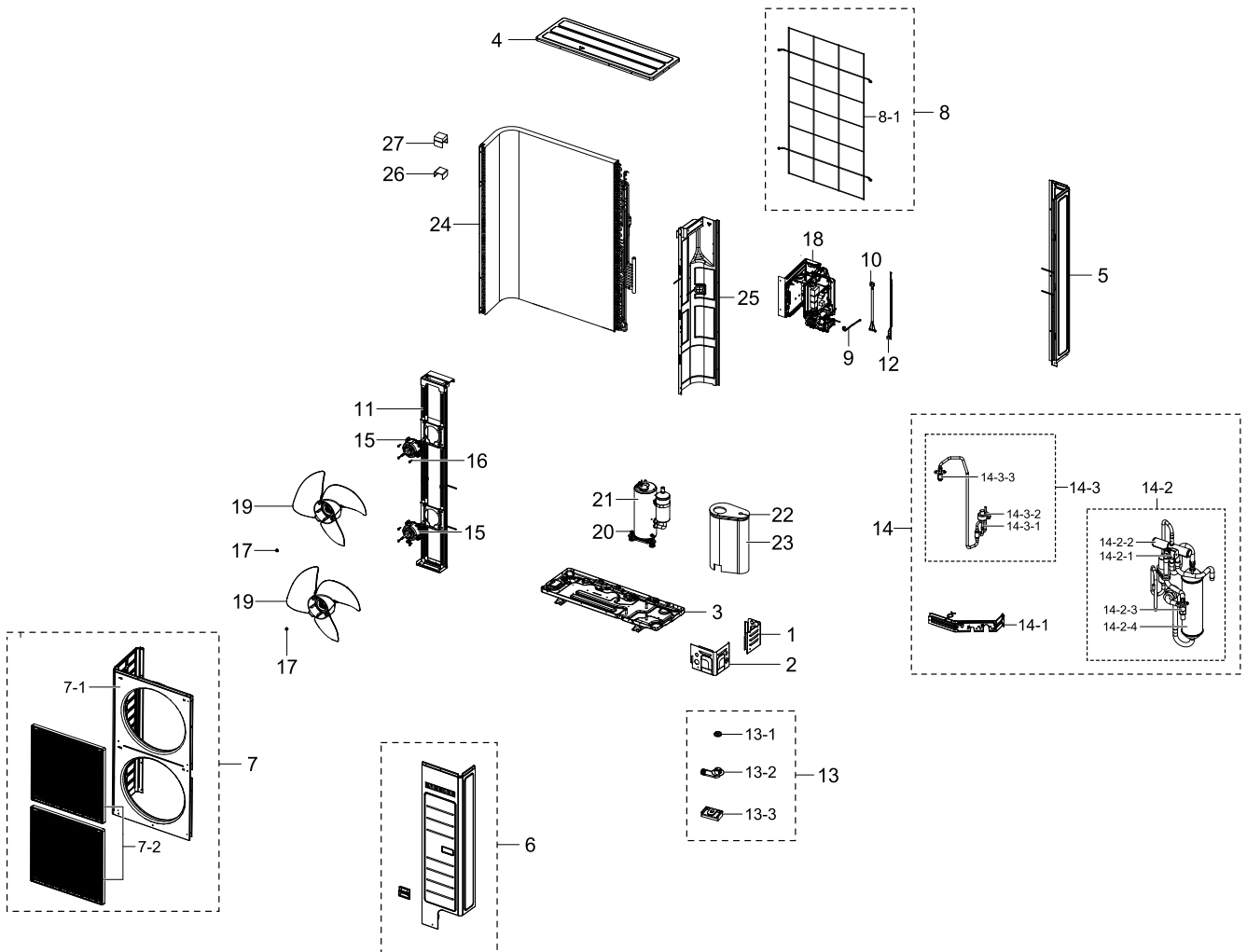


1. AC140MXADKH/EU

Exploded View



Parts List

No.	Lvl.	Loc.	Material Code	Description & Specification	SNA	Qty.
1	2		DB64-02525C	CABINET-INSTALL BACK; RC160MHXEA,EGI-SECC	SA	1
2	2		DB64-02526C	CABINET-INSTALL FRONT; RC100PHXEA,EGI-SEC	SA	1
3	2	A0092	DB90-05873B	ASSY BASE OUT; MAN-U,SEAL-ADD	SA	1
4	2	A0212	DB90-05902E	ASSY CABINET-TOP; RC090MHXEA,EHS MONO	SA	1
5	2	A2609	DB90-05876G	ASSY CABI BACK-RH; AC048KXADGC/TL,UB2	SA	1
6	2		DB90-05877E	ASSY CABI FRONT-RIGHT; AM053FXMDCH/AA,DVM	SA	1
7	2	A2620	DB90-05878B	ASSY CABI FRONT-LF; RC100PHXEA,ManU,EARTH	SA	1

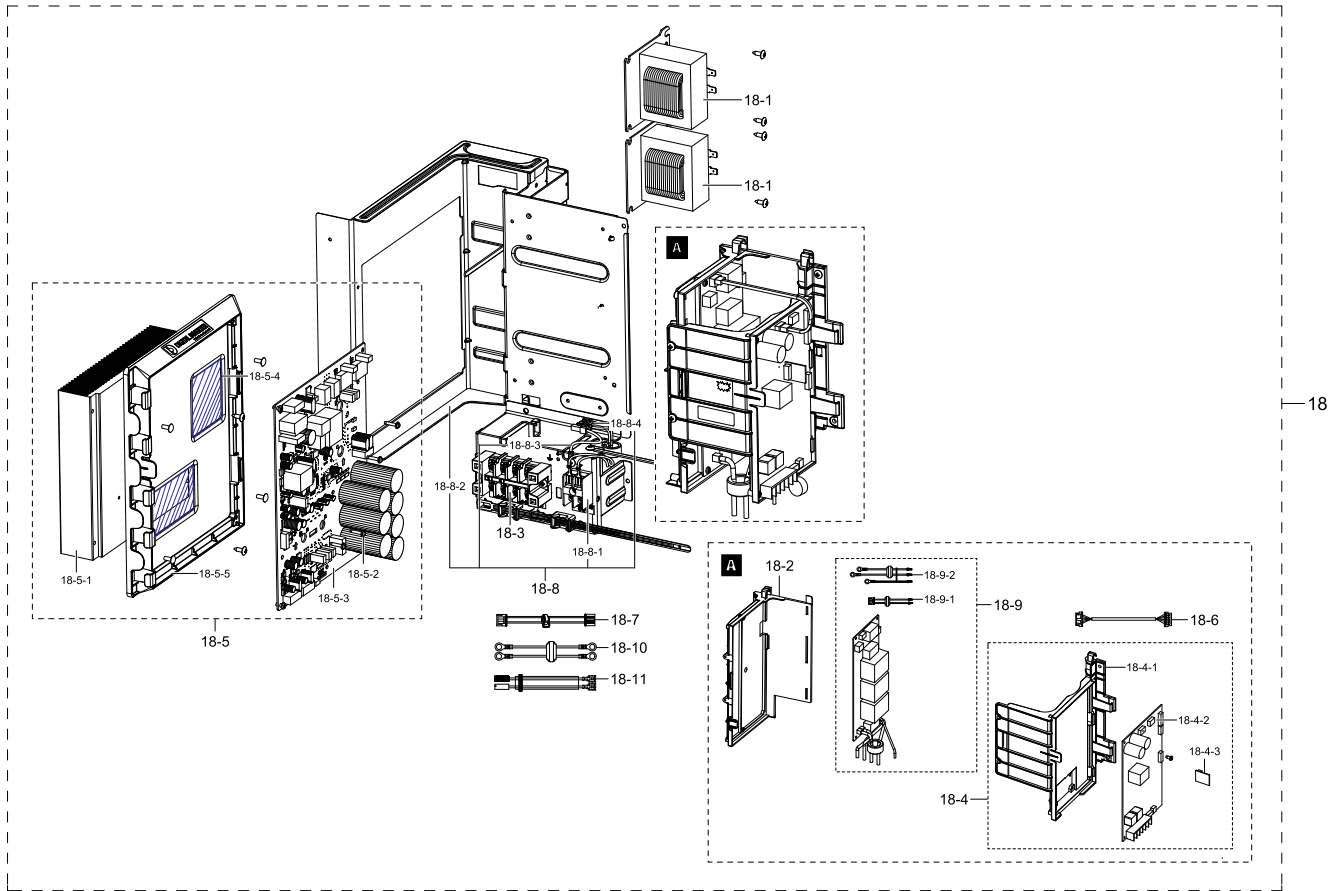
Exploded Views and Parts List

No.	Lvl.	Loc.	Material Code	Description & Specification	SNA	Qty.
7-1	3		DB64-02522B	CABINET FRONT-LF; RC100PHXEA,EGI-SECC,T0.	SNA	1
7-2	3		DB63-02696B	GUARD-FAN; RC100PHXEA,PP,EARTH BROWN	SA	2
8	2		DB90-08318D	ASSY GUARD-COND; UB2 for CAC	SNA	1
8-1	3		DB63-02706D	GUARD COND; RC100ZHXE,MSWR-SWRM,741,1064	SA	1
9	2	S0242	DB81-00635A	SPRING ETC-SENSOR; DVM-SYSTEM,STS304,R2.5	SA	2
10	2	A0630	DB93-08235G	ASSY CONNECTOR WIRE-COMP; 3,3343,12,RED,H	SA	1
11	2	A2803	DB90-05875B	ASSY BRACKET MOTOR; RC100PHXEA,R410A	SA	1
12	2		DB32-00199A	SENSOR TEMP; DK Sensor,CAC NASA SAUDI,0	SA	1
13	2		DB98-35035A	ASSY PACKING ACCESSORY; AM040HXMFGH/ID,DV	SNA	1
13-1	3	Z0165	DB63-10355C	CAP-DRAIN; CR,T2,BLACK,ASH-1814ER	SA	3
13-2	3	D0116	DB67-00806A	DRAIN-PLUG OUT; UH140GAV,PE,WHITE,ME8000	SA	1
13-3	3	Z0166	DB73-20134A	RUBBER-LEG; V2-MD,NR,55	SA	4
14	2		DB96-14898B	ASSY VALVE; AC140KXADGH/EU	SNA	1
14-1	3		DB90-05874C	ASSY BRACKET-VALVE; RC100DHXEA,T1.2, UB	SA	1
14-2	3		DB96-14488E	ASSY TUBE 4WAY; AC140KXADGH/EU,UB2	SA	1
14-2-1	4	S0247	DB33-00002J	SOLENOID-COIL ASSY; 220V,2,YEL	SA	1
14-2-2	4	V0010	DB62-02834A	VALVE 4WAY; .,-,Common,5	SA	1
14-2-3	4	Z0161	DB62-09658A	VALVE SERVICE-SPINDLE; .,5/8",R410A, FLAR	SA	1
14-2-4	4	A0316	DB96-14716A	ASSY-ACCUMULATOR; RC100PHXEA,1600CC	SA	1
14-3	3		DB96-14510B	ASSY TUBE EEV; AEX160EDBHA1,EHS HT, UB2	SA	1
14-3-1	4	V0001	DB62-04421A	VALVE EXPAN; SUS,2.4,500	SA	1
14-3-2	4	V0048	DB62-11206A	VALVE COIL EXPAN; DC12V,COIL,1000,18.95,M	SA	1
14-3-3	4	Z0163	DB62-09654A	VALVE SERVICE-SPINDLE; FLARE,R410A,9.52	SA	1
15	2	M0039	DB31-00579A	MOTOR FAN; 125W,DC310V,CLASS E	SA	2
16	2		DB60-00150A	SCREW-SPECIAL; HWH,M4,L26,ZPC(WHT),SWRCH1	SA	8
17	2		DB60-00405A	FASTENER-WASHER; RC100ZHXE,SWRCH10A,M8	SA	2
18	2	A3096	DB93-15689A	ASSY CONTROL OUT; AC130JX4PBH1,E1-PJT, PF	SNA	1
19	2		DB94-03278B	ASSY FAN PROPELLER; MAN-U,480 PI, NATURAL	SA	2
20	2	S0018	DB60-30028A	NUT-FLANGE; HWH,M8,ZPC(WHT),SWRCH18A,P1.2	SA	3

No.	Lvl.	Loc.	Material Code	Description & Specification	SNA	Qty.
21	2		UG5TK1450FJXSG	RCP,RCP,F,R410A; RCP,RCP,F,R410A		1
22	2		DB63-03166A	CLOTH-COMP TOP; EVAR/FELT,T11.5,GRAY	SA	1
23	2		DB63-03823A	CLOTH COMP-SIDE; AC140KXADGH/EU,EVAR/FELT	SA	1
24	2	A0590	DB96-14661A	ASSY COND OUT; RC100PHXEA,INV	SA	1
25	2	A1748	DB94-02697F	ASSY PARTITION; AC048KXADGC/TL,UB2	SA	1
26	2		DB61-00533A	HOLDER-CLAMP COND; RVXMHF050GA,GI-SGCC,T0	SNA	1
27	2		DB90-02316E	ASSY HOLDER-PLATE COND; RC100PHXEA	SNA	2

2. ASSY CONTROL OUT

Exploded View



Parts List

No.	Lvl.	Loc.	Material Code	Description & Specification	SNA	Qty.
18	2	A3096	DB93-15689A	ASSY CONTROL OUT; AC130JX4PBH1,E1-PJT, PF	SNA	1
18-1	3		DB27-00118A	COIL HARMONIC; 2mH,20A,TAB Type	SA	2
18-2	3		DB61-04502D	CASE-EMI; RC090MHXEA,HIPS,NATURAL,VE-1877	SA	1
18-3	3		DB65-00296A	TERMINAL BLOCK-POWER 4P; RC140DHXEA,PC/PB	SA	1
18-4	3		DB90-07578D	ASSY CASE PCB; AF55JS1MAEEXMG	SNA	1
18-4-1	4		DB61-05743A	CASE-PCB; AM053FXMDCH/AA,HIPS,T2.0,141.9,	SA	1
18-4-2	4	A2748	DB92-03310A	ASSY PCB MAIN; OUTDOOR MAIN,CPAC NASA,192	SA	1
18-4-3	4		DB93-12483A	ASSY PCB SUB-EEPROM; SUB,DVMPPLUS4 UP,20*2	SA	1
18-5	3		DB92-03691A	ASSY KIT; PF#5,E1-PJT,INV Platform	SNA	1
18-5-1	4	H0034	DB62-12094A	HEAT SINK; NEW PLATFORM #5,A1,10,200,192,	SA	1

No.	Lvl.	Loc.	Material Code	Description & Specification	SNA	Qty.
18-5-2	4	A2876	DB91-00307A	ASSY-SCREW MACHINE; WW-INV,M4*16,WSP,PH,+	SA	4
18-5-3	4		DB92-03687A	ASSY PCB INVERTER; INVERTER,E1-PJT,242*19	SA	1
18-5-4	4		0205-000178	GREASE-SILICON; YG6111,WHITE, for assembl	SA	0
18-5-5	4		DB61-06473A	CASE PCB; AC145JX4PHH1,ABS,COOL WHITE	SA	1
18-6	3	A2934	DB93-04273B	ASSY CONNECTOR WIRE-COMM; 6,2095,26,BLU,S	SA	1
18-7	3	Z0154	DB93-10809A	ASSY CONNECTOR WIRE-EMI TO MAIN POWER; 2	SA	1
18-8	3	A3096	DB93-10966Q	ASSY CONTROL OUT; HP,Inv,14.0kW,AC090JX4P	SNA	1
18-8-1	4	T0179	DB65-00274A	TERMINAL BLOCK; TERMINAL BLOCK,Polycarbon	SA	1
18-8-2	4		DB90-05889C	ASSY CASE CONTROL; AC090JX4PBH1,ManU	SA	1
18-8-3	4	A0646	DB93-08805B	ASSY CONNECTOR WIRE-EARTH; 1,1015,18,YEL/	SA	1
18-8-4	4	A2934	DB93-10808J	ASSY CONNECTOR WIRE-COMM; 2,1015,22,RED,Y	SA	1
18-9	3	A1781	DB93-11110A	ASSY PCB SUB-EMI; SUB,GLOBAL 4WAY,230*90,	SA	1
18-9-1	4	A0664	DB93-10870B	ASSY CONNECTOR WIRE-POWER; 2,1015,12,BRN,	SA	1
18-9-2	4	A0664	DB93-10872A	ASSY CONNECTOR WIRE-POWER; 3,1015,12,BRN,	SA	1
18-10	3	A0664	DB93-13687A	ASSY CONNECTOR WIRE-POWER; 2,1015,12,BRN,	SA	1
18-11	3	A2610	DB93-15686A	ASSY CONNECTOR WIRE-REACTOR; 2,3343,12,BL	SA	2