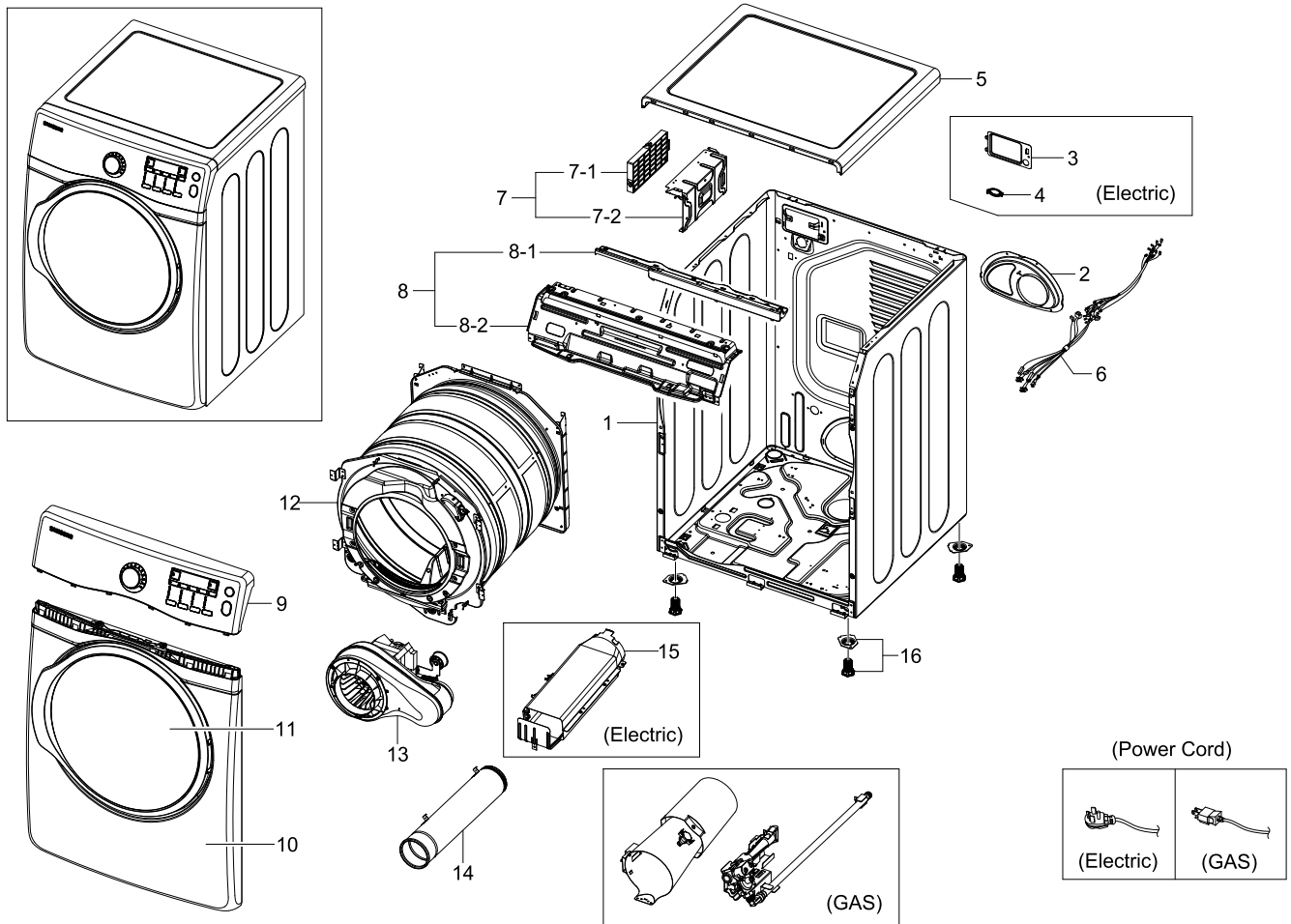


# 1. Main

## Exploded View



## Parts List

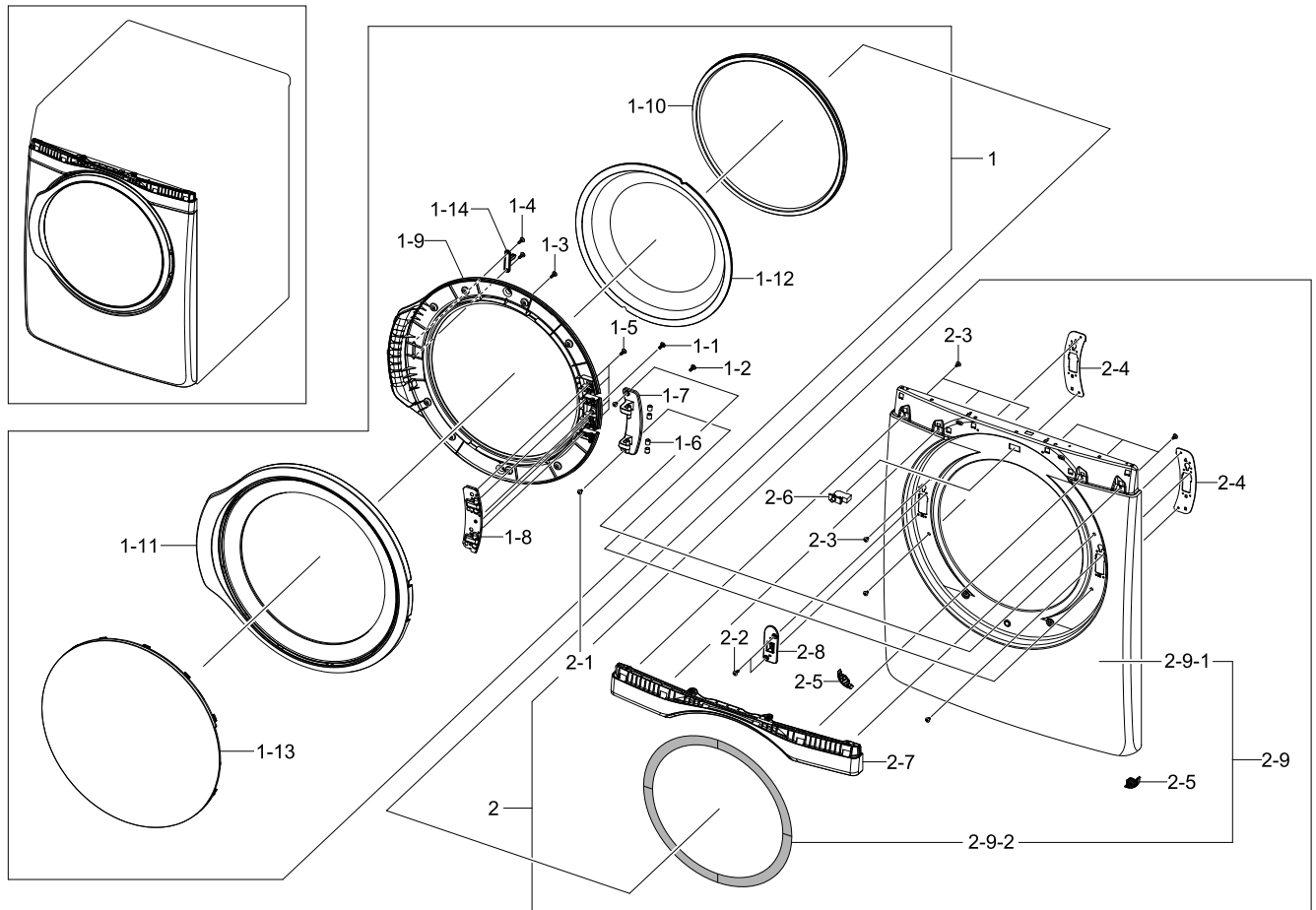
No.	Lvl.	Loc.	Material Code	Description & Specification	SNA	Qty.
1	2	WF0004	DC97-16909A	ASSY FRAME; YUKON-DRYER,DV431AEP/XAX,PLAT	SA	1
2	2	WF0042	DC63-01499A	COVER-BACK; HUDSON-DRYER,GI-SGCC,0.6T,289	SA	1
3	2	WI0201	DC63-00540A	COVER-POWER; WINGS-DRYER,GI-SGCC,T0.6,NTR	SA	1
4	2	WE0098	DC61-01428A	HOLDER-POWER; MDE9700AYW,PP,-,-,-,WHT,POW	SA	1
5	2	WF0003	DC97-16669G	ASSY COVER TOP; YUKON-DRYER,DV431AEP/XAA,	SA	1
6	2		DC93-00067G	ASSY M. WIRE HARNESS; YUKON GLOBAL_EU,DV4	SA	1
7	2		DC92-00669N	ASSY HOLDER PCB; YUKON-GLOBAL(D),DV431AEP	SA	1

## Exploded Views and Parts List

No.	Lvl.	Loc.	Material Code	Description & Specification	SNA	Qty.
7-1	3	WI0291	DC61-01229A	HOLDER-PCB; WINGS-DRYER,GI,T0.6,NTR,MAIN	SA	1
7-2	3	WZ0010	DC92-00322S	ASSY PCB MAIN; YUKON-GLOBAL LATIN,DV431AE	SA	1
8	2	WF0008	DC97-14796A	ASSY FRAME PLATE(U); PURPLE-PJT,DV438AEG/	SA	1
8-1	3	WI0256	DC61-02008B	GUIDE-PANEL; WF438AAW,PP,T2.0,FC2305/NTR,	SA	1
8-2	3	WF0088	DC61-01969A	FRAME-PLATE(U); DV438AEW,GI-SGCC,T0.8,W67	SA	1
9	2	WC0016	DC97-16602F	ASSY PANEL CONTROL; YUKON-GLOBAL,DV431AEP	SNA	1
10	2	WF0005	DC97-15251J	ASSY FRAME FRONT; YUKON-GLOBAL,DV431AEP/X	SA	1
11	2	WD0003	DC97-16045G	ASSY DOOR; YUKON-DRYER,DV431AEP/XAX,INOX	SA	1
12	1	WG0004	DC90-08700A	ASSY DRUM; YUKON-GLOBAL,DV431AEP/XEU	SNA	1
13	1	WS0014	DC90-08701A	ASSY MOTOR DUCT; YUKON-GLOBAL,DV431AEP/XE	SNA	1
14	2	WY0009	DC97-07519D	ASSY DUCT EXHAUST; GRACE-S DRYER,DV457EVG	SA	1
15	2	WE0007	DC97-14486A	ASSY DUCT HEATER; 27-DRYER,-,-,ELECTRIC	SA	1
16	4		DC61-03128A	LEG; DV512AER,FRPP,BLACK,L49.5	SA	4

## 1.1. Assy Front & Door

### Exploded View



### Parts List

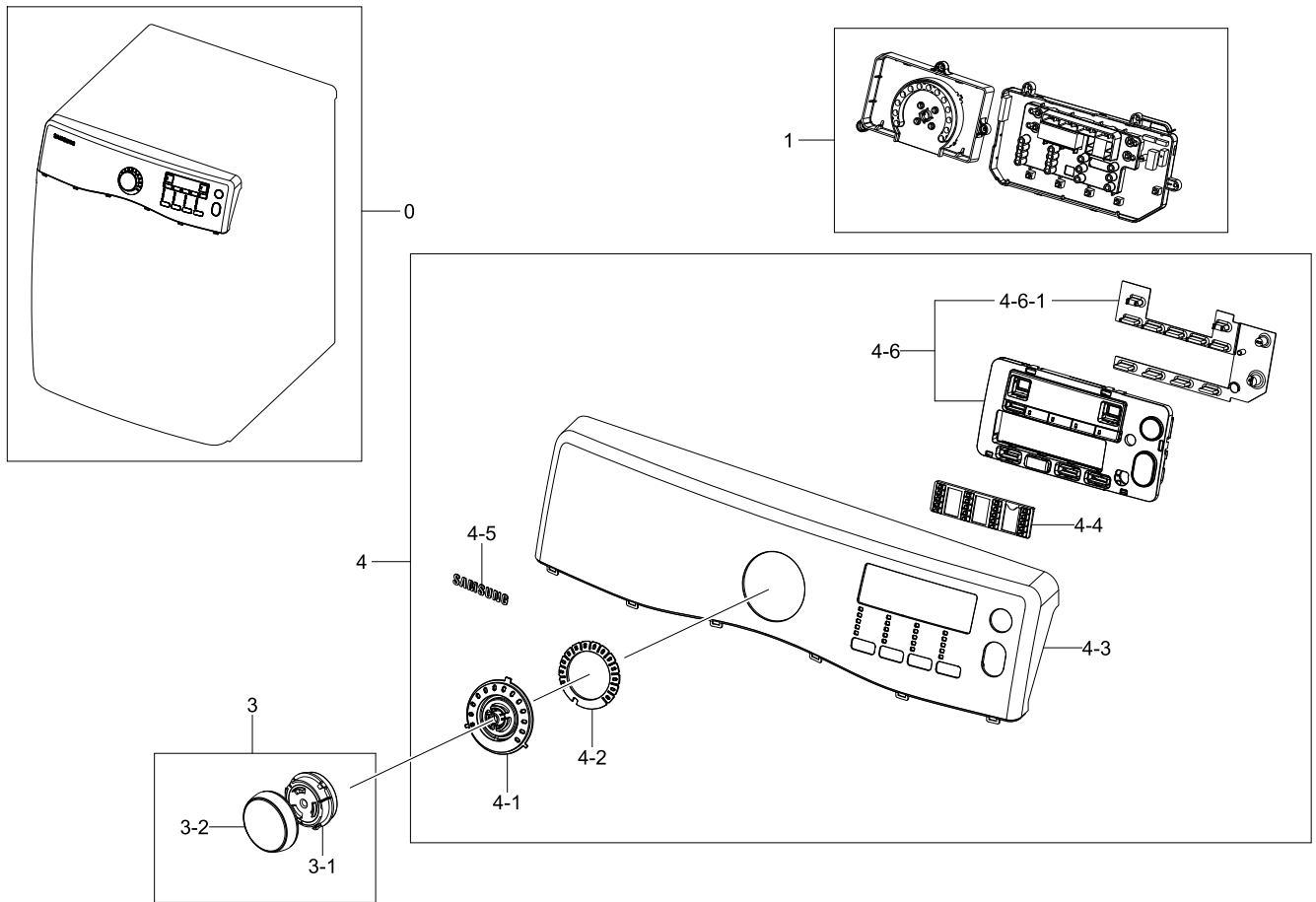
No.	Lvl.	Loc.	Material Code	Description & Specification	SNA	Qty.
1	2	WD0003	DC97-16045G	ASSY DOOR; YUKON-DRYER,DV431AEP/XAX,INOX	SA	1
1-1	3	WX0403	6001-001668	SCREW-MACHINE; TH,+,M5,L16,PASS,STS430,FP	SA	1
1-2	3	WX0420	6002-000241	SCREW-TAPPING; TH,+,-,2S,M5,L12,ZPC(WHT),	SA	1
1-3	3	WX0621	6002-000444	SCREW-TAPPING; TH,+,2,M4,L14,PASS,STS430	SA	12
1-4	3	WX0427	6002-000445	SCREW-TAPPING; TH,+,2,M4,L18,PASS,STS304	SA	2
1-5	3	WX0622	6002-001306	SCREW-TAPPING; TH,+,1,M4,L14,ZPC(WHT),SWR	SA	8
1-6	3	WD0090	DC61-00891A	GUIDE-HINGE; HAUZEN(DOM),POM,-,-,-,WHT,HI	SA	4
1-7	3	WD0096	DC61-03202A	HINGE-DOOR; WF350,PA,T5.0,W42,L173,SQUALL	SA	1
1-8	3	WD0134	DC61-01576A	SUPPORT-HINGE; FRONTIER-PJT,GI-SGCC,T1.4,	SA	1

## Exploded Views and Parts List

No.	Lvl.	Loc.	Material Code	Description & Specification	SNA	Qty.
1-9	3	WD0105	DC61-01991A	HOLDER-GLASS; PURPLE DRYER,PP,T2.8,W542.4	SA	1
1-10	3	WD0127	DC62-00262A	SEAL-DOOR; DV448AEW,TPE,GRY,-,-,1280mm,PU	SA	1
1-11	3	WD0037	DC63-01174A	COVER-DOOR; DV350,ABS,T3.0,W542,Cr coatin	SA	1
1-12	3	WD0070	DC64-02637A	DOOR-GLASS; 27-DRYER,HeatTreatment GLASS,	SA	1
1-13	3	WD0079	DC64-02215A	DOOR-SAFETY; WF350ANW,PET,T2.5,W491,SQUAL	SA	1
1-14	3	WD0114	DC66-00737A	LEVER-DOOR; DV431AGP/XAX,POM,W10.7,L31.3,	SA	1
2	2	WF0005	DC97-15251J	ASSY FRAME FRONT; YUKON-GLOBAL,DV431AEP/X	SA	1
2-1	3	WX0407	6001-001773	SCREW-MACHINE; TH,+,-,M5,L12,PASS,STS430,	SA	2
2-2	3	S0025	6002-000231	SCREW-TAPPING; TH,+,-,NO,2S,M4,L12,ZPC(WHT)	SNA	3
2-3	3	WX0419	6002-000239	SCREW-TAPPING; TH,+,-,NO,2S,M4,L8,ZPC(WHT),	SA	7
2-4	3	WP0101	DC61-01222A	BRACKET-HINGE; 27-DRYER,HGI,T2.0,-,-,-,-	SA	2
2-5	3	WI0171	DC63-00959A	COVER FRONT; WF448AAP,PP,-,W8.5,L25.5,-,-	SA	2
2-6	3	WE0068	DC64-00828A	DOOR-S/W; GD-PJT,PA,T13.6,H38.5,W44.3,-,W	SA	1
2-7	3	WF0053	DC64-02626A	DECORATION-FRONT; YUKON,ABS,T2.8,W684.5,L	SA	1
2-8	3	WD0011	DC97-07510B	ASSY HOLDER LEVER; -,MDE7800AYW,DRYER/DOO	SA	1
2-9	3	WF0006	DC97-16601C	ASSY FRAME FRONT(S); YUKON-GLOBAL,DV431AE	SA	1
2-9-1	4	WF0082	DC61-02094A	FRAME-FRONT; DV448AEP,VCM(GI),-,-,PLATINU	SNA	1
2-9-2	4	WO0061	DC63-10001C	ABSORBER SPONGE; EPDM,T3.0,W15,L350,BLK,O	SNA	4

## 1.2. Assy Panel Control

### Exploded View



### Parts List

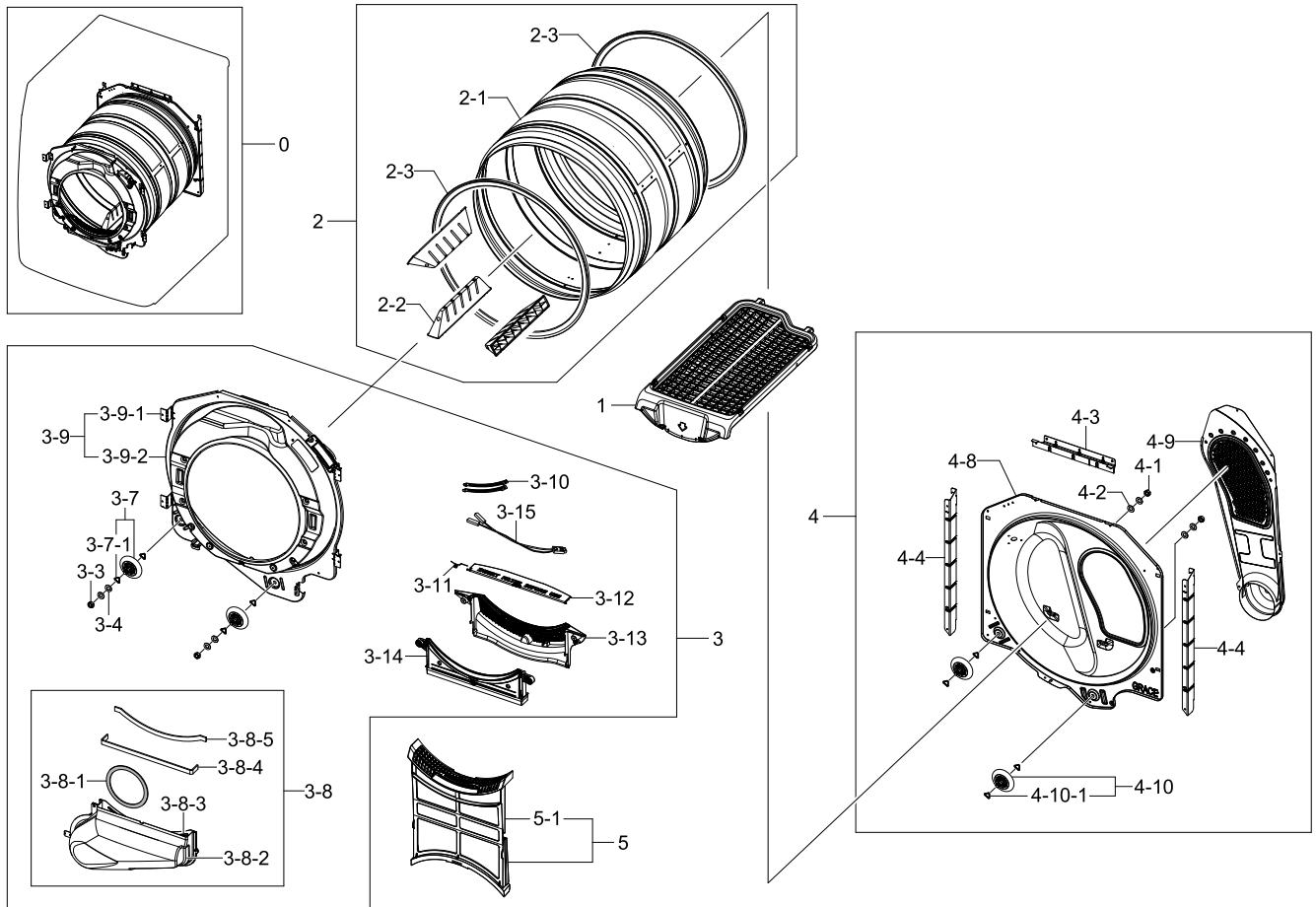
No.	Lvl.	Loc.	Material Code	Description & Specification	SNA	Qty.
0	2	WF0003	DC97-16669G	ASSY COVER TOP; YUKON-DRYER,DV431AEP/XAA,	SA	1
1	3	WZ0025	DC92-00774K	ASSY PCB SUB; YUKON GLOBAL DRYER,DV431AEP	SA	1
3	3	WC0009	DC97-16931A	ASSY KNOB ENCODER; SQUALL Jr	SA	1
3-1	4	WC0101	DC64-02768A	KNOB-ENCODER; SQUALL Jr,ABS,T2.2,W59.2,L3	SNA	1
3-2	4	WC0077	DC64-02767A	DECORATION-ENCODER; SQUALL Jr,ABS,T2.5,W6	SNA	1
4	3	WC0018	DC97-16603F	ASSY S.PANEL CONTROL; YUKON-GLOBAL,DV431A	SA	1
4-1	4	WC0137	DC64-02179A	WINDOW-ENCODER(O); WF520,ABS,T2.0,W100,L1	SNA	1
4-2	4	WC0136	DC64-02180A	WINDOW-ENCODER(I); WF520,PMMA,T2.0,W83,L8	SNA	1

## Exploded Views and Parts List

No.	Lvl.	Loc.	Material Code	Description & Specification	SNA	Qty.
4-3	4	WC0122	DC64-02627C	PANEL-CONTROL; DV431AEP/XEU,ABS,T3.0,L681	SNA	1
4-4	4	WC0154	DC64-02631A	DECORATION-LED(S); WF431,PMMA,T2,W127,L39	SA	1
4-5	4	WC0114	DC64-02707A	MASCOT; WF431 / DV43,NICKEL,T0.05,W80,L12	SC	1
4-6	4	WC0001	DC97-16622D	ASSY BUTTON; YUKON-GLOBAL,DV431AEP/XEU,IN	SA	1
4-6-1	5	WC0059	DC64-02647A	BUTTON-RUBBER; YUKON-DRYER,SILICON,TRP,50	SA	1

## 1.3. Assy Drum

### Exploded View



### Parts List

No.	Lvl.	Loc.	Material Code	Description & Specification	SNA	Qty.
0	1	WG0004	DC90-08700A	ASSY DRUM; YUKON-GLOBAL,DV431AEP/XEU	SNA	1
1	3	WA0021	DC61-02773A	DIE-RACK DRY; SQUALL-DRYER,PP,GRY	SA	1
2	2	WG0007	DC97-14849A	ASSY DRUM WRAPPER; DV438AEG/XAA,STS430J1L	SA	1
2-1	3	WG0057	DC66-00397C	DRUM-WRAPPER; 27-DRYER,STAINLESS-STS430,6	SNA	1
2-2	3	WG0055	DC66-00511A	DRUM-LIFTER; DV448AEW/XAA,PP,L455.5,GRY,P	SA	3
2-3	3	WI0028	DC97-07618A	ASSY GASKET PAD; MDE9700AYW,DRYER/DRUM-WR	SNA	2
3	2		DC97-15958C	ASSY DRUM FRONT; YUKON-GLOBAL(D),DV431AEP	SNA	1
3-3	3	WJ0054	DC60-50145A	NUT-HEX; MSWR,M10	SA	2
3-4	3	WJ0078	DC60-60060A	FASTENER-PLAIN; HUDSON,YEL,Y260STC,SSEC,T	SA	4

Exploded Views and Parts List

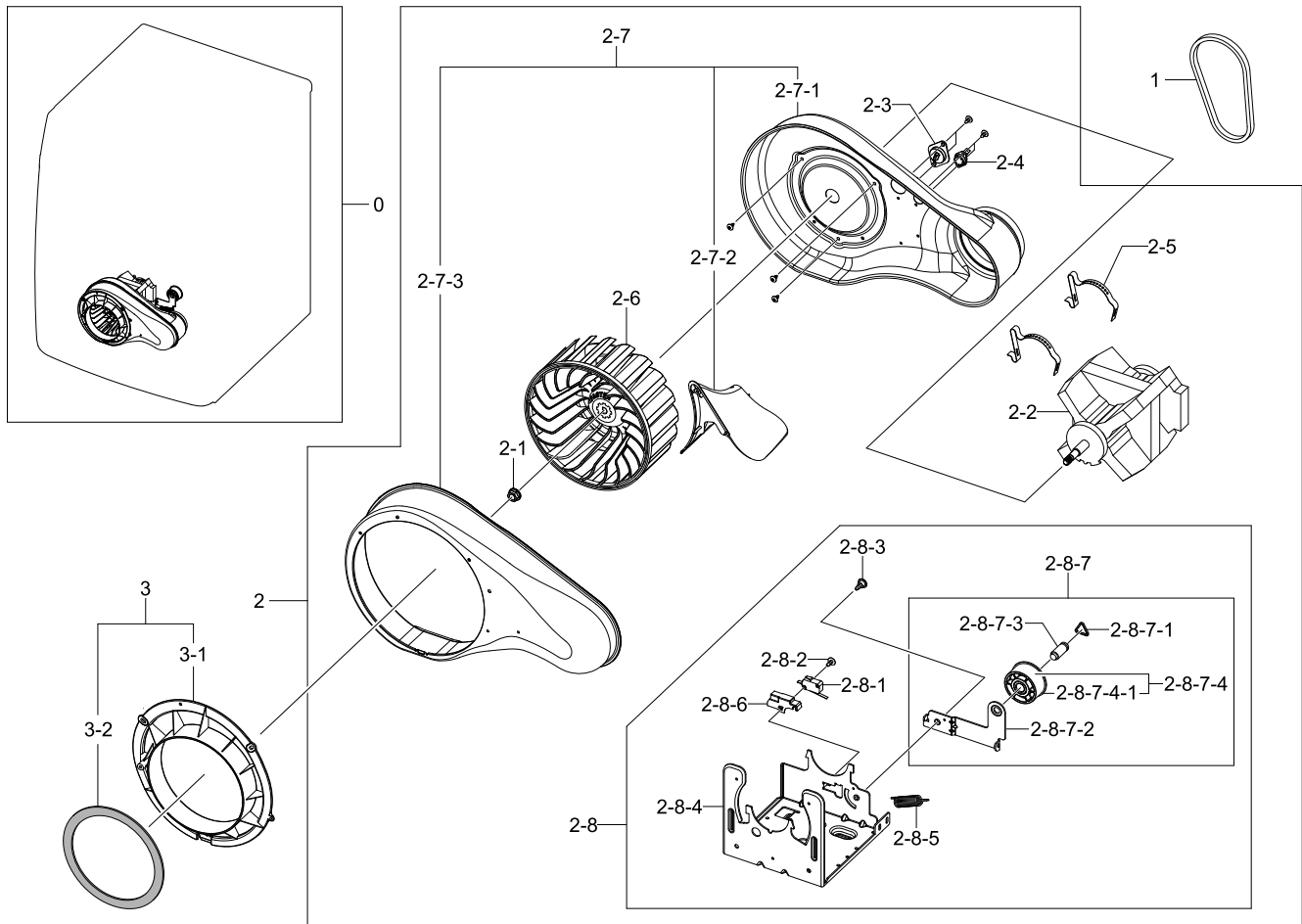
No.	Lvl.	Loc.	Material Code	Description & Specification	SNA	Qty.
3-7	3		DC97-16782A	ASSY PLASTIC SUPPORTOR; 27-DRYER	SA	2
3-7-1	4	WS0082	DC61-01228A	HOLDER-SHAFT; WINGS-DRYER,PA66,NTR,ROLLER	SA	4
3-8	3	WY0014	DC97-07526B	ASSY DUCT OUTLET; DV337AEW,DRYER/BRACKET-	SA	1
3-8-1	4	WO0061	DC63-10001K	ABSORBER SPONGE; SWF-P12,EPDM,T3,W15,L530	SNA	1
3-8-2	4	WY0106	DC67-00127A	DUCT-OUTLET(F); WINGS-DRYER,GI-SGCC,T0.35	SNA	1
3-8-3	4	WY0105	DC67-00128B	DUCT-OUTLET(B); DV337AEW,GI-SGCC,T0.6,NTR	SNA	1
3-8-4	4	WO0061	DC72-00032A	ABSORBER SPONGE; MDE9700AYW,EPDM,T5,W20,L	SNA	1
3-8-5	4	WO0061	DC72-00032C	ABSORBER SPONGE; MDE9700AYW,EPDM,T5,W20,L	SNA	1
3-9	3	WG0030	DC97-15957B	ASSY-S.DRUM FRONT; YUKON-GLOBAL(D),DV431A	SA	1
3-9-1	4	WP0173	DC61-01236A	BRACKET-DRUM FRONT; WINGS-DRYER,HGI,T2.0,	SA	4
3-9-2	4	WG0054	DC66-00597B	DRUM-FRONT; DV431AEP/XEU,EGI-SECC,T1.0,WH	SNA	1
3-10	4	WE0117	DC61-02627A	PLATE-SENSOR; DV220AEW,STAINLESS-ST5430,T	SA	2
3-11	4	WP0164	DC61-02740A	SPRING ETC-FILTER; BIGBANG-DRYER,HSWR,PI0	SA	1
3-12	4	WI0345	DC63-01144A	COVER-FILTER(U); BIG-BANG DRYER,PP,GRAY,D	SA	1
3-13	4	WI0168	DC63-01149A	COVER-FILTER(B); BIG-BANG DRYER,PP,GRAY,D	SA	1
3-14	4	WI0169	DC63-01150A	COVER-FILTER(F); BIG-BANG DRYER,PP,GRAY,D	SA	1
3-15	4	WW5193	DC96-00766A	ASSY WIRE HARNESS; GR-PJT,-,-,SUB/TOUCH S	SA	1
4	2	WG0005	DC97-08698L	ASSY DRUM BACK; YUKON-GLOBAL(D),DV431AEP/	SNA	1
4-1	3	WJ0054	DC60-50145A	NUT-HEX; MSWR,M10	SA	2
4-2	3	WJ0078	DC60-60060A	FASTENER-PLAIN; HUDSON,YEL,Y260STC,SSEC,T	SA	4
4-3	3	WP0084	DC61-01237A	BRACKET-DRUM BACK; WINGS-DRYER,GI-SGCC,T0	SA	1
4-4	3	WP0084	DC61-01238A	BRACKET-DRUM BACK; 27-DRYER,SBHG1-A,T0.8,	SNA	2
4-8	3	WG0053	DC66-00411D	DRUM-BACK; DV330AEW,EGI-SECC,T0.6,GRAY	SA	1
4-9	3	WY0005	DC97-07521A	ASSY DUCT AIR; MDE7800AYW,DRYER,-,-,ELECT	SA	1



No.	Lvl.	Loc.	Material Code	Description & Specification	SNA	Qty.
4-10	3		DC97-16782A	ASSY PLASTIC SUPPORTOR; 27-DRYER	SA	2
4-10-1	4	WS0082	DC61-01228A	HOLDER-SHAFT; WINGS-DRYER,PA66,NTR,ROLLER	SA	4
5	2	WR0003	DC97-16013A	ASSY CASE FILTER; BIGBANG-PJT,DV220AEW	SA	1
5-1	3	WI0137	DC61-02613A	CASE-FILTER; BIG-BANG DRYER,PP,GRAY,DV220	SA	1

# 1.4. Assy Motor Duct

## Exploded View



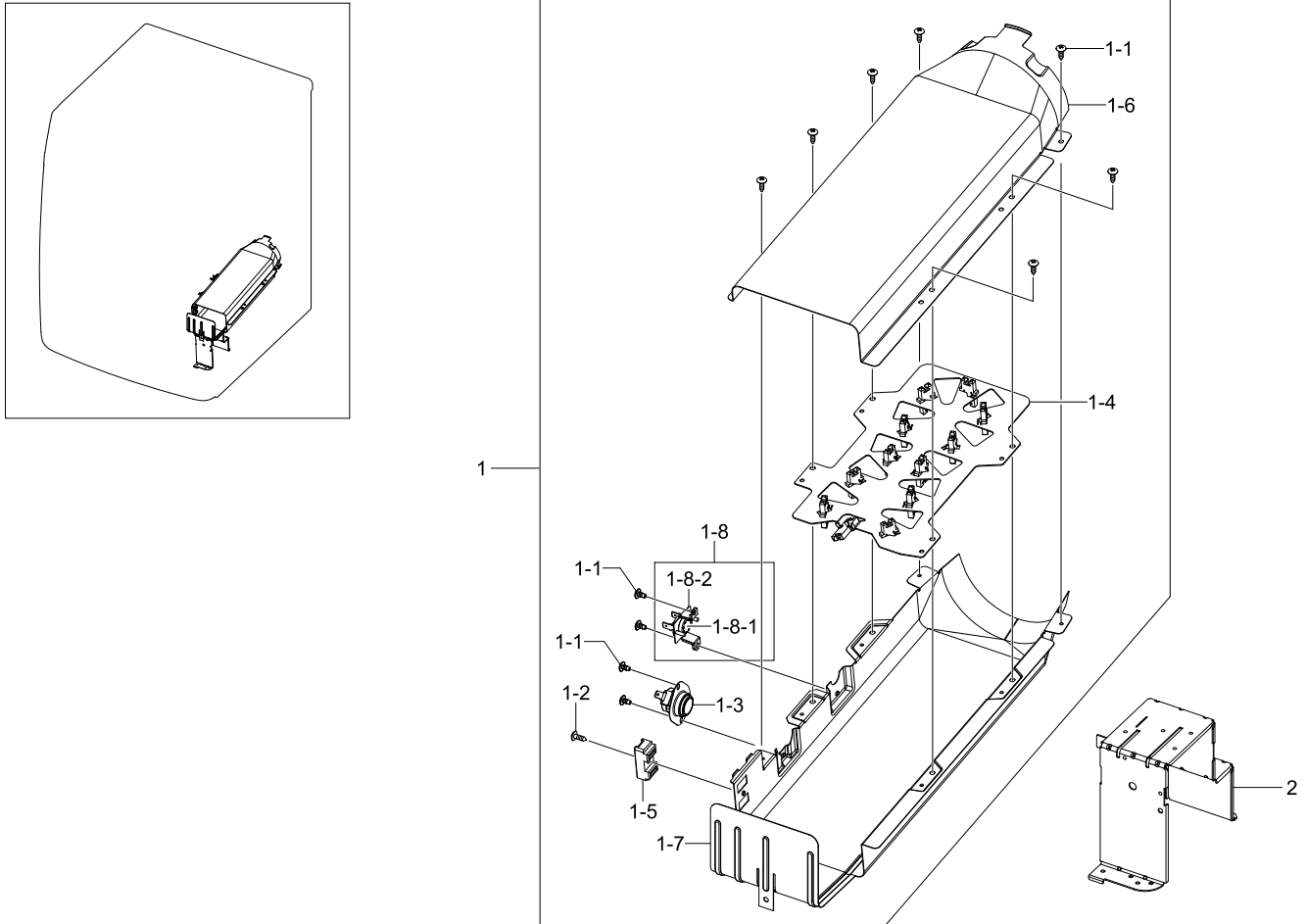
## Parts List

No.	Lvl.	Loc.	Material Code	Description & Specification	SNA	Qty.
0	1	WS0014	DC90-08701A	ASSY MOTOR DUCT; YUKON-GLOBAL,DV431AEP/XE	SNA	1
1	2	WS0060	6602-001655	BELT-TIMING GEAR; -,RUBBER,T3*W8,-,L2337,	SA	1
2	2	WS0011	DC93-00101K	ASSY MOTOR; YUKON-GLOBAL(D),DV431AEP/XEU	SA	1
2-1	3	WX0574	6021-001201	NUT-INCH; LEFT TURN,3/8"-24,ZPC(YEL),MSWR	SA	1
2-2	3	WS0096	DC31-00055F	MOTOR INDUCTION-DRYER; Dryer motor,DFS280	SA	1
2-3	3	WE5179	DC32-00007A	THERMISTOR; N3S1-K41-S1,10K,10KOHM 25,-40	SA	1
2-4	3		DC47-00016D	THERMOSTAT; -,PBR380VP,250,16A,-35,85+-5.	SA	1
2-5	3	WP0021	DC61-01214A	SPRING-PLATE; WINGS-DRYER,SK-5,-,-,-,-,-,	SA	2

No.	Lvl.	Loc.	Material Code	Description & Specification	SNA	Qty.
2-6	3	WY0073	DC67-00180B	FAN; 27-DRYER,FRPP,OD160/ID12,GF15%	SA	1
2-7	3	WY0097	DC93-00098C	ASSY COVER DUCT; GRACE-DRYER,DV520,GI/TB5	SA	1
2-7-1	4	WI0246	DC61-02348B	GUIDE-DUCT FAN; 27-DRYER,GI,T0.6	SA	1
2-7-2	4		DC61-02641A	GUIDE-FAN; 27-DRYER,PP,T2.0,W102.5,NTR,TB	SNA	1
2-7-3	4	WI0164	DC63-01026A	COVER-DUCT FAN; 27-DRYER,GI,T0.6,-,-,-,-	SNA	1
2-8	3	WP0035	DC96-00790C	ASSY BRACKET MOTOR; MDE9700AYW,DRYER,-,-	SNA	1
2-8-1	4	WE0136	3405-001077	SWITCH-MICRO; 125V,16A,180gf,2	SA	1
2-8-2	4	WX0440	6002-000488	SCREW-TAPPING; PH,+,-,NO,2S,M3,L16,ZPC(WHT)	SA	1
2-8-3	4	WX0518	6009-001342	SCREW-SPECIAL; TH,+,-,M5,L11,ZPC(WHT),SWR	SNA	1
2-8-4	4	WP0118	DC61-01213A	BRACKET-MOTOR; WINGS-DRYER,HGI,T2.0,-,-,-	SA	1
2-8-5	4	WP0015	DC61-01215B	SPRING ETC-TENSION; MDE9700AYW,HSWR,D1.8,	SA	1
2-8-6	4	WE0063	DC63-00919A	COVER-SWITCH; DV448,ABS+PC,T1.5,W13.7,L52	SA	1
2-8-7	4	WP0032	DC96-00882C	ASSY BRACKET IDLER; MDE9700AYW,DRYER,-,-	SA	1
2-8-7-1	5	WS0082	DC61-01228A	HOLDER-SHAFT; WINGS-DRYER,PA66,NTR,ROLLER	SA	1
2-8-7-2	5	WP0107	DC61-01230B	BRACKET-IDLER; MDE9700AYW,HGI,T2.0,-,-,-,-	SA	1
2-8-7-3	5	WS0123	DC66-00401A	SHAFT-IDLER; WINGS-DRYER,STS-410,-,-,-,-,-	SNA	1
2-8-7-4	5	WS0021	DC97-07509B	ASSY ROLLER; -,MDE9700AYW,DRYER/MOTOR/IDL	SA	1
2-8-7-4-16		WS0114	DC66-00402A	ROLLER-IDLER; WINGS-DRYER,POM,-,-,-,-,-MOT	SA	1
3	3	WY0008	DC97-07895A	ASSY DUCT CONNECTOR; MDE7800AYW,DRYER,-,-	SA	1
3-1	4		DC67-00130A	DUCT-CONNECTOR; 27-DRYER,PP,NTR,PREMIUM	SNA	1
3-2	4	WO0061	DC72-00032E	ABSORBER SPONGE; MDE9700AYW,EPDM,T3,W15,L	SNA	1

# 1.5. Assy Duct Heater

## Exploded View








## Parts List

No.	Lvl.	Loc.	Material Code	Description & Specification	SNA	Qty.
1	2	WE0007	DC97-14486A	ASSY DUCT HEATER; 27-DRYER,-,-,ELECTRIC	SA	1
1-1	3	WX0419	6002-000239	SCREW-TAPPING; TH,+,NO,2S,M4,L8,ZPC(WHT),	SA	7
1-2	3	WX0622	6002-001306	SCREW-TAPPING; TH,+,1,M4,L14,ZPC(WHT),SWR	SA	8
1-3	3	WE5163	DC47-00018A	THERMOSTAT; 60T11,-,250V,25A,-20~150,-30~	SA	1
1-4	3	WE0095	DC47-00019A	HEATER-DRY; -,GD-PJT,-,5300W,21A,240,10,D	SA	1
1-5	3	WE0140	DC65-00013A	TERMINAL-BLOCK; GR-PJT,SERAMIC,2HOLE,1015	SNA	1
1-6	3	WE0071	DC67-00132A	DUCT-HEATER(U); WINGS-DRYER,AL-COAT,T0.5,	SNA	1
1-7	3	WE0070	DC67-00133A	DUCT-HEATER(L); WINGS-DRYER,AL-COAT,T0.5,	SNA	1

No.	Lvl.	Loc.	Material Code	Description & Specification	SNA	Qty.
1-8	3	WP0039	DC96-00887A	ASSY BRACKET THERMOSTAT; MDE9700AYW,DRYER	SA	1
1-8-1	4	WE5169	DC47-00015A	THERMOSTAT; PW-3V,250V,25A,1605,-35,25A	SA	1
1-8-2	4	WP0145	DC61-01204A	BRACKET-THERMOSTAT; WINGS-DRYER,SGCC(GI),	SA	1
2	2	WE0065	DC61-02016A	DIE-HEATER; DV438AEW/XAA,SECC(EGI),-,NT	SA	1

## 1.6. Small Parts

### Exploded View

				
1	2	3	4	5

### Parts List

No.	Lvl.	Loc.	Material Code	Description & Specification	SNA	Qty.
1	3	WI0326	6046-000310	STAND OFF; ID11.5,L2,NTR,NYLON66,DAWH-3NA	SNA	3
2	3	WI0295	DC61-60074A	HOLDER-WIRE; PA,NTR,NYLON#66(DAWS-6NB)	SA	1
3	3	WI0293	DC61-40081A	HOLDER-WIRE; DAWH-2NC,PA,NTR(PI19.4)	SA	1
4	3		6502-000127	CABLE CLAMP; DAWH-18NB,ID15,-,NYLON66,NTR	SNA	1
5	3	WI0294	DC61-00553C	HOLDER-WIRE SADDLE; -,NYLON66,-,-,NTR,D	SA	1