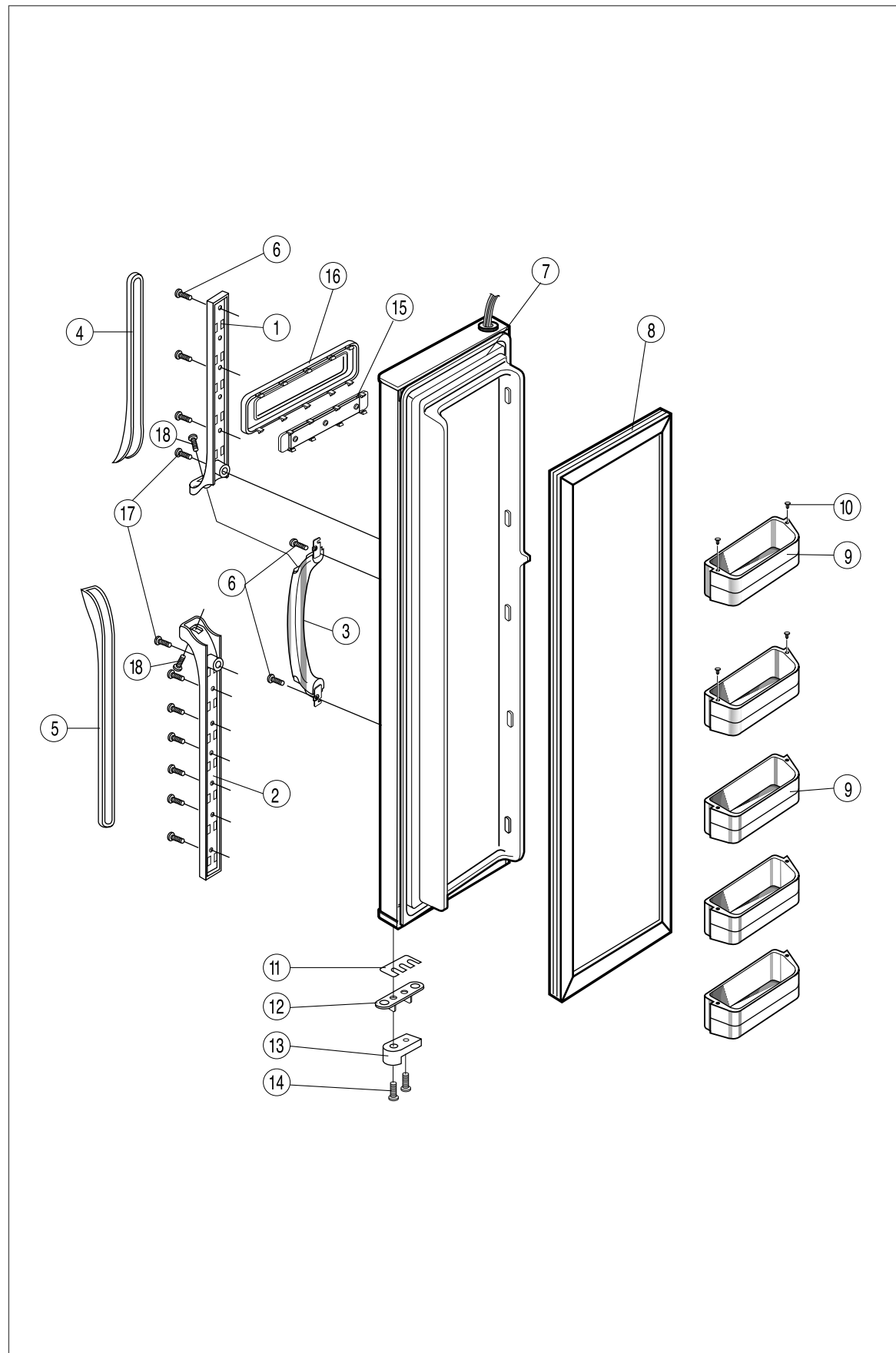


15. Exploded view of Refrigerator and List

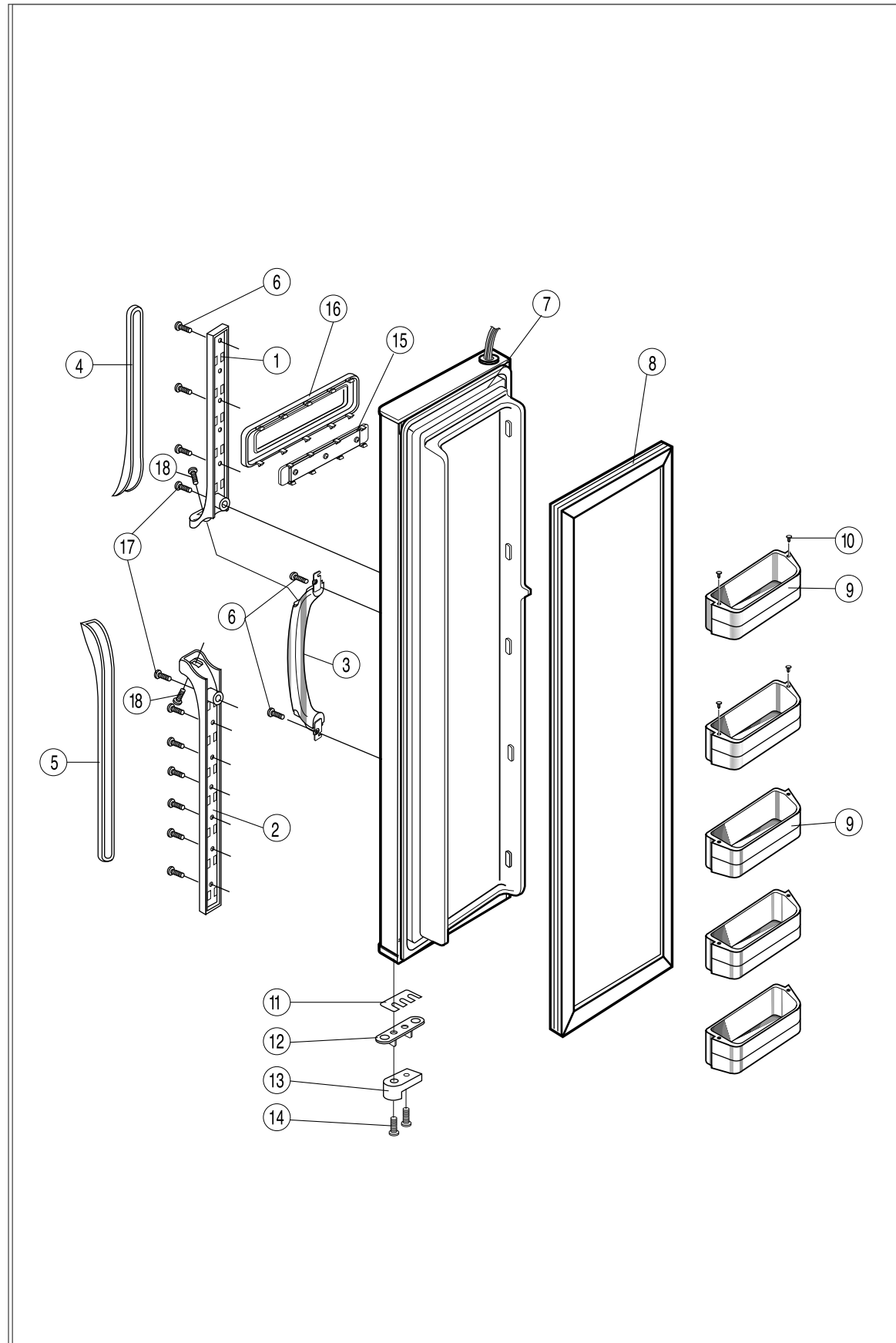
15-1) Door Parts of Freezing Compartment (SR-S25NTA)



Freezing Door Components List(SR-S25NTA)

No	Code-No	Items	Specifications	Q'TY	Remarks
1	DA64-10467A	HANDLE-BASE FRE UPP	Au coated	1	
2	DA64-10466A	HANDLE-BASE FRE LOW	Au coated	1	
3	DA64-10463A	HANDLE	POLY URETHAN	1	
4	DA64-10471A	HANDLE-TRIM FRE UPP	ABS	1	
5	DA64-10470A	HANDLE-TRIM FRE LOW	ABS	1	
6	6002-000213	SCREW-TAPPING	M4 ×12	11	
7		ASS'Y-FOAM DOOR FRE	SR-S25NTA, EXP	1	
8	DA63-30232B	GASKET-DOOR FRE ASS'Y	SF-PVC	1	
9	DA63-10925B	GUARD-FRE	ABS	5	
10	DA63-20282A	CAP-GUARD	General PP	4	
11	DA67-30343A	SHIM-RISER	RD-PVC T2.0	1	
12	DA71-70163A	STOPPER-DOOR	SM45C T3.0	1	
13	DA63-50187B	CAM-HINGE	POM	1	
14	DA71-40120A	SCREW-MACHINE	MSWR10+M5 ×16	2	
15	DA66-90112A	COVER-CONTROL FRE ASS'Y	NTA	1	
16	6001-000716	CASE-CONTROL BASE	ABS	1	
17	6002-000468	SCREW-TAPPING	M5 ×18	2	
18	6002-000215	SCREW-TAP	M4 ×16	2	

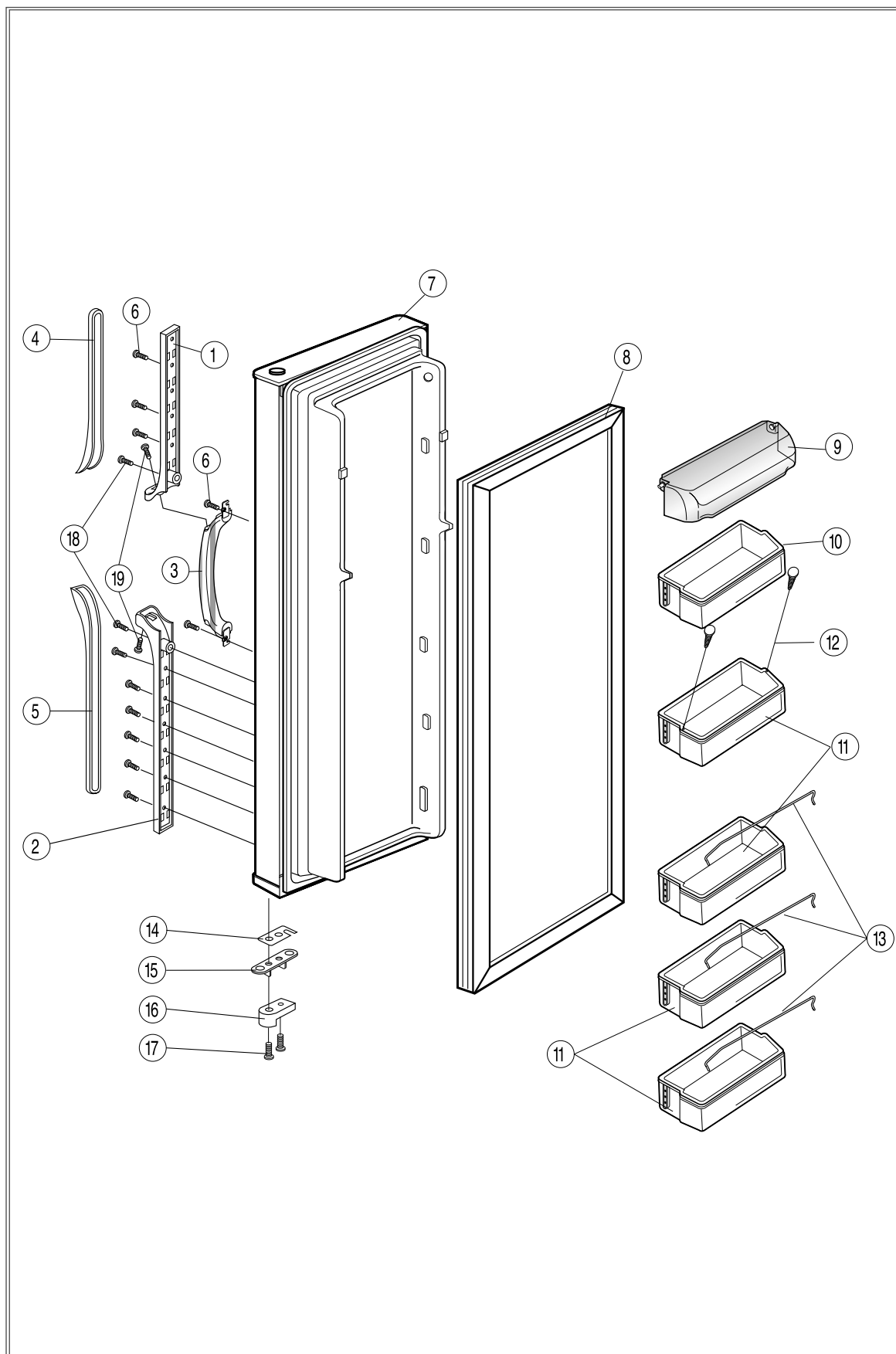
15-2) Refrigerating Room Door (SR-S25NTA)



■ Refrigerator Room Door Components List (SR-S25NTA)

No	Code-No	Items	Specifications	Q'TY	Remarks
1	DA64-10465A	HANDLE-BASE FRE UPP	Au coated	1	
2	DA64-10464A	HANDLE-BASE FRE LOW	Au coated	1	
3	DA64-10463A	HANDLE	POLY URETHAN	1	
4	DA64-10471A	HANDLE-TRIM FRE UPP	ABS	1	
5	DA64-10470A	HANDLE-TRIM FRE LOW	ABS	1	
6	6002-000480	SCREW-TAP	M4×10	11	
7		ASS'Y-FOAM DOOR FRE	SR-S25NTA	1	A/S
8	DA63-30231A	GASKET-DOOR FRE ASS'Y	SF-PVC	1	
9	DA63-10925B	COVER-GUARD	GPPS	1	
10	DA63-20272A	GUARD-REF UPP	ABS	1	
11	DA63-20271A	GUARD-REF LOW	ABS	4	
12	DA67-30343A	CAP-GUARD	General PP	2	
13	DA71-70162A	GUIDE-BOTTLE REF	PIPE Cr coated	3	
14	DA63-50187B	SHIM-RISER	RD-PVC T 2.0	1	
15	DA71-40150A	STOPPER-DOOR	SM 45C T 3.0	1	
16	DA66-90112E	CAM-HINGE	POM	1	
17	6001-000716	SCREW-MACHINE	MSWR10 + M5×16	2	
18	DA60-10122C	SCREW TAP TITE	M5×16	2	
19	6002-000215	SCREW-TAP	M4×16	2	

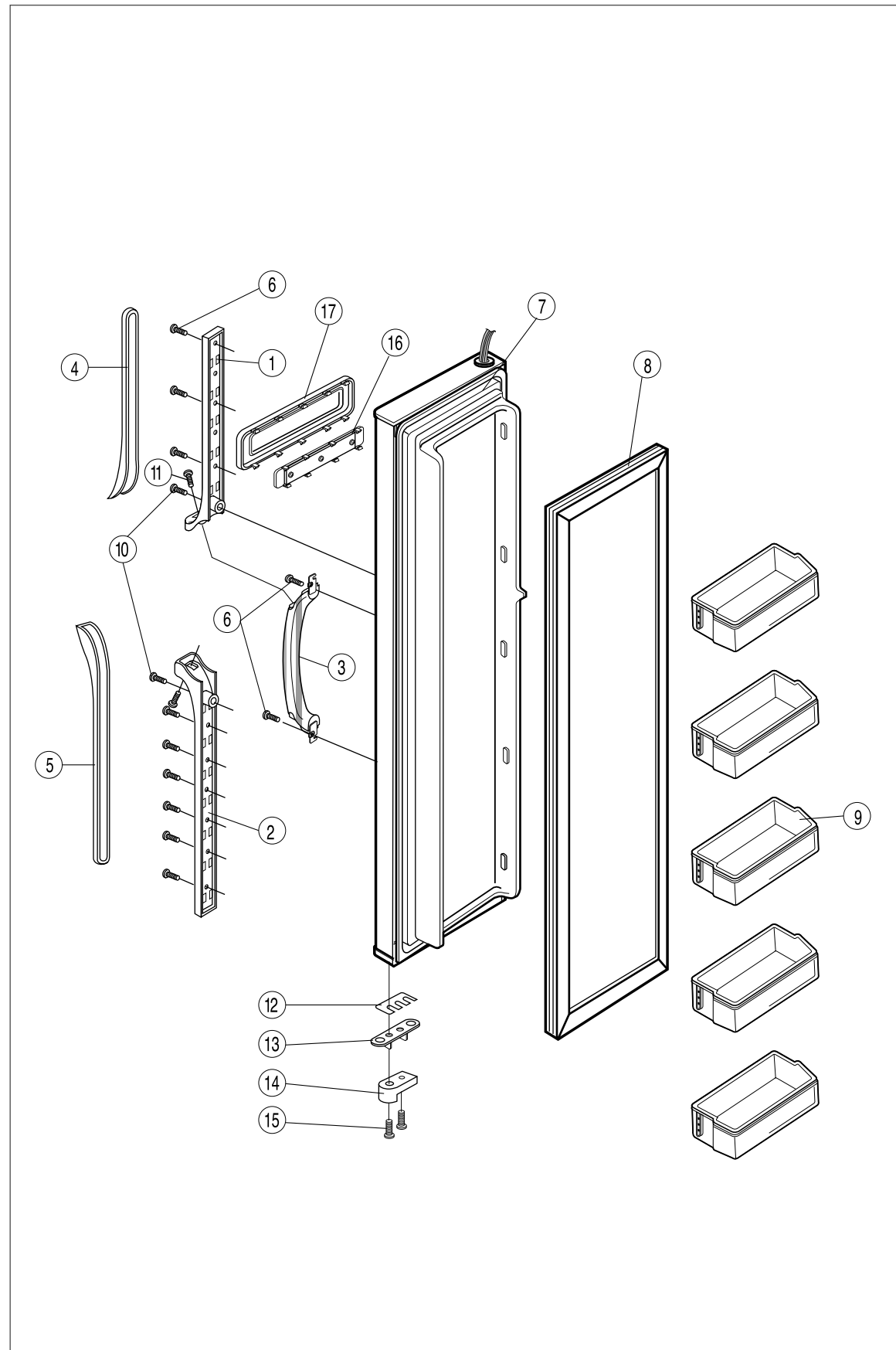
15-3) Door Parts (SR-S26NTA)



■Door Parts List (SR-S26NTA)

No	Code-No	Items	Specifications	Q'TY	Remarks
1	DA64-10467A	HANDLE-BASE FRE UPP	Au coated	1	
2	DA64-10466A	HANDLE-BASE FRE LOW	Au coated	1	
3	DA64-10463A	HANDLE	POLY URETHAN	1	
4	DA64-10471A	HANDLE-TRIM FRE UPP	ABS	1	
5	DA64-10470A	HANDLE-TRIM FRE LOW	ABS	1	
6	6002-000213	SCREW-TAPPING	M4 ×12	11	
7		ASS'Y-FOAM DOOR FRE		1	
8	DA63-30232B	GASKET-DOOR FRE ASS'Y	SF-PVC	1	
9	DA63-10925B	COVER-GUARD	GPPS	1	
10	DA63-20282A	GUARD-REF UPP	ABS	1	
11	DA63-20283A	GUARD-REF LOW	ABS	4	
12	DA67-30343A	CAP-GUARD	PP	2	
13	DA71-70163A	GUIDE-BOTTLE REF	MSW R10, SNC2	3	
14	DA63-50187B	SHIM-RISER	RD-PVC T2.0	1	
15	DA71-40120A	STOPPER-DOOR	SM45C T3.0	1	
16	DA66-90112A	CAM-HINGE	POM	1	
17	6001-000716	SCREW-MACHINE	MSWR10+M5 ×16	2	
18	6002-000468	SCREW-TAPPING	M5 ×18	2	
19	6002-000215	SCREW-TAP	M4 ×19	2	

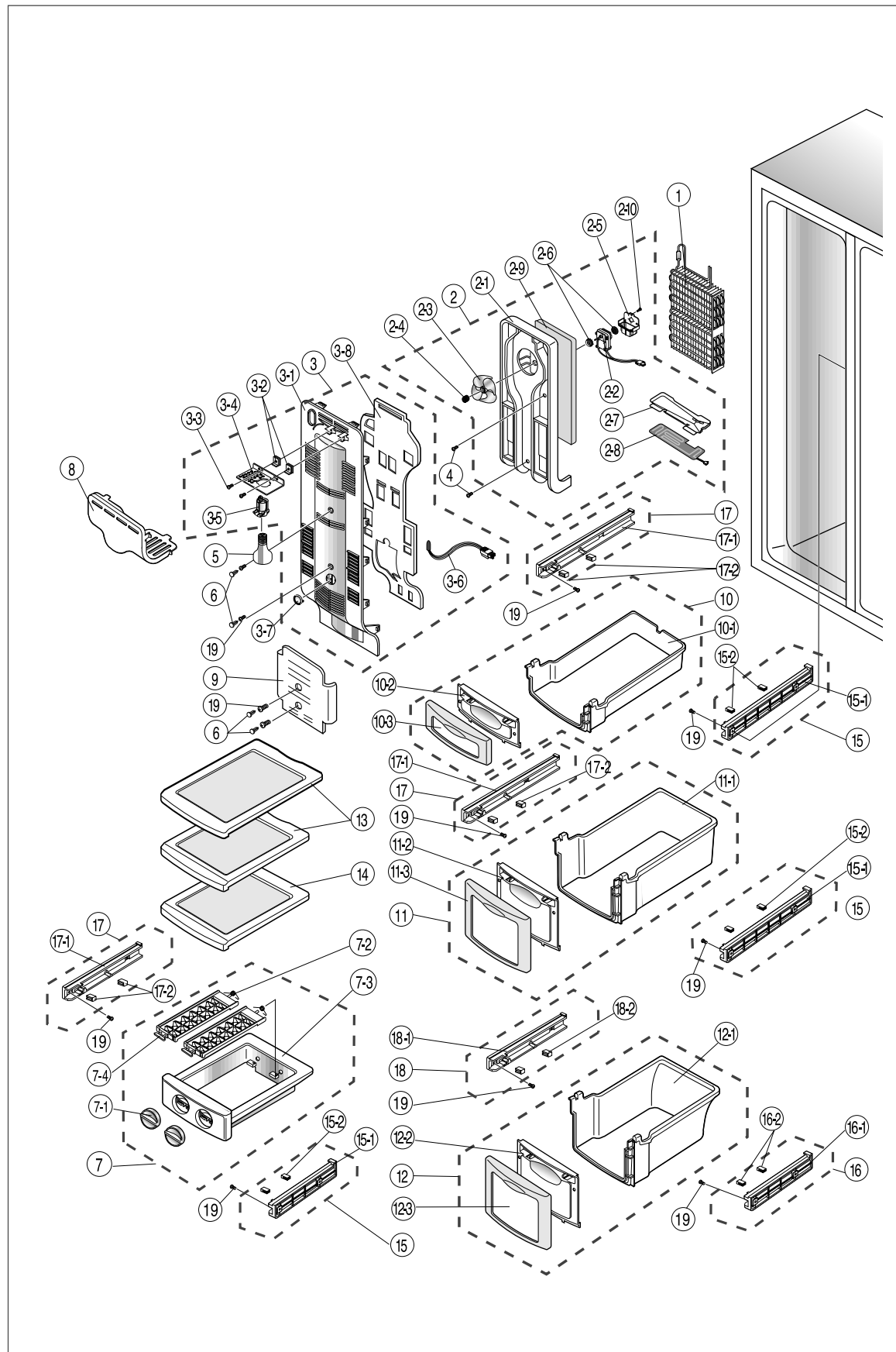
15-4) Door Parts of Freezing Compartment (SR-S26NTA)



■Parts List (SR-S26NTA)

No	Code-No	Items	Specifications	Q'TY	Remarks
1	DA64-10465A	HANDLE-BASE FRE UPP	Au coated	1	
2	DA64-10464A	HANDLE-BASE FRE LOW	Au coated	1	
3	DA64-10463A	HANDLE	POLY URETHAN	1	
4	DA64-10469A	HANDLE-TRIM FRE UPP	ABS	1	
5	DA64-10468A	HANDLE-TRIM FRE LOW	ABS	1	
6	6002-000213	SCREW-TAPPING	M4×12	11	
7		ASS'Y-FOAM DOOR FRE	SR-S26/28NTA	1	
8	DA63-30231B	GASKET-DOOR FRE ASS'Y	SF-PVC	1	
9	DA63-20285A	GUARD-FRE	ABS	5	
10	6002-000468	SCREW-TAPPING	M5×18	2	
11	6002-000215	SCREW-TAP	M4×16	2	
12	DA63-50187B	SHIM-RISER	RD-PVC T 2.0	1	
13	DA71-40120A	STOPPER-DOOR	SM45C T 3.0	1	
14	DA66-90112A	CAM-HINGE	POM	1	
15	6001-00716	SCREW-MACHINE	MSWR10 + M5×16	2	
16	DA63-1092G	COVER-CONTROL FR ASS'Y	NTA	1	
17	DA67-10415A	CASE-CONTROL BASE	ABS	1	

15-5) Freezing Compartment (SR-S25/26NTA)



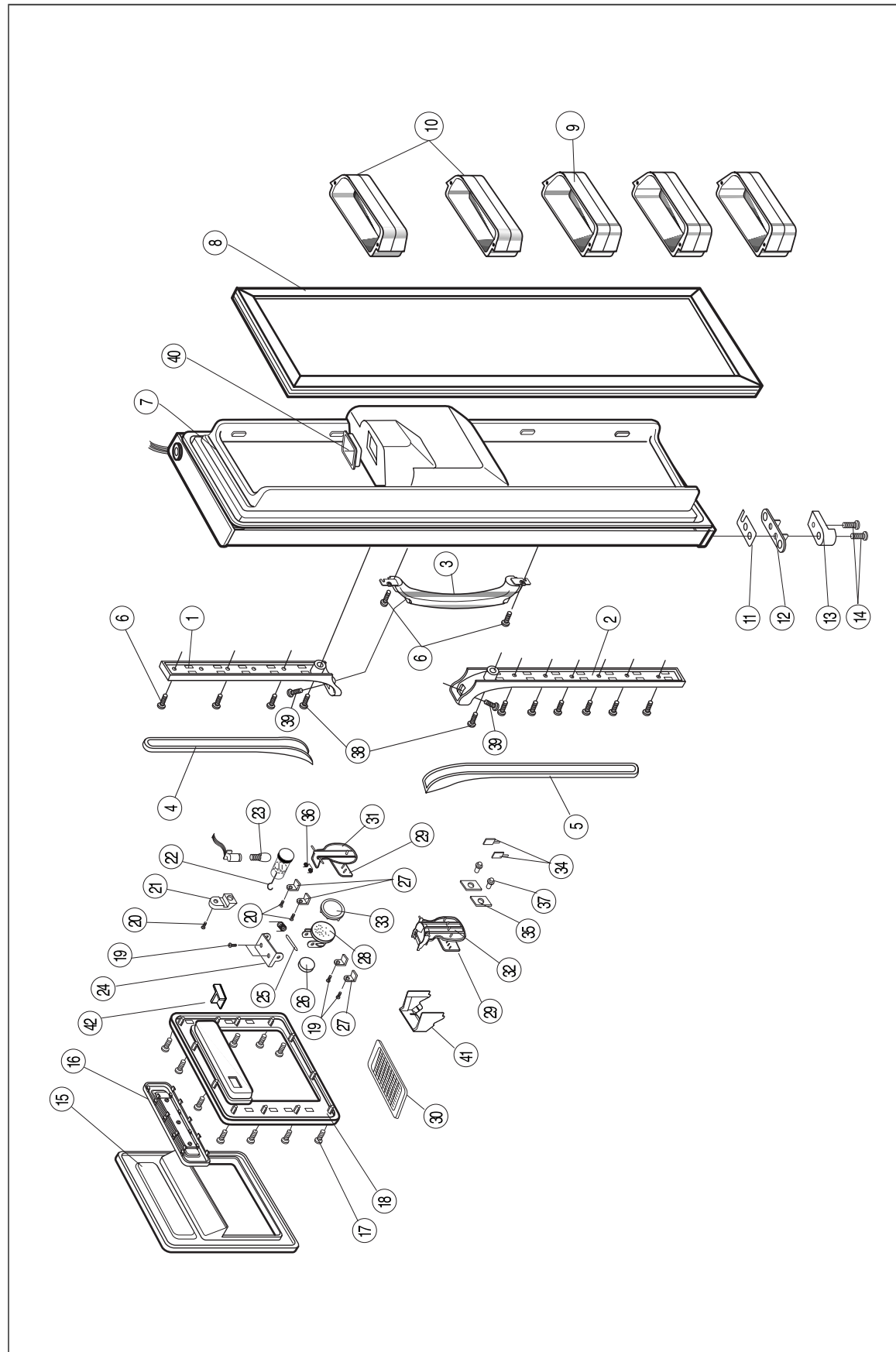
Parts List of Freezing Compartment (SR-S25/26NTA)

No	Code-No	Items	Specifications	Q'TY	Remarks
1	DA59-40211A	EVAPORATOR-FRE ASS'Y	220V/50, 60Hz	1	
	DA59-40211B	EVAPORATOR-FRE ASS'Y	240V/50Hz	1	
	DA59-40211F	EVAPORATOR-FRE ASS'Y	127V/60Hz	1	
	DA59-40211C	EVAPORATOR-FRE ASS'Y	115V/60Hz	1	
2	DA63-10955G	COVER-EVAP REAR ASS'Y	220V/50Hz,	1	
	DA63-10955K	COVER-EVAP REAR ASS'Y	240V/50Hz	1	
	DA63-10955L	COVER-EVAP REAR ASS'Y	127V/60Hz	1	
	DA63-10955J	COVER-EVAP REAR ASS'Y	115V/60Hz	1	
2-1	DA63-10934A	COVER-EVAP REAR, FRE	ABS SCRAP	1	
2-2	DA31-10109K	MOTOR-FAN	220V/50,60Hz,AMRHB-010WTEC	1	
	DA31-10109X	MOTOR-FAN	240V/50Hz,RHB-010UVEC	1	
	DA31-10109U	MOTOR-FAN	115V~127V/60Hz,RHB-010ZQNC	1	
2-3	DA31-20110A	FAN	ABS Ø110	1	
2-4	DA61-20128A	SPRING-FAN	STS27 ID 1.0 PI 7.8	1	
2-5	DA63-10459A	COVER-MOTOR	PP	1	
2-6	DA63-40119A	GROMMET-FAN MOTOR	NBR	2	
2-7	DA70-20185A	PLATE-EVAP BOTT, FRE	AL T0.6	1	
2-8	DA47-20198A	HEATER-P CORD	220V/30W	1	
	DA47-20198B	HEATER-P CORD	240V/30W	1	
	DA47-20198D	HEATER-P CORD	127V/30W	1	
	DA47-20198C	HEATER-P CORD	115V/30W	1	
2-9	DA72-60384A	SEAL-CUTT FOAM LEX(FRE)	FOAM - LEX + AL	1	
2-10	6002-000471	SCREW-TAPPING	TH 4×12 STS 304	1	
3	DA63-10956E	COVER-EVAP FRONT ASSY'(FRE)	NTA	1	
3-1	DA63-10935D	COVER-EVAP FRONT, FRE	PP(SC-93437R)	1	
3-2	DA63-40260A	GROMMET-BRACKET(LAMP)	NBR	2	
3-3	DA60-10106A	SCREW-TAPPING	TWH + 2S 4×16 STS 304	2	
3-4	DA71-50182A	BRACKET-CONTROL	SECC-P	1	
3-5	DA47-40001B	LAMP-HOLDER ASS'Y	PBT	1	
3-6	DA32-10104F	SENSOR-ASS'Y(FRE)	502AT	1	
3-7	DA63-10936A	COVER-SENSOR	ABS	1	
3-8	DA72-60385A	SEAL-FOAM PE(FRE)	FOAM-PE	1	
4	6002-000215	SCREW-TAP, TH	TH 4×16 ZPC	2	
5	4713-000194	LAMP	220V/60W	1	

No	Code-No	Items	Specifications	Q'TY	Remarks
5	4713-001054	LAMP	230V/60W	1	
	4713-001077	LAMP	125V/60W	1	
	4713-001053	LAMP	110V/60W	1	
6	DA67-30266D	CAP-SCREW	PP(SC-93437R)	4	
7	DA67-40203H	ASS'Y TRAY-ICE	NTA	1	
7-1	DA64-40111B	KNOB-TRAY ICE	ABS(SC-9343R)	2	
7-2	DA61-20136A	SPRING-ICE MAKER	STS 304 ID 1.0	2	
7-3	DA71-20268B	FIXER-TRAY ICE	ABS	1	
7-4	DA67-40168A	TRAY-ICE	PP(SC-93437R)	2	
8	DA63-10940A	COVER-LAMP, FRE	MIPS	1	
9	DA63-01003A	COVER-DUCT	PP(SC-93437R)	1	
10	DA67-10424C	CASE-BASKET ASS'Y(UPP)	NTA	1	
10-1	DA67-10421C	CASE-BASKET(UPP)	ABS SCRAP	1	
10-2	DA63-10938A	COVER-FRONT, A(UPP)	GPPS(CRYSTAL)	1	
10-3	DA63-10965C	COVER-FRONT, B(UPP)	ABS SCRAP(SC-93437R)	1	
11	DA67-10425C	CASE-BASKET ASS'Y(MID)	NTA	1	
11-1	DA67-10422B	CASE-BASKET(MID)	ABS SCRAP(SC-93437R)	1	
11-2	DA63-10937B	COVER-FRONT, A(LOW)	GPPS(CRYSTAL)	1	
11-3	DA63-10966D	COVER-FRONT, B(LOW)	ABS SCRAP(SC-93437R)	1	
12	DA67-10426C	CASE-BASKET ASS'Y(LOW)	NTA	1	
12-1	DA67-10420B	CASE-BASKET(LOW)	ABS SCRAP(SC-93437R)	1	
12-2	DA63-10937C	COVER-FRONT, A(LOW)	GPPS(CRYSTAL)	1	
12-3	DA63-10966E	COVER-FRONT, B(LOW)	ABS SCRAP(SC-93437R)	1	
13	DA67-20288A	SHELF-FRE(UPP)	ABS + Reinforced glass	2	
14	DA67-20287C	SHELF-FRE(LOW)	ABS + Reinforced glass	1	
15	DA61-60182B	RAIL-UPP, ASS'Y(R)	NTA	3	
15-1	DA61-60178A	RAIL-UPP, R	HIPS(SC-93437R)	1	
15-2	DA63-40256B	GROMMET-RAIL	NY-66	2	
16	DA61-60184B	RAIL-LOW, ASS'Y(R)	NTA	1	
16-1	DA61-60180A	RAIL-LOW, R	HIPS(SC-93437R)	1	
16-2	DA63-40256B	GROMMET-RAIL	NY-66	2	
17	DA61-60181B	RAIL-UPP, ASS'Y(L)	NTA	3	
17-1	DA61-60177A	RAIL-UPP, L	HIPS(SC-93437R)	1	
17-2	DA63-40256B	GROMMET-RAIL	NY-66	2	

No	Code-No	Items	Specifications	Q'TY	Remarks
18	DA61-60183B	RAIL-LOW, ASS'Y(L)	NTA	1	
18-1	DA61-60179A	RAIL-LOW, L	HIPS(SC-93437R)	1	
18-2	DA63-40256B	GROMMET-RAIL	NY-66	2	
19	6002-000213	SCREW-TAPPING	TH4 ×12 ZPC	12	

15-6) Door Parts List of Freezing Compartment (SR-S24FTA)



■Freezing Door Components List (SR-S24FTA)

No	Code-No	Items	Specifications	Q'TY	Remarks
1	DA64-10465A	HANDLE-BASE FRE UPP	Au coated	1	
2	DA64-10464A	HANDLE-BASE FRE LOW	Au coated	1	
3	DA64-10463A	HANDLE	POLY URETHANE	1	
4	DA64-10469A	HANDLE-TRIM FRE UPP	ABS	1	
5	DA64-10468A	HANDLE-TRIM FRE LOW	ABS	1	
6	6002-000213	SCREW(NORMAL)-TAPPING	M4 ×12	11	
7	DA91-10268A	ASS'Y-FOAM DOOR FRE	FTA	1	
8	DA63-30231A	GASKET-DOOR FRE ASS'Y	RD-PVC	1	
9	DA63-20270A	GUARD-FRE	ABS	3	
10	DA63-20273B	GUARD-FRE UPP	ABS	2	
11	DA63-50187B	SHIM-RISER	RD-PVC T2.0	1	
12	DA71-40150A	STOPPER-DOOR	SM45C T3.0	1	
13	DA66-90112A	CAM-HINGE	POM	1	
14	6001-000716	SCREW-MACHINE	MSWR10+M5 ×16	2	
15	DA63-10951B	COVER-TRIM RECFSS	ABS	1	
16	DA63-10962F	COVER-CONTROL FRE ASS'Y	FTA	1	
17	6002-000213	SCREW-TAPPING	1S 4 × 12TH	11	
18	DA64-20102B	TRIM-RECESS DISP	ABS Au coated	1	
19	6002-000471	SCREW-TAPPING	TH M4 × 12 STS 304	6	
20	6002-000213	SCREW-TAPPING	1S 4 × 12TH	1	
21	DA61-70234A	SUPT-TIME DILAY	HIPS, BLK	1	
22	DA92-90023A	ASS'Y AIR PUMP	SR-S7185	1	
23	4713-000186	LAMP-INCANDESCENT	220V/10W	1	
	4713-000195	LAMP-INCANDESCENT	240V/10W	1	
	4713-001078	LAMP-INCANDESCENT	110V/130V/9W/11W	1	
24	DA71-50209A	BRACKET-COVER, ICE ROUTE	STS 304	1	
25	DA60-90112A	PIN-SPECIAL	STS 304	1	
26	DA72-60367A	SEAL-FOAM LEX	T-BOARD	1	
27	DA71-50208A	BRACKET-SCREW	STS 304	4	
28	DA63-10759B	COVER-ICE ROUTE	HIPS	1	
29	DA66-30001B	LEVER DISPENSER, SUB	SILICON	2	
30	DA64-90124B	GRILL-RECESS	ABS	1	
31	DA66-30114B	LEVER-DISP(WATER)	ABS Au coated	1	
32	DA66-30113B	LEVER-DISP (ICE)	ABS Au coated	1	

No	Code-No	Items	Specifications	Q'TY	Remarks
33	DA63-30199A	GASKET-COVER ICE	SILICON	1	
34	DA34-10124A	SWITCH-MICRO	250V/5A	2	
35	DA63-10508C	COVER-MICRO SWITCH	ABS	2	
36	DA61-20143B	SPRING-DISP WATER	STS 304	1	
37	DA64-40006B	BUTTON-MICRO SWITCH	NORYL	2	
38	6002-000468	SCREW TAPPING	M5 × 18	2	
39	6002-000215	SCREW-TAP	M4 × 16	2	
40	DA67-30349A	CAP-CHUTE, ICE	ABS	1	
41	DA71-70166A	GUIDE-LEVER	SILICON	1	
42	DA63-10995A	COVER-LAMP(DISP)	MIPS	1	

15-7) FREEZING DOOR PARTS (SR-S25/27FTA)

