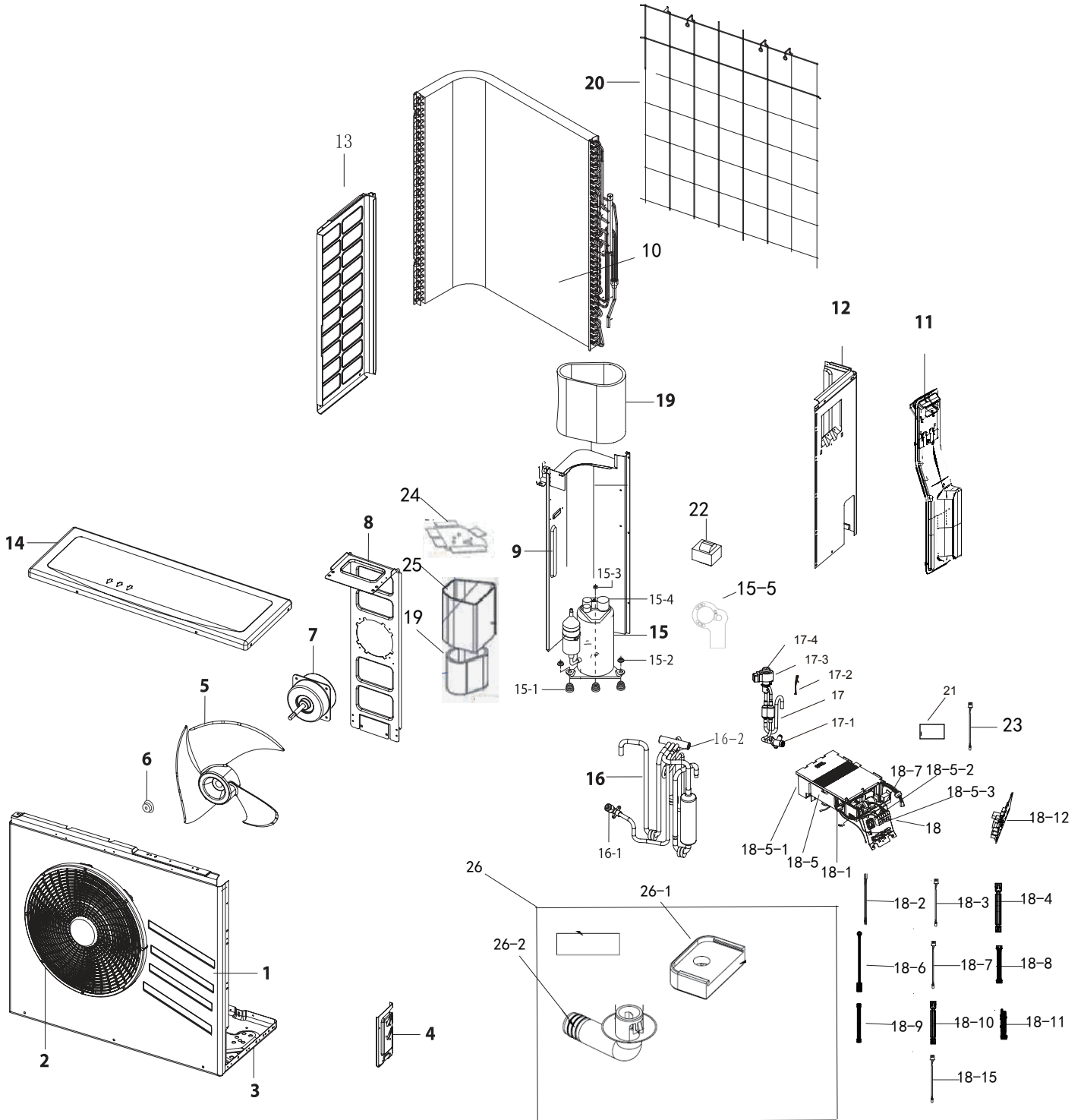


2. Outdoor Unit

AR18MSFPEWQXEU



No.	Parts Code	Parts Name	Description	Qty	Service
				AR18MSFPEWQXEU	
1	DB90-09632B	ASSY CABI FRONT	AR18MSFPEWQXEU,Q,GY0180	1	SA
2	DB63-03657A	GUARD FAN	PP,EARTH BROWN	1	SA
3	DB90-07169U	ASSY BASE OUT	AR18HSFSAWKXEU,SSEC	1	SA
4	DB61-05432B	BRACKET-VALVE PAINTING	PI,Q,GI-SGCC,1.5,1	1	SA
5	DB67-01408A	FAN PROPELLER	SAN+GF20%	1	SA
6	DB60-00437A	FASTENER-NUT FLANGE	SWRCH10A,14,1,2,6	1	SA
7	DB31-00642C	MOTOR BLDC FAN	RD-310-45-8B,310V,40W	1	SA
8	DB90-08338B	ASSY BRACKET MOTOR	Q,ASSY	1	SA
8-1	DB61-05885A	BRACKET MOTOR	F-XS-04,G-SGCC,T1.2,-	1	SA
9	DB94-03705D	ASSY PARTITION	Q Chassis,SSEC	1	SA
10	DB96-18249A	ASSY COND	Q COND,2R,FP1.5,corrugate-fin	1	SA
11	DB90-07459E	ASSY COVER-VALVE	AR18FSFTJWQXEU,SSEC,ASS	1	SA
12	DB90-07173N	ASSY CABINET-SIDE RH	RAC,SSEC	1	SA
13	DB90-07172G	ASSY CABI SIDE-LEFT	RAC,GY0180(Earth bro	1	SA
14	DB90-07183A	ASSY CABINET-UP	RAC,GY0180(Earth brown)	1	SA
15	UG9TK3150FE4SS	RCP,RCP,F,R410A	RCP,RCP,F,R410A	1	SA
15-1	DB63-03386A	GROMMET ISOLATOR	NR,33,11.5,34,BLACK	3	SA
15-2	DB60-30028A	NUT-FLANGE	HWH,M8,ZPC(WHT),SWRCH18A,P1.2	3	SA
15-3	6021-001142	NUT-HEXAGON FLANGE	M5,ZPC(WHT),SWRCH10A,	1	SA
15-4	DB63-02310A	COVER TERMINAL	SABIC N1250,2.5,-,BLACK,N	1	SA
15-5	DB63-00817B	GASKET	A/C model,SIR,T0.8,26.0,L80,A/C m	1	SA
16	DB96-23191A	ASSY TUBE 4WAY	AR18MSFPEWQXEU,SSEC	1	SA
16-1	DB62-02285A	VALVE SERVICE-SPINDLE	,.1/2"	1	SA
16-2	DB95-01612D	ASSY-SOLENOID	RAC,SSEC	1	SA
17	DB96-18246C	ASSY TUBE EEV	AR18MSFPEWQXEU,SSEC	1	SA
17-1	DB62-02283A	VALVE SERVICE-SPINDLE	,.1/4",R410A, FLAR	1	SA
17-2	DB81-00635A	SPRING ETC-SENSOR	DVM-SYSTEM,STS304,R2.5	1	SA
17-4	DB62-12124A	VALVE EXPAN	1.65,500	1	SA
18	DB92-04083A	ASSY KIT	OUTDOOR,PF2_17S,N-WW	1	SNA
18-1	DB92-04029B	ASSY PCB MAIN	MAIN,RAC_OUT_MAIN,142*48.5	1	SA
18-2	DB93-11244B	ASSY CONNECTOR WIRE	3,1331,14,BLU,MG6150	1	SA
18-3	DB93-09497E	ASSY CONNECTOR WIRE	3,1015,16,RED,MG6250	1	SA
18-4	DB93-16402A	ASSY CONNECTOR WIRE-COMM	2,1007,22,RED,Y	1	SA
18-5	DB90-08332F	ASSY CASE CONTROL	Q,PF2_17S,EMI	1	SNA
18-5-1	DB61-06722A	CASE CONTROL-OUT	ABS,T2.0,VICTORY GRAY,A	1	SNA
18-5-2	DB65-00274A	TERMINAL BLOCK	TERMINAL BLOCK,Polycarbon	1	SA
18-5-3	DB65-00298B	TERMINAL BLOCK	11R RAC-INVERTER,P.B.T +	1	SA
18-6	DB93-12121C	ASSY CONNECTOR WIRE	1,1015,18,YEL/GRN,ST	1	SA
18-7	DB93-16371A	ASSY CONNECTOR WIRE-POWER	2,1015,16,BRN,	1	SA
18-8	DB93-07452B	ASSY CONNECTOR WIRE-DC SIGNAL	8,1007,26,	1	SA
18-9	DB93-15320A	ASSY CONNECTOR WIRE-REACTOR	2,1015,16,WH	1	SA
18-10	DB93-16403A	ASSY CONNECTOR WIRE-AC SIGNAL	2,1015,18,	1	SA
18-11	DB95-05164B	ASSY THERMISTOR OUT	103AT,6P,650/610/850	1	SA
18-12	DB92-04025A	ASSY PCB INVERTER	INVERTER,PF#2_17S,142*	1	SA
19	DB63-02344A	FELT-COMP SIDE	,FELT/PVC,T10+T1.6,265.6	1	SA
20	DB63-03402A	GUARD-COND BAR	VVACE,Q195,EARTH BROWN/G	1	SA
21	DB82-03724A	AIS ASSY CH SET-EEPROM OUT	AR18MSFPEWQX,	0	SA
22	DB27-00042B	COIL HARMONIC	5mH,94*94*76.2,15A,Screw	1	SA
23	DB93-12121B	ASSY CONNECTOR WIRE-EARTH WIRE	1,1015,18	1	SA
24	DB63-03458A	FELT-COMP TOP OUT	RAC,FELT/PVC,T5+T1.6	1	SNA
25	DB63-02522A	FELT-COMP SOUND B	Q,FELT/PVC,T5(FELT)+T1	1	SNA
26	DB97-02066C	ASSY ACCESSORY	HP,NO,18000,NO,-,N,SH18AW	1	SA
26-1	DB67-01533A	RUBBER-LEG	All frame,NR,BLACK	4	SNA
26-2	DB67-20011A	DRAIN-PLUG OUT	ASH-1814ER,PP,NATURAL	1	SA