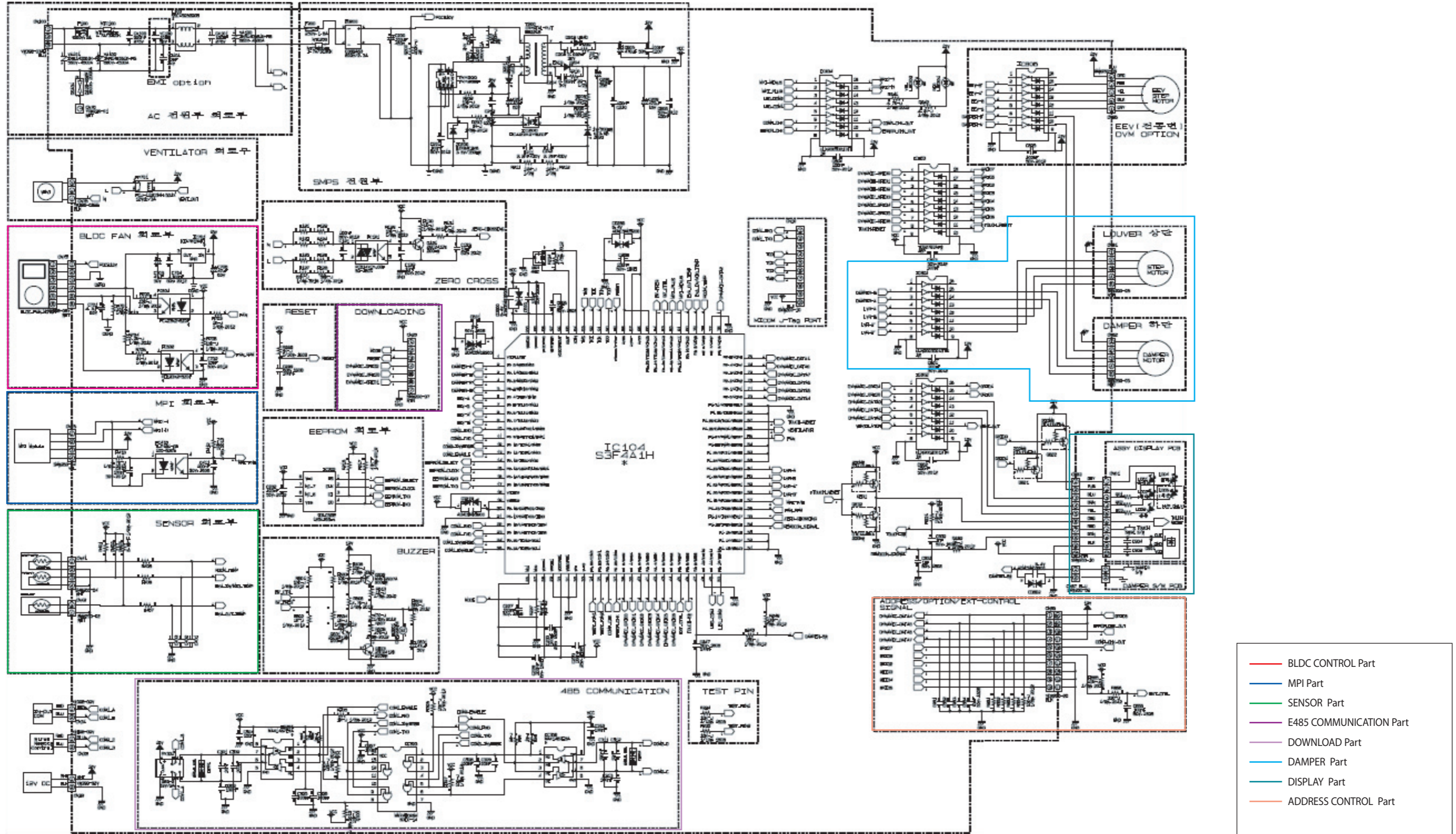


# 8. Schematic Diagram

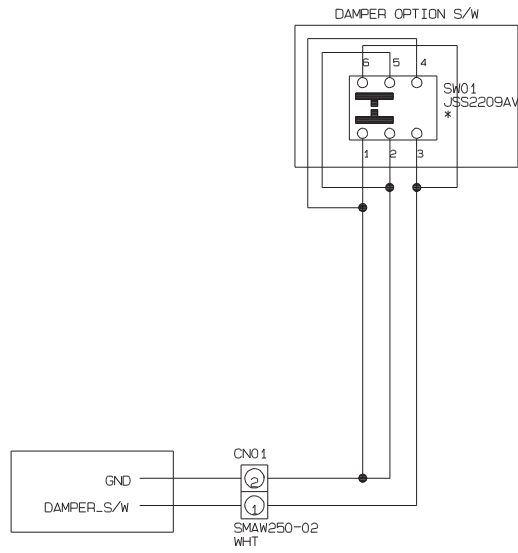
## 8-1 Indoor Unit

### 8-1-1 MAIN PCB



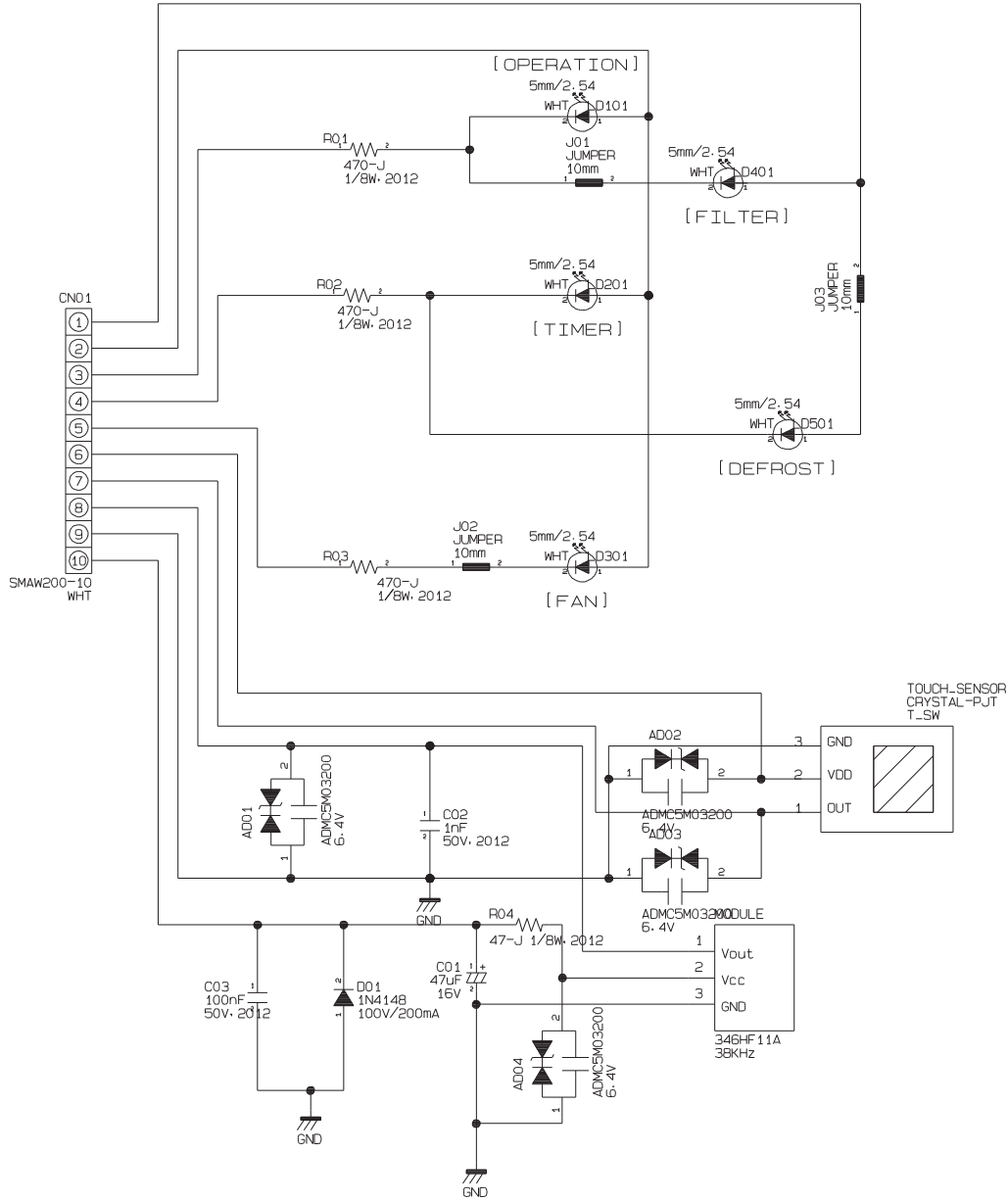
This Document can not be used without Samsung's authorization.

### 8-1-2 Damper



This Document can not be used without Samsung's authorization.

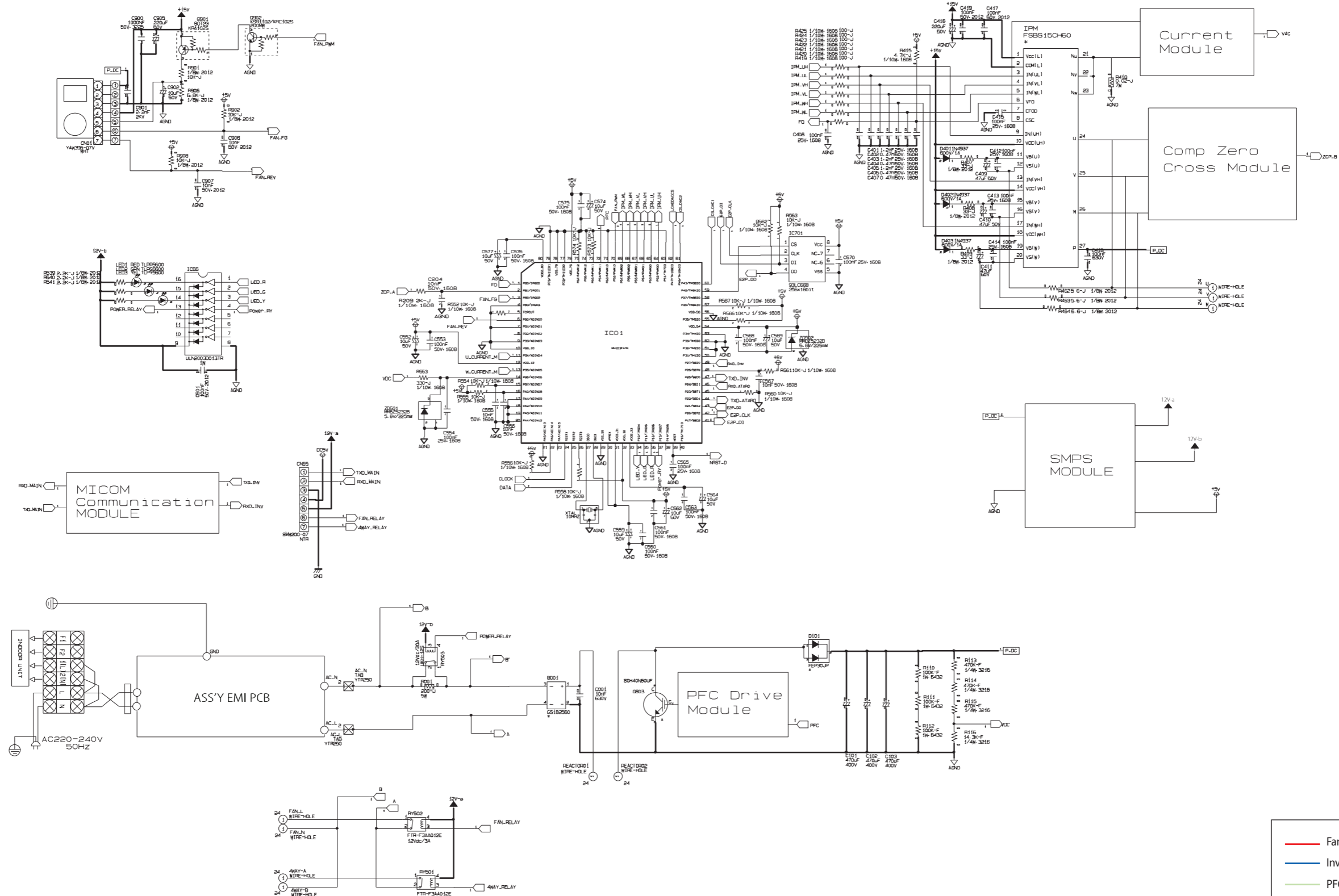
### 8-1-3 PCB Display



This Document can not be used without Samsung's authorization.

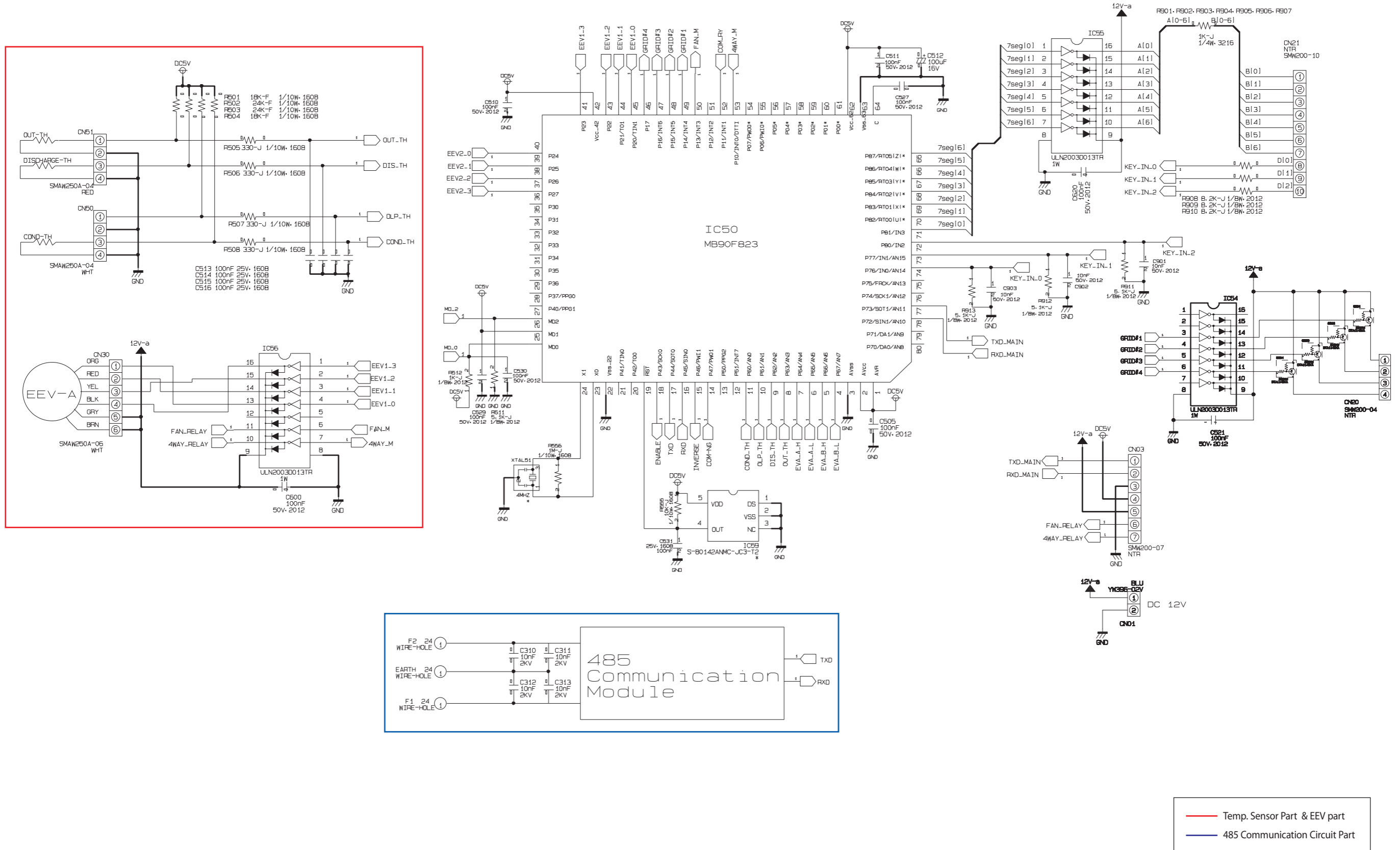
# 8-2 Outdoor Unit

## INVERTER



This Document can not be used without Samsung's authorization.

■ INVERTER (cont.)



This Document can not be used without Samsung's authorization.