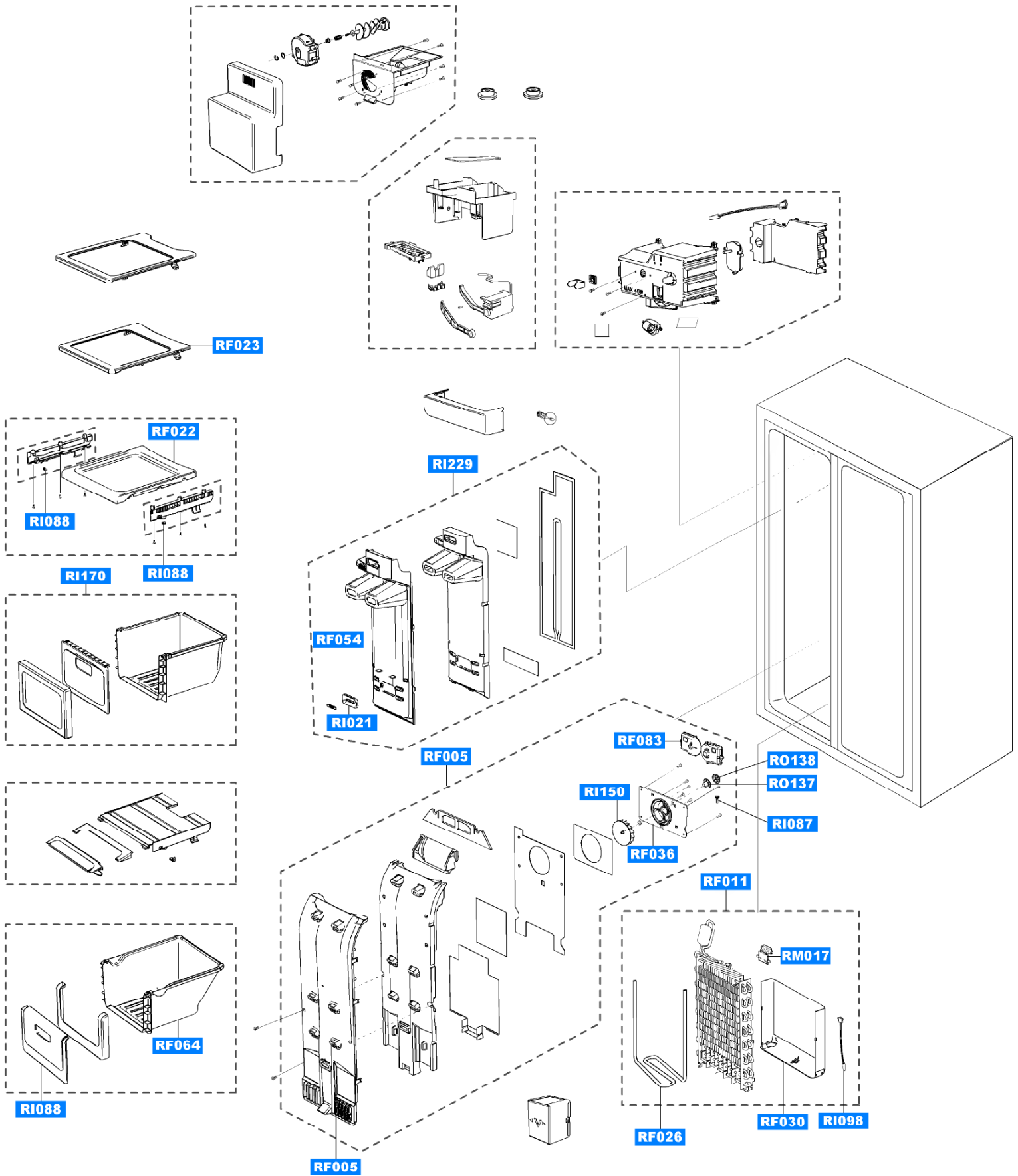
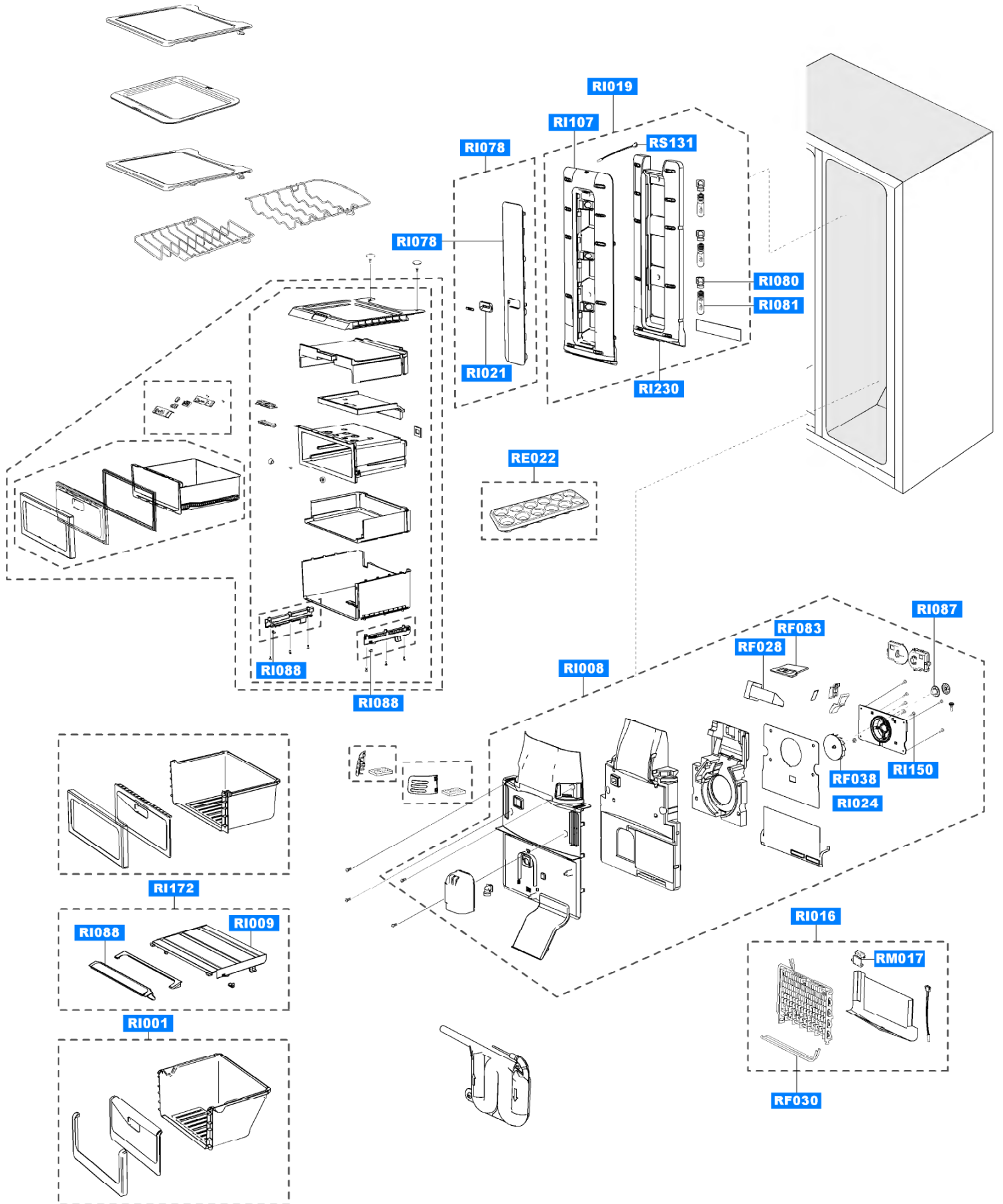


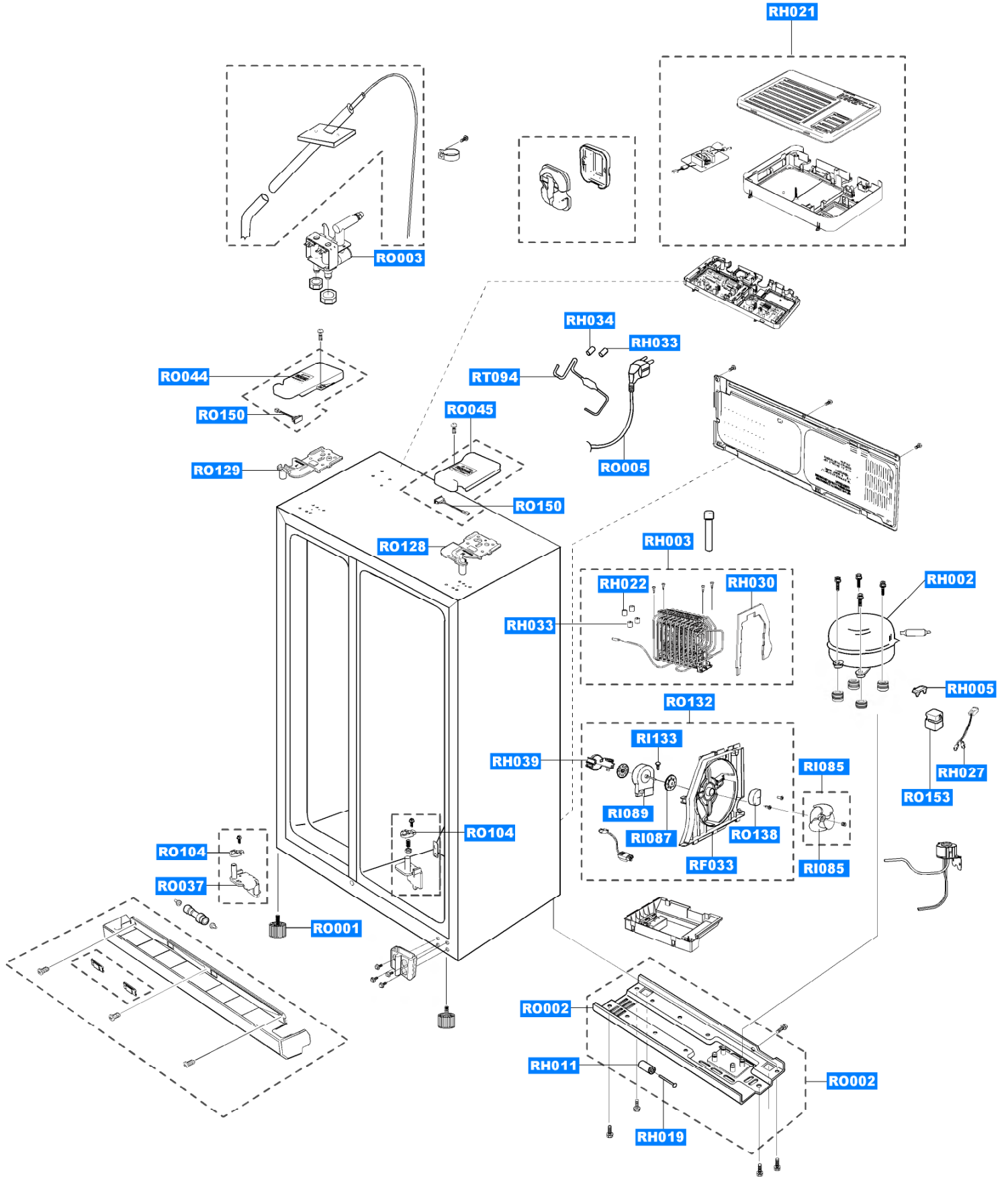
HERMES-PJT Freezer Room (RSH1N***)



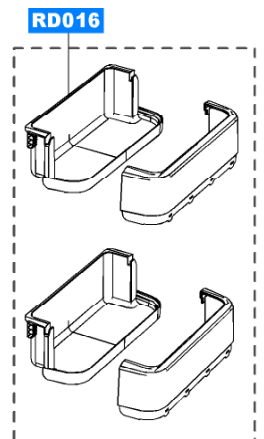
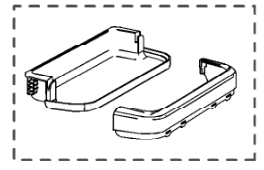
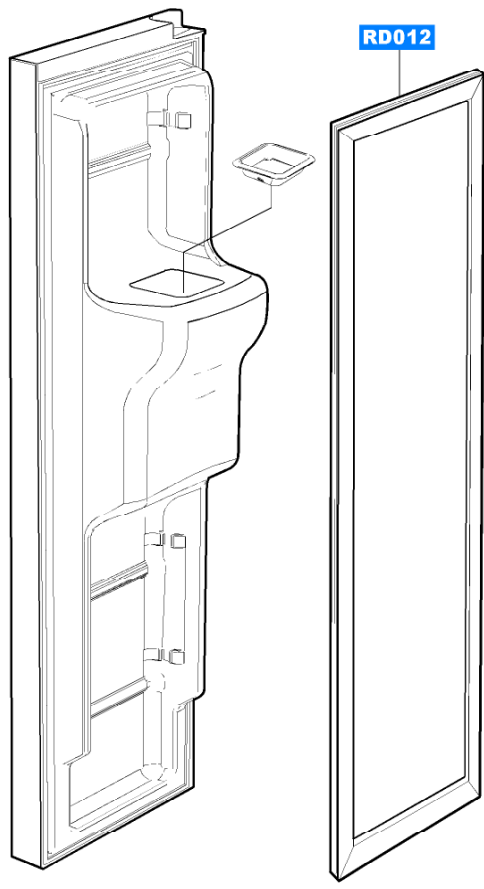
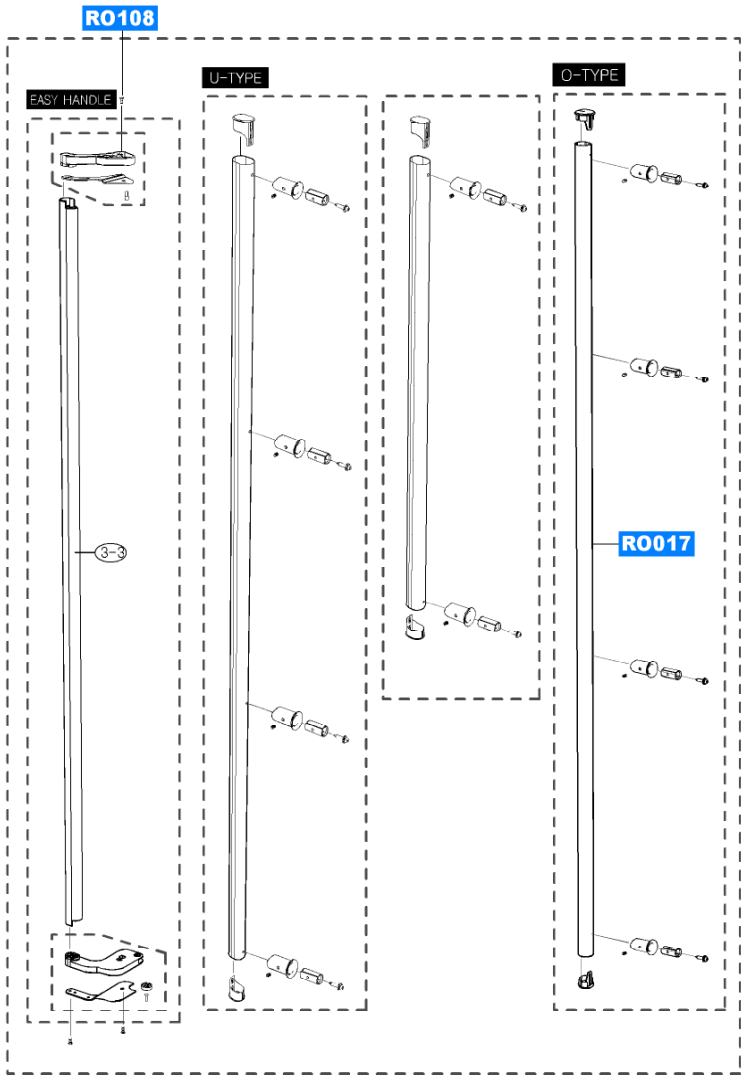
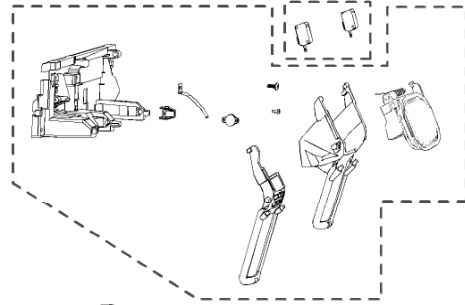
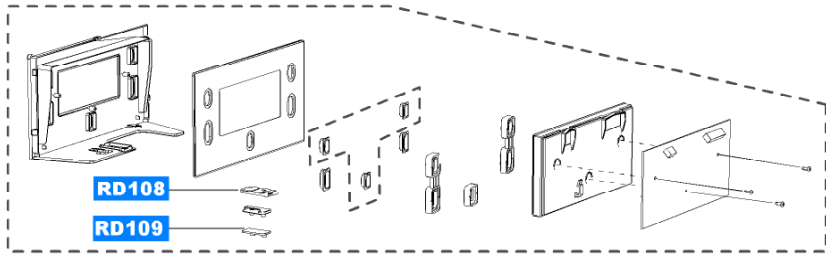
HERMES-PJT Refrigerator Room (RSH1N***)



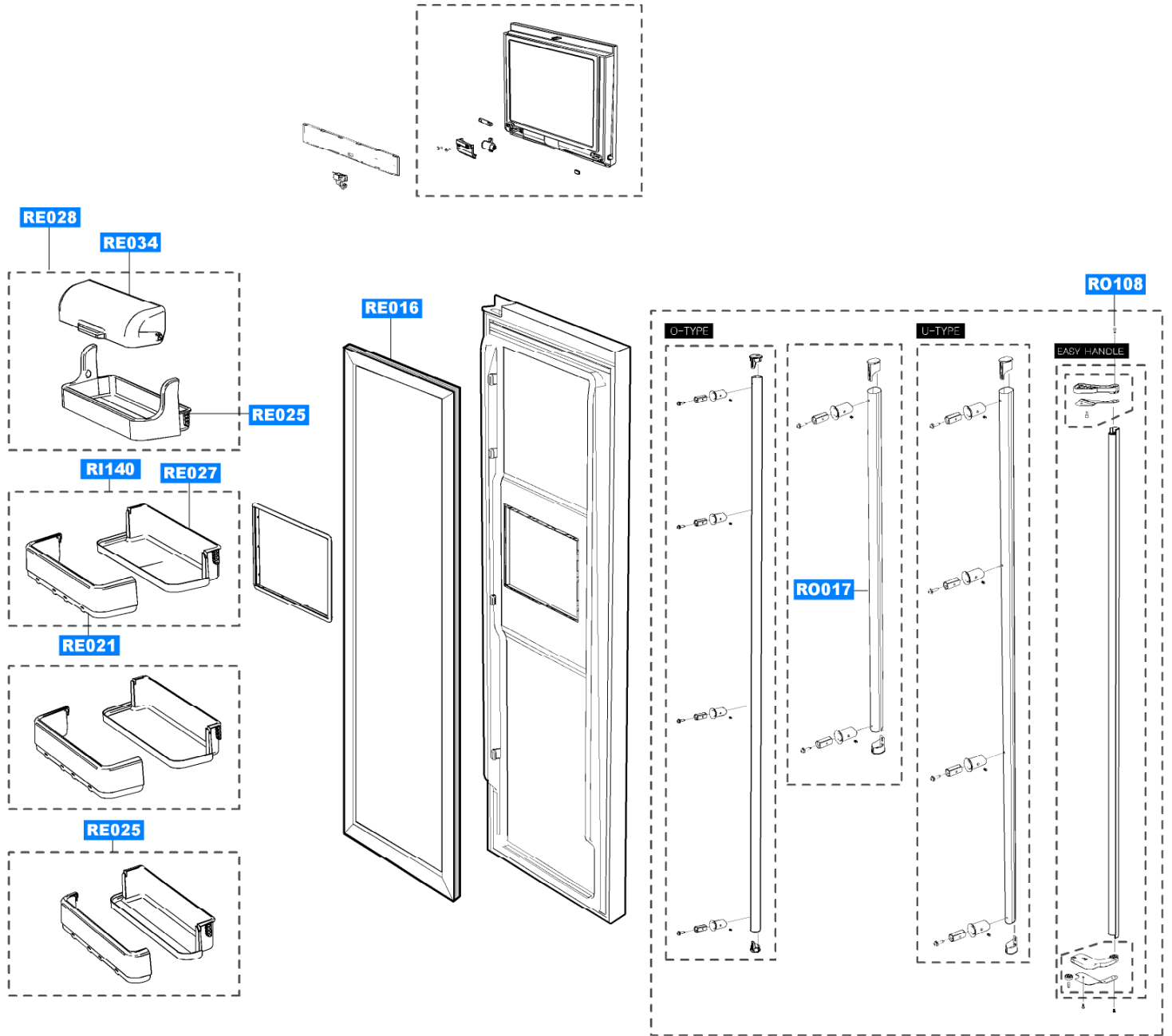
HERMES-PJT Cabinet (RSH1N***)



HERMES-PJT Freezer Room Door (RSH1N***)



HERMES-PJT Refrigerator Room Door (RSH1N***)



◇Part List

(Model Code : RSH1NHSW1/XES)

Location	Part Code	Part Name	Specification	SA/SNA
RD001	DA91-02527G	ASSY DOOR FOAM FRE	HERMES,SNOW WHITE,-,-	SA
RD012	DA97-04567C	ASSY-GASKET DOOR FRE	A-TOP,SC-97487,-,-	SA
RD016	DA63-03643A	GUARD-FRE LOW	HERMES PJT,PP,-,-,-,COOL W	SA
RD108	DA64-02127C	BUTTON-CONTROL A	HERMES,ABS,-,-,SC-04120	SA
RD109	DA64-02128C	BUTTON-CONTROL B	HERMES,ABS,-,-,(SC-0412	SA
RE001	DA91-02524G	ASSY DOOR FOAM REF	HERMES,SNOW WHITE,-,-	SA
RE016	DA97-04567D	ASSY-GASKET DOOR REF	A-TOP,SC-97487,-,-	SA
RE021	DA61-03601B	GUIDE-BOTTLE REF	HERMES,PP,T2.5,-,-,COOL	SA
RE022	DA63-03734A	TRAY-EGG	HERMES-PJT,GPPS,T2.5,W114.2,L3	SA
RE025	DA63-03533B	GUARD-DAIRY	HERMES PJT,ABS,T2.5,-,-,COOL	SA
RE025	DA63-03641A	GUARD-REF LOW	HERMES PJT,PP,-,-,-,COOL W	SA
RE027	DA63-03640A	GUARD-REF MID	HERMES PJT,PP,-,-,-,COOL W	SA
RE034	DA63-03534A	COVER-GUARD DAIRY	HERMES PJT,GPPS/HF2660	SA
RE037	DA64-01985A	MASCOT	SBS,AL,T1.6,-,L90,Fixing-type,	SA
RE043	DA61-00776A	STOPPER DOOR	N-PJT,SHP1,T3.0,-,-,-,-	SA
RF001	DA61-03459A	CASE-BASKET LOW	HERMES,SAN,-,-,-,TRP,1-P	SA
RF004	DA97-04084A	ASSY TRAY-ICE	NEXT,-,-,-,-,TWIST	SA
RF005	DA63-03592A	COVER EVAP-FRE	HERMES,PP,-,-,-,-,COOL	SA
RF005	DA97-05052B	ASSY-COVER EVAP FRE	HERMES,-,-,-,-	SA
RF011	DA96-00380A	ASSY EVAP-FRE	HERMES-PJT,-,A1070-H14,-,2	SA
RF022	DA67-01687A	SHELF-FRE LOW	HERMES-PJT,HIPS,T2.5,-,-,S	SA
RF023	DA67-01697A	SHELF FRE-MID	HERMES-PJT,P.P+GLASS,-,W30	SA
RF028	DA39-00060B	WIRE HARNESS-MOTOR	-,-,-,-,-,F-FAN,-,-	SA
RF030	DA47-00246A	HEATER-METAL SHEATH	-,HERMES-PJT,-,250W,	SA
RF030	DA47-00247A	HEATER-METAL SHEATH	-,HERMES-PJT,-,140W,	SA
RF031	DA63-03603A	COVER LAMP-FRE	HERMES,PP,-,-,-,-,-,BAS	SA
RF033	DA61-02788A	SUPPORT-CIRCUIT MOTOR	ET/A-TOP_VE,ABS,T2	SA
RF036	DA61-00417A	CASE MOTOR	A-TOP,ABS SCRAP,-,-,-,WHT,SBS	SA
RF038	DA31-00146E	MOTOR FAN-BLDC	DREP5020LB,BLDC Motor,0.2	SA
RF054	DA63-03602A	COVER-MULTI FRE	HERMES,PP,-,-,-,-,COOL	SA
RF064	DA63-03569A	COVER-BASKET LOW	HERMES,ABS,-,-,-,-,TR	SA
RF083	DA63-01809A	COVER MOTOR-BLDC	BLDC-NEW,PP,NTR,-,-,-,-	SA
RF117	DA61-02864A	FIXER-TRAY,ICE	NEXT,HIPS,-,COOL WHITE,TW	SA
RH001	DA63-03656A	COVER-COMP	HERMES-PJT,SBHG1,T0.35,W814,H	SA
RH002	MK4A5QR1U/E10	COMPRESSOR	220-240V?50HZ,RSCR,STATIC	SA
RH003	DA63-03069A	TRAY DRAIN-WATER	ET/A-TOP_VE,PP,T2.0,-,-	SA
RH003	DA97-03869A	ASSY TRAY-DRAIN WATER	ET/A-TOP_VE,-,-,-,-	SA
RH005	DA96-00270A	ASSY-RELAY PTC	12SP18A265RF330,130#/61#,	SA
RH009	DA61-01871A	CASTER	A-TOP,NY-66,O.D-35MM,-,-,-,-	SA
RH011	DA61-40126B	CASTER-REAR	REF-ALL,PP,-,PI 44,NTR,W22,-	SA
RH012	DA60-90124A	RIVET	-,MSWR10,OD6.0,-,-,L56,-,-,-	SA
RH019	DA60-90146A	PIN-CASTER	MSWR10,OD6.0,L40,ZPC2,SR-289-	SA
RH021	DA27-00014D	COIL FILTER	USP05(SRT768),5mH,-,27,83*60	SA
RH022	DA63-40128A	GROMMET-SUB COND	-,NBR,-,-,-,-,-,DARK-	SA
RH026	DA73-10190U	PIPE-CONNECT DISC,B	TD-PJT,C1220-T,-,6.3	SA
RH027	DA96-00174A	ASSY-HARNESS COMP	EPEL,WIRE-HARNESS MAIN	SA
RH033	DA63-40171B	GROMMET-SUCT PIPE A	-,NBR,OD20,ID4,L20,-	SA
RH034	DA63-40171D	GROMMET-SUCT PIPE B	RAIL L19.5,NR,-,OD20	SA
RH039	DA61-02355B	BRACKET-CIRCUIT MOTOR	ABS,NEXT,-,-,-,NTR	SA
RI001	DA61-03461A	CASE-VEG LOW	HERMES,SAN,-,-,-,TRP,1-PIEC	SA
RI001	DA97-05338B	ASSY-CASE VEG LOW	HERMES,SAN+TAPE ETC PE	SA
RI008	DA97-05247A	ASSY-COVER EVAP REF	HERMES-PJT,D,F-OPTIO	SA
RI009	DA63-03566A	COVER VEG-LOW	HERMES,ABS,-,-,-,-,TRP,-	SA
RI016	DA96-00379A	ASSY EVAP-REF	HERMES-PJT,-,A1070-H14,-,2	SA
RI019	DA97-05062B	ASSY-COVER MULTI REF	HERMES,LAMP-2EA,230	SA

◇Part List

(Model Code : RSH1NHSW1/XES)

Location	Part Code	Part Name	Specification	SA/SNA
RI021	DA63-03609A	COVER SENSOR	HERMES,ABS,-,-,-,-,COOL W	SA
RI024	DA63-03594A	COVER EVAP-REF	HERMES,PP,-,-,-,-,COOL	SA
RI039	DA67-01690A	SHELF REF-LOW	HERMES-PJT,HIPS,-,-,-,SC-0	SA
RI039	DA97-05140B	ASSY-SHELF REF LOW	HERMES-PJT,-,-,-	SA
RI040	DA67-01695A	SHELF REF-MID	HERMES-PJT,P.P+GLASS,-,W44	SA
RI045	DA47-00258A	HEATER-WATER TANK	-,HERMES,-,5W,-,230V,-	SA
RI074	DA47-00133G	THERMO BIMETAL-PROTECTOR	NEXT-PJT,PW-5,1	SA
RI078	DA63-03608A	COVER LAMP-REF	HERMES,PP,-,-,-,-,-,-	SA
RI078	DA97-05064A	ASSY-COVER LAMP REF	HERMES,-,-,-	SA
RI080	DA47-00257C	LAMP HOLDER	E14,240V,75W,-,-,PBT,-	SA
RI081	4713-001189	LAMP-INCANDESCENT	240V,-,30W,-,-,-,25x84	SA
RI081	4713-001201	LAMP-INCANDESCENT	230V,0mA,40W,FROST,0Lm	SA
RI085	DA31-00010F	FAN-ASS'Y	-,SBS,ABS+GLASS FIBER(GR-4010)	SA
RI087	DA63-40167A	GROMMET-COVER CHIL	T3.0,SILICON,-,-,-,-,	SA
RI088	DA63-00202C	GROMMET-RAIL	TD-PJT,NY-6,-,W10.7,L15,-,-	SA
RI089	DA31-00146B	MOTOR BLDC	DRCP5030LA,1560,-,DC12V,230mA	SA
RI098	DA32-00006B	SENSOR ASSY-REF	PX-41C,A TOP,-10C~35C,5V	SA
RI133	DA96-00042A	ASSY-HARNESS MOTOR	A-TOP UL(MOTOR),C-FAN	SA
RI140	DA97-05262A	ASSY GUARD-REF MID	HERMES PJT,-,-,-,-,-,	SA
RI150	DA31-00053A	FAN-BACKWARD	-,A-TOP,ABS,-,FRE	SA
RI150	DA31-00123A	FAN-BACKWARD	-,USP 05,ABS(HP-0760),-,2.0	SA
RI151	DA47-40001C	LAMP HOLDER-ASSY	E26,-,1A,-,-,PBT(5VA),U	SA
RI170	DA97-05336B	ASSY-CASE BASKET LOW	HERMES,SAN+TAPE ETC	SA
RI172	DA97-05100B	ASSY-COVER SLIDE VEG	HERMES,1PIECE,-,-	SA
RI229	DA62-01450A	INSULATION-MULTI FRE	HERMES,FOAM PS,-,-,-	SA
RI230	DA62-01445A	INSULATION-MULTI REF	HERMES,FOAM PS,-,-,-	SA
RM009	DA61-20136A	SPRING ETC-ICE MAKER	SR-53EA,STS304,P110	SA
RM011	DA63-00819B	TRAY ICE-(BASIC)	A-TOP,PP,Cool-white,SC-	SA
RM013	DA61-02865A	CASE-TRAY,ICE	NEXT,PP,-,-,-,-,TWIST	SA
RM015	DA61-02863B	SUPPORT-TRAY,ICE	NEXT,ABS,-,-,-,-,COOL-WHI	SA
RM017	DA61-00453A	FIXER-SENSOR	A-TOP,EVAP,PP,-,NTR,ALL	SA
RM017	DA61-00603A	FIXER-SENSOR	n-PJT,PP,-,-,-	SA
RM021	DA64-01264C	TRIM-BLADE	ET/A-TOP_VE,PVC,-,T1.5,-,-,-	SA
RO001	DA61-30102A	FOOT-FRONT	SR-F5670,PP,-,YEL,T0.6,-,ZPC2	SA
RO002	DA97-03971C	ASSY CHASSIS-COMP	ET-VE,-,-,W255.5,L895.	SA
RO003	DA63-03531A	COVER LEG-FRONT	HERMES,PP,T2.5,-,-,-,-,S	SA
RO005	DA39-10115D	CBF-POWER CORD	UCP-2,250V,10/16A,L2100,-	SA
RO007	DA41-00470A	PBA MAIN	HERMES-PJT,TOP OF REF,FR-1,247	SA
RO017	DA64-02234A	HANDLE-BAR	HERMES,ABS,-,-,923.5,-,-,ELLI	SA
RO037	DA97-04107A	ASSY HINGE LOW-L	ET-PJT,T4.5,W80.4,L57.8	SA
RO038	DA61-01608B	HINGE-LOW R	A-TOP/USP,SHP1,T4.5,-,-,BLK-	SA
RO044	DA63-03529A	COVER-HINGE UPP L	HEMRES,ABS,T2.5,-,-,-,-	SA
RO045	DA63-03530A	COVER HINGE-UPP R	HEMRES,ABS,T2.5,-,-,-,-	SA
RO058	DA67-01777A	CAP-HANDLE	HERMES,ABS,T2,-,-,NTR,-	SA
RO076	DA61-03614A	BRACKET-HINGE LOW	HERMES,AL(6063),T3.0,-	SA
RO086	DA67-30266K	CAP-SCREW	A-TOP,PP,SC-02740R,-,-,Cool-wh	SA
RO104	DA66-00343A	CAM-RISER	USP05(ATOP,ET),NY-66(2110R),BL	SA
RO105	DA66-00344A	CAM-HINGE RISER LOW	USP05(ATOP,ET),NY-66	SA
RO108	6001-000715	SCREW-MACHINE	TH,+,-,M5,L16,ZPC(WHT),SWR	SA
RO108	6001-000725	SCREW-MACHINE	TH,+,-,M4,L16,ZPC(WHT),SWR	SA
RO128	DA61-03355A	HINGE-UPP R	HERMES,SHP1,T3.0,-,-,BLACK,-	SA
RO129	DA61-03354A	HINGE-UPP L	HERMES,SHP1,T3.0,-,-,BLACK,-	SA
RO132	DA97-03870B	ASSY SUPPORT-CIRCUIT MOTOR	ET/ATOP_VE,-	SA
RO137	DA63-01808A	GROMMET-MOTOR,FRONT	BLDC,NBR,BLACK,-,-,-	SA
RO138	DA63-01146A	GROMMET-MOTOR,REAR	A-TOP,NBR,-,-,-,ID6.5	SA

◇Part List

(Model Code : RSH1NHSW1/XES)

Location	Part Code	Part Name	Specification	SA/SNA
RO138	DA97-02895D	ASSY-COMP SUB	HERMES-PJT,MK4A5QR1U/E10,-	SA
RO141	DA61-02657A	CLIP-DRYER	AD,SECC1,T0.4,-,-	SA
RO147	DA61-01887B	BRACKET-SHIM HINGE LOW	RD-PVC,AD,T1,-,-,	SA
RO147	DA97-01763D	ASSY HINGE LOW R	USP,-,A-TOP,NEW-SHAFT,N	SA
RO150	DA34-00043A	SWITCH REED-ASS'Y	200VDC,1.5,-	SA
RO153	2301-001848	C-FILM,LEAD	5000nF,-5/10%,450V,Bulk,50x2	SA
RO160	DA62-01268A	TUBE-PVC	A-TOP,SF-PVC,T0.7,OD19.4,L215,	SA
RQ565	DA63-02017A	GROMMET-COMP	QUEEN,EPDM,-,-,-,-,-,-	SA
RQ747	6009-001252	SCREW-SPECIAL	PH,+,-,M4.0,L20(12),ZPC(WH	SA
RS020	6001-001377	SCREW-MACHINE	TH,+,-,M5,L25,ZPC(WHT),SWR	SA
RS073	6006-001083	SCREW-TAPPING	TH,+,-,M4,L16,ZPC(WHT),	SA
RS080	6002-000216	SCREW-TAPPING	TH,+,-,1,M4.0,L20,ZPC(WHT)	SA
RS080	6002-000470	SCREW-TAPPING	TH,+,-,1,M4,L10,ZPC(WHT),S	SA
RS080	6002-000630	SCREW-TAPPING	PH,+,-,2S,M3,L8,ZPC(WHT),S	SA
RS080	6003-000003	SCREW-TAPTITE	BH,+,-,B,M4,L10,ZPC(BLK),S	SA
RS080	6006-001170	SCREW-TAPPING	TH,+,-,WT,TC,M4,L10,ZPC(WHT)	SA
RS082	6003-001435	SCREW-TAPTITE	HWH,+,-,S,M5,L12.7,ZPC(WHT)	SA
RS092	DA32-10105U	SENSOR ASSY	502AT,A-TOP,-50~50,5V,-,-,RO	SA
RS111	DA32-00006D	SENSOR TEMP-F DEF SENSOR	PX-41C,EXPORT,-	SA
RS131	DA32-10105H	SENSOR-ASSY	502AT,K-PJT,-10~35,5V,5KOHM,	SA
RT091	DA97-05347G	ASSY-HANDLE BAR	HERMES,ABS, L928.5, ELLI	SA
RW074	DA60-20008A	BOLT-HEX	-,S25C,-,L42.6,-,-,-,-,-	SA
RW077	6011-001442	BOLT-SOCKET	M8,L15,ZPC(BLK),SCM435,-	SA
RW389	DA63-00951C	GROMMET-DRAIN HOSE	V2-PJT,NBR,-,-,-,-,-,-	SA
RW524	DA64-00158B	KNOB-TRAY ICE	A-TOP,HIPS,Cool-white,SC-0	SA
RW555	6021-001125	NUT-HEXAGON	3,M8, P1.25,ZPC(BLK),SWRCH10	SA
RW664	6009-001255	SCREW-HEX	HEX-PLANGE,HEX,-,M6,L16,ZPC(WH	SA
RW664	DA60-10004A	SCREW-HEX	HWH,-,-,M6,L16,ZPC(WHT),SWRCH1	SA
RW716	DA61-20128A	SPRING ETC-FAN	-,STS304,PI7.8,-,OD1.0,-,	SA
RW788	0203-001678	TAPE-POLY	204C,T0.07,W50,L50000,BLUE,-	SA
RZ020	DA73-10190V	PIPE-CONNECT DISC,A	TD-PJT,C1220T 1/2H,-	SA
	DA41-00456B	PBA DISPLAY-LED PANEL PBA	HERMES-PJT,R-D	SA
	DA61-02353A	BRACKET CONDENSER-SIDE	NEXT,SCP1,T1,-,-,	SA
	DA61-02795A	BRACKET-CONDENSER UP	ET/A-TOP_VE,SCP1,T1	SA
	DA61-02796A	BRACKET-CONDENSER LOW	ET/A-TOP_VE,SCP1,T	SA
	DA61-03363A	CASE-PBA MAIN	HERMES,PP,-,-,-,WHITE,NONF	SA
	DA61-03403A	BRACKET-HANDLE	HERMES,SWRC10A,-,-,-,-,FH	SA
	DA61-03412A	RAIL-BOX R	HERMES-PJT,HIPS,-,-,-,SC-0274	SA
	DA61-03413A	RAIL-BOX L	HERMES-PJT,HIPS,-,-,-,SC-0274	SA
	DA61-03458A	CASE-BASKET HIGH	HERMES,SAN,-,-,-,TRP,1-	SA
	DA61-03460A	CASE-VEG HIGH	HERMES,SAN,-,-,-,TRP,1-PIE	SA
	DA61-03622A	BRACKET-FIXER HOUSING	HERMES,GALVANUM,TO	SA
	DA61-03623A	PLATE-MULTI FRE HIGH	HERMES,PP,-,-,-,NTR	SA
	DA61-03636A	STOPPER-HANDLE	CULLINAN,SK5,-,-,-,-,-	SA
	DA61-03726A	SUPPORT-HANDLE	HERMES,NY66,-,-,-,NTR,-	SA
	DA62-00717N	SEAL-COVER PBA MAIN	HERMES,FOAM-PE,-,T3,	SA
	DA62-00985D	SEAL-BAG,PE	NEXT,NITRON+HDPE,WHITE,T0.5,	SA
	DA62-01440A	INSULATION EVAP-FRE A	HERMES,FOAM PS,-,-	SA
	DA62-01441A	INSULATION EVAP-FRE B	HERMES,FOAM PS,-,-	SA
	DA62-01446A	INSULATION EVAP-REF A	HERMES,FOAM PS,-,-	SA
	DA62-01447A	INSULATION EVAP-REF B	HERMES,FOAM PS,-,-	SA
	DA63-03151A	COVER-TRAY,ICE	NEXT,HIPS,-,-,-,-,COOL	SA
	DA63-03545A	COVER-PBA MAIN	HERMES,SBHG1,T0.4,-,-,-,-	SA
	DA63-03574A	COVER-PBA PANEL	HERMES,PP,T1.8,-,-,-,-,W	SA
	DA63-03579A	COVER-CONTROL FRONT FRE	HERMES,ABS,T2.0,	SA

◇Part List

(Model Code : RSH1NHSW1/XES)

Location	Part Code	Part Name	Specification	SA/SNA
	DA63-03584A	GROMMET-BUTTON CONTROL A	HERMES,SILICON,	SA
	DA63-03605A	COVER-DEODORIZER L	HERMES,PP,-,-,-,-,-,C	SA
	DA63-03606A	COVER-DEODORIZER R	HERMES,PP,-,-,-,-,-,C	SA
	DA63-03637A	COVER-SLIDE BASKET	HERMES,SAN,-,-,-,-,-,	SA
	DA63-03638A	COVER-SLIDE VEG	HERMES,SAN,-,-,-,-,-,TRP	SA
	DA63-03639A	GUARD-REF TOP	HERMES PJT,PP,-,-,-,COOL W	SA
	DA63-03642B	GUARD-FRE TOP	HERMES PJT,PP,-,-,-,COOL W	SA
	DA64-02141A	TRIM-SENSOR	HERMES,ABS,-,-,-,COOL WHT,-	SA
	DA64-02215A	TRIM-HUMIDITY VEG	HERMES,PP,-,-,-,WHITE,	SA
	DA64-02230A	TRIM-HUMIDITY REF	HERMES,PP,-,-,-,WHITE,	SA
	DA67-01672A	CAP-INS EVAP REF B	HERMES,HIPS,-,-,-,NTR	SA
	DA67-01694A	SHELF REF-TOP	HERMES-PJT,P.P+GLASS,T2.0,	SA
	DA67-01698A	SHELF FRE-TOP	HERMES-PJT,P.P+GLASS,-,W30	SA
	DA67-01810A	CAP-SUPT HANDLE	HERMES,ABS,-,-,-,SC-9752	SA
	DA96-00286A	ASSY W/HARNESS-LAMP REF	CORE,W/H LAMP	SA
	DA97-03962A	ASSY PIPE-SIPRAL COND	ET/A-TOP_VE,-	SA
	DA97-03973A	ASSY REINF-FLANGE UPP	ET_VE,-,-,-,-,-	SA
	DA97-04045A	ASSY TUBE-DRAIN	ET-PJT,SOFT-PVC	SA
	DA97-04081A	ASSY-FIXER TRAY ICE	NEXT,TWIST	SA
	DA97-04082A	ASSY CASE-TRAY,ICE	NEXT,-,-,-,-,-,TWIST	SA
	DA97-04979A	ASSY COVER HINGE-UPP R	HERMES,-,-,-,-,-,	SA
	DA97-04980A	ASSY COVER HINGE-UPP L	HERMES,-,-,-,-,-,	SA
	DA97-05103A	ASSY-COVER SLIDE BASKET	HERMES,PIECE,-,	SA
	DA97-05141A	ASSY-SHELF FRE LOW	HERMES-PJT,-,-,-,-	SA
	DA97-05169A	ASSY-COVER CONTROL FRONT FRE	HREMES-PJT,	SA
	DA97-05202B	ASSY-COVER-COMP	HERMES-PJT,SBHG1,T0.35	SA
	DA97-05233A	ASSY RAIL-BOX L	HERMES-PJT,T2.0,W17,L260	SA
	DA97-05234A	ASSY RAIL-BOX R	HERMES-PJT,T2.0,W17,L260	SA
	DA97-05334A	ASSY-COVER MULTI FRE	HERMES,BASIC,-,-,-	SA
	DA97-05335B	ASSY-CASE BASKET HIGH	HERMES,SAN+TAPE ET	SA
	DA97-05337B	ASSY-CASE VEG HIGH	HERMES,SAN+TAPE ETC P	SA