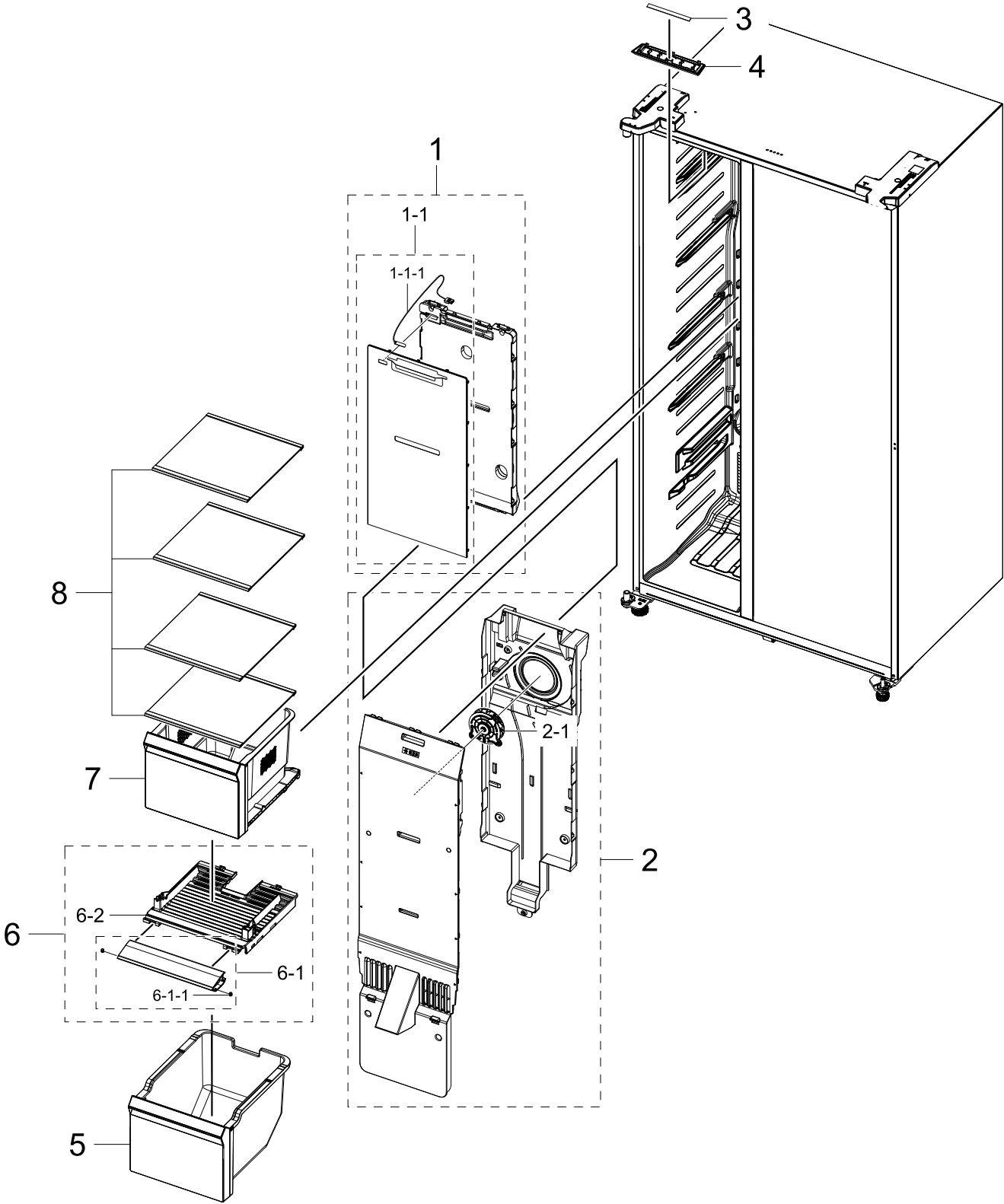


1. Freezer

Freezer

Exploded View



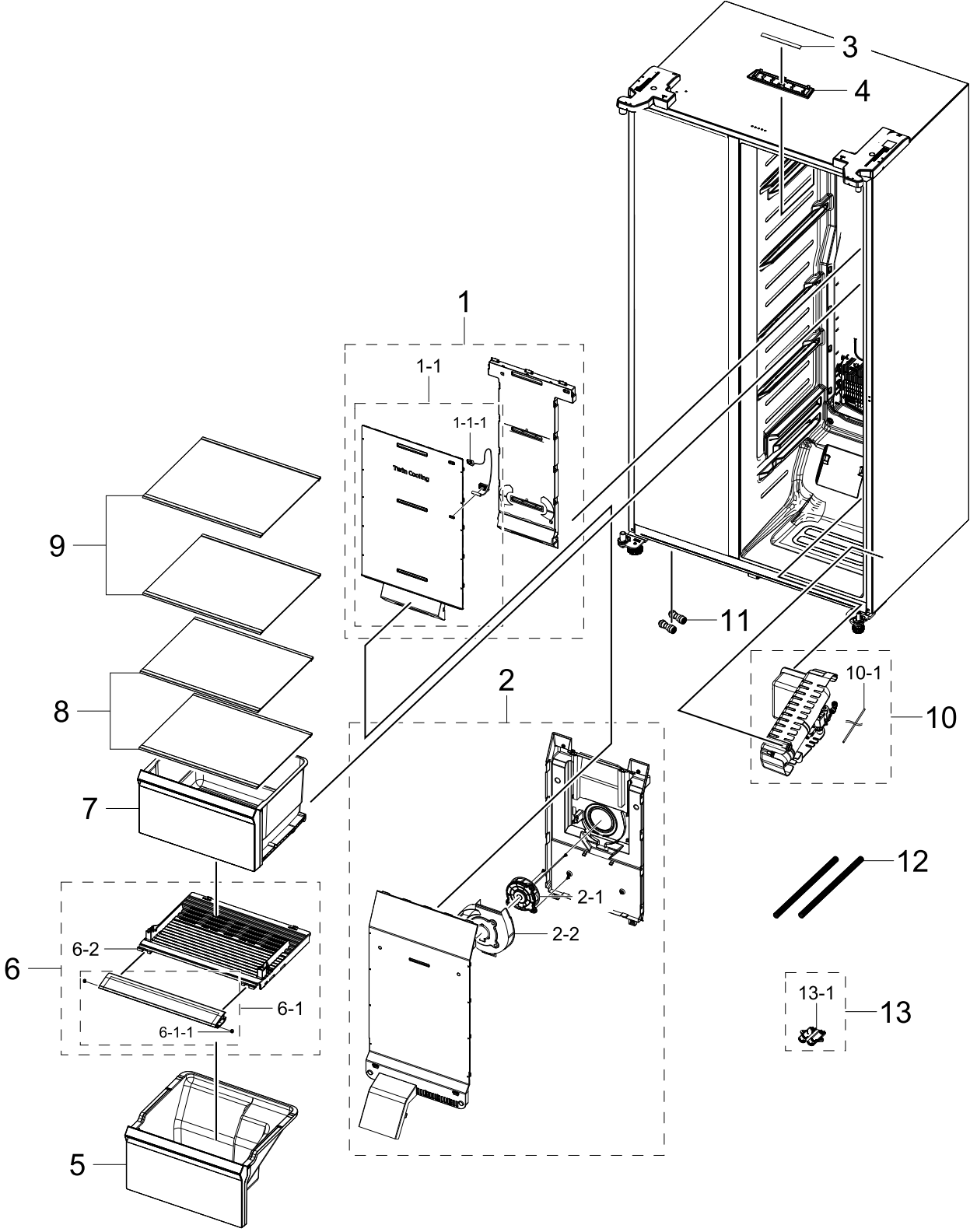
Parts List

No.	Lvl.	Loc.	Material Code	Description & Specification	SNA	Qty.
1	2	M0304	DA97-21679B	ASSY COVER MULTI-FRE; RS8000 Relaunch,No	SA	1
1-1	3	M0240	DA97-21678A	ASSY COVER MULTI-FRE FRONT; RS8000 Relaun	SNA	1
1-1-1	4	A1018	DA32-00070C	SENSOR TEMP; SC41200-021A,L250,13.2kohm,2	SA	1
2	2	M0303	DA97-21681A	ASSY COVER EVAP-FRE; RS8000 Relaunch	SA	1
2-1	3		DA31-00334D	MOTOR BLDC FAN; 12035GE-12M-YT,1775 7%,1	SA	1
3	2		DA96-01119A	ASSY LAMP LED; 3EA,FR-4,150*12,WHITE,SMAW	SA	1
4	2		DA97-21569A	ASSY COVER LAMP; RB7300T,COVER LAMP, ASSY	SA	1
5	2	A1186	DA97-19211D	ASSY CASE BASKET-LOW; RS8000AC,TP BLUE,No	SA	1
6	2		DA97-19217B	ASSY COVER SLIDE; RS8000AC,FRE, GPPS, TP	SA	1
6-1	3		DA97-19505B	ASSY COVER SLIDE; RS8000AC,FRE, GPPS, TP	SNA	1
6-1-1	4		DA63-07113A	GROMMET-COVER SIDE; HM12,Si	SA	2
6-2	3		DA61-13023A	FIXER COVER-FRE; RS8000NC,HIPS,NATURAL,57	SNA	1
7	2		DA97-19210D	ASSY CASE BASKET-UP; RS8000AC,TP BLUE,No	SA	1
8	2		DA97-16364J	ASSY SHELF-FRE LOW; RS8000AC,WIHITE TRIM	SA	4

2. Fridge

Fridge

Exploded View



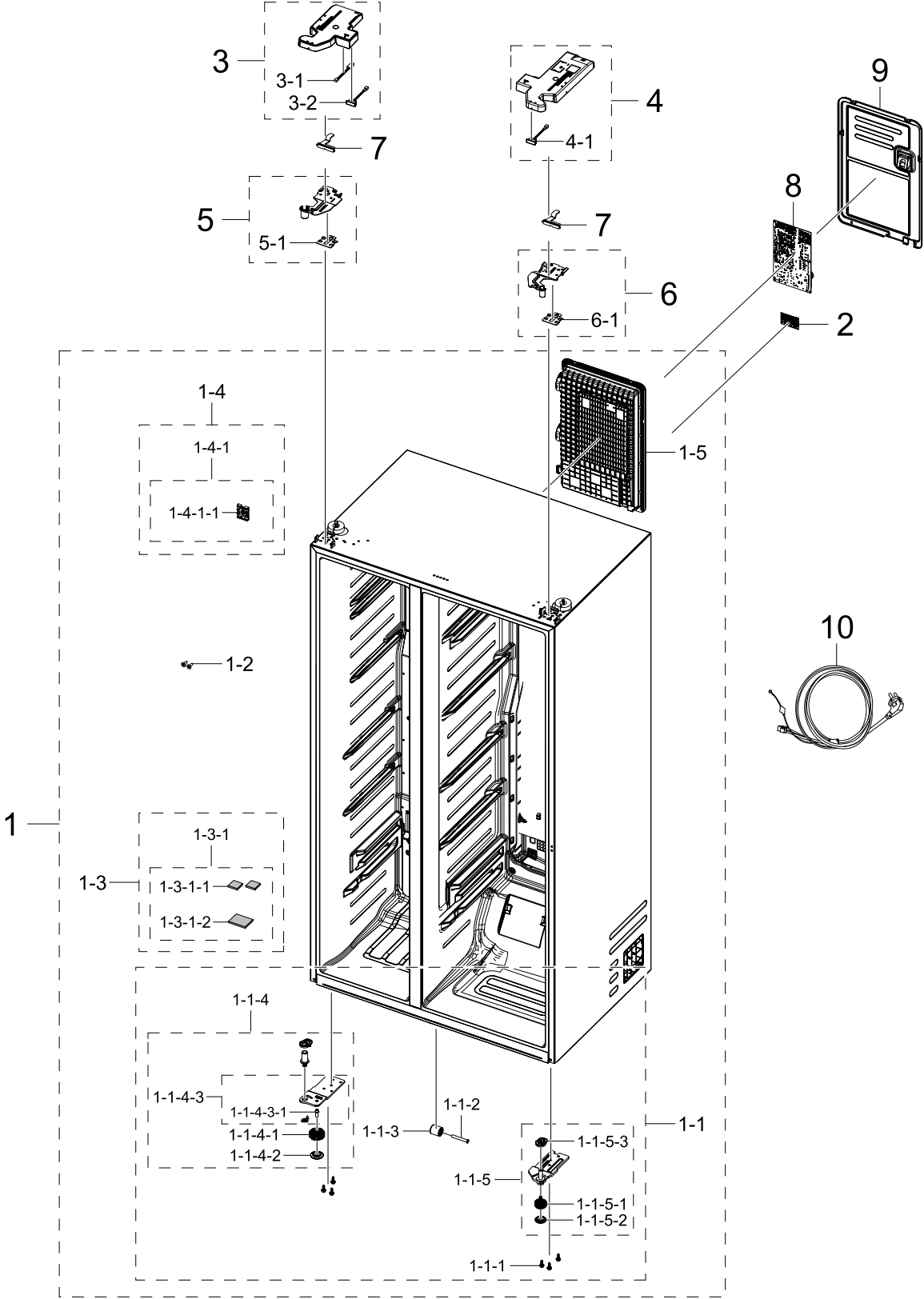
Parts List

No.	Lvl.	Loc.	Material Code	Description & Specification	SNA	Qty.
1	2	G0239	DA97-19189D	ASSY COVER MULTI-REF; RS8000 Relaunch,No	SA	1
1-1	3	G0239	DA97-20247D	ASSY COVER MULTI-REF; RS8000NC,HIPS,T2.5,	SNA	1
1-1-1	4	A1018	DA32-00070C	SENSOR TEMP; SC41200-021A,L250,13.2kohm,2	SA	1
2	2	Z1177	DA97-19188A	ASSY COVER EVAP-REF COVER EVAP MODULE; RS	SA	1
2-1	3		DA31-00334D	MOTOR BLDC FAN; 12035GE-12M-YT,1775 7%,1	SA	1
2-2	3		DA61-08437A	GUIDE AIR-REF; HM12,ABS,-,HB,CNTK A-204,B	SA	1
3	2		DA96-01119B	ASSY LAMP LED; 5,FR-4,150*12,WHITE,SMAW25	SA	1
4	2		DA97-21569A	ASSY COVER LAMP; RB7300T,COVER LAMP, ASSY	SA	1
5	2	M0300	DA97-19213D	ASSY CASE VEG-LOW; RS8000AC,TP BLUE,PLUM,	SA	1
6	2		DA97-19218B	ASSY COVER SLIDE; RS8000AC,REF, GPPS, TP	SA	1
6-1	3		DA97-19504B	ASSY COVER SLIDE; RS8000AC,REF, GPPS, TP	SNA	1
6-1-1	4		DA63-07113A	GROMMET-COVER SIDE; HM12,Si	SA	2
6-2	3		DA61-13024A	FIXER COVER-REF; RS8000NC,HIPS,NATURAL,57	SNA	1
7	2		DA97-19214D	ASSY CASE VEG-UP; RS8000AC,TP BLUE,No Pri	SA	1
8	2		DA97-16363H	ASSY SHELF-REF LOW; RS8000AC,WHITE TRIM	SA	2
9	2		DA97-16362J	ASSY SHELF-REF UP; RS8000AC,WHITE TRIM	SA	2
10	2		DA97-19116A	ASSY COVER WATER TANK; RS8000NC,220V	SA	1
10-1	3	G0526	DA62-01368F	PIPE-WATER LINE; Dispenser Model,HDPE,OD6	SA	1.367
11	2	T0093	DA60-00258B	FITTING TUBE; PP,ID1/4,1/4'- 1/4'	SA	2
12	2	M0288	DA62-00160C	PIPE-WATER LINE OUT; AD,TPE,OD13.5,T2.5,N	SA	2
13	2		DA97-15662E	ASSY HOSE-REF; RS8000NC	SA	1
13-1	3		DA63-04744A	COVER-CHECK VALVE; HM,PP,HB,INNER GRAY,CN	SA	1

3. Cabinet

Cabinet

Exploded View



Parts List

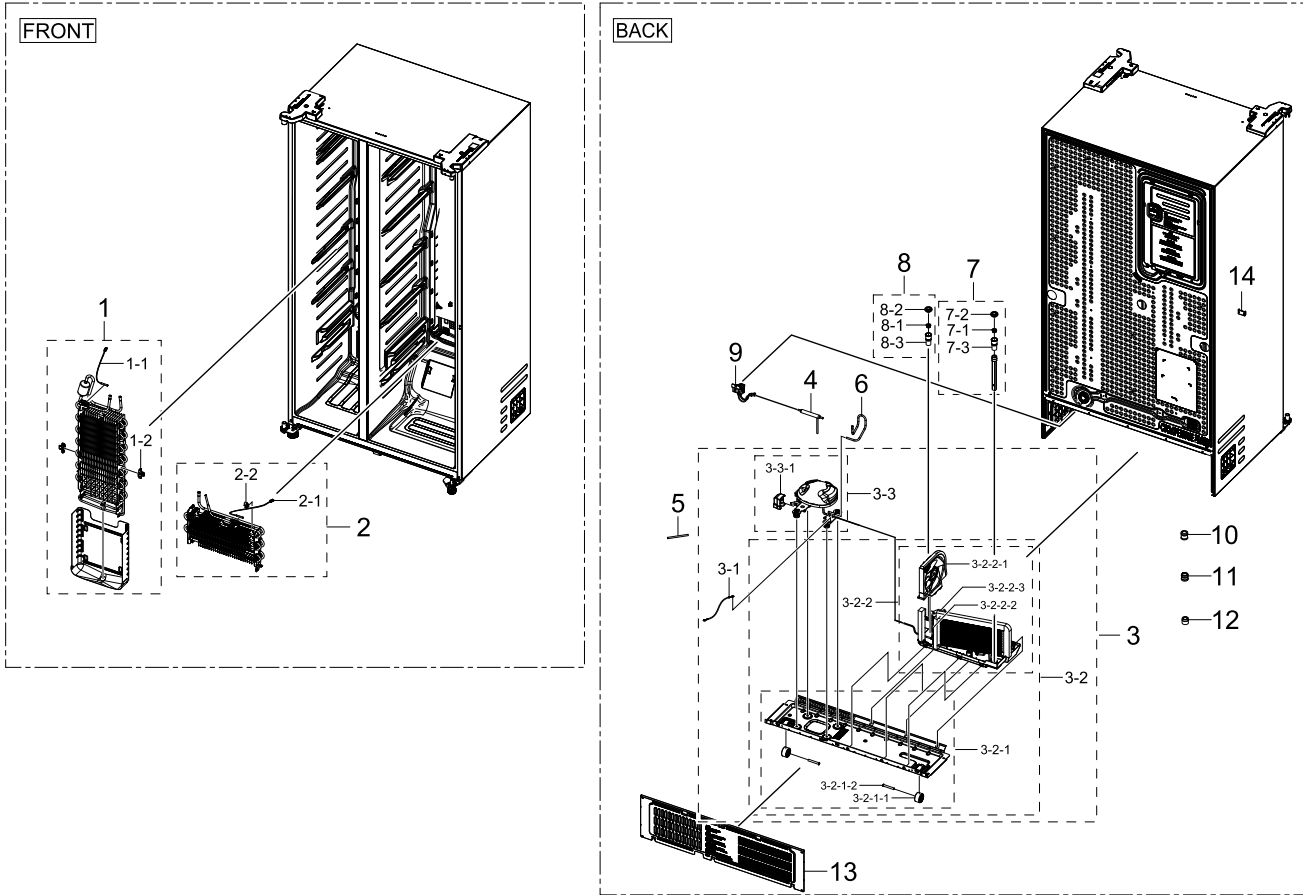
No.	Lvl.	Loc.	Material Code	Description & Specification	SNA	Qty.
1	2		DA97-22142K	ASSY CABI FORM-CABI MODULE; RS8000 F/L,UR	SNA	1
1-1	3		DA97-19254D	ASSY CABI-BOTTOM; RS8000NC,PP SCRAP,SNOW	SNA	1
1-1-1	4	A0564	DA60-10123C	BOLT-HEX; M6,L24,ZPC(WHT),SWRCH18A,HWH He	SA	6
1-1-2	4	M0146	DA61-01920A	FIXER-CASTER; ZPC2,SWRCH10A,OD8.0,L58	SA	1
1-1-3	4	M0145	DA61-04702A	CASTER-FRONT; AW-PJT,PP,BLACK	SA	1
1-1-4	4		DA97-14046B	ASSY HINGE-LOW LEFT; FSR CD,DISPENSER	SA	1
1-1-4-1	5	A0577	DA61-07972B	FOOT-FRONT; POLARIS,PP,BLACK,-,RM60,INSER	SA	1
1-1-4-2	5	A0863	DA61-07973B	FOOT; POLARIS,PP,BLACK,-,RM60,PP_S	SA	1
1-1-4-3	5		DA61-09275B	HINGE-LOW LEFT; FSR CD,PO-SPHC,T5,-,DIS	SNA	1
1-1-4-3-1	6	A0517	DA66-00793A	SHAFT-LEG FRONT; POLARIS,SWRCH10A,BLACK,E	SA	1
1-1-5	4		DA97-19056A	ASSY HINGE-LOW RIGHT; RS8000NC,T7,2DOOR	SA	1
1-1-5-1	5	A0577	DA61-09458A	FOOT-FRONT; PPI BLACK,0103-001846,0103-0	SA	1
1-1-5-2	5	A0863	DA61-09459A	FOOT; PPI BLACK,0103-001846,0103-007621,	SA	1
1-1-5-3	5		DA66-00891A	CAM-HINGE RISER REF LOW; MONTES ALPHA,PA6	SA	1
1-2	3	G0412	6002-001120	SCREW-TAPPING; FH,+,1,M4,L18,ZPC(WHT),SWR	SA	2
1-3	3		DA97-21750B	ASSY PIPE SUCTION; RS8000NC F/L,A++, in-h	SNA	1
1-3-1	4		DA97-21750A	ASSY PIPE SUCTION; RS8000NC F/L,A++, OD7.	SNA	1
1-3-1-1	5		DA62-01018A	SEAL CUTT-RUBBER; RR2500K,RUBBER,T5,W50,L	SA	1
1-3-1-2	5		DA72-60040W	SEAL-CUTT RUBBER; TD-PJT,RUBBER,T5,W35,L3	SA	1
1-4	3		DA97-21717B	ASSY CABI-REAR; RS8000AC,PLUMBING, NO VIP	SNA	1
1-4-1	4		DA97-21698D	ASSY CABI FRAME-REAR; RS8000A,LABEL, PLUM	SNA	1
1-4-1-1	5		DA61-11296A	FIXER; AW3-14,HIPS,NATURAL,576H	SA	1
1-5	3		DA61-14706A	CASE PBA; RS8000NC,PP,INNER GRAY,NF-6068R	SA	1
2	1		DA92-00795B	ASSY MODULE; SMPS,RH9000K HUB,80W, 12V/6.	SA	1
3	2		DA97-19247A	ASSY COVER HINGE-UP LEFT; RS8000NC,ABS,2.	SA	1
3-1	3	A1108	DA32-00074A	SENSOR HUMIDITY; 5V,0~100%RH,REF	SA	1

No.	Lvl.	Loc.	Material Code	Description & Specification	SNA	Qty.
3-2	3		DA34-00043J	SWITCH REED; UL1007 AWG 22,50mm	SA	1
4	2		DA97-19248D	ASSY COVER HINGE-UP RIGHT; RS8000NC,ABS,2	SA	1
4-1	3		DA34-00043J	SWITCH REED; UL1007 AWG 22,50mm	SA	1
5	2		DA97-19227A	ASSY HINGE-UP LEFT; RS8000NC,BLK	SA	1
5-1	3		DA63-50192A	SHIM-HINGE UPP; PVC,T1.0,NATURAL,T1.0	SNA	1
6	2		DA97-19132A	ASSY HINGE-UP RIGHT; RS8000NC,BLK	SA	1
6-1	3		DA63-50192A	SHIM-HINGE UPP; PVC,T1.0,NATURAL,T1.0	SNA	1
7	2		DA61-04932B	FIXER-HINGE; PO-SPHC,T3,Zn coating	SA	2
8	1		DA94-05748B	ASSY PCB EEPROM; 0x46,D601,D603,D607,RS80	SA	1
9	2		DA97-13181G	ASSY COVER PBA-MAIN; RS8000,T0.5	SA	1
10	2	A0273	3903-001015	POWER CORD-AT; H05VV-F 3x0.75mm2,BLK,EU3F	SA	1

4. Cycle

Cycle

Exploded View



Parts List

No.	Lvl.	Loc.	Material Code	Description & Specification	SNA	Qty.
1	2	A0163	DA96-01316C	ASSY EVAP-FRE EVAP MODULE; RS8000NC,FIN T	SA	1
1-1	3	A1018	DA32-00070Q	SENSOR TEMP; DOUBLE_INSULATION,L200,13.2k	SA	1
1-2	3	G0205	DA61-04921B	FIXER-HEATER FRE; HERMES-PJT,PP,NATURAL,F	SA	2
2	2	A0184	DA96-01318A	ASSY EVAP-REF EVAP MODULE; RS8000NC,FIN T	SA	1
2-1	3	A1018	DA32-00070Q	SENSOR TEMP; DOUBLE_INSULATION,L200,13.2k	SA	1
2-2	3		DA61-06013B	FIXER WIRE; AW3-PJT,PP,T2,NATURAL,HB,BJ75	SA	1
3	2		DA97-22145C	ASSY COMP N CONDENSING-COND MODULE; RS800	SNA	1

No.	Lvl.	Loc.	Material Code	Description & Specification	SNA	Qty.
3-1	3	A0562	DA39-20389L	ASSY WIRE HARNESS-EARTH; EARTH,ALL,FREE V	SA	1
3-2	3		DA97-19448A	ASSY CHASSIS; RS8000NC	SNA	1
3-2-1	4	A0526	DA97-19127A	ASSY CHASSIS COMP; RS8000NC,GI-SGCC,1.0	SA	1
3-2-1-1	5	A0527	DA61-04703A	CASTER-REAR; AW-PJT,PP,BLACK,M/B(0103-002	SA	2
3-2-1-2	5	M0212	DA66-00649B	SHAFT-CASTER; POLARIS,MSWR10,L44,ID8.0,OD	SA	2
3-2-2	4	A0529	DA97-19128A	ASSY TRAY DRAIN WATER; RS8000NC	SA	1
3-2-2-1	5	M0116	DA97-20025B	ASSY SUPPORT-CIRCUIT MOTOR; RS5000RC,C160	SA	1
3-2-2-2	5		DA97-20131A	ASSY PIPE IMMERGING; RS8000NC,TSW,OD4.76,	SA	1
3-2-2-3	5		DA97-20140A	ASSY PIPE IMMERGING; RS8000NC,TSW,OD4.76,	SA	1
3-3	3		NF54M5151ARAK3	CMP,COMP,REFRIGERATOR,R-600A; CMP,COMP,REFRIGERATOR,R-600A		1
3-3-1	4	Z1032	DA63-06122A	COVER RELAY; MSV,MPPE,T2,BLACK,N300X,V-0	SA	1
4	2	A0669	DA62-04309A	DRYER; C1220T-H,L137,SINGLE MOUTH,OD15.8,	SA	1
5	2	A0523	DA73-10190U	PIPE-CONNECT DISC,B; ALL,C1220T,Cu,OD6.35	SA	1
6	2		DA62-05167A	PIPE CONNECT-SUCTION; RS8000NC,Cu,OD6.35,	SA	1
7	2	M0067	DA97-04049D	ASSY CAP-DRAIN; AW,ASSY,-,L224.5,-,FIXE	SA	1
7-1	3	A0336	DA61-05021A	FIXER-DRAIN; HAEMIL,PP,T0.6,CARMEN WINE,B	SA	1
7-2	3		DA63-02761A	GROMMET-DRAIN; RS18RK,NBR,BLACK	SA	1
7-3	3	A0492	DA67-01301A	CAP-DRAIN; AW4,HIPS,HB,576H,NATURAL	SA	1
8	2		DA97-18856A	ASSY CAP DRAIN; RQ9500M	SA	1
8-1	3	A0336	DA61-05021A	FIXER-DRAIN; HAEMIL,PP,T0.6,CARMEN WINE,B	SA	1
8-2	3		DA63-02761A	GROMMET-DRAIN; RS18RK,NBR,BLACK	SA	1
8-3	3	A0492	DA67-01301A	CAP-DRAIN; AW4,HIPS,HB,576H,NATURAL	SA	1
9	2		DA62-04678B	VALVE STEP; DC12V,MODULE,2WAY,RIGHT/RIGHT	SA	1
10	2		DA60-00279A	FITTING LOCK RING; SUM23,-,SILVER,-,16,	SA	1
11	2		DA60-00280A	FITTING-LOKRING 33; SUM23,ID3/16,33, 11SM	SA	1
12	2		DA60-00281A	FITTING LOCK SLEEVE; SUM23,ID5.02,11SMnPb	SA	1

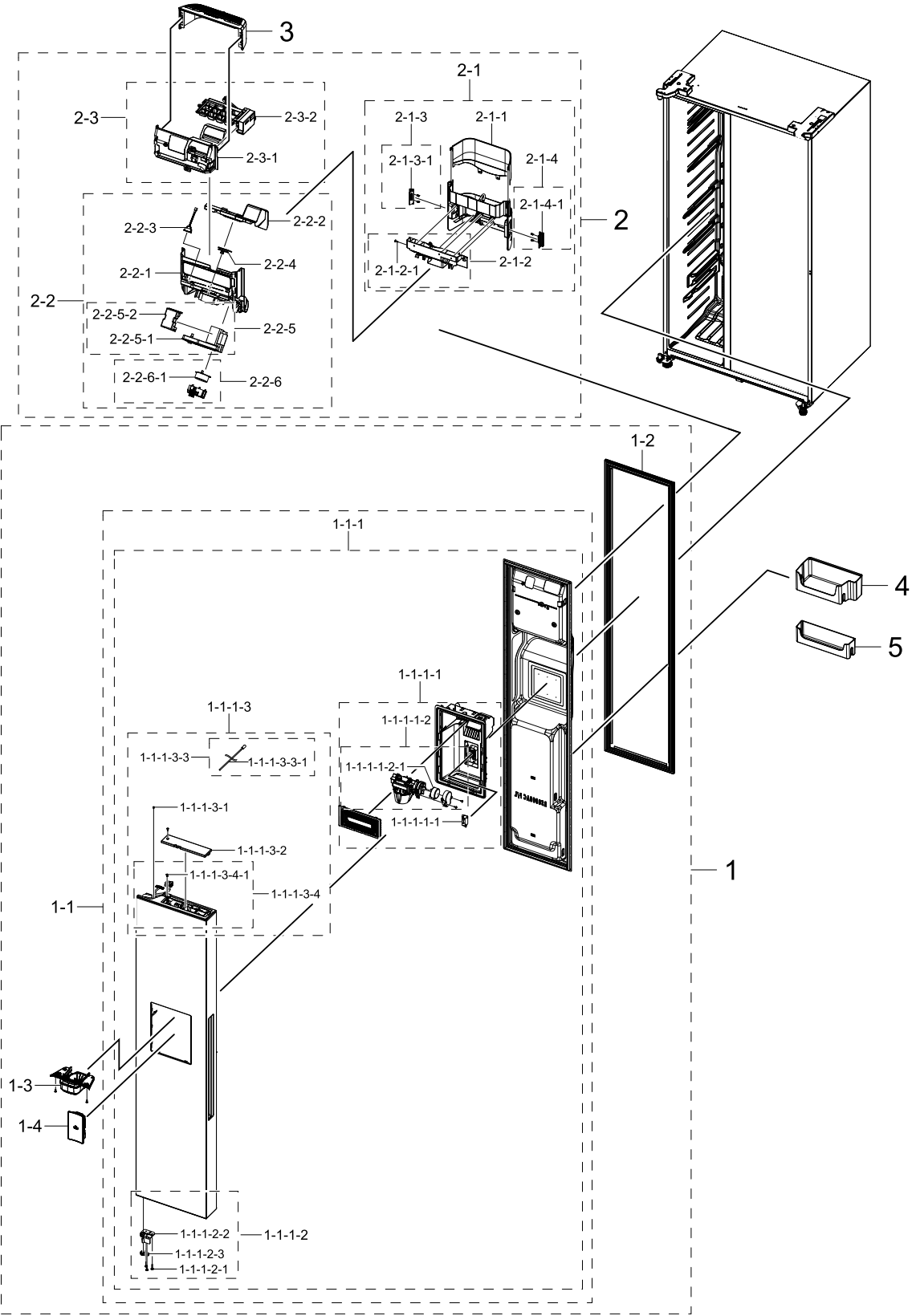
Exploded Views and Parts List

No.	Lvl.	Loc.	Material Code	Description & Specification	SNA	Qty.
13	2	M0076	DA97-19123A	ASSY COVER COMP; RS8000NC,GI-SGCC,T0.25	SA	1
14	2		DA61-12488A	FIXER COVER; AW3-14,HIPS,NATURAL,576H	SA	1

5. Door Fre

Door Fre

Exploded View



Parts List

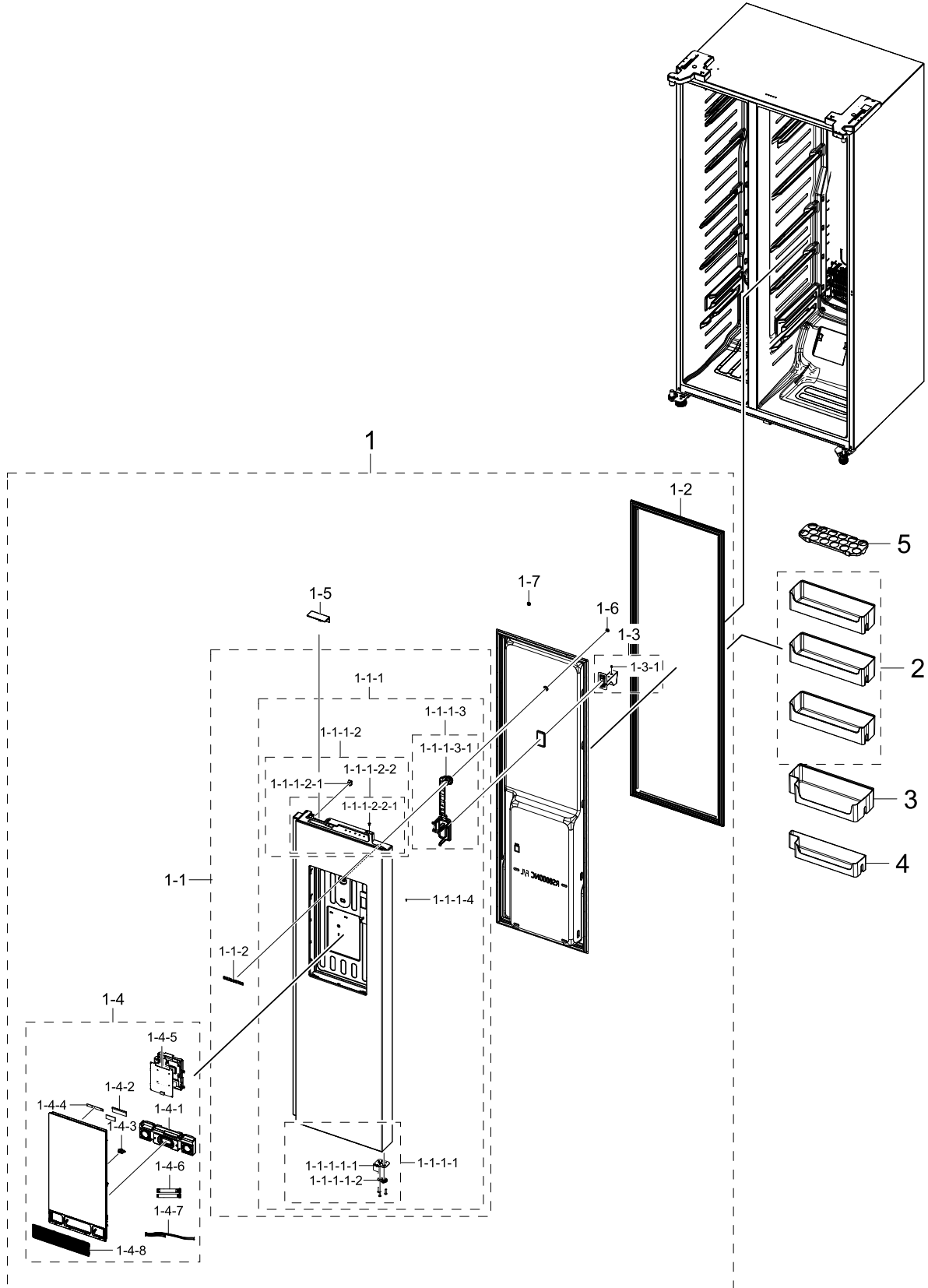
No.	Lvl.	Loc.	Material Code	Description & Specification	SNA	Qty.
1	2		DA93-00955P	ASSY DOOR SUB-FRE DOOR MODULE; RS8000 F/L	SNA	1
1-1	3	M0063	DA91-05447A	ASSY DOOR FOAM-FRE; RS8000NC,8SERIES	SA	1
1-1-1	4		DA97-21735A	ASSY PLATE DOOR-FRE; RS8000NC,8SERIES,REC	SNA	1
1-1-1-1	5		DA97-19228M	ASSY CASE DISPENSER; RS8000NC,DARK GRAY,F	SNA	1
1-1-1-1-1	6	A0842	3405-001117	SWITCH-MICRO; 125/250VAC,1A,80gf,SPST-NO	SA	1
1-1-1-1-2	6		DA97-19028A	ASSY CASE ICE ROUTE; RS8000NC,220V	SA	1
1-1-1-1-2-1	7	M0200	DA31-00079A	MOTOR GEARED AC DISP; MVLA15AR11/MCFA182A	SA	1
1-1-1-2	5	A0047	DA97-19263D	ASSY CAP DOOR-FRE LOW; RS8000NC,2DOOR, 3D	SNA	1
1-1-1-2-1	6	G0412	6002-000524	SCREW-TAPPING; TH,+,2S,M4,L20,ZPC(WHT),SW	SA	3
1-1-1-2-2	6		DA61-07527A	STOPPER-DOOR FRE LOW; POLARIS,PO-SPHC,T4.	SA	1
1-1-1-2-3	6	M0265	DA66-00558B	CAM HINGE-RISER UPP L; POLARIS,PA66+GF15%	SA	1
1-1-1-3	5		DA97-21732A	ASSY CAP DOOR-FRE UP; RS8000NC,INOX GRAY,	SNA	1
1-1-1-3-1	6	G0412	6002-001547	SCREW-TAPPING; SWRCH18A,ZPC(WHT),L10,M4,F	SA	1
1-1-1-3-2	6	M0060	DA63-04341A	COVER-CAP DOOR FRE; GUGGENHEIM,ABS,W61.3,	SA	1
1-1-1-3-3	6		DA97-19469A	ASSY PIPE WATER LINE; RS8000NC,PE-RT,ORAN	SNA	1
1-1-1-3-3-1	7	G0526	DA62-01368F	PIPE-WATER LINE; Dispenser Model,HDPE,OD6	SA	2.360
1-1-1-3-4	6		DA97-22139A	ASSY CAP DOOR-FRE UP; RS8000NC F/L,INOX G	SNA	1
1-1-1-3-4-1	7		DA67-02795C	CAP-SHAFT HOLE; AW3,ABS,HG-0760GP,SNOW WH	SA	1
1-2	3		DA97-19851G	ASSY GASKET-FRE; RS8000NC,L1642.5,W344.5,	SA	1
1-3	3		DA97-19031J	ASSY COVER DISPENSER; RS8000 F/L,DARK GRA	SA	1
1-4	3		DA97-21146A	ASSY LEVER DISPENSER; RS5300T,EBONY BLACK	SA	1
2	2		DA97-22143A	ASSY BUCKET N AUGER-BUCKET MODULE; RS8000	SNA	1
2-1	3	A0105	DA97-19033C	ASSY TRAY ICE; RS8000,INDOOR PP I/M	SA	1

No.	Lvl.	Loc.	Material Code	Description & Specification	SNA	Qty.
2-1-1	4		DA64-05768A	WINDOW BUCKET; RS8000NC,PCTG,T4,W290,L175	SA	1
2-1-2	4		DA97-22934B	ASSY TRAY ICE-BUCKET MODULE; RS8000NC,IND	SNA	1
2-1-2-1	5	G0412	6002-000473	SCREW-TAPPING; TH,+,NO,1,M4,L14,PASS,STS3	SA	1
2-1-3	4		DA97-22941A	ASSY LEVER HANDLE; RS8000NC,COOL WHITE,LE	SNA	1
2-1-3-1	5		DA66-00587A	LEVER-BUCKET L; GUGGENHEIM,ABS,W76.7,L19.	SC	1
2-1-4	4		DA97-22938A	ASSY LEVER HANDLE; RS8000NC,COOL WHITE,LE	SNA	1
2-1-4-1	5	G0557	DA66-00588A	LEVER-BUCKET R; GUGGENHEIM,ABS,W77.2,L70.	SA	1
2-2	3	M0299	DA97-21751A	ASSY CASE AUGER MOTOR; RS8000,T2.5,COOL W	SA	1
2-2-1	4		DA61-14393A	SUPPORT CASE AUGER; RS8000,HIPS,T2.5,576H	SA	1
2-2-2	4		DA63-09324A	COVER CASE AUGER; RS8000NC,HIPS,T2.5,HB,N	SA	1
2-2-3	4	G0564	DA97-00151B	SWITCH REED; UL1007 AWG 22,230,35151-0210	SA	1
2-2-4	4	G0572	DA97-11248A	ASSY-CAM LEVER CUBE; INDOOR	SA	1
2-2-5	4		DA97-22936A	ASSY CASE SUB-LOW; RS8000NC,T2.5,COOL WHI	SNA	1
2-2-5-1	5	M0199	DA31-00210E	MOTOR GEARED AC AUGER; ISG-3245SSB/ORG-45	SA	1
2-2-5-2	5		DA63-05515A	COVER-MOTOR AUGER COIL; GGH,ABS,-,-,SNOW	SA	1
2-2-6	4		DA97-22937A	ASSY CASE SUB-UP; RS8000NC,T2.5,COOL WHIT	SNA	1
2-2-6-1	5	M0200	DA31-00079A	MOTOR GEARED AC DISP; MVLA15AR11/MCFA182A	SA	1
2-3	3	M0247	DA97-21754A	ASSY ICE MAKER-MECH; RS8000,COOL WHITE	SA	1
2-3-1	4		DA61-14395A	SUPPORT CASE AUGER-LEFT; RS8000,ABS,T2.5,	SA	1
2-3-2	4	M0247	DA97-19010A	ASSY ICE MAKER-MECH; RS6500KC,12V,INDOOR	SA	1
3	2		DA63-11186A	COVER ICE-FRE; RS8000AC,HIPS,T2.5,COOL WH	SA	1
4	2	M0366	DA63-09331A	GUARD-FRE UP; RS8000NC,GPPS,T3.5,TP BLUE	SA	1
5	2	M0365	DA63-09332A	GUARD-FRE LOW; RS8000NC,GPPS,T3.5,TP BLUE	SA	1

6. Door Ref

Door Ref

Exploded View



Parts List

No.	Lvl.	Loc.	Material Code	Description & Specification	SNA	Qty.
1	2		DA93-00954F	ASSY DOOR SUB-REF DOOR MODULE; RS8000 F/L	SNA	1
1-1	3	Z1100	DA91-05448A	ASSY DOOR FOAM-REF; RS8000NC,HUB	SA	1
1-1-1	4		DA97-21737A	ASSY PLATE DOOR-REF; RS8000NC,HUB,LONG RE	SNA	1
1-1-1-1	5	A0048	DA97-19771A	ASSY CAP DOOR-REF LOW; RS8000NC,BLACK,2DO	SNA	1
1-1-1-1-1	6	A1017	DA61-07526A	STOPPER-DOOR REF LOW; POLARIS,PO-SPHC,T4.	SA	1
1-1-1-1-2	6	G0554	DA66-00557A	CAM HINGE-RISER UPP R; GUGGENHEIM,PA66+GF	SA	1
1-1-1-2	5		DA97-21733A	ASSY CAP DOOR-REF UP; RS8000NC,INOX GRAY,	SNA	1
1-1-1-2-1	6		3402-000165	SWITCH-ROCKER; AC125/250V,12/6A,SPST,ON-O	SA	1
1-1-1-2-2	6		DA97-22188A	ASSY CAP DOOR-REF UP; RS8000NC F/L,INOX G	SNA	1
1-1-1-2-2-1	7		DA67-02795C	CAP-SHAFT HOLE; AW3,ABS,HG-0760GP,SNOW WH	SA	1
1-1-1-3	5		DA97-21761A	ASSY CASE DISPLAY; RS8000NC F/L	SNA	1
1-1-1-3-1	6		DA61-14413A	CASE-CAMERA WIRE; RS8000NC F/L,ABS,T2.5,C	SA	1
1-1-1-4	5	G0412	6002-001547	SCREW-TAPPING; SWRCH18A,ZPC(WHT),L10,M4,F	SA	1
1-1-2	4	M0196	DA64-04020C	MASCOT; ALL,Ni,T0.06,L80	SA	1
1-2	3		DA97-19851E	ASSY GASKET-REF; RS8000NC,L1642.5,W469.5,	SA	1
1-3	3		DA97-20744A	ASSY PANEL-CAMERA; RS5300T,F-HUB	SA	1
1-3-1	4		DA63-07538A	GROMMET-A; MOUTON12,Si,COOL WHITE,NAME TA	SA	1
1-4	3	A0260	DA97-20810K	ASSY COVER DISPLAY; RS8000,EU,EUROPE,HUB6	SA	1
1-4-1	4		3001-002858	SPEAKER; 40hm,85dB,150,288*81.3*39,55x55m	SNA	1
1-4-2	4		4709-002927	W-LAN MODULE; CCBQ730M,MT7668,IEEE802.11,	SNA	1
1-4-3	4		DA32-00080A	SENSOR PSD; ORA1L17,5V	SA	1
1-4-4	4		DA92-01368A	ASSY PBA MODULE-VOICE; DIGITAL MIC,RS8000	SA	1
1-4-5	4		DA94-05860A	ASSY PCB EEPROM; DAT5 0x02,EU RS8000_NF,F	SA	1
1-4-6	4	A0850	DA96-01253B	ASSY WIRE HARNESS; LCD CABLE,F_HUB 4.0,FR	SA	1

Exploded Views and Parts List

No.	Lvl.	Loc.	Material Code	Description & Specification	SNA	Qty.
1-4-7	4		DA96-01368C	ASSY WIRE HARNESS-DISPLAY; ALL,F-HUB 6.0	SNA	1
1-4-8	4		DA97-19330C	ASSY COVER FRONT; RF9500R,27.5", VE, NO M	SA	1
1-5	3		DA63-08449A	COVER LOCK; ABS,T2.5,-,INOX GRAY,-,VE-085	SA	1
1-6	3		DA67-04988A	CAP SCREW; RS5300T,ABS,QU-0191S,COOL WHIT	SA	1
1-7	3	A0270	DA67-30266K	CAP SCREW; A-TOP,PP,T1.5,HB,BJ750,COOL WH	SA	1
2	2	M0447	DA63-09689A	GUARD-REF UP DOOR BIN MODULE; RS8000 F/L,	SA	3
3	2	M0447	DA63-09329A	GUARD-REF UP; RS8000NC,GPPS,T3.5,TP BLUE	SA	1
4	2	M0369	DA63-09330A	GUARD-REF LOW; RS8000NC,GPPS,T3.5,TP BLUE	SA	1
5	2	A0656	DA67-40322A	TRAY EGG; SR-51.55.59,GPPS,TP BLUE	SA	1