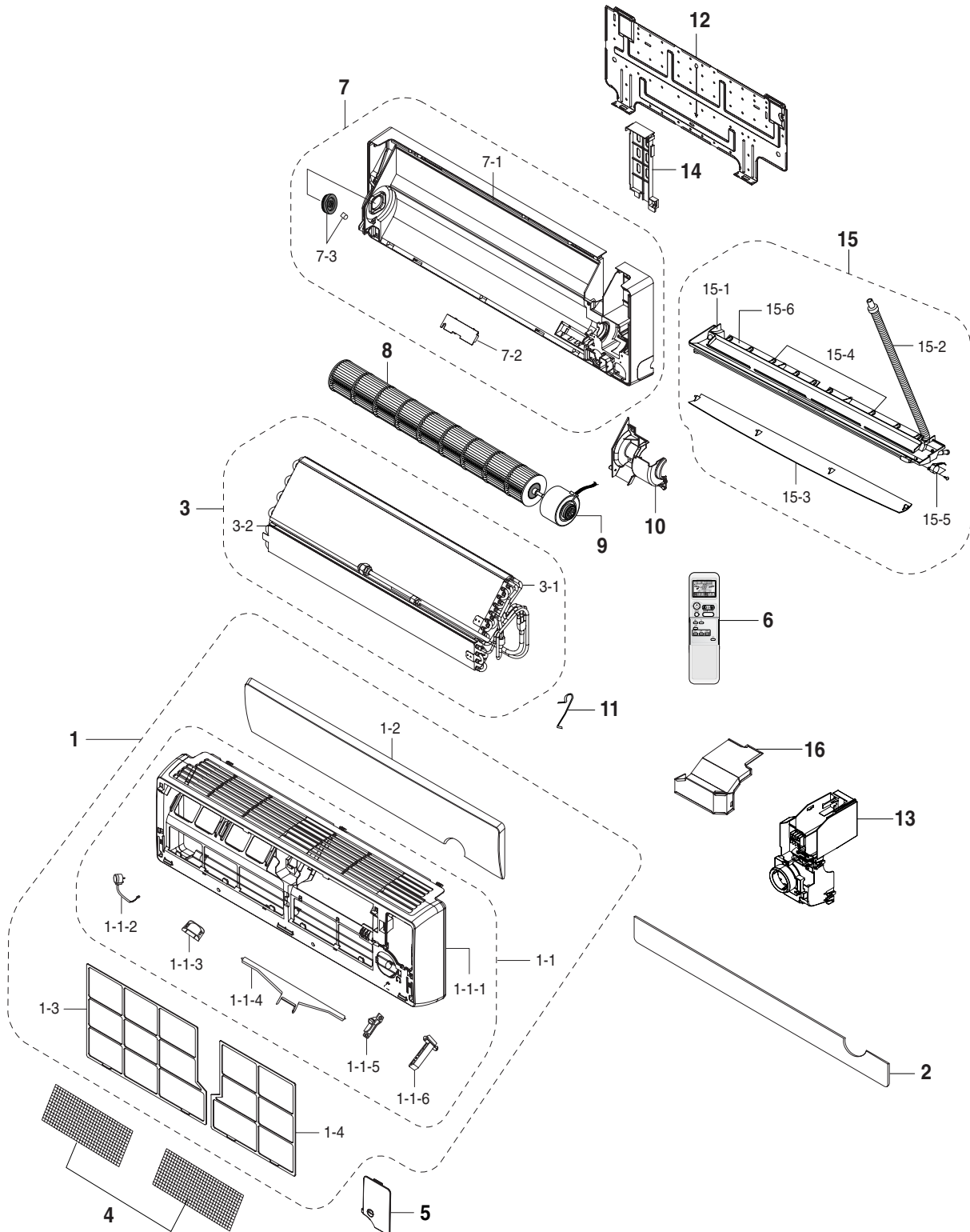


5. Exploded Views and Parts List

5-1 Indoor Unit

5-1-1 MH020FPEA/MH023FPEA/MH026FPEA/MH035FPEA/MH14VP2-07/MH16VP2-07/
MH16VP2-09/MH18VP2-09/MH19VP2-07/MH19VP2-12/MH30VP2-09/MH30VP2-12



■ Parts List

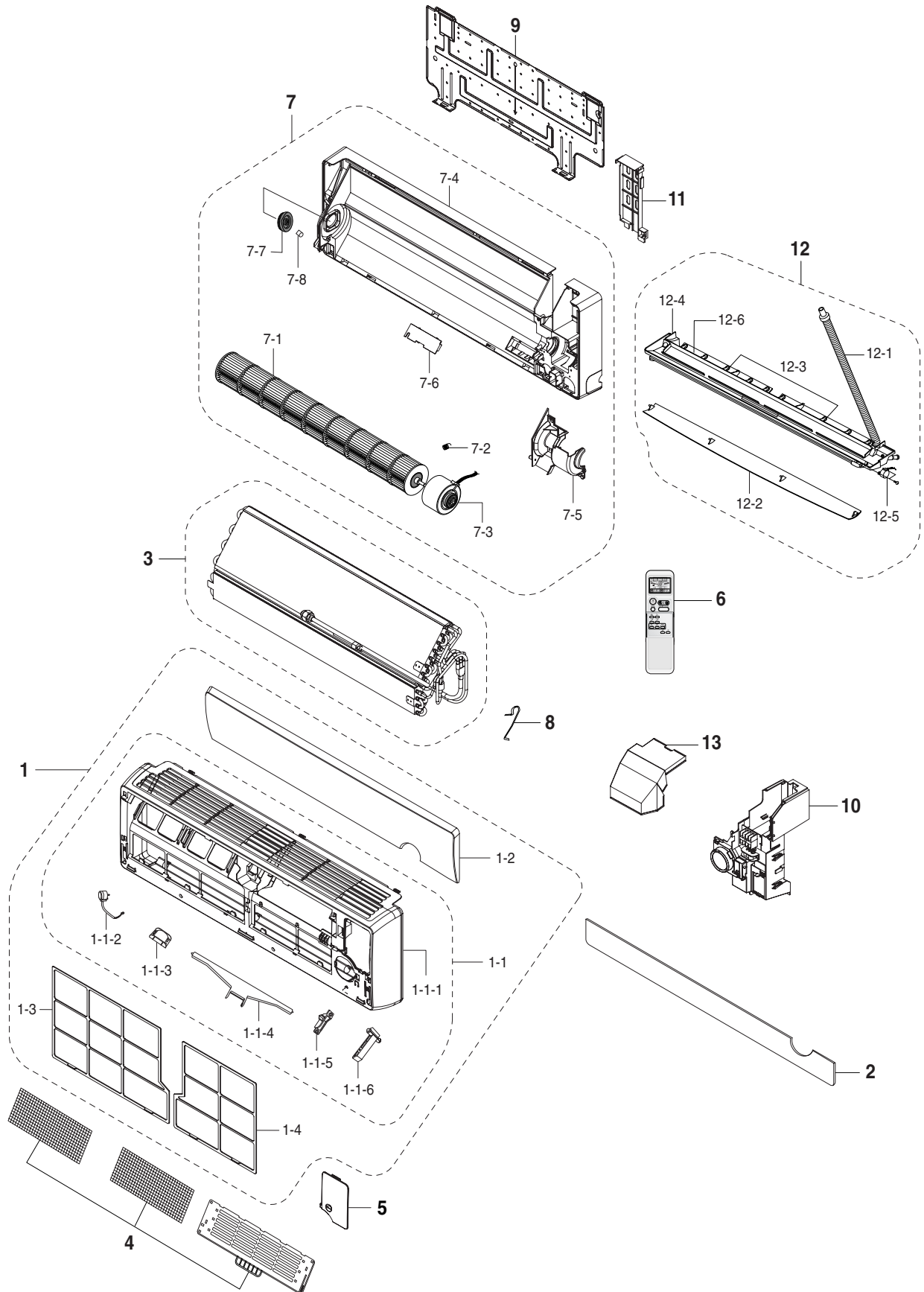
No.	Code No.	Description	Specification	QTY		SA/SNA	Remark
				MH020FPEA MH023FPEA MH026FPEA MH**VP2-07 MH**VP2-09	MH035FPEA MH**VP2-12		
1	DB92-00561F	ASS'Y PANEL FRONT TOTAL	ASS'Y	-	1	SA	
	DB92-00558F	ASS'Y PANEL FRONT TOTAL	ASS'Y	1	-	SA	
1-1	DB92-00560A	ASS'Y PANEL FRONT SUB-P	ASS'Y	-	1	SC	
	DB92-00557A	ASS'Y PANEL FRONT SUB-P	ASS'Y	1	-	SA	
1-1-1	DB92-00559A	ASS'Y PANEL FRONT SUB	ASS'Y	-	1	SA	
	DB92-00556A	ASS'Y PANEL FRONT SUB	ASS'Y	1	-	SC	
1-1-2	DB31-00166B	MOTOR STEP	-	1	1	SA	
1-1-3	DB61-01114A	HOLDER MOTOR DC	HIPS	-	1	SA	
	DB61-01123A	HOLDER MOTOR DC	HIPS	1	-	SC	
1-1-4	DB61-01115A	HINGE GRILLE	HIPS	-	1	SC	
	DB61-01132A	HINGE GRILLE	HIPS	1	-	SC	
1-1-5	DB61-01116A	GUIDE LINK	HIPS	-	1	SC	
	DB61-01133A	GUIDE LINK	HIPS	1	-	SC	
1-1-6	DB66-00364A	LINK MOTOR	ABS	-	1	SA	
	DB66-00365A	LINK MOTOR	ABS	1	-	SA	
1-2	DB64-00640A	GRILLE UP	ABS	-	1	SA	
	DB64-00655A	GRILLE UP	ABS	1	-	SA	
1-3	DB63-00585E	FILTER-PRE LF	PP	-	1	SA	
	DB63-00590F	FILTER-PRE LF	PP	1	-	SA	
1-4	DB63-00586E	FILTER-PRE RH	PP	-	1	SA	
	DB63-00591F	FILTER-PRE RH	PP	1	-	SA	
2	DB92-00540A	ASS'Y GRILLE LOW	ASS'Y	-	1	SA	
	DB92-00538A	ASS'Y GRILLE LOW	ASS'Y	1	-	SA	
3	DB96-03801A	ASS'Y EVAPORATOR TOTAL	ASS'Y	-	1	SA	
	DB96-03796A	ASS'Y EVAPORATOR TOTAL	ASS'Y	1	-	SA	
3-1	DB96-03800B	ASS'Y EVAPORATOR	ASS'Y	-	1	SNA	
	DB96-03797B	ASS'Y EVAPORATOR	ASS'Y	1	-	SNA	
3-2	DB67-00051A	SPACER-EVAP LOW	PVC	1	-	SNA	
4	DB95-00367E	ASS'Y FILTER BIO	ASS'Y	1	1	SC	
5	DB63-00581A	COVER TERMINAL	HIPS	-	1	SA	
	DB63-00588A	COVER TERMINAL	HIPS	1	-	SNA	
6	DB93-03016N	ASS'Y REMOCON	ASS'Y	1	1	SA	
7	DB94-00488A	ASS'Y BACK BODY-SUB	ASS'Y	-	1	SA	
	DB94-00486A	ASS'Y BACK BODY-SUB	ASS'Y	1	-	SA	
7-1	DB61-01098A	BACK BODY	HIPS	-	1	SNA	
	DB61-01119A	BACK BODY	HIPS	1	-	SNA	
7-2	DB63-00580A	COVER-IONIZER	HIPS	1	1	SA	
7-3	DB94-00258A	ASS'Y BEARING	ASS'Y	1	1	SA	
8	DB94-00040R	ASS'Y CROSS FAN	ASS'Y	-	1	SC	
	DB94-00040F	ASS'Y CROSS FAN	ASS'Y	1	-	SA	

■ Parts List(cont.)

No.	Code No.	Description	Specification	QTY		SA/SNA	Remark
				MH020FPEA MH023FPEA MH026FPEA MH**VP2-07 MH**VP2-09	MH035FPEA MH**VP2-12		
9	DB31-00152B	MOTOR-FAN IN	-	-	1	SA	
	DB31-00152A	MOTOR-FAN IN	-	1	-	SA	
10	DB61-01099A	HOLDER-MOTOR	PP	-	1	SA	
	DB61-01120A	HOLDER-MOTOR	PP	1	-	SC	
11	DB67-60030A	SPRING-SENSOR	STS301	1	1	SNA	
12	DB70-00276A	PLATE-HANGER	SGCC-M	-	1	SA	
	DB70-00288A	PLATE-HANGER	SGCC-M	1	-	SA	
13	DB93-02885A	ASS'Y CONTROL IN	ASS'Y	-	1	SA	
	DB93-02884A	ASS'Y CONTROL IN	ASS'Y	1	-	SA	
14	DB90-00992A	ASS'Y HOLDER-PIPE	HIPS	-	1	SA	
	DB61-01121A	HOLDER-PIPE	HIPS	1	-	SNA	
15	DB94-00468B	ASS'Y TRAY DRAIN	ASS'Y	-	1	SA	
	DB94-00465A	ASS'Y TRAY DRAIN	ASS'Y	1	-	SA	
15-1	DB63-00587A	TRAY DRAIN	HIPS	-	1	SNA	
	DB63-00592A	TRAY DRAIN	HIPS	1	-	SNA	
15-2	DB94-00062E	ASS'Y DRAIN HOSE	ASS'Y	1	1	SA	
15-3	DB61-01103A	BLADE-H	HIPS	-	1	SC	
	DB61-01125A	BLADE-H	HIPS	1	-	SA	
15-4	DB61-01104A	BLADE-V	PP	-	3	SA	
	DB61-01126A	BLADE-V	PP	3	-	SC	
15-5	DB95-20138A	ASS'Y MOTOR STEPPING	ASS'Y	1	1	SA	
15-6	DB63-00634A	GUARD-SAFETY WIRE	STS27	-	1	SNA	OPTION
	DB63-00635A	GUARD-SAFETY WIRE	STS27	1	-	SNA	OPTION
16	DB90-02062A	ASS'Y COVER CONTROL IN	ASS'Y	1	-	SNA	
	DB63-01283A	COVER CONTROL IN	SGCC-M	-	1	SNA	

MEMO

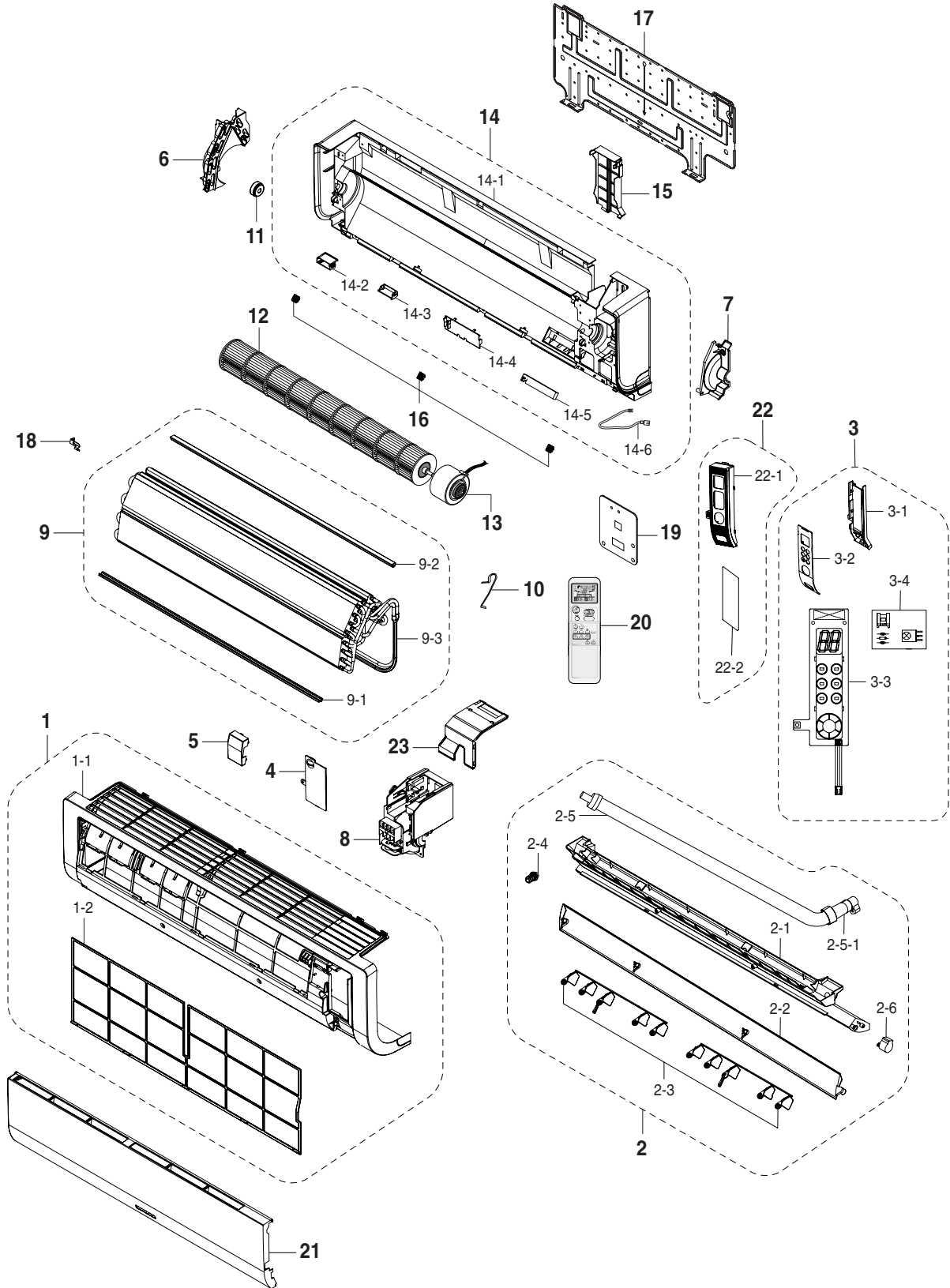
5-1-2 MH052FPEA/MH052FPEA1



■ Parts List

No.	Code No.	Description	Specification	Q'TY		SA/SNA
				MH052FPEA	MH052FPEA1	
1	DB92-00447H	ASS'Y PANEL FRONT-TOTAL	ASS'Y	1	1	SA
1-1	DB92-00471A	ASS'Y PANEL SUB	ASS'Y	1	1	SA
1-1-1	DB92-00386A	ASS'Y PANEL FRONT-SUB	ASS'Y	1	1	SA
1-1-2	DB31-00195B	MOTOR STEP	-	1	1	SC
1-1-3	DB61-01114A	HOLDER MOTOR DC	HIPS	1	1	SA
1-1-4	DB61-01144A	HINGE GRILLE	HIPS	1	1	SA
1-1-5	DB61-01116A	GUIDE LINK	HIPS	1	1	SC
1-1-6	DB66-00366A	LINK MOTOR	ABS	1	1	SC
1-2	DB64-00670A	GRILLE UP	HIPS	1	1	SA
1-3	DB63-00596D	FILTER-LF	PP	1	1	SA
1-4	DB63-00597D	FILTER-RH	PP	1	1	SA
2	DB92-00449D	ASS'Y GRILLE LOW SUB	ASS'Y	1	1	SA
3	DB96-03798A	ASS'Y EVAP-TOTAL	ASS'Y	1	1	SA
4	DB95-00367F	ASS'Y FILTER BIO	ASS'Y	1	1	SA
5	DB63-00594A	COVER TERMINAL	HIPS	1	1	SA
6	DB93-03016N	ASS'Y REMOCON	ASS'Y	1	1	SA
7	DB94-00531A	ASS'Y BACK BODY	ASS'Y	1	1	SA
7-1	DB94-00040J	ASS'Y CROSS FAN	ASS'Y	1	1	SA
7-2	DB60-20011A	BOLT SPECIAL	M6	1	1	SA
7-3	DB31-10151C	MOTOR-FAN IN	-	1	1	SA
7-4	DB61-01135A	BACK BODY	HIPS	1	1	SNA
7-5	DB61-01136A	HOLDER-MOTOR	PP	1	1	SNA
7-6	DB63-00580A	COVER-IONIZER	HIPS	1	1	SA
7-7	DB73-00128A	RUBBER BEARING	-	1	1	SA
7-8	DB94-40007A	ASS'Y BEARING-MOTOR	-	1	1	SNA
8	DB67-60030A	SPRING SENSOR	-	1	1	SNA
9	DB70-00295A	PLATE-HANGER	SGCC-M	1	1	SA
10	DB93-03489A	ASS'Y CONTROL IN	ASS'Y	-	1	SA
	DB93-02744A	ASS'Y CONTROL IN	ASS'Y	1	-	SA
11	DB61-01137A	HOLDER-PIPE	HIPS	1	1	SA
12	DB94-00300E	ASS'Y TRAY DRAIN	ASS'Y	-	1	SA
	DB94-00300C	ASS'Y TRAY DRAIN	ASS'Y	1	-	SA
12-1	DB94-00062B	ASS'Y DRAIN HOSE	ASS'Y	1	1	SA
12-2	DB61-01141A	BLADE-H	ABS	1	1	SA
12-3	DB61-01142A	BLADE-V	PP	3	3	SA
12-4	DB63-00598A	TRAY DRAIN	ABS	1	1	SNA
12-5	DB31-00285A	MOTOR-STEPPING BLADE	-	-	1	SA
	DB31-10154A	MOTOR-STEPPING BLADE	-	1	-	SA
12-6	DB63-00699A	GUARD-SAFETY WIRE	-	1	1	SA
13	DB63-01284A	COVER CONTROL IN	SGCC-M	-	1	SNA

**5-1-3 MH020FWEA/MH023FWEA/MH026FWEA/MH035FWEA/MH14VW2-07/MH16VW2-07/
MH16VW2-09/MH18VW2-09/MH19VW2-07/MH19VW2-12/MH30VW2-09/MH30VW2-12**



■ Parts List

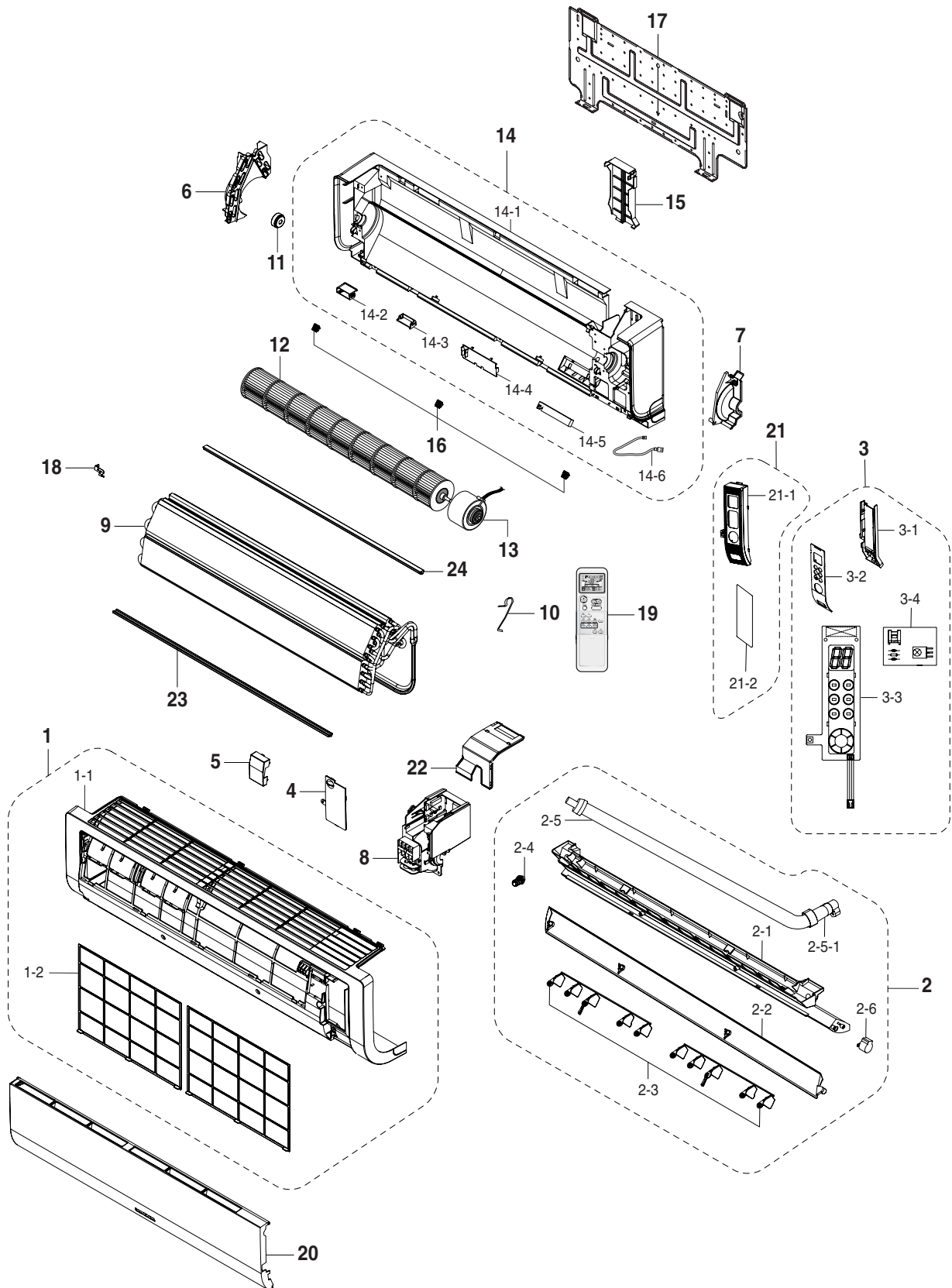
No.	Code No.	Description	Specification	Q'TY		SA/SNA
				MH023FWEA MH026FWEA MH**VW2-07 MH**VW2-09	MH035FWEA MH**VW2-12	
1	DB92-00633B	ASS'Y PANEL FRONT	ASS'Y	1	1	SA
1-1	DB64-01210B	PANEL FRONT	HIPS	1	1	SNA
1-2	DB63-01103A	FILTER-PRE	PP	1	1	SA
2	DB94-00629A	ASS'Y TRAY DRAIN	ASS'Y	1	1	SA
2-1	DB63-01104A	TRAY DRAIN	ABS	1	1	SNA
2-2	DB61-02049A	BLADE-H	ABS	1	1	SA
2-3	DB61-02053A	BLADE-V	PP	2	2	SA
2-4	DB73-00234A	RUBBER-CAP DRAIN	CR	1	1	SA
2-5	DB94-00062L	ASS'Y DRAIN-HOSE	ASS'Y	1	1	SA
2-5-1	DB67-00510A	DRAIN-CUFF	ABS	1	1	SNA
2-6	DB95-20138A	ASS'Y MOTOR-STEPPING	24BYJ48	1	1	SA
3	DB93-02960A	ASS'Y DISPLAY	ASS'Y	1	1	SA
3-1	DB61-02056A	HOLDER DISPLAY	HIPS	1	1	SNA
3-2	DB64-01211A	WINDOW DISPLAY	HIPS	1	1	SNA
3-3	DB93-02806A	ASS'Y PCB DISPLAY	ASS'Y	1	1	SNA
3-4	DB93-01369A	ASS'Y MODULE PCB	ASS'Y	1	1	SA
4	DB63-01448A	COVER TERMINAL	HIPS V0	1	1	SNA
5	DB63-01107B	COVER PCB-DVM	HIPS	1	1	SNA
6	DB61-02050A	HOLDER EVAP	ABS	1	1	SNA
7	DB61-02052A	HOLDER MOTOR	PP	1	1	SNA
8	DB93-03659A	ASS'Y CONTROL IN	ASS'Y	1	1	SNA
9	DB96-05269B	ASS'Y EVAP TOTAL	ASS'Y	-	1	SA
	DB96-05269A	ASS'Y EVAP TOTAL	ASS'Y	1	-	SA
9-1	DB60-00198A	SPACER-EVAP MID	PVC	1	1	SNA
9-2	DB60-00203B	SPACER-EVAP UP	PVC	1	1	SNA
9-3	DB96-05313B	ASS'Y EVAP	FP1.3, H-FIN, 2x12	-	1	SNA
	DB96-05313A	ASS'Y EVAP	FP1.5, H-FIN, 2x12	1	-	SNA
10	DB67-60030A	SPRING-SENSOR	STS 301	1	1	SNA
11	DB94-00674A	ASS'Y BEARING-RUBBER	ASS'Y, CR 45	1	1	SA
12	DB94-00627A	ASS'Y-CROSS FAN	ø83 x 719	1	1	SA
13	DB31-00270A	MOTOR FAN-IN	YDK-20S4D8C-1	1	1	SA
14	DB94-00626D	ASS'Y BACK BODY	ASS'Y	1	1	SA
14-1	DB61-02057A	BODY BACK	HIPS	1	1	SNA
14-2	DB61-02047A	BUSH BODY LF	HIPS	1	1	SNA
14-3	DB61-02048A	BUSH BODY RH	HIPS	1	1	SNA
14-4	DB63-01105A	COVER-IONIZER	HIPS	1	1	SNA
14-5	DB91-00287A	ASS'Y ELECTRIC-IONIZER	ASS'Y	1	1	SA
14-6	DB93-01383G	ASS'Y C/W ION	ASS'Y	1	1	SNA
15	DB61-02051A	HOLDER-PIPE	HIPS	1	1	SNA
16	DB67-00508A	CAP SCREW	HIPS	3	3	SNA

■ Parts List(cont.)

No.	Code No.	Description	Specification	Q'TY		SA/SNA
				MH023FWEA MH026FWEA MH**VW2-07 MH**VW2-09	MH035FWEA MH**VW2-12	
17	DB70-00514A	PLATE-HANGER	SGCC-M, T0.8	1	1	SA
18	DB70-00515A	PLATE CONTACT	SUS 304	1	1	SNA
19	DB70-00516A	PLATE-CONTROL IN	SGCC-M	1	1	SNA
20	DB93-03016R	ASS'Y REMOCON	ARH-1315	1	1	SA
21	DB92-00643C	ASS'Y GRILLE	ASS'Y	1	1	SA
22	DB90-01829J	ASS'Y COVER DISPLAY	ASS'Y	1	1	SNA
22-1	DB63-01108A	COVER DISPLAY	PC	1	1	SNA
22-2	DB64-01276A	INLAY DISPLAY	ACRYL	1	1	SNA
23	DB90-01920A	ASS'Y COVER CONTROL	ASS'Y	1	1	SNA

MEMO

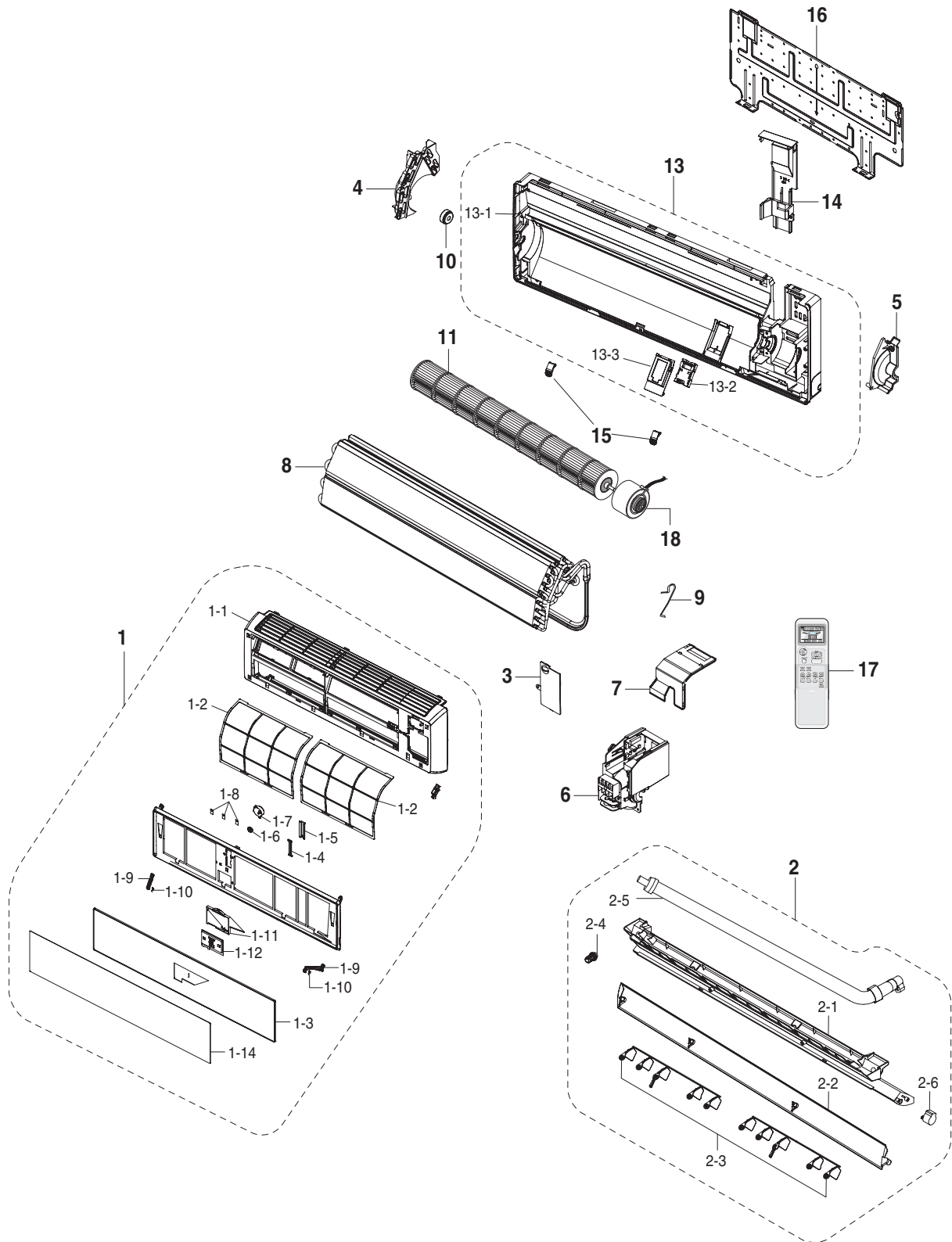
5-1-4 MH052FWEA



■ Parts List

No.	Code No.	Description	Specification	Q'TY	SA/SNA
1	DB92-00658A	ASS'Y PANEL FRONT	ASS'Y	1	SA
1-1	DB64-01263B	PANEL FRONT	HIPS	1	SNA
1-2	DB63-01192A	FILTER-PRE	PP	2	SNA
2	DB94-00653F	ASS'Y TRAY DRAIN	ASS'Y	1	SA
2-1	DB63-01193A	TRAY DRAIN	ABS	1	SNA
2-2	DB61-02198A	BLADE-H	ABS	1	SA
2-3	DB61-02197A	BLADE-V	PP	2	SA
2-4	DB73-00234A	RUBBER-CAP DRAIN	CR	1	SA
2-5	DB94-00062L	ASS'Y DRAIN-HOSE	ASS'Y	1	SA
2-5-1	DB67-00510A	DRAIN-CUFF	ABS	1	SNA
2-6	DB31-00285A	MOTOR STEPPING	35BYJ46-276	1	SA
3	DB93-02960B	ASS'Y DISPLAY	ASS'Y	1	SA
3-1	DB61-02196A	HOLDER-DISPLAY	HIPS	1	SNA
3-2	DB64-01302A	WINDOW-DISPLAY	HIPS	1	SNA
3-3	DB93-02806A	ASS'Y PCB DISPLAY	ASS'Y	1	SNA
3-4	DB93-01369A	ASS'Y PCB-MODULE	ASS'Y	1	SA
4	DB63-01195A	COVER TERMINAL	HIPS V0	1	SNA
5	DB63-01194B	COVER PCB	HIPS	1	SNA
6	DB61-02194A	HOLDER-EVAP	ABS	1	SNA
7	DB94-00727A	ASS'Y HOLDER-MOTOR	ASS'Y	1	SA
8	DB93-03660A	ASS'Y CONTROL IN	ASS'Y	1	SNA
9	DB96-05264A	ASS'Y EVAP-TOTAL	ASS'Y	1	SA
10	DB67-60030A	SPRING-SENSOR	STS 301	1	SNA
11	DB94-00674A	ASS'Y RUBBER BEARING	ASS'Y	1	SA
12	DB94-00040X	ASS'Y-CROSS FAN	ASS'Y	1	SA
13	DB31-10151E	MOTOR-FAN IN	220/240V, 60/50Hz	1	SA
14	DB94-00652A	ASS'Y BACK BODY	ASS'Y	1	SA
14-1	DB61-02190A	BODY BACK	HIPS	1	SNA
14-2	DB61-02191A	BUSH-BODY LF	HIPS	1	SNA
14-3	DB61-02199A	BUSH-BODY RH	HIPS	1	SNA
14-4	DB63-01105A	COVER-IONIZER	HIPS	1	SNA
14-5	DB91-00287A	ASS'Y ELECTRIC-IONIZER	ASS'Y	1	SA
14-6	DB93-01383E	ASS'Y CONNECTOR WIRE	ASS'Y	1	SNA
15	DB61-02195A	HOLDER-PIPE	HIPS	1	SNA
16	DB67-00540A	CAP-SCREW	HIPS	3	SNA
17	DB70-00536A	PLATE-HANGER	SGCC-M, T0.8	1	SA
18	DB70-00515A	PLATE-CONTACT	SUS 304	2	SNA
19	DB93-03016R	ASS'Y REMOCON	ARH-1315	1	SA
20	DB92-00657A	ASS'Y GRILLE	ASS'Y	1	SA
21	DB90-01869E	ASS'Y COVER-DISPLAY	ASS'Y	1	SA
21-1	DB63-01196A	COVER DISPLAY	PC	1	SNA
21-2	DB64-01276A	INLAY-DISPLAY	ACRYL	1	SNA
22	DB90-01932A	ASS'Y COVER CONTROL	ASS'Y	1	SA
23	DB60-00204A	SPACER-EVAP MID	PVC	1	SNA
24	DB94-00724A	ASS'Y SPACER-EVAP UP	ASS'Y, PVC	1	SNA

5-1-5 MH023FVEA/MH026FVEA/MH035FVEA/MH052FVEA/MH18VV1-09/MH19VV1-07/MH19VV1-12



■ Parts List(cont.)

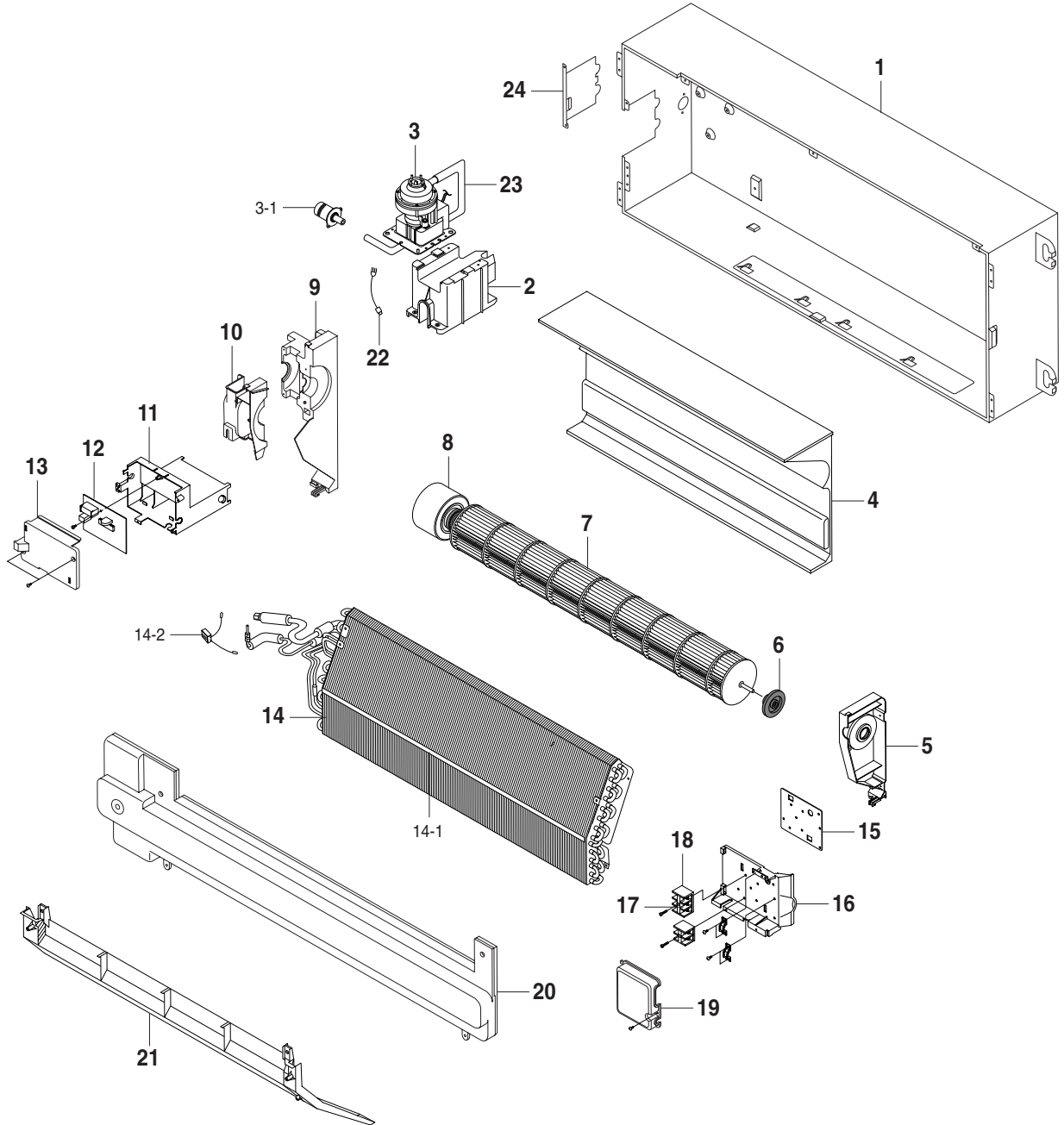
No.	Code No.	Description	Specification	Q'TY		SA/SNA
				MH023FVEA MH026FVEA MH18VV1-09 MH19VV1-07 MH035FVEA MH19VV1-12	MH052FVEA	
1	DB92-00927G	ASS'Y PANEL FRONT	ASS'Y HALF MIRROR	1	-	SNA
	DB92-00926D	ASS'Y PANEL FRONT	ASS'Y HALF MIRROR	-	1	SNA
1-1	DB64-01633A	PANEL FRONT	HIPS,EMPIRE SILVER	1	-	SA
	DB64-01638A	PANEL FRONT	HIPS,EMPIRE SILVER	-	1	SA
1-2	DB63-01593A	FILTER-PRE	PP,GRAY	2	-	SA
	DB63-01594A	FILTER-PRE	PP,GRAY	-	2	SA
1-3	DB64-01634A	PANEL-MID	HIPS,EMPIRE SILVER	1	-	SA
	DB64-01639A	PANEL-MID	HIPS,EMPIRE SILVER	-	1	SA
1-4	DB66-01152A	LINK-GRILLE	POM,WHITE	1	1	SA
1-5	DB66-01156A	GEAR-RACK	POM,WHITE	1	1	SA
1-6	DB66-01155A	GEAR-PINION	POM,WHITE	1	1	SA
1-7	DB31-00369B	MOTOR STEP	ASS'Y	1	1	SA
1-9	DB66-01176A	LINK-SUPPORT	POM,WHITE	4	4	SA
1-10	DB61-03139A	SPRING ETC-GRILLE	STS	2	2	SA
1-11	DB63-01630A	COVER-DISPLAY	ABS-FR(17)	1	1	SA
1-12	DB93-04452B	ASS'Y DISPLAY	ASS'Y	1	1	SA
1-13	DB61-02910A	FRAME-GRILLE	ASS'Y	1	1	SA
1-14	DB64-01724A	WINDOW-MIRROR	ACRYL	1	-	SNA
	DB64-01725A	WINDOW-MIRROR	ACRYL	-	1	SNA
2	DB94-01237A	ASS'Y TRAY DRAIN	ASS'Y	1	-	SA
	DB94-01245A	ASS'Y TRAY DRAIN	ASS'Y	-	1	SA
2-1	DB63-01578A	TRAY DRAIN	ASS'Y	1	-	SA
	DB63-01581A	TRAY DRAIN	ASS'Y	-	1	SA
2-2	DB61-02908A	BLADE-H	ABS, EMPIRE SILVER	1	-	SA
	DB61-02914A	BLADE-H	ABS, EMPIRE SILVER	-	1	SA
2-3	DB61-01636A	BLADE-V	PP	2	-	SA
	DB61-01976A	BLADE-V	PP	-	2	SA
2-4	DB73-00180A	RUBBER-CAP DRAIN	GUM-EPM	1	1	SNA
2-5	DB94-00458B	ASS'Y DRAIN-HOSE	ASS'Y	1	1	SA
2-6	DB31-00371A	MOTOR STEP	ASS'Y	1	-	SA
	DB31-00370A	MOTOR STEP	ASS'Y	-	1	SA
3	DB63-00844D	COVER-TERMINAL	HIPS,V0	1	-	SA
	DB63-01063C	COVER-TERMINAL	HIPS,V0	-	1	SA
4	DB63-00850A	COVER-BEARING	ABS,BLACK	1	-	SNA
	DB63-01065A	COVER-BEARING	ABS,BLACK	-	1	SNA
5	DB96-03149A	ASS'Y EVAP-SUPPORT RH	ASS'Y	1	-	SA
	DB96-03817A	ASS'Y EVAP-SUPPORT RH	ASS'Y	-	1	SA
6	DB93-04636A	ASS'Y CONTROL IN	ASS'Y	1	-	SNA
	DB93-04664A	ASS'Y CONTROL IN	ASS'Y	-	1	SNA

■ Parts List(cont.)

No.	Code No.	Description	Specification	Q'TY		SA/SNA
				MH023FVEA MH026FVEA MH18VV1-09 MH19VV1-07 MH035FVEA MH19VV1-12	MH052FVEA	
7	DB90-02167B	ASS'Y COVER-CONTROL IN	ASS'Y	1	-	SA
	DB90-02082A	ASS'Y COVER-CONTROL IN	ASS'Y	-	1	SA
8	DB96-07613A	ASS'Y EVAP-TOTAL	ASS'Y	1	-	SNA
	DB96-06587D	ASS'Y EVAP-TOTAL	ASS'Y	-	1	SNA
9	DB67-60030A	SPRING-SENSOR	STS301	2	2	SNA
10	DB94-00455A	ASS'Y BEARING-RUBBER	ASS'Y	1	1	SA
11	DB94-00456A	ASS'Y-CROSS FAN	ASS'Y	1	-	SA
	DB94-00456B	ASS'Y-CROSS FAN	ASS'Y	-	1	SA
12	DB31-00219A	MOTOR FAN	ASS'Y	1	-	SA
	DB31-00267A	MOTOR FAN	ASS'Y	-	1	SA
13	DB94-01152B	ASS'Y-BODY BACK	ASS'Y	1	-	SA
	DB94-01153B	ASS'Y-BODY BACK	ASS'Y	-	1	SA
13-1	DB61-03028A	BODY BACK	HIPS	1	-	SA
	DB61-03029A	BODY BACK	HIPS	-	1	SA
13-2	DB93-04230A	ASS'Y-COMPACT MPI	ASS'Y	1	-	SA
13-3	DB63-01583A	COVER-MPI	HIPS	1	-	SA
14	DB61-01638B	HOLDER-PIPE	HIPS	1	-	SA
	DB61-01981B	HOLDER-PIPE	HIPS	-	1	SA
15	DB67-00499C	CAP-SCREW	HIPS,EMPIRE SILVER	2	2	SA
16	DB70-00406A	PLATE-HANGER	SGCC-M	1	-	SNA
	DB70-00505A	PLATE-HANGER	SGCC-M	-	1	SNA
17	DB93-04394R	ASS'Y REMOCON	ASS'Y	1	-	SA

MEMO

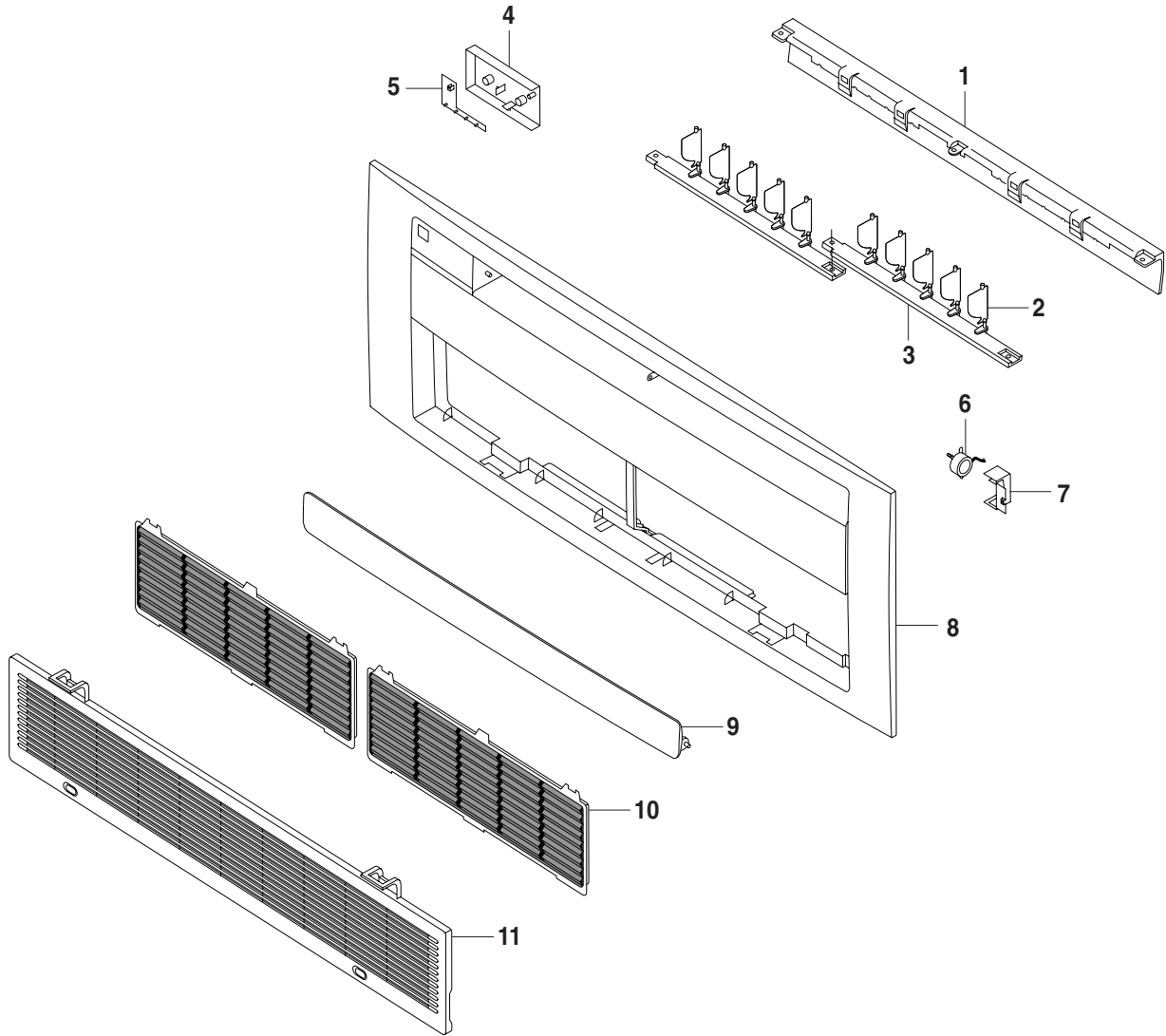
5-1-6 MH026FKEA/MH035FKEA



■ Parts List

No.	Code No.	Description	Specification	Q'TY	SA/SNA
1	DB90-00588E	ASS'Y CABINET IN	ASS'Y	1	SA
2	DB61-00364A	HOLDER DRAIN PUMP	Fire-Resistant P.S(V0)	1	SNA
3	DB31-00303A	DRAIN PUMP	FUJIKOKI	1	SA
3-1	DB31-00303A	DRAIN HOSE-SOCKET	POM	1	SNA
4	DB69-00298A	CUSHION BODY	EPS	1	SNA
5	DB61-00363A	CASE-FAN SIDE	Fire-Resistant P.S(V0)	1	SNA
6	DB94-00066A	ASS'Y BEARING	ASS'Y	1	SNA
7	DB94-00040K	ASS'Y CROSS FAN	ASS'Y	1	SA
8	DB31-10078M	MOTOR FAN	PFS040WTVE	1	SA
9	DB61-00354A	HOUSING MOTOR	Fire-Resistant P.S(V0)	1	SNA
10	DB63-00165A	COVER FAN MOTOR	Fire-Resistant P.S(V0)	1	SA
11	DB61-00362A	CASE CONTROL	Fire-Resistant P.S(V0)	1	SNA
12	DB93-02335D	ASS'Y PCB	ASS'Y	1	SA
13	DB63-00167A	COVER CONTROL	ASS'Y	1	SA
14	DB96-01190H	ASS'Y EVAP-IN	ASS'Y	1	SA
14-1	DB60-00057A	SPACER EVAP	ABS	1	SA
14-2	DB32-00035B	THERMISTOR-ASS'Y	103AT	1	SA
15	DB61-00365A	BRACKET TERMINAL	SGCC-M	1	SNA
16	DB61-00394A	BASE TERMINAL	ABS	1	SNA
17	DB65-00004B	TERMINAL BLOCK	DAF 2P	1	SA
18	DB65-00004C	TERMINAL BLOCK	DAF 4P	1	SA
19	DB63-00168A	COVER TERMINAL	Fire-Resistant P.S(V0)	1	SA
20	DB94-00084A	ASS'Y DRAIN	ASS'Y	1	SA
21	DB94-00290A	ASS'Y DRAIN PAN SUB	ASS'Y	1	SA
22	DB95-00131A	ASS'Y SENSOR FLOAT	ASS'Y	1	SA
23	DB62-02199A	VALVE CHECK	ASS'Y	1	SA
	DB67-00382A	HOSE DRAIN	DURITE-01	1	SA
24	DB90-00589A	ASS'Y CABINET-SIDE LF	ASS'Y	1	SA

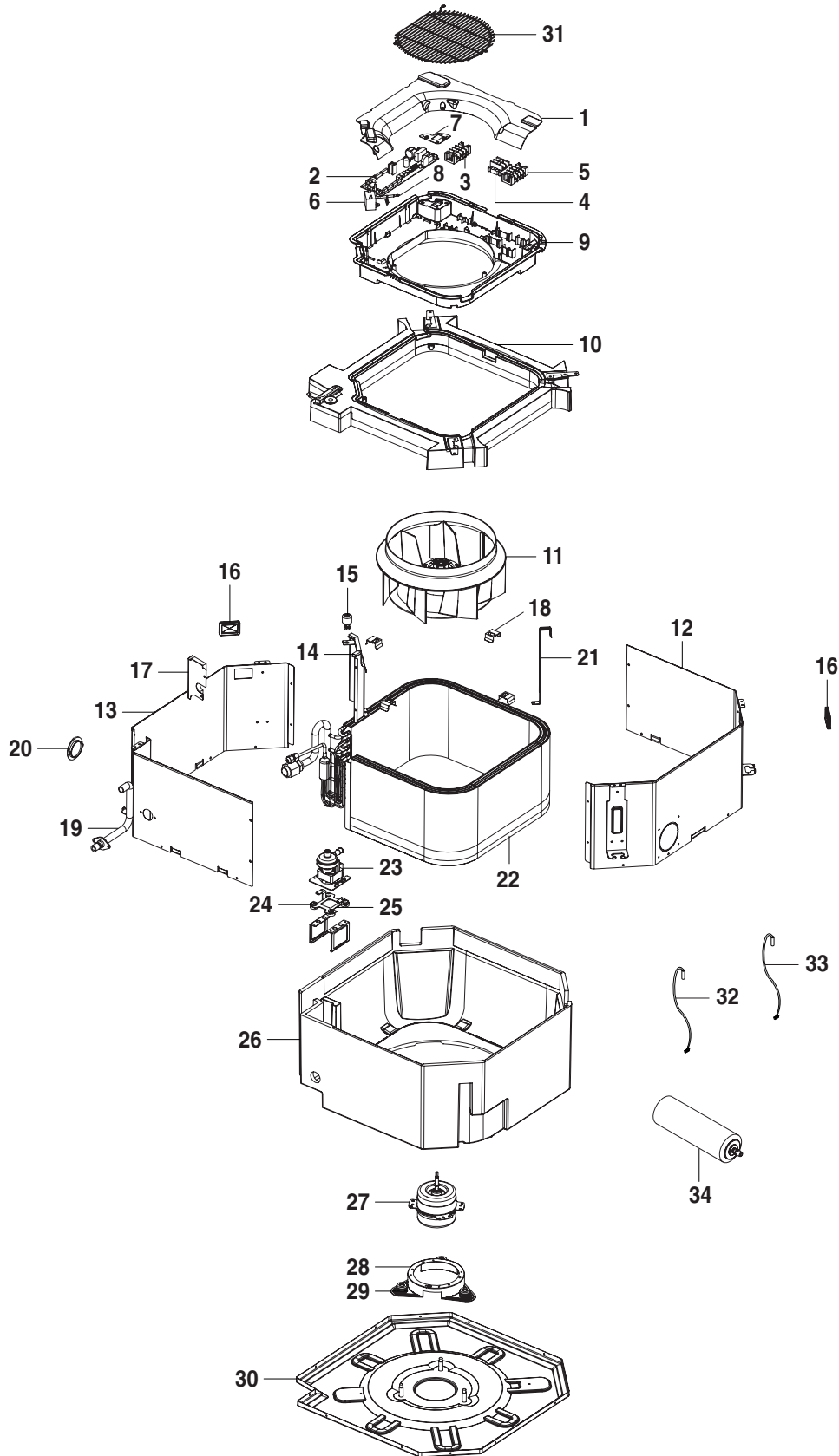
■ PISMA(1 way Cassette Panel)



■ Parts List

No.	Code No.	Description	Specification	Q'TY	SA/SNA
1	DB63-00164A	COVER BLADE	HIPS (UL94-V0)	1	SA
2	DB66-00160A	BLADE-V	HIPS (UL94-V0)	10	SA
3	DB66-00157A	LINK BLADE-LF	POM	2	SA
4	DB63-00163A	COVER PCB CASE	HIPS (UL94-V0)	1	SA
5	DB93-04488A	ASS'Y PCB DISPLAY	-	1	SA
6	DB31-10153D	MOTOR STEP	MSFCC20A05	1	SA
7	DB61-00535A	HOLDER MOTOR	HIPS (UL94-V0)	1	SNA
8	DB64-00234B	PANEL FRONT	HIPS (UL94-V0)	1	SA
9	DB66-00159C	BLADE-H	HIPS (UL94-V0)	1	SA
10	DB64-00243B	GRILLE FRONT	HIPS (UL94-V0)	1	SA
11	DB64-00244A	GRILLE INLET AIR	PP	1	SA

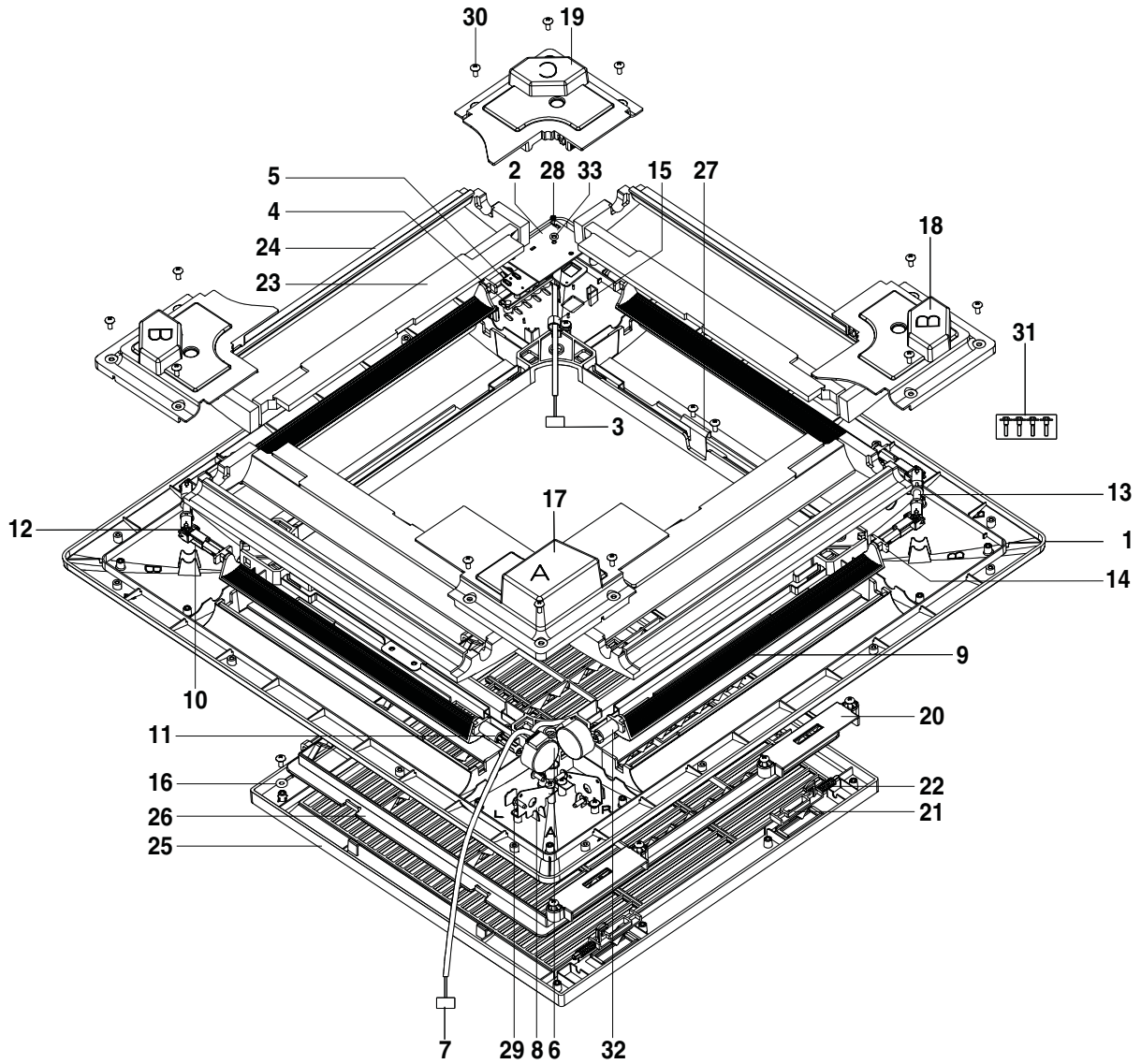
5-1-7 MH030FMEA/MH035FMEA/MH052FMEA



■ Parts List

No.	Code No.	Description	Specification	Q'TY		SA/SNA
				MH030FMEA MH035FMEA	MH052FMEA	
1	DB63-01367A	COVER CONTROL	ABS(V0),T2.0	1	1	SNA
2	DB93-04102A	ASS'Y PCB MAIN	MINI 4WAY CASSETTE	1	1	SNA
3	DB65-00029M	TERMINAL BLOCK 4P	1(L),2(N),Vc,Vc	1	1	SA
4	DB65-00182A	TERMINAL BLOCK 2P	F1,F2	1	1	SA
5	DB65-00029Z	TERMINAL BLOCK 4P	V1,V2,F3,F4	1	1	SA
6	2301-001378	C-FILM,LEAD-OTHER	450VAC,3.5uF	1	1	SA
7	DB61-02499A	BRACKET EARTH WIRE	SGCC-M,T1.0	1	1	SA
8	DB32-00067D	THERMISTOR WIRE IN PCB	103AT,-20~100°C	1	1	SA
9	DB61-02486A	BASE CONTROL	ABS(V0),T2.0	1	1	SNA
10	DB94-00826A	ASS'Y DRAIN PAN	MINI 4WAY CASSETTE	1	1	SA
11	DB94-00812A	ASS'Y FAN TURBO	SAN+GF20%	1	1	SA
12	DB90-02221A	ASS'Y CABI SIDE A	MINI 4WAY CASSETTE	1	1	SA
13	DB90-02220A	ASS'Y CABI SIDE B	MINI 4WAY CASSETTE	1	1	SA
14	DB94-00847A	ASS'Y PARTITION	MINI 4WAY CASSETTE	1	1	SA
15	DB95-00131D	ASS'Y SENSOR FLOAT	250mm,MINI 4WAY CASSETTE	1	1	SA
16	DB73-00307A	RUBBER WIRE HOLE	NBR 45°C	2	2	SNA
17	DB90-02225A	ASS'Y COVER PIPE	MINI 4WAY CASSETTE	1	1	SA
18	DB61-02527A	HOLDER EVAP	STS304,T0.7	4	4	SA
19	DB94-00846A	ASS'Y DRAIN HOSE	MINI 4WAY CASSETTE	1	1	SA
20	DB90-01010A	ASS'Y COVER DRAIN	CH040EZM,NEW 4WAY CASSETTE	1	1	SNA
21	DB61-02490A	GUIDE EVAP	STS304,T0.7	1	1	SA
22	DB96-05977B	ASS'Y EVAP UNIT	MINI 4WAY CASSETTE	1	-	SNA
	DB96-05354C	ASS'Y EVAP UNIT	MINI 4WAY CASSETTE	-	1	SNA
23	DB31-00303A	PUMP DRAIN	FUJIKOKI,220V 50Hz,60Hz	1	1	SA
24	DB73-00022C	RUBBER PUMP	EPDM+BUTYL,40~45°	4	4	SNA
25	DB61-02492A	BRACKET PUMP	SGCC-M,T1.5	1	1	SA
26	DB90-02223A	ASS'Y BASE CUSHION	MINI 4WAY CASSETTE	1	1	SA
27	DB31-00305A	MOTOR FAN	ASS035WTV,4WAYMINI- PJT,50Hz	1	1	SA
28	DB61-02495A	BRACKET MOTOR IN	SGCC-M,T1.2	1	1	SA
29	DB63-01407A	GROMMET MOTOR	NR,35°	3	3	SA
30	DB90-02222A	ASS'Y CABI BASE	MINI 4WAY CASSETTE	1	1	SA
31	DB63-01372A	GUARD SAFTY	HSWR,T2.5	1	1	SA
32	DB32-00066E	THERMISTOR EVAP IN	300mm,MINI 4WAY CASSETTE	1	1	SA
33	DB32-00029K	THERMISTOR EVAP OUT	280mm,MINI 4WAY CASSETTE	1	1	SA
34	DB97-04440A	ASS'Y DRAIN HOSE INSTALL	MINI 4WAY CASSETTE	1	-	SNA
	DB97-04440B	ASS'Y DRAIN HOSE INSTALL	MINI 4WAY CASSETTE	-	1	SNA

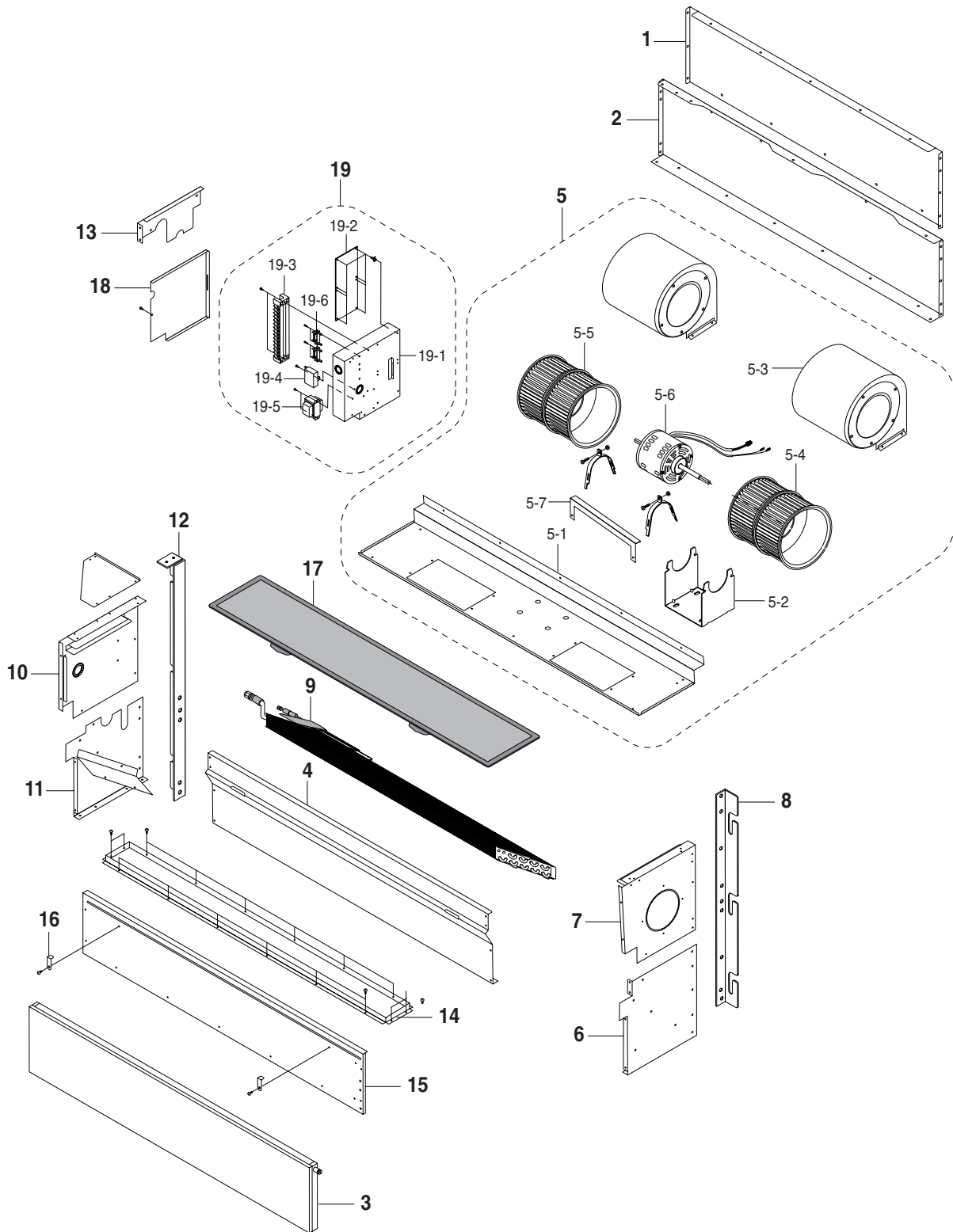
■ PMSMA(Mini 4 way Cassette Panel)



■ Parts List

No.	Code No.	Description	Specification	Q'TY	SA/SNA
1	DB64-01421A	PANEL-FRONT	ABS,T3.0,WHT	1	SA
2	DB93-02803A	ASS'Y PCB MAIN	ASS'Y	1	SA
3	DB39-00082E	CONNECT WIRE-DISPLAY PCB	L990mm	1	SA
4	DB64-01422A	BUTTON-PCB	ABS,BLK	1	SA
5	DB64-01424A	INLAY-PCB	PC,WHT	1	SA
6	DB31-00285A	MOTOR STEPPING	35BYJ46-276,800G.CM,12V	2	SA
7	DB39-00542E	CONNECT WIRE-STEP MOTOR	L320mm	1	SA
8	DB61-02485B	BRACKET MOTOR-PANEL	SGCC-M,T0.8	2	SA
9	DB66-01008A	BLADE-H	PBT/ABS,T3.5	4	SA
10	DB61-01871A	CONNECTOR-BLADE	POM,NTR	4	SA
11	DB61-02480A	CONNECTOR-MOTOR A	POM,NTR	1	SA
12	DB66-00756A	JOINT UNIVERSAL	POM,NTR	4	SA
13	DB66-01009A	LINK-BLADE	POM,NTR	2	SA
14	DB61-02488A	BUSH-MINI	POM,NTR	8	SA
15	DB65-10074D	CLAMP-CABLE	DA-4N	2	SA
16	DB65-00023A	CLIP-WIRE-ASS'Y	L130mm	1	SA
17	DB63-01364A	COVER-A	ABS(V0),BLK	1	SA
18	DB63-01366A	COVER-B	ABS(V1),BLK	2	SA
19	DB63-01377A	COVER-C	ABS(V2),BLK	1	SA
20	DB63-01036A	COVER-KNOB	HIPS,UL94-HB,WHT	2	SA
21	DB64-01145A	KNOB-SLIDE	HIPS,94HB,HG-0760,WHT	2	SA
22	DB67-00030A	SPRING-KNOB	STS304,T0.5	2	SA
23	DB69-01269A	CUSHION-IN	EPS,30	4	SA
24	DB69-01270A	CUSHION-OUT	EPS,30	4	SA
25	DB64-01420A	GRILLE-AIR INLET	ABS,WHT	1	SA
26	DB63-01423A	FILTER-PRE MINI	PP,BLK,ANTI BACTERIAL FILTER	1	SA
27	DB70-00302A	PLATE-HANGER	STS304,T0.5	2	SA
28	6002-000534	SCREW-TAPPING	PH,2S,M3,L8,ZPC(BLK),SWRCH18A	1	SNA
29	6002-000536	SCREW-TAPPING	PH,2S,M4,ZPC(YEL)	4	SNA
30	6002-001079	SCREW-TAPPING	TH,2S,M4,L10	27	SNA
31	6011-001493	BOLT-HEX	M6,L10,ZPC(YEL),SWRM18A	4	SA
32	DB61-02480B	CONNECTOR-MOTOR B	POM,NATURAL	1	SA
33	-	WASHER	-	1	SNA

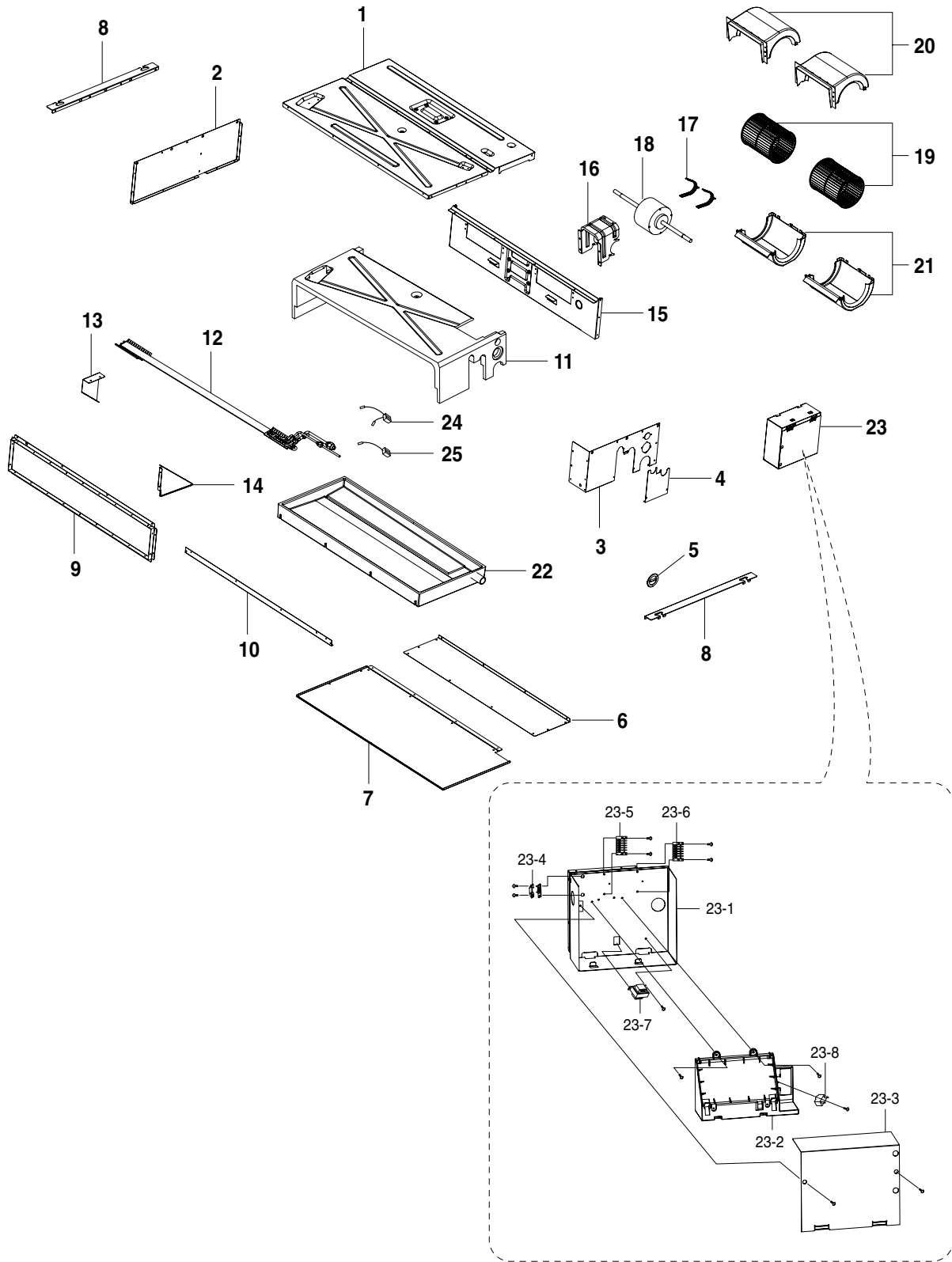
5-1-8 MH052FDEA



■ Parts List

No.	Code No.	Description	Specification	Q'TY	SA/SNA
1	DB63-00076A	COVER-TOP	SGCC-M T0.8	1	SNA
2	DB63-00074A	COVER-CASE DUCT	SGCC-M T0.8	1	SNA
3	DB94-00022A	ASS'Y-DRAIN PAN	ASS'Y, BLK	1	SA
4	DB61-00099A	CASE-BOTTOM	SGCC-M, T0.8	1	SNA
5	DB94-00023C	ASS'Y-BLOWER DUCT	ASS'Y	1	SA
5-1	DB64-00071A	PANEL-DUCT HOLDER	SGCC-M, T1.2	1	SNA
5-2	DB61-00155A	BRACKET-MOUNT MOTOR	SGCC-M, T2.0	1	SNA
5-3	DB90-00121A	ASS'Y-CASE FAN	ASS'Y	2	SNA
5-4	DB67-00046A	BLOWER-LF	SGCC-M, ø175	1	SA
5-5	DB67-00046B	BLOWER-RH	SGCC-M, ø175	1	SA
5-6	DB31-00025A	MOTOR-FAN IN	OSME-1004 SAC	1	SA
5-7	DB61-00499A	BRACKET-MOTOR GUIDE	SGCC-M, T1.6	1	SNA
6	DB90-00117A	ASS'Y-CABINET LF	ASS'Y	1	SA
7	DB90-00119C	ASS'Y-CABINET INLET LF	ASS'Y	1	SNA
8	DB70-00026B	PLATE-HANGER LF	SGCC-M, T2.0	1	SA
9	DB96-03225F	ASS'Y-EVAP UNIT	ASS'Y	1	SA
10	DB90-00120C	ASS'Y-CABINET INLET RH	ASS'Y	1	SNA
11	DB90-00118A	ASS'Y-CABINET SIDE RH	ASS'Y	1	SA
12	DB70-00027B	PLATE-HANGER RH	SGCC-M, T2.0	1	SA
13	DB64-00121A	CABINET-SIDE RH B	SGCC-M, T0.8	1	SNA
14	DB90-00113A	ASS'Y-HOLDER OUTLET	ASS'Y	1	SA
15	DB90-00114A	ASS'Y-COVER BOTTOM	ASS'Y	1	SA
16	DB71-00019A	PLATE-HANDLE	SGCC-M, T1.2	2	SA
17	DB74-00006A	FILTER-PRE	PE, 36x40	1	SA
18	DB63-00186A	COVER-CONTROL	SGCC-M, T0.8	1	SNA
19	DB93-01037Y	ASS'Y-CONTROL IN	ASS'Y	1	SA
19-1	DB90-00282A	ASS'Y-CASE CONTROL	ASS'Y	1	SNA
19-2	DB93-01764D	ASS'Y-PCB MAIN	DPM24K DUCT IN	1	SA
19-3	DB65-00004H	TERMINAL-BLOCK 6P	DAF-6P	1	SA
	DB65-00004C	TERMINAL-BLOCK 6P	DAF-6P	1	SA
19-4	2301-001369	C-FILM	2.5µF/450VAC	1	SA
19-5	DB26-10065B	TRANS-POWER	DC17 AC230V 50Hz	1	SA
19-6	DB61-40291B	HOLDER-WIRE	PP, T2.0, BLK	2	SNA

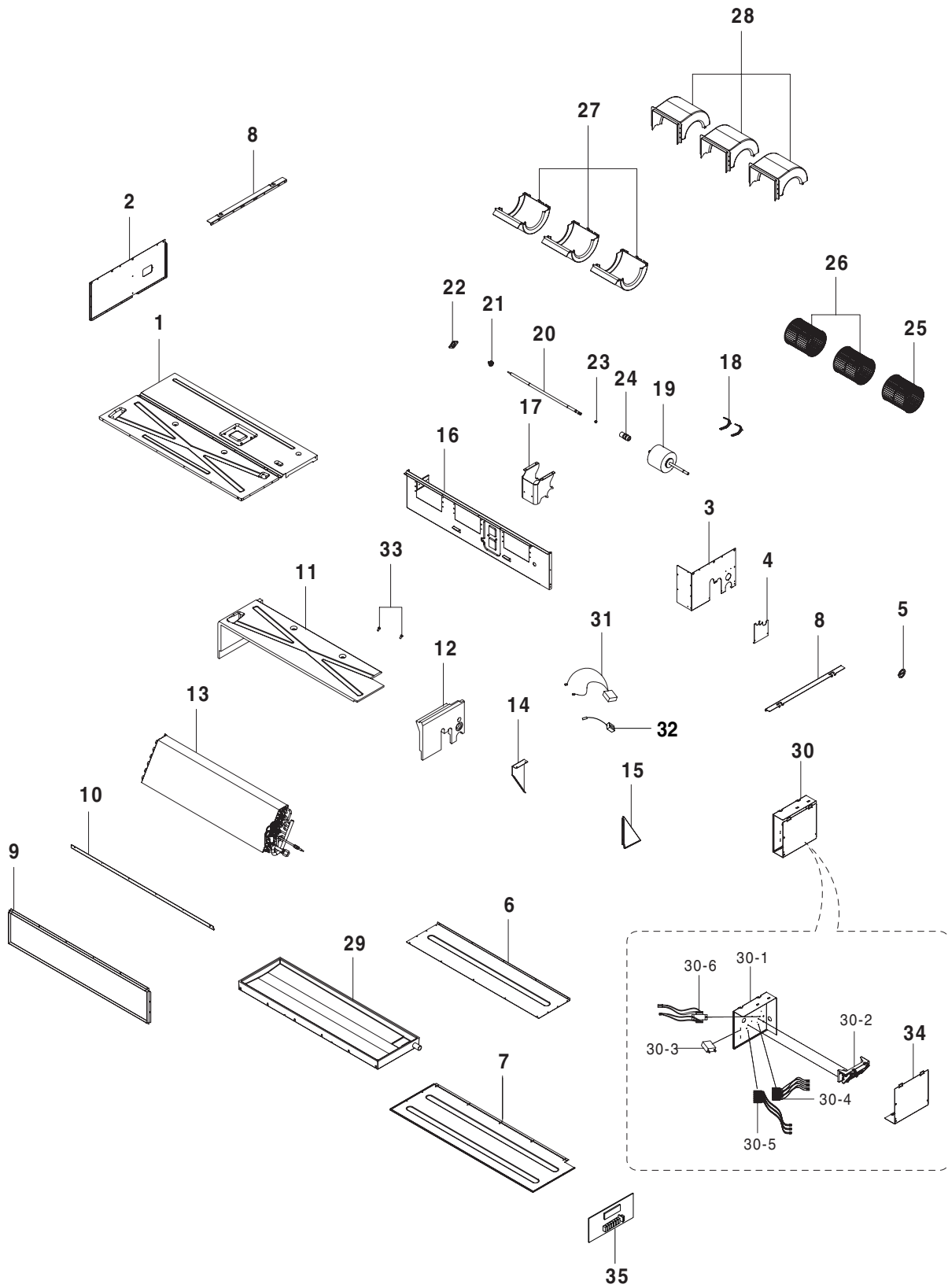
5-1-9 MH023FEEA/MH026FEEA/MH035FEEA



■ Parts List

No.	Code No.	Description	Specification	Q'TY	SA/SNA
1	DB90-02014A	ASS'Y CABINET BASE	ASS'Y	1	SA
2	DB64-01324A	ASS'Y CABINET SIDE LF	ASS'Y	1	SA
3	DB90-01951A	ASS'Y CABINET SIDE RH	ASS'Y	1	SA
4	DB90-01938A	ASS'Y COVER PIPE	ASS'Y	1	SA
5	DB90-01950A	ASS'Y COVER DRAIN PUMP	ABS T2.0	1	SA
6	DB64-01326A	CABINET TOP MOTOR	SGCC-M, T0.8	1	SA
7	DB90-02069A	ASS'Y CABINET TOP EVAP	ASS'Y	1	SA
8	DB61-02274A	PLATE HANGER	SGCC-M T2.0	2	SA
9	DB94-00712A	ASS'Y BRACKET OUTLET	ASS'Y	1	SA
10	DB61-02277A	BRACKET OUTLET SUB	SGCC-M, T0.8	1	SA
11	DB97-03385A	ASS'Y CUSHION BASE	ASS'Y	1	SA
12	DB96-05289A	ASS'Y EVAP UNIT	ASS'Y	1	SA
13	DB90-01978A	ASS'Y SUPPORT EVAP LF	ASS'Y	1	SA
14	DB90-01946A	ASS'Y SUPPORT EVAP RH	ASS'Y	1	SA
15	DB94-00768A	ASS'Y PARTITION	ASS'Y	1	SA
16	DB61-02282A	BRACKET MOTOR	SGCC-M T2.0	1	SA
17	DB99-00669A	ASS'Y BAND MOTOR	SINYA	1	SNA
18	DB31-00312A	MOTOR FAN	SINYA, SSR, PID	1	SA
19	DB67-00565A	BLOWER	ASS'Y, ABS, TORSIONAL BUSH	2	SA
20	DB90-01947A	ASS'Y CASE BLOWER UPPER	ASS'Y	2	SA
21	DB90-01948A	ASS'Y CASE BLOWER BOTTOM	ASS'Y	2	SA
22	DB94-00716A	ASS'Y DRAIN PAN	ASS'Y	1	SNA
23	DB93-03321C	ASS'Y CONTROL IN	ASS'Y	1	SA
23-1	DB90-01941A	ASS'Y CASE CONTROL	ASS'Y	1	SA
23-2	DB61-02287A	CASE PCB	ABS T2.5	1	SA
23-3	DB63-01237A	COVER CONTROL	SGCC-M T0.5	1	SA
23-4	DB61-40291A	HOLDER WIRE	PP BLACK	1	SNA
23-5	DB65-00105L	TERMINAL BLOCK 6P	6P, POWER	1	SNA
23-6	DB65-00105M	TERMINAL BLOCK 6P	6P, COMMUNICATION	1	SNA
23-7	DB26-10070G	TRANS POWER	230V, 50HZ	1	SNA
23-8	2301-001370	CAPACITOR	450V 1.5μF	1	SA
24	DB32-00142A	ASS'Y THERMISTOR	ASS'Y	1	SA
25	DB32-00141A	THERMISTOR EVAP	ASS'Y	1	SNA

5-1-10 MH052FEEA

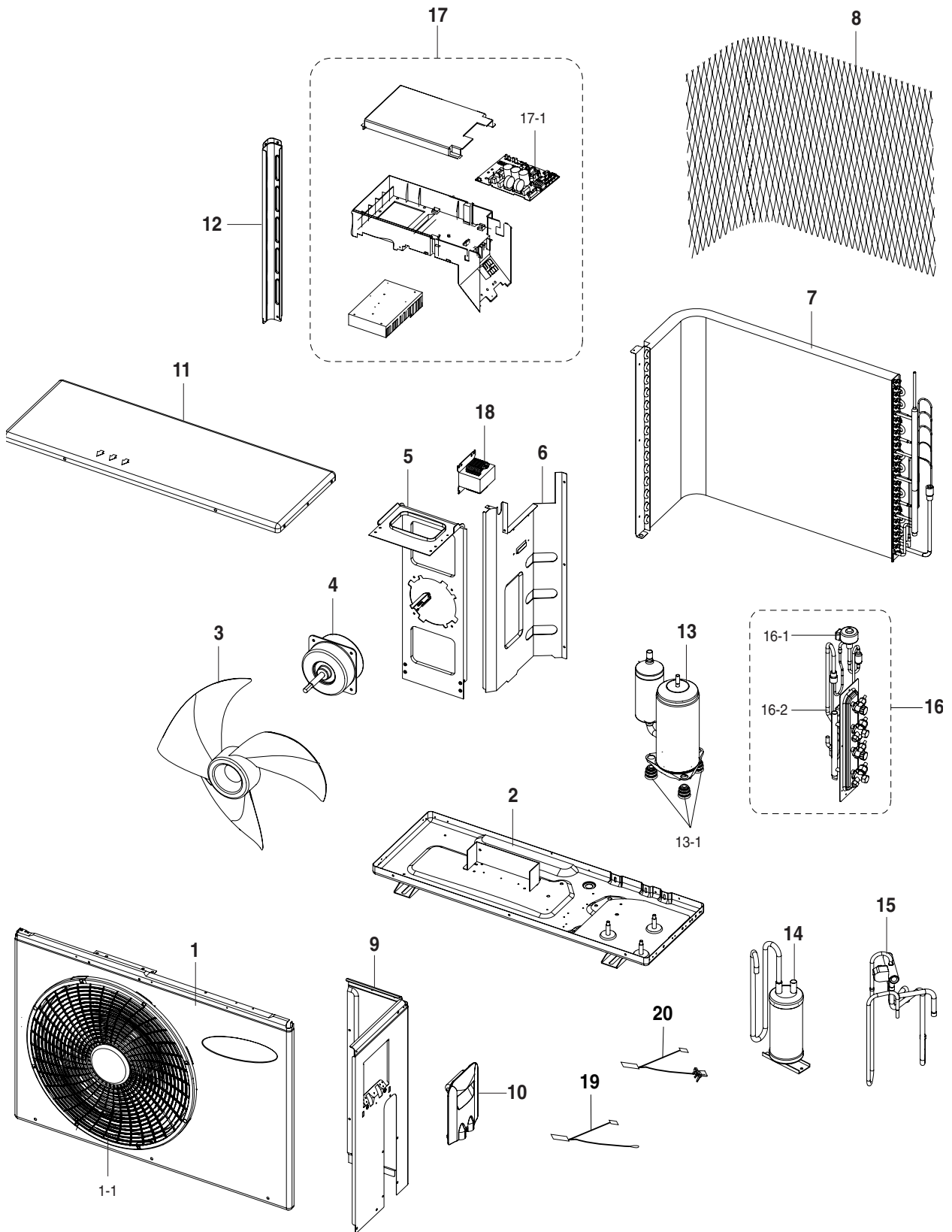


■ Parts List

No.	Code No.	Description	Specification	Q'TY	SA/SNA
1	DB90-02160A	ASS'Y CABI BASE	ASS'Y,SGCC-M,T0.8	1	SA
2	DB64-01324B	CABI SIDE LF	SGCC-M,T0.8	1	SA
3	DB90-01951A	ASS'Y CABI SIDE RH	ASS'Y,SGCC-M,T0.8	1	SA
4	DB90-01938A	ASS'Y COVER PIPE	ASS'Y,SGCC-M,T0.5	1	SA
5	DB90-01950A	ASS'Y COVER DRAIN PUMP	ASS'Y	1	SA
6	DB64-01345A	CABI TOP MOTOR	SGCC-M,T0.8	1	SA
7	DB90-02161A	ASS'Y CABI TOP EVAP	ASS'Y,SGCC-M,T0.8	1	SA
8	DB61-02274A	PLATER HANGER	SGCC-M,T2.0	2	SA
9	DB97-03796A	ASS'Y BRACKET OUTLET	ASS'Y,SGCC-M,T0.8	1	SA
10	DB61-02322A	BRACKET OUTLET SUB	SGCC-M,T0.8	1	SA
11	DB97-03792A	ASS'Y CUSHION BASE A	ASS'Y,EPS 25	1	SA
12	DB97-03791A	ASS'Y CUSHION BASE B	ASS'Y,EPS 25	1	SA
13	DB96-06110A	ASS'Y EVAP UNIT	ASS'Y	1	SA
14	DB90-01978A	ASS'Y SUPPORT EVAP LF	ASS'Y,SGCC-M,T0.8	1	SA
15	DB90-01946A	ASS'Y SUPPORT EVAP RH	ASS'Y,SGCC-M,T0.8	1	SA
16	DB94-00809A	ASS'Y PARTITION	ASS'Y,SGCC-M,T1.0	1	SA
17	DB61-02282A	BRACKET MOTOR	SGCC-M,T2.0	1	SA
18	DB97-03800A	ASS'Y BAND MOTOR	SINYA,ASS'Y	1	SA
19	DB31-00314A	MOTOR	SINYA,50HZ,YSK140-60-4PG	1	SA
20	DB66-01007A	MOTOR SHAFT	SINYA	1	SA
21	DB94-00759A	MOLD BEARING	ASS'Y	1	SA
22	DB67-00581A	CAP BEARING	SGCC-M,T0.8	1	SA
23	DB73-00285A	RUBBER SHAFT	CR V0	1	SA
24	DB96-04902A	COUPLER	ASS'Y	1	SA
25	DB67-00565A	BLOWER A	ASS'Y,ABS	1	SA
26	DB67-00576A	BLOWER B	ASS'Y,ABS	2	SA
27	DB90-01947A	ASS'Y CASE BLOWER UPPER	ASS'Y ABS	3	SA
28	DB90-01948A	ASS'Y CASE BLOWER BOTTOM	ASS'Y ABS	3	SA
29	DB94-01007A	ASS'Y DRAIN	ASS'Y	1	SA
30	DB93-03321J	ASS'Y CONTROL IN	ASS'Y	1	SA
30-1	DB90-01941A	ASS'Y CASE CONTROL	ASS'Y	1	SA
30-2	DB61-02287A	CASE PCB	ABS V0,T2.5,-,-,-,-	1	SA
30-3	2301-001379	CAPACITOR	450V,4U	1	SA
30-4	DB65-00105L	TERMINAL BLOCK 6P	6P,POWER	1	SA
30-5	DB65-00105M	TERMINAL BLOCK 6P	6P,COMMUNICATION	1	SA
30-6	DB26-10070G	TRANS POWER	60HZ	1	SA
31	DB32-00142A	ASS'Y THERMISTOR	ASS'Y	1	SA
32	DB32-00141A	THERMISTOR EVAP	800mm	1	SA
33	DB61-02349A	CLIP BRUSH	NYLON66,BLACK	2	SA
34	DB90-02101A	ASS'Y COVER CONTROL	ASS'Y	1	SA
35	DB93-03809D	ASS'Y PCB	ASS'Y	1	SA

5-2 Outdoor Unit

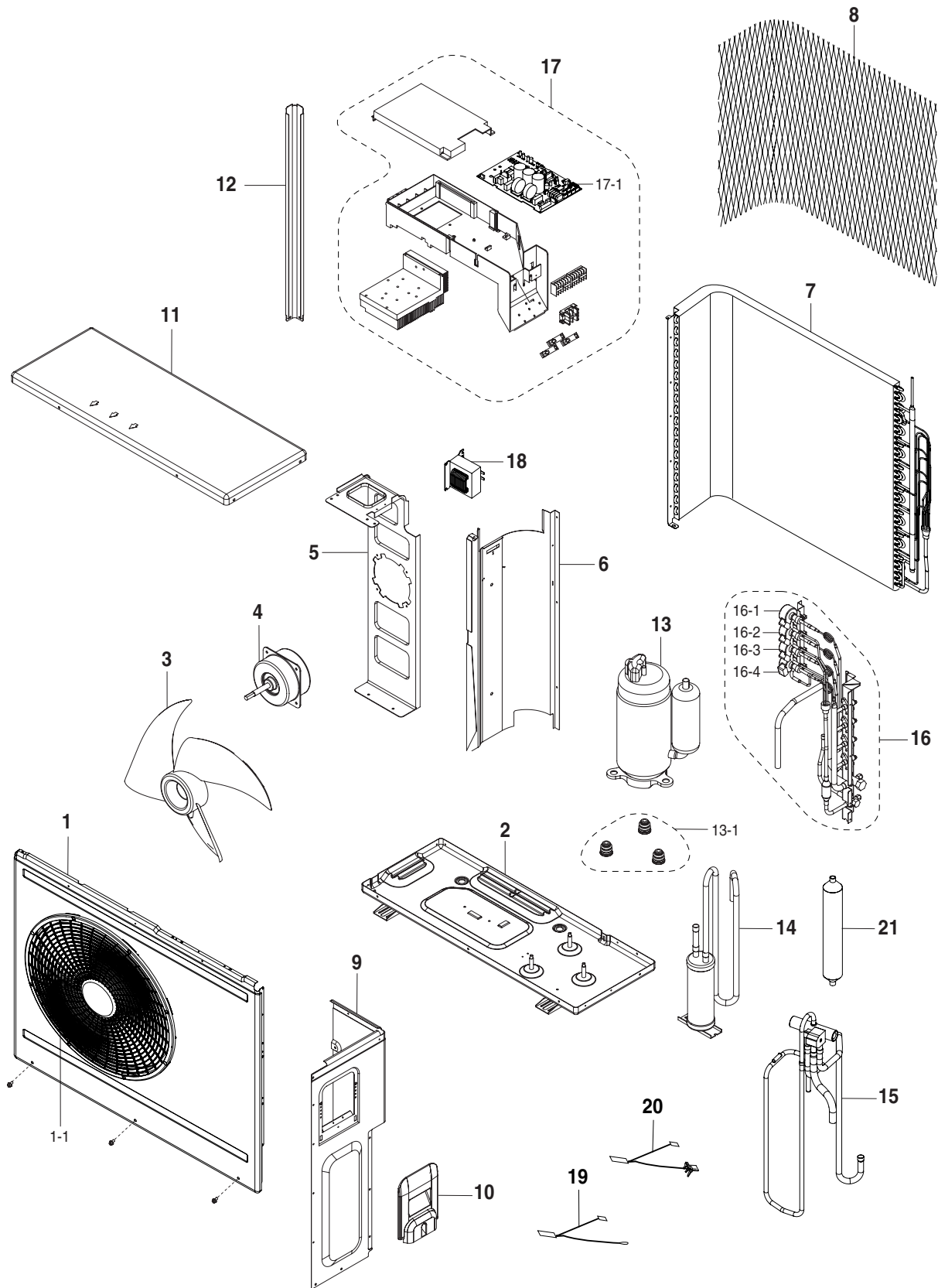
5-2-1 MH040FXEA2/MH052FXEA2/MH14VP2X/MH16VP2X/MH18VP2X/MH19VP2X/MH14VW2X/ MH16VW2X/MH18VW2X/MH19VW2X



■ Parts List

No.	Code No.	Description	Specification	Q'TY	SA/SNA
1	DB90-01364B	ASS'Y CABINET FRONT	ASS'Y	1	SA
1-1	DB63-00831A	GUARD FAN	PP,SC-90073R	1	SA
2	DB90-01908A	ASS'Y BASE OUT	ASS'Y	1	SNA
3	DB67-00438A	FAN PROPELLER	PP	1	SA
4	DB31-00268B	MOTOR FAN	SGCC-M	1	SA
5	DB90-00966B	ASS'Y BRACKET MOTOR	ASS'Y	1	SA
6	DB94-00694A	ASS'Y PARTITION	ASS'Y	1	SNA
7	DB96-04466A	ASS'Y CONDENSER	ASS'Y	1	SA
8	DB61-02364A	GUIDE SCREEN	P.E.H 100%	1	SC
9	DB90-01907A	ASS'Y CABINET SIDE	ASS'Y	1	SA
10	DB90-40176B	ASS'Y COVER CONTROL	ASS'Y	1	SA
11	DB90-10616R	ASS'Y CABINET UPPER	ASS'Y	1	SA
12	DB63-00343A	GUARD CONDENSER	SECC-P	1	SA
13	G4B135LU1EH	ROTARY COMPRESSOR	BLDC PERMANENT MAGNETIC MOTOR	1	SA
13-1	DB73-00070A	GROMMET-ISOLATOR	NR	3	SNA
14	DB96-04469A	ASS'Y TUBE SUCTION	ASS'Y	1	SA
15	DB99-00607A	ASS'Y VALVE 4-WAY	ASS'Y	1	SA
16	DB99-00608A	ASS'Y VALVE	ASS'Y	1	SA
16-1	DB96-04450A	ASS'Y TUBE EEV A	ASS'Y	1	SA
16-2	DB96-04451A	ASS'Y TUBE EEV B	ASS'Y	1	SA
17	DB93-03142A	ASS'Y CONTROL OUT	ASS'Y	1	SA
17-1	DB93-03143A	ASS'Y PCB MAIN	ASS'Y	1	SA
18	DB81-00534A	REACTOR	5MH±5%,40.0±5V	1	SA
19	DB32-00081C	THERMISTOR CONDENSER	103AT,204CTB	1	SA
20	DB32-00083G	THERMISTOR	103AT,204CTB	1	SA

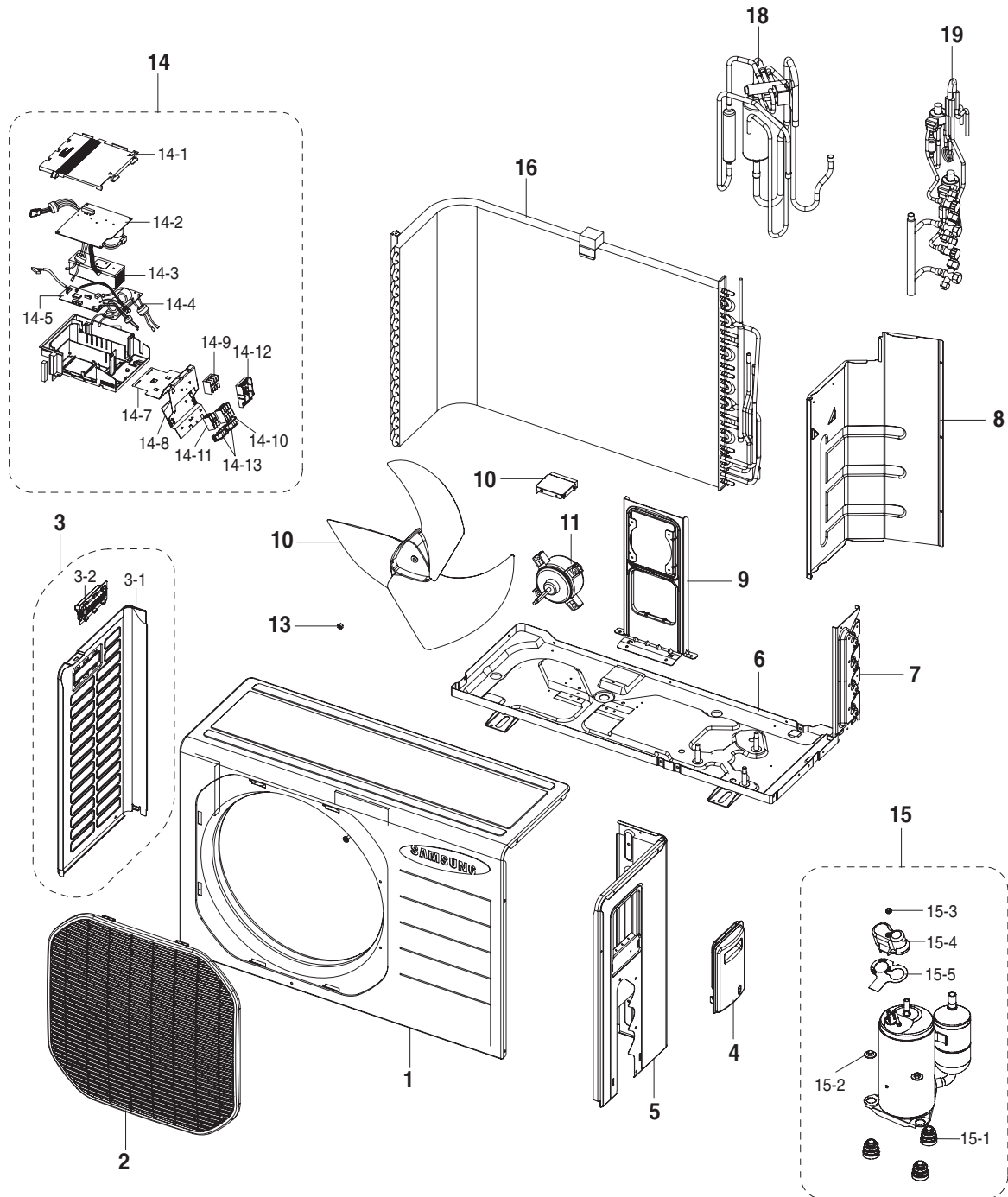
5-2-2 MH068FXEA4/MH080FXEA4/MH30VP2X/MH30VW2X



■ Parts List

No.	Code No.	Description	Specification	Q'TY			SA/SNA
				MH30VP2X MH30VW2X	MH068FXEA4	MH080FXEA4	
1	DB90-01006B	ASS'Y CABINET FRONT	ASS'Y	1	1	1	SA
1-1	DB63-00831A	GUARD FAN	PP,SC-90073R	1	1	1	SA
2	DB90-01049E	ASS'Y BASE OUT	ASS'Y	1	1	1	SNA
3	DB67-00438A	FAN PROPELLER	PP(LUPOL LW4302)	1	1	1	SA
4	DB31-00268A	MOTOR FAN	SGCC-M	1	1	1	SA
5	DB90-01114B	ASS'Y BASE MOTOR	ASS'Y	1	1	1	SNA
6	DB94-00308B	ASS'Y PARTITION	ASS'Y	1	1	1	SNA
7	DB96-03808B	ASS'Y COND	ASS'Y	1	1	1	SNA
8	DB64-00765A	SCREEN GUARD FIN	P.E.H 100%	1	1	1	SA
9	DB90-01008B	ASS'Y CABINET SIDE	ASS'Y	1	1	1	SA
10	DB90-01742A	ASS'Y COVER CONTROL	ASS'Y	1	1	1	SA
11	DB90-01007B	ASS'Y COVER TOP	ASS'Y	1	1	1	SA
12	DB63-01058A	GUARD COND	SECC-P	1	1	1	SA
13	G5T360FU1EK	ROTARY COMPRESSOR	BLDC INVERTER	1	1	1	SA
13-1	DB73-00082A	GROMMET-ISOLATOR	NR	3	3	3	SNA
14	DB96-03803B	ASS'Y TUBE SUCTION	ASS'Y	1	1	1	SA
15	DB96-03788A	ASS'Y 4-WAY VALVE	ASS'Y	1	1	1	SA
16	DB99-00557A	ASS'Y VALVE	ASS'Y	1	1	1	SA
16-1	DB96-03789A	ASS'Y TUBE EEV A	ASS'Y	1	1	1	SA
16-2	DB96-03790A	ASS'Y TUBE EEV B	ASS'Y	1	1	1	SA
16-3	DB96-03791A	ASS'Y TUBE EEV C	ASS'Y	1	1	1	SA
16-4	DB96-03792A	ASS'Y TUBE EEV D	ASS'Y	1	1	1	SA
17	DB93-02892A	ASS'Y CONTROL OUT	ASS'Y	1	-	1	SA
	DB93-02892B	ASS'Y CONTROL OUT	ASS'Y	-	1	-	SA
17-1	DB93-02893A	ASS'Y PCB MAIN	ASS'Y	1	1	1	SA
18	DB81-00534A	REACTOR	5mH±20%,34.0±5%	1	1	1	SA
19	DB32-00081B	THERMISTOR COND	103AT,204CTB	1	1	1	SA
20	DB32-00083D	THERMISTOR WIRE OUT/DISCHARGE	103AT,204CTB	1	1	1	SA
21	DB62-02929A	TUBE RECEIVER	R410A,t=1.52mm	1	1	1	SNA

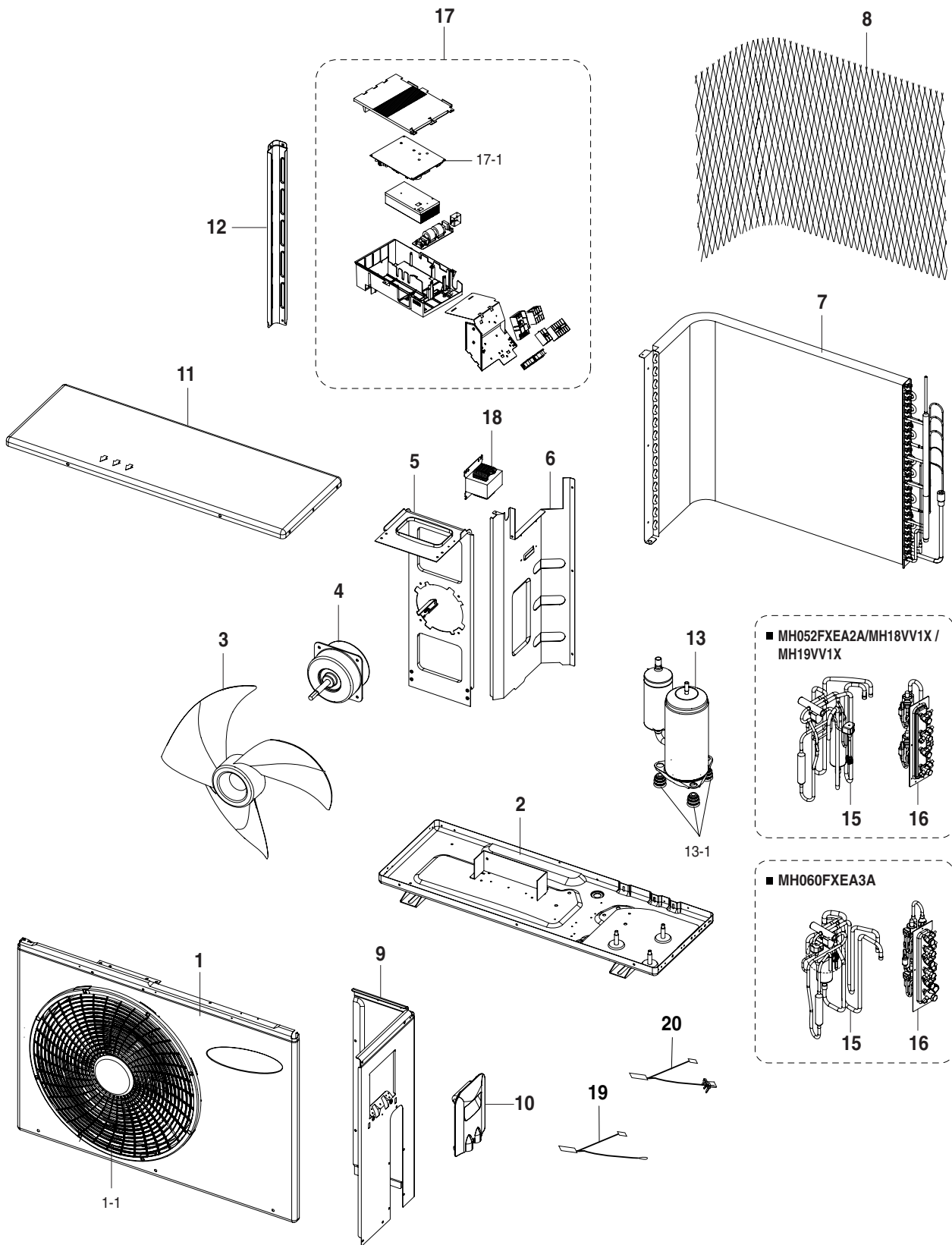
5-2-3 MH040FXEA2A



■ Parts List

No.	Code No.	Description	Specification	Q'TY	SA/SNA
1	DB90-01711E	ASSY CABINET-FRONT	ASSY	1	SNA
2	DB63-00847A	GUARD FAN	SC-90073T	1	SA
3	DB90-01713A	ASSY-CABI SIDE LF	ASSY	1	SA
3-1	DB64-00982A	CABINET-SIDE LF	SECC-P	1	SA
3-2	DB64-00992A	HANDLE-LF	PP	1	SA
4	DB63-01172A	COVER-CONTROL	ABS	1	SA
5	DB90-03097A	ASSY CABINET-SIDE	ASSY	1	SNA
6	DB90-01681D	ASSY BASE OUT	ASSY	1	SNA
7	DB61-03162A	BRACKET-VALVE PAINT	SECC-P	1	SNA
8	DB94-01327A	ASSY PARTITION	ASSY	1	SNA
9	DB61-01644A	BRACKET MOTOR	SECC-P	1	SA
10	DB61-02238A	BRACKET-SUPPORT BASE	SECC-P	3	SA
11	DB31-00431A	MOTOR FAN-BLDC	SIC-52FV-F726-1	1	SC
12	DB67-00397A	FAN PROPELLER	AS+GF 20%	1	SA
13	DB60-30004A	SCREW-MACHINE	M6,ZPC(WHT)	1	SNA
14	DB93-04421A	ASSY CONTROL OUT	ASSY	1	SA
14-1	DB61-02249A	CASE CONTROL-COVER	ABS	1	SA
14-2	DB93-04347C	ASSY PCB MAIN-INV	ASSY	1	SA
14-3	DB62-03155A	HEAT SINK	AL	1	SA
14-4	DB93-04906A	ASSY PCB SUB-EMI	ASSY	1	SNA
14-5	DB93-04330B	ASSY PCB MAIN	ASSY	1	SA
14-6	DB62-02250A	CASE CONTROL-BASE	ABS	1	SNA
14-7	DB70-00728A	PLATE-CONTROL OUT UPPER	SGCC-M	1	SNA
14-8	DB70-00727A	PLATE-CONTROL OUT MAIN	SGCC-M	1	SNA
14-9	DB65-00181D	TERMINAL BLOCK	BLK	1	SC
14-10	DB65-00181F	TERMINAL BLOCK	BLK	1	SC
14-11	DB95-01180A	ASSY-TERMINAL BLOCK	ASSY	1	SC
14-12	DB93-04422A	ASSY PCB DISPLAY	ASSY	1	SA
14-13	DB61-01097A	HOLDER-WIRE CLAMP	ABS	2	SA
15	DB95-01172A	ASSY COMP PART	ASSY	1	SNA
15-1	DB63-00763A	GROMMET ISOLATOR	NR35	3	SA
15-2	DB60-30028A	SCREW-HEX	ZPC(WHT)	3	SA
15-3	6021-001142	NUT-HEXAGON FLANGE	M5,ZPC(YEL)	1	SA
15-4	DB63-00762A	COVER TERMINAL	GE-NORYL	1	SA
15-5	6021-001142	GASKET	EPDM	1	SA
15-6	G4A110LUAER	COMPRESSOR	BLDC	1	-
16	DB96-06888A	ASSY COND	ASSY	1	SNA
17	DB96-06894A	ASSY-4 WAY VALVE	ASSY	1	SNA
18	DB96-06893A	ASSY-VALVE	ASSY	1	SNA

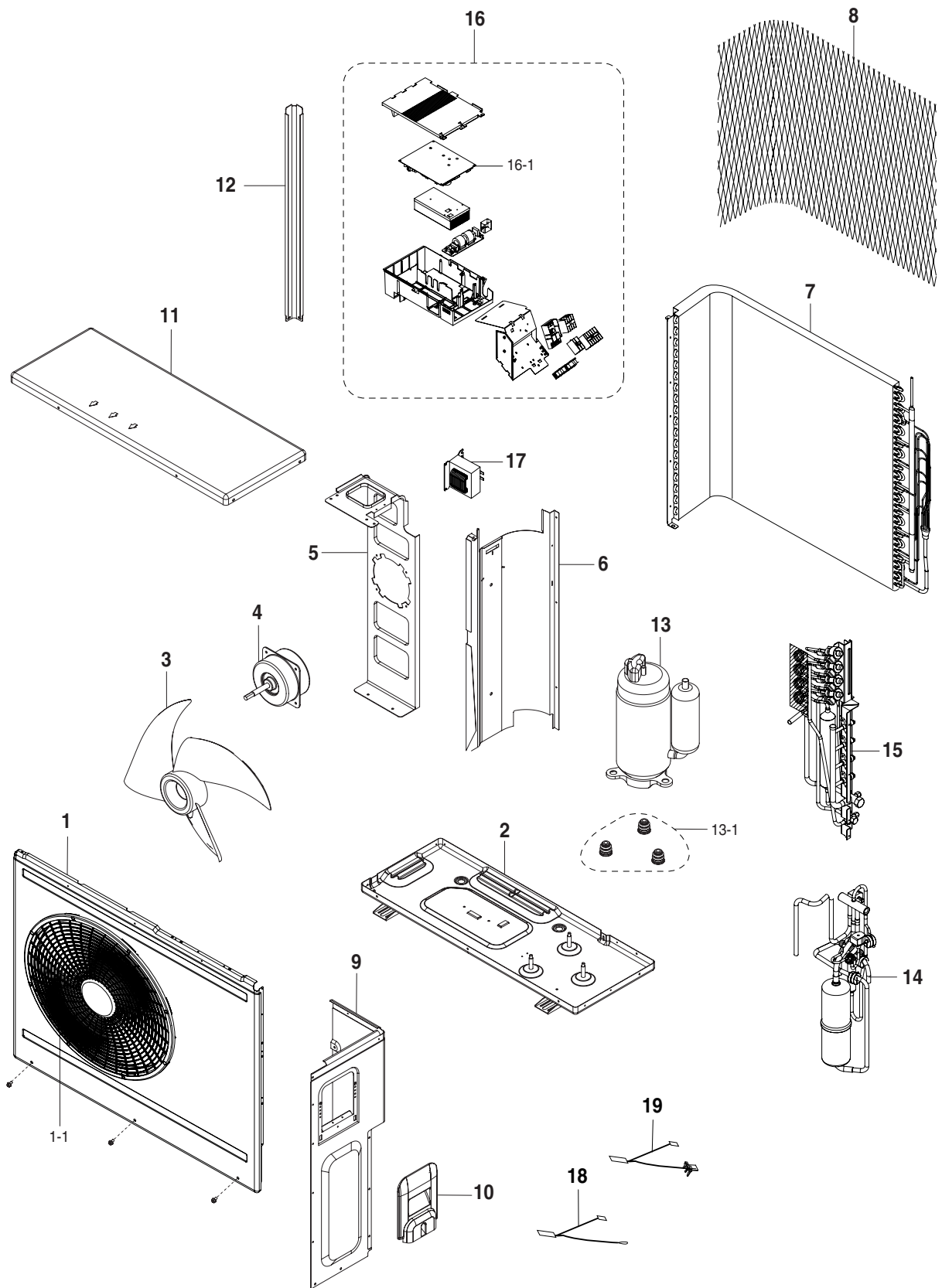
5-2-4 MH052FXEA2A/MH060FXEA3A/MH18VV1X/MH19VV1X



■ Parts List

No.	Code No.	Description	Specification	Q'TY		SA/SNA
				MH052FXEA2A MH18VV1X MH19VV1X	MH060FXEA3A	
1	DB90-01146E	ASS'Y CABINET FRONT	ASS'Y	1	-	SA
1-1	DB63-00838A	GUARD FAN	PP,SC-90073R	1	-	SA
2	DB90-03278A	ASS'Y BASE OUT	ASS'Y	1	-	SNA
3	DB67-00142A	FAN PROPELLER	PP	1	-	SA
4	DB31-00264D	MOTOR FAN	SGCC-M	1	-	SA
5	DB90-00686A	BRACKET MOTOR	ASS'Y	1	-	SA
6	DB94-01326A	ASS'Y PARTITION	ASS'Y	1	-	SNA
7	DB96-06860H	ASS'Y CONDENSER	ASS'Y	1	--	SA
8	DB61-00821B	GUIDE SCREEN	P.E.H 100%	1	-	SC
9	DB90-03096A	ASS'Y CABINET SIDE	ASS'Y	1	-	SA
10	DB90-40176B	ASS'Y COVER CONTROL	ASS'Y	1	-	SA
11	DB90-03275A	ASS'Y CABINET UP	ASS'Y	1	-	SA
12	DB63-00692A	GUARD CONDENSER	SECC-P	1	-	SA
13	G4B135LU1EH	ROTARY COMPRESSOR	BLDC PERMANENT MAGNETIC MOTOR	1	-	SA
	G8T200FUAEW	ROTARY COMPRESSOR	BLDC PERMANENT MAGNETIC MOTOR	-	1	SA
13-1	DB73-00763A	GROMMET-ISOLATOR	NR	3	3	SNA
14	DB99-06846A	ASS'Y VALVE 4-WAY	ASS'Y	1	-	SA
	DB96-06843A	ASS'Y VALVE 4-WAY	ASS'Y	-	1	SA
15	DB99-06845A	ASS'Y VALVE	ASS'Y	1	-	SA
	DB96-06842A	ASS'Y VALVE	ASS'Y	-	1	SA
16	DB93-04420D	ASS'Y CONTROL OUT	ASS'Y	1	-	SA
	DB93-04420C	ASS'Y CONTROL OUT	ASS'Y	-	1	SA
16-1	DB93-04260H	ASS'Y PCB MAIN	ASS'Y	1	-	SA
	DB93-04266G	ASS'Y PCB MAIN	ASS'Y	-	1	SA
17	DB81-00042A	REACTOR	5MH±5%,40.0±5V	1	-	SA
18	DB32-00175B	THERMISTOR CONDENSER	103AT,204CTB	1	-	SA
19	DB32-00176A	THERMISTOR	103AT,204CTB	1	-	SA

5-2-5 MH070FXEA4A/MH080FXEA4A



■ Parts List

No.	Code No.	Description	Specification	Q'TY		SA/SNA
				MH070FXEA4A	MH080FXEA4A	
1	DB90-03287A	ASS'Y CABINET FRONT PAINT	ASS'Y	1	1	SA
1-1	DB63-00831A	GUARD FAN	PP,SC-90073R	1	1	SA
2	DB90-03278C	ASS'Y BASE OUT	ASS'Y	1	1	SNA
3	DB67-00438B	FAN PROPELLER	PP(LUPOL LW4302)	1	1	SA
4	DB31-00429A	MOTOR FAN	SGCC-M	1	1	SA
5	DB61-20094C	BASE MOTOR	ASS'Y	1	1	SNA
6	DB94-01352A	ASS'Y PARTITION	ASS'Y	1	1	SNA
7	DB96-06874A	ASS'Y COND	ASS'Y	1	1	SNA
8	DB60-70002A	PIN SCREEN	P.E.H 100%	1	1	SA
9	DB90-03134A	ASS'Y CABINET SIDE	ASS'Y	1	1	SA
10	DB90-03292A	ASS'Y COVER CONTROL	ASS'Y	1	1	SA
11	DB90-03275A	ASS'Y CABINET-UP	ASS'Y	1	1	SA
12	DB63-00758A	GUARD COND	SECC-P	1	1	SA
13	G8T260FUAIEW	ROTARY COMPRESSOR	BLDC INVERTER	1	1	SA
13-1	DB73-00815A	GROMMET-ISOLATOR	NR	3	3	SNA
14	DB96-06883A	ASS'Y 4-WAY VALVE	ASS'Y	1	1	SA
15	DB96-06882A	ASS'Y VALVE	ASS'Y	1	1	SA
15-1	DB96-06878A	ASS'Y TUBE EEV A	ASS'Y	1	1	SA
15-2	DB96-06879A	ASS'Y TUBE EEV B	ASS'Y	1	1	SA
15-3	DB96-06880A	ASS'Y TUBE EEV C	ASS'Y	1	1	SA
15-4	DB96-06881A	ASS'Y TUBE EEV D	ASS'Y	1	1	SA
16	DB93-04420A	ASS'Y CONTROL OUT	ASS'Y	-	1	SA
	DB93-04420B	ASS'Y CONTROL OUT	ASS'Y	1	-	SA
16-1	DB93-04266E	ASS'Y PCB MAIN	ASS'Y	1	1	SA
	DB93-04266F	ASS'Y PCB MAIN	ASS'Y	1	-	SA
17	DB27-00043A	REACTOR	5mH±20%,34.0±5%	1	1	SA
18	DB32-00175B	THERMISTOR COND	103AT,204CTB	1	1	SA
19	DB32-00176C	THERMISTOR WIRE OUT/DISCHARGE	103AT,204CTB	1	1	SA