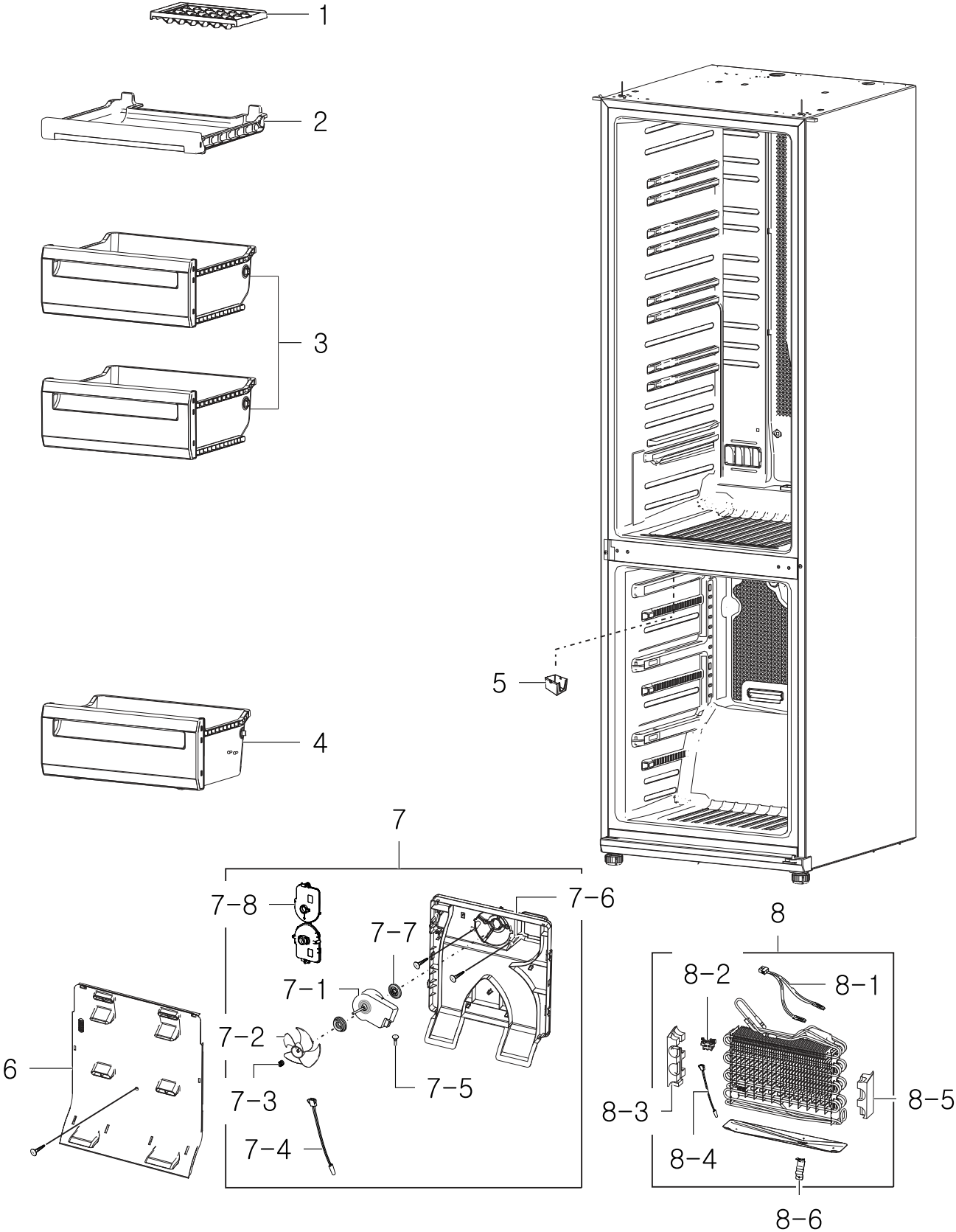


1. Freezer

Exploded View

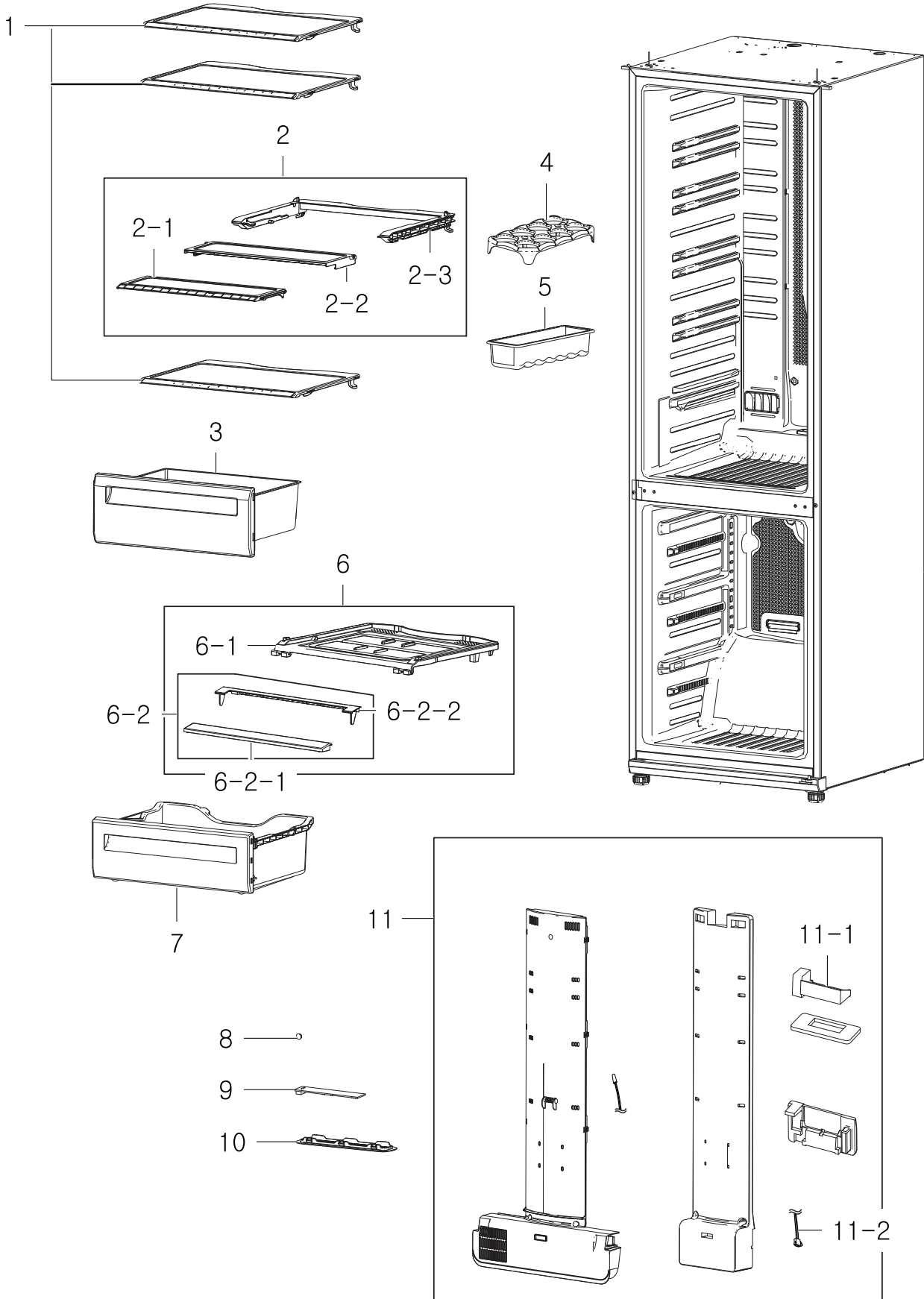


Parts List

| No. | Lvl. | Loc. | Material Code | Description & Specification | SNA | Qty. |
|-----|------|-------|---------------|--|-----|------|
| 1 | 2 | RM088 | DA63-04476A | TRAY ICE; NW2-PJT,PP,-,-,-,-,COOL WHT,- | SA | 1 |
| 2 | 2 | RI242 | DA97-04099B | ASSY TRAY-FRE UPP; CORE-PJT,-,-,-,SC-0274 | SA | 1 |
| 3 | 2 | RG158 | DA97-07808A | ASSY TRAY-FRE MID; SVETA-PJT,3 PIECE | SA | 2 |
| 4 | 2 | RI057 | DA97-07809A | ASSY TRAY-FRE LOW; SVETA-PJT,3 PIECE | SA | 1 |
| 5 | 2 | RI222 | DA63-02902B | COVER-FIXER HOUSING V; NEXT-PJT,GALVA,T0. | SA | 1 |
| 6 | 2 | RF006 | DA97-04020C | ASSY COVER-EVAP FRONT; CORE-PJT,SAEL NTR | SA | 1 |
| 7 | 2 | RF524 | DA97-04244L | ASSY COVER-EVAP REAR(AC); CORE,220V~240V | SA | 1 |
| 7-1 | 3 | RH808 | DA31-00103H | MOTOR FAN-AC; IS-27210SNC5B,CORE,66 15% | SA | 1 |
| 7-2 | 3 | RG065 | DA31-00148A | FAN-AX112W5CCI; -,LMF,ABS,-,HF0660I | SA | 1 |
| 7-3 | 3 | RR053 | DA61-20128A | SPRING ETC-FAN; STS304,PI8.8,ID7.8,OD9.8, | SA | 1 |
| 7-4 | 3 | RF464 | DA32-00006G | SENSOR TEMP-F DEF BBC; PX-41C,BBC,-,5V,-, | SA | 1 |
| 7-5 | 3 | RR066 | DA63-40167A | GROMMET-COVER CHIL; SILICON,L16,WHITE | SA | 1 |
| 7-6 | 3 | RF319 | DA63-03076B | COVER EVAP-REAR; CORE-PJT,PPSCRAP,-,W421. | SA | 1 |
| 7-7 | 3 | RY355 | DA63-00771A | GROMMET-FAN MOTOR; OMEGA,NBR,-,-,-,-,BL | SA | 1 |
| 7-8 | 3 | RK171 | DA63-01283C | COVER-MOTOR; AD,PP,NTR,AC,BJ730 | SA | 1 |
| 8 | 2 | RF011 | DA96-00280K | ASSY EVAP-FRE; SVETA,PIN,220~240V | SA | 1 |
| 8-1 | 3 | RR244 | DA47-10148X | THERMO FUSE-ASSY; SVETA,*,250,10A,77-4,AS | SA | 1 |
| 8-2 | 3 | RG124 | DA61-02901A | FIXER-SENSOR EVAP; CORE-PJT,PP,-,NTR,- | SA | 1 |
| 8-3 | 3 | RF492 | DA60-00153A | SPACER-EVAP L; CORE-PJT,FOAM PS,-,-,-,-,- | SNA | 1 |
| 8-4 | 3 | RG108 | DA32-00006S | SENSOR TEMP-R-DEF; PX-41C, 502AT,AW-PJT,- | SA | 1 |
| 8-5 | 3 | RF124 | DA60-00154A | SPACER-EVAP R; CORE-PJT,FOAM PS,-,-,-,-,- | SNA | 1 |
| 8-6 | 3 | RK962 | DA71-00152A | BRACKET-DRAIN; SR-32,35,A1050H16,T0.6,-,- | SA | 1 |

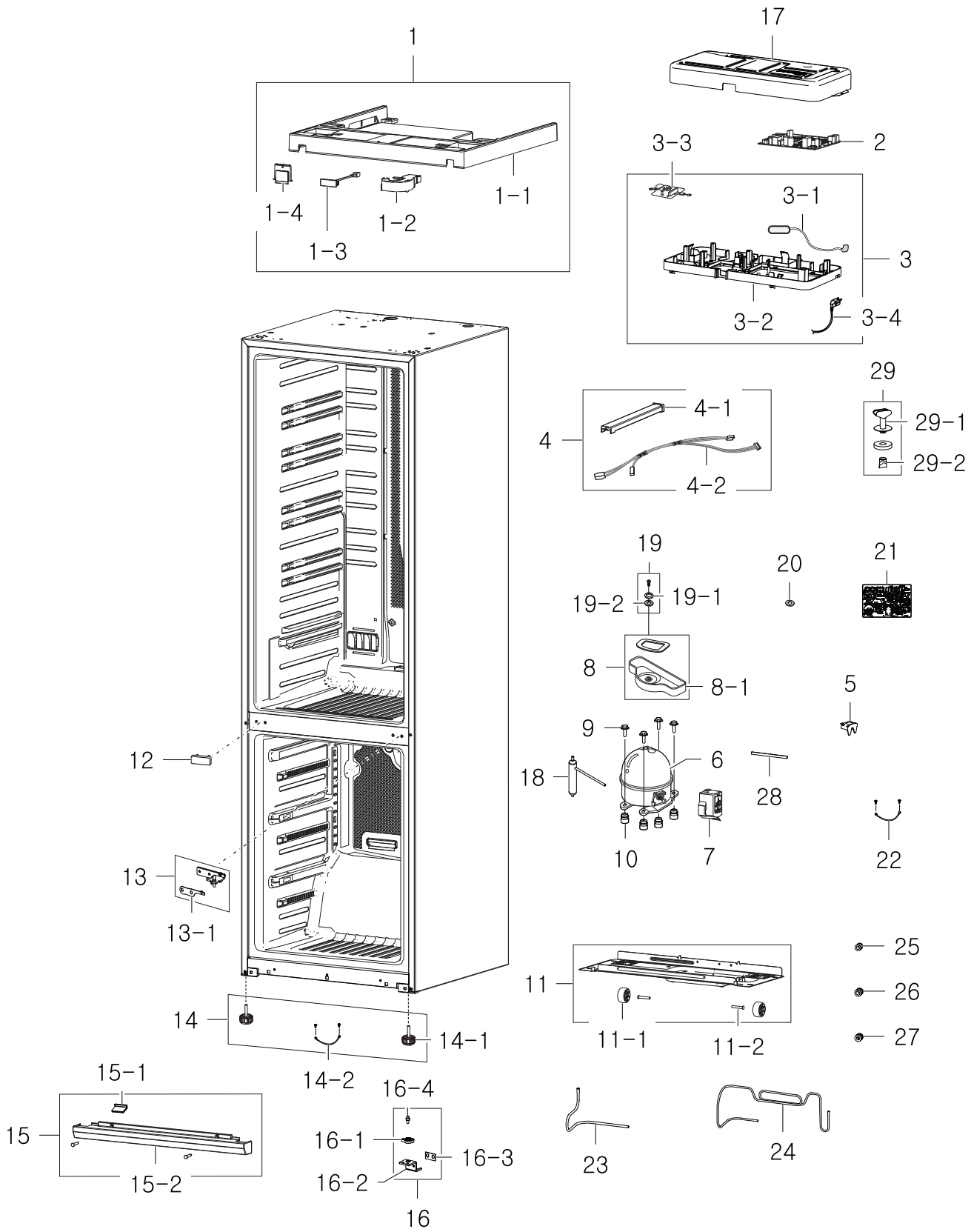
2. Fridge

Exploded View



3. Cabinet

Exploded View



Parts List

| No. | Lvl. | Loc. | Material Code | Description & Specification | SNA | Qty. |
|------|------|-------|----------------|---|-----|------|
| 1 | 2 | RO268 | DA97-07770J | ASSY CAP-CABI; SVETA-PJT,HIPS,SNOW WHITE, | SA | 1 |
| 1-1 | 3 | RO269 | DA67-02369A | CAP-CABI; SVETA-PJT,ABS,SNOW WHITE(SC-975 | SA | 1 |
| 1-2 | 3 | RO454 | DA63-03029D | COVER-WIRE HINGE L; CORE-PJT,PP,-,-,-,-,- | SA | 1 |
| 1-3 | 3 | RK819 | DA34-00043A | SWITCH REED-ASS'Y; 200VDC,1.5,- | SA | 1 |
| 1-4 | 3 | RR231 | DA67-01433K | CAP-HOLE HINGE UPP; CORE-PJT,HIPS,-,W37.1 | SA | 1 |
| 2 | 1 | RY475 | DA92-00239C | ASSY PCB MAIN; 12V,5V,E-PANEL,SVETA-PJT,E | SA | 1 |
| 3 | 2 | RO270 | DA97-11941A | ASSY CASE-PBA MAIN; SVETA,ASSY | SA | 1 |
| 3-1 | 3 | RK691 | DA32-00011Z | SENSOR TEMP; PX-41C,SVETA-PJT,-40~110 | SA | 1 |
| 3-2 | 3 | RO285 | DA61-07747A | CASE PCB-PANEL; HIPS,NTR,VE-1877 | SA | 1 |
| 3-3 | 3 | RH083 | DA27-00032A | COIL FILTER-EMI; 400L,8.0mH,60*82mm,BOX,S | SA | 1 |
| 3-4 | 3 | RK076 | DA39-10115D | CBF-POWER CORD; UCP-2,250V,10/16A,L2100,- | SA | 1 |
| 4 | 2 | RO190 | DA97-11904F | ASSY COVER-WIRE CABI; SVETA,E OPTION,ASSY | SNA | 1 |
| 4-1 | 3 | RR229 | DA63-03074B | COVER-WIRE CABI; CORE/SVETA,PP SCRAP,NTR | SA | 1 |
| 4-2 | 3 | RO200 | DA96-00580J | ASSY W/HARNESS-CABI; SVETA INV COMP J,W,E | SA | 1 |
| 5 | 2 | RO354 | DA34-00004B | RELAY PROTECTOR O/L; BK190GL2C,S/T_11.4A, | SA | 1 |
| 6 | 2 | | MSV4A1AL1J/E01 | COMPRESSOR,BLDC IPM,11.1CC,115/220V,STAI; COMPRESSOR,BLDC IPM,11.1CC,115/220V,STAI | SA | 1 |
| 7 | 2 | | DA63-06122A | COVER-RELAY; MSV,N300X,T2.1,BLACK | SA | 1 |
| 8 | 2 | RH003 | DA97-11949A | ASSY TRAY-DRAIN WATER; SVETA PJT,BLACK | SA | 1 |
| 8-1 | 3 | RO361 | DA63-05124A | TRAY-DRAIN WATER; SVETA-PJT,CR-SPCC,BLACK | SA | 1 |
| 9 | 2 | RR965 | DA60-20008A | BOLT-HEX; SWCH45K,WHITE,ZPC | SA | 4 |
| 10 | 2 | RH732 | DA63-02617A | GROMMET COMP; USP05,EPDM,OD27.0,BLACK | SA | 4 |
| 11 | 2 | RO002 | DA97-03896A | ASSY CHASSIS-COMP; CORE-PJT,SBHG1,T1.0,-, | SA | 1 |
| 11-1 | 3 | RR242 | DA61-40126B | CASTER-REAR; REF-ALL,PP,NATURAL | SC | 2 |
| 11-2 | 3 | RH064 | DA60-90146A | PIN-CASTER; SR-289-429,MSWR10,OD6.0,L38,Z | SA | 2 |
| 12 | 2 | RO083 | DA67-00195A | CAP-HINGE HOLE-MID; SR-32,35,ABS,WHT | SA | 1 |
| 13 | 2 | RO039 | DA97-03900C | ASSY HINGE-MID; SVETA-PJT,T4.0,Ni-Cr Plat | SA | 1 |

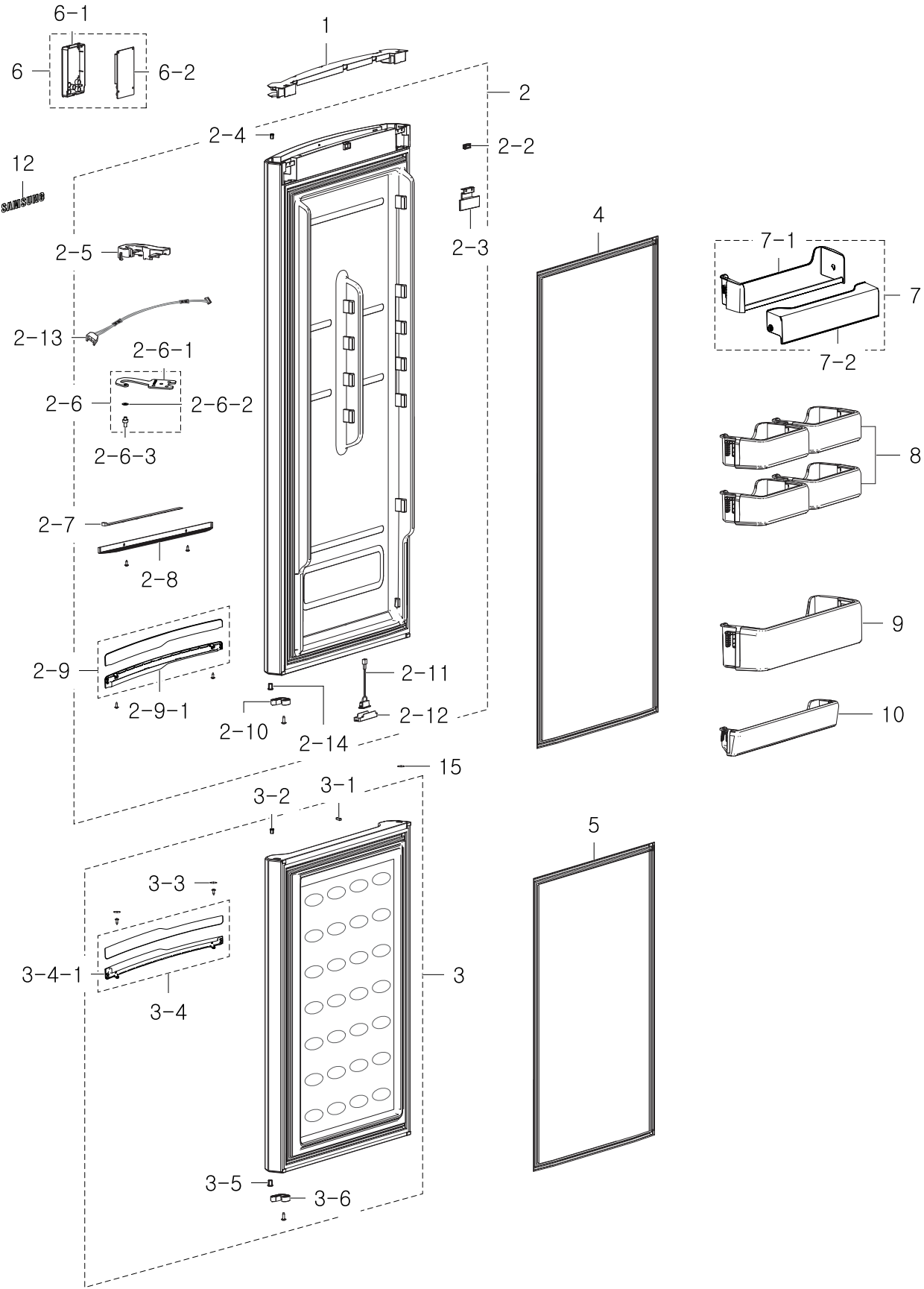
| No. | Lvl. | Loc. | Material Code | Description & Specification | SNA | Qty. |
|------|------|-------|---------------|--|-----|------|
| 13-1 | 3 | RK764 | DA63-03028A | SHIM HINGE-MID; CORE,HIPS,T1.0,NTR | SA | 1 |
| 14 | 2 | RU423 | DA97-03946F | ASSY CABINET-BOTTOM; CORE-PJT,PP SCRAP,W5 | SNA | 1 |
| 14-1 | 3 | RO100 | DA61-00805F | FOOT-FRONT; REF-ALL,PP+MSWR10,BLACK,PP_S | SA | 2 |
| 14-2 | 3 | RK925 | DA39-00429A | WIRE HARNESS-EARTH; YellowGreen,ST710489- | SC | 1 |
| 15 | 2 | RO003 | DA97-07755A | ASSY COVER LEG FRONT; SVETA-PJT,PP,T1.8,5 | SA | 1 |
| 15-1 | 3 | RO085 | DA67-01434D | CAP-HOLE HINGE LOW; CORE-PJT,PP,-,-,SC- | SA | 1 |
| 15-2 | 3 | RO287 | DA63-05089A | COVER-LEG FRONT; SVETA-PJT,PP,SNOW WHITE | SA | 1 |
| 16 | 2 | RO036 | DA97-03947C | ASSY HINGE-LOW; CORE-PJT,T4.0,-,-,PAINTIN | SA | 1 |
| 16-1 | 3 | RE470 | DA61-02756B | GUIDE-AUTO CLOSE; CORE-PJT,PA66(Zytel 318 | SA | 1 |
| 16-2 | 3 | RO598 | DA61-02753A | HINGE-LOW; CORE,SHP1,T4.0,-,-,BLACK | SA | 1 |
| 16-3 | 3 | RX034 | DA63-03202A | SHIM HINGE-LOW; CORE-PJT,HIPS,T1.5,-,-, | SA | 1 |
| 16-4 | 3 | RO790 | DA66-00385A | SHAFT-HINGE; CORE,SWCH10A,-,OD6,-,-,ZPC3(| SA | 1 |
| 17 | 2 | RO286 | DA63-06646A | COVER PCB-PANEL; SVETA,GI-SGCC,T0.5,W481. | SA | 1 |
| 18 | 2 | RC050 | DA62-02614Q | DRYER-SINGLE; C1220T,OD18.7,L106,SINGLE M | SC | 1 |
| 19 | 2 | RS707 | DA60-00018A | SCREW MACHINE; TH,+,PASS,STS304 | SA | 1 |
| 19-1 | 3 | RF494 | DA60-40104J | WASHER; T3-PJT,STS304,WHITE,T0.8 | SNA | 1 |
| 19-2 | 3 | | DA60-00015A | FASTENER-WASHER; T3-PJT,NBR,PI 3.7 | SNA | 1 |
| 20 | 2 | RR241 | DA66-00073B | SHAFT-WASHER; RD-PVC,SR-32,35,-,-,T1.0, | SA | 1 |
| 21 | 1 | RO326 | DA92-00157A | ASSY PCB SUB INVERTER; 12V,5V,-,Grand Cru | SC | 1 |
| 22 | 2 | RK934 | DA39-20389L | WIRE HARNESS-EARTH; 1,YELLOW/GREEN,ST 710 | SC | 1 |
| 23 | 2 | RH085 | DA62-01226B | PIPE-CONNECT SUCTION; CORE-PJT,C1220T-0,- | SA | 1 |
| 24 | 2 | RR326 | DA62-03401A | PIPE-CONNECT IMMERSION; SVETA,SWST,OD4.76 | SA | 1 |
| 25 | 2 | | DA60-00279A | FITTING-LOKRING 16; GRAND/SAM/HERMES,11SM | SA | 2 |
| 26 | 2 | | DA60-00280A | FITTING-LOKRING 33; GRAND/SAM/HERMES,11SM | SA | 1 |
| 27 | 2 | | DA60-00281A | FITTING-LOKRING 43; GRAND/SAM/HERMES,11SM | SA | 1 |
| 28 | 2 | RH026 | DA73-10190U | PIPE-CONNECT DISC,B; TD-PJT,C1220-T,OD6.3 | SA | 1 |
| 29 | 3 | | DA62-00017A | TUBE-DRAIN FRE-ASSY; PP,-,-,-,SR-32,35, | SNA | 1 |

Exploded Views and Parts List

| No. | Lvl. | Loc. | Material Code | Description & Specification | SNA | Qty. |
|------|------|-------|---------------|--|-----|------|
| 29-1 | 4 | | DA62-00009A | TUBE-DRAIN FRE; PP,-,-,-,SR-32,35,- | SNA | 1 |
| 29-2 | 4 | RO162 | DA63-00246B | GROMMET-DRAIN HOSE; CORE-PJT,NBR,-,-,-,-, | SA | 1 |

4. Door

Exploded View



Parts List

| No. | Lvl. | Loc. | Material Code | Description & Specification | SNA | Qty. |
|-------|------|-------|---------------|---|-----|------|
| 1 | 2 | RO186 | DA63-05138A | COVER-WIRE DOOR; SVETA-PJT,HIPS,SNOW WHIT | SA | 1 |
| 2 | 2 | RE001 | DA91-03742B | ASSY DOOR FOAM-REF; SVETA, RL55,TITANIUM- | SA | 1 |
| 2-2 | 5 | RY482 | DA61-02738A | MAGNET-ASS'Y; CORE-PJT,Strontium ferrite, | SA | 1 |
| 2-3 | 5 | RE121 | DA67-01437D | CAP-SPACE DOOR; CORE-PJT,HIPS,-,-,-,SC-97 | SA | 1 |
| 2-4 | 5 | RO116 | DA63-03046A | GROMMET-HINGE; CORE PJT,NY-66,L14,ID6,OD1 | SA | 1 |
| 2-5 | 5 | RO456 | DA63-03030D | COVER-WIRE HINGE R; CORE-PJT,PP,-,-,-,-,- | SA | 1 |
| 2-6 | 5 | RO040 | DA97-03899A | ASSY HINGE-UPP; CORE,T4.5,-,-,PAINTING(BL | SA | 1 |
| 2-6-1 | 6 | RR232 | DA61-02751A | HINGE-UPP; CORE,SHP1,T4.5,-,-,PAINTING(BL | SA | 1 |
| 2-6-2 | 6 | RR377 | DA66-00073C | SHAFT-WASHER, C; RD-PVC,SR-32,35,-,-,-,T1 | SA | 1 |
| 2-6-3 | 6 | RO790 | DA66-00385A | SHAFT-HINGE; CORE,SWCH10A,-,OD6,-,-,ZPC3(| SA | 1 |
| 2-7 | 5 | RK397 | DA41-00676A | PBA-LED LAMP; SVETA-PJT,FR-4,300*10*1.6t, | SA | 1 |
| 2-8 | 5 | RE234 | DA63-05105A | COVER-LAMP HANDLE; SVETA-PJT,PP,NTR,BASIC | SA | 1 |
| 2-9 | 4 | RE233 | DA97-07776W | ASSY COVER-HANDLE REF; SVETA-PJT,AL5052,S | SA | 1 |
| 2-9-1 | 5 | RO054 | DA63-05104H | COVER-HANDLE REF; SVETA-PJT,ABS,523.6,54. | SA | 1 |
| 2-10 | 5 | RE440 | DA61-02773B | STOPPER-DOOR; CORE-PJT,POM(DE8903),-,-,-, | SA | 1 |
| 2-11 | 5 | RK819 | DA34-00043A | SWITCH REED-ASS'Y; 200VDC,1.5,- | SA | 1 |
| 2-12 | 5 | RE235 | DA67-02385A | CAP-REED SWITCH; SVETA-PJT,PP,SNOW-WHITE(| SA | 1 |
| 2-13 | 5 | RE236 | DA96-00610G | ASSY W/HARNESS-DOOR JOINT; SVETA INV J/W/ | SA | 1 |
| 2-14 | 5 | RO116 | DA63-03046A | GROMMET-HINGE; CORE PJT,NY-66,L14,ID6,OD1 | SA | 1 |
| 3 | 2 | RD001 | DA91-02915Q | ASSY DOOR FOAM FRE; SVETA-PJT/RL55,SNOW-W | SA | 1 |
| 3-1 | 5 | RY479 | DA61-03769A | MAGNET-A; HERMES,-,5x7x18,-,-,1200Gauss | SA | 1 |
| 3-2 | 5 | RO116 | DA63-03046A | GROMMET-HINGE; CORE PJT,NY-66,L14,ID6,OD1 | SA | 1 |
| 3-3 | 4 | RD238 | DA67-01782J | CAP-SCREW INLAY; SVETA,ABS,SNOW WHITE(SC- | SA | 2 |
| 3-4 | 4 | RD239 | DA97-07777W | ASSY COVER-HANDLE FRE; SVETA-PJT,AL5052,S | SA | 1 |
| 3-4-1 | 5 | RO053 | DA63-05099H | COVER-HANDLE FRE; SVETA-PJT,ABS,523.6,54. | SA | 1 |

| No. | Lvl. | Loc. | Material Code | Description & Specification | SNA | Qty. |
|-----|------|-------|---------------|--|-----|------|
| 3-5 | 5 | RO116 | DA63-03046A | GROMMET-HINGE; CORE PJT,NY-66,L14,ID6,OD1 | SA | 1 |
| 3-6 | 5 | RE440 | DA61-02773B | STOPPER-DOOR; CORE-PJT,POM(DE8903),-, -, -, | SA | 1 |
| 4 | 2 | RR238 | DA97-07366K | ASSY-GASKET DOOR REF; SVETA-PJT,RL45, SC- | SA | 1 |
| 5 | 2 | RU513 | DA97-07366J | ASSY-GASKET DOOR FRE; SVETA-PJT,SC-97487, | SA | 1 |
| 6 | 2 | RE245 | DA97-07873A | ASSY COVER-DISPLAY LED; SVETA-PJT,LED | SA | 1 |
| 6-1 | 3 | RE250 | DA63-05146A | COVER-DISPLAY LED; SVETA-PJT,ABS,DARK-GLA | SA | 1 |
| 6-2 | 3 | RR572 | DA41-00662A | ASSY PCB KIT LED; SVETA(E OPTION),DOOR RE | SA | 1 |
| 7 | 2 | RE028 | DA97-07787A | ASSY GUARD-DAIRY; SVETA-PJT | SA | 1 |
| 7-1 | 3 | RE390 | DA63-05116A | GUARD-DAIRY; SVETA-PJT,PP,COOL WHITE | SA | 1 |
| 7-2 | 3 | RE386 | DA63-05119A | COVER-GUARD DAIRY; SVETA-PJT,GPPS,TRP | SA | 1 |
| 8 | 2 | RE244 | DA97-07785B | ASSY GUARD-VARIETY; SVETA-PJT,COVER GPPS | SA | 4 |
| 9 | 2 | RE017 | DA97-07784B | ASSY GUARD BOTTLE; SVETA-PJT | SA | 1 |
| 10 | 2 | | DA97-07783B | ASSY GUARD REF-LOW; SVETA-PJT | SA | 1 |
| 12 | 2 | RO716 | DA64-04020B | MASCOT; ALL,NI,T0.05,L80 | SA | 1 |
| 15 | 2 | RO515 | DA67-01612D | CAP-HINGE HOLE; CORE-PJT,PP,-, -, -,SNOW WH | SA | 1 |