

# WINIA

MANUAL DE SERVICIO Y DESPIECE

FRIGORÍFICO  
WRN-BH2545NPT



MAKE IT EASY

**WINIA**

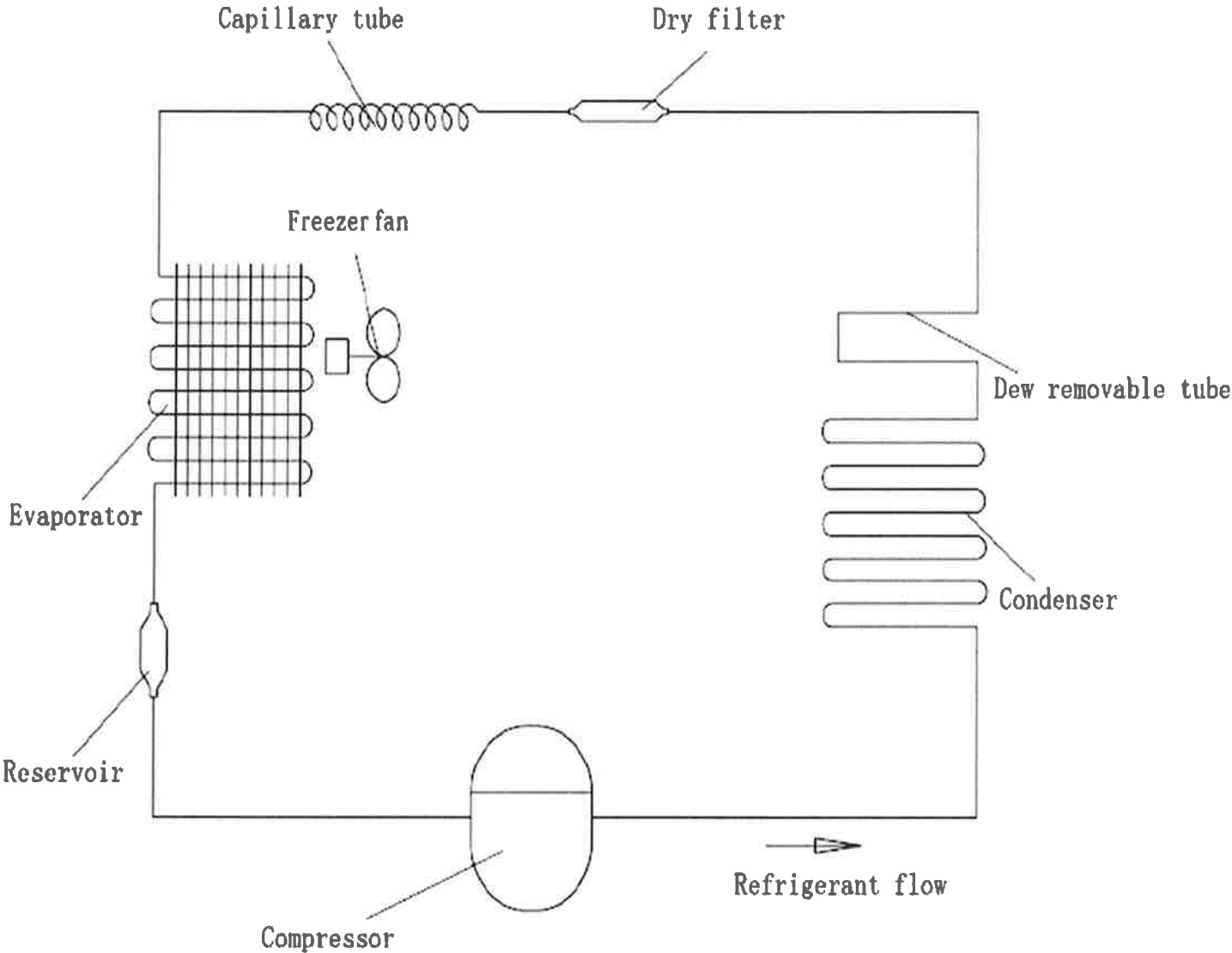
# Service manual

Modelo: WRN-BH2545NPT

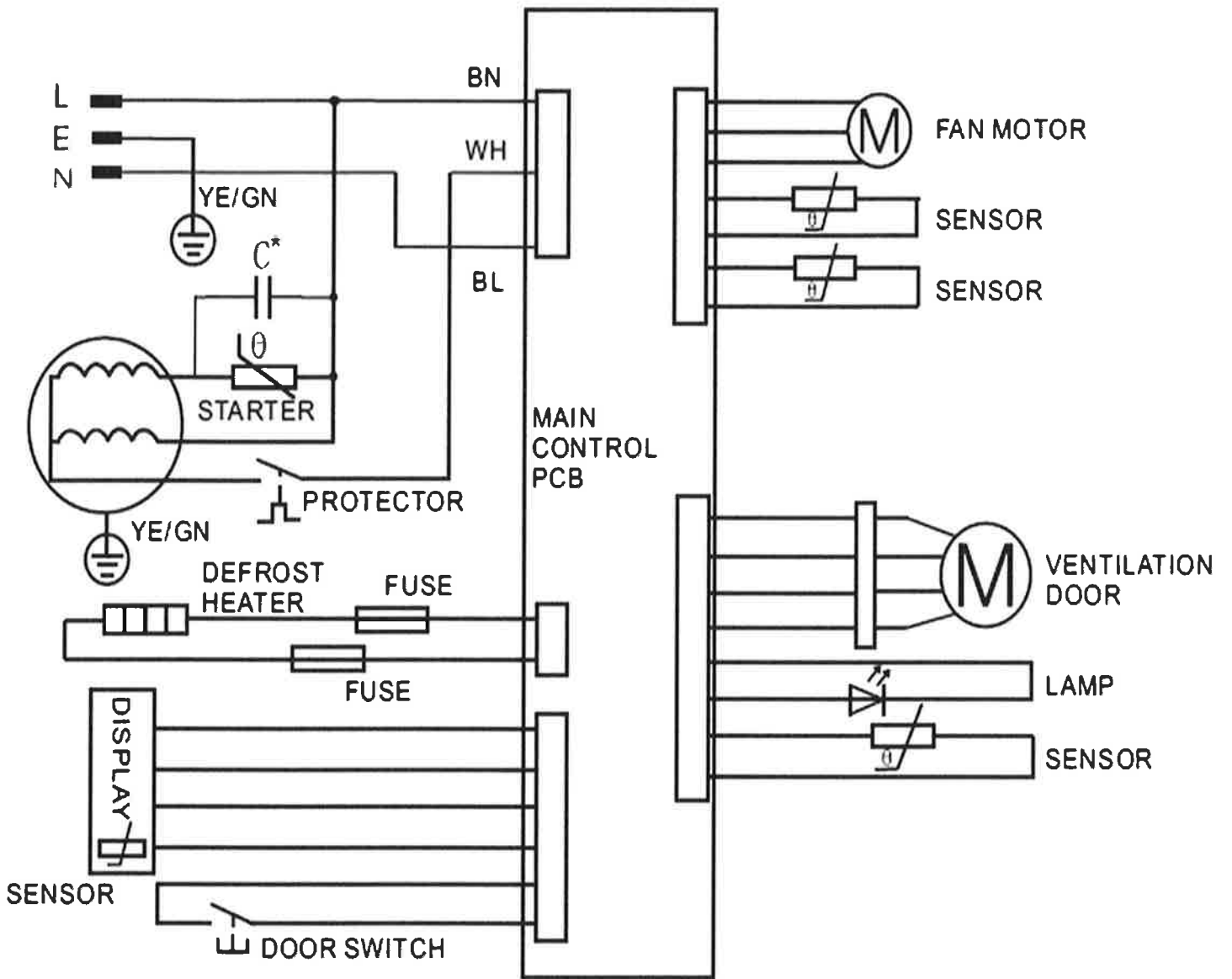
## Contents

- 1 Cover
- 2 The cooling system
- 3 The electrical diagram
- 4 Trouble shooting guide
- 5 Exploded view
- 6 Spare part list

# The cooling system



# The electrical diagram

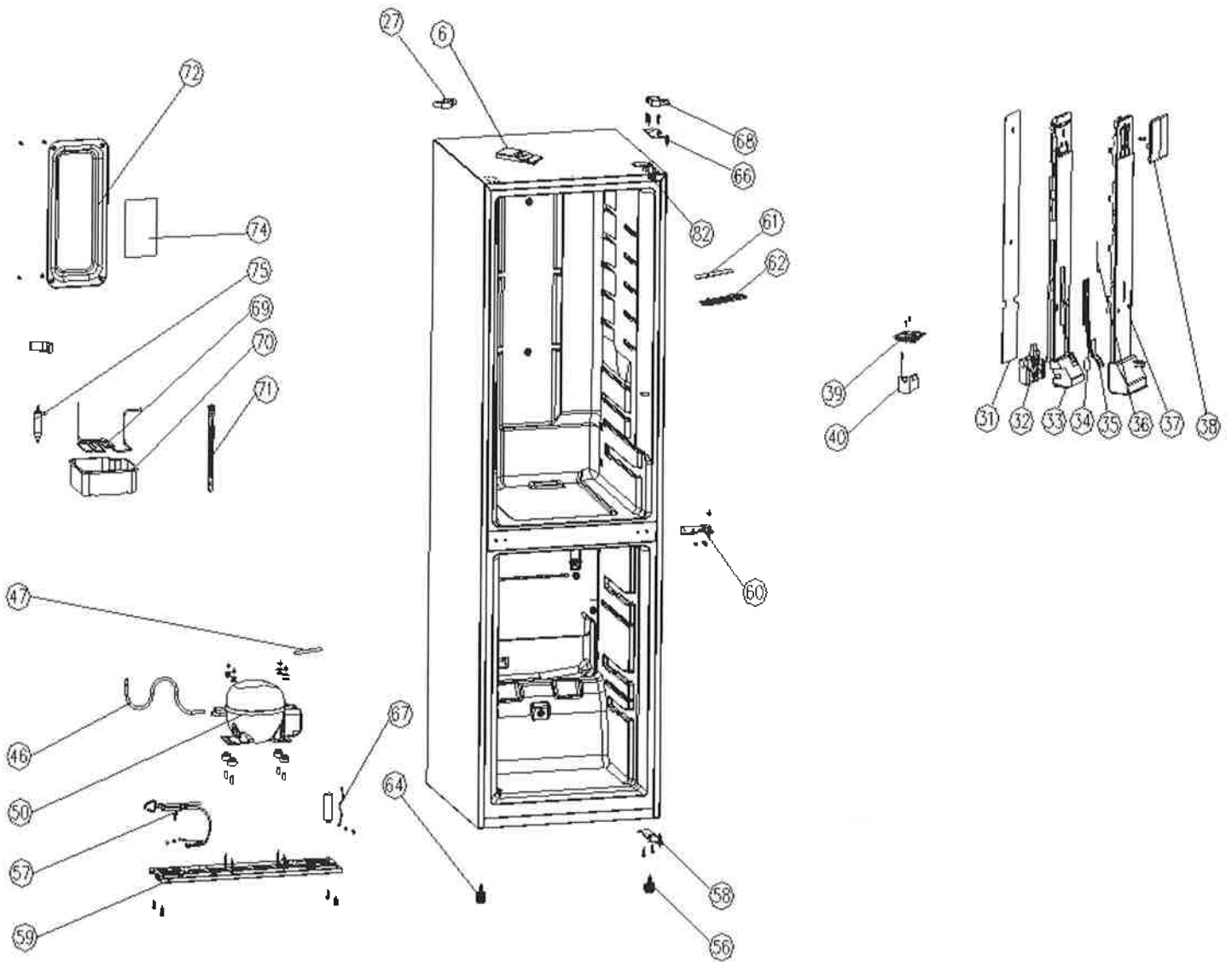


## Trouble shooting guide

No	Problem	Possible Cause	What To Do
1	Fan no work	the the fan motor is failure and replace it with a new one	open the cover board of air duct in freezer room, check the fan if it no running, then measure the voltage between the red wire and black wire of fan, if the voltage is 12V,the the fan motor is failure and replace it with a new one
2	No defrost.Freezer room temperature no enough cold and refrigerator room OK and open the cover board of are duct and find ice formation on evaporator	the drainpipe contain impurity	disconnect power, and let the ice defrost and inspect the water if it is flow through the drainpipe, if could not flow out, check if it contain impurity and clean the drainpipe
		the sensor failure or PCB failure	check the fuse if it is melt or not. If the fuse is melt, it mean that the sensor failure or PCB failure, need change the sensor or PCB.
		the defrost heater is break or PCB failure	inspecting the CN4 defrost heater two connector.If the heater is OK then it must be PCB failure and change the PCB.
3	the temperature of freezer and refrigerator are no enough cold and the temperature no change by adjusting the potentiometer (thermostat)	the potentiometer failure	inspect the potentiometer (thermostat), and measure the resistance value by adjusting the potentiometer (thermostat), if the resistance value no change by adjusting the potentiometer (thermostat).
		the sensor failure	When the sensor failure and the compressor will be running like this—if the potentiometer (thermostat) setting below 3 position, the compressor will be running 20 minutes and then stop 30 minutes, if the potentiometer (thermostat) setting more than 3 position, the compressor will be running 30 minutes and then stop 20 minutes. If find the compressor work like above situation, it mean the sensor failure and need open the back of refrigerator and change sensor of refrigerator evaporator

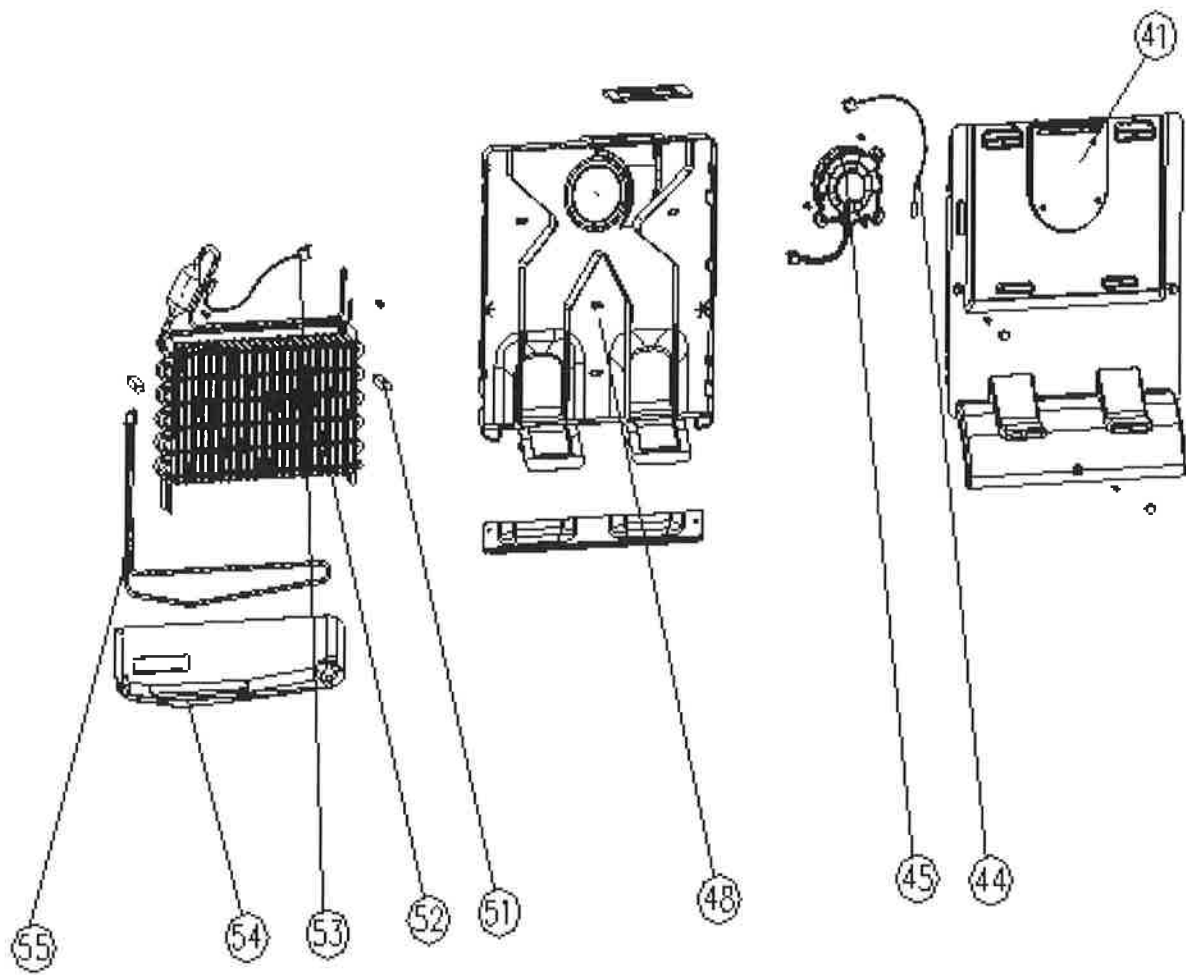
4	Compressor no starting	no problem	the time between two starting is shorter than 12min; or refrigerator room temperature is lower than the setting temperature, in this case, it is no problem. You need waiting more time.
		PCB failure	PCB had automatic self-examination: open the cover of PCB at the back of product, plug in power and push the SW101 switch 3 seconds and the PCB begin automatic self-examination program, then the led and compressor and fan and defrost heater all work two second and then stop, all wore one time and then quit automatic self-examination program, and the program will return the original setting. If the automatic self-examination program no work, it mean the PCB failure and need change it
		Compressor wire not right or compressor damage	measure the voltage of compressor input connector, if it is OK then check the starting and relay of compressor, also check the wire if it is OK
6	product no any work	the PCB failure	check the power by multimeter, if the input voltage is 220V-240, but the led, compressor, fan, defrost heater are all no work, it mean the PCB failure and need change a new PCB

# Despiece









POSICIÓN	CÓDIGO	NOMBRE	DESCRIPCIÓN
1	2100280929	Puerta congelador	Lower door
2	20122990103	Cubitera	Ice tray
3	20122990140	Huevera	Egg tray
4	2208510008	Tope derecho puerta	Right limit block of door
5	2100280930	Puerta frigorífico	Upper Door
6	2208200119	Tapa tornillo bisagra	Door hinge screw hole cover
8	2200200125	Burlete frigorífico	Upper door gasket
10	2207500630	Botellero superior y medio	Door rack,upper
11	2207500631	Botellero inferior grande	Door rack,lower
12	2200200123	Burlete congelador	Lower door gasket
13	2500300065	Placa frontal display	Display control assembly
14	2209100322	Embellecedor placa frontal display	Display panel
15	2208510071	Tope derecho puerta congelador	Lower door right aid-closer
16	2106160871	Cajón congelador inferior	Lower Drawer
17	2208510072	Tope izquierdo puerta congelador	Lower door left aid-closer
19	3071300098	Bandeja separación cajón congelador	Freeze Glass partition,Lower
20	3071300097	Bandeja separación cajón congelador	Freeze Glass partition,Upper
21	2106141201	Cajón verduras	Crisper drawer
22	2106120515	Bandeja cajón verduras	Cover of Crisper Box
23	2106141200	Cajón 0º frigo	Freeze zone
25	2106100435	Bandeja frigorífico	Shelf of refrigerator chamber
26	2106160412	Cajón congelador superior y medio	Upper Drawer
27	2208100825	Tapa bisagra superior izquierda	Upper door hinge Cover,Left
28	2208510007	Tope izquierdo puerta	Left limit block of door
32	2701000297	Tapa ailante conducto frigo	Cover of refrigerator foam
33	2701000358	Aislante conducto aire frigo	Foam of refrigerator wind parts
34	2208100715	Ajuste conducto frigo	Adjust pole of refrigerator wind part
35	2800100096	Sellado ailante conducto frigo	Sealing foam of refrigerator wind part
36	2501100036	Sensor temperatura	Temperature sensor
37	2208500288	Tapa aislante conducto aire frigo	Front cover of ref wind part WKN-BH2545NPT
38	2208100922	Tapa aislante evaporador frigorífico	Decorative block of refrigerator wind parts
39	2208500056	Tapa motor damper	Cover of damper motor
40	2501100020	Motor damper	Damper motor
41	20122990684	Tapa aislante evaporador congelador	Decorative block of Freeze wind parts
44	3059900039	Sensor temperatura	Temperature sensor
45	2501000027	Motor ventilador	DC centrifugal motor assembly
48	20122990683	Soporte ventilador congelador	Freeze wind parts bracket
50	2400100257	Compresor	Compressor
51	2701000085	Aislante conducto congelador	Foam of freeze wind parts
52	3040300072	Evaporador congelador	Fin Evaperator
53	3059900038	Sensor temperatura	Temperature sensor
54	3039900301	Fijador resistencia descongelación	Fixed slot of heater
55	3050700022	Bandeja desagüe	drip tray of calorifie
56	20122990782	Pata ajustable corta	Long adjust leg
57	2500100090	Cable red	Power supply cord plug
58	3031400198	Bisagra inferior	Lower door hinge assembly
60	3031400040	Bisagra intermedia	Middle Door Hinge
61	2500400016	Lámpara led	LED light board
62	2208100964	Tapa luz led	Cover of ceiling light
64	20122990781	Pata ajustable larga	Long leg
66	3031400197	Bisagra superior	Upper door hinge assembly
68	2208100824	Tapa bisagra superior derecha	Upper door hinge Cover
69	2402400013	Tubo condensador evaporación	Evaporative condenser
70	20122990705	Bandeja desagüe	Drain pan
71	2207700024	Tubo desagüe	Drain pipe
72	2305700043	Tapa placa electrónica	Cover of Control board
74	2500300267	Placa electrónica	Control board assembly
76	2207500632	Botellero pequeño	Door rack,small
82	2501100017	Interruptor puerta	Door switch
300	2700501059	Logo marca WINIA	Trademark
	GAS134	Carga de gas	CHARGE OF GAS R 134A
	DMS0519100	Resistencia silicona evaporación	SILICON HEATER 230V / 8W / 34MA