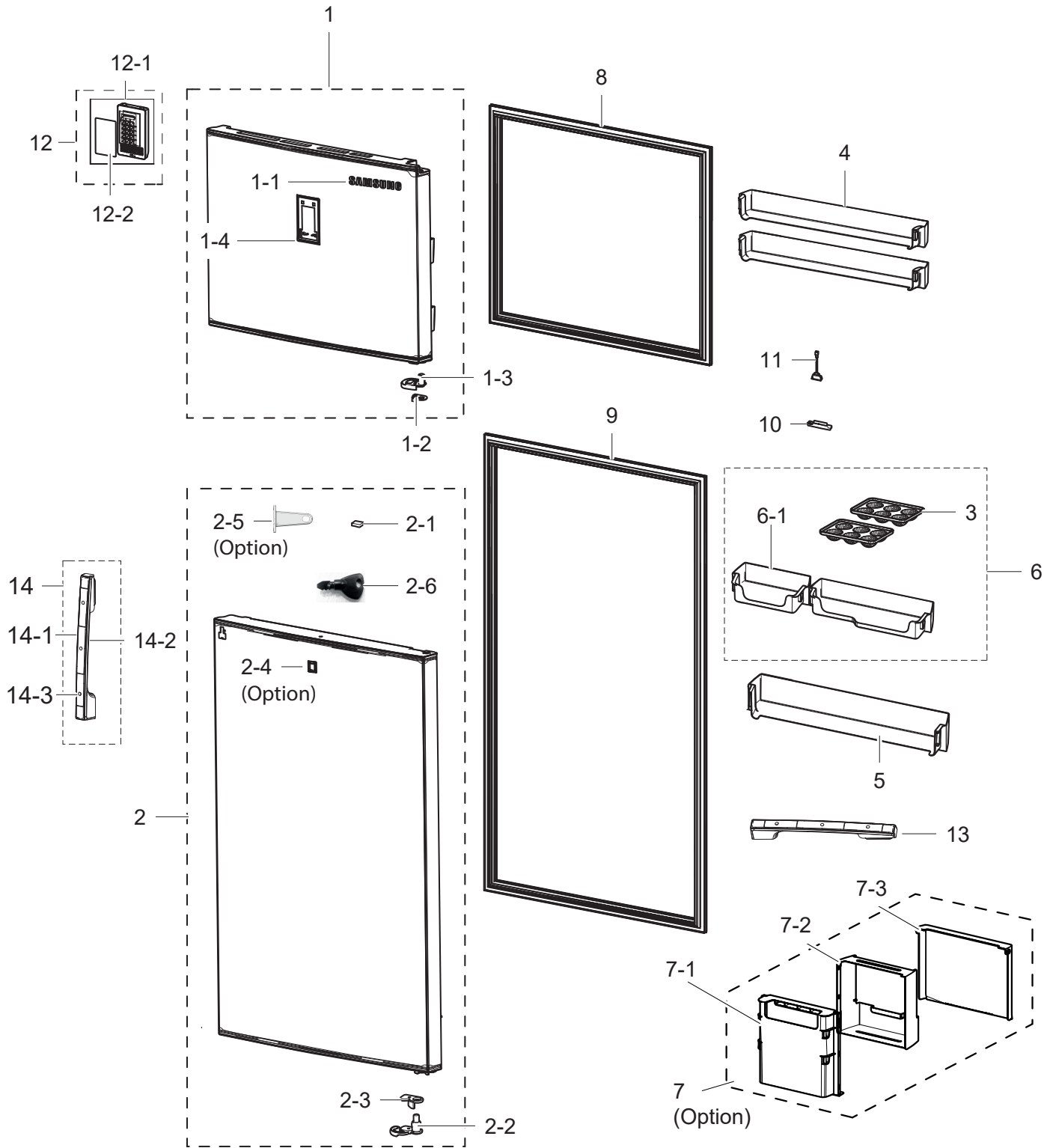


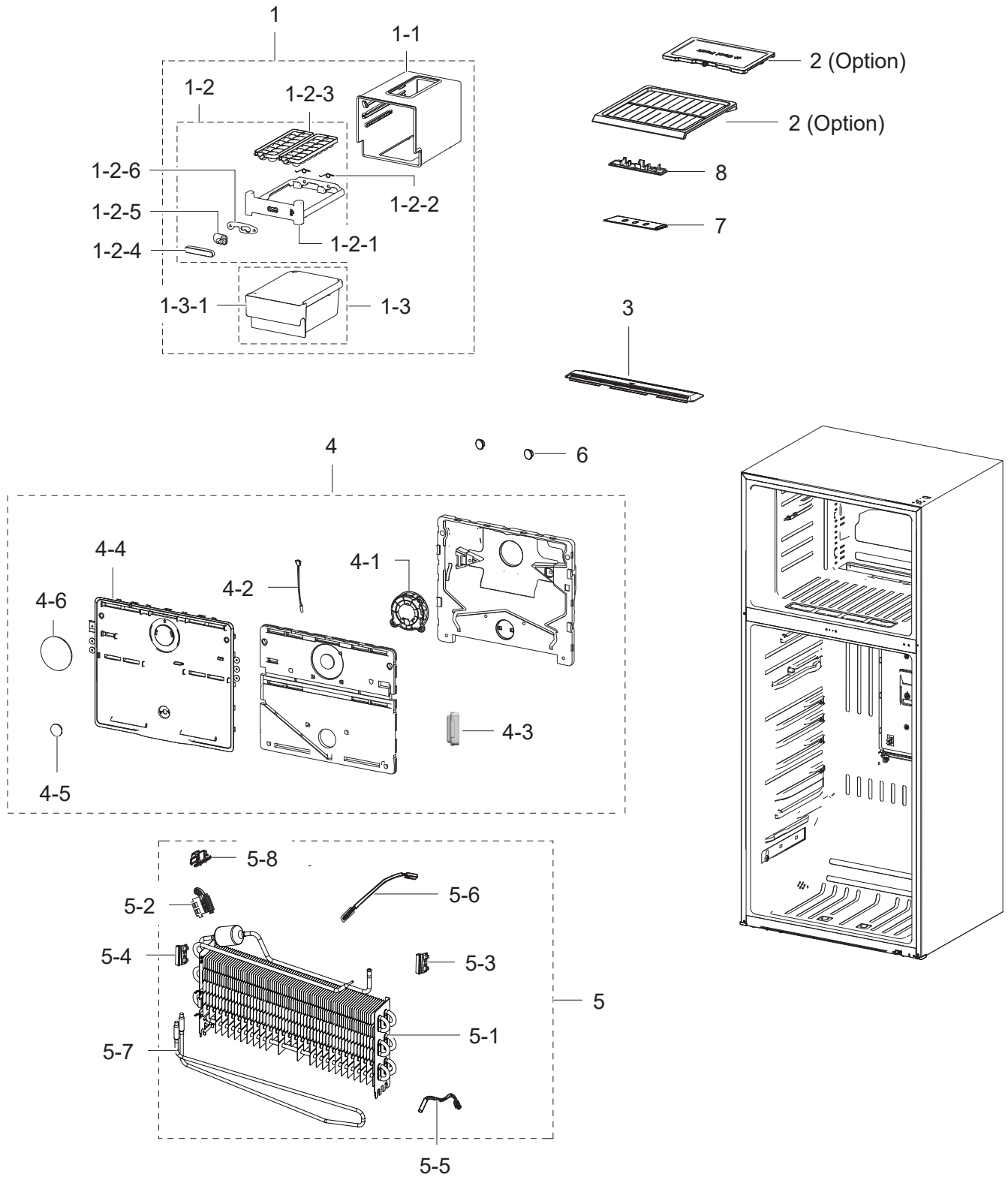
Door compartment



PART LIST OF DOOR : RT46K6335SL/ES

No.	Code No.	Lvl.	Loc.	Description	Specification	Qty	SA/SNA
1	DA91-04610F	2	M0063	ASSY DOOR FOAM-FRE	RT46,SL,BAR,DISPLAY	1	SA
1-1	DA64-04020A	3	M0196	MASCOT	Ni	1	SA
1-2	DA71-40137A	5	A0597	STOPPER-DOOR	STS304,T2.0,T2.0	1	SA
1-3	DA63-06734B	5	-	GROMMET HINGE-FRE LOW	RT-H530G,PK,EBONY	1	SA
1-4	DA61-08832C	5	-	CASE CONTROL	RT5000K,PP,BLACK,BLACK,PP S	1	SA
2	DA91-04138B	2	Z1100	ASSY DOOR FOAM-REF	RT-H460G,SL (EZ Clean	1	SA
2-1	DA61-03769B	4	A0534	MAGNET	SVETA,FERRITE,1600Gauss	1	SA
2-2	DA61-00589B	4	Z2014	STOPPER DOOR-REF LOW	RT6000K,PK,COOL WHI	1	SA
2-3	DA61-09633A	4	-	STOPPER-REF	3050-2,PO-SPHC,T4.0	1	SA
3	DA63-07346A	3	A0656	TRAY EGG	3050,GPPS,HB,TP BLUE,165N,HI-	2	SA
4	DA63-07714A	2	A0711	GUARD-FRE	RT46/RT43,GPPS,TP BLUE	2	SA
5	DA63-07387A	2	Z1010	GUARD-BOTTLE	3050,GPPS,T3,NATURAL,380	1	SA
6	DA97-19012D	2	-	ASSY GUARD VARIETY	RT35/38,GUARD VARIETY	1	SA
6-1	DA63-07388A	2	-	GUARD-VARIETY	3050,GPPS,T3,TP BLUE,380	3	SA
8	DA97-13921L	2	-	ASSY GASKET-FRE	RT46/RT43,GRAY,W640,L505	1	SA
9	DA97-13921M	2	-	ASSY GASKET-REF	RT46,GRAY,W640,L1132	1	SA
10	DA67-02385M	4	-	CAP DOOR SWITCH	3050-PJT,PP,T1.5,HB,BJ75	1	SA
11	DA34-00043J	4	-	SWITCH REED	UL1007 AWG 22,50mm	1	SA
12	DA97-16831E	2	A0626	ASSY COVER CONTROL	RT6000K,Vacation	1	SA
12-1	DA92-00464K	3	-	ASSY MODULE	MATRIX,RT6000K,WHITE LED, 11	1	SNA
12-2	DA64-05092E	3	-	INLAY CONTROL	RT6000K,PC,Vacation	1	SNA
13	DA97-14431Q	2	A0553	ASSY HANDLE	RT7/6000K,MATT DOI METAL,AS	1	SNA
14	DA97-14431Q	2	A0553	ASSY HANDLE	RT7/6000K,MATT DOI METAL,AS	1	SNA
14-1	DA63-07709A	4	-	COVER HANDLE	RT53/50/46/43,ABS,HB,NATURA	2	SNA
14-2	DA61-09575A	4	-	BASE HANDLE	RT53/50/46/43,ABS,INOX GRAY,	2	SNA
14-3	6002-001122	2	G0412	SCREW-TAPPING	FH,+,1,M4,L14,ZPC(WHT),SWR	1	SC

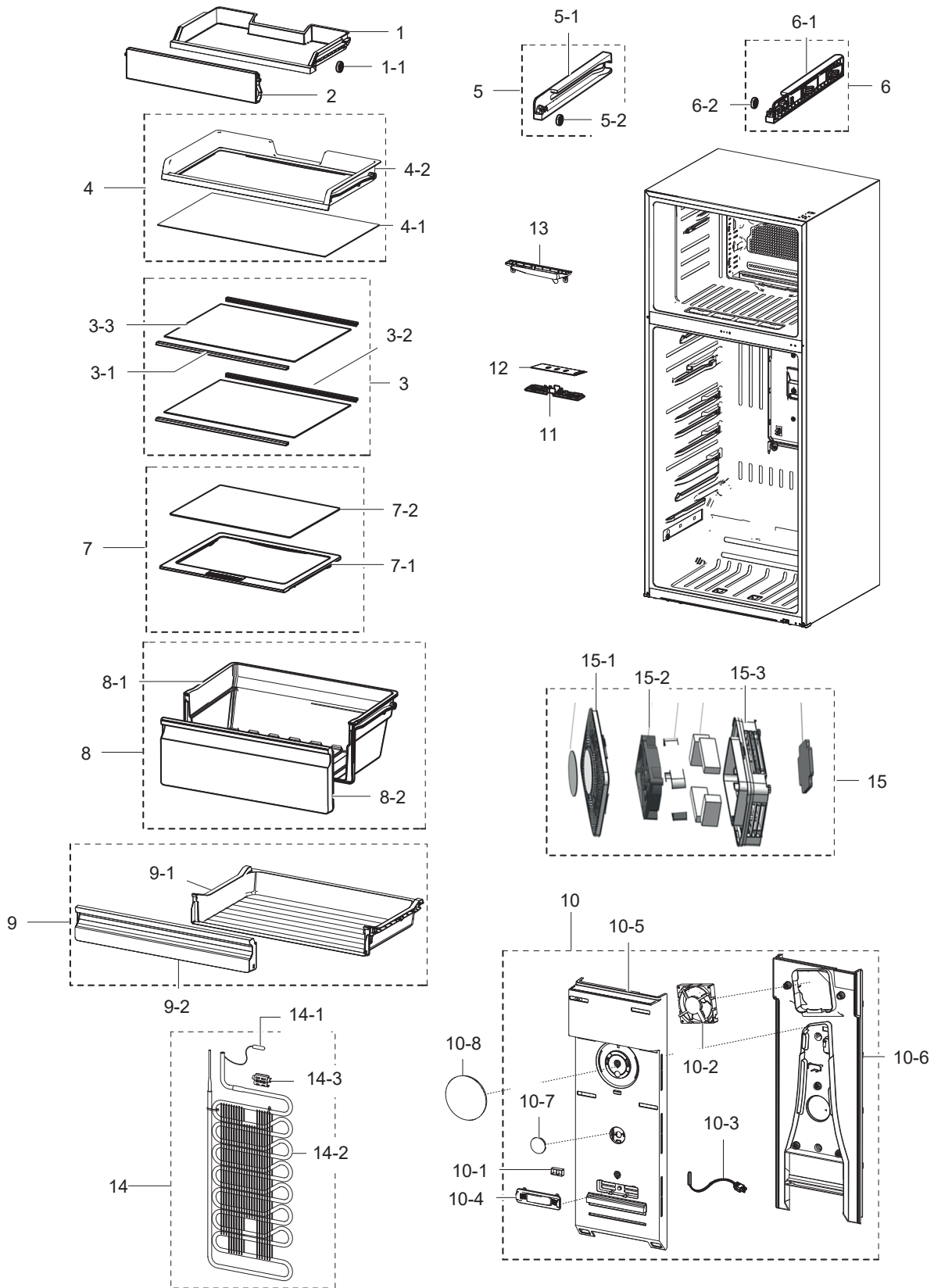
Freezing compartment



PART LIST OF FREEZER : RT46K6335SL/ES

No.	Code No.	Lvl.	Loc.	Description	Specification	Qty	SA/SNA
1	DA90-09629A	1	A0104	ASSY ICE MAKER	RT43/46,TWIST,PLASTIC	1	SNA
1-1	DA61-10831A	3	-	SUPPORT ICE MAKER	RT7000K,HIPS,S834S1,CO	1	SA
1-2	DA97-13501A	3	A0105	ASSY TRAY ICE	RT32/29/25/22,COOL,2 TWIST	1	SA
1-2-1	DA61-08907A	4	A0718	CASE-TRAY ICE	RT38/35/32/29,2TWIST,PP,CO	1	SA
1-2-2	DA61-20136A	4	-	SPRING ETC-ICE MAKER	SR-53EA,STS304,COIL	2	SA
1-2-3	DA63-07337A	4	A0120	TRAY ICE	3050,TMF,PP,T1,COOL WHITE,14	2	SA
1-2-4	DA64-04461A	4	A0118	KNOB-TRAY ICE	3050 TMF,ABS,COOL WHITE,MA	1	SA
1-2-5	DA66-01003A	4	-	LEVER-TRAY ICE KNOB	3050,TMF,PA66,A205F,	1	SA
1-2-6	DA66-01006A	4	M0434	LEVER-TRAY ICE	RT320,POM,K300,NATURAL	1	SA
1-3	DA97-13671H	3	A0105	ASSY TRAY ICE	RT7000,TRAY ICE-CUBE,GPPS,	1	SA
1-3-1	DA63-07331C	4	-	TRAY ICE-CUBE	RT5/6/7000K,RT4500,GPPS,HB	1	SA
2	DA67-04097A	2	-	SHELF-FRE	3050-2,GPPS,TP BLUE,RT-H430G	1	SA
3	DA63-07355A	2	A0756	COVER-AIR FRE	RT380/350,PP,T1.5,COOL WHI	1	SA
4	DA97-16255G	2	M0303	ASSY COVER EVAP-FRE	RT6000K,RT43/46/50/5	1	SA
4-1	DA31-00338A	3	-	MOTOR BLDC FAN	U92C12MS1B3-52K,3115.5-35	1	SA
4-2	DA32-00070A	3	A1018	SENSOR TEMP	SC41198-021A,900mm,13.2kohm	1	SA
4-3	DA63-07761A	3	-	GROMMET FIXER	RF-H920G,RUBBER,BLACK	1	SNA
4-4	DA63-08318G	3	-	COVER EVAP-FRE	RT6000K 43/46/50/53,PP,HB	1	SA
4-5	DA67-00738A	3	M0356	CAP-KNOB	MAX-PJT,PP,-,-,-,-,-,-,-,COOL	1	SNA
4-6	DA63-08326B	3	-	COVER-TWIN COOLING	GPPS,HB,GENTLE BLUE,S	1	SNA
5	DA96-01010L	2	A0163	ASSY EVAP-FRE	RT6000K_RT43,46,4star,Fin	1	SA
5-1	DA59-00554C	3	-	EVAPORATOR-FRE	Fin Tube,RT35,38,43,46,1,	1	SNA
5-2	DA61-00603A	3	T0066	FIXER SENSOR	n-PJT,PP,T2,NATURAL,BJ750	1	SA
5-3	DA61-12385A	3	-	PLATE HEATER	BRF8000M,Al,T0.7,A1100P-H14	1	SA
5-4	DA61-07411A	3	A0744	FIXER-FUSE	NW2,PP,NATURAL,BJ750	1	SA
5-5	DA32-00066B	3	A1018	SENSOR TEMP	TWIN,-50~80°C,5V,-,-,PBA CA	1	SA
5-6	DA47-00301F	3	A1008	THERMO FUSE-ASSY	AC250V,10A,109~110°C,S.O	1	SA
5-7	DA47-00507B	3	-	HEATER METAL SHEATH	AC230V,3050 TMF, 352	1	SA
5-8	DA61-07410A	3	G0205	FIXER-HEATER FRE	NW2,PP,NATURAL,BJ750	2	SA
6	DA67-30266K	2	A0270	CAP SCREW	A-TOP,PP,T1.5,HB,BJ750,COOL W	3	SA
7	DA41-00519R	2	G0090	ASSY LAMP LED	3ea,CEM-1,65*10*1.6T,WHITE	1	SA
8	DA63-07368A	2	A0280	COVER LAMP	3050,GPPS,T2,TP BLUE,HH104	2	SA

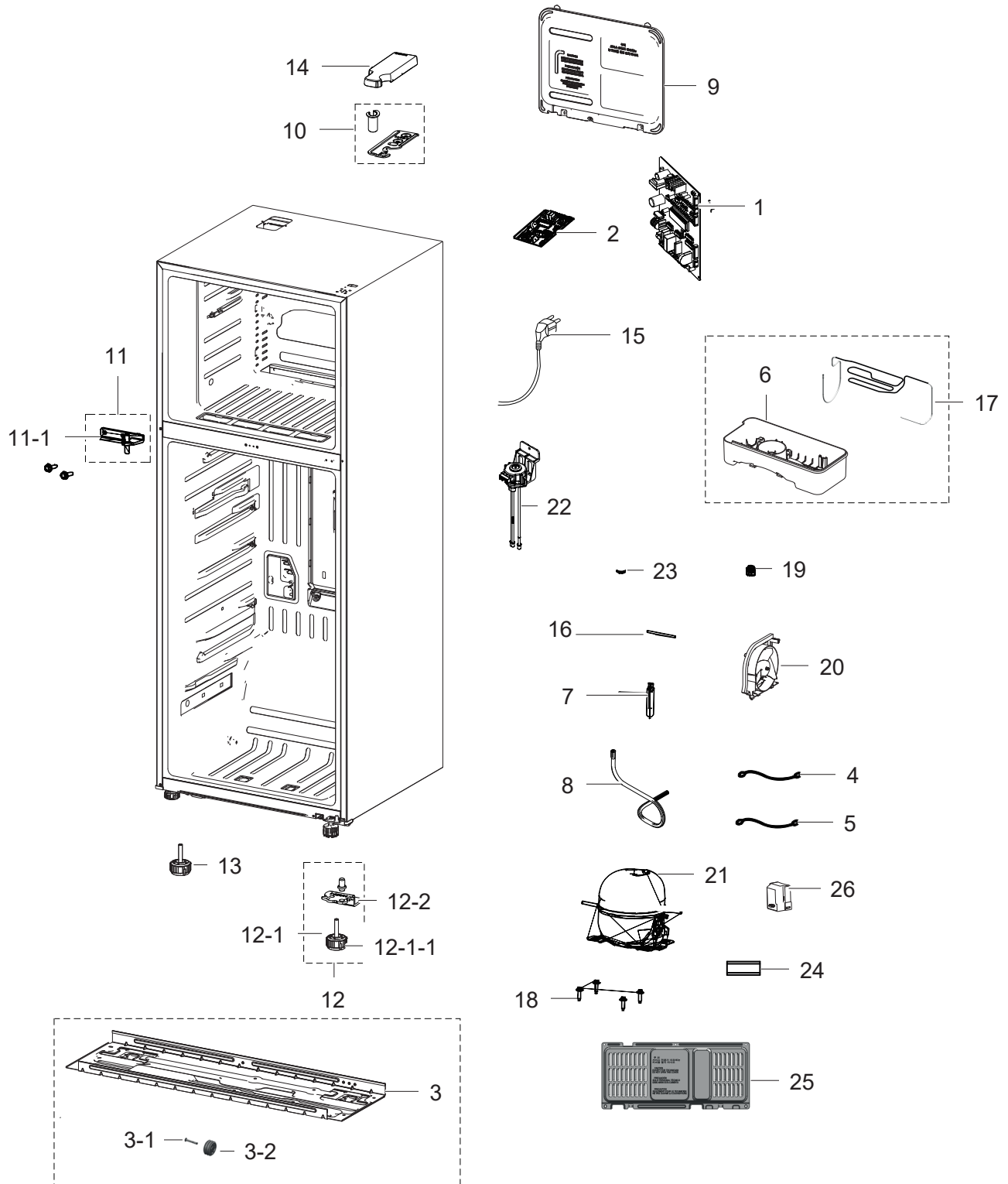
Fridge compartment



PART LIST OF FRIDGE : RT46K6335SL/ES

No.	Code No.	Lvl.	Loc.	Description	Specification	Qty	SA/SNA
1	DA63-08327A	2	-	TRAY CHILLED ROOM	RT46,GPPS,T2.5,HB,TP B	1	SA
1-1	DA66-00885A	2	A0919	ROLLER-VEG	TD,PP,NATURAL	2	SA
2	DA63-07692B	2	-	COVER TRAY-CHILLED	RT46/43,GPPS,T2.5,HB,	1	SA
3	DA97-16284H	2	-	ASSY SHELF GLASS-REF	RT6000K_RT46/43,Las	2	SA
3-1	DA64-04392H	3	-	TRIM SHELF-REF FRONT	RT 43/46,ABS,SV-015	2	SA
3-2	DA64-05867A	3	-	TRIM SHELF-REF REAR	RT43/46,ABS,SV-0157,	2	SNA
3-3	DA64-04992A	3	-	GLASS-SHELF REF	RT6000_46/43,GLASS,T3.2,	2	SNA
4	DA97-16282A	2	-	ASSY SHELF SLIDE-REF	RT6000_46/43	1	SA
4-1	DA64-04991A	3	-	GLASS-SHELF REF SLIDE	RT6000_46/43,GLASS	1	SNA
4-2	DA67-04176A	3	-	SHELF SLIDE	RT46,HIPS,COOL WHITE	1	SNA
5	DA97-14368B	3	-	ASSY RAIL-LEFT	3050-2,COOL WHITE	2	SNA
5-1	DA61-09581A	4	-	GUIDE RAIL-L	RT H530/500/460/430G,HIPS,S	2	SNA
5-2	DA66-10104A	4	-	ROLLER-FRE	POM,D22,NATURAL	2	SC
6	DA97-14369B	3	-	ASSY RAIL-RIGHT	3050-2,COOL WHITE	2	SNA
6-1	DA61-09582A	4	-	GUIDE RAIL-R	RT H530/500/460/430G,HIPS,S	2	SNA
6-2	DA66-10104A	4	-	ROLLER-FRE	POM,D22,NATURAL	2	SC
7	DA97-14342C	2	A0181	ASSY COVER VEG	RT6000K,RT46/43	1	SA
7-1	DA63-07702A	3	A0210	COVER VEG	RT46/43,HIPS,COOL WHITE,ATE	1	SNA
7-2	DA67-03645V	3	-	GLASS-SHELF REF LOW	GLASS	1	SNA
8	DA97-14337A	2	M0300	ASSY CASE VEG-LOW	RT46/43	1	SA
8-1	DA61-09580A	3	-	CASE VEG-LOW	RT46/43,PP,COOL WHITE,BJ750	1	SNA
8-2	DA63-07707A	3	-	COVER VEG-FRONT LOW	RT46/43,GPPS,TP BLUE	1	SNA
10	DA97-16256L	2	Z1177	ASSY COVER EVAP-REF	RT6000K,RT43/46/50/5	1	SA
10-1	DA02-00216B	3	-	CATALYST-DEODORIZER	T10,W15,L30,3050 TMF	1	SA
10-2	DA31-00338A	3	-	MOTOR BLDC FAN	U92C12MS1B3-52K,3115.5-35	1	SA
10-3	DA32-00070B	3	A1018	SENSOR TEMP	SC41198-021A,500mm,13.2kohm	1	SA
10-4	DA63-07423A	3	-	COVER-DEODORIZER	3050,PP,COOL WHITE,SCRE	1	SA
10-5	DA63-08319A	3	-	COVER EVAP-REF A	RT6000K 43/46/50/53,PP,	1	SNA
10-6	DA63-08324B	3	-	COVER EVAP-REF B	RT43/46/50/53,PP,HB,BLA	1	SNA
10-7	DA67-00738A	3	M0356	CAP-KNOB	MAX-PJT,PP,COOL	1	SNA
10-8	DA63-08326B	3	-	COVER-TWIN COOLING	GPPS,HB,GENTLE BLUE,S	1	SNA
11	DA63-07368A	2	A0280	COVER LAMP	3050,GPPS,T2,TP BLUE,HH104	2	SA
12	DA41-00519B	2	G0090	ASSY LAMP LED	5ea,CEM-1,100*20,WHITE,SMA	1	SA
13	DA61-09620B	4	-	PLATE DRAIN	RT43,Al,T0.3,A3003-H12	1	SNA
14	DA96-01229A	2	A0184	ASSY EVAP-REF	RT6000K,BARE TUBE,AL	1	SA
14-1	DA32-00070C	3	A1018	SENSOR TEMP	SC41200-021A,250mm,11.73kohm	1	SA
14-2	DA59-00605A	3	-	EVAPORATOR-REF	Fin Tube,RT6000K,1,AL,7,B	1	SNA
14-3	DA61-00453A	3	A0743	FIXER-SENSOR	A-TOP,EVAP,PP,NATURAL,BJ750	1	SA

Cabinet compartment



PART LIST OF CABINET : RT46K6335SL/ES

No.	Code No.	Lvl.	Loc.	Description	Specification	Qty	SA/SNA
1	DA92-01356X	1	A0952	ASSY PCB MAIN	TWIN COOLING,RT6000K,160*1	1	SA
3	DA97-14357A	2	A0526	ASSY CHASSIS COMP	3050-II(RT-H460G),CASTE	1	SA
3-1	DA60-90146A	3	A0861	PIN-CASTER	SR-289-429,MSWR10,L38,ZPC2	2	SA
3-2	DA61-40126B	3	A0527	CASTER-REAR	REF-ALL,PP,PI 44,NATURAL,W22	2	SA
4	DA39-20389A	2	A0562	ASSY WIRE HARNESS-EARTH	EARTH,ALL,,,,,FR	2	SA
6	DA97-19114A	2	A0529	ASSY TRAY DRAIN WATER	RT6000K,New Design	1	SA
6-1	DA63-09177A	3	Z1023	TRAY DRAIN-WATER	RT5/6000K,PP,BLACK	1	SA
7	DA62-04309A	2	A0669	DRYER	C1220T-H,L137,SINGLE MOUTH,8	1	SA
8	DA62-04154A	2	-	PIPE CONNECT	3050-PJT,Cu,OD6.35,T0.5,C12	1	SA
9	DA97-16238B	2	-	ASSY COVER PCB-MAIN	RT5/6/7000K,1 BOARD,	1	SA
10	DA97-13610A	2	A0705	ASSY HINGE UPP	3050PJ,T2.0,380/350	1	SA
11	DA97-14404A	2	-	ASSY HINGE-MIDDLE	RT-H530G,530/500/460/4	1	SA
11-1	DA61-09576A	3	-	HINGE-MIDDLE	RT53,50,PO-SPHC,T4.5,-,-,ZP	1	SNA
12	DA97-13857F	2	M0344	ASSY HINGE-LOW RIGHT	RT6000K,model RT50/	1	SA
12-1	DA61-09106A	3	A0577	FOOT-FRONT	RT6000HW,PP,BLACK,PP_SCRAP,	1	SA
12-1-1	DA61-07973B	3	A0863	FOOT	POLARIS,PP,BLACK,PP_S,0103-00	1	SA
12-2	DA61-11132B	3	A0247	HINGE-LOW	RT6000K,PO-SPHC,T4,-,-,-,TSE	1	SA
13	DA61-09106A	3	A0577	FOOT-FRONT	RT6000HW,PP,BLACK,PP_SCRAP,	1	SA
14	DA63-07711A	2	A0237	COVER HINGE-UP	RT53,50,46,43,PP,HB,INOX	1	SA
15	3903-001011	2	A0273	POWER CORD-AT	H05VV-F 3x0.75mm2,BLK,EU3F	1	SA
17	DA97-19113A	3	-	ASSY PIPE IMMERSING	RT6000K,-,-,-	1	SA
18	6011-001546	2	A0564	BOLT-HEX	M5(P0.8),L16,ZPC(WHT),HWH,+	2	SA
19	DA63-40171B	3	M0333	GROMMET-SUCT PIPE A	NBR,ID4,OD20	1	SC
21	NN34M9112ARTT3	2	-	CMP,COMP,REFRIGERATOR,R-600A	0	1	0
22	DA62-04678A	2	-	VALVE STEP	DC12V,MODULE,2WAY,STRAIGHT	1	SA
24	DA62-00960A	2	-	SEAL CUTT-RUBBER	RT5000K,RUBBER,BLACK,T3	2	SA