

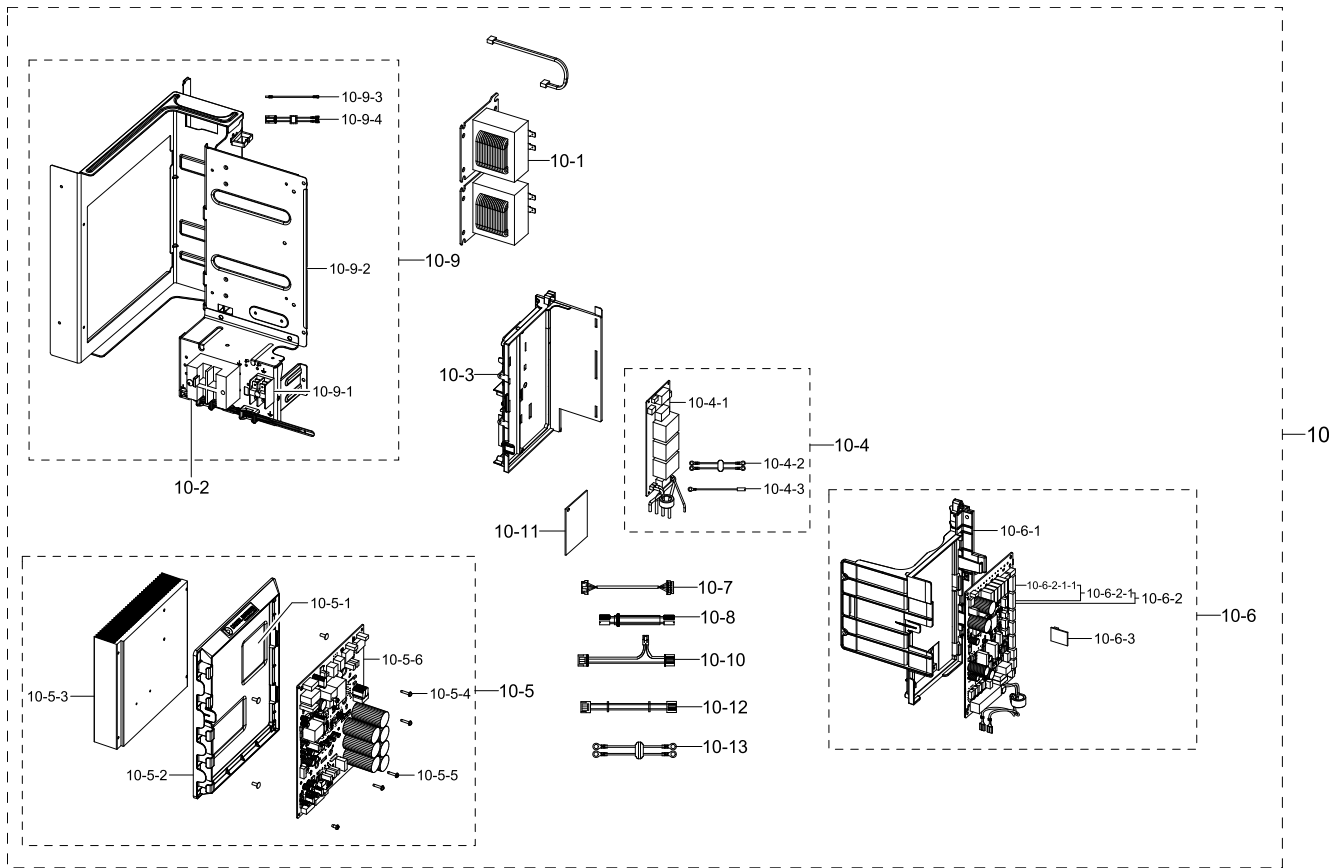
Parts List

No.	Lvl.	Loc.	Material Code	Description & Specification	SNA	Qty.
1	2		DB90-08318A	ASSY GUARD-COND; UB1 for EHS	SNA	1
1-1	3		DB63-03126B	GUARD COND; RC090MHXEA,MSWR,EARTH BROWN	SA	1
2	2		DB64-02526C	CABINET-INSTALL FRONT; RC100PHXEA,EGI-SEC	SA	1
3	2		DB90-05873D	ASSY BASE-OUT; EHS MONO,CODE C	SNA	1
4	2	A2609	DB90-07267B	ASSY CABI BACK-RH; RC090MHXEA,EHS MONO	SA	1
5	2	A2608	DB90-05904E	ASSY CABI FRONT-RH; RC090MHXEA,EHS MONO	SA	1
6	2	A2620	DB90-05971D	ASSY CABI FRONT-LF; AC120HCADKH/EU	SA	1
6-1	3	G0153	DB63-02728C	GUARD FAN; UB CHASSIS,PP,T2.5,EARTH BROWN	SA	1
7	2	A0212	DB90-05902E	ASSY CABINET-TOP; RC090MHXEA,EHS MONO	SA	1
8	2	A1748	DB94-03348B	ASSY PARTITION; AE090RXYDEG/EU,MONO UB1	SA	1
9	2	A0630	DB93-15687A	ASSY CONNECTOR WIRE-COMP; 3,3343,12,RED,M	SA	1
10	2		DB92-04632D	ASSY KIT; OUTDOOR,EHS-R32,MONO, PF#4_SAFE	SNA	1
11	2		DB95-04871D	ASSY THERMISTOR OUT-SUB OUT; 103AT,AC,-,-	SA	1
12	2		DB97-05328D	ASSY ACCESSORY; HP,INV,10.0KW,N,RC100PHXE	SA	1
12-1	3	Z0166	DB73-20134A	RUBBER-LEG; V2-MD,NBR,10,BLACK	SA	4
12-2	3	Z0165	DB63-10355C	CAP-DRAIN; -,CR,T2,-,-,-,-,BLACK,-,-,-,	SA	3
12-3	3	D0116	DB67-00806A	DRAIN-PLUG OUT; UH140GAV,PE,-,-,-,-,NATUR	SA	1
13	2	M0039	DB31-00579A	MOTOR FAN; 125W,0Hz,DC310V,CLASS E	SA	1
14	2		DB60-00405A	FASTENER-WASHER; RC100ZHXE,SWRCH10A,M8	SA	1
15	2		DB94-04381A	ASSY FAN PROPELLER; DVM S ECO,520	SA	1
16	2	A2803	DB90-05918A	ASSY BRACKET MOTOR; RC100DHXE,R410A	SA	1
17	2	S0018	DB60-30028A	NUT-FLANGE; HWH,M8,ZPC(WHT),SWRCH18A,P1.2	SA	6
18	2		DB63-02953A	CLOTH-COMP TOP; GLOBAL 4WAY,EVAR/FELT,T10	SA	1
19	2		DB63-02954C	CLOTH-COMP SIDE; RC090MHXEA,EVAR/FELT,T10	SA	1
20	2		UB8TN8265FJWSG	RCP,COMP,RCP,F,R32; RCP,COMP,RCP,F,R32		1
21	2		DB90-02316E	ASSY HOLDER-PLATE COND; RC100PHXEA	SNA	2
22	2	A0590	DB96-16877A	ASSY COND OUT; RC090MHXEA,INV	SA	1

No.	Lvl.	Loc.	Material Code	Description & Specification	SNA	Qty.
23	2		DB96-21400B	ASSY TUBE 4WAY; AE090RXYDEG,R32, UB1	SA	1
23-1	3	S0247	DB33-00002J	SOLENOID-COIL ASSY; 220V,2,YEL	SA	1
23-2	3		DB67-01292A	WEIGHT RUBBER; ADX200VGHHA1,NR,BLK,OD 15.	SA	1
23-3	3		DB96-24722A	ASSY SWITCH PRESSURE; EHS R32	SA	1
23-3-1	4	RJ101	DB34-00090A	SWITCH PRESSURE; DC5mA,DC5V,4.8MPa,L2000,	SA	1
23-4	3		DB62-02838B	VALVE 4WAY; BRASS,3.5HP, 4.6MPa,COMMON	SA	1
23-5	3		DB98-23795B	VALVE CHARGING; BRASS,4.6MPa,R410A,6.35mm	SA	2
24	2		DB96-21406B	ASSY TUBE COND; AE090RXYDEG,R32, UB1	SA	1
24-1	3		DB96-21403B	ASSY TUBE EEV; AE090RXYDEG,R32, UB1	SA	1
24-1-1	4	T0128	DB62-00541B	TUBE-FILTER; ABM-4500,C1220T-H,T1,OD19.05	SA	1
24-1-2	4		DB62-06172D	VALVE GEAR EXPAN; BRASS,4.6MPa,3.2mm,2000	SA	1
25	2		DB90-08961A	ASSY BRACKET-BODY; AE090JXYDEH/EU	SA	1
26	2		DB96-21411A	ASSY TUBE EEV; AE090JXYDEH/EU	SA	1
27	2		DB65-00323A	CLAMP; RC090MHXEA,SK5,NATURAL	SNA	2
28	2	A1301	DB95-04647A	ASSY HEATER; EHS GEN3 Mono,230V 150W	SA	1
29	2		DB61-05376A	HOLDER-HEATER; RC160MHXEA,STS316L,W15,L26	SA	4
30	2	S0242	DB81-00635A	SPRING ETC-SENSOR; DVM-SYSTEM,STS304,R2.5	SA	3
31	2	S0019	DB60-00150A	SCREW-SPECIAL; HWH,M4,L26,ZPC(WHT),SWRCH1	SA	4
32	2		DB32-00215A	SENSOR TEMP; 103AT,EVA_IN,800	SA	1
33	2		DB32-00216A	SENSOR TEMP; 103AT,WATER_INOUT,700	SA	1
34	2		DB61-00533A	HOLDER-CLAMP COND; RVXMHF050GA,GI-SGCC,T0	SNA	1
35	2		DB62-11213A	INSULATION-HOLDER SENSOR; RC090MHXEA,FOAM	SNA	1
36	2		DB62-04154B	INSULATION-HOLDER WIRE; PP FOAM+PE FOAM	SNA	1
37	2		DB62-03808C	INSULATION-HOLDER SENSOR; PP FOAM+PE FOAM	SNA	1
38	1		DB82-04392A	A/S ASSY-EEPROM; AE090RXYDEG,MONO	SA	0

2. ASSY KIT

Exploded View



Parts List

No.	Lvl.	Loc.	Material Code	Description & Specification	SNA	Qty.
10	2		DB92-04632D	ASSY KIT; OUTDOOR,EHS-R32,MONO, PF#4_SAFE	SNA	1
10-1	3		DB27-00118A	COIL HARMONIC; 2mH,20A,TAB Type	SA	2
10-2	3		DB37-00038A	TERMINAL BLOCK; DATA 60A-2P-M,MELAMINE,60	SA	1
10-3	3		DB61-04502D	CASE-EMI; RC090MHXE, HIPS,L0,NATURAL,VE-1	SA	1
10-4	3		DB92-04635C	ASSY KIT; OUTDOOR,IP,CAC & PAC & EHS,EMI PBA,	SNA	1
10-4-1	4	A1781	DB93-13593A	ASSY PCB SUB-EMI; SUB,CAC-07,230*90,-,-,-	SA	1
10-4-2	4	A0664	DB93-13687B	ASSY CONNECTOR WIRE-POWER; 2,1015,12,BRN,	SA	1
10-4-3	4	A0646	DB93-17102A	ASSY CONNECTOR WIRE-EARTH; 1,1015,12,YEL/	SA	1
10-5	3		DB92-04560A	ASSY KIT; OUTDOOR PF#4,E1-PJT,INVERTER_SA	SA	1

No.	Lvl.	Loc.	Material Code	Description & Specification	SNA	Qty.
10-5-1	4		0205-000178	GREASE-SILICON; YG6111,WHITE, for assembl	SA	0
10-5-2	4		DB61-06473A	CASE PCB; AC145JX4PHH1,ABS,COOL WHITE	SA	1
10-5-3	4	H0034	DB62-12093A	HEAT SINK; NEW PLATFORM #4,A1,10,200,192,	SA	1
10-5-4	4	A2876	DB91-00306A	ASSY-SCREW MACHINE; BLDC INV. CONTROLLER,	SA	2
10-5-5	4	A2876	DB91-00307A	ASSY-SCREW MACHINE; WW-INV,M4*16,WSP,PH,+	SA	2
10-5-6	4		DB92-04535A	ASSY PCB INVERTER; INVERTER,EHS_PF#4_SAFE	SA	1
10-6	3		DB92-04654B	ASSY KIT; OUTDOOR,EHS-R32,MAIN-OUT, PF#4/	SNA	1
10-6-1	4		DB61-05743A	CASE-PCB; AM053FXMDCH/AA,HIPS,T2,L243.3,N	SA	1
10-6-2	4	A0743	DB92-03558C	ASSY PCB MAIN-OUT; MAIN-OUT,AE6000J,192*1	SA	1
10-6-2-1	5		DB94-07964A	ASSY PCB AUTO-OUT; MAIN-OUT,AE6000J,192*1	SNA	1
10-6-2-1-1	6		DB94-07966A	ASSY PCB SMD-OUT; MAIN-OUT,AE6000J,192*12	SNA	1
10-6-3	4		DB93-12483A	ASSY PCB SUB-EEPROM; SUB,DVMPLUS4 UP,20*2	SA	1
10-7	3	A2934	DB93-04273B	ASSY CONNECTOR WIRE-COMM; 6,2095,26,BLU,S	SA	1
10-8	3	A2610	DB93-15686A	ASSY CONNECTOR WIRE-REACTOR; 2,3343,12,BL	SA	2
10-9	3		DB93-10966T	ASSY CONTROL OUT-PLATE; CO,AM040MXMKKC/EA	SNA	1
10-9-1	4	T0179	DB65-00274A	TERMINAL BLOCK; TERMINAL BLOCK,Polycarbon	SA	1
10-9-2	4		DB90-05889E	ASSY CASE CONTROL; AE090RXYDEG/EU,MONO UB	SA	1
10-9-3	4	A0646	DB93-08805B	ASSY CONNECTOR WIRE-EARTH; 1,1015,18,YEL/	SA	1
10-9-4	4	A2934	DB93-10808J	ASSY CONNECTOR WIRE-COMM; 2,1015,22,RED,Y	SA	1
10-10	3	A0664	DB93-12364A	ASSY CONNECTOR WIRE-POWER; 3,1015,18,BRN,	SA	1
10-11	3		DB93-13218A	ASSY PCB SUB-HEATER; SUB,EHS_GEN3,42*60,2	SA	1
10-12	3		DB93-13262A	ASSY CONNECTOR WIRE-HEATER; 2,1015,18,BRN	SA	1
10-13	3	A0664	DB93-13687A	ASSY CONNECTOR WIRE-POWER; 2,1015,12,BRN,	SA	1