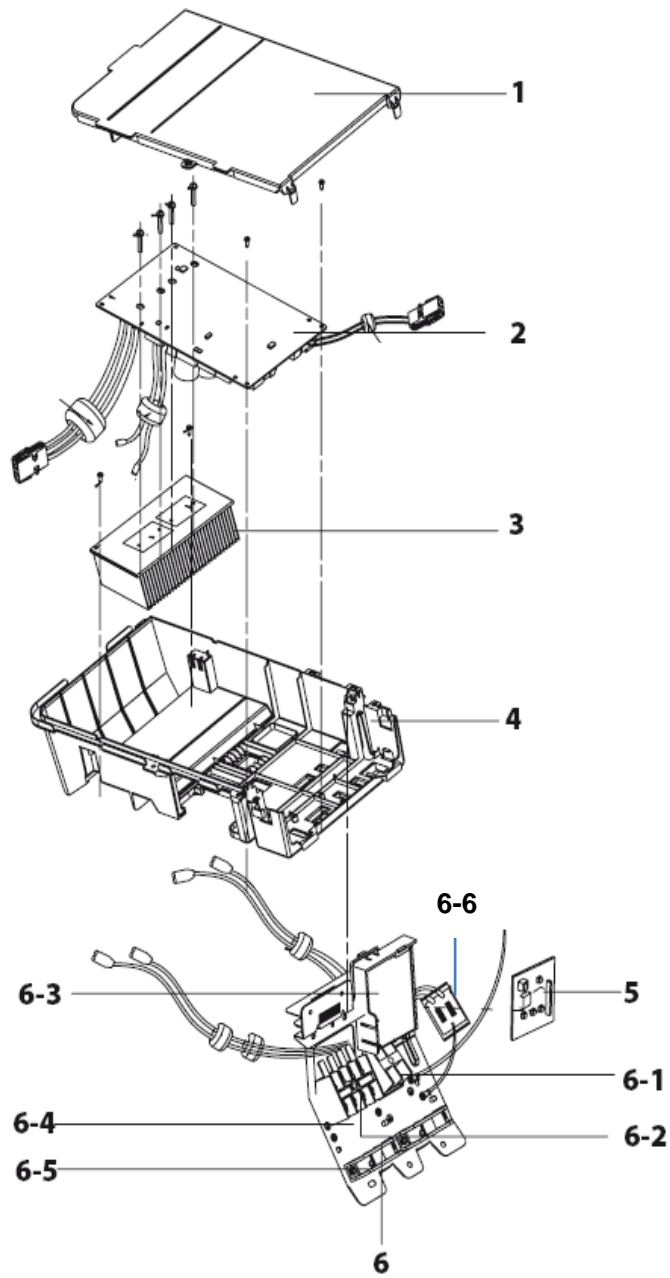


| NO   | Parts. Code  | Parts. Description           | Spec.                         | QT' Y | SA/SNA |
|------|--------------|------------------------------|-------------------------------|-------|--------|
| 1    | DB90-07180E  | ASSY CABI FRONT              | ASS' Y, SC-94445T             | 1     | SA     |
| 2    | DB63-00838C  | GUARD FAN                    | HIPS, SC-90073R               | 1     | SNA    |
| 3    | DB90-07169N  | ASSY BASE OUT                | ASS' Y, SC-94445T             | 1     | SA     |
| 4    | DB61-01593A  | BRACKET-VALVE                | SECC-P, SC-94445T             | 1     | SA     |
| 5    | DB31-00492A  | MOTOR FAN                    | AS+G/F20%, Φ 420              | 1     | SA     |
| 6    | DB67-00142A  | FAN-PROPELLER                | ABS                           | 1     | SA     |
| 7    | 6009-001729  | SCREW-SPECIAL                | BLDC MOTOR                    | 4     | SNA    |
| 8    | DB60-30020A  | NUT-HEXAGON FLANGE           | SGCC-M                        | 1     | SNA    |
| 9    | DB61-00686E  | BRACKET MOTOR                | ASS' Y, SGCC-M                | 1     | SA     |
| 10   | DB90-07183C  | ASSY CABINET-UP              | PPS, 20A                      | 1     | SA     |
| 11   | DB94-03254A  | ASSY PARTITION               | ASS' Y                        | 1     | SA     |
| 12   | DB27-00043C  | COIL CHOKE-REACTOR           | ASS' Y, SC-94445T             | 1     | SA     |
| 13   | DB96-04087B  | ASSY COND                    | SECC-P, SC-94445T             | 1     | SA     |
| 14   | DB63-03402A  | GUARD-COND BAR;              | VIVACE, MSWR-SWRM, 2. 5, 364, | 1     | SNA    |
| 15   | DB90-07173B  | ASSY CABINET-SIDE RH         | ABS, SC-90073R                | 1     | SA     |
| 16   | DB90-07179B  | ASSY COVER CONTROL           | assy                          | 1     | SA     |
| 17   | DB90-07172A  | ASSY CABINET-LF              | assy                          | 1     | SA     |
| 18   | UG4T200FUAE4 | RCP, 44, F, R410A            | ROTARY, BLDC                  | 1     | SA     |
| 19   | 6021-001142  | NUT-HEXAGON FLANGE           | NR                            | 3     | SNA    |
| 20   | DB60-30028A  | NUT-FLANGE                   | M8                            | 3     | SNA    |
| 21   | DB63-02296A  | GROMMET ISOLATOR             | EPDM                          | 1     | SNA    |
| 22   | DB63-02312A  | COVER TERMINAL               | PBT (G/F 15%)                 | 1     | SA     |
| 23   | DB63-01416C  | GASKET                       | M5                            | 1     | SNA    |
| 24   | DB63-01718A  | FELT-COMP BASE               | ASS' Y                        | 1     | SNA    |
| 25   | DB63-01668A  | FELT-COMP SIDE               | ASS' Y                        | 1     | SA     |
| 26   | DB63-03267A  | FELT-COMP SIDE OUT           | assy                          | 1     | SNA    |
| 27   | DB63-03268A  | FELT-COMP TOP                | ASS' Y                        | 1     | SNA    |
| 28   | DB96-17380B  | ASSY-4WAY VALVE              | STEEL ACCUM.                  | 1     | SA     |
| 28-1 | DB62-02342A  | VALVE SERVICE-SPINDLE        | . , 5/8", R410A, FLAR         | 1     | SA     |
| 29   | DB96-17413A  | ASSY-VALVE EXPANSION         | C1220T-0                      | 1     | SA     |
| 29-1 | DB62-02283A  | VALVE SERVICE-SPINDLE        | . , 1/4", R410A, FLAR         | 1     | SA     |
| 30   | DB93-12229A  | ASSY CONTROL OUT             | R410A, SANHUA, 1/2"           | 1     | SA     |
| 31   | DB93-11244C  | ASSY CONNECTOR WIRE          | FJM2 PF3 MODEL, SSEC          | 1     | SA     |
| 32   | DB95-01976C  | ASSY THEMISTOR               | CAC                           | 1     | SA     |
| 33   | DB95-04329A  | ASSY THEMISTOR-AIR/DIS       | SYSTEM                        | 1     | SA     |
| 34   | DB93-12333A  | ASSY CONNECTOR WIRE-DP POWER | RC071DHXEA,                   | 1     | SA     |
| 35   | DB73-20134A  | RUBBER-LEG                   | NBR, BLACK                    | 4     | SA     |



| NO  | Parts.Code  | Parts.Description   | Spec.                        | QT' Y | SA/SNA |
|-----|-------------|---------------------|------------------------------|-------|--------|
| 1   | DB61-04910A | CASE CONTROL-UPPER  | Q CHASSIS, ABS, DARK GR      | 1     | SA     |
| 2   | DB93-10939E | ASSY PCB MAIN-OUT   | RC071DHXEA, SSEC, Y, SMPS    | 1     | SNA    |
| 3   | DB62-10653A | HEAT SINK           | FJM2 PF3 MODEL, AL, SCREW    | 1     | SA     |
| 4   | DB61-04908A | CASE CONTROL-OUT    | Q CHASSIS, ABS, GRAY, 5V, S  | 1     | SA     |
| 5   | DB93-12212A | ASSY PCB SUB        | RC071DHXEA, SSEC, N          | 1     | SNA    |
| 6   | DB93-12230B | ASSY-T/B PLATE      | DB93-12230                   | 1     | SNA    |
| 6-1 | DB65-00061H | TERMINAL BLOCK      | FORTE-PJT, PBT, 2-TAB, 2-SCR | 1     | SNA    |
| 6-2 | DB65-00176H | TERMINAL BLOCK      | EAGLE-INV, PBT, 4-TAB_4-SCR  | 1     | SNA    |
| 6-3 | DB61-04755A | CASE-SUB PCB        | PC+ABS                       | 1     | SNA    |
| 6-4 | DB90-06600A | ASSY-CONTROL PLATE  | INV P, SSEC                  | 1     | SNA    |
| 6-5 | DB61-04710A | HOLDER-WIRE CLAMP A | ABS+PC, 5V                   | 2     | SA     |
| 6-6 | DB95-01040E | ASSY-NOISE ABSORBER | ForTe2-INV, ASSY             | 1     | SA     |