

5. EXPLODED VIEWS AND PARTS LIST



[MATERIAL CODE STANDARDS]

Material codes and names and their respective naming rules are managed in accordance with the prescribed standards. Please refer to these standards when requesting a material.

1. Material Code Type

● : Number

■ : Letter (Alphabet)

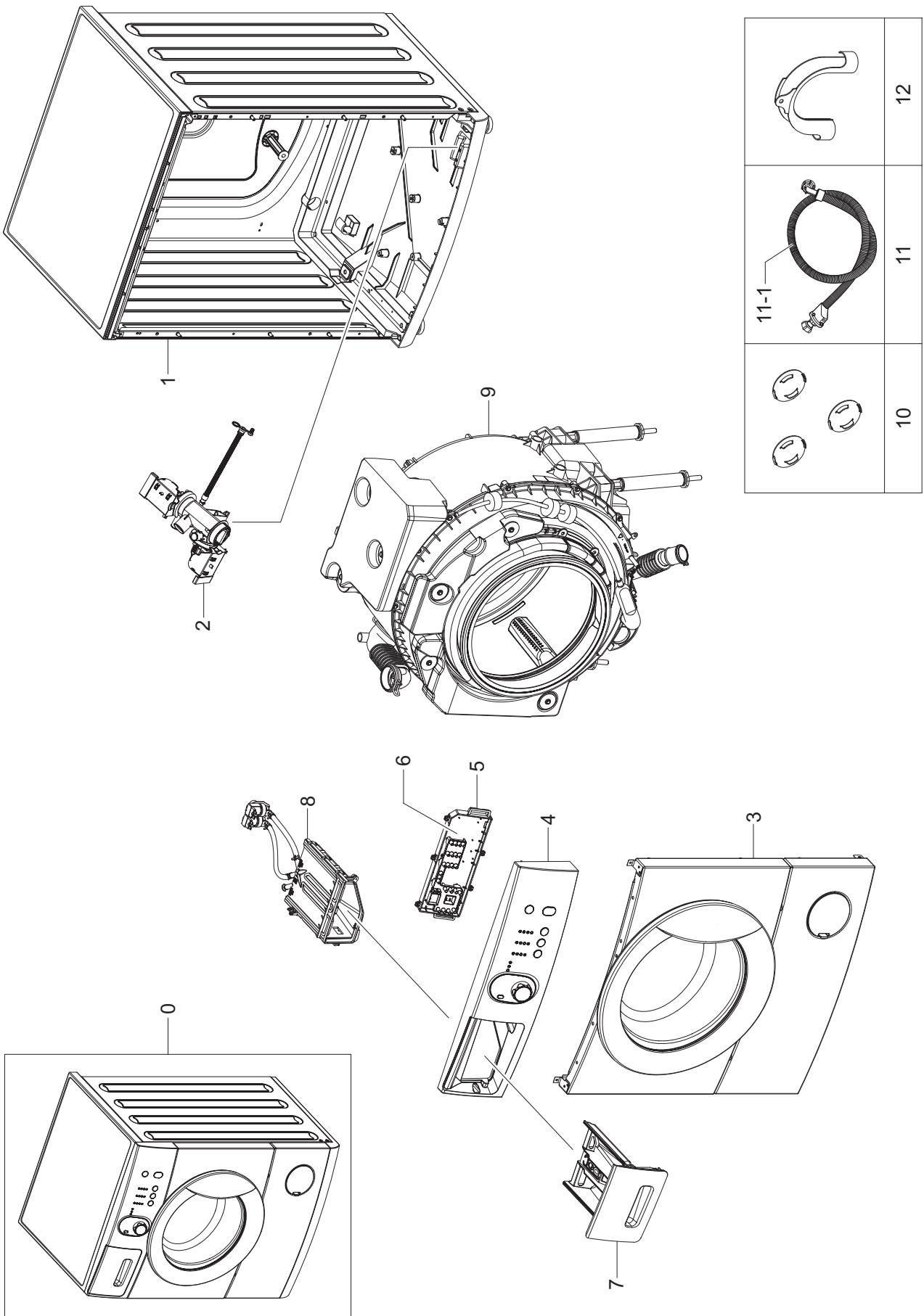
Type 1	 ex) 0204-000418 FREON	Enterprise-wide parts Type 1 materials can be used for all Samsung Electronics products. (Most electrical parts belong to this type.)
Type 2	 ex) DC96-01390A ASSY-CONTROL	Division-wide parts (DC**-Washing machine) Type 2 materials can be used for specific products. (Most instruments and tools belong to this type.)

2. Ass'y Materials

All ass'y material codes start with DC9*.

An ass'y material is created by combining more than two materials. If a requested material cannot be provided, you can request an ass'y material that contains that material.

5-1. MAIN

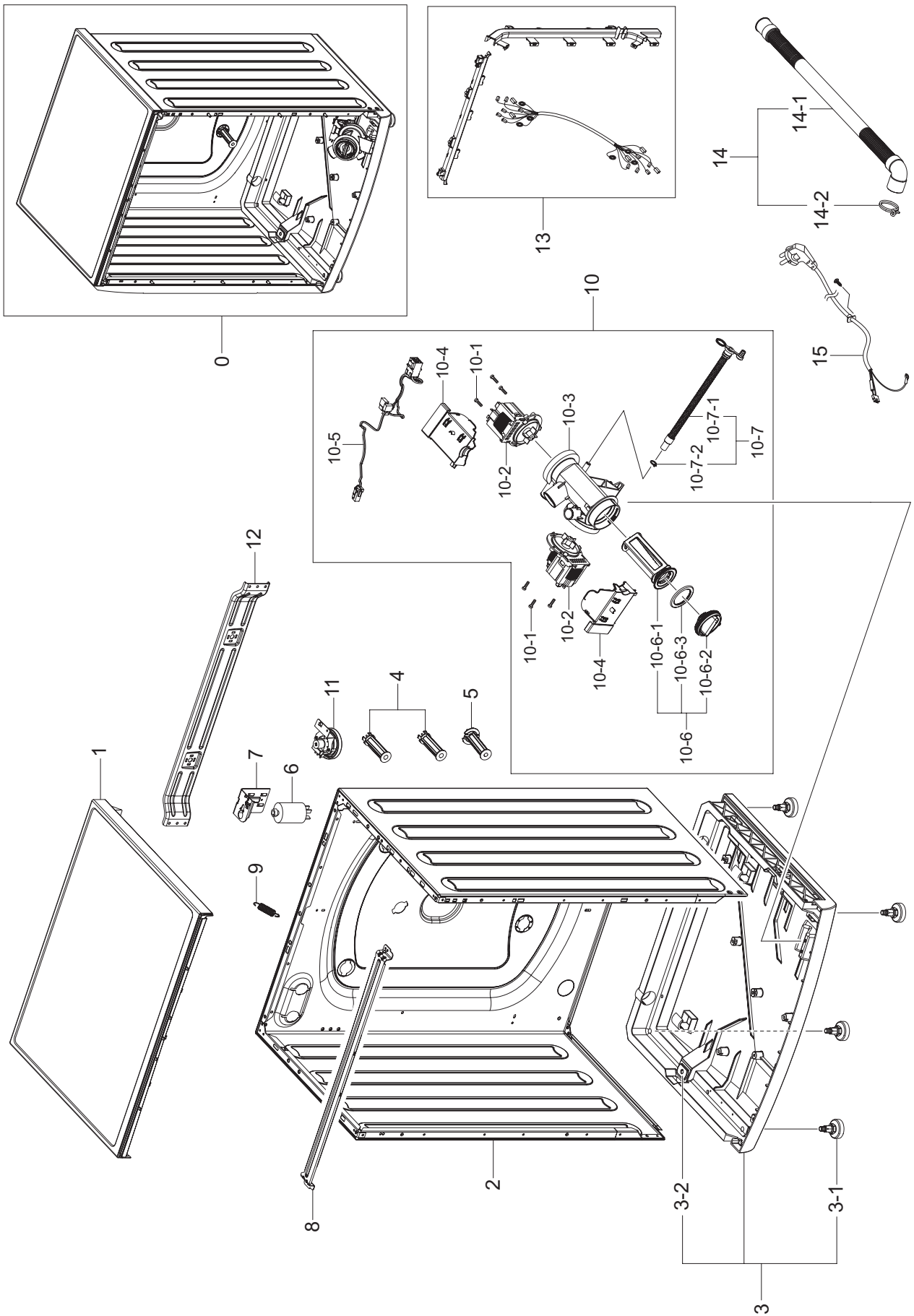


11-1	11	12	12
10	10		

MODEL CODE: WF1602WUV/XEOService Bom (**SA**: SERVICE AVAILABLE, **SNA**: SERVICE NOT AVAILABLE)

Drawing No.	Code No.	Description	Specification	QTY	Un	SA/SNA
0	WF1602WUV_XEO	ASSY-WASHING MACHINE	S-AM BUBBLE			
1		FRAME & COVER PARTS	Refer to 5.2 Frame & Base Parts	1		
2	DC97-16646A	ASSY PUMP DRAIN	S-AM BUBBLE PJT,WF1602WUV/XEO,50HZ,HANYU	1	PC	SNA
3		ASSY FRAME FRONT & DOOR	Refer to 5.4 Frame Front & Door Parts	1		
4	DC97-16352E	ASSY PANEL CONTROL	S-AM,WF1602WUV/XEO,GOOD,WHITE	1	PC	SA
5	DC92-00365C	ASSY PCB MAIN	AMICA,WF05,WF06,5KG,6KG,1200,1400RPM	1	PC	SA
6	DC92-00518T	ASSY PCB SUB	S-AM, WF0602,6KG,230V/50Hz,JOE,BUBBLE,Y,SMPS	1	PC	SA
7	DC97-16137A	ASSY DRAWER	S-AM PJT,WF0602NXW,PP+ABS,NON Ag+	1	PC	SA
8		ASSY HOUSING DRAWER & WATER VALVE	Refer to 5.6 Assy Housing Drawer & Water Valve Parts	1		
9	DC90-06242A	ASSY TUB&DRUM	S-AM BUBBLE,WF1602WUV	1	PC	SNA
10	DC67-00500A	CAP-FIXER	8010571,PP,OD37,WHT	3	PC	SA
11	DC97-16232A	ASSY HOSE WATER-708567	1141817,AMICA-PJT,708567	1	PC	SA
11-1	DC67-00503A	HOSE-WATER	8018098/AM-PJT,PVC+NYLON,ID10,OD16,L1500,GRY	1	PC	SA
12	DC67-00501A	HOSE-HANGER	8010550,PP,GRY	1	PC	SA

5-2. FRAME & BASE PARTS

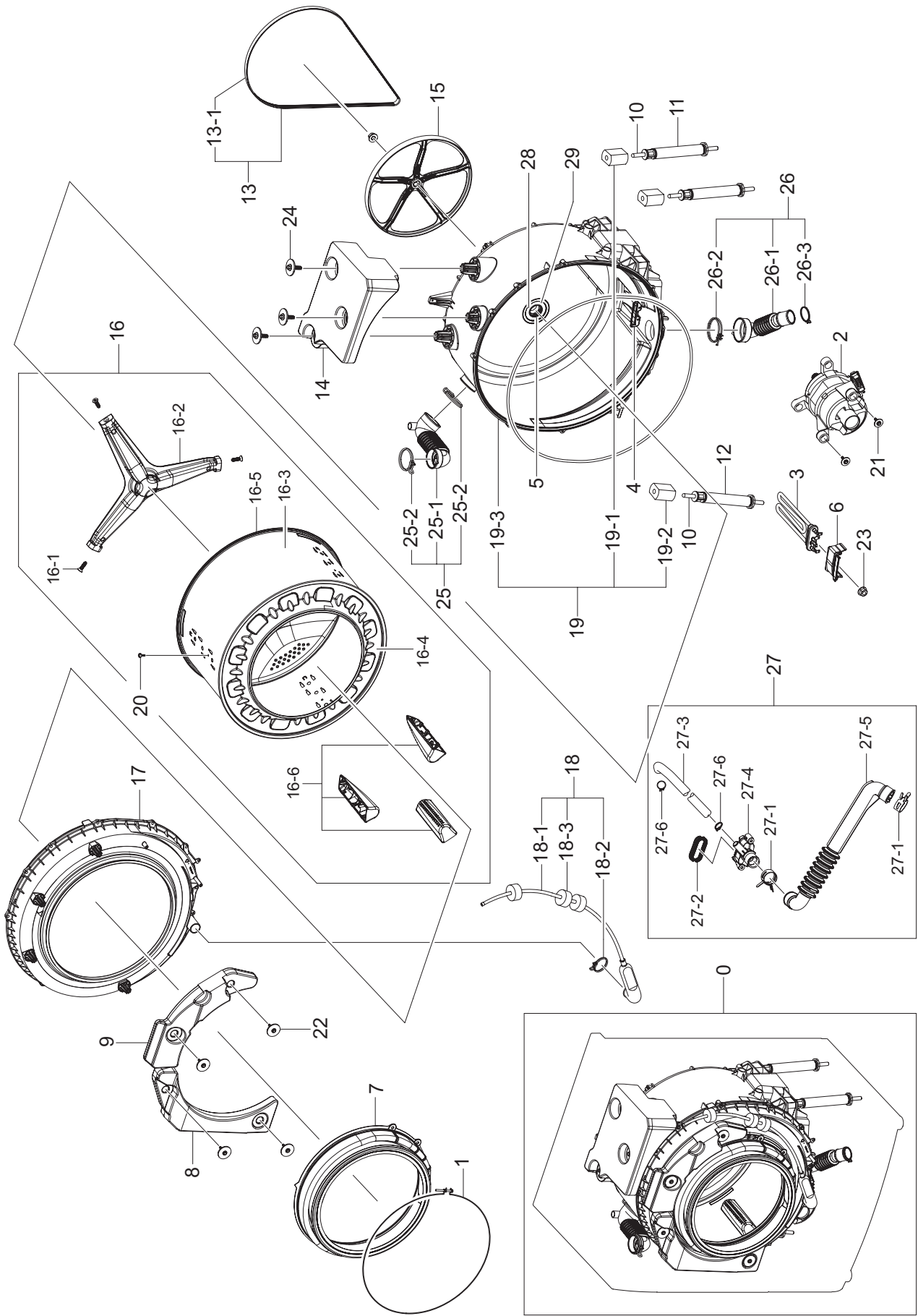


MODEL CODE: WF1602WUV/XEO

Service Bom (SA: SERVICE AVAILABLE, SNA: SERVICE NOT AVAILABLE)

Drawing No.	Code No.	Description	Specification	QTY	Un	SA/SNA
0		FRAME & COVER PARTS		1		
1	DC97-16298A	ASSY COVER TOP	S-AM PJT,WF0602NXW,D474.9, W596,WHITE	1	PC	SA
2	DC97-16253A	ASSY FRAME-9021502	1143374,AMICA-PJT,9021502	1	PC	SA
3	DC90-03775B	ASSY BASE	S-AM,WF0602NXW	1	PC	SA
3-1	DC61-02841A	LEG	SAM-PJT,8018385,D34.5	4	PC	SA
3-2	DC66-00622A	DAMPER-RUBBER(A)	SAM-PJT,CR RUBBER,T21,W34,H42,hardness50,GRY,8029480	3	PC	SA
4	DC61-02830A	FIXER-TUB(U)	SAM-PJT,PP,T2,L75,OD27/25,8010493	2	PC	SNA
5	DC61-02831A	FIXER-TUB(L)	SAM-PJT,PP,T2,L79,OD35/25,8012871	1	PC	SNA
6	DC29-00005D	FILTER-EMI	FA-2151T-4 / RDFC-2718,1.2mm Nut,250V,15,D38*51,CAN,VDE	1	PC	SA
7	DC61-02808A	BRACKET-FILTER EMI	WF0602NXW,GI-SGCC,T0.8,W78,L56,S-AM	1	PC	SA
8	DC63-01242A	FRAME-PLATE	8017921,W582,NTR	1	PC	SA
9	DC61-02857A	SPRING ETC-HANGER	8037286	1	PC	SA
10	DC97-16646A	ASSY PUMP DRAIN	S-AM BUBBLE PJT,WF1602WUV/XEO,50HZ,HANYU	1	PC	SNA
10-1	6002-001498	SCREW-TAPPING	8012992	3	PC	SA
10-1	6002-001498	SCREW-TAPPING	8012992	3	PC	SA
10-2	DC31-00030A	PUMP-DRAIN	B20-6,220V,50Hz,-,HANYU	2	PC	SA
10-3	DC61-03141A	CASE-PUMP	WF1602WUV/XEO,PP,T3.0,OD105,L150,WHT	1	PC	SA
10-4	DC63-00830B	COVER-PUMP	COVER-PUMP,PP,T1.3,W60.5,L75,V0,WHT	2	PC	SA
10-5	DC93-00016F	ASSY WIRE HARNESS-PUMP	S-AM PJT,WF1602WUV/XEO,220~240V/50~60HZ,BUBBLE,DRAIN	1	PC	SA
10-6	DC97-15695B	ASSY FILTER	S-AM BUBBLE PJT,WF1602WUV,2WAY,PP	1	PC	SA
10-6-1	DC63-01365A	FILTER-PUMP	WF1602WUV/XEO,PP,T2.0,W52,L105,2WAY	1	PC	SNA
10-6-2	DC64-01317A	HANDLE-FILTER	HANDLE-FILTER,PP,T2.5,W55,L35,-,BLK,-	1	PC	SNA
10-6-3	DC73-00022A	SEAL-PACKING	SEW-HVR149ATA,EPDM,BLK,40	1	PC	SNA
10-7	DC97-16243A	ASSY HOSE PUMP DRAIN	705820	1	PC	SA
10-7-1	DC67-00507A	HOSE DRAIN-PUMP	EPDM,GRY,8026779	1	PC	SA
10-7-2	DC72-00090A	CLIP-RING	8010563/SAM-PJT,HSWR,T1.5	1	PC	SA
11	DC96-01703A	ASSY SENSOR PRESSURE	AEGIS-PJT,-,-,DRUM / PCB TYPE,-,-	1	PC	SA
12	DC61-02833A	BRACKET-FIX	8036543,GI-SGCC,T0.8,W60,L590,NTR	1	PC	SNA
13	DC93-00178D	ASSY M.GUIDE WIRE HARNESS	S-AM PJT,WF1602WUV/XEO,220~240V/50~60HZ,BUBBLE,6Kg, DC MOTOR	1	PC	SA
14	DC97-16236A	ASSY HOSE DRAIN(O)	705822	1	PC	SA
14-1	DC67-00508A	HOSE DRAIN-(O)	PP+EPDM,L2022,GRY,8010472	1	PC	SA
14-2	DC72-00091A	CLIP-RING	8012815,HSCR,T2.5	1	PC	SA
15	DC96-00146E	ASSY POWER CORD	UCP2,250V/16A,H05VV-F 1.5mm,1500mm,NO-FUSE,S-AM PJT	1	PC	SA

5-3. ASS'Y TUB & DRUM



MODEL CODE: WF1602WUV/XEO

Service Bom (SA: SERVICE AVAILABLE, SNA: SERVICE NOT AVAILABLE)

Drawing No.	Code No.	Description	Specification	QTY	Un	SA/SNA
0	DC90-06242A	ASSY TUB&DRUM	S-AM BUBBLE,WF1602WUV	1	PC	SNA
1	6049-001182	ASSY CLAMP DIAPHRAGM	S-AM PJT,8010380,wire spring SM zink coated	1	PC	SA
2	DC31-00002Z	MOTOR UNIVERSAL-DRUM	Gj-2UA009A,1400,220-240,2.5A,50,430 W,SAM,16800,2.1A,F,60	1	PC	SA
3	DC47-00034A	HEATER-WASH	S-AM ,SUS316L,2000,8.69,230V,26.515 ,8.5mm,200mm,Double Fuse (167C, Cut Off Time 70+-20s)	1	PC	SA
4	DC61-02810A	BRACKET-HEATER	WF0602NXW,STAINLESS-STS430,T0.6,W80,W25.5,S-AM PJT	1	PC	SA
5	DC62-00306B	SEAL-OIL	S-AM,EPDM,BLK,W11,H52	1	PC	SA
6	DC63-01224A	COVER-HEATER	S-AM ,ABS,T2.5,W91.4,L46.3,VE0858,W HT,RAL 9003	1	PC	SA
7	DC64-02402A	DOOR-DIAPHRAGM	S-AM,EPDM,T2.5,H78,w396,l396,GRY	1	PC	SA
8	DC65-00030A	WEIGHT-BALANCER(L)	8037282	1	PC	SA
9	DC65-00031A	WEIGHT-BALANCER(R)	8037281	1	PC	SA
10	DC66-00626A	DAMPER-PIN	8037285,SAM-PJT,STEEL+PP+RUBBER,L155	3	PC	SA
11	DC66-00627A	DAMPER-SHOCK(R)	8029508, SAM-PJT,STEEL+PP+RUBBER,L260	2	PC	SA
12	DC66-00628A	DAMPER-SHOCK(L)	8029504,STEEL+PP+RUBBER,L260	1	PC	SA
13	DC66-00629A	BELT-TIMING GEAR	731737	1	PC	SNA
13-1	DC66-00630A	BELT-TIMING GEAR	8010387,EPDM,T3.3,BLK	1	PC	SA
14	DC67-00521A	WEIGHT-BALANCER(U)	8037283, SAM-PJT,CONCRETE,W302,L228	1	PC	SA
15	DC93-00189A	PULLEY MOTOR	SAM-PJT/8017632	1	PC	SA
16	DC97-16138E	ASSY DRUM	S-AM BUBBLE PJT,WF1602WUV,D492x H411,1200RPM,T0.4	1	PC	SA
16-1	DC60-00086A	BOLT-HEX	SAM-PJT,STS430,L24	3	PC	SNA
16-2	DC60-00089A	FLANGE-SHAFT	8036489	1	PC	SNA
16-3	DC66-00613C	DRUM-WRAPPER	WF0602NXW,STAINLESS-STS430,L1526.6,T0.4/ 6KG/ S-AM PJT	1	PC	SNA
16-4	DC66-00617A	DRUM-FRONT	9010470,STAINLESS-STS430,OD502,T0.5	1	PC	SNA
16-5	DC66-00618A	DRUM-BACK	9010471,STAINLESS-STS430,OD502,T0.5	1	PC	SNA
16-6	DC66-00619A	DRUM-LIFTER	8010429,PP,L178.5,T3,W48.2	3	PC	SA
17	DC97-16221B	ASSY TUB FRONT	S-AM BUBBLE PJT,WF1602WUV,FRPP	1	PC	SA
18	DC97-16266B	ASSY-PRESSURE TUB	S-AM PJT,WF0602,EPDM	1	PC	SA
18-1	DC67-00511B	HOSE-PRESSURE	WF0602,EPDM,ID4.5,OD8,T1.75,NTR	1	PC	SA
18-2	DC72-00092A	CLIP-RING	8012488,HSWR,T3.5	1	PC	SA
18-3	DC72-00094A	ABSORBER SPONGE	8015613/S-AM,PU-FOAM,T15,D40	2	PC	SNA
19	DC97-16344A	ASSY TUB-SUB	S-AM PJT,WF0602NXW/XEO	1	PC	SA
19-1	DC66-00622A	DAMPER-RUBBER(A)	SAM-PJT,CR RUBBER,T21,W34,H42,hardness50,GRY,8029480	2	PC	SA
19-2	DC66-00624A	DAMPER-RUBBER(C)	SAM-PJT,CR RUBBER,T21,W34,L42,hardness73,BLK,8029496	1	PC	SA
19-3	DC97-16223A	ASSY SEMI TUB BACK-732038	1142420,S-AM-PJT/732038,FRPP(FRPP30%)	1	PC	SNA

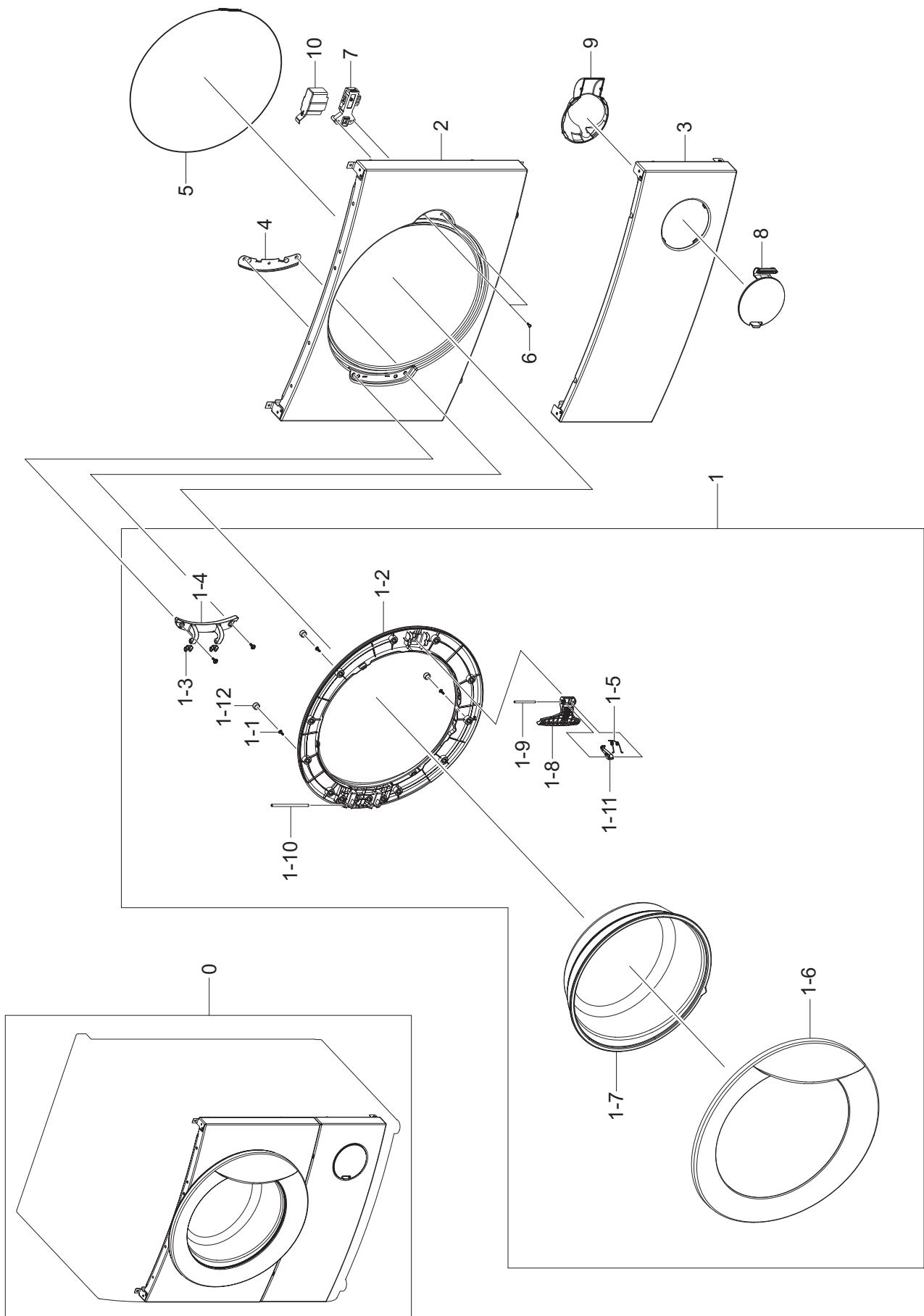
MODEL CODE: WF1602WUV/XEO

Service Bom (SA: SERVICE AVAILABLE, SNA: SERVICE NOT AVAILABLE)

Drawing No.	Code No.	Description	Specification	QTY	Un	SA/SNA
20	6002-001506	SCREW-TAPPING	BH,+,NO,2,M4,L13,STS304,8013153	2	PC	SA
20	6002-001506	SCREW-TAPPING	BH,+,NO,2,M4,L13,STS304,8013153	3	PC	SA
21	6002-001509	SCREW-TAPPING	HWH,-,WP,2,M6,L25,STS304,8022016, SAM-PJT	2	PC	SA
22	6011-003873	BOLT-HEX	OD12.5,L30,SWRCH10A	4	PC	SA
23	6021-001460	NUT-ETC	8010613	1	PC	SA
24	DC60-00088A	BOLT-HEX	8022017,SAM-PJT,St3 /FeZn5,pad D45 / pad T3.2,L35	1	PC	SA
25	DC97-16233B	ASSY HOSE DRAWER TUB	S-AM,WF0602,BLACK	1	PC	SA
25-1	DC67-00504A	HOSE-DRAWER	8010537	1	PC	SNA
25-2	DC72-00001G	CLIP-RING	HEBA-PJT,HSWR,PI3.0,ID49.5,W21.5,W HT,HOSE-DRAWER + TUB-FRONT	2	PC	SA
26	DC97-16235A	ASSY HOSE-FILTER TUB,705813	1143305,AMICA-PJT,705813	1	PC	SA
26-1	DC67-00506A	HOSE-FILTER TUB	8010536,EPDM,BLK	1	PC	SA
26-2	DC72-00088A	CLIP-RING	8019252/SAM-PJT,HSWR,T3	1	PC	SA
26-3	DC72-00089A	CLIP-RING	8013908,HSWR,T3	1	PC	SA
27	DC97-16676A	ASSY HOSE-CIRCULATION	S-AM BUBBLE PJT,WF1602WUV,EPDM, L365,OD14.5,BLACK	1	PC	SNA
27-1	DC61-00158A	CLAMPER HOSE	SW65ASP,SK5,ID23,T0.8/YEL	2	PC	SNA
27-2	DC62-00296A	SEAL-CONNECTOR	WF0804Y8E,EPDM,W9.5,L45.3,SCOUT- PJT	1	PC	SA
27-3	DC67-00471D	HOSE-CIRCULATION	S-AM BUBBLE PJT,EPDM,ID9.0,OD14.5,L415,BLK,S- AM BUBBLE	1	PC	SA
27-4	DC67-00588A	HOSE-CONNECTOR	WF1602WUV/XEO,FRPP-GF15,NTR,S- AM BUBBLE PJT	1	PC	SA
27-5	DC67-00589A	HOSE-AIR TUB	WF1602WUV/XEO,EPDM,ID 3.0,OD 14.5,BLK,S-AM BUBBLE PJT	1	PC	SA
27-6	DC72-00093A	CLIP-RING	8018311,HSWR,T1.8	2	PC	SA
28	DC66-00620A	BEARING-BALL	8013403,T14,ID20,OD47	1	PC	SA
29	DC66-00621A	BEARING-BALL	8013404	1	PC	SA

MEMO

5-4. ASS'Y FRAME FRONT & DOOR

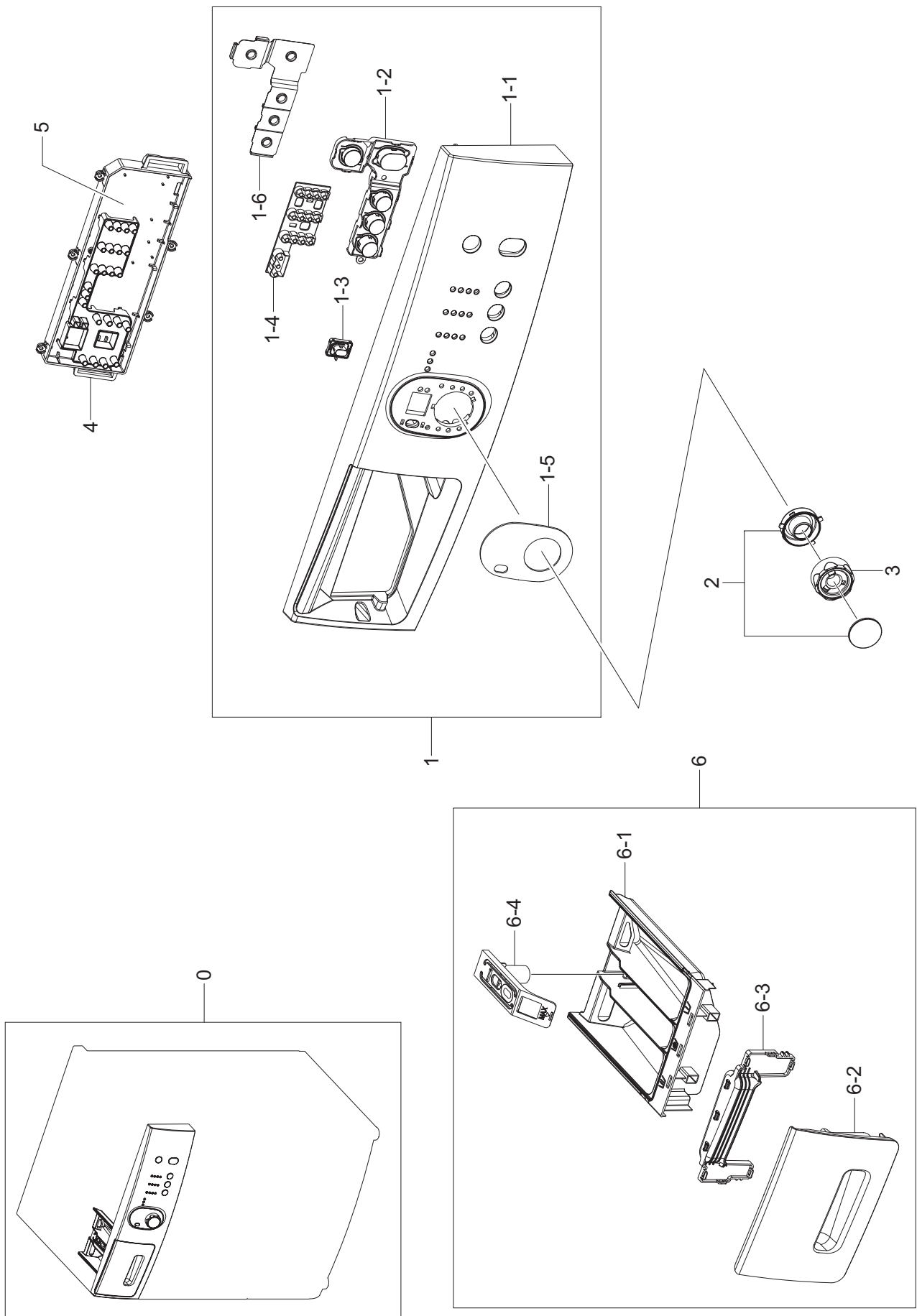


MODEL CODE: WF1602WUV/XEO

Service Bom (SA: SERVICE AVAILABLE, SNA: SERVICE NOT AVAILABLE)

Drawing No.	Code No.	Description	Specification	QTY	Un	SA/SNA
0		ASSY FRAME FRONT & DOOR		1		
1	DC97-16135B	ASSY DOOR	S-AM PJT,WF0502NUV,OD450,SILVER SPRAY	1	PC	SA
1-1	6002-001500	SCREW-TAPPING	8010423	13	PC	SA
1-2	DC61-02802B	HOLDER-GLASS	WF0502NUV,PP,T2.8,W449,L449,GRAY ,S-AM PJT	1	PC	SA
1-3	DC61-02803A	GUIDE-HINGE	WF0602NXW,POM,T1.5,W14.5,L12.8,N TR,S-AM	2	PC	SA
1-4	DC61-02812A	HINGE-DOOR	WF0602NXW,ALDC,T8.8,W155.5,L48.9, SILVER,S-AM PJT	1	PC	SA
1-5	DC61-02858A	SPRING ETC-LEVER	SAM-PJT,HSWR,T1.4	1	PC	SA
1-6	DC63-01225B	COVER-DOOR	WF0502NUV,ABS,T2.8,W450,L450,SILVER SPRAY,S-AM PJT	1	PC	SA
1-7	DC64-02428A	DOOR GLASS	8030889 / SAM-PJT,NON-HeatTreatment GLASS,T5,OD343	1	PC	SA
1-8	DC64-02430A	HANDLE-DOOR	8030961/SAM-PJT,ABS,T2.5,L66.2,H100.5,WHT	1	PC	SA
1-9	DC64-02431A	HANDLE-PIN	8030949/SAM-PJT,STS,L54,OD4,NTR,FUNCTION	1	PC	SA
1-10	DC64-02520A	HANDLE-PIN	S-AM,STS,OD 5,L95,NTR,FUNCTION	1	PC	SA
1-11	DC66-00615A	LEVER DOOR	8030962,POM	1	PC	SA
1-12	DC67-00530A	CAP-SCREW	WF0602,SILICONE,GRAY,H/NESS 45/S-AM PJT	2	PC	SA
2	DC97-16254A	ASSY FRAME FRONT-9005391	1142420,SAM-PJT/9005391,colaminate FE	1	PC	SA
3	DC97-16250A	ASSY FRAME FRONT-(L)	9005392,COLAMINAT FePO4	1	PC	SA
4	DC61-02809A	BRACKET-HINGE	WF0602NXW,GI-SGCC,T0.6,W39.2,L149.4,S-AM PJT	1	PC	SA
5	DC39-00042A	WIRE-DIAPHRAGM	8010379/SAM-PJT,NTR,15g	1	PC	SA
6	6002-001503	SCREW-TAPPING	8013151	2	PC	SA
7	DC64-01538C	DOOR-LOCK S/W	ZV-446L9,NYLON,T19.5,W95.3,BLK,WH T,250V/16A	1	PC	SA
8	DC63-01213A	COVER-FILTER	WF-A602NBS,ABS,T3.0,OD109,L123,W HITE,AMICA-PJT	1	PC	SA
9	DC61-02772B	GUIDE-FILTER	WF1602WUV// XEO,ABS,T2.0,H110,L142.5,WHITE,S-AM BUBBLE PJT	1	PC	SA
10	DC63-01223A	COVER-DOOR SWITCH	S-AM/ WF-A602NBS,ABS,T2.0,W27,L49.6,766/ V0,WHT,RAL 9003	1	PC	SA

5-5. PANEL CONTROL & DRAWER

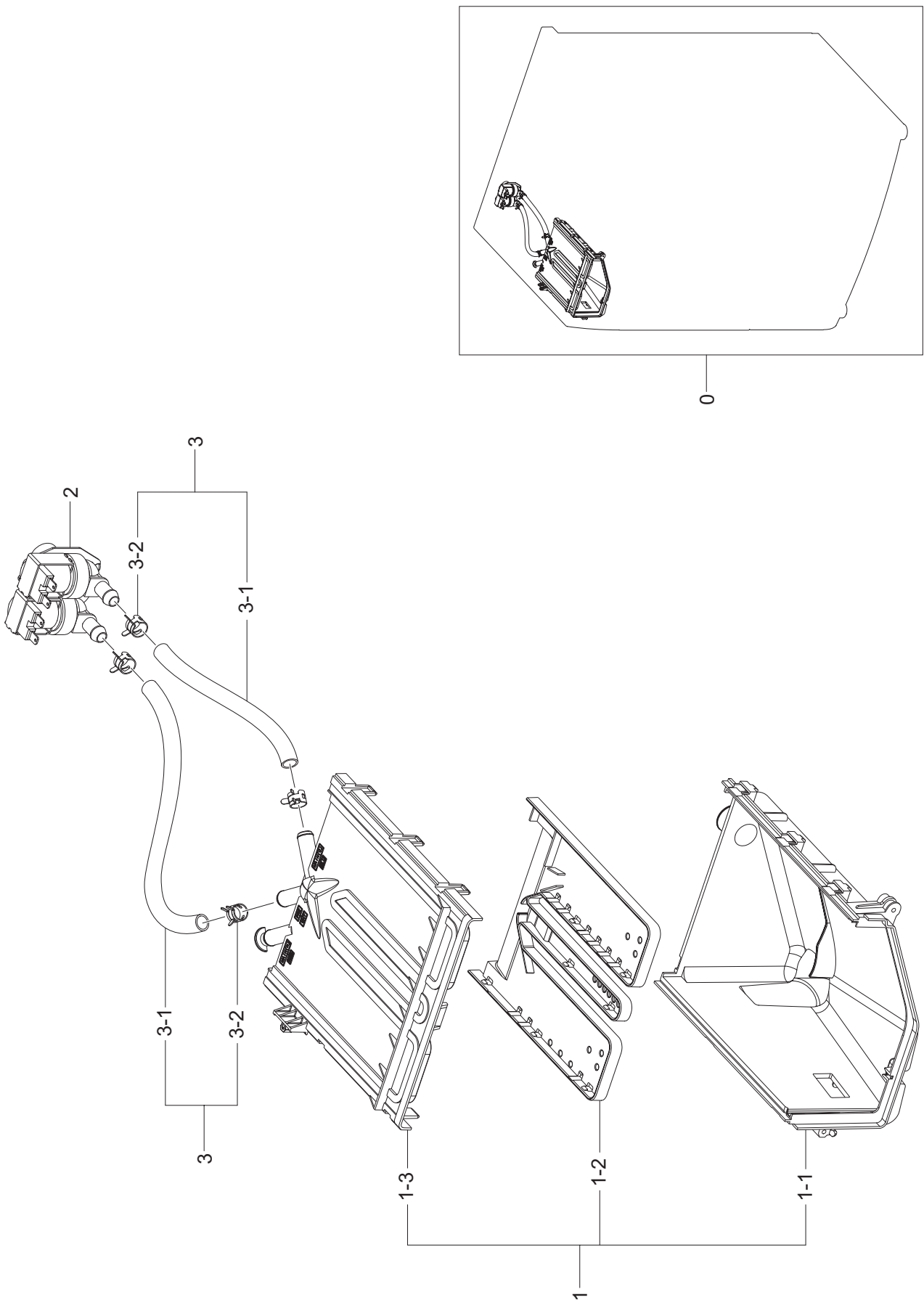


MODEL CODE: WF1602WUV/XEO

Service Bom (SA: SERVICE AVAILABLE, SNA: SERVICE NOT AVAILABLE)

Drawing No.	Code No.	Description	Specification	QTY	Un	SA/SNA
0		PANEL-CONTROL & DRAWER		1		
1	DC97-16352E	ASSY PANEL CONTROL	S-AM,WF1602WUV/XEO,GOOD,WHITE	1	PC	SA
1-1	DC64-02385A	PANEL-CONTROL	S-AM,ABS,T3.0,W162.9,L595,WHITE	1	PC	SNA
1-2	DC64-02395A	BUTTON-PUSH(F)	S-AM,ABS,NTR,FUNCTION	1	PC	SNA
1-3	DC64-02396A	BUTTON-PUSH(D)	S-AMICA,ABS,D26,NTR	1	PC	SNA
1-4	DC64-02399A	DECORATION-LED	S-AM,PMMA,T2.0,TRP	1	PC	SNA
1-5	DC64-02476B	INLAY-ENCODER	WF1602WUV,PC,T0.5,W69.2,L106.1,BLK,S-AM BUBBLE PJT	1	PC	SNA
1-6	DC64-02485A	BUTTON-RUBBER	S-AM / WF0602,SILICON,NTR,BUTTON(F)	1	PC	SNA
2	DC97-16656A	ASSY DECO ENCODER	S-AM BUBBLE PJT,WF1602WUV,37.5,PC+Tape	1	PC	SA
3	DC64-02398B	KNOB-ENCODER	WF1602WUV,ABS,T2.0,W45,L45,BLK,S-AM BUBBLE PJT	1	PC	SA
4	DC92-00365C	ASSY PCB MAIN	AMICA,WF05,WF06,5KG,6KG,1200,1400RPM	1	PC	SA
5	DC92-00518T	ASSY PCB SUB	S-AM, WF0602,6KG,230V/50Hz,JOGBUBBLE,Y,SMPS	1	PC	SA
6	DC97-16137A	ASSY DRAWER	S-AM PJT,WF0602NXW,PP+ABS,NON Ag+	1	PC	SA
6-1	DC61-02804A	BODY-DRAWER	WF0602NXW,PP,T1.8,L213,W164,WHT,TB53/W520/ S-AM PJT	1	PC	SA
6-2	DC64-02392A	PANEL-DRAWER	WF0602NXW,ABS,T2.8,W195.6,L130,WHT,S-AM PJT	1	PC	SA
6-3	DC64-02393A	HANDLE-DRAWER	WF0602NXW,ABS,T2.6,W172,L72.4,N,WHT,S-AM PJT	1	PC	SA
6-4	DC67-00493A	CAP-RINSE	WF0602NXW,PP,T2.0,W33.3,L116.3,SOAP BLUE,S-AM	1	PC	SA

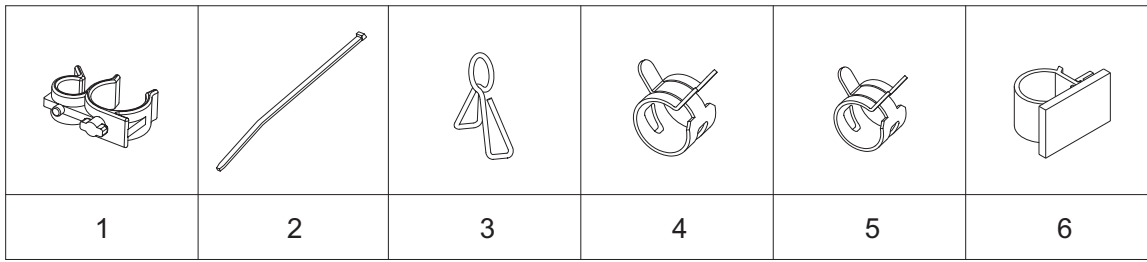
5-6. ASS'Y HOUSING DRAWER & WATER VALVE



MODEL CODE: WF1602WUV/XEOService Bom (**SA**: SERVICE AVAILABLE, **SNA**: SERVICE NOT AVAILABLE)

Drawing No.	Code No.	Description	Specification	QTY	Un	SA/SNA
0		ASSY HOUSING DRAWER & WATER VALVE		1		
1	DC97-16136A	ASSY HOUSING DRAWER	S-AM PJT,WF0602NXW,PP,Non-Ag+	1	PC	SA
1-1	DC61-02805A	HOUSING-DRAWER(L)	WF0602NXW,PP,T1.8,W194,L219.8,W HT,S-AM	1	PC	SNA
1-2	DC61-02806A	HOUSING-DRAWER(M)	WF0602NXW,PP,T1.8,W146.2,L184.7,W HT,S-AM	1	PC	SNA
1-3	DC61-02807A	HOUSING-DRAWER(U)	WF0602NXW,PP,T1.8,W184.3,L230,W HT,S-AM	1	PC	SNA
2	DC62-30312L	VALVE-WATER	S-Am PJT,NYLON #6,mm,1~8 Kg/cm ² ,NTR,220-240V,50/60Hz,4.5Kohm,2 WAY(COLD,BLEACH)	1	PC	SA
3	DC97-16234A	ASSY HOSE DRAWER	705799	1	PC	SA
3-1	DC67-00505A	HOSE-DRAWER	8010352,EPDM,BLK	2	PC	SA
3-2	DC72-00087A	CLIP-RING	8012818	4	PC	SA

5-7. SMALL PARTS



MODEL CODE: WF1602WUV/XEO

Service Bom (SA: SERVICE AVAILABLE, SNA: SERVICE NOT AVAILABLE)

Drawing No.	Code No.	Description	Specification	Install. Point	QTY	Un	SA/SNA
1	DC61-00118A	CLAMPER HOSE-FIX	P1291,NYLON66,ID27,OD30	ASSY CASE	1	PC	SA
2	DC64-02427A	CABLE TIE	8015046	GUIDE-PCB(M)	1	PC	SA
3	DC61-70029B	SPRING-CLIP	SEW-6HW111,HSWR67(TS), CD1.2,ID7.0,OD9.4,-,1,-,-,-,-	PRESSURE HOSE	1	PC	SA
4	DC61-00158A	CLAMPER HOSE	SW65ASP,SK5,ID23,T0.8/ YEL	HOSE-AIR TUB	2	PC	SNA
4	DC61-00158A	CLAMPER HOSE	SW65ASP,SK5,ID23,T0.8/ YEL	HOSE-AIR	1	PC	SNA
5	DC61-01679B	CLAMPER HOSE	SEW-HFR167AR,SK5,-,T1.0/ ID20.7/OD22.7,NTR,-	HOSE-DRAWER TUB	1	PC	SA
6	DC61-00882A	HOLDER-D.WIRE	-,NYLON66,-,-,-,NTR,TT-PJT	ASSY CASE	1	PC	SA

5-8. PARTS LIST (SA/SC OTHER)

MODEL CODE: WF1602WUV/XEO

Service Bom (SA: SERVICE AVAILABLE, SNA: SERVICE NOT AVAILABLE)

Code No.	Description	Specification	Install. Point	QTY	Un	SA/ SNA
6002-000470	SCREW-TAPPING	TH,+,NO,1,M4,L10,ZPC(WHT),SWRCH18A	BKT-FIXER+FRAME	4	PC	SA
6002-001496	SCREW-TAPPING	CH,+,NO,2S,M4,L16,ZPC(WHT),SWRCH18A,8 013152,SAM-PJT	BASE+FRAME	2	PC	SA
6002-001497	SCREW-TAPPING	8018065	BKT-F/EMI+FRAME	2	PC	SA
6002-001498	SCREW-TAPPING	8012992	C/PANEL+H/DRAWER(L)	2	PC	SA
6002-001499	SCREW-TAPPING	TH,+,NO,1,M4.2,L13,ZPC(WHT),SWRCH18A,8 013150,SAM-PJT	H/CONNECTOR+TUB/F	2	PC	SA
6002-001499	SCREW-TAPPING	TH,+,NO,1,M4.2,L13,ZPC(WHT),SWRCH18A,8 013150,SAM-PJT	P/CONTROL+PCB(S)	4	PC	SA
6002-001499	SCREW-TAPPING	TH,+,NO,1,M4.2,L13,ZPC(WHT),SWRCH18A,8 013150,SAM-PJT	C/HOSE FIX+FRAME	1	PC	SA
6002-001499	SCREW-TAPPING	TH,+,NO,1,M4.2,L13,ZPC(WHT),SWRCH18A,8 013150,SAM-PJT	F/FRONT+FRAME	4	PC	SA
6002-001499	SCREW-TAPPING	TH,+,NO,1,M4.2,L13,ZPC(WHT),SWRCH18A,8 013150,SAM-PJT	P/CONTROL+FRAME	2	PC	SA
6002-001499	SCREW-TAPPING	TH,+,NO,1,M4.2,L13,ZPC(WHT),SWRCH18A,8 013150,SAM-PJT	PCB(M)+FRAME	1	PC	SA
6002-001501	SCREW-TAPPING	TH,+,NO,1,M3.9,L9.5,ZPC(WHT),SWRCH18A,8 021940,SAM-PJT,SERRATED	TOP-COVER+FRAME	2	PC	SA
6002-001502	SCREW-TAPPING	BH,+,NO,1,M4,L5,ZPC(WHT),STS304,801747 3,SAM-PJT	W/VALVE+FRAME	2	PC	SA
6002-001503	SCREW-TAPPING	8013151	CASE-PUMP+BASE	1	PC	SA
6002-001503	SCREW-TAPPING	8013151	F/FRONT(L)+BASE	2	PC	SA
6002-001503	SCREW-TAPPING	8013151	F/FRONT+D/HINGE	2	PC	SA
6002-001507	SCREW-TAPPING	HWH,-,NO,2,M6,L25,STS304,8010616	TUB-BACK+TUB-FRONT	11	PC	SA
6003-001768	SCREW-TAPTYPE	TH,+,WT,S,M4,L10,ZPC(WHT),SWRCH18A	BKT-F/EMI+EARTH(P)	1	PC	SA
6003-001768	SCREW-TAPTYPE	TH,+,WT,S,M4,L10,ZPC(WHT),SWRCH18A	BKT-F/EMI+EARTH(W)	1	PC	SA
6011-003984	BOLT-HEX	SQUARE/M10,L35,FE/ZN5,TAPPING	ASSY-CONNECTED PARTS	2	PC	SA
6031-002055	WASHER-PLAIN	FE,ZN5,ID6.2,OD11.7,T1.5	HEAETR+COVER HEATER	1	PC	SA
DC60-00083A	BUSH-HOSE	FRPP,ID14,OD20.2,L34,8013725	ASSY CASE	1	PC	SA
DC62-00302A	GUIDE-SPRING	POM,OD12.3 / ID4.2,H5.6,WHT,8010521 / SAM-PJT	FRAME	1	PC	SA
DC63-01238A	CAP-GUIDE FRAME FRONT	POM,OD13.5,H19,8013103/SAM-PJT	ASSY CASE	6	PC	SA
DC65-60118J	CLIP-RING	HSWR,WHT,PI2.0/ID23	HOSE-AIR+H/ DRAWER(L)	1	PC	SA
DC66-10003B	WIRE-VINYL	SEW-100JL,PVC,T2.0*L150	HEATER WIRE+TUB	1	PC	SA
DC66-10003B	WIRE-VINYL	SEW-100JL,PVC,T2.0*L150	MOTOR WIRE+TUB	2	PC	SA
DC66-10003B	WIRE-VINYL	SEW-100JL,PVC,T2.0*L150	WIRE+TUB	2	PC	SA
DC67-00498A	HOSE-AIR	S-AM PJT/ WF0602NXW,EPDM,ID12.0,OD17.0 ,T2.5,L202,BLK,6KG/ S-AM	ASSY CASE	1	PC	SA
DC68-02966A	MANUAL-BOOK	WF1602WUV,XEO,POLISH,POLAND,60MOJO ,W147,L208	ASSY CASE	1	PC	SA
DC72-00095B	ABSORBER SPONGE	PU-FOAM,T10,W50,L40	FRAME RIGHT INSIDE	1	PC	SA
DC84-01001A	ASSY- GREASE,731616	AMICA-PJT,731616	TUB BACK	1	PC	SA

5-9. PARTS LIST (SCREW TYPE)

MODEL CODE: WF1602WUV/XEO

Service Bom (SA: SERVICE AVAILABLE, SNA: SERVICE NOT AVAILABLE)

Code No.	Description	Specification	QTY	Un	SA/SNA
6002-000470	SCREW-TAPPING	TH,+,NO,1,M4,L10,ZPC(WHT),SWRCH18A	4	PC	SA
6002-001494	SCREW-TAPPING	8018416	2	PC	SNA
6002-001495	SCREW-TAPPING	8016001	1	PC	SNA
6002-001496	SCREW-TAPPING	CH,+,NO,2S,M4,L16,ZPC(WHT),SWRCH18A,8013152,SAM-PJT	2	PC	SA
6002-001497	SCREW-TAPPING	8018065	2	PC	SA
6002-001498	SCREW-TAPPING	8012992	8	PC	SA
6002-001499	SCREW-TAPPING	TH,+,NO,1,M4.2,L13,ZPC(WHT),SWRCH18A,8013150,SAM-PJT	16	PC	SA
6002-001500	SCREW-TAPPING	8010423	13	PC	SA
6002-001501	SCREW-TAPPING	TH,+,NO,1,M3.9,L9.5,ZPC(WHT),SWRCH18A,8021940,SAM-PJT,SERRATED	2	PC	SA
6002-001502	SCREW-TAPPING	BH,+,NO,1,M4,L5,ZPC(WHT),STS304,8017473,SAM-PJT	2	PC	SA
6002-001503	SCREW-TAPPING	8013151	7	PC	SA
6002-001506	SCREW-TAPPING	BH,+,NO,2,M4,L13,STS304,8013153	5	PC	SA
6002-001507	SCREW-TAPPING	HWH,-,NO,2,M6,L25,STS304,8010616	11	PC	SA
6002-001509	SCREW-TAPPING	HWH,-,WP,2,M6,L25,STS304,8022016,SAM-PJT	2	PC	SA
6003-001768	SCREW-TAPTYPE	TH,+,WT,S,M4,L10,ZPC(WHT),SWRCH18A	2	PC	SA