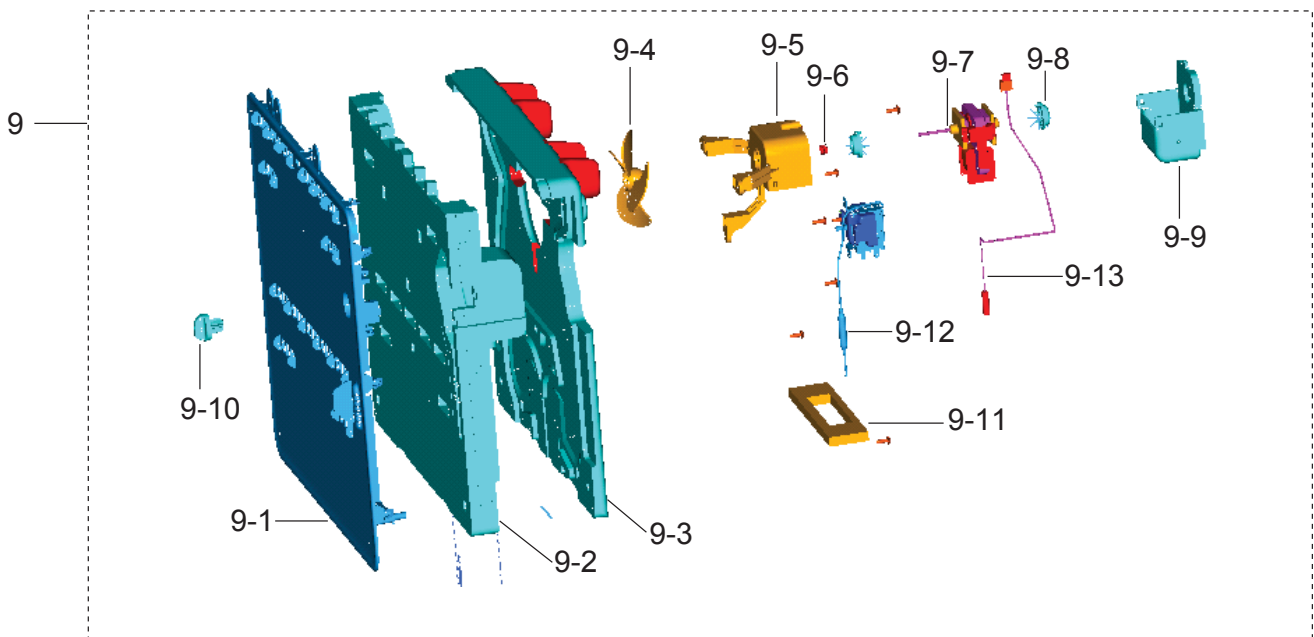
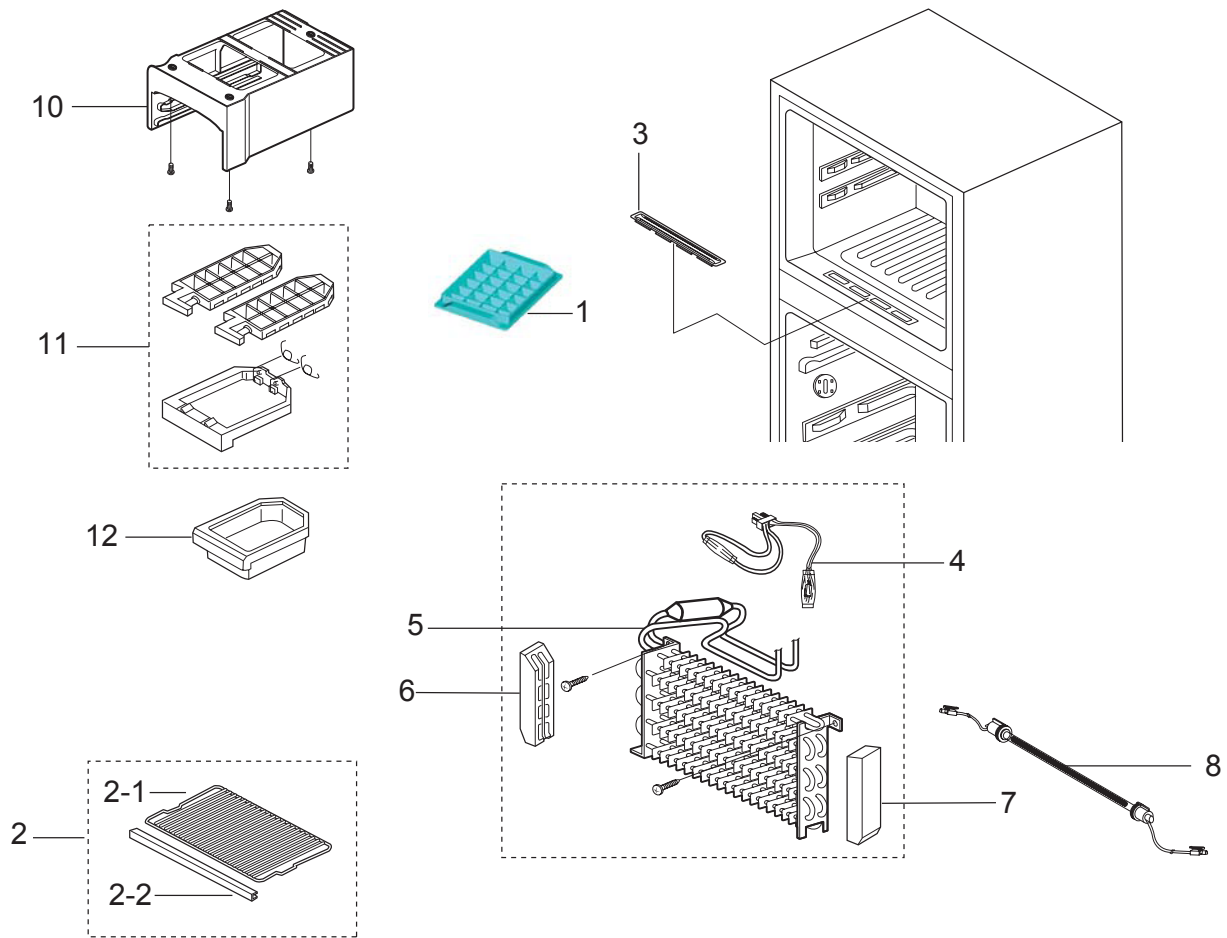


Freezing compartment



PART LIST OF FREEZER

RT37GBSW1/GAR

No.	Lev.	Loc.	Code No.	Description	Specification	Q'ty	Unit	SA/SNA
2	..2		DA67-01355D	ASSY SHELF WIRE	TGV2,RT37	1	PC	SNA
2-1	...3		DA67-00679G	SHELF WIRE-FRE	TGV2,MSWR10,2.0	1	PC	SNA
2-2	...3		DA64-00588A	TRIM-SHELF FRE	TT-PJT,ABS,-,-,440,-,SH-0	1	PC	SNA
3	..2	Z1183	DA63-04245A	COVER-COLD AIR	TGV2,PP,-,W358,L49,-,-,CO	1	PC	SA
4	...3	M0020	DA47-10150E	THERMO BIMETAL	SR-43,47,-,125V/250V,-,-,-	1	PC	SA
5	...3	M0009	DA59-00262E	EVAP	TGV2-PJT,PIN,-,DELETE PLATE-EVAP,	1	PC	SA
6	...3	Z2036	DA62-00268A	INSULATION-SIDE EVAP,L	TT-PJT,FOAM-PS,-,	1	PC	SNA
7	...3	Z2037	DA62-00269A	INSULATION-SIDE EVAP,R	TT-PJT,FOAM-PS,-,	1	PC	SNA
8	..2	M0014	DA47-00109E	HEATER DEFROST-GLASS	-,TSE,GLASS H/T,-,-	1	PC	SA
9	..2	Z1020	DA97-06371P	ASSY COVER EVAP	TGV2,Mechanics	1	PC	SNA
9-1	...3	A0665	DA63-04235A	COVER EVAP-FRONT	TGV2-PJT,PP,-,-,-,-,-,-,C	1	PC	SNA
9-2	...3		DA62-01817A	INSULATION EVAP-REAR	TGV2-PJT,FOAM-PS,-,	1	PC	SNA
9-3	...3		DA62-01816A	INSULATION EVAP-FRONT	TGV2-PJT,FOAM-PS,-	1	PC	SNA
9-4	...3	M0159	DA31-00124A	FAN-AX100W4CC-T1	-,TD-PJT,ABS,-,-	1	PC	SA
9-5	...3	Z1144	DA63-11051B	COVER-FAN MOTOR	TSE-PJT	1	PC	SA
9-6	...3	A0768	DA61-20149A	SPRING ETC-FAN	N-PJT,STS27WR,-,-,OD1.0,-	1	PC	SA
9-7	...3	A0757	DA31-10109J	MOTOR FAN	ORM-1176P3,AMITA R-PJT,50Hz,60	1	PC	SC
9-8	...3	Z1145	DA63-40289A	GROMMET-FAN MOTOR	N-PJT,NBR,-,-,-,-,-,-,-,-	2	PC	SA
9-9	...3	Z1147	DA71-50233B	BRACKET-MOTOR	TSE-PJT	1	PC	SA
9-10	...3	Z1146	DA64-01542A	KNOB-F THERMO	RT21/24,PP,-,-,-,-,-,-,-,-	1	PC	SA
9-11	...3		DA62-01854B	SEAL EVAP-BOTTOM	TGV2-PJT,OJC-3000,WHITE	1	PC	SNA
9-12	...3	A0576	DA47-10107Z	THERMO F	TGV2,-,110~240V,-,-,-16.5 ± 2.0,-	1	PC	SA
9-13	...3	A0903	DA39-20410B	WIRE HARNESS-THERMO	TGV 2,-,-,-,-,-,-,-,-,-,-	1	PC	SA
10	..2	A0121	DA67-40328D	TRAY ICE CUBE	N-PJT,PP,-,-,-,-,-,NATURAL,-	1	PC	SA
11	..2	M0050	DA67-00449D	ASSY CASE-TRAY ICE	BALLY2/N-PJT,-,-,-,-,CO	1	PC	SA
12	..2	A0715	DA61-00740A	SUPPORT-TRAY ICE	TT-PJT(T30~37),HIPS,-,-,-	1	PC	SA