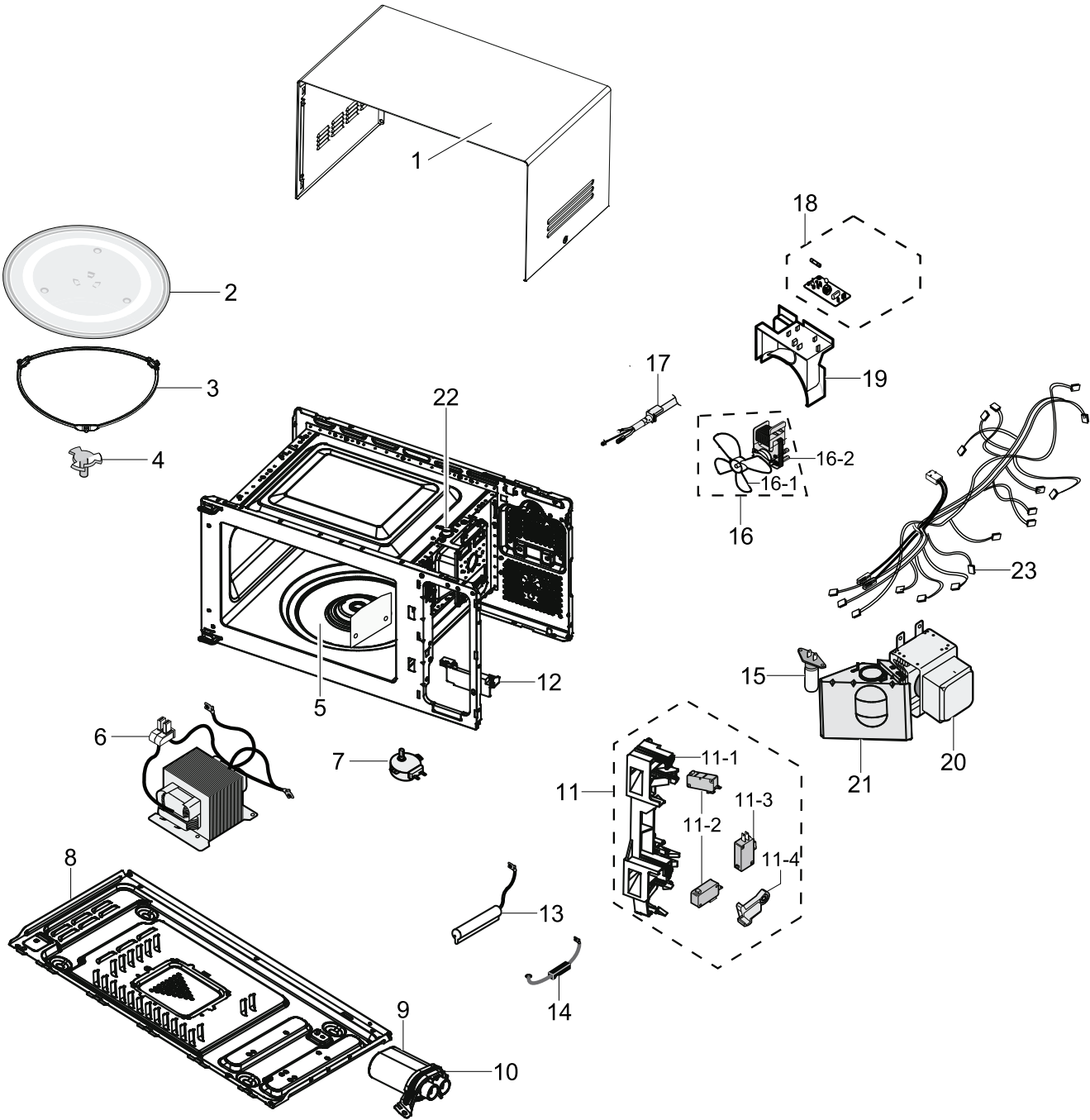


1. Main

Exploded View



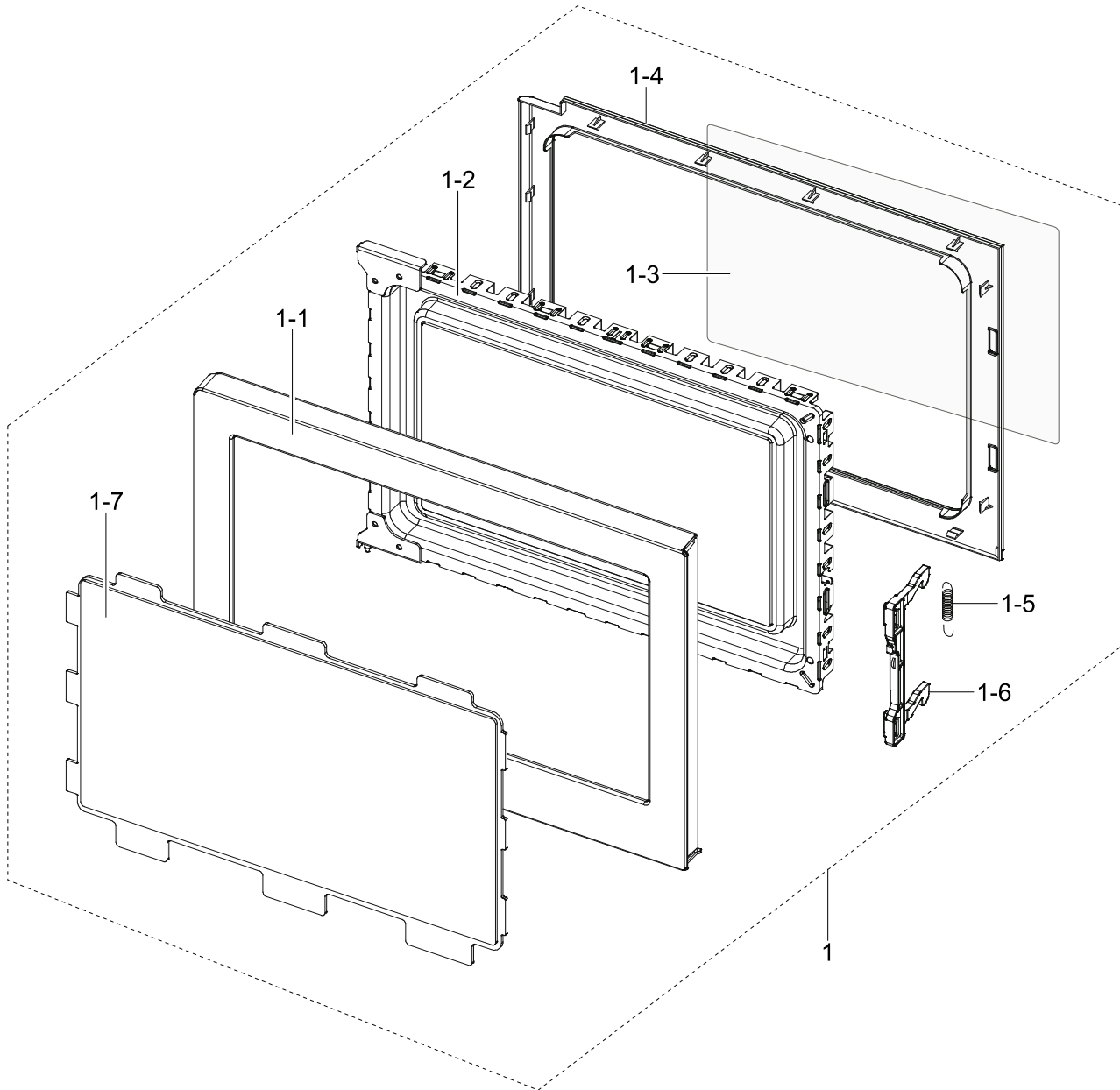
Parts List

No.	Parent	Lvl.	Loc.	Material Code	Description & Specification	SNA	Qty.
1	ME731K/XEC	1	M001	DE64-02356B	PANEL-OUTER; 0.7ECO PLATFORM,EGI-SECC,T0.	SA	1
2	DE94-02429B	2	T001	DE74-00027A	TRAY-COOKING; NC2000,NC06,GLASS,T5,255mm,	SA	1
3	DE94-02429B	2	T165	DE94-02266D	ASSY GUIDE ROLLER; MW73BR/BWT (ECO),SPS,T	SA	1
4	DE94-02429B	2	M034	DE67-00258A	COUPLER; 0.7ECO PLATFORM,PPS,BROWN	SA	1
5	DE94-02429B	2	M051	DE63-00642C	COVER-MGT; 0.7ECO PLATFORM,PP,flamable V-	SNA	1
6	DE96-00902A	2	M038	DE26-00160A	TRANS H.V; SHV-EPT06A,230V,50Hz,2280V/3.4	SA	1
7	DE96-00901A	2	M049	DE31-10154D	MOTOR SYNCHRONOUS; SSM-16H,CMO,FREE,5/6 R	SA	1
8	DE94-02429B	2	M048	DE61-01262A	BASE-PLATE; 0.7ECO PLATFORM,GI-SGCC,T0.5	SA	1
9	DE96-00902A	2	M039	2501-001016	C-OIL; 950nF,2100V,BK,35x54x80mm,20mm	SA	1
10	DE94-02429B	2	M040	DE61-01263A	BRACKET-HVC; 0.7ECO PLATFORM,GI-SGCC,T0.6	SA	1
11	DE94-02265B	1	B022	DE94-02265B	ASSY BODY LATCH; MW73BR,ECO PLATFORM	SA	1
11-1	DE94-02265B	2	B076	DE66-00225A	LATCH-BODY(BUTTON); 0.7ECO PLATFORM,PP,WH	SA	1
11-2	DE94-02265B	2	B048	3405-001034	SWITCH-MICRO; 125/250VAC,16A,200gf,SPST-N	SA	2
11-3	DE94-02265B	2	B046	3405-001032	SWITCH-MICRO; 125/250VAC,16A,200GF,SPDT	SC	1
11-4	DE94-02265B	2	L0001	DE66-00234A	LEVER-SWITCH; CE73JD,POM,26,31.1,WHITE	SA	1
12	DE94-02429B	2	M099	DE66-00226A	LEVER DOOR; 0.7ECO PLATFORM,PP,WHITE	SA	1
13	DE96-00902A	2	M042	DE96-00831A	ASSY H.V.FUSE; MW74,THV060T-0650-SC,5KV/0	SA	1
14	DE96-00902A	2	M527	DE59-00002A	DIODE-H.V; MWO ALL,2CL4512H,-,450mA 13KV,	SC	1
15	DE96-00901A	2	M036	4713-001524	LAMP-INCANDESCENT; 230V,20W	SA	1
16	DE96-00901A	2	M020	DE96-00848A	ASSY MOTOR FAN; MW73BR,SMF-E73A,230V 50Hz	SA	1
16-1	DE96-00848A	3	H018	DE31-00063A	BLADE-FAN; 0.7ECO PLATFORM,PP,GREY	SA	1
16-2	DE96-00848A	3	M023	DE31-10184J	MOTOR FAN; SMF-E73A,230V/50Hz,2450rpm,9T	SA	1
17	ME731K/XEC	1	M015	DE96-00385D	ASSY POWER CORD; CEE,Straight,250V/6A,H05	SA	1

No.	Parent	Lvl.	Loc.	Material Code	Description & Specification	SNA	Qty.
18	DE96-00901A	2	M017	DE96-00822A	ASSY NOISE FILTER; MW73,SN-ESMA,250V 10A,	SA	1
19	DE94-02429B	2	M022	DE63-00641A	COVER-BLOWER; 0.7ECO PLATFORM,PP,WHITE	SA	1
20	DE96-00902A	2	M035	OM75S(31)ESGN	ASSY-MGT; ASSY-MGT		1
21	DE94-02429B	2	M037	DE63-00651A	COVER-AIR; 0.7ECO PLATFORM,GI-SGCC,T0.4	SA	1
22	DE96-00901A	2	M440	DE47-20008A	THERMOSTAT; -,NT-101,250V 10A/125V 15A,-,	SA	1
23	ME731K/XEC	1	W001	DE96-00823A	ASSY WIRE HARNESS; MW73B,220V50HZ,ECO PJT	SA	1

1.1. Assy Door

Exploded View



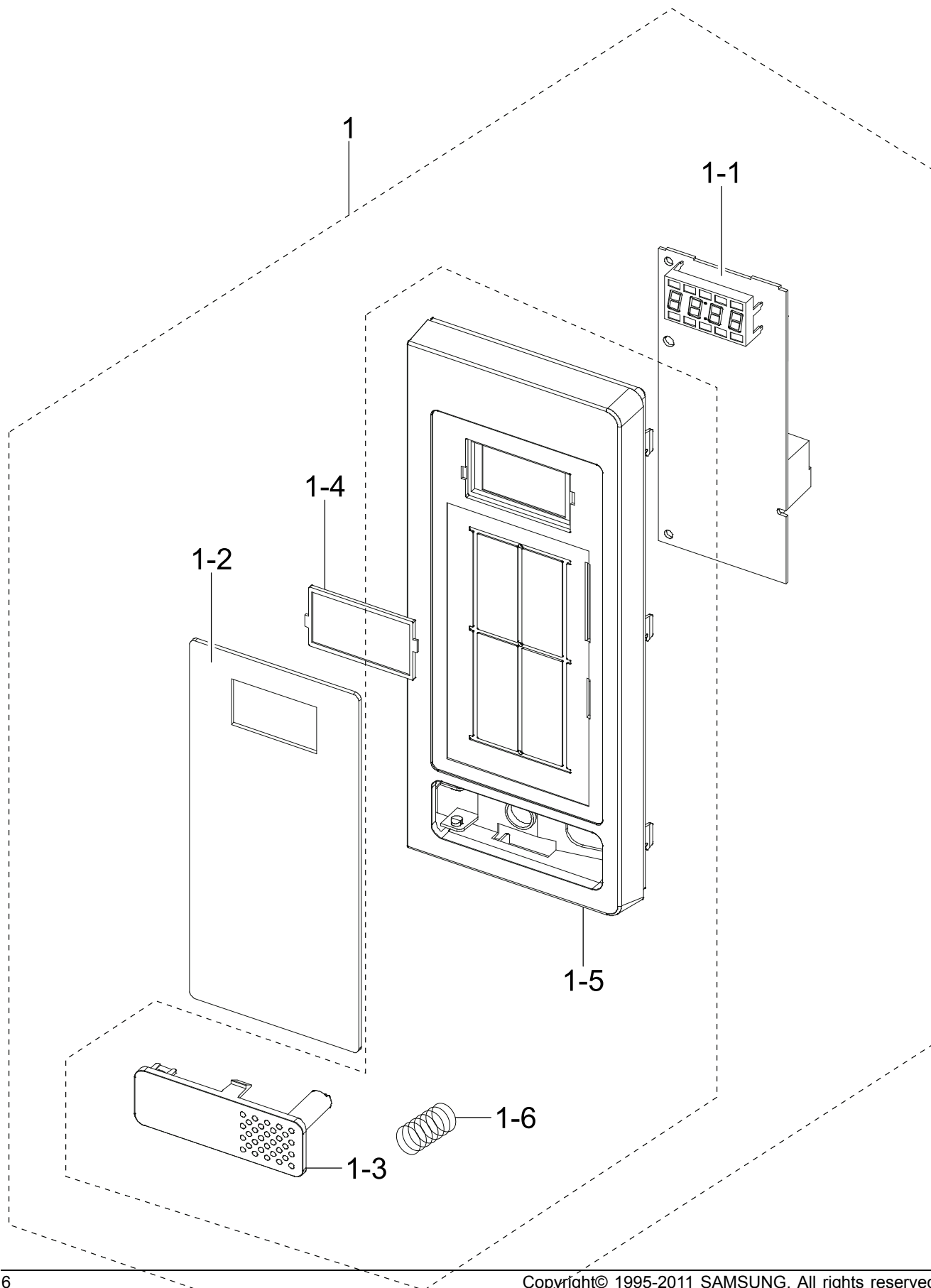
Parts List

No.	Parent	Lvl.	Loc.	Material Code	Description & Specification	SNA	Qty.
1	ME731K/XEC	1	D049	DE94-02426A	ASSY DOOR; MW731KR,WHITE,SOFT1	SA	1
1-1	DE94-02413A	3	D002	DE64-02485A	DOOR-A; MW731R,ABS,WHITE,SOFT1	SNA	1
1-2	DE94-02426A	2	D004	DE94-02262C	ASSY DOOR E-COATING; MW73B/XEF,SCP T0.4,B	SA	1
1-3	DE94-02426A	2	D005	DE64-00221B	FILM-DOOR; -,-,PET,T0.13,W264*L143,-,-,NC	SA	1

No.	Parent	Lvl.	Loc.	Material Code	Description & Specification	SNA	Qty.
1-4	DE94-02426A	2	D006	DE64-02354A	DOOR-C; 0.7ECO PLATFORM,PP,BLACK	SA	1
1-5	DE94-02426A	2	D007	DE61-00198A	SPRING-KEY; M1877,HSWR,PI0.7,D6,24 1/4,BL	SA	1
1-6	DE94-02426A	2	D011	DE64-02355A	KEY-DOOR; 0.7ECO PLATFORM,POM,BLACK	SA	1
1-7	DE94-02413A	3	D024	DE64-02483A	SCREEN-DOOR(B); MW731R,SAN,BLACK,SOFT1	SNA	1

1.2. Assy Control

Exploded View



Parts List

No.	Parent	Lvl.	Loc.	Material Code	Description & Specification	SNA	Qty.
1	ME731K/XEC	1	C082	DE94-02427H	ASSY CONTROL BOX; ME731K/XSE,230V/50HZ,WH	SA	1
1-1	DE94-02427H	2	F316	DE92-02893X	ASSY PCB MAIN; RCS-SM3L-314,MW73AR/BWT,LE	SA	1
1-2	DE94-02427H	2	C004	DE34-00382H	SWITCH MEMBRANE; ME731K/XSE,W88.3, L199.6	SA	1
1-3	DE94-02425A	3	C007	DE64-02484A	BUTTON-PUSH; MW731R,ABS,WHITE,SOFT1, MIXI	SNA	1
1-4	DE94-02427H	2	C009	DE64-01986A	WINDOW-DISPLAY; LATIN2,SAN,-,-,-,-,-	SA	1
1-5	DE94-02425A	3	C005	DE64-02481A	CONTROL-PANEL(MEMB); MW731R,ABS,WHITE,SOF	SA	1
1-6	DE94-02425A	3	R014	DE61-70076A	SPRING-BUTTON; -,HSWR,PI0.6,-,OD19,L23,5T	SA	1