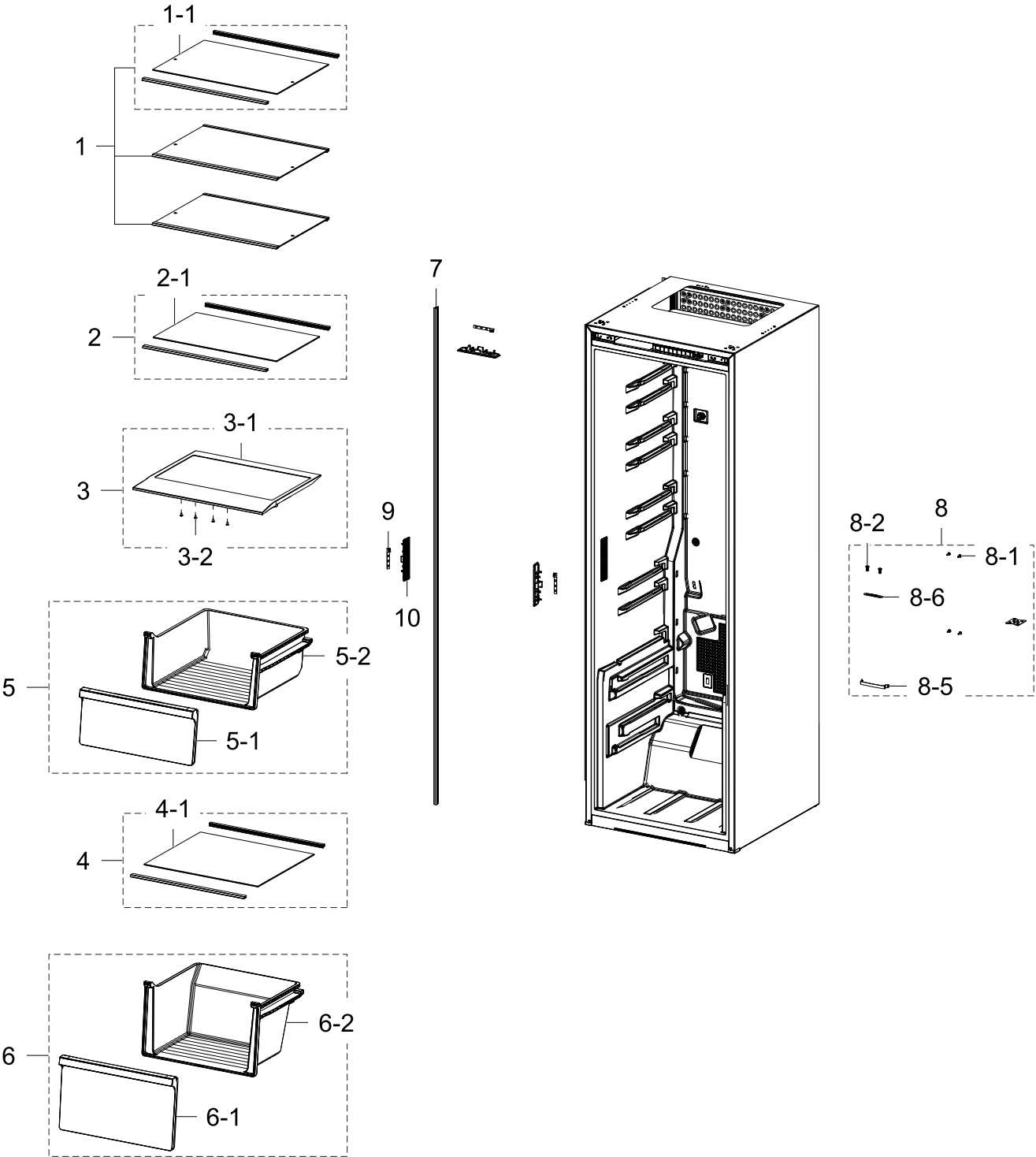


1. Fridge

Exploded View

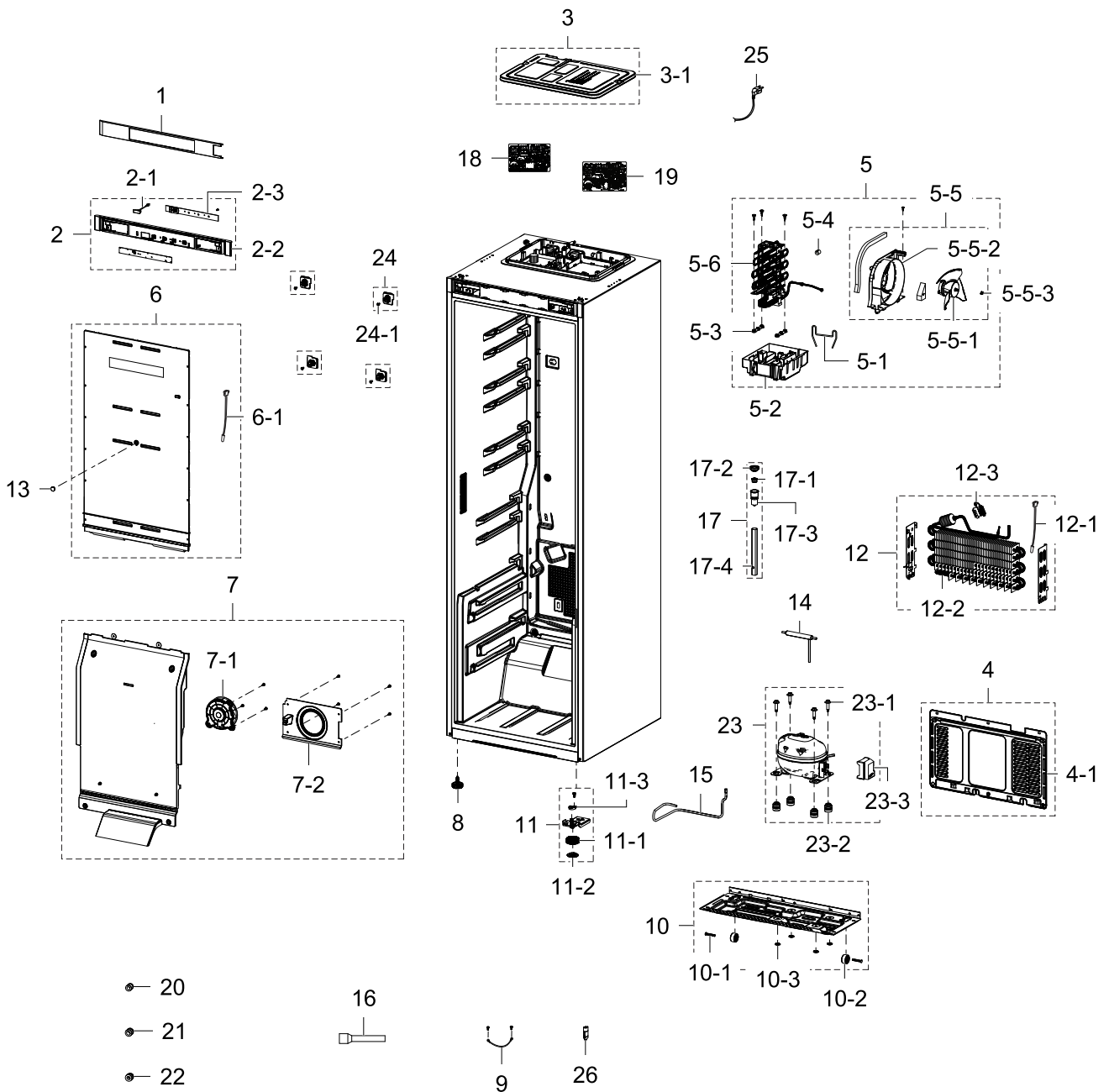


Parts List

No.	Lvl.	Loc.	Material Code	Description & Specification	SNA	Qty.
1	2	A1130	DA97-17517A	ASSY SHELF-UP; RR7000M	SA	2
1-1	3		DA64-05319A	GLASS-SHELF REF; RR7000M, GLASS, 3.2, 494, 35	SNA	2
2	2	A0186	DA97-17521A	ASSY SHELF-REF; RR7000M	SA	1
2-1	3		DA64-05320A	GLASS-SHELF REF; RR7000M, GLASS, 3.2, 494, 29	SNA	1
3	2		DA97-17679A	ASSY SHELF VEG-LOW; RR7000M, BASIC	SA	1
3-1	3		DA97-18206A	ASSY SHELF-REF LOW; RR7000M, GLASS ASSY	SNA	1
3-2	3	G0412	6002-000239	SCREW-TAPPING; TH,+,NO,2S,M4,L8,ZPC(WHT),	SA	4
4	2		DA97-17522A	ASSY SHELF-REF LOW; RR7000M	SA	1
4-1	3		DA64-05322A	GLASS-SHELF REF LOW; RR7000M, GLASS, 3.2, 45	SNA	1
5	2		DA97-17509A	ASSY CASE VEG-UP; RR7000M	SA	1
5-1	4		DA63-08632A	COVER VEG-UP; RR7000M, GPPS, TP BLUE	SNA	1
5-2	3		DA61-11348A	CASE VEG-UP; RR7000M, PP, COOL WHITE	SNA	1
6	2	M0300	DA97-17508A	ASSY CASE VEG-LOW; RR7000M	SA	1
6-1	4	M0272	DA63-08629A	COVER VEG-LOW; RR7000M, GPPS, TP BLUE	SNA	1
6-2	3		DA61-11344A	CASE VEG-LOW; RR7000M, PP, COOL WHITE	SNA	1
7	2		DA61-10672D	FIXER; RR7000M, ABS, INOX GRAY, HG-0760GP, GY	SA	1
8	2		DA99-04217A	ASSY ACCESSORY; RR7000M, PAIR	SNA	1
8-1	3	G0412	6002-000215	SCREW-TAPPING; TH,+,NO,1,M4,L16,ZPC(WHT),	SNA	5
8-2	3	G0412	6002-000613	SCREW-TAPPING; TH,+,-,2,M5,L16,ZPC(WHT),S	SA	2
8-5	3		DA61-10671A	REINF LEG-BOTTOM; BK, CR-SPCC, T1.2, PAIR IN	SA	1
8-6	3		DA61-10679A	FIXER LOCKER; BK, CR-SPCC, T1, PAIR INSTALL	SA	1
9	2	G0090	DA41-00519R	ASSY LAMP LED; 3ea, CEM-1, 65*10, WHITE, SMAW	SA	3
10	2	A0490	DA63-07368A	COVER-LAMP; 3050, GPPS, T2.0, TP BLUE, G116HV	SA	3

2. Cabinet

Exploded View



Parts List

No.	Lvl.	Loc.	Material Code	Description & Specification	SNA	Qty.
1	2		DA63-08655A	COVER FRAME-TOP FRONT; RR7000M,ABS,HB,INO	SA	1
2	2	A0904	DA97-17352A	ASSY COVER CONTROL-FRONT; RR7000M,INOX GR	SA	1
2-1	3	G0068	DA34-00043A	SWITCH REED; UL1007 AWG 22,100mm,DEM1-B50	SA	1

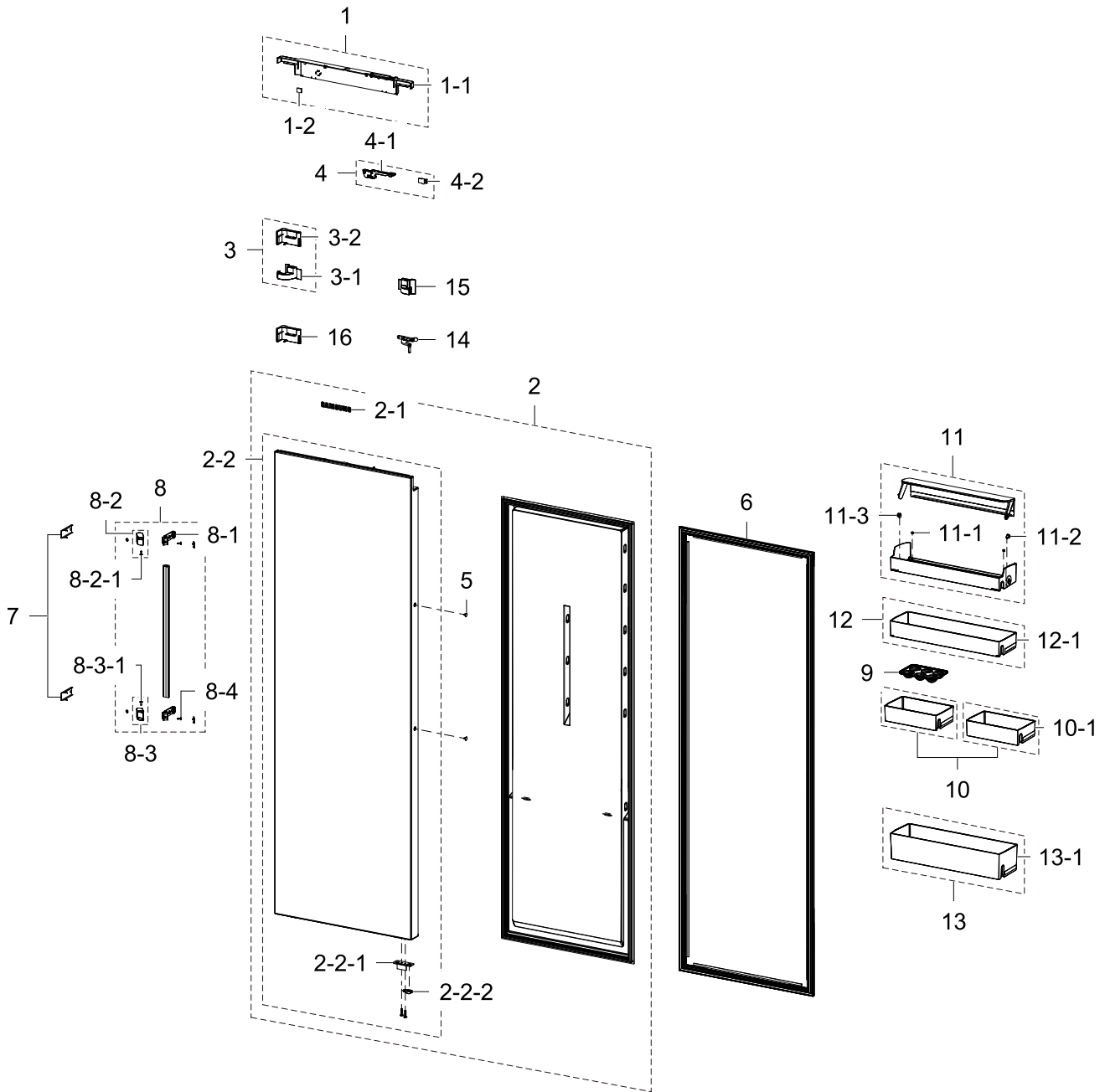
Exploded Views and Parts List

No.	Lvl.	Loc.	Material Code	Description & Specification	SNA	Qty.
2-2	3		DA63-08659A	COVER CONTROL-FRONT; RR7000M,ABS,HB,INOX	SNA	1
2-3	3		DA92-00918B	ASSY MODULE; 7-SEG,MATRIX,RR7000M,FRIDGE,	SA	1
3	2		DA97-17317A	ASSY COVER PBA; RR7000M,GI-SGCC	SA	1
3-1	3		DA63-08675A	COVER PBA; RR7000M,GI-SGCC,T0.4	SNA	1
4	2	M0076	DA97-17324A	ASSY COVER COMP; RR7000M	SA	1
4-1	3	Z1131	DA63-08663A	COVER COMP; RR7000M,GI-SGCC,T0.25,EMBO	SNA	1
5	2	A0529	DA97-17315A	ASSY TRAY DRAIN WATER; RR7000M,C150Q, Ste	SA	1
5-1	3		DA61-05424A	FIXER-PIPE TUBE; RR7000M,Al	SA	1
5-2	3		DA97-17864A	ASSY TRAY; RR7000M,TRAY DRAIN WATER, SEAL	SNA	1
5-3	3	M0181	DA63-40128A	GROMMET-SUB COND; -,NBR,-,-,-,-,-,DARK-	SA	2
5-4	3	M0333	DA63-40171B	GROMMET-SUCT PIPE A; NBR,-,ID4,OD20	SC	1
5-5	3	M0116	DA97-17321A	ASSY SUPPORT-CIRCUIT MOTOR; RR7000M,C150Q	SA	1
5-5-1	4		DA31-00339B	MOTOR BLDC FAN; ARCS2088RB,1230,12V,1.15W	SNA	1
5-5-2	4		DA61-11378A	SUPPORT MOTOR; RR7000M,ABS	SNA	1
5-5-3	4	A0768	DA61-20128A	SPRING ETC-FAN; STS304,PI8.8,ID7.8,OD9.8,	SA	1
5-6	3	A0298	DA97-17331A	ASSY CONDENSER; RR7000M,STEEL WIRE	SNA	1
6	2	G0239	DA97-17201A	ASSY COVER MULTI-REF; RR7000M	SA	1
6-1	3	A1018	DA32-00070C	SENSOR TEMP; SC41200-021A,250mm,13.2kohm	SA	1
7	2	Z1177	DA97-17186A	ASSY COVER EVAP-REF; RR7000M	SA	1
7-1	3		DA31-00287C	MOTOR BLDC FAN; ARES2120RC,1870 rpm,12V,0	SA	1
7-2	3	M0143	DA61-08425A	CASE-MOTOR FRE; HM12,ABS,LIGHT GRAY,CNTK	SA	1
8	3	Z1128	DA61-07546B	LEG-FRONT; GRAND CRU,PP,BLACK,RM60,PP Scr	SA	1
9	2	A0562	DA39-20389A	ASSY WIRE HARNESS-EARTH; ALL,FREE VOLT,UL	SA	1
10	2	A0526	DA97-17325A	ASSY CHASSIS COMP; RR7000M	SA	1
10-1	3	A0861	DA60-90146A	PIN-CASTER; SR-289-429,MSWR10,OD6.0,L38,Z	SA	2
10-2	3	A0527	DA61-06202A	CASTER-REAR; GRAND-CRU,PP,NATURAL	SA	2
10-3	3	A0739	DA64-05193A	CHASSIS COMP; RR7000M,GI-SGCC,T1.0,-,-	SNA	1
11	2	M0344	DA97-17371A	ASSY HINGE-LOW; RR7000M,T4.0,BLACK	SA	1
11-1	3	A0577	DA61-07972B	FOOT-FRONT; POLARIS,PP,BLACK,INSERT NUT,	SA	1
11-2	3	A0863	DA61-07973B	FOOT; POLARIS,PP,BLACK,PP_S	SA	1

No.	Lvl.	Loc.	Material Code	Description & Specification	SNA	Qty.
11-3	3	M0266	DA66-00401A	CAM-RISER; SAPPHIRE-PJT,PA66,BLACK,KN3311	SA	1
12	2	A0184	DA96-01212A	ASSY EVAP-REF; RR7000M,FIN TUBE,Alumite	SA	1
12-1	3	A1018	DA32-00070G	SENSOR TEMP; SC41198-021A, PVC TUBE 200mm	SA	1
12-2	3		DA59-00555B	EVAPORATOR-REF; Fin Tube, Alumite,RR7000M	SNA	1
12-3	3	T0066	DA61-00603A	FIXER SENSOR; n-PJT,PP,T2.0,NATURAL,HB,BJ	SA	1
13	2	A0270	DA67-30266K	CAP SCREW; A-TOP,PP,T1.5,HB,BJ750,COOL WH	SA	1
14	2	A0669	DA62-04309C	DRYER; Cu,118,SINGLE MOUTH,6g	SA	1
15	2		DA62-04855A	PIPE CONNECT-SUCTION; RR7000M,Cu,6.35,0.6	SA	1
16	2	A0523	DA73-10190U	PIPE-CONNECT DISC,B; ALL,Cu,C1220T,OD6.35	SA	1
17	2	M0067	DA97-04049E	ASSY CAP-DRAIN; AW3	SA	1
17-1	3	A0336	DA61-05021A	FIXER-DRAIN; HAEMIL,PP,T0.6,CARMEN WINE,B	SA	1
17-2	3		DA63-02761A	GROMMET-DRAIN; RS18RK,NBR,-,-,-,-,BLK,-	SA	1
17-3	3	A0492	DA67-01301A	CAP-DRAIN; AW4,HIPS,HB,S834S1,NATURAL	SA	1
17-4	3	A1101	DA62-01266B	TUBE PVC; AW3,SF-PVC,BLACK	SA	1
18	1	A0952	DA92-00853W	ASSY PCB MAIN; RR7000M,160*194,FRIDGE,R/C	SA	1
19	1		DA92-00459P	ASSY PCB INVERTER; INVERTER,3050,148*98.5	SA	1
20	2		DA60-00279A	FITTING-LOKRING 16; SUM23,16	SA	1
21	2		DA60-00280A	FITTING-LOKRING 33; SUM23,33	SNA	1
22	2		DA60-00281A	FITTING LOKRING; SUM23,St 56	SNA	1
23	2		NC4AV80ALR/TT2	CMP,COMP,REFRIGERATOR,R-600A; CMP,COMP,REFRIGERATOR,R-600A		1
23-1	3	A0564	6011-004061	BOLT-HEX; M6,L43.6,SWRCH10A	SA	4
23-2	3	Z1112	DA63-02617A	GROMMET COMP; USP05,EPDM,OD27.0,BLACK	SA	4
23-3	3	Z1032	DA63-06122A	COVER RELAY; MSV,MPPO,T2.0,BLACK,V-0	SA	1
24	3		DA97-10898B	ASSY-GROMMET FIXER; POLARIS,FRPP	SNA	4
24-1	4	G0412	6002-001122	SCREW-TAPPING; FH,+,NO,1,M4,L14,ZPC(WHT),	SC	20
25	2	A0273	3903-000794	CBF-POWER CORD; AT,E.U,EU3F,3C,250V,16A,B	SA	1
26	2		DA63-08943A	GROMMET; BRR9000M,NBR,CAPI GROMMET	SA	1

3. Door

Exploded View



Parts List

No.	Lvl.	Loc.	Material Code	Description & Specification	SNA	Qty.
1	2		DA97-17366A	ASSY COVER WIRE DOOR; RR7000M,INOX GRAY	SA	1
1-1	3		DA63-08665A	COVER WIRE-DOOR; RR7000M,ABS,HB,INOX GRAY	SNA	1
1-2	3	A0534	DA61-03769B	MAGNET; SVETA,FERRITE,1600Gauss	SA	1

No.	Lvl.	Loc.	Material Code	Description & Specification	SNA	Qty.
2	2	Z1100	DA91-04712K	ASSY DOOR FOAM-REF; RR7000M,REF,METAL GRA	SA	1
2-1	3	M0196	DA64-04020C	MASCOT; ALL,Ni,T0.06,L80	SA	1
2-2	3		DA97-17654A	ASSY PLATE DOOR-REF; RR7000M,SV9013(METAL	SNA	1
2-2-1	5	A0640	DA61-11383A	STOPPER DOOR; RR7000M,PO-SPHC,T3.0,BLACK,	SA	1
2-2-2	5	M0389	DA66-00344A	CAM-HINGE RISER LOW; USP05(ATOP,ET),PA66,	SC	1
3	2		DA91-04724A	ASSY INSTALL; RR7000M,INOX GRAY, REF	SNA	1
3-1	3		DA63-08657A	COVER WIRE-HINGE LEFT; RR7000M,ABS,HB,INO	SA	1
3-2	3		DA67-04366A	CAP SPACE-DOOR RIGHT; RR7000M,ABS,HB,INOX GRAY	SA	1
4	2		DA97-17741A	ASSY COVER UNIT; RR7000M,INOX GRAY,Intern	SA	1
4-1	3		DA63-08673A	COVER-USB; RR7000M,ABS,HB,INOX GRAY	SNA	1
4-2	3		DB92-03769A	ASSY MODULE; ASSY GENDER,ASSY GENDER, CEM	SA	1
5	2		DA67-04025A	CAP SCREW; BK-PJT,ABS,-,HB,HG-0760GP,INOX	SA	2
6	2		DA97-17702A	ASSY GASKET; RR7000M,GRAY, A+ Model	SA	1
7	2		DA63-08662A	COVER SLIDER HANDLE; RR7000M,ABS,HB,CREAM	SA	2
8	2	A0553	DA97-17287A	ASSY HANDLE; RR7000M,INOX GRAY, EASY	SA	1
8-1	3		DA97-17286A	ASSY HANDLE-A; RR7000M,INOX GRAY	SNA	2
8-2	3		DA97-15745A	ASSY HANDLE-UP; BK-PJT,INOX GRAY	SNA	1
8-2-1	4	G0412	6002-001122	SCREW-TAPPING; FH,+,NO,1,M4,L14,ZPC(WHT),	SC	20
8-3	3	A0811	DA97-15746A	ASSY HANDLE-LOW; BK-PJT,INOX GRAY	SNA	1
8-3-1	4	G0412	6002-001122	SCREW-TAPPING; FH,+,NO,1,M4,L14,ZPC(WHT),	SC	20
8-4	3	G0412	6002-001122	SCREW-TAPPING; FH,+,NO,1,M4,L14,ZPC(WHT),	SC	2
9	2	A0656	DA63-07346A	TRAY EGG; 3050,GPPS,-,HB,TP BLUE,165N,HI-	SA	1
10	2		DA97-15480B	ASSY GUARD VARIETY; BK	SA	4
10-1	3	A0153	DA63-08038A	GUARD VARIETY; RB7000,GPPS,T3.0,TP BLUE	SA	4
11	2	A0636	DA97-15479B	ASSY GUARD DAIRY; BK	SA	1
11-1	3		DA63-07538A	GROMMET-A; MOUTON12,SI,COOL WHITE,NAME TA	SA	2
11-2	3		DA67-02921A	CAP-HINGE DAIRY L; HERMES,POM,NTR	SA	1
11-3	3		DA67-02920A	CAP-HINGE DAIRY R; HERMES,POM,NTR	SA	1
12	2		DA97-17682B	ASSY GUARD-REF UP; RR7000M,No Hot Stampin	SA	1

Exploded Views and Parts List

No.	Lvl.	Loc.	Material Code	Description & Specification	SNA	Qty.
12-1	3	M0447	DA63-08678A	GUARD-REF UP; RR7000M,GPPS,T3.0,TP BLUE	SNA	1
13	2	A0167	DA97-15481B	ASSY GUARD BOTTLE; BK	SA	1
13-1	3	A0151	DA63-08039A	GUARD BOTTLE; RB7000,GPPS,T3.0,TP BLUE	SA	1
14	2		DA97-17372A	ASSY HINGE-UP; RR7000M,T4.0,BLACK	SA	1
15	2		DA63-08658A	COVER WIRE-HINGE RIGHT; RR7000M,ABS,HB,IN	SA	1
16	2		DA67-04367A	CAP SPACE-DOOR LEFT; RR7000M,ABS,HB,INOX	SA	1