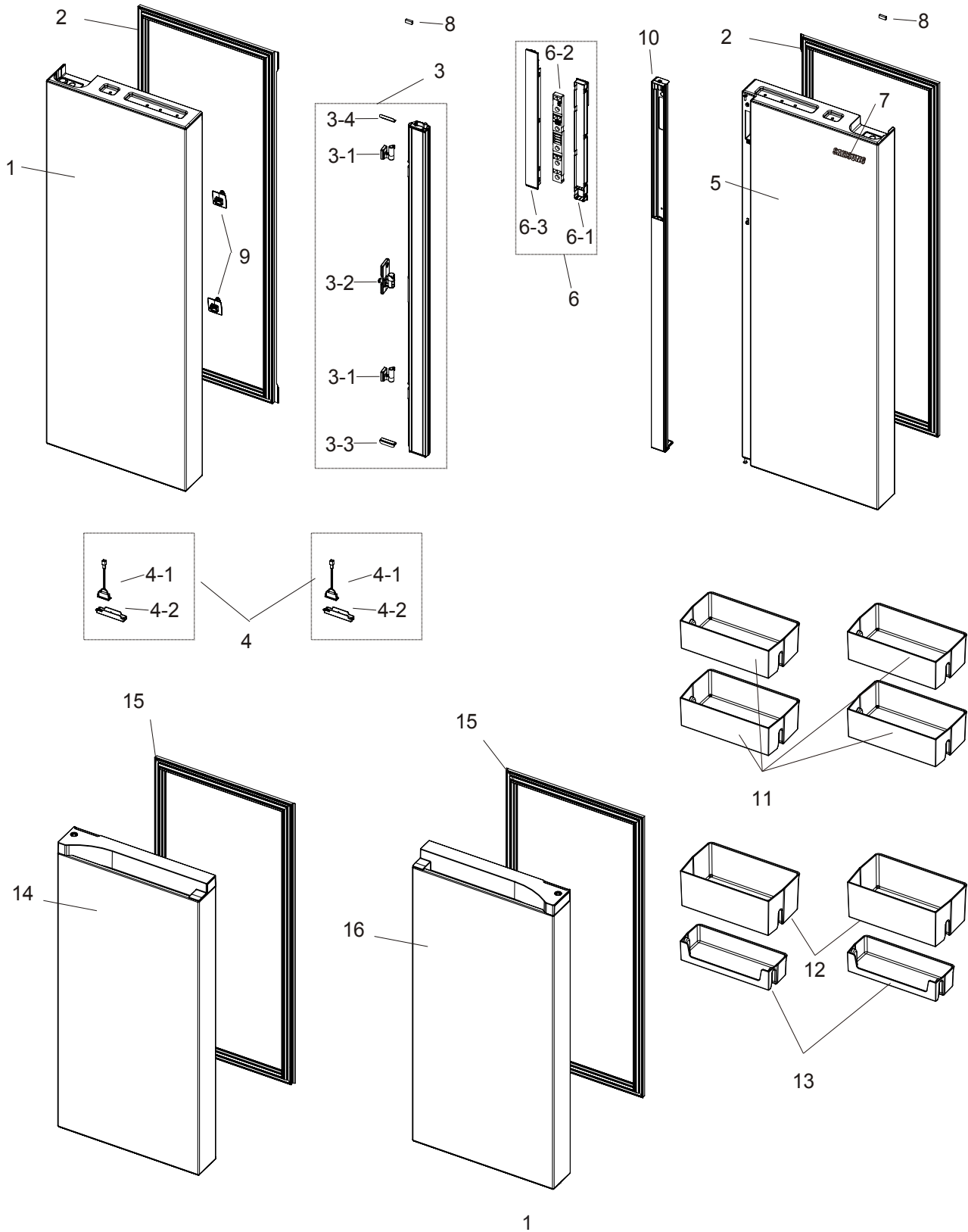


EXPLODED VIEW PART LIST

1. EXPLODED VIEW PART LIST

1-1. DOOR



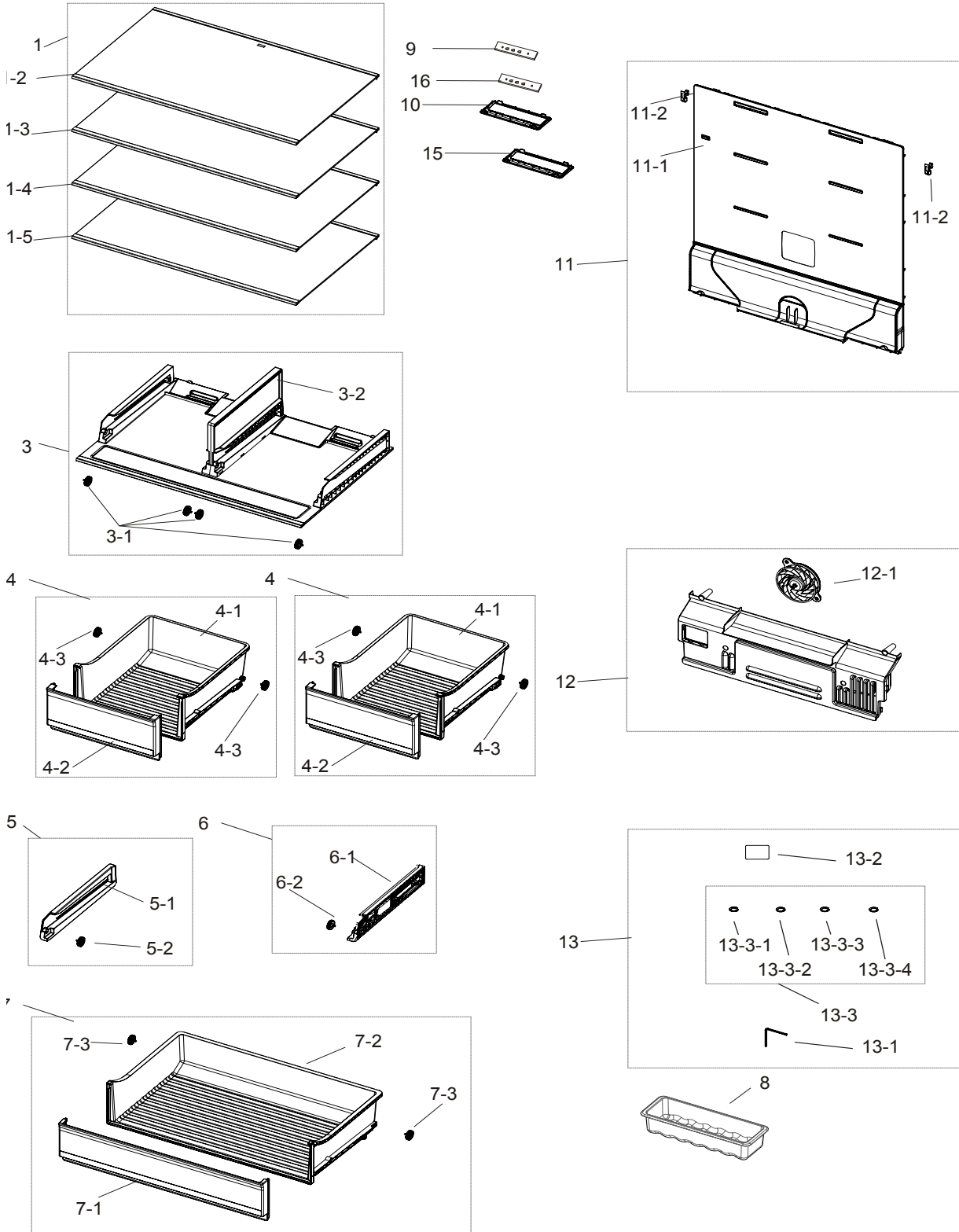
EXPLODED VIEW PART LIST

- RF50N5970B1/ES PART LIST

NO	CODE NO	PART NAME	Specification	Qty	SA/SNA	
1	DA94-02711Q	ASSY DOOR FOAM REF-L	RF50K5910B1/TL	1	SA	
2	DA97-19779B	ASSY GASKET-REF	RF5500K,W346.2*L968.1,S-PVC,DARK GRAY,NEW SECTION	1	SA	
3	DA97-16190D	ASSY CENTER PILLAR	RF5500K,EMPIRE BLACK	1	SA	
3-1	DA61-08305A	HINGE-FRENCH	AW4,PA6,T2,HI7025,COOL WHITE	2	SA	
3-2	DA63-03454B	COVER-HEATER FRENCH	AW-PJT,PC,COOL-WHITE(SC-02740R	1	SA	
3-3	DA63-08494C	GASKET FRENCH-LOW	RF5500K,SI,BLACK	1	SA	
3-4	DA63-06959D	GASKET FRENCH-UP	RF5500K,SI,BLACK	1	SA	
4	DA97-16462A	ASSY COVER SWITCH	RF5500K,I-BLACK	1	SNA	
4-1	DA34-00043J	SWITCH REED	UL1007 AWG 22,50mm	1	SA	
4-2	DA67-02385B	CAP-REED SWITCH	SVETA-PJT,PP,T1.5,75.5,15.0,I-BLACK,SC-00477R	1	SA	
5	DA94-02677R	ASSY DOOR FOAM REF-R	RF50K5910B1/TL	1	SA	
6	DA97-16446E	ASSY COVER CONTROL	RF5500K,HALF MIRROR,ENGLISH	1	SA	
6-1	DA63-08341A	COVER CONTROL-REAR	RF5500K,ABS,T1.5,HB,I BLACK	1	SNA	
6-2	DA92-00761C	ASSY MODULE	ICE BLUE,ENGLISH,RF5500K,Handle touch,Y	1	SNA	
6-3	DA97-16447E	ASSY COVER CONTROL-SUB	RF5500K,HALF MIRROR,ENGLISH	1	SA	
7	DA64-04020A	MASCOT	ALL,NI,L80	1	SA	
8	DA61-03769B	MAGNET	SVETA,FERRITE,1600Gauss	1	SNA	
9	DA97-16445A	ASSY GROMMET-FRENCH	RF5500K,ASSY	2	SA	
10	DA97-16444E	ASSY TRIM HANDLE-REF	RF5500K,DARK SILVER,HAIR LINE	1	SA	
11	DA63-08311C	GUARD REF	RF5500K T-TYPE,GPPS,TP GRAY,Hot Stamping	4	SA	
12	DA63-08312C	GUARD BOTTLE	RF5500K T-TYPE,GPPS,TP GRAY,Hot Stamping	2	SA	
13	DA63-08313B	GUARD REF-LOW	RF5500K T-TYPE,GPPS,TP GRAY	2	SA	
14	DA91-04510L	ASSY DOOR FOAM-FRE LEFT	RF50K5910B1/TL	1	SA	
15	DA97-19776B	ASSY GASKET-FRE	RF5500K,T-TYPE KOREAN,W346.2*L757.1,S-PVC,NEW SECTION,DARK GRAY	1	SA	
16	DA91-04509L	ASSY DOOR FOAM-FRE RIGHT	RF50K5910B1/TL	1	SA	
17	DA07-00071C	LED DISPLAY	7S,3D,RF5500,LED module,ICE Blue,ENGLISH,IBL,PIN	1	SNA	
18	DA61-07443B	SUPPORT-DOOR CLOSE	NW2,POM,BLACK	1	SA	

EXPLODED VIEW PART LIST

1-2. Cabinet(refriger)



EXPLODED VIEW PART LIST

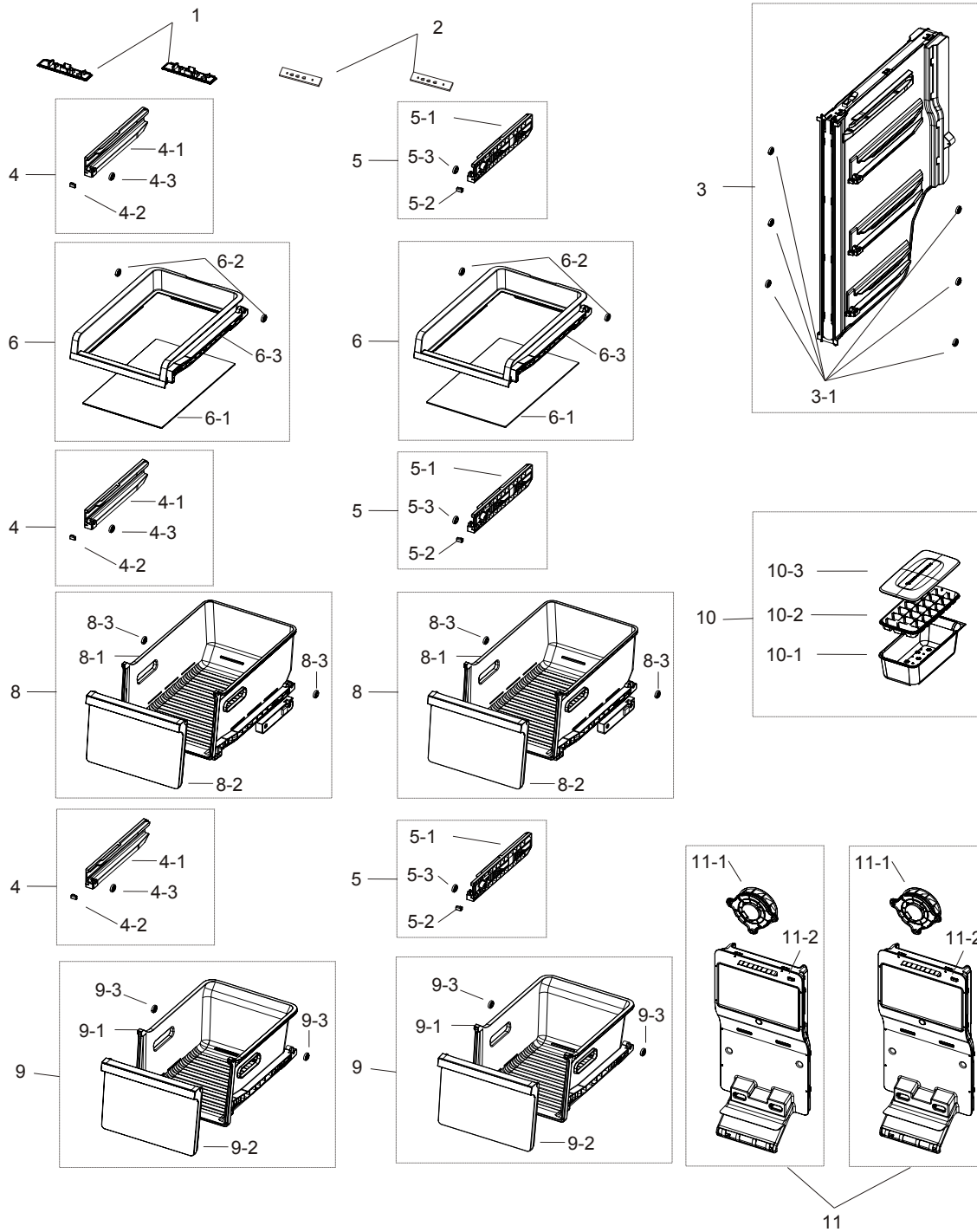
NO	CODE NO	PART NAME	Specification	Qty	SA/SNA	
1	DA97-19552A	ASSY SHELF-REF	RF50N5970B1/SC,Metal Shelf	3	SA	
1-1	DA61-11135B	STOPPER	RQ9500M,SWRCH10A,FH M3 L16 Type1 Cr coat	4	SA	
1-2	DA67-04401A	SHELF-A	BRR9000M_30R,PP,CAP FRONT LEFT	1	SA	
1-3	DA67-04402A	SHELF-A	BRR9000M_30R,PP,CAP FRONT RIGHT	1	SA	
1-4	DA67-04403A	SHELF-A	BRR9000M_30R,PP,CAP REAR LEFT	1	SA	
1-5	DA67-04404A	SHELF-A	BRR9000M_30R,PP,CAP REAR RIGHT	1	SA	
1-6	DA97-19553A	ASSY SHELF-REF SUB	RF50N5970B1/SC,Metal Shelf	1	SA	
3	DA97-16464C	ASSY CASE PANTRY	RF50N5970B1/SC	1	SA	
3-1	DA97-15998A	ASSY ROLLER	RF9000JC,29	1	SA	
3-2	DA61-10978A	RAIL TRAY-REF MIDDLE	HIPS,COOL WHITE	1	SA	
4	DA97-16463C	ASSY TRAY DRAWER-CRISPER	RF5500K,Hot Stamping	2	SA	
4-1	DA61-10977A	CASE VEG-MIDDLE	HIPS,COOL WHITE	1	SNA	
4-2	DA63-08349C	COVER TRAY-CHILLED LOW	RF5500K,GPPS,TP GRAY,Hot Stamping	1	SNA	
4-3	DA97-15998A	ASSY ROLLER	RF9000JC,29	1	SA	
5	DA97-16466A	ASSY RAIL-REF LOW LEFT	RF5500KC,ASSY	1	SNA	
5-1	DA61-10998A	RAIL TRAY-UP LEFT	HIPS,COOL WHITE	1	SA	
5-2	DA97-15998A	ASSY ROLLER	RF9000JC,29	1	SA	
6	DA97-16467A	ASSY RAIL-REF LOW RIGHT	RF5500KC,ASSY	1	SNA	
6-1	DA61-10975A	RAIL TRAY-UP RIGHT	HIPS,COOL WHITE	1	SA	
6-2	DA97-15998A	ASSY ROLLER	RF9000JC,29	1	SA	
7	DA97-16465C	ASSY TRAY VEG	RF5500K,Hot Stamping	1	SA	
7-1	DA63-08350C	COVER TRAY-LOW	RF5500K,GPPS,TP GRAY,Hot Stamping	1	SNA	
7-2	DA63-08404A	TRAY-REF	HIPS,COOL WHITE	1	SNA	
7-3	DA97-15998A	ASSY ROLLER	RF9000JC,29	1	SA	
8	DA63-06420C	TRAY EGG	RF5500K,GPPS,TP GRAY	1	SA	
9	DA96-01119A	ASSY LAMP LED	3EA,FR-4,150*12,WHITE,SMAW250-(H)03G,MAX199mA,DC12V,MIN140lx	1	SA	
10	DA97-16143A	ASSY COVER LAMP	RF8000K	1	SA	
11	DA97-16973A	ASSY COVER EVAP-REF	RF5500K	1	SA	
11-1	DA32-00011W	SENSOR TEMP	PX-41C,MT-PJT,-40~110□,5V,CoolSelectZone Sensor,YEL,900mm	1	SA	
11-2	DA97-16400A	ASSY COVER DEODORIZER	RS6500,DEODORIZER	1	SNA	
11-2-1	DA31-00070E	MOTOR BLDC FAN	66mm boxfan motor,3600rpm,12V,0.1A,1.2W	1	SA	
12	DA97-16367A	ASSY CASE MOTOR-REF	ASSY	1	SA	
12-1	DA31-00287B	MOTOR BLDC FAN	AIO Q7,1870rpm,12V,210mA,2.5W,AIO Q7,-30to+60C	1	SA	
13	DA98-01735E	ASSY MANUAL	RF50N5970B1/ES	1	SNA	
13-1	6801-001703	CARD-WARRANTY	SPA,POR,ITA,XES,3 Country,PAPER,W210,L150,EUROPE	1	SNA	
13-2	6902-002344	BAG PE	HDPE,T0.015,W2000,L2200,TRP,RECYCLE+SUF+WAR NING 28LAN,Hole Y,Bio. N	1	SNA	
13-3	DA99-04158A	ASSY ACCESSORY	ROMANEE CONTI,ADJUSTMENT	1	SA	
13-3-1	DA60-00314A	FASTENER-HINGE	ROMANEE CONTI,POM,BLACK	1	SA	
13-3-2	DA60-00314B	FASTENER-HINGE	ROMANEE CONTI,POM,T1.5,BLACK,CAVITY3,4	1	SA	

EXPLODED VIEW PART LIST

NO	CODE NO	PART NAME	Specification	Qty	SA/SNA	
13-3-3	DA60-00314C	FASTENER-HINGE	ROMANEE CONTI,POM,T2.0,BLACK,CAVITY5,6	1	SC	
13-3-4	DA60-00314D	FASTENER-HINGE	ROMANEE CONTI,POM,T2.5,BLACK,CAVITY7,8	1	SA	
14	DA97-16794A	ASSY LEVER AUTO CLOSE	RF5500K,BLACK	1	SA	
15	DA97-16143C	ASSY COVER LAMP	RF5500K	2	SA	
16	DA96-01060C	ASSY LAMP LED	18,FR-4,400*10,WHITE,SMAW250-(H)03G,272mA~368mA,DC12V,MIN 200lx	2	SA	

EXPLODED VIEW PART LIST

1-3. Cabinet(temperature & freeze)



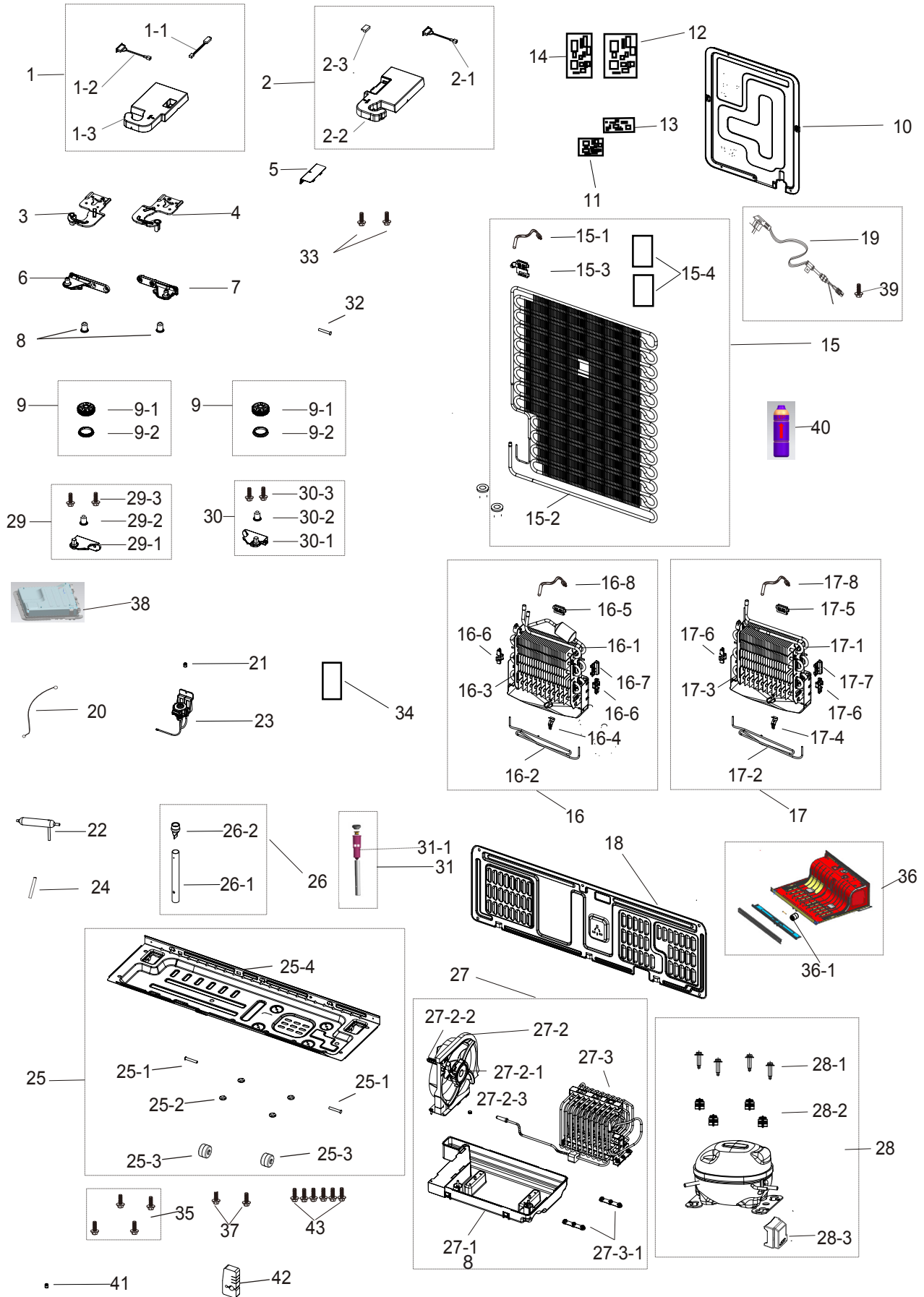
EXPLODED VIEW PART LIST

• RF50N5970B1/ES PART LIST

NO	CODE NO	PART NAME	Specification	Qty	SA/SNA	
1	DA63-04921B	COVER LAMP-LED FRONT	CULLINAN,PC,TRANSPARENCE	2	SA	
2	DA41-00519P	ASSY LAMP LED	3ea,CEM-1,100*20,WHITE,SMAW250-03G or-H03G,40mA~80mA,DC12V,MIN 30lx	2	SA	
3	DA97-16497A	ASSY PARTITION-FRE V	RF5500K,ASSY PARTITION	1	SNA	
3-1	DA66-00420A	ROLLER-RAIL LOW	N07-PJT,SSEC,POM,NTR	6	SA	
4	DA97-16540A	ASSY RAIL-FRE LOW LEFT	RF5500KC	3	SNA	
4-1	DA61-10985A	RAIL-FRE LOW LEFT	HIPS,COOL WHITE	1	SA	
4-2	DA63-06008A	GROMMET-RAIL	POLARIS,SI,NTR	6	SA	
4-3	DA66-00420A	ROLLER-RAIL LOW	N07-PJT,SSEC,POM,NTR	6	SA	
5	DA97-16541A	ASSY RAIL-FRE LOW RIGHT	RF5500KC	3	SNA	
5-1	DA61-10986A	RAIL-FRE LOW RIGHT	HIPS,COOL WHITE	1	SA	
5-2	DA63-06008A	GROMMET-RAIL	POLARIS,SI,NTR	6	SA	
5-3	DA66-00420A	ROLLER-RAIL LOW	N07-PJT,SSEC,POM,NTR	6	SA	
6	DA97-16538A	ASSY SHELF SLIDE-FRE	RF5500KC,Hot Stamping	2	SA	
6-1	DA64-05060A	GLASS-SHELF FRE	GLASS	1	SNA	
6-2	DA66-00420A	ROLLER-RAIL LOW	N07-PJT,SSEC,POM,NTR	6	SA	
6-3	DA67-04198A	SHELF SLIDE-UP	HIPS,NATURAL	1	SNA	
7	DA97-16794A	ASSY LEVER AUTO CLOSE	RF5500K,BLACK	1	SA	
8	DA97-16478C	ASSY TRAY-FRE MIDDLE	RF5500K,T-TYPE,Hot Stamping	2	SA	
8-1	DA61-10980A	CASE TRAY-FRE MIDDLE	PP,COOL WHITE	1	SNA	
8-2	DA63-08357C	COVER TRAY-MIDDLE	RF5500K,T-TYPE,GPPS,TP GRAY,Hot Stamping	1	SNA	
8-3	DA66-00420A	ROLLER-RAIL LOW	N07-PJT,SSEC,POM,NTR	6	SA	
9	DA97-16479C	ASSY TRAY-FRE LOW	RF5500K,T-TYPE,Hot Stamping	2	SA	
9-1	DA61-10989A	CASE TRAY-FRE LOW	PP,COOL WHITE	1	SNA	
9-2	DA63-08357C	COVER TRAY-MIDDLE	RF5500K,T-TYPE,GPPS,TP GRAY,Hot Stamping	1	SNA	
9-3	DA66-00420A	ROLLER-RAIL LOW	N07-PJT,SSEC,POM,NTR	6	SA	
10	DA97-11656F	ASSY TRAY ICE	RF5500K	1	SA	
10-1	DA61-07507C	CASE ICE	RF5500K,GPPS,TP GRAY	1	SA	
10-2	DA63-06164A	TRAY ICE	410DNT, BK,PP,T2.5,HB,COOL WHITE	1	SA	
10-3	DA63-06165B	COVER TRAY	RF5500K,GPPS,TP GRAY	1	SA	
11	DA97-16365A	ASSY COVER EVAP-FRE	ASSY	2	SA	
11-1	DA31-00287B	MOTOR BLDC FAN	AIO Q7,1870rpm,12V,210mA,2.5W,AIO Q7,-30to+60C	1	SA	
11-2	DA32-10105X	SENSOR TEMP	PX-41C,502AT,DKST1329GW,QUEEN PJT,-40~120□,5V,F-SENSOR,YELLOW,450mm	1	SA	

EXPLODED VIEW PART LIST

1-4. freezer



EXPLODED VIEW PART LIST

NO	CODE NO	PART NAME	Specification	Qty	SA/SNA
1	DA97-16192D	ASSY COVER HINGE-UP LEFT	RF5500K,I BLACK,AUTO CLOSE	1	SA
1-1	DA32-00034B	SENSOR HUMIDITY	DA32-00034B,SHT20P,5V,0 to 100%,REF	1	SA
1-2	DA34-00043J	SWITCH REED	UL1007 AWG 22,50mm	1	SA
1-3	DA63-08491C	COVER HINGE-UP LEFT	RF5500K,ABS,T2.5,I BLACK,BK0044	1	SNA
2	DA97-16191E	ASSY COVER HINGE-UP RIGHT	RF5500K,I BLACK,AUTO CLOSE	1	SA
2-1	DA34-00043J	SWITCH REED	UL1007 AWG 22,50mm	1	SA
2-2	DA63-08492C	COVER HINGE-UP RIGHT	RF5500K,ABS,T2.5,I BLACK,BK0044	1	SNA
2-3	DB92-03769A	ASSY MODULE	ASSY GENDER,ASSY GENDER, CEM-1	1	SA
3	DA97-16229B	ASSY HINGE-UP LEFT	RF5500K,T3.0,Auto Close	1	SA
4	DA97-16230B	ASSY HINGE-UP RIGHT	RF5500K,T3.0,Auto Close	1	SA
5	DA63-08333D	COVER HINGE-UP	RF5500K,ABS,I BLACK,BK0044	1	SNA
6	DA97-16427B	ASSY HINGE-MIDDLE LEFT	RF5500K,5.0.BLACK,PAINTING	1	SA
7	DA97-16428B	ASSY HINGE-MIDDLE RIGHT	RF5500K,5.0.BLACK,PAINTING	1	SA
8	DA63-06410A	GROMMET HINGE-MID	AW3,POM,BLACK	2	SA
9	DA97-16702A	ASSY FOOT HINGE-LOW	RF5500K,BLACK,T TYPE	2	SA
9-1	DA61-07280B	FOOT-FRONT	RF5500K,PP,BLACK	1	SA
9-2	DA63-06285B	COVER LEG-FRONT	RF5500K,PP,BLACK	1	SA
10	DA97-16513A	ASSY COVER PCB-MAIN	assy	1	SA
11	DA27-00027E	COIL FILTER	14mH,82*60,AC 5A,0.68uF / 0.68uF,1500pF / 1500pF	1	SA
12	DA92-00760H	ASSY PCB MAIN	T-TYPE,RF5500K,160*97mm,N,DC12V/5V,Grade 2,5-FAN	1	SA
13	DA92-00762A	ASSY PCB SUB	SUB PBA,RF5500K,97*60mm,N,220V,Y	1	SA
14	DA92-00768E	ASSY PCB INVERTER	INVERTER,HM12,197*98.5,Y,220V,15V, 5V,F3_AL,Y	1	SA
15	DA96-01187A	ASSY EVAP-REF	RF5500,AL	1	SA
15-1	DA32-00006G	SENSOR TEMP	PX-41C,DKST1329GW,F DEF SENSOR	1	SC
15-2	DA59-00592A	EVAPORATOR-REF	Fin Tube,RF5500,AL,7,AL,20,35	1	SNA
15-3	DA61-07408A	FIXER-SENSOR	NW2,PP,NATURAL,M1600	1	SNA
15-4	6501-000122	CABLE TIE	DACT-100,T1.2,W2.5,L101.6,NTR,NYLON66	2	SNA
16	DA96-01160A	ASSY EVAP-FRE	RF5500K T type,AL	1	SA
16-1	DA47-00301D	THERMO FUSE-ASSY	AC250V,10A, 109~110□,S.O.D,ETC(WIRE)	1	SA
16-2	DA47-00485A	HEATER METAL SHEATH	AC230V,120W,BIMETAL,35965-9213	1	SA
16-3	DA59-00584A	EVAPORATOR-FRE	Fin Tube,RF5500K T type,2,AL,8,60,28	1	SNA
16-4	DA61-03644A	PLATE-EVAP HEATER	AW-PJT,AI,T0.7	1	SA
16-5	DA61-07408A	FIXER-SENSOR	NW2,PP,NATURAL,M1600	1	SNA
16-6	DA61-07410A	FIXER-HEATER FRE	NW2,PP,NATURAL,BJ750	1	SA
16-7	DA61-07411A	FIXER-FUSE	NW2,PP,NATURAL,BJ750	1	SA
16-8	DA32-00066H	SENSOR TEMP	-,MT12,-50~80□,5V,-,PBA CAP, 502AT or DKST1329 chip,BLU,150	1	SA
17	DA96-01161A	ASSY EVAP-CONV	RF5500K T type,AL	1	SA
17-1	DA47-00301D	THERMO FUSE-ASSY	AC250V,10A, 109~110□,S.O.D,ETC(WIRE)	1	SA
17-2	DA47-00485A	HEATER METAL SHEATH	AC230V,120W,BIMETAL,35965-9213	1	SA
17-3	DA59-00585A	EVAPORATOR-M	Fin Tube,RF5500K T type,2,AL,8,60,28	1	SNA
17-4	DA61-03644A	PLATE-EVAP HEATER	AW-PJT,AI,T0.7	1	SA

EXPLODED VIEW PART LIST

• RF50N5970B1/ES PART LIST

NO	CODE NO	PART NAME	Specification	Qty	SA/SNA	
17-5	DA61-07408A	FIXER-SENSOR	NW2,PP,NATURAL,M1600	1	SNA	
17-6	DA61-07410A	FIXER-HEATER FRE	NW2,PP,NATURAL,BJ750	1	SA	
17-7	DA61-07411A	FIXER-FUSE	NW2,PP,NATURAL,BJ750	1	SA	
17-8	DA32-00066H	SENSOR TEMP	-,MT12,-50~80□,5V,-,-,PBA CAP, 502AT or DKST1329 chip,BLU,150	1	SA	
18	DA97-16502A	ASSY COVER COMP	RF5500	1	SA	
19	3903-000794	CBF-POWER CORD	AT,E,U,EU3F,3C,250V,16A,BLACK,2000,20/100/100/150, H05VV-F 0.75mm ² ,VDE,Y,N,N,N,Y	1	SA	
20	DA39-20389C	ASSY WIRE HARNESS-EARTH	ALL,FREE VOLT,UL+IEC,UL,ALL,EARTH,200mm,1, ST710489-3*2	1	SA	
21	DA60-00280A	FITTING-LOKRING 33	SUM23,33, 11SMnPb30K	1	SA	
22	DA62-04309A	DRYER	C1220T-H,137,SINGLE MOUTH,15.8,9g	1	SA	
23	DA62-04617D	VALVE STEP	DC12V,MODULE,3WAY,LEFT/LEFT bending	1	SA	
24	DA73-00050G	PIPE-CONN	Cu,OD6.35,T0.6	1	SA	
25	DA97-16511A	ASSY CHASSIS COMP	RF5500	1	SA	
25-1	DA60-90146A	PIN-CASTER	SR-289-429,MSWR,L38,ZPC2	2	SNA	
25-2	DA61-01867A	BRACKET-COMP	A-TOP,GI-SGCC,T2,T2.0	4	SNA	
25-3	DA61-07744A	CASTER-REAR	SUPER STAR,PP,NTR,CN	2	SA	
25-4	DA64-04964A	CHASSIS COMP	RF5500K,GI-SGCC,T1.2,NATURAL	1	SNA	
26	DA97-16516A	ASSY CAP DRAIN	RF5500,PVC,1.0,165	1	SA	
26-1	DA62-20001X	TUBE-PVC	PVC,NATURAL	1	SNA	
26-2	DA63-00951C	GROMMET-DRAIN HOSE	V2-PJT,NBR,BLACK	1	SNA	
27	DA97-16537A	ASSY TRAY DRAIN WATER	RF5500K	1	SNA	
27-1	DA63-08412A	TRAY DRAIN-WATER	PP,BLACK	1	SA	
27-2	DA97-15765B	ASSY SUPPORT-CIRCUIT MOTOR	C 160I	1	SA	
27-2-1	DA31-00278C	MOTOR BLDC FAN	ARCS2088LA,1120,12V,0.14,1.7W,NK-V3,-10~70	1	SA	
27-2-2	DA31-00320A	FAN	HM12,ABS+GLASSFIBER,GR-4010/NTR	1	SA	
27-2-3	DA61-20128A	SPRING ETC-FAN	STS304,PI8.8,ID7.8,OD9.8,L5.0,FD	1	SA	
27-3	DA97-16403A	ASSY CONDENSER-MAIN	RF5500	1	SA	
27-3-1	DA63-40128A	GROMMET-SUB COND	-,NBR,-,-,-,-,-,DARK-GRAY	2	SA	
28	NF34J9131ANSJ3	CMP,COMP,REFRIGERATOR,R-600A	0	1	-	
28-1	DA60-20008A	BOLT-HEX	M6,L43.6(28.1),ZPC(SILVER), D9.0, FLANGE,SWRCH10A	4	SC	
28-2	DA63-02617A	GROMMET COMP	USP05,EPDM,OD27.0,BLACK	4	SA	
28-3	DA63-06122A	COVER RELAY	MSV,MPPPO,T2,BLACK,V-0	1	SNA	
28-4	DA63-06439A	GROMMET-STOPPER	NW2,SI,BLACK	1	SA	
29	DA97-16429A	ASSY HINGE-LOW LEFT	RF5500K (T-Type),6,BLACK PAINTING	1	SA	
29-1	DA61-10872A	HINGE-LOW LEFT	RF5500K,AI,T6.0,ALDC12 , BLACK PAINTING	1	SNA	
29-2	DA63-06410A	GROMMET HINGE-MID	AW3,POM,BLACK	1	SA	
29-3	DA60-10123C	BOLT-HEX	M6,L24,ZPC(WHT),SWRCH18A,HWH Head, 1018K	2	SA	
30	DA97-16430A	ASSY HINGE-LOW RIGHT	RF5500K (T-Type),6,BLACK PAINTING	1	SA	
30-1	DA61-10873A	HINGE-LOW RIGHT	RF5500K,AI,T6.0,ALDC12,BLACK PAINTING	1	SNA	
30-2	DA63-06410A	GROMMET HINGE-MID	AW3,POM,BLACK	1	SA	
30-3	DA60-10123C	BOLT-HEX	M6,L24,ZPC(WHT),SWRCH18A,HWH Head, 1018K	2	SA	

EXPLODED VIEW PART LIST

• RF50N5970B1/ES PART LIST

NO	CODE NO	PART NAME	Specification	Qty	SA/SNA
31	DA97-16516B	ASSY CAP DRAIN-FRE	RF5500K,PVC,T1.0,131	1	SA
31-1	DA67-01301A	CAP-DRAIN	AW4,HIPS,HB,S834S1,NATURAL	1	SA
32	DA60-90124A	RIVET	MSWR,L56	1	SA
33	DA60-10124A	BOLT-HEX	M6,L16,ZPC(WHT),SWRCH18A,HWH Head	2	SA
35	DA60-10124A	BOLT-HEX	M6,L16,ZPC(WHT),SWRCH18A,HWH Head	4	SA
36	DA97-16519K	ASSY CABI FRAME-BOTTOM	RF5500K,T TYPE,EMPIRE BLACK	1	SNA
36-1	DA61-02514B	CASTER-FRONT	RF5500,PP	1	SA
36-2	DA97-16702A	ASSY FOOT HINGE-LOW	RF5500K,BLACK,T TYPE	2	SA
37	DA60-10130B	SCREW-TAPPING	TH,-,M4.2,L13,ZPC(WHT),SWRCH18A,-,-	2	SA
38	DA97-17052A	ASSY CASE PCB-MAIN	RF5500K	1	SA
39	DA60-10130B	SCREW-TAPPING	TH,-,M4.2,L13,ZPC(WHT),SWRCH18A,-,-	2	SA
40	DA63-08943A	GROMMET	BRR9000M,NBR,CAP1 GROMMET	1	SA
41	DA60-00281A	FITTING LOKRING	SUM23,ID5.02,11SMnPb30K,St 56	1	SA
42	DA62-02507A	SEAL GUIDE PIPE	RB5000J,PE FOAM,T20,FIX DRYER/CAP1, Dinking	1	SA
43	DA61-02049A	FIXER-SCREW	SSEC,ZPC(WHT),BOLT,6*16	6	SA
41	DA60-00281A	FITTING LOKRING	SUM23,ID5.02,11SMnPb30K,St 56	1	SA
42	DA62-02507A	SEAL GUIDE PIPE	RB5000J,PE FOAM,T20,FIX DRYER/CAP1, Dinking	1	SA
43	DA61-02049A	FIXER-SCREW	SSEC,ZPC(WHT),BOLT,6*16	6	SA