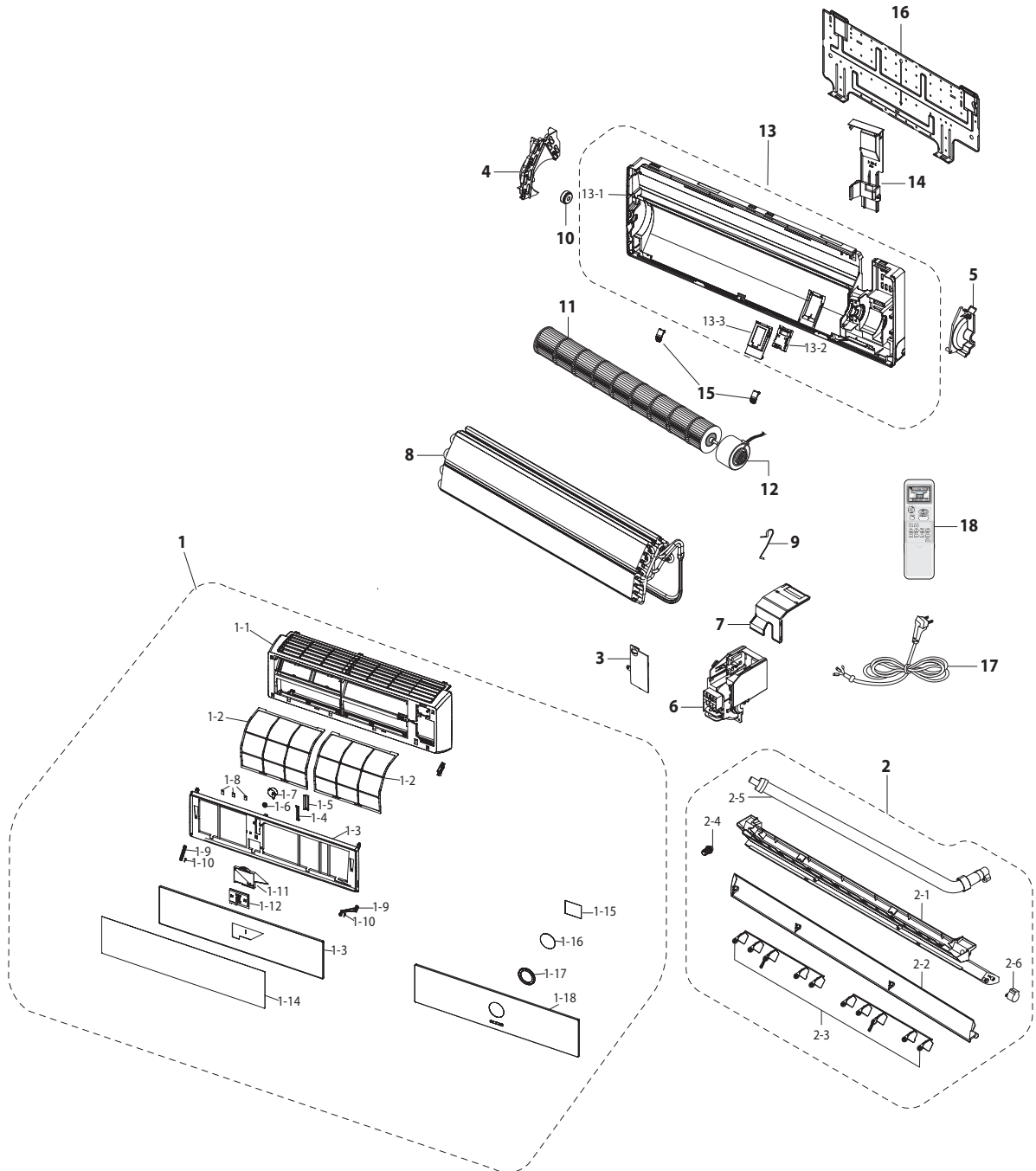


# 5. Exploded Views and Parts List

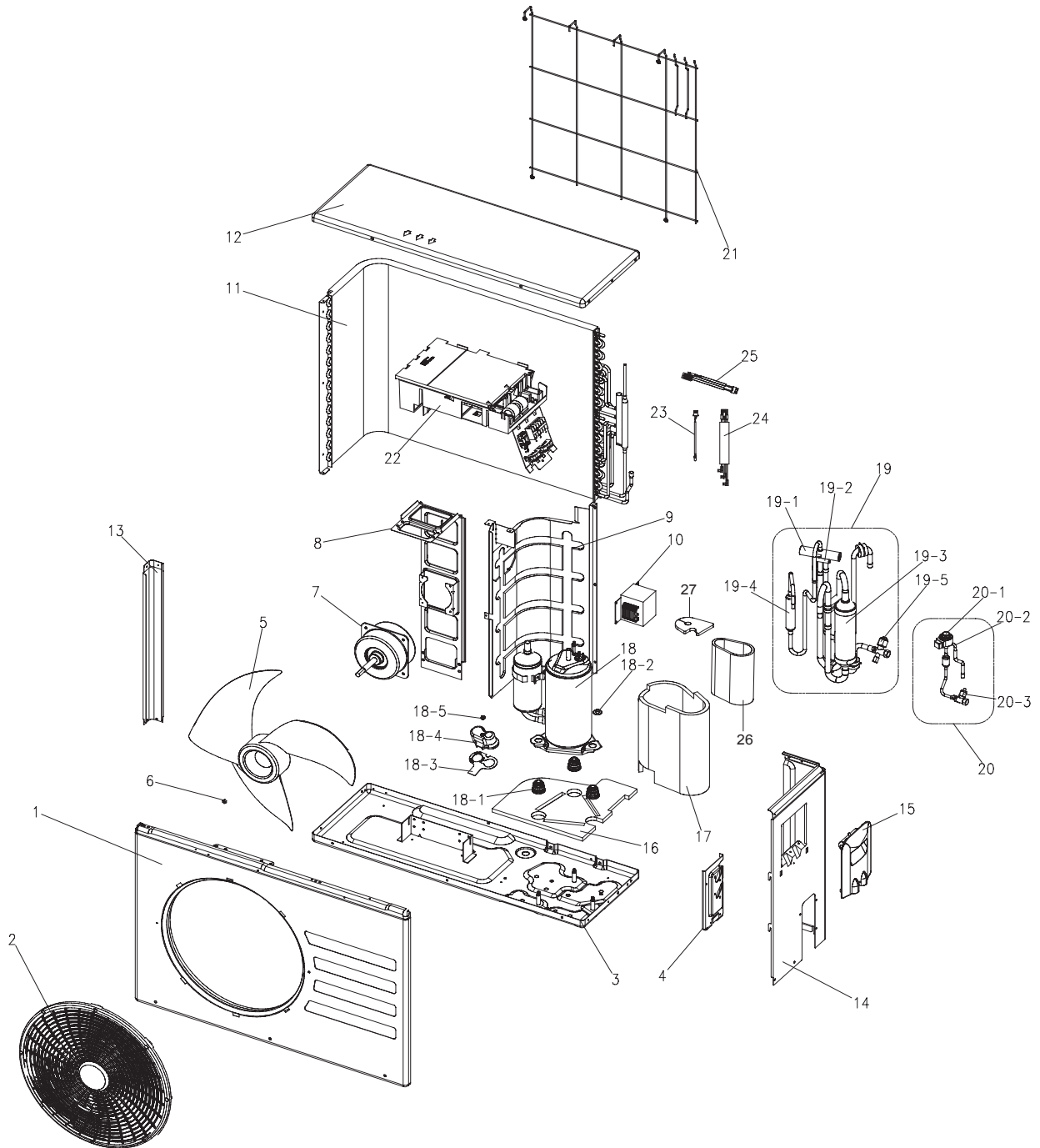
## 5-1 Indoor Unit



## ■ Parts List

No.	Code No.	Description	Specification	Q'TY		SA/SNA
				AQV18VBCN	AQV24VBCN	
1	DB92-01086G	ASSY PANEL FRONT	ASS'Y	1	1	SA
1-1	DB64-01638A	PANEL FRONT	HIPS	1	1	SA
1-2	DB63-01594B	FILTER PRE	PP	2	2	SA
1-3	DB64-01639A	PANEL MID	HIPS	1	1	SNA
1-4	DB66-01152A	LINK GRILLE	POM	1	1	SNA
1-5	DB66-01156A	GEAR RACK	POM	1	1	SNA
1-6	DB66-01155A	GEAR PINION	POM	1	1	SNA
1-7	DB31-00369B	ASSY MOTOR STEPPING	220-240V~, 50/60Hz, Class E	1	1	SA
1-8	DB61-03156A	HOLDER WIRE	PC	3	3	SNA
1-9	DB66-01176A	LINK SUPPORT	POM	4	4	SNA
1-10	DB61-03139C	SPRING GRILLE	STS304	2	2	SNA
1-11	DB63-01630A	COVER DISPLAY	ABS	1	1	SNA
1-12	DB93-04452F	ASSY DISPLAY	ASS'Y	1	1	SA
1-13	DB61-02913A	FRAME GRILLE	HIPS	1	1	SA
1-14	DB92-01202D	ASSY WINDOW MIRROR		1	1	SA
	DB61-02913A	ASSY WINDOW GRILLE	ACRYL	-	-	SA
2	DB94-01245A	ASSY TRAY DRAIN	ASS'Y	1	1	SA
2-1	DB63-01581A	TRAY DRAIN	ABS	1	1	SNA
2-2	DB61-02914A	BLADE H	HIPS	1	1	SA
2-3	DB61-01976A	BLADE V	PP	2	2	SA
2-4	DB73-00180A	RUBBER CAP DRAIN	GUM-EPM	1	1	SNA
2-5	DB94-00458B	ASSY DRAIN HOSE	ASS'Y	1	1	SA
2-6	DB31-00370A	MOTOR STEP	220-240V~, 50/60Hz, Class E	1	1	SA
3	DB63-01063C	COVER TERMINAL	ABS V0	1	1	SA
4	DB63-01065A	COVER BEARING	ABS	1	1	SNA
5	DB96-03817A	ASSY EVAP SUPPORT	ASS'Y	1	1	SA
6	DB93-05869A	ASSY CONTROL IN	ASS'Y	1	1	SA
7	DB90-02082A	ASSY COVER PCB	ASS'Y	1	1	SNA
8	DB96-06587E	ASSY EVAP TOTAL	ASS'Y	1	-	SNA
	DB96-06587F			-	1	SNA
9	DB67-60030A	SPRING SENSOR	STS304	1	1	SNA
10	DB94-00455A	ASSY BEARING RUBBER	ASS'Y	1	1	SNA
11	DB94-00456B	ASSY CROSS FAN	ASS'Y	1	1	SA
12	DB31-00267A	MOTOR FAN IN	220-240V~, 50/60Hz, Class E	1	1	SA
13	DB94-01153B	ASSY BODY BACK	ASS'Y	1	1	SA
13-1	DB61-03029A	BODY BACK	HIPS	1	1	SNA
13-2	DB93-04230A	ASSY COMPACT MPI	ASS'Y	1	1	SA
13-3	DB63-01583A	COVER MPI	HIPS	1	1	SNA
14	DB61-01981B	HOLDER PIPE	HIPS	1	1	SNA
15	DB67-00499C	CAP SCREW	HIPS	3	3	SNA
16	DB70-00505A	PLATE HANGER	SGCC-M	1	1	SNA
18	DB93-04700P	ASSY REMOCON	ARH-1346	1	1	SNA

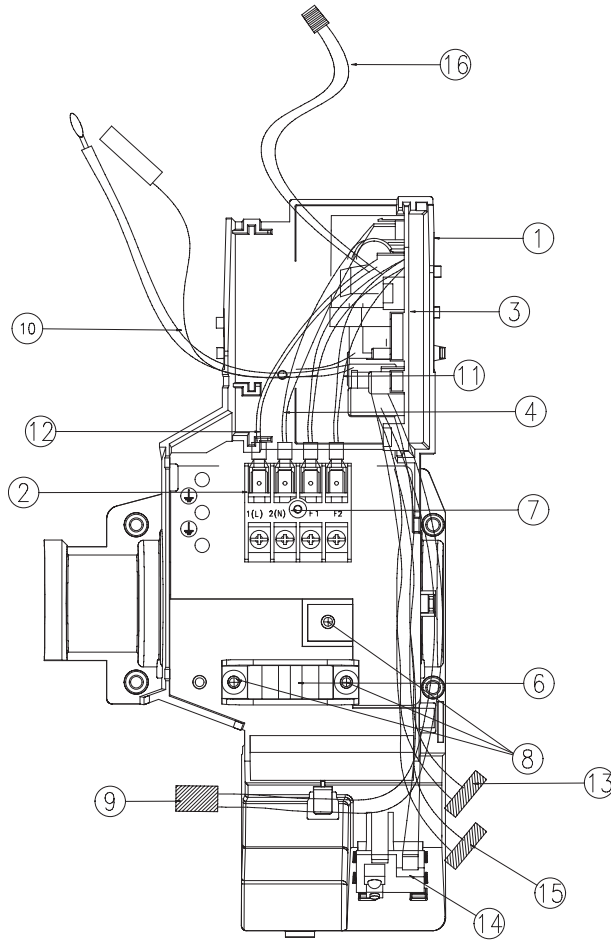
## 5-2 Outdoor Unit



## ■ Parts List

No.	Code No.	Description	Specification	Q'TY		SA/SNA
				AQV18VBCX	AQV24VBCX	
1	DB90-03914A	ASS'Y CABI FRONT	ASS'Y, SC-94445T	1	1	SA
2	DB63-00838A	GUARD FAN	HIPS, SC-90073R	1	1	SA
3	DB90-00970V	ASS'Y BASE OUT	ASS'Y, SC-94445T	1	1	SA
4	DB61-01593A	BRACKET VALVE	SECC-P, SC-94445T	1	1	SA
5	DB67-00142A	FAN-PROPELLER	AS+G/F20%, Ø420	1	1	SA
6	DB60-30020A	SCREW-MACHINE	M6	1	1	SA
7	DB31-00264D	MOTOR FAN OUT	AC Motor	1	1	SA
8	DB61-00686A	BRACKET MOTOR	SGCC-M	1	1	SA
9	DB94-01210B	ASS'Y PARTITION	ASS'Y, SGCC-M	1	1	SA
10	DB27-00043A	REACTOR	PPS, 20A	1	1	SA
11	DB96-04087B	ASS'Y COND UNIT	ASS'Y	1	1	SA
12	DB90-10616G	ASS'Y CABI UP	ASS'Y, SC-94445T	1	1	SA
13	DB63-00692A	GUARD COND	SECC-P, SC-94445T	1	1	SA
14	DB90-01651E	ASS'Y CABINET SIDE RH	ASS'Y, SC-94445T	1	1	SA
15	DB63-10490B	COVER CONTROL	ABS, SC-90073R	1	1	SA
16	DB63-01719A	FELT COMP BASE	FELT+PVC Sheet	1	1	SA
17	DB63-01668A	FELT COMP SIDE	FELT+PVC Sheet	1	1	SA
18	G8T260FUAEW	COMPRESSOR	ROTARY, BLDC	1	1	SNA
18-1	DB63-00815A	GROMMET ISOLATOR	NR	3	3	SNA
18-2	DB60-30028A	SCREW HEX	M8	3	3	SNA
18-3	DB63-00817A	GASKET	EPDM	1	1	SNA
18-4	DB63-00816A	COVER TERMINAL	PBT (G/F 15%)	1	1	SNA
18-5	6021-001142	SCREW MACHINE	M5	1	1	SNA
19	DB96-08939B	ASS'Y VALVE 4WAY	ASS'Y	1	-	SA
	DB96-08939A			-	1	
19-1	DB62-02338A	4WAY VALVE	R410A, SANHUA	1	1	SNA
19-2	DB33-00002C	SOLENOID COIL	ASS'Y	1	1	SNA
19-3	DB67-00765A	ACCUMULATOR	STEEL ACCUM.	1	1	SNA
19-4	DB97-02054A	TUBE MUFFLER	C1220T-0	1	-	SNA
19-5	DB62-02285A	VALVE SERVICE	R410A, SANHUA, 1/2"	1	-	SNA
	DB62-02342A		R410A, SANHUA, 5/8"	-	1	
20	DB96-09092A	ASS'Y VALVE EEV		1	1	SA
20-1	DB62-03964A	VALVE EXPANSION COIL	FUJIKOKI	1	1	SNA
20-2	DB62-02863A	VALVE EXPANSION BODY	FUJIKOKI	1	1	SNA
20-3	DB62-02283A	VALVE SERVICE	R410A, SANHUA, 1/4"	1	1	SNA
21	DB64-02083A	SCREEN-COND BAR	P.E.H 100%	1	1	SA
22	DB93-05539E	ASS'Y CONTROL OUT	ASS'Y	1	-	SA
	DB93-05539F	ASS'Y CONTROL OUT	ASS'Y	-	1	SA
23	DB32-00176A	THERMISTOR OUT/DIS	ASS'Y	1	1	SA
24	DB32-00175A	THERMISTOR COND	ASS'Y	1	1	SA
25	DB39-01301A	CONNECT WIRE COMP	ASS'Y	1	1	SA
26	DB63-02024A	FELT COMP SIDE OUT		1	1	SA
27	DB63-02025A	FELT COMP TOP		1	1	SA

## 5-3 Ass'y Control In : DB93-05869A



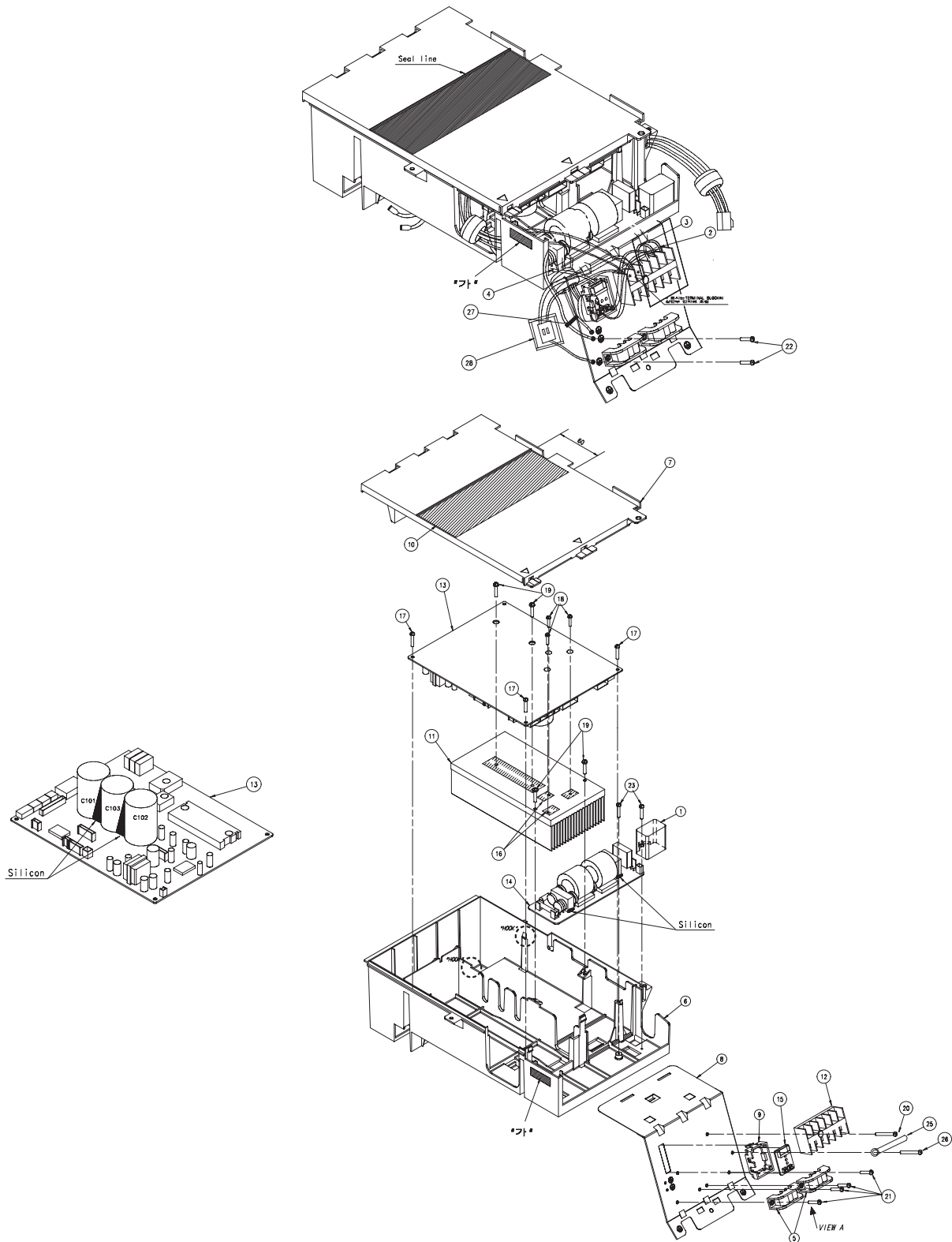
### Parts List

No.	Code No.	Description	Specification	Q'ty	SN/SNA
1	DB61-02912A	CASE-CONTROL	ABS	1	SA
2	DB65-00004U	TERMINAL BLOCK	ASSY	1	SNA
3	DB93-05877B	ASSY MAIN PCB	ASSY	1	SA
4	DB39-01210B	C/W POWER(N)	ASSY	1	SNA
5	DB70-00507A	PLATE TERMINAL LOW	SGCC-M T1.2	1	SNA
6	DB61-01097A	HOLDER WIRE CLAMP	ABS	1	SNA
7	6001-000929	SCREW MACHINE	PH M3*L22	1	SNA
8	6001-001054	SCREW MACHINE	TH M4*L10	3	SNA
9	DB93-04832A	C/W STEP MOTOR UP/DOWN	ASSY	1	SNA
10	DB32-00020E	ASSY THERMISTOR	4P (103T)	1	SA
11	DB39-01193A	COMM 485 WIRE	ASSY	1	SNA
12	DB39-00765T	C/W POWER(L)	LEAD WIRE	1	SNA
13	DB93-04622A	C/W DISPLAY	15P	1	SNA
14	DB93-04430A	ASSY MODULE PCB	ASSY	1	SNA
15	DB93-04484A	C/W STEP MOTOR AUTO GRILL	5P	1	SNA
16	DB93-04695A	C/W MPI	4P (103T)	1	SNA

# MEMO

# 5-4 Ass'y Control Out

■AQU18VBCX : DB93-05539E  
 AQU24VBCX : DB93-05539F



## ■ Parts List

No.	Code No.	DESC_SPEC	PARA1	PARA2	AQV18VBCX	AQV24VBCX	SA/SNA
					DB93-05539E	DB93-05539F	
1	DB93-05544E	ASSY-PCB OUT	ASSY PCB-OUTDOOR	AQV18VBCX	1	-	SNA
	DB93-05544F	ASSY-PCB OUT	ASSY PCB-OUTDOOR	AQV24VBCX	-	1	SNA
2	DB93-04267C	ASSY-PCB EMI	ASSY PCB-OUTDOOR	M2/F2/V2 - 24K	-	1	SNA
	DB93-04267D	ASSY-PCB EMI	ASSY PCB-OUTDOOR	M2/F2/V2 - 18K	1	-	SNA
3	DB93-04329A	ASSY PCB DISPLAY	ASSY PCB DISPLAY	24K/18K(SUB)	1	1	SNA
4	2301-001369	C-FILM,LEAD-OTHER	3.0uF	450V	1	-	SNA
	2301-001379	C-FILM,LEAD-OTHER	4.0uF	450V	-	1	SNA
5	DB93-04908D	CONNECT WIRE	MAIN POWRE TO INDOOR POWER	AWG #16	1	1	SNA
6	DB93-04337A	CONNECT WIRE	#2096 26 AWG	-	1	1	SNA
7	DB93-04334B	CONNECT WIRE	C/W REACTOR	*	1	1	SNA
8	DB62-05320A	ASSY-INSULATOR MICA	.	KFR-35GW/WCI	1	1	SNA
9	DB91-00306A	ASSY-SCREW MACHINE	SCREW	M3,L16	2	2	SNA
10	DB91-00307A	ASSY-SCREW MACHINE	SCREW	M4,L16	5	5	SNA
11	DB61-02973A	CASE CONTROL-BASE	CASE CONTROL BASE	ABS V0, T2.0, AS18BPBX	1	1	SNA
12	DB61-02974A	CASE CONTROL-COVER	CASE CONTROL COVER		1	1	SNA
13	DB61-02977A	PLATE-CONTROL OUT	PLATE-CONTROL OUT	AS18BPBX, SGCC-M	1	1	SNA
14	DB61-02975A	CASE-DISPLAY PCB	CASE DISPLAY PBA	ABS V0, T2.0	1	1	SNA
15	DB62-05315A	HEAT SINK	HEAT SINK	AQV24AWA	1	1	SNA
16	DB61-00250A	HOLDER WIRE CLAMP	HOLDER-WIRE CLAMP	*	2	2	SNA
17	DB61-00206B	HOLDER-WIRE	HOLDER-WIRE	GALVA-SBHG,BLK	1	1	SNA
18	DB62-04566B	INSULATION-CONTROL BOX TOP	FOAM-LEX	2	1	1	SNA
19	6002-000234	SCREW	TH +	M4,L10	4	4	SNA
	6003-000336	SCREW	TH +	M4,L10	2	2	SNA
20	6002-000630	SCREW	PH +	2S,M3,L8	4	4	SNA
21	6009-001001	SCREW	TH+	M4,L8	4	4	SNA
22	6002-000536	SCREW-TAPPING	PH+	M4,2S	1	1	SNA
23	6002-000555	SCREW-TAPPING	PH+	M4,2S,L25	1	1	SNA
24	6002-000231	SCREW-TAPPING	THH+	M4,2S,L12	1	1	SNA
25	DB95-01078F	ASSY-TERMINAL BLOCK	ASSY-TERMINAL BLOCK	250 TAB 6pin	1	1	SNA
	DB65-00228A	TERMINAL BLOCK	TERMINAL BLOCK		1	1	SNA
26	DB65-10088D	CABLE-TIE	NYLON66	L100MM	1	1	SNA
27	DB98-24813A	ASSY	THERMAL GREASE	Unit : gram	0.002	0.002	SNA
28	DB95-01040G	ASSY NOISE ABSORBER	100nF,275V		1	1	SNA