

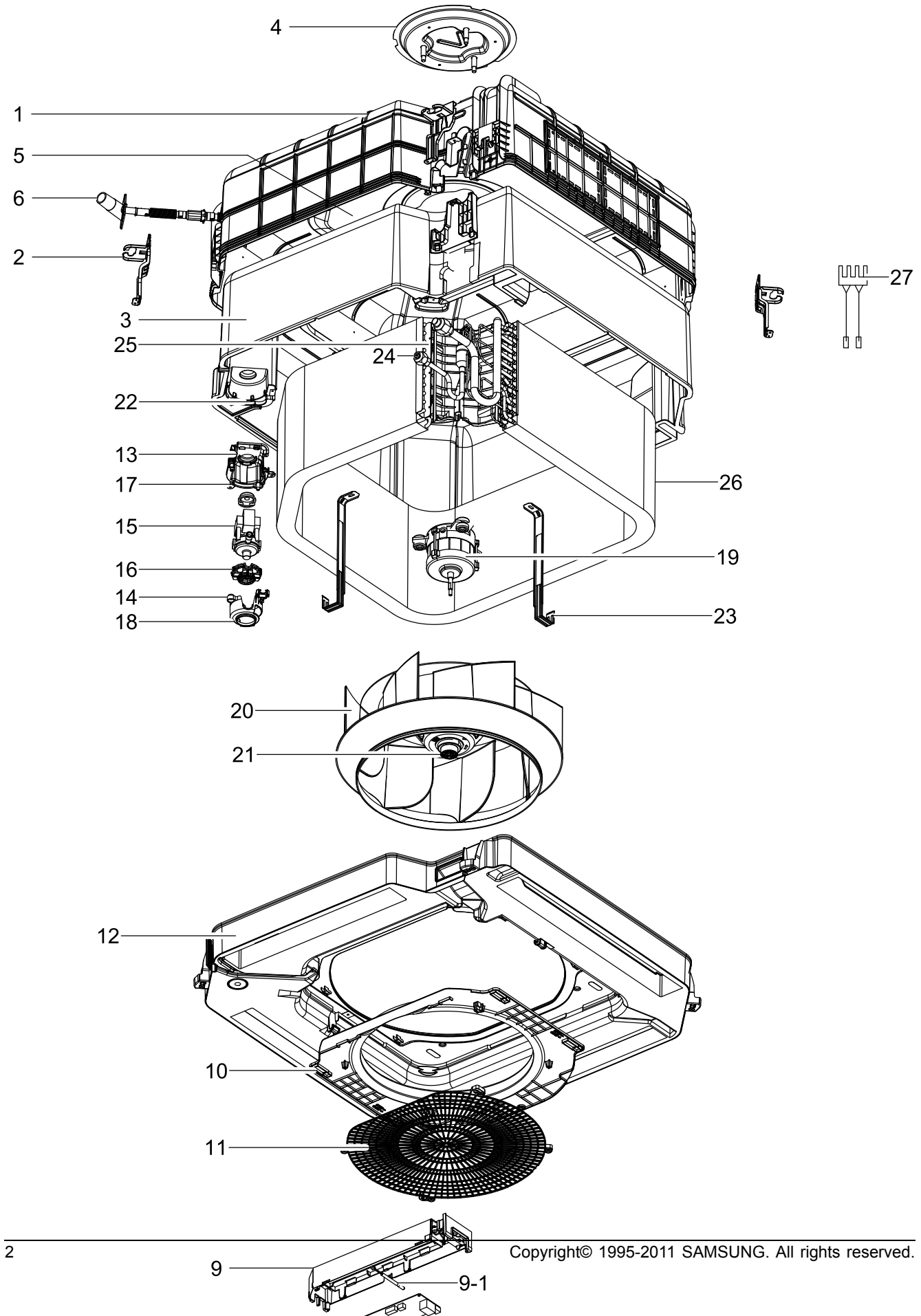
1. Title

Exploded View

Parts List

1.1. ND0714HXEASTK

Exploded View



Parts List

No.	Parent	Lvl.	Loc.	Material Code	Description & Specification	SNA	Qty.
1	DB90-06288A	3		DB61-04515A	CASE-CABI IN; Global 4W-CST,FRPP,T1.7,W83	SNA	1
2	DB90-06288A	3	P0229	DB61-04495A	PLATE-HANGER; Global 4W-CST,GI-SGCC,1.6T,	SA	4
3	DB90-06288A	3		DB63-02710A	CUSHION-CABI IN; Global 4W-CST,EPS,T10,W8	SNA	1
4	DB90-06288A	3	A2803	DB90-05821A	ASSY BRACKET MOTOR; Global 4W-CST	SNA	1
5	DB90-06256A	2		DB90-05829A	ASSY COVER-PIPE; Global 4WAY CST	SNA	1
6	DB90-06288A	3	A0948	DB94-03171A	ASSY DRAIN-SOCKET; GLOBAL 4W-CST	SA	1
7	DB93-12254A	2	P0348	DB61-04491A	PLATE-COVER CONTROL; VICTORY,GI-SGCC,0.5T	SNA	1
8	DB93-12286A	3	A1767	DB93-12266A	ASSY PCB MAIN-IN; DVM GLOBAL4WAY,MAIN PBA	SA	1
9	DB93-12254A	2	A0696	DB93-10648A	ASSY CONTROL IN; Global 4W-CST	SNA	1
9-1	DB93-10648A	3	A3189	DB95-04459A	ASSY THERMISTOR IN-ROOM; NS1404DXEA,103HW	SA	1
10	DB90-05871B	3		DB61-04496A	CASE-BELL MOUTH; Global 4W-CST,HIPS,T2.0,	SA	1
11	DB90-05871B	3		DB63-02702B	COVER-SAFETY; Global 4W-CST,ABS,3.0,414,I	SA	1
12	DB94-02665A	2	A0903	DB94-02667C	ASSY DRAIN PAN; Global 4W-CST	SA	1
13	DB94-02668A	3		DB61-04498A	CASE-PUMP; Global 4W-CST,HIPS,T2.0,139,98	SNA	1
14	DB94-02668A	3	C1564	DB63-02703A	COVER-PUMP; Global 4W-CST,HIPS,T2.0,81.2,	SA	1
15	DB94-02668A	3	D0117	DB67-00982C	DRAIN-PUMP; AIXCSH040B1,PBT,T 1.0,BLACK,J	SA	1
16	DB94-02668A	3		DB73-00521A	RUBBER-CAP PUMP; EPDM,58,24,40,GRAY BLUE	SA	1
17	DB94-02668A	3	R0184	DB73-00523A	RUBBER-BASE PUMP; NBR,36,H16.5,BLACK,30	SA	1
18	DB94-02668A	3	A2012	DB95-04462A	ASSY SENSOR FLOAT; NS1404DXEA,SW OFF: 6mm	SA	1
19	DB94-03091A	2	M0039	DB31-00578B	MOTOR FAN; FMC6531SSH,65W,DC310V,MAX IC 8	SA	1
20	DB94-03091A	2	A1151	DB94-03093A	ASSY FAN-TURBO; NS0714DXEA	SA	1
21	DB94-03091A	2		DB60-00406A	FASTENER-NUT FLANGE; Global 4W-CST,NSWR3,	SA	1
22	DB96-16153D	2		DB61-04517B	CASE-PARTITION EVAP; GLOBAL 4W-CST,HIPS,2	SNA	1
23	DB96-16153D	2		DB61-04518A	HOLDER-EVAP; Global 4W-CST,STAINLESS-STS4	SNA	2

Exploded Views and Parts List

No.	Parent	Lvl.	Loc.	Material Code	Description & Specification	SNA	Qty.
24	DB96-16063A	3	A2355	DB96-15994A	ASSY TUBE EVAP IN; ND0714HXEA,DVM Global	SA	1
25	DB96-16063A	3		DB96-16062A	ASSY COLLECTOR; ND0564HXEA,DVM G-4WAY SMA	SNA	1
26	DB96-16153D	2	A1061	DB96-16063A	ASSY EVAP UNIT; ND0714HXEA	SA	1
27	DB96-16153D	2		DB95-04461A	ASSY THERMISTOR IN-EVA IN OUT; NS1404DXEA	SA	1