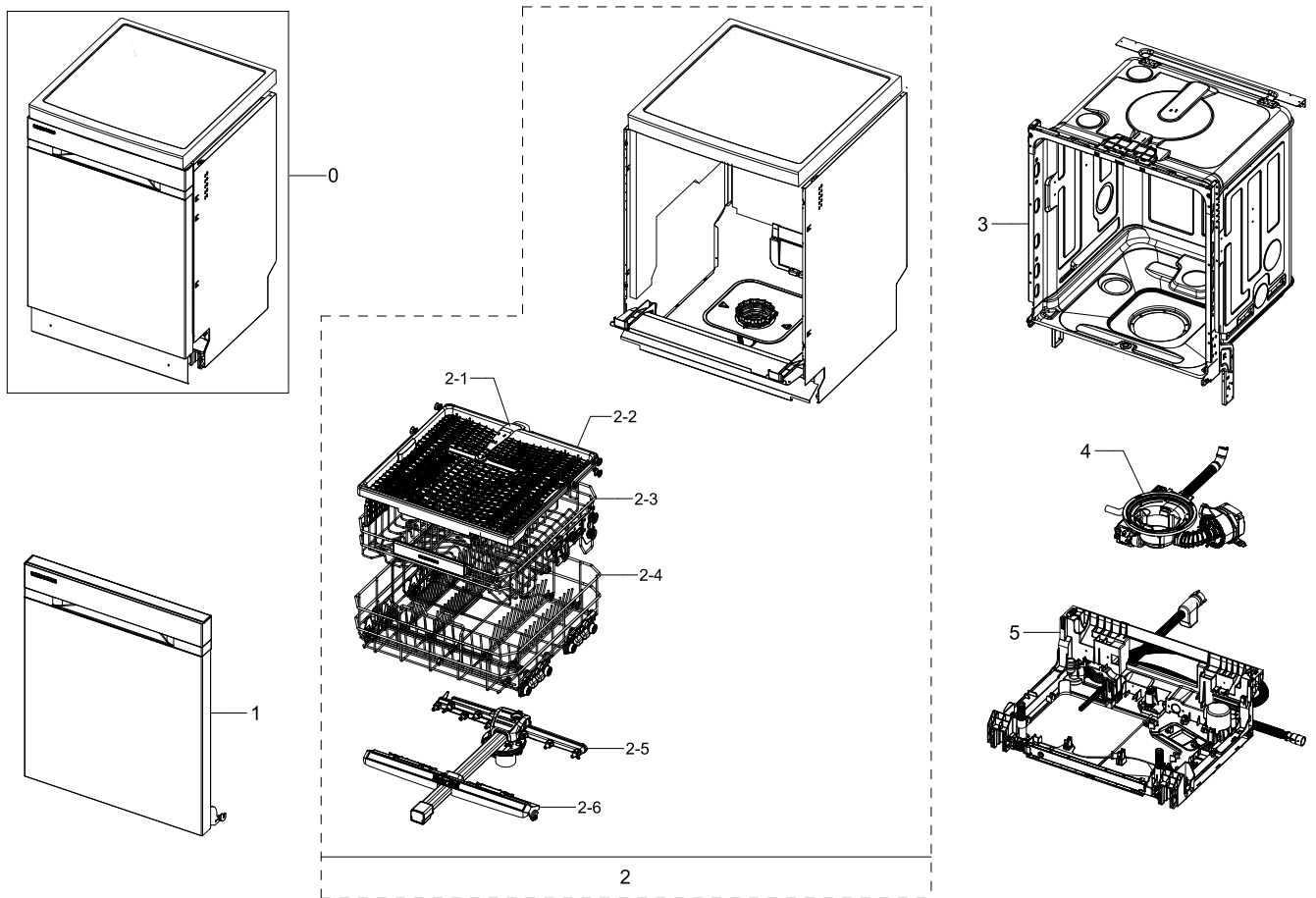


1. DW60M9550FS/EC

Exploded View



Parts List

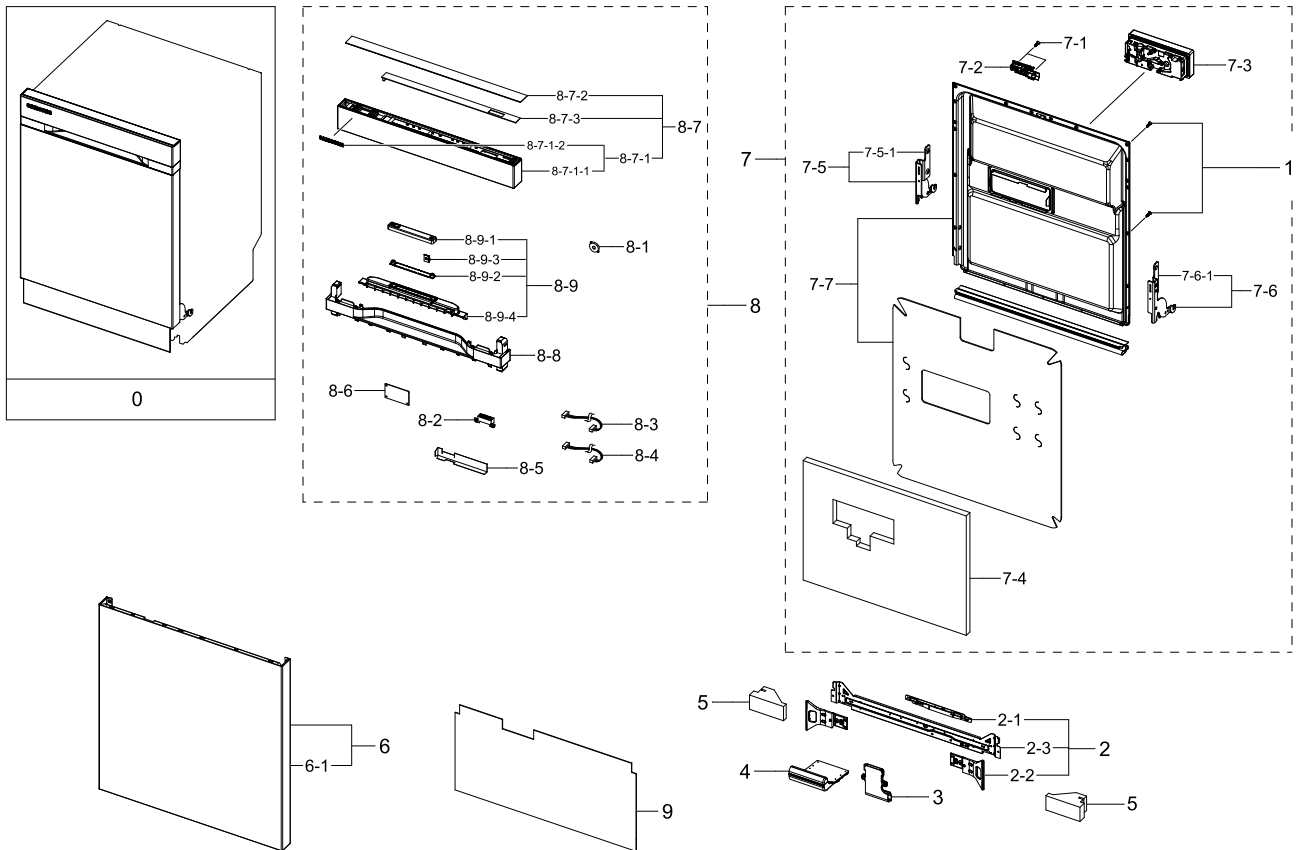
No.	Lvl.	Loc.	Material Code	Description & Specification	SNA	Qty.
1	1	D049	DD97-00578C	ASSY DOOR; DW9000M,9550,FW,SPAIN,POCKET L	SA	1
2	1		DD90-00624A	ASSY CASE PARTS; DW60M9550FW/EC,-	SNA	1
2-1	2		DD93-01017A	ASSY DUCT; DW9000M,COMMON	SA	1
2-2	2		DD97-00534A	ASSY BASKET 3RD; DW9000M,DW60M9970,-,-,-	SA	1
2-3	2		DD97-00536B	ASSY BASKET MIDDLE; DW9000M,PREMIUM,-,-,-	SA	1
2-4	2		DD97-00535B	ASSY BASKET LOWER; DW9000M,DW60M9550,-,-	SA	1
2-5	2		DD97-00484B	ASSY MOTION; DW9000M,DW60M9970	SA	1
2-6	2		DD97-00501C	ASSY VANE; DW9000M,DW60M9970	SA	1
3	1		DD97-00264N	ASSY TUB; DW9000M,FS,EU,C-RAIL,NO LED LAM	SA	1

Exploded Views and Parts List

No.	Lvl.	Loc.	Material Code	Description & Specification	SNA	Qty.
4	1		DD90-00634E	ASSY SUMP PARTS; DW9000M,EU,220-240V,ASSY	SNA	1
5	1		DD97-00533A	ASSY BASE; DW9000M,FS,SELV,ASSY GUIDE WAT	SA	1

2. Assy Door

Exploded View



Parts List

No.	Lvl.	Loc.	Material Code	Description & Specification	SNA	Qty.
0	1	D049	DD97-00578C	ASSY DOOR; DW9000M,9550,FW,SPAIN,POCKET L	SA	1
1	2	X033	6009-001777	SCREW-SPECIAL; SPECIAL FH,TORX,M4,L16,STS	SA	14
2	2		DD97-00566A	ASSY BRACKET FRAME-DOOR; DW9000M,COMMON	SA	1
2-1	3		DD61-00629A	BRACKET DOOR ADJUSTER; DW9000M,GI-SGCC,T1	SA	1
2-2	3		DD61-00626A	BRACKET DOOR; DW9000M,PP,Black,Recycle	SNA	2
2-3	3		DD61-00510A	BRACKET DOOR INNER; DW9000H,GI-SGCC,T1	SA	1
3	2		DD63-00151A	COVER-WIRE HARNESS DOOR; GALA-E,PP,BLACK,	SNA	1
4	2		DD63-00152A	COVER-WIRE HARNESS BASE; GALA-E,PP,BLACK,	SNA	1
5	2		DD63-00221B	CUSHION DUCT-LEFT; DW9900H,PU FOAM,T25,BL	SA	2

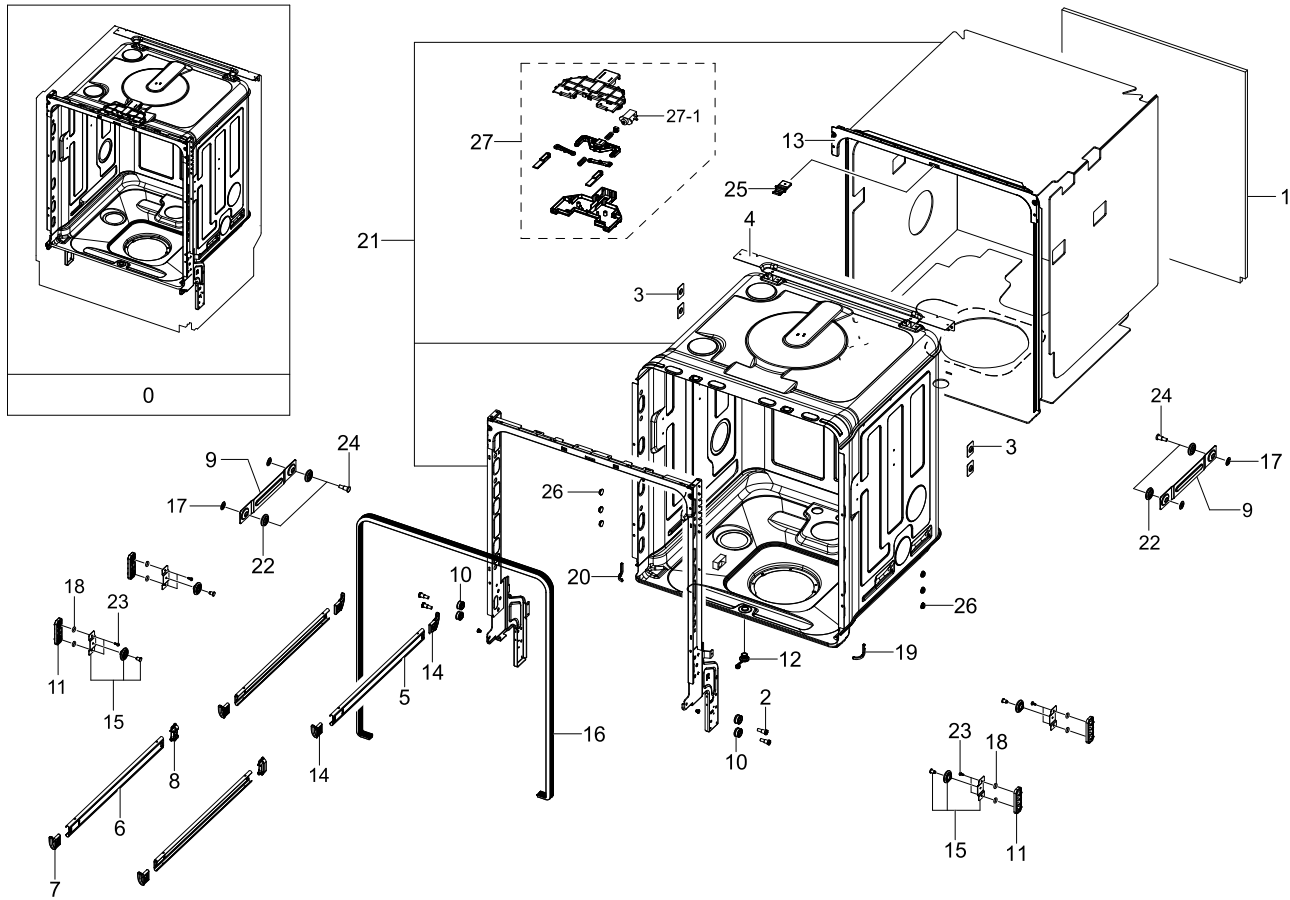
Exploded Views and Parts List

No.	Lvl.	Loc.	Material Code	Description & Specification	SNA	Qty.
6	2		DD97-00309B	ASSY DOOR-OUTER; DW9000M,FW,EGI-SECC,T0.6	SA	1
6-1	3		DD64-00164A	DOOR OUTER; DW60H9950FW,EGI-SECC,T0.6,DA	SA	1
7	2		DD97-00584A	ASSY DOOR INNER; DW9000H,FS,BU,FELT,T40	SA	1
7-1	3	X033	6009-001777	SCREW-SPECIAL; SPECIAL FH,TORX,M4,L16,STS	SA	2
7-2	3		DD34-00007A	SWITCH DOOR; DC12V,0.01	SA	1
7-3	3		DD59-01002A	DISPENSER-SLIDE; GALA-E,AC 110/240V,50/60	SA	1
7-4	3		DD63-00341A	ABSORBER-DOOR; DW9000M,FELT,T40,LIGHT WAR	SA	1
7-5	3		DD97-00251A	ASSY HINGE-LEFT; DW9900H,COMMON,PO-SPHC,C	SA	1
7-5-1	4	A079	DD61-00463A	HINGE-LEFT; DW9900H,PO-SPHC,T3,Coating ED	SA	1
7-6	3		DD97-00252A	ASSY HINGE-RIGHT; DW9900H,COMMON,PO-SPHC,	SA	1
7-6-1	4	A078	DD61-00464A	HINGE-RIGHT; DW9900H,PO-SPHC,T3,Coating E	SA	1
7-7	3		DD97-00411A	ASSY DOOR INNER; DW9000H,FS,BU,COMMON,SUB	SA	1
8	2		DD97-00587C	ASSY PANEL BOX; DW9000M,9550,FW,SPAIN,MAS	SA	1
8-1	3	C197	DE96-00686B	ASSY BUZZER; E-OVEN,KPR-G3020-450,450mm,2	SA	1
8-2	3	Y040	DD07-00017B	LED DISPLAY; 8S,4D,DW9900M,IBL,Connector	SA	1
8-3	3	M033	DD39-00013E	WIRE HARNESS-SUB; UL1569,20,DW9500M,Assy	SA	1
8-4	3	M033	DD39-00013K	WIRE HARNESS-SUB; UL1569,20,DW9000M_Pre_t	SA	1
8-5	3		DD63-00261A	PROTECTOR; DW9900H,PET,T0.2,-	SA	1
8-6	3		DD92-00058B	ASSY MODULE; DISPLAY_CONTROL,DW9900M,Opti	SA	1
8-7	3		DD97-00595B	ASSY PANEL CONTROL; DW9000M,9550,FW,MASCO	SA	1
8-7-1	4		DD97-00304B	ASSY COVER FRONT; DW9000M,FS,WHITE,-,-,-	SA	1
8-7-1-1	5		DD64-00163B	PANEL CONTROL; DW9000M,ABS,HG-0760GP,DA W	SA	1
8-7-1-2	5		DA64-04019B	MASCOT; ALL,Ni,T0.06,L65	SA	1
8-7-2	4		DD64-00200A	WINDOW PANEL; DW60M9550FW,PC,3022IR,NATUR	SNA	1
8-7-3	4		DD92-00065A	ASSY MODULE; TOUCH,DW9000M,EU / FBI,Yes	SA	1

No.	Lvl.	Loc.	Material Code	Description & Specification	SNA	Qty.
8-8	3	D019	DD64-00158C	HANDLE DOOR; DW8500K,ABS,GP-35,DA WHITE	SA	1
8-9	3		DD97-00476A	ASSY WINDOW PANEL; DW9900H,POCKET LIGHT,D	SA	1
8-9-1	4		DD61-00493A	HOLDER DISPLAY PCB; DW9900H,ABS,DA WHITE,	SA	1
8-9-2	4	C009	DD64-00153A	WINDOW DISPLAY; DW9900H,PC,3022IR,5g	SA	1
8-9-3	4		DD92-00044A	ASSY MODULE; DW80H9930US,DW9900HA, Pocket	SA	1
8-9-4	4	D147	DD63-00280A	COVER HANDLE; DW9000H,ABS,DA WHITE,(WT003	SA	1
9	2		DD67-00094B	RUBBER SKIRT; GALA-E,EPDM,BLACK,DENSITY 1	SA	1

3. Assy Tub

Exploded View



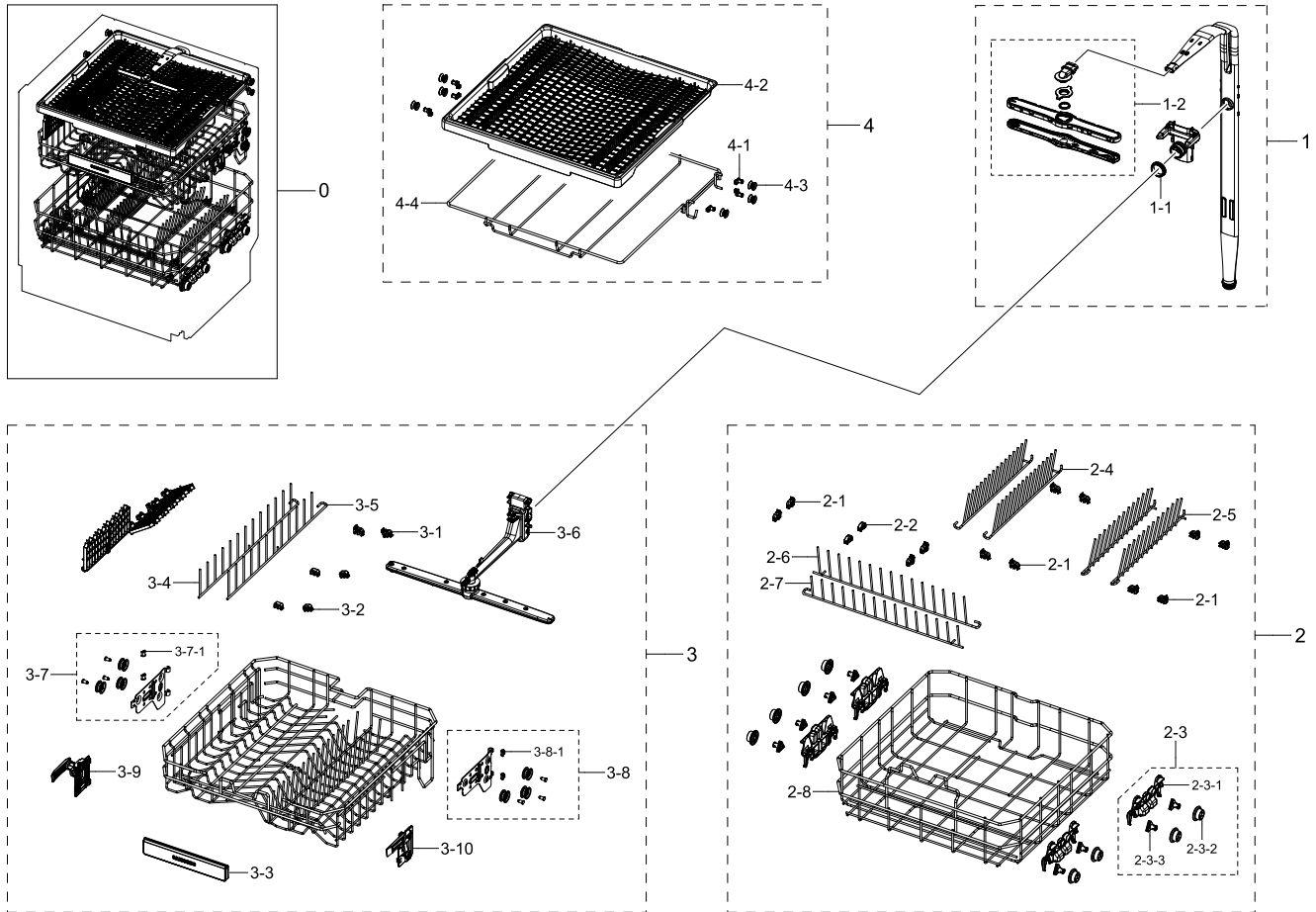
Parts List

No.	Lvl.	Loc.	Material Code	Description & Specification	SNA	Qty.
0	1		DD97-00264N	ASSY TUB; DW9000M,FS,EU,C-RAIL,NO LED LAM	SA	1
1	2		DD01-01003A	FILM-PAPER BACK; GALA-E,PAPER,T0.015,W412	SNA	1
2	2	F093	6011-001641	BOLT-HEX; M6,L24(11),ZPC(WHT),SWRCH18A,-	SA	4
3	2	F094	DD61-00185A	HOLDER BOLT; GALA-E,MSWR-SWRM,M6 3.0T	SA	4
4	2	M191	DD61-00318A	BRACKET-TOP PLATE; GALA-E,COMMON,GI-SGCC,	SA	1
5	2		DD61-00325A	BRACKET 3RD-RAIL; GALA-E,PREMIUM,BEST,STA	SA	2
6	2		DD61-00329A	BRACKET RAIL-MID; GALA-E,COMMON,STS304,T0	SA	2
7	2		DD61-00355A	HOLDER-RAIL MIDDLE FRONT; COMMON,POM,INNE	SA	2

No.	Lvl.	Loc.	Material Code	Description & Specification	SNA	Qty.
8	2		DD61-00356A	HOLDER-RAIL MIDDLE BACK; GALA-E,COMMON,PO	SA	2
9	2		DD61-00387A	BRACKET-TUB 3RD; GALA-E,PREMIUM,BEST,STAI	SA	2
10	2		DD66-00020A	ROLLER HINGE; GALA-E,POM,OD20.3,NATURAL,F	SA	4
11	2		DD61-00400A	HOLDER-BRACKET RAIL; DW9000H,DW8000J,POM,	SA	4
12	2		DD61-00453A	FIXER RUBBER; DW9900H,EPDM,BLACK	SA	1
13	2	P426	DD63-00215B	COVER FRONT; STS304,T0.4	SNA	1
14	2		DD61-00526A	HOLDER RAIL 3RD; DW9000H,POM,INNER GRAY,F	SA	4
15	2		DD97-00387B	ASSY ROLLER; DW9900M,COMMON,-,-,-,-	SA	4
16	2		DD62-00097C	SEAL TUB PACKING; GALA-E,TPV,-,-, Santopre	SA	1
17	2		DD62-00099A	SEAL-3RD RACK; GALA-E,EPDM	SA	4
18	2		DD62-00109A	SEAL-BRACKER RAIL; DMT800/DMT400,EPDM,BLA	SA	8
19	2		DD63-00225A	COVER TUB EDGE-RIGHT; DW9900H,PP,BLACK,RM	SA	1
20	2		DD63-00238A	COVER TUB EDGE-LEFT; DW9900H,PP,BLACK,RM6	SA	1
21	2		DD97-00286J	ASSY TUB SUB; DW9000M,DW60M9970	SNA	1
22	2		DD66-00078A	ROLLER-3RD TUB; GALA-E,POM,OD22,INNER GRA	SA	4
23	2	X009	6002-001435	SCREW-TAPPING; TH,+,2,M4,L12,PASS,STS304	SNA	8
24	2		DD66-00096A	SHAFT-BASKET TUB 3RD; GALA-E,STAINLESS-ST	SA	4
25	2		DD66-00133A	LEVER DOOR; DW9900H,ZNDC	SA	1
26	2		DD67-00074A	CAP DOOR GUIDE; GALA-E,POM,F20-03,LIGHT W	SA	4
27	2		DD97-00256A	ASSY COVER DOOR SWITCH; DW9000H,-,-,-,-,-	SA	1
27-1	3	F164	DD66-00089A	ACTUATOR THERMAL; GALA-E,POM,PUSH TYPE,AC	SA	2

4. Assy Case Parts Assy Basket&Duct

Exploded View



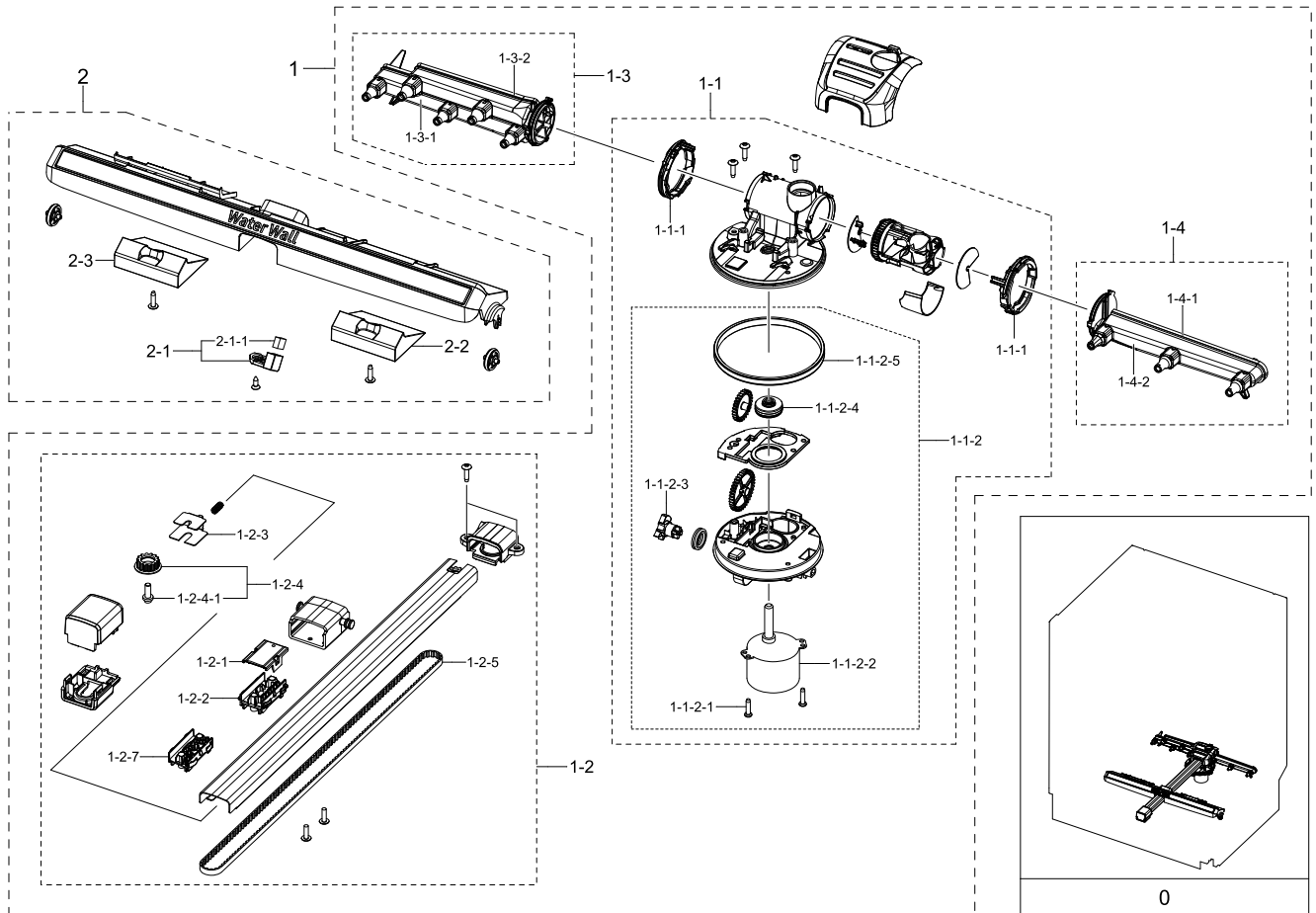
Parts List

No.	Lvl.	Loc.	Material Code	Description & Specification	SNA	Qty.
1	2		DD93-01017A	ASSY DUCT; DW9000M,COMMON	SA	1
1-1	3		DD62-00145A	SEAL HOLDER DUCT-MIDDLE; DW9900M,EPDM,BLA	SA	1
1-2	3		DD97-00509A	ASSY ROTOR UPPER; DW9900M,COMMON	SA	1
2	2		DD97-00535B	ASSY BASKET LOWER; DW9000M,DW60M9550,-,-,	SA	1
2-1	3		DD61-00348A	HOLDER-TINE BACK; GALA-E,POM,F20-03,NCGO5	SA	12
2-2	3		DD61-00349A	HOLDER-TINE FRONT; GALA-E,POM,F20-03,NCGO	SA	2
2-3	3		DD97-00507A	ASSY ROLLER-LOW; DW9900M,COMMON	SA	4
2-3-1	4		DD61-00580A	GUIDE ROLLER-LOW; DW9900M,PP,MT43,LIGHT W	SA	4
2-3-2	4		DD66-00076A	ROLLER-BASKET LOWER; GALA-E,PP,LIGHT WARM	SA	8

No.	Lvl.	Loc.	Material Code	Description & Specification	SNA	Qty.
2-3-3	4		DD66-00181A	SHAFT ROLLER-LOW; DW9900M,POM,INNER GRAY,	SA	8
2-4	3		DD66-00154A	WIRE FOLDING-REAR LEFT; DW9000H,MSWR-SWRM	SA	2
2-5	3		DD66-00155A	WIRE FOLDING-REAR RIGHT; DW9000H,MSWR-SWR	SA	2
2-6	3		DD66-00156A	WIRE FOLDING-FRONT LEFT; DW9000H,MSWR-SWR	SA	1
2-7	3		DD66-00157A	WIRE FOLDING-FRONT RIGHT; DW9000H,MSWR-SW	SA	1
2-8	3		DD67-00155A	BASKET LOWER; DW9000M,MSWR,T5.5,GRAY,NYLO	SA	1
3	2		DD97-00536B	ASSY BASKET MIDDLE; DW9000M,PREMIUM,-,-,-	SA	1
3-1	3		DD61-00348A	HOLDER-TINE BACK; GALA-E,POM,F20-03,NCGO5	SA	2
3-2	3		DD61-00473A	HOLDER TINE-UP; DW9900,POM,INNER GRAY,HB,	SA	4
3-3	3		DD64-00176E	HANDLE BASKET; DW9000M,PP,MT43,DARK NAVY	SA	1
3-4	3		DD67-00156A	WIRE FOLDING-LEFT; DW9000M,MSWR,T4.5,GRAY	SA	1
3-5	3		DD67-00157A	WIRE FOLDING-RIGHT; DW9000M,MSWR,T4.5,GRA	SA	1
3-6	3		DD94-01116A	ASSY ROTOR MID; GALA-E,COMMON	SA	1
3-7	3		DD97-00355C	ASSY BRACKET ADJUSTER-LEFT; DW9900M,C-RAI	SA	1
3-7-1	4		DD61-00474A	SUPT BRACKET; DW9900H,POM,HB,F20-03,INNER	SA	2
3-8	3		DD97-00356C	ASSY BRACKET ADJUSTER-RIGHT; DW9900M,C-RA	SA	1
3-8-1	4		DD61-00474A	SUPT BRACKET; DW9900H,POM,HB,F20-03,INNER	SA	2
3-9	3		DD97-00510A	ASSY BASKET ADJUSTER L; DW9900M,COMMON,-,	SA	1
3-10	3		DD97-00511A	ASSY BASKET ADJUSTER R; DW9900M,COMMON,-,	SA	1
4	2		DD97-00534A	ASSY BASKET 3RD; DW9000M,DW60M9970,-,-,-,	SA	1
4-1	3		DD61-00457A	HOLDER ROLLER; DW9900H,POM,LIGHT WARM GRA	SA	6
4-2	3		DD61-00523A	BASKET 3RD; DW9000H,PA6,LIGHT WARM GRAY,H	SA	1
4-3	3		DD66-00188A	ROLLER-RAIL UP; DW9000M,PP,LIGHT WARM GRA	SA	6
4-4	3		DD67-00159A	WIRE FRAME 3RD; DW9000M,MSWR,T5,NYLON11,0	SA	1

5. Assy Case Parts Assy Motion&Vane

Exploded View



Parts List

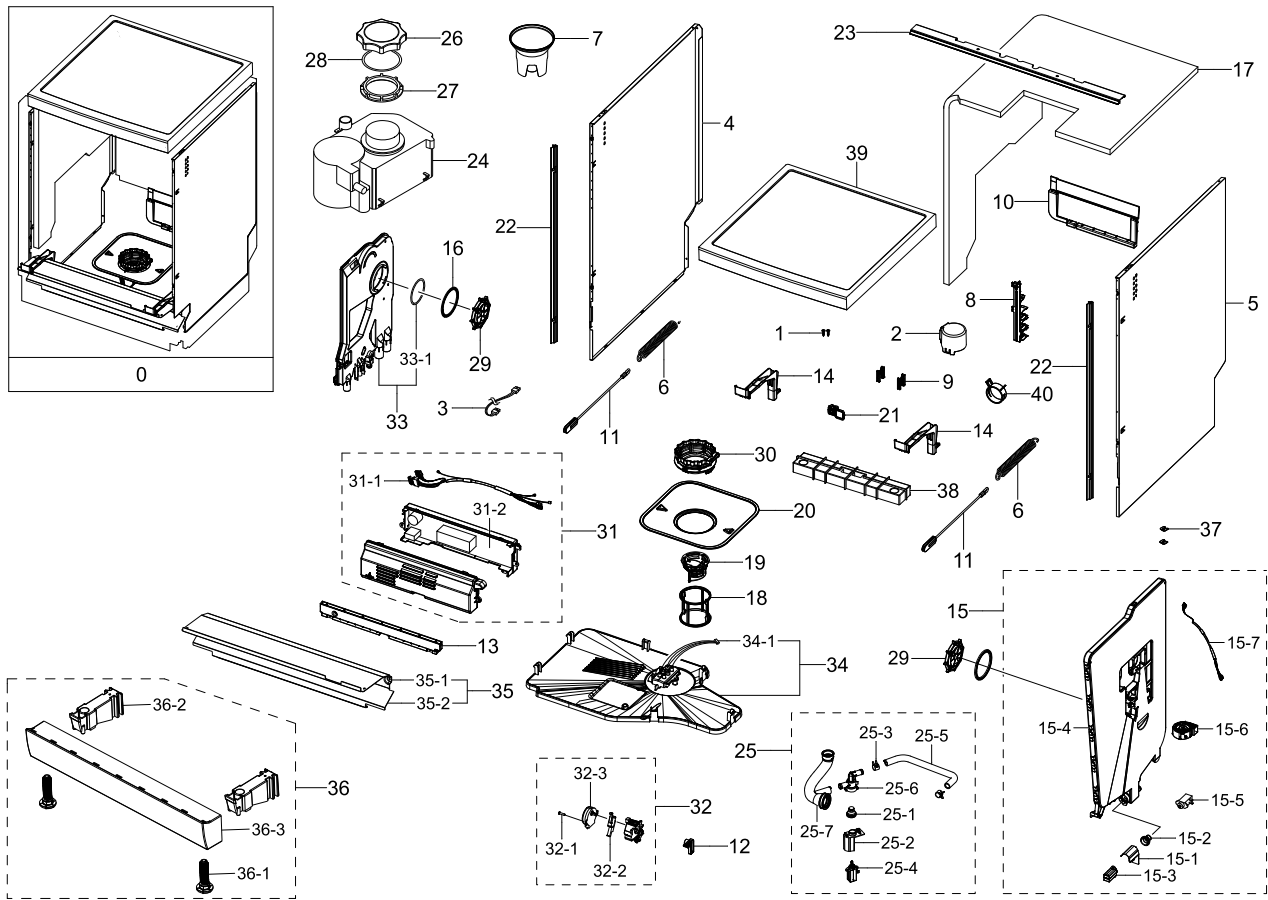
No.	Lvl.	Loc.	Material Code	Description & Specification	SNA	Qty.
1	2		DD97-00484B	ASSY MOTION; DW9000M,DW60M9970	SA	1
1-1	3		DD97-00496B	ASSY GUIDE WATER; DW9000M,DW60M9970	SNA	1
1-1-1	4		DD62-00153A	NOZZLE CONNECTOR; DW9900M,POM,INNER GRAY,	SA	2
1-1-2	4		DD97-00506B	ASSY COVER NOZZLE; DW9000M,DW60M9970	SNA	1
1-1-2-1	5		6003-001284	SCREW-TAPTTYPE; PH,+,B,M4,L16,PASS,STS304	SA	2
1-1-2-2	5		DD31-00013C	MOTOR GEARED; SRM-36HR,25/30 RPM,3.5/4kgf	SA	1
1-1-2-3	5		DD32-00011A	SENSOR-VANE; DW80H9000,5VDC,HALL IC type	SA	1
1-1-2-4	5	F178	DD62-00053A	SEAL-OIL; DMR78,NBR,BLK,R-PJT	SA	1
1-1-2-5	5	F207	DD62-00054A	SEAL DISTRIBUTER; GALA-E,Si,BLK	SA	1
1-2	3		DD97-00500B	ASSY RAIL; DW9000M,DW60M9970	SNA	1

Exploded Views and Parts List

No.	Lvl.	Loc.	Material Code	Description & Specification	SNA	Qty.
1-2-1	4		DD63-00285A	COVER HOLDER; DW9000H,POM,NATURAL,F20-03,	SA	1
1-2-2	4		DD61-00441A	HOLDER BELT; DW9900H,POM,NATURAL,F20-03,N	SA	1
1-2-3	4		DD61-00443A	BRACKET IDLER; DW9900H,STAINLESS-ST304,T	SA	1
1-2-4	4		DD66-00105A	PULLEY MOTOR-LOW; DW9900H,POM,NATURAL,F20	SNA	1
1-2-4-1	5		DD61-00462A	GUIDE PIN; DW9900H,STS304,T3	SA	1
1-2-5	4		DD66-00144B	BELT V-TIMING; TPE,-,-,-,NATURAL,L900	SA	1
1-2-7	4		DD61-00514A	HOLDER BELT; DW9000H,POM,NATURAL,F20-03,N	SA	1
1-3	3		DD97-00502A	ASSY NOZZLE-LEFT; DW9900M,COMMON	SA	1
1-3-1	4		DD62-00150A	NOZZLE-UP LEFT; DW9900M,PP,LIGHT WARM GRA	SA	1
1-3-2	4		DD62-00152A	NOZZLE-LOW LEFT; DW9900M,PP,VITALITY ORAN	SA	1
1-4	3		DD97-00503A	ASSY NOZZLE-RIGHT; DW9900M,COMMON	SA	1
1-4-1	4		DD62-00147A	NOZZLE-LOW RIGHT; DW9900M,PP,VITALITY ORA	SA	1
1-4-2	4		DD62-00151A	NOZZLE-UP RIGHT; DW9900M,PP,LIGHT WARM GR	SA	1
2	2		DD97-00501C	ASSY VANE; DW9000M,DW60M9970	SA	1
2-1	3		DD97-00395A	ASSY PLASTIC SUPPORTOR; DW9000H	SA	1
2-1-1	4		DC61-03184A	MAGNET R.S; ORCA WASHER,FERRITE,T7.0,W15,	SA	1
2-2	3		DD66-00190A	VANE-UPPER RIGHT; DW9000M,PP,VITALITY ORA	SNA	1
2-3	3		DD66-00191A	VANE-UPPER LEFT; DW9000M,PP,VITALITY ORAN	SNA	1

6. Assy Case Parts Etc.

Exploded View



Parts List

No.	Lvl.	Loc.	Material Code	Description & Specification	SNA	Qty.
0	1		DD90-00624A	ASSY CASE PARTS; DW60M9550FW/EC,-	SNA	1
1	2		6003-001284	SCREW-TAPTYPE; PH,+,B,M4,L16,PASS,STS304	SA	2
2	2		DC63-01432C	COVER FILTER; WA456DRHDWD,HIPS,T2.5,NATUR	SA	1
3	2	M033	DD39-00013H	WIRE HARNESS-SUB; UL1569,20,DW9000M,Assy	SA	1
4	2		DD61-00366A	HOUSING-LEFT; GALA-E,FS MODEL,EGI-SECC,T0	SA	1
5	2		DD61-00367A	HOUSING-RIGHT; GALA-E,FS MODEL,EGI-SECC,T	SA	1
6	2		DD61-00532A	SPRING ETC DOOR; DW9000H,HSWR-SWRH,72A	SA	2
7	2		DD61-00390A	GUIDE SALT; GALA-E,COMMON,PP,RM60BK,BLACK	SA	1

Exploded Views and Parts List

No.	Lvl.	Loc.	Material Code	Description & Specification	SNA	Qty.
8	2	M402	DD61-00397A	HOLDER HOSE; GALA-E,COMMON,PP,BLACK,RM60B	SA	1
9	2		DD61-00483A	GUIDE HINGE; DW9900H,POM,F20-03,NATURAL	SA	2
10	2		DD61-00490B	PLATE BACK; DW9900M,PP,BLACK,RM60BK,BK000	SA	1
11	2		DD61-00546B	HOLDER ROPE DOOR; DW9000H,POM,LIGHT WARM	SA	2
12	2		DD61-00576A	BRACKET-LOW RIGHT; DW9900M,POM,NATURAL,NC	SA	1
13	2		DD61-00588A	GUIDE BAR; DW9000M,PP,BLACK,RM60BK,BK0001	SA	1
14	2		DD61-00601A	GUIDE LIQUID-RIGHT; DW9000M,PP,RM60BK,BLA	SA	2
15	2		DD97-00543A	ASSY COVER DRY; DW9000M,COMMON	SA	1
15-1	3	M022	DD63-00323A	COVER MOTOR; DW9000M,ABS,NATURAL,VE-0858,	SA	1
15-2	3		DD62-00157A	SEAL WATER; DW9000M,Si	SA	1
15-3	3		DD66-00145A	ACTUATOR THERMAL; DW9000H,POM,T5.0,V0,SPA	SA	1
15-4	3		DD93-01018A	ASSY COVER DUCT; DW9000M,FS	SA	1
15-5	3	F164	DD66-00089A	ACTUATOR THERMAL; GALA-E,POM,PUSH TYPE,AC	SA	1
15-6	3		DD31-00024B	MOTOR BLDC FAN; D05F-12PH,5700,12V,0.14A,	SA	1
15-7	3	M033	DD39-00013J	WIRE HARNESS-SUB; UL1569,20,DW9000M,Assy	SA	1
16	2	F052	DD63-00072A	GASKET-BRAKE; DMR78,EPDM,BLACK,R-PJT	SA	2
17	2	F314	DD63-00293C	ABSORBER-TOP; DW9000M,DW60M9970,FELT,T20,	SNA	1
18	2		DD63-00304A	FILTER MICRO; DW9900M,PP,LIGHT WARM GRAY,	SA	1
19	2		DD63-00305A	FILTER COARSE; DW9900M,PP,LIGHT WARM GRAY	SA	1
20	2		DD63-00306A	FILTER FINE; DW9900M,STS304,T0.3	SA	1
21	2		DD63-00326A	COVER WIRE; DW9000M,PP,BLACK,RM60BK,BK000	SA	1
22	2		DD64-00096A	TRIM-SIDE (FS); GALA-E,PP,MT43,LIGHT WARM	SA	2
23	2		DD64-00156A	TRIM UPPER; DW9000H,PP,EP649N,BLACK,TPV	SA	1
24	2		DD67-00083A	TANK WATER-SOFTNER; GALA-E,COMMON,PP,NATU	SA	1
25	2		DD97-00544A	ASSY HOSE CONNECTOR; DW9000M,ASSY COVER D	SA	1
25-1	3		DD62-00157A	SEAL WATER; DW9000M,Si	SA	1

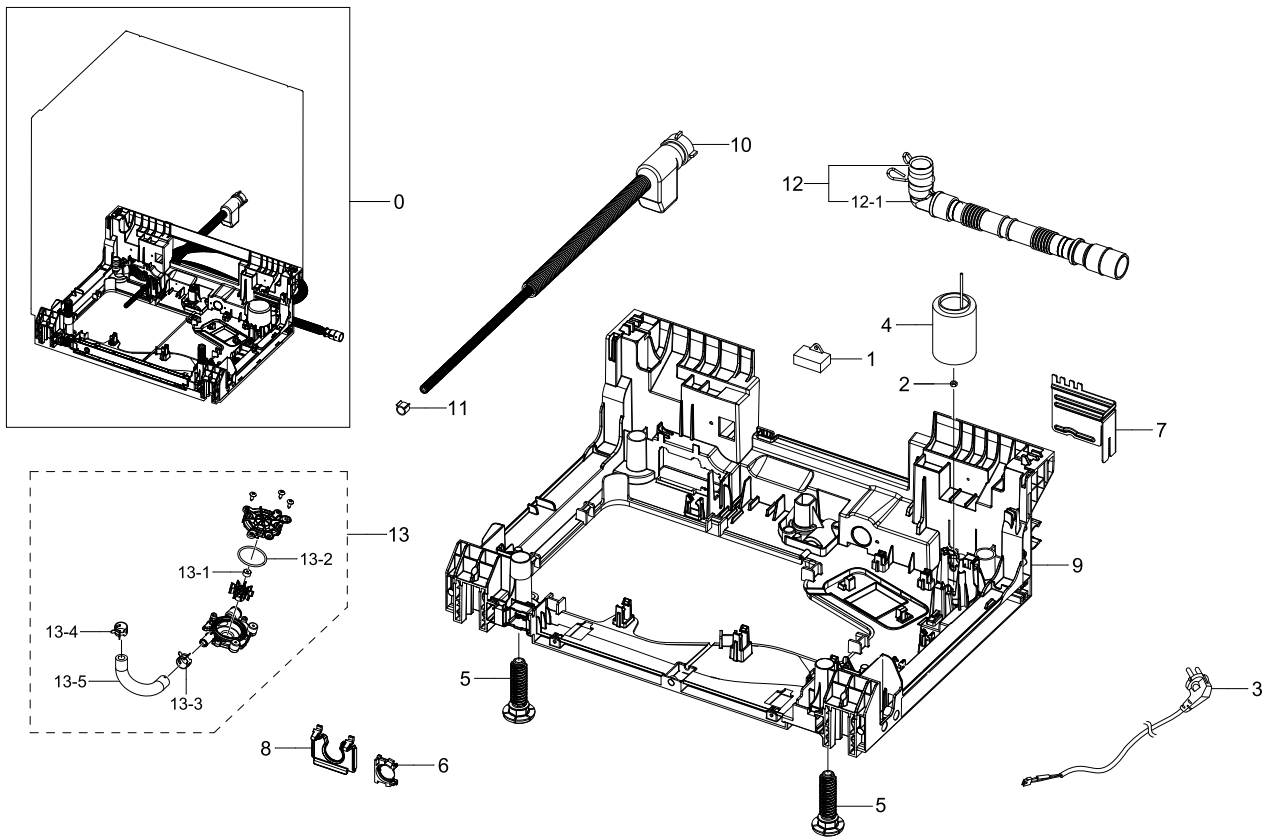
No.	Lvl.	Loc.	Material Code	Description & Specification	SNA	Qty.
25-2	3	M022	DD63-00323A	COVER MOTOR; DW9000M,ABS,NATURAL,VE-0858,	SA	1
25-3	3	F152	DD65-00001N	CLAMPER HOSE; GALA-E,SK5,DACRO COAT	SA	3
25-4	3		DD66-00145A	ACTUATOR THERMAL; DW9000H,POM,T5.0,V0,SPA	SA	1
25-5	3		DD67-00158A	HOSE WATER; DW9000M,EPDM,75,BLACK	SA	1
25-6	3		DD67-00163A	HOSE CONNECTOR; DW9000M,PP,NATURAL,441JU,	SA	1
25-7	3		DD67-00153A	HOSE PUMP-OUT; DW9000M,EPDM,BLACK	SNA	1
26	2		DD67-00086A	TANK WATER-SOFTNER-CAP; GALA-E,COMMON,PP,	SA	1
27	2		DD67-00087A	TANK WATER-SOFTNER-HOLDER; GALA-E,COMMON,	SA	1
28	2		DD67-00088A	TANK WATER-SOFTNER SEAL; GALA-E,COMMON,NB	SA	1
29	2		DD67-00162A	CAP OUTLET DRY; DW9000M,PP,MT43,LIGHT WAR	SA	2
30	2		DD61-00574A	HOLDER FILTER; DW9900M,PP,LIGHT WARM GRAY	SA	1
31	2		DD97-00542B	ASSY COVER PCB; DW9000M,EU,NO WI-FI	SA	1
31-1	3		DD39-00012J	WIRE HARNESS-MAIN; UL1569,20,DW9000M_Prem	SA	1
31-2	3	F316	DD92-00059C	ASSY PCB MAIN; MAIN,DW9000M,328X88,Y,230V	SA	1
32	2		DD93-01016B	ASSY MOTOR-HOLDER; -, -, -, DW9000M, -, DW60M9	SA	1
32-1	3		6003-001284	SCREW-TAPTYPE; PH,+,B,M4,L16,PASS,STS304	SA	1
32-2	3	S0021	DD34-00006A	SWITCH-MICRO; 125/250V,0.1A,60gf,SPST-NO	SA	1
32-3	3	M358	DE31-10098A	MOTOR AC DRIVE; M2LB24ZR92,8,220~240V,50/	SA	1
33	2		DD94-01091K	ASSY CASE BRAKE; DW9000M,EU COMMON,ASSY G	SA	1
33-1	3		DD62-00138A	SEAL RING; GALA-E,EPDM,BLACK,-	SA	1
34	2		DD97-00257A	ASSY COVER BASE; DW9900H,COMMON,-, -, -, -	SA	1
34-1	3		DD39-00001A	WIRE HARNESS-LEAKAGE; GALA-E,COMMON,UL156	SA	1
35	2		DD97-00539B	ASSY FRAME FRONT; DW9000M,FS,BU	SA	1
35-1	3	F149	DD61-00317A	FRAME FRONT; GALA-E,COMMON,GI-SGCC,T1,W61	SA	1
35-2	3		DD63-00329A	ABSORBER-FRAME; DW9000M,FELT,T10,LIGHT WA	SA	1
36	2		DD97-00311C	ASSY COVER PLINTH; DW9000M,9550,FS,DA WHI	SA	1

Exploded Views and Parts List

No.	Lvl.	Loc.	Material Code	Description & Specification	SNA	Qty.
36-1	3		DD61-00331B	FOOT FREE STANDING; GALA-E,PA,BLACK,0103-	SA	2
36-2	3		DD61-00332A	HOLDER FOOT; GALA-E,FS MODEL,PP,BLACK,RM6	SA	2
36-3	3		DD63-00281A	COVER PLINTH; DW9000H,ABS,DA WHITE,WT0035	SA	1
37	2		DD61-00450A	BRACKET SPRING; DW9900H,GI-SGCC,T2	SA	2
38	2		DD61-00545A	HOLDER CASE TOP; DW9000H,PP,BLACK,RM60BK,	SA	1
39	2		DD97-00313C	ASSY COVER TOP; DW9000H,FS,GP-35,-,-,DA-W	SA	1
40	2	F152	DC61-00219M	CLAMPER HOSE; SK5,WHITE	SA	3

7. Assy Base

Exploded View



Parts List

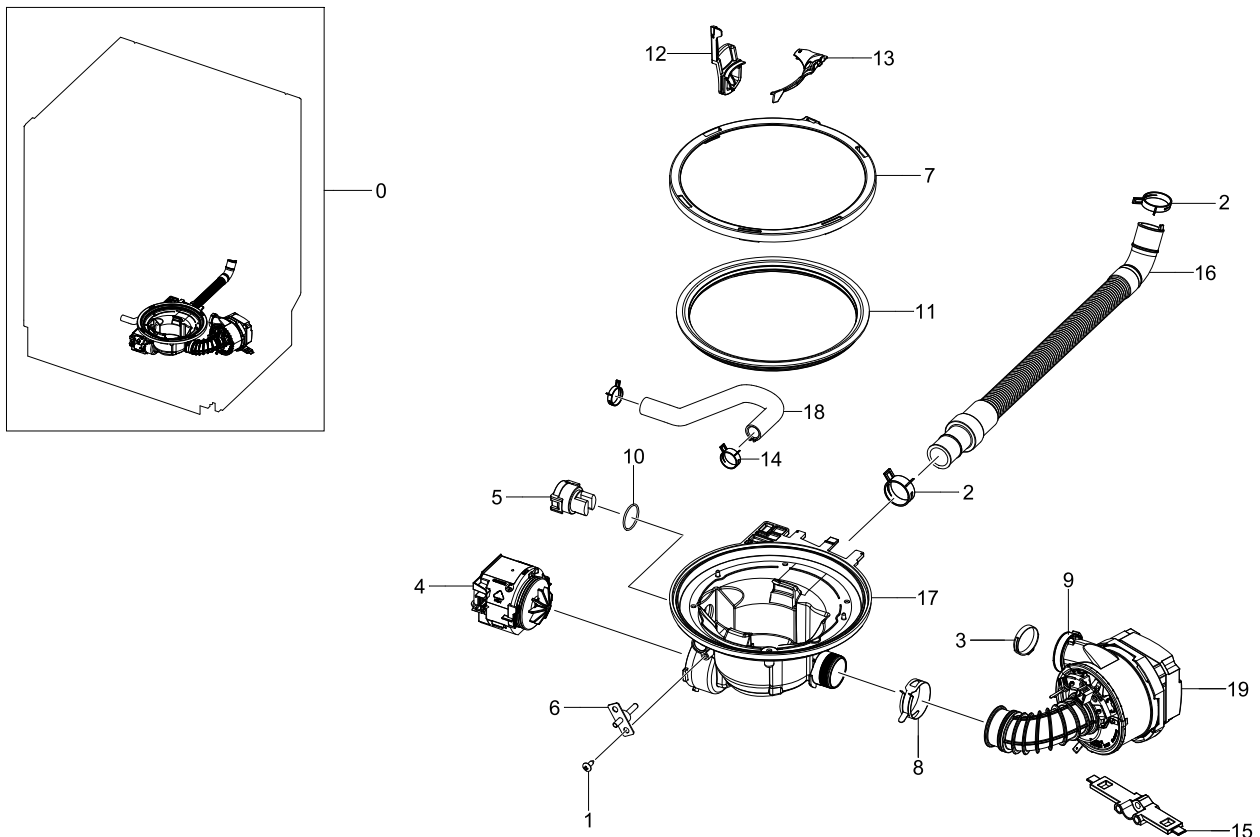
No.	Lvl.	Loc.	Material Code	Description & Specification	SNA	Qty.
0	1		DD97-00533A	ASSY BASE; DW9000M,FS,SELV,ASSY GUIDE WAT	SA	1
1	2		2504-000010	C-MOTOR RUN-BOX;0.18,-25to+85,450V,±5,38	SA	1
2	2		DC60-50153A	NUT HEX; SM10C	SA	1
3	2	M015	DC96-00146A	POWER CORD-AT; H05VV-F 3x1.5mm2,GRY,EU3F,	SA	1
4	2		DD29-00009A	FILTER EMI; 6.5mH,53X96.5,15A,AC 250V,CAN	SA	1
5	2		DD61-00331B	FOOT FREE STANDING; GALA-E,PA,BLACK,0103-	SA	2
6	2		DD61-00377A	HOLDER HOSE-OUTLET; GALA-E,PP,BLACK,RM60B	SA	1
7	2		DD61-00517A	BRACKET EARTH; DW9900H,GI-SGCC,T1	SNA	1
8	2		DD61-00518B	HOLDER HOSE; DW9000H,PP,BLACK,RM60BK,BK00	SA	1
9	2		DD61-00606A	PLATE BASE; DW9000M,PP,BLACK,RM60BK,BK00	SA	1

Exploded Views and Parts List

No.	Lvl.	Loc.	Material Code	Description & Specification	SNA	Qty.
10	2		DD62-00102A	VALVE WATER-SAFETY; AC220-240V,A-1,#250,2	SA	1
11	2	F165	DD65-00001J	CLAMPER HOSE; GALA-E,SK5,ID14.8	SA	1
12	2		DD97-00403D	ASSY HOSE DRAIN; DW9000M,PP+TPE,LIGHT WAR	SA	1
12-1	3		DD60-00007A	ELBOW HOSE; TPE,RH40	SA	1
13	2		DD97-00519B	ASSY GUIDE WATER-SUB; DW9000H,COMMON	SA	1
13-1	3	Z097	DD61-00597A	MAGNET; DW9900M,FERRITE	SA	1
13-2	3		DD62-00139A	SEAL RUBBER; DW9900M,EPDM,BLACK	SA	1
13-3	3	F166	DD65-00001H	CLAMPER HOSE; GALA-E,SK5,Zn-Chromate	SA	1
13-4	3	F152	DD65-00001N	CLAMPER HOSE; GALA-E,SK5,DACRO COAT	SA	1
13-5	3		DD67-00132A	HOSE INLET; DW9000M,EPDM,BLACK	SA	1

8. Assy Sump Parts

Exploded View



Parts List

No.	Lvl.	Loc.	Material Code	Description & Specification	SNA	Qty.
0	1		DD90-00634E	ASSY SUMP PARTS; DW9000M,EU,220-240V,ASSY	SNA	1
1	2	X009	6002-000231	SCREW-TAPPING; TH,+,NO,2S,M4,L12,ZPC(WHT)	SNA	2
2	2	F152	DC61-00219M	CLAMPER HOSE; SK5,WHITE	SA	2
3	2		DD61-00653A	BRACKET HOSE; DW9900M,GI-SGCC,T0.8,ID 30.	SA	1
4	2		DD31-00016A	MOTOR BLDC PUMP; 120V/230V,DRAIN BLDC PUM	SA	1
5	2	F089	DD32-00008A	SENSOR-TURBIDITY; GALA-E,5,5,VCC (+5Vdc),	SA	1
6	2	M117	DD32-00009A	THERMISTOR;GALA-E,R50°C = 17.59 KΩ,-20 to	SA	1
7	2		DD61-00534B	BRACKET TUB; DW9000H,PP,BLACK,RM60BK,BK00	SA	1
8	2		DD61-00583A	BRACKET HOSE; DW9900M,GI-SGCC,T0.8,ID 38.	SA	1

Exploded Views and Parts List

No.	Lvl.	Loc.	Material Code	Description & Specification	SNA	Qty.
9	2		DD61-00584A	BRACKET HOSE; DW9900M,GI-SGCC,T0.8,ID 39.	SA	1
10	2		DD62-00106A	SEAL SOIL SENSOR; GALA-E,EPDM	SA	1
11	2		DD62-00130A	SEAL SUMP; DW9900H,EPDM,BLACK,65	SA	1
12	2		DD63-00307B	COVER DRAIN PUMP; DW8000R,PP,LIGHT WARM G	SA	1
13	2		DD63-00308A	COVER CIRCULATION PUMP; DW9900M,PP,LIGHT	SA	1
14	2	F152	DD65-00001N	CLAMPER HOSE; GALA-E,SK5,DACRO COAT	SA	2
15	2		DD66-00098A	DAMPER BLDC PUMP; GALA-E,EPDM	SA	1
16	2		DD67-00115A	HOSE DRAIN-IN; DW9900H,PP,T2.5,LIGHT WARM	SA	1
17	2		DD67-00125B	SUMP; DW9000M,EU,PP,LIGHT WARM GRAY,GY021	SA	1
18	2		DD67-00161A	HOSE SOFTNER IN; DW9000M,EPDM,75,BLACK	SA	1
19	2		DD93-01013B	ASSY MOTOR BLDC; -, -, DW9000M, -, DW60M997	SA	1