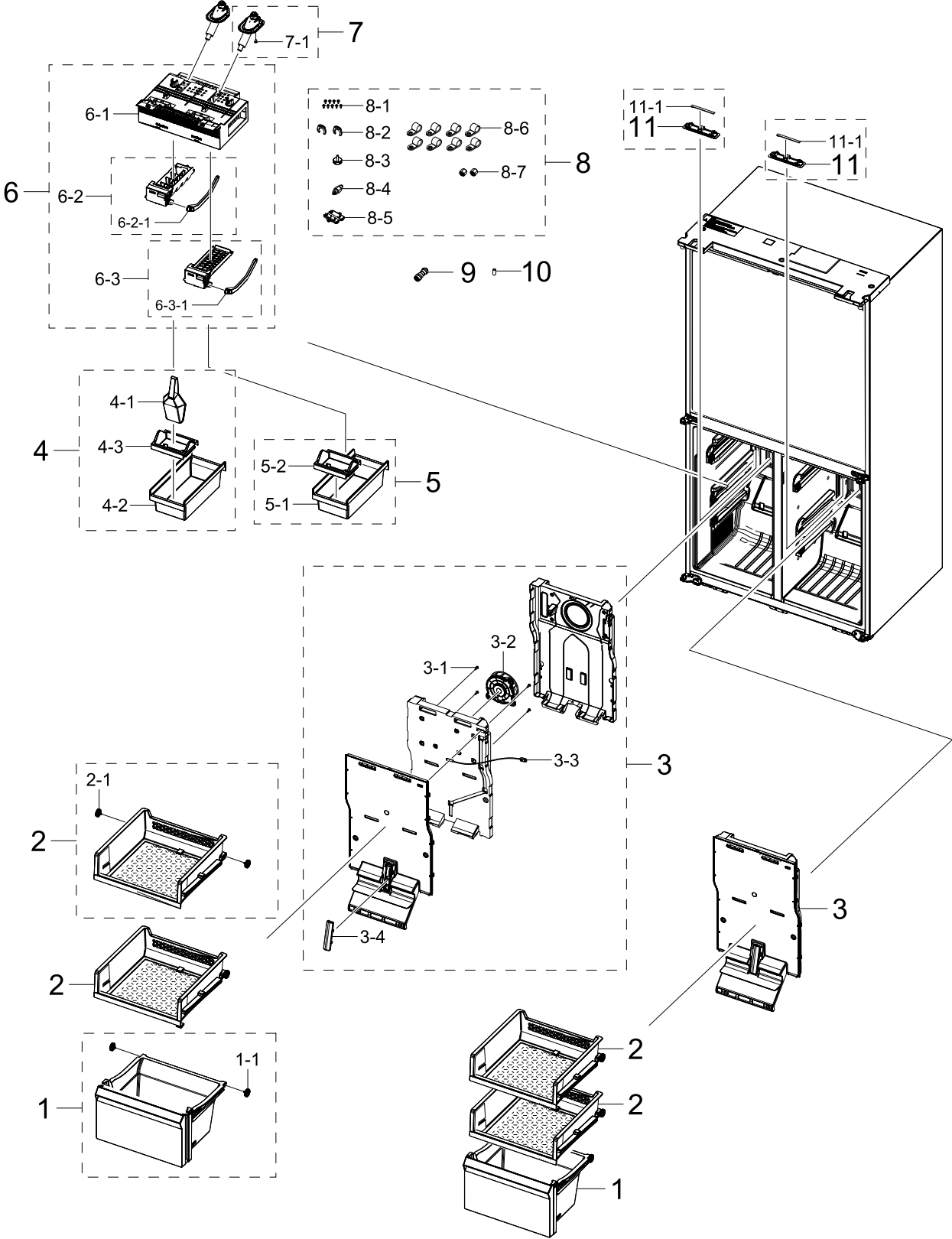


1. Freezer

Freezer

Exploded View



Parts List

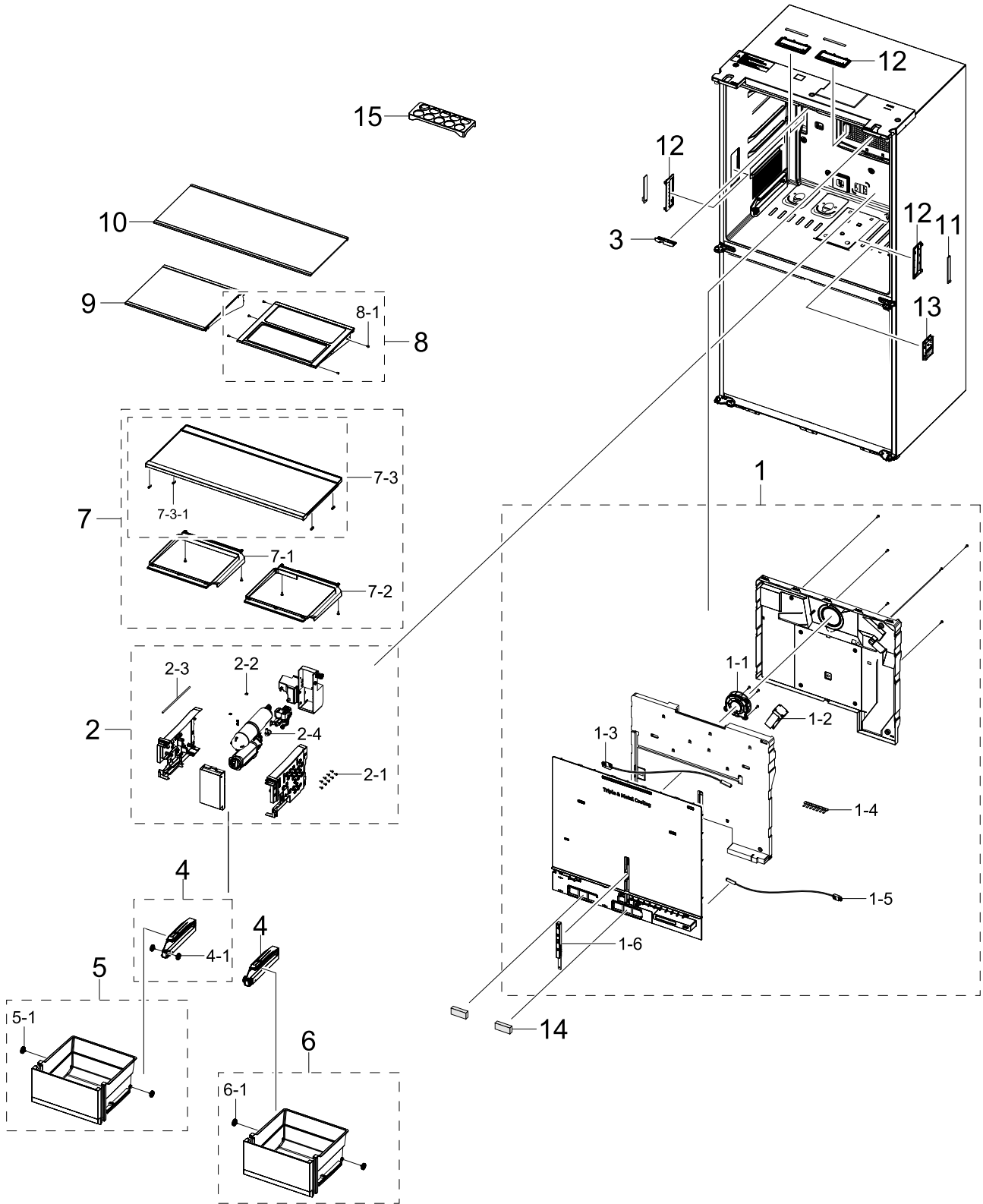
| No. | Lvl. | Loc. | Material Code | Description & Specification | SNA | Qty. |
|-------|------|-------|---------------|--|-----|------|
| 1 | 2 | | DA97-21875A | ASSY CASE BASKET-LOW DRAWER MODULE; RF900 | SA | 2 |
| 1-1 | 3 | | DA97-19988A | ASSY ROLLER; RF9000K,29 | SA | 4 |
| 2 | 2 | | DA97-21798A | ASSY SHELF-SLIDE FRE SHELF MODULE; RF7000 | SA | 4 |
| 2-1 | 3 | | DA97-19988A | ASSY ROLLER; RF9000K,29 | SA | 8 |
| 3 | 2 | RF005 | DA97-16139B | ASSY COVER EVAP-FRE; RF9000JC,NON LED LIG | SA | 2 |
| 3-1 | 3 | RR334 | 6002-001204 | SCREW-TAPPING; TH,+,-,1,M4,L16,PASS,STS43 | SA | 8 |
| 3-2 | 3 | | DA31-00334C | MOTOR BLDC FAN;12035GE-12M-YT,1775±7%,12 | SA | 2 |
| 3-3 | 3 | RI139 | DA32-00011C | SENSOR TEMP;QUEEN,-50 ~ 80 °C,5V,R SENSOR | SA | 2 |
| 3-4 | 3 | | DA63-03056C | COVER-LED; MOUTON-PJT,HIPS,HB,COOL WHITE, | SA | 2 |
| 4 | 2 | | DA97-21793A | ASSY CASE ICE; RF9000AC,CD | SNA | 1 |
| 4-1 | 3 | | DA61-14309A | CASE ICE-SCOOP; RF9900T,PCTG,T2,TP GRAY,J | SA | 1 |
| 4-2 | 3 | | DA61-14444A | CASE ICE-CUBE; RF9000AC,GPPS,T2.5,TP GRAY | SA | 1 |
| 4-3 | 3 | | DA63-11280A | COVER ICE-FRE; RF9000A,PCTG,T2,TP GRAY,JN | SA | 1 |
| 5 | 2 | | DA97-21793B | ASSY CASE ICE; RF7000AC,CD, without SCOOP | SNA | 1 |
| 5-1 | 3 | | DA61-14444A | CASE ICE-CUBE; RF9000AC,GPPS,T2.5,TP GRAY | SA | 1 |
| 5-2 | 3 | | DA63-11280A | COVER ICE-FRE; RF9000A,PCTG,T2,TP GRAY,JN | SA | 1 |
| 6 | 2 | RM061 | DA97-21804A | ASSY ICE MAKER-ICE MODULE; RF9000A,DUAL | SNA | 1 |
| 6-1 | 3 | | DA61-14435A | SUPPORT ICE MAKER; RF9000A,HIPS,T3,S834S1 | SA | 1 |
| 6-2 | 3 | | DA97-22160A | ASSY CASE ICE; RF9000A,SERVICE (NUGGET) | SA | 1 |
| 6-2-1 | 4 | RD273 | DA61-14661A | GUIDE ICE; RF9000A,PP,BJ750,NATURAL,RF900 | SA | 1 |
| 6-3 | 3 | | DA97-22162A | ASSY CASE ICE; RF9000A,SERVICE (CUBE) | SA | 1 |
| 6-3-1 | 4 | RD273 | DA61-14661A | GUIDE ICE; RF9000A,PP,BJ750,NATURAL,RF900 | SA | 1 |
| 7 | 2 | | DA97-21801A | ASSY PIPE WATER ICE; RF9000A,1/4, CUBE,AI | SA | 2 |
| 7-1 | 3 | S0025 | 6002-000239 | SCREW-TAPPING; SWRCH18A,ZPC(WHT),L8,M4,TH | SA | 2 |

| No. | Lvl. | Loc. | Material Code | Description & Specification | SNA | Qty. |
|------|------|-------|---------------|--|-----|------|
| 8 | 2 | RI069 | DA97-11752E | ASSY INSTALL-FILTER; AW2,AW3(GLOBAL),NO W | SC | 1 |
| 8-1 | 3 | RR008 | 6002-000213 | SCREW-TAPPING; TH,+,1,M4,L12,ZPC(WHT),SWR | SA | 9 |
| 8-2 | 3 | RR094 | DA61-04522A | CLIP-FITTING LOCK; AW,POM,NATURAL,POM | SA | 2 |
| 8-3 | 3 | RC001 | DA62-01329A | PIPE-CONNECT WATER PACKING; ET-PJT,BRASS, | SA | 1 |
| 8-4 | 3 | RO207 | DA62-01378B | VALVE-FITTING PU; AT06,C3604 | SA | 1 |
| 8-5 | 3 | RU304 | DA63-04744A | COVER-CHECK VALVE; HM,PP,HB,INNER GRAY,CN | SA | 1 |
| 8-6 | 3 | RW963 | DA65-20110B | CABLE CLAMP; PA66 | SA | 8 |
| 8-7 | 3 | RR072 | DA74-00070B | VALVE-FITTING NUT; A-TOP,C3604,gold | SA | 2 |
| 9 | 2 | RY761 | DA60-00258B | FITTING TUBE; PP,ID1/4,1/4'- 1/4' | SA | 1 |
| 10 | 2 | RU302 | DA73-00211A | RUBBER-CAP HOSE; i4-PJT,SILICON RUBBER,GR | SA | 1 |
| 11 | 2 | RI370 | DA63-04921B | COVER LAMP-LED FRONT; CULLINAN,SBC,HB,NAT | SA | 2 |
| 11-1 | 5 | RK395 | DA41-00519R | ASSY LAMP LED; 3ea,CEM-1,65*10*1.6T,WHITE | SA | 2 |

2. Fridge

Fridge

Exploded View



Parts List

| No. | Lvl. | Loc. | Material Code | Description & Specification | SNA | Qty. |
|-------|------|-------|---------------|--|-----|-------|
| 1 | 2 | RI008 | DA97-21806B | ASSY COVER EVAP-REF COVER EVAP MODULE; RF | SA | 1 |
| 1-1 | 3 | | DA31-00334D | MOTOR BLDC FAN;12035GE-12M-YT,1775±7%,12 | SA | 1 |
| 1-2 | 3 | | DA31-00346B | MOTOR GEARED DC DAMPER; NSBY001TR1,2.5RPM | SA | 1 |
| 1-3 | 3 | | DA32-00070E | SENSOR TEMP; SC41198-021A,1100mm,13.2kohm | SA | 1 |
| 1-4 | 3 | RO337 | DA61-11032A | FIXER; RT5000K,PA66,WHITE,KN3322V0,7P Ret | SA | 1 |
| 1-5 | 3 | | DA32-00070D | SENSOR TEMP; SC41199-021A,L900,13.2kohm,2 | SA | 1 |
| 1-6 | 3 | | DA61-14455A | ANGLE SHELF-REF MIDDLE; GI-SGCC,T2.5,RF90 | SA | 1 |
| 2 | 2 | | DA97-21797B | ASSY CASE FILTER; RF9000AC,220V | SA | 1 |
| 2-1 | 3 | RR008 | 6002-000213 | SCREW-TAPPING; TH,+,1,M4,L12,ZPC(WHT),SWR | SA | 9 |
| 2-2 | 3 | RR094 | DA61-04522A | CLIP-FITTING LOCK; AW,POM,NATURAL,POM | SA | 9 |
| 2-3 | 3 | RY760 | DA62-01368F | PIPE-WATER LINE; Dispenser Model,PE,OD6.3 | SA | 2.221 |
| 2-4 | 3 | | DA62-03103A | TUBE-FITTING L; AW33,POM | SA | 1 |
| 3 | 2 | RI211 | DA61-04285A | GUIDE-FRENCH; OPUS1-14,PC+ABS,HB,HR-1008B | SA | 1 |
| 4 | 2 | | DA97-21876A | ASSY RAIL-MIDDLE LEFT; RF9000AC,CD | SA | 2 |
| 4-1 | 3 | | DA97-19988A | ASSY ROLLER; RF9000K,29 | SA | 4 |
| 5 | 2 | RI001 | DA97-21878B | ASSY CASE VEG-LOW; RF9000AC,CD,CRISPER+,L | SA | 1 |
| 5-1 | 3 | | DA97-19988A | ASSY ROLLER; RF9000K,29 | SA | 2 |
| 6 | 2 | RI001 | DA97-21878C | ASSY CASE VEG-LOW; RF9000AC,CD,FLEX CRISP | SA | 1 |
| 6-1 | 3 | | DA97-19988A | ASSY ROLLER; RF9000K,29 | SA | 2 |
| 7 | 2 | | DA97-21902B | ASSY SHELF VEG-LOW; RF9000AC,COVER VEG-UP | SNA | 1 |
| 7-1 | 3 | RI577 | DA63-11228A | COVER VEG-UP; RF9000AC,HIPS,T2,COOL WHITE | SA | 1 |
| 7-2 | 3 | RI577 | DA63-11229A | COVER VEG-UP; RF9000AC,HIPS,T2,COOL WHITE | SA | 1 |
| 7-3 | 3 | | DA97-21902A | ASSY SHELF VEG-LOW; RF9000AC | SA | 1 |
| 7-3-1 | 4 | | DA64-03784A | TRIM SHELF; ARAM,LDPE,MB9500,COOL WHITE | SA | 4 |
| 8 | 2 | | DA97-21895A | ASSY SHELF QUICK SPACE; RF9000AC,LUMINOUS | SA | 1 |
| 8-1 | 3 | RR128 | 6002-001397 | SCREW-TAPPING; TH,+,-,B,M4,L8,ZPC(WHT),SW | SA | 5 |

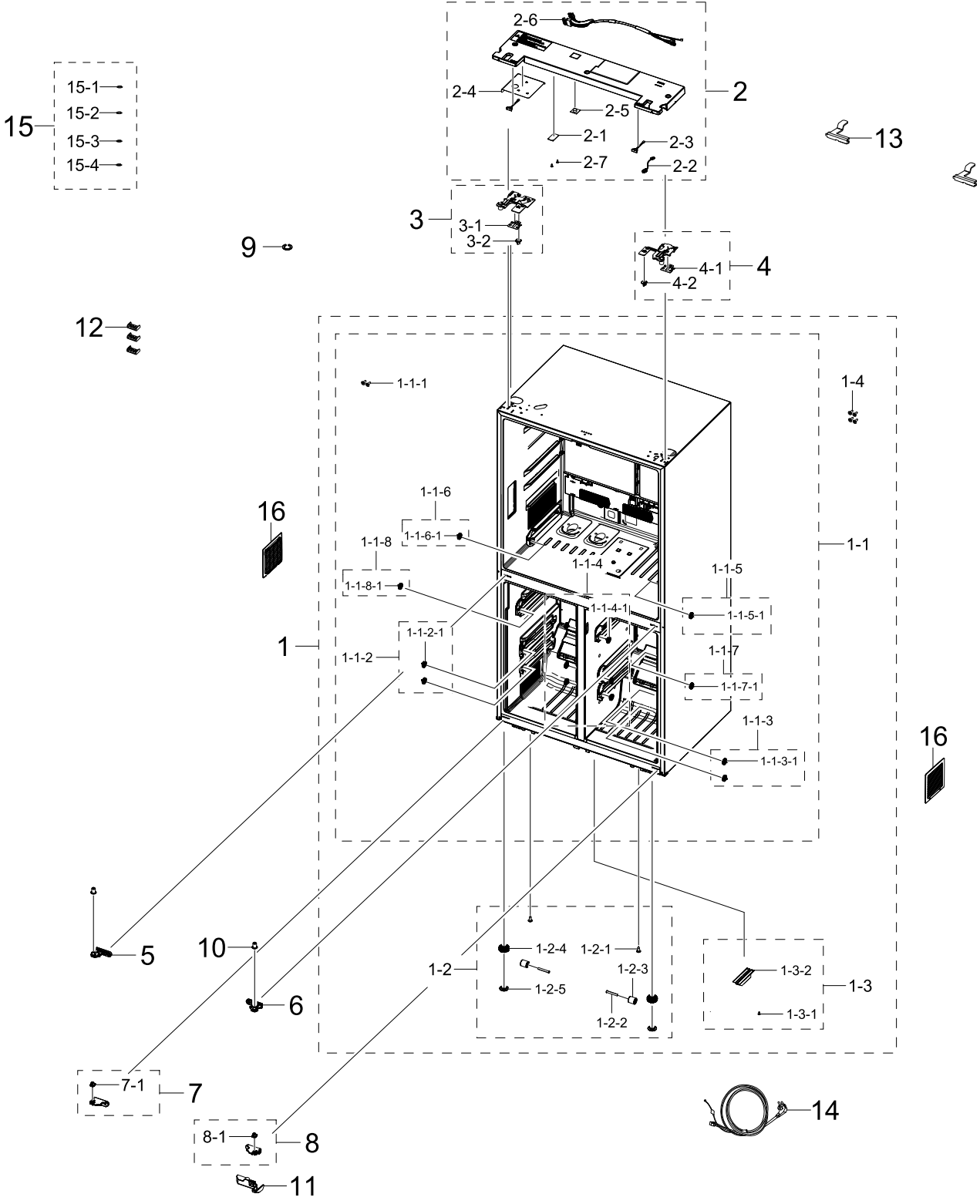
Exploded Views and Parts List

| No. | Lvl. | Loc. | Material Code | Description & Specification | SNA | Qty. |
|-----|------|-------|---------------|--|-----|------|
| 9 | 2 | RI037 | DA97-20042G | ASSY SHELF-REF; RF9000AC,SHELF FIXED LEFT | SA | 1 |
| 10 | 2 | RI041 | DA97-21898A | ASSY SHELF-REF UP; RF9000AC,LUMINOUS TRIM | SA | 1 |
| 11 | 5 | | DA96-01119A | ASSY LAMP LED; 3EA,FR-4,150*12,WHITE,SMAW | SA | 4 |
| 12 | 2 | | DA97-16143B | ASSY COVER LAMP; RF8000MC | SA | 4 |
| 13 | 2 | RO707 | DA97-21808N | ASSY COVER CONTROL; RF9000A,SIMPLE UX, LC | SA | 1 |
| 14 | 2 | | DA02-00244A | CATALYST; T5,W100,L100,Mesh+Fouder Type | SA | 2 |
| 15 | 2 | | DA97-22161A | ASSY TRAY EGG; RF9000A,TP BLUE | SA | 1 |

3. Cabinet

Cabinet

Exploded View



Parts List

| No. | Lvl. | Loc. | Material Code | Description & Specification | SNA | Qty. |
|---------|------|-------|---------------|--|-----|------|
| 1 | 2 | | DA97-22028U | ASSY CABI FORM-CABI MODULE; RF9000A,CD,22 | SNA | 1 |
| 1-1 | 3 | | DA94-05843N | ASSY LINER; RF9000A,CD,FDSR-L,220V,BSC,DU | SNA | 1 |
| 1-1-1 | 4 | RR009 | 6002-000215 | SCREW-TAPPING; TH,+,1,M4,L16,ZPC(WHT),SWR | SA | 2 |
| 1-1-2 | 4 | | DA97-15419A | ASSY RAIL-LEFT; RF9000JC | SNA | 2 |
| 1-1-2-1 | 5 | | DA97-19988A | ASSY ROLLER; RF9000K,29 | SA | 2 |
| 1-1-3 | 4 | | DA97-15420A | ASSY RAIL-RIGHT; RF9000JC | SNA | 2 |
| 1-1-3-1 | 5 | | DA97-19988A | ASSY ROLLER; RF9000K,29 | SA | 2 |
| 1-1-4 | 4 | | DA97-21953A | ASSY PARTITION-FRE V; RF9000AC,DEPTH 610 | SNA | 1 |
| 1-1-4-1 | 5 | | DA97-19988A | ASSY ROLLER; RF9000K,29 | SA | 6 |
| 1-1-5 | 4 | | DA97-21970A | ASSY RAIL-REF LOW RIGHT; RF9000AC | SNA | 1 |
| 1-1-5-1 | 5 | | DA97-19988A | ASSY ROLLER; RF9000K,29 | SA | 1 |
| 1-1-6 | 4 | | DA97-21971A | ASSY RAIL-REF LOW LEFT; RF9000AC | SNA | 1 |
| 1-1-6-1 | 5 | | DA97-19988A | ASSY ROLLER; RF9000K,29 | SA | 1 |
| 1-1-7 | 4 | | DA97-21972A | ASSY RAIL-FRE UP RIGHT; RF9000AC | SNA | 1 |
| 1-1-7-1 | 5 | | DA97-19988A | ASSY ROLLER; RF9000K,29 | SA | 1 |
| 1-1-8 | 4 | | DA97-21973A | ASSY RAIL-FRE UP LEFT; RF9000AC | SNA | 1 |
| 1-1-8-1 | 5 | | DA97-19988A | ASSY ROLLER; RF9000K,29 | SA | 1 |
| 1-2 | 3 | | DA97-15376X | ASSY CABI-BOTTOM FRONT; RF9000R,EXPORT, U | SNA | 1 |
| 1-2-1 | 4 | RR008 | 6002-000213 | SCREW-TAPPING; TH,+,1,M4,L12,ZPC(WHT),SWR | SA | 2 |
| 1-2-2 | 4 | RH012 | DA61-01920A | FIXER-CASTER; ZPC2,SWRCH10A,OD8.0,L58 | SA | 2 |
| 1-2-3 | 4 | RO360 | DA61-04702A | CASTER-FRONT; AW-PJT,PP,BLACK | SA | 2 |
| 1-2-4 | 4 | RO100 | DA61-07280A | FOOT-FRONT; SUPER STAR,RT7000K,PP,BLACK,(| SA | 2 |
| 1-2-5 | 4 | | DA63-06285A | COVER-FOOT; SUPER STAR,RT7000K,PP,T2.5,BL | SA | 2 |
| 1-3 | 3 | | DA97-22003J | ASSY CABI FRAME-BOTTOM; RF9000AC,SIDE COO | SNA | 1 |
| 1-3-1 | 4 | RR008 | 6002-000213 | SCREW-TAPPING; TH,+,1,M4,L12,ZPC(WHT),SWR | SA | 9 |
| 1-3-2 | 4 | | DA64-05373D | TRIM BLADE; RF9000A,PVC,SHGS-L130-67-01G, | SA | 1 |
| 1-4 | 3 | RR016 | 6002-001122 | SCREW-TAPPING; FH,+,1,M4,L14,ZPC(WHT),SWR | SC | 4 |
| 2 | 2 | RO133 | DA97-19977C | ASSY TOP TABLE; RF9000AC / RF7000AC,INOX | SA | 1 |

| No. | Lvl. | Loc. | Material Code | Description & Specification | SNA | Qty. |
|-----|------|-------|---------------|--|-----|------|
| 2-1 | 3 | | 4709-002948 | W-LAN MODULE; CWAP210M,MT7686,IEEE802.11, | SA | 1 |
| 2-2 | 3 | RO302 | DA32-00074A | SENSOR HUMIDITY; 5V,0~100%RH,REF | SA | 1 |
| 2-3 | 3 | RY001 | DA34-00043L | SWITCH REED; UL1007 AWG 22,L100 | SA | 2 |
| 2-4 | 3 | | DA61-13772A | PLATE COVER-FRE; RF9000JC,GL-SAZCC,T0.25, | SA | 1 |
| 2-5 | 3 | | DA92-00817A | ASSY MODULE; BUZZER PBA,RB6000K,Standard | SA | 1 |
| 2-6 | 3 | | DA96-01466A | ASSY WIRE HARNESS-TOP; RF9000A,BUZZER,WIF | SA | 1 |
| 2-7 | 3 | RR014 | 6002-000630 | SCREW-TAPPING; PH,+,2S,M3,L8,ZPC(WHT),SWR | SA | 2 |
| 3 | 2 | | DA97-19972A | ASSY HINGE-UP LEFT; RF9000R,T3,BLACK | SA | 1 |
| 3-1 | 3 | RK777 | DA63-50192A | SHIM-HINGE UPP; PVC,T1.0,NATURAL,T1.0 | SA | 1 |
| 3-2 | 3 | RO175 | DA66-00950A | CAM-AUTO CLOSE L; AW4,POM,BLACK,500P | SA | 1 |
| 4 | 2 | | DA97-19973A | ASSY HINGE-UP RIGHT; RF9000R,T3,BLACK | SA | 1 |
| 4-1 | 3 | RK777 | DA63-50192A | SHIM-HINGE UPP; PVC,T1.0,NATURAL,T1.0 | SA | 1 |
| 4-2 | 3 | RO573 | DA66-00951A | CAM-AUTO CLOSE R; AW4,POM,BLACK,500P | SA | 1 |
| 5 | 2 | | DA61-13376A | HINGE-MIDDLE LEFT; RF9000R,Zn,T8,-,-,-,-, | SA | 1 |
| 6 | 2 | | DA61-13377A | HINGE-MIDDLE RIGHT; RF9000R,Zn,T8,-,-,-,- | SA | 1 |
| 7 | 2 | | DA97-21238B | ASSY HINGE-LOW LEFT; RF9000T,T8,BLACK PLA | SA | 1 |
| 7-1 | 3 | | DA63-09856A | GROMMET HINGE-LOW; RF9900T,POM,BLACK,LEFT | SA | 1 |
| 8 | 2 | | DA97-21227B | ASSY HINGE-LOW RIGHT; RF9000T,T8,BLACK PL | SA | 1 |
| 8-1 | 3 | | DA63-09857A | GROMMET HINGE-LOW; RF9900T,POM,BLACK,RIGH | SA | 1 |
| 9 | 2 | RO440 | DA60-00314B | FASTENER-HINGE; ROMANEE CONTI,PP+(GF+KD)3 | SA | 1 |
| 10 | 2 | RY756 | DA63-06410A | GROMMET HINGE-MID; AW3,POM,BLACK | SA | 2 |
| 11 | 2 | | DA63-09539A | COVER WIRE; RF9000R,PP,EBONY BLACK,49MK45 | SA | 1 |
| 12 | 2 | | DA61-12488B | FIXER COVER; AW3,HIPS,INNER GRAY,CNTK H30 | SA | 3 |
| 13 | 2 | RI305 | DA61-04932B | FIXER-HINGE; PO-SPHC,T3,Zn coating | SA | 2 |
| 14 | 2 | | 3903-001011 | POWER CORD-AT; H05VV-F 3x0.75mm2,BLK,EU3F | SA | 1 |

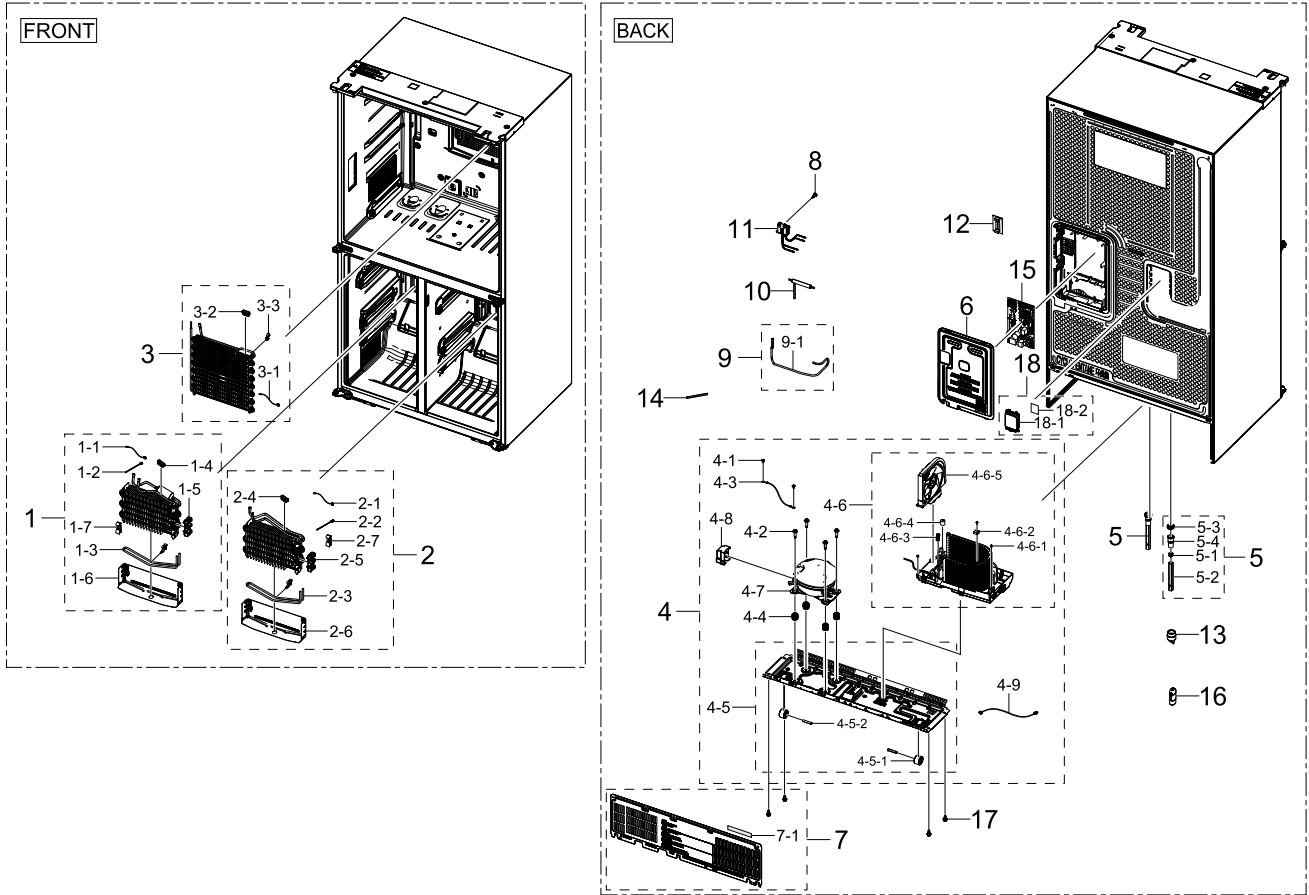
Exploded Views and Parts List

| No. | Lvl. | Loc. | Material Code | Description & Specification | SNA | Qty. |
|------|------|-------|---------------|--|-----|------|
| 15 | 3 | | DA99-04158A | ASSY INSTALL-STEP KIT; T/FDR,INDIA PRINT, | SA | 1 |
| 15-1 | 4 | RO440 | DA60-00314A | FASTENER-HINGE; ROMANEE CONTI,PP+(GF+KD)3 | SA | 1 |
| 15-2 | 4 | RO440 | DA60-00314B | FASTENER-HINGE; ROMANEE CONTI,PP+(GF+KD)3 | SA | 1 |
| 15-3 | 4 | RO440 | DA60-00314C | FASTENER-HINGE; ROMANEE CONTI,PP+(GF+KD)3 | SC | 1 |
| 15-4 | 4 | RO440 | DA60-00314D | FASTENER-HINGE; ROMANEE CONTI,PP+(GF+KD)3 | SA | 1 |
| 16 | 2 | RH778 | DA63-07680A | COVER UNIT; AW3-14,PP,HB,INOX GRAY,49MK45 | SA | 2 |

4. Cycle

Cycle

Exploded View



Parts List

| No. | Lvl. | Loc. | Material Code | Description & Specification | SNA | Qty. |
|-----|------|-------|---------------|---|-----|------|
| 1 | 2 | RF011 | DA96-01021K | ASSY EVAP-FRE; RF9000K,Fin tube,230V,121W | SA | 1 |
| 1-1 | 3 | | DA32-10104V | SENSOR TEMP; DKST1329GW,DOUBLE_INSULATION | SA | 1 |
| 1-2 | 3 | RR036 | DA47-00301D | THERMO FUSE-ASSY;AC250V,10A,109~110°C,S,O | SA | 1 |
| 1-3 | 3 | | DA47-00318U | HEATER METAL SHEATH; AC230V,T, 437.2ohm,1 | SA | 1 |
| 1-4 | 3 | RK213 | DA61-03683A | FIXER-SENSOR; AW-PJT,PP,NATURAL,FH44N,V-0 | SA | 1 |
| 1-5 | 3 | RU375 | DA61-06700A | FIXER-HEATER WIRE REF; HM/GGH/HAEMIL,PP,T | SA | 2 |
| 1-6 | 3 | RF169 | DA61-08675A | PLATE-DRAIN EVAP FRE; ROMANEE CONTI,Al,T0 | SA | 1 |

Exploded Views and Parts List

| No. | Lvl. | Loc. | Material Code | Description & Specification | SNA | Qty. |
|-------|------|-------|---------------|--|-----|------|
| 1-7 | 3 | | DA61-13585A | FIXER-BIMETAL; RF9000R,PP,T1.5,NATURAL,FH | SA | 1 |
| 2 | 2 | | DA96-00988F | ASSY EVAP-CONV; RF9000K,Fin tube,230V,121 | SA | 1 |
| 2-1 | 3 | | DA32-10104V | SENSOR TEMP; DKST1329GW,DOUBLE_INSULATION | SA | 1 |
| 2-2 | 3 | RR036 | DA47-00301D | THERMO FUSE-ASSY;AC250V,10A,109~110°C,S.O | SA | 1 |
| 2-3 | 3 | | DA47-00318U | HEATER METAL SHEATH; AC230V,T, 437.2ohm,1 | SA | 1 |
| 2-4 | 3 | RK213 | DA61-03683A | FIXER-SENER; AW-PJT,PP,NATURAL,FH44N,V-0 | SA | 1 |
| 2-5 | 3 | RU375 | DA61-06700A | FIXER-HEATER WIRE REF; HM/GGH/HAEMIL,PP,T | SA | 2 |
| 2-6 | 3 | RF169 | DA61-08675A | PLATE-DRAIN EVAP FRE; ROMANEE CONTI,Al,T0 | SA | 1 |
| 2-7 | 3 | | DA61-13585A | FIXER-BIMETAL; RF9000R,PP,T1.5,NATURAL,FH | SA | 1 |
| 3 | 2 | RI016 | DA96-01456A | ASSY EVAP-REF EVAP MODULE; RF9000A,Fin tu | SA | 1 |
| 3-1 | 3 | | DA32-10104W | SENSOR TEMP; DOUBLE_INSULATION, TPA,L200, | SA | 1 |
| 3-2 | 3 | RK213 | DA61-03683A | FIXER-SENER; AW-PJT,PP,NATURAL,FH44N,V-0 | SA | 1 |
| 3-3 | 3 | RR051 | DA61-06013B | FIXER WIRE; AW3-PJT,PP,T2,NATURAL,HB,BJ75 | SA | 1 |
| 4 | 2 | | DA97-22349C | ASSY COMP N CONDENSING-COND MODULE; RF900 | SNA | 1 |
| 4-1 | 3 | RR021 | 6006-001170 | SCREW-TAPPING; TH,+,WT,2,M4,L10,ZPC(WHT), | SA | 1 |
| 4-2 | 3 | | 6011-007289 | BOLT-HEX; M6,L43.6,SWRCH10A,OD18 | SA | 4 |
| 4-3 | 3 | RK934 | DA39-20389L | ASSY WIRE HARNESS-EARTH; EARTH,ALL,FREE V | SC | 1 |
| 4-4 | 3 | RH732 | DA63-09336B | GROMMET COMP; REF,IIR,BLACK | SA | 4 |
| 4-5 | 3 | | DA97-12557K | ASSY CHASSIS COMP; RF6000T,GI-SGCC,T1.2,9 | SA | 1 |
| 4-5-1 | 4 | RR242 | DA61-04703A | CASTER-REAR; AW-PJT,PP,BLACK,M/B(0103-002 | SA | 2 |
| 4-5-2 | 4 | RX039 | DA66-00649B | SHAFT-CASTER; POLARIS,MSWR10,L44,ID8.0,OD | SA | 2 |
| 4-6 | 3 | RH003 | DA97-15978C | ASSY TRAY DRAIN WATER; RF90000M,PFC(La+Ce | SA | 1 |
| 4-6-1 | 4 | RR008 | 6002-000213 | SCREW-TAPPING; TH,+,1,M4,L12,ZPC(WHT),SWR | SA | 3 |
| 4-6-2 | 4 | RH054 | DA63-04424A | GROMMET-COND SUB; AW,NBR,Black | SA | 1 |

| No. | Lvl. | Loc. | Material Code | Description & Specification | SNA | Qty. |
|-------|------|-------|----------------|---|-----|------|
| 4-6-3 | 4 | | DA63-07323A | GROMMET-IMMERSION PIPE B; ROMANEE CONTI,N | SA | 1 |
| 4-6-4 | 4 | RX020 | DA63-40171B | GROMMET-SUCT PIPE A; NBR,ID4,OD20 | SC | 1 |
| 4-6-5 | 4 | RO132 | DA97-20025A | ASSY SUPPORT-CIRCUIT MOTOR; NW2-FDR,C160N | SA | 1 |
| 4-7 | 3 | | NF94R9151ATE01 | CMP,COMP,REFRIGERATOR,R-600A; CMP,COMP,REFRIGERATOR,R-600A | SA | 1 |
| 4-8 | 3 | RH015 | DA63-06122A | COVER RELAY; MSV,MPPE,T2,BLACK,N300X,V-0 | SA | 1 |
| 4-9 | 3 | | DA96-01170A | ASSY WIRE HARNESS-COMP; ALL,ALL,FREE VOLT | SA | 1 |
| 5 | 2 | RZ110 | DA97-04049E | ASSY CAP-DRAIN; AW3 | SA | 2 |
| 5-1 | 3 | RG141 | DA61-05021A | FIXER-DRAIN; HAEMIL,PP,T0.6,CARMEN WINE,B | SA | 2 |
| 5-2 | 3 | RH890 | DA62-01266B | TUBE PVC; AW3,PVC,OD19.4,L155,BLACK | SA | 2 |
| 5-3 | 3 | RO161 | DA63-02761A | GROMMET-DRAIN; RS18RK,NBR,BLACK | SA | 2 |
| 5-4 | 3 | RZ111 | DA67-01301A | CAP-DRAIN; AW4,HIPS,HB,576H,NATURAL | SA | 2 |
| 6 | 2 | | DA97-08442D | ASSY COVER PCB-PANEL; AW4-4D | SA | 1 |
| 7 | 2 | RH001 | DA97-12749L | ASSY COVER COMP; RF9000M,GL-SAZCC,T0.25,a | SA | 1 |
| 7-1 | 3 | RK671 | DA62-00719P | SEAL-ABSORBER; RF9000K,PU FOAM,T30,W20,L2 | SA | 1 |
| 8 | 2 | RO337 | DK61-00464A | FIXER-STEP MOTOR; RUBY,SWRCH18A | SA | 2 |
| 9 | 2 | RO079 | DA97-22217A | ASSY PIPE CONNECT; RF9000A,Pipe Connect S | SA | 1 |
| 9-1 | 3 | RH085 | DA62-03691A | PIPE CONNECT-SUCTION; RF9000, AW,Cu,OD6.3 | SA | 1 |
| 10 | 2 | RH044 | DA62-04309A | DRYER; C1220T-H,L137,SINGLE MOUTH,For VAL | SA | 1 |
| 11 | 2 | | DA62-04617D | VALVE STEP; DC12V,MODULE,3WAY,LEFT/LEFT b | SA | 1 |
| 12 | 1 | | DA92-00945D | ASSY MODULE; PBA-FUSE BLOCK,BRZ9000M,30*5 | SA | 1 |
| 13 | 2 | RO162 | DA63-00951C | GROMMET-DRAIN HOSE; V2-PJT,NBR,BLACK | SA | 1 |
| 14 | 2 | RH026 | DA73-10190U | PIPE-CONNECT DISC,B; ALL,Cu,C1220T,OD6.35 | SA | 1 |
| 15 | 1 | | DA94-05319M | ASSY PCB EEPROM; 0xEE,D601,D603,D604,D606 | SA | 1 |
| 16 | 2 | | DA63-08943A | GROMMET; BRR9000M,NBR,CAP GROMMET | SA | 1 |
| 17 | 2 | RR963 | 6011-001656 | BOLT-HEX; M6,L16,ZPC(WHT),HH,SWRCH22A,MAC | SA | 4 |
| 18 | 2 | | DA97-08413D | ASSY COVER TUBE FILTER; AW,PP,IEC | SA | 1 |

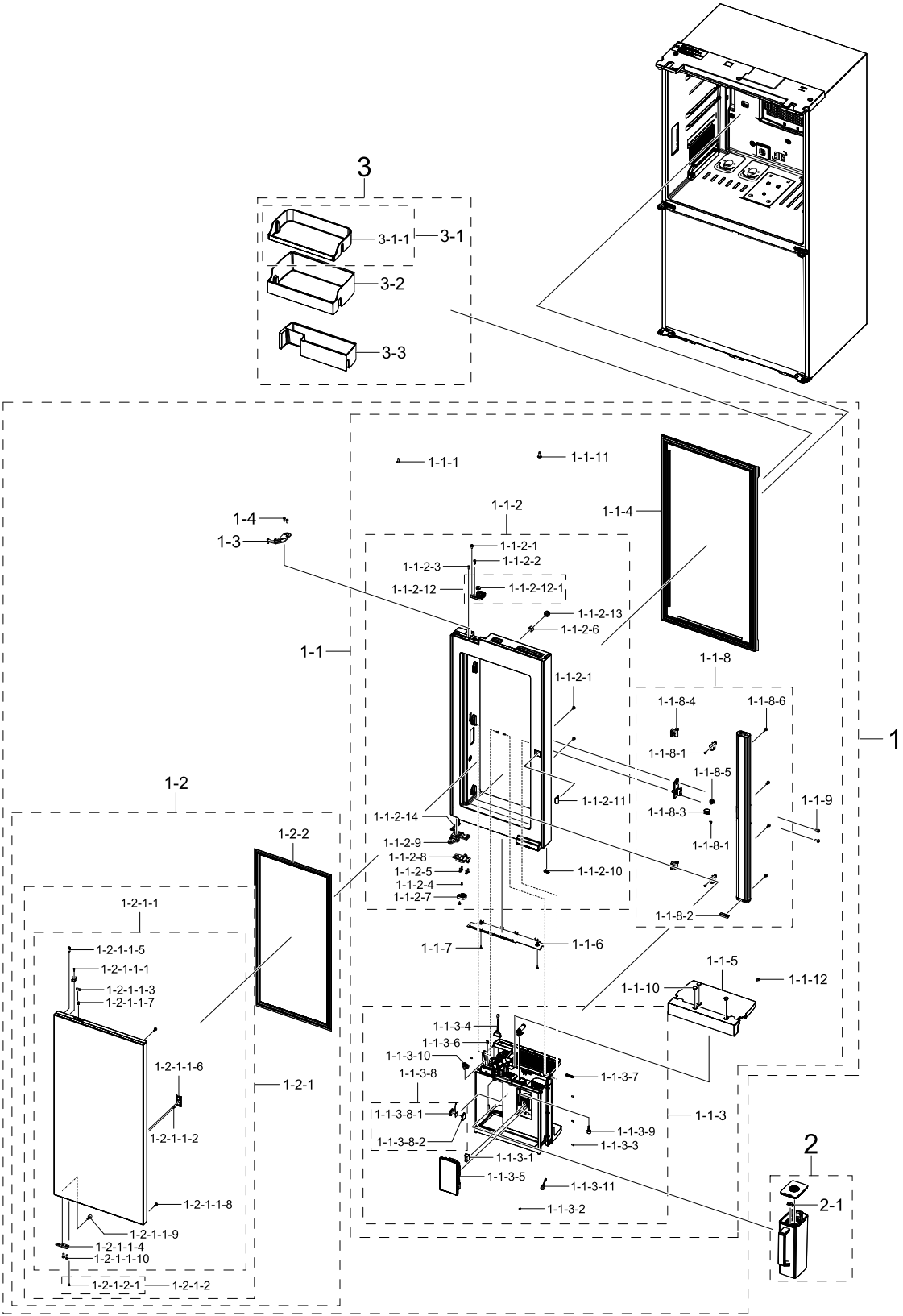
Exploded Views and Parts List

| No. | Lvl. | Loc. | Material Code | Description & Specification | SNA | Qty. |
|------|------|-------|---------------|--|-----|------|
| 18-1 | 3 | | DA63-05403C | COVER FILTER; AW3,PP,T2,NATURAL,FH44N,5VA | SA | 1 |
| 18-2 | 3 | RC016 | DA62-01139C | SEAL CUTT; PE OPEN CELL,T5,W10,L1000 | SA | 0.26 |

5. Door Ref Left

Door Ref Left

Exploded View



Parts List

| No. | Lvl. | Loc. | Material Code | Description & Specification | SNA | Qty. |
|------------|------|-------|---------------|---|-----|------|
| 1 | 2 | | DA93-00941D | ASSY DOOR SUB-REF LEFT; RF9000A,FDSR,VIP(| SNA | 1 |
| 1-1 | 3 | | DA93-00733Q | ASSY DOOR SUB-REF IN LEFT DOOR MODULE; RF | SNA | 1 |
| 1-1-1 | 4 | RR227 | 6001-000715 | SCREW-MACHINE; TH,+,-,M5,L16,ZPC(WHT),SWR | SA | 1 |
| 1-1-2 | 4 | | DA91-05047U | ASSY DOOR FOAM-REF IN LEFT; RF9000A,GRAY, | SA | 1 |
| 1-1-2-1 | 5 | S0025 | 6002-000239 | SCREW-TAPPING; SWRCH18A,ZPC(WHT),L8,M4,TH | SA | 3 |
| 1-1-2-2 | 5 | RR013 | 6002-000613 | SCREW-TAPPING; TH,+,-,2,M5,L16,ZPC(WHT),S | SA | 1 |
| 1-1-2-3 | 5 | RR016 | 6002-001122 | SCREW-TAPPING; FH,+,1,M4,L14,ZPC(WHT),SWR | SC | 3 |
| 1-1-2-4 | 5 | | 6002-001547 | SCREW-TAPPING; FH,+,NO,1,M4,L10,ZPC(WHT), | SA | 1 |
| 1-1-2-5 | 5 | RR023 | 6009-001475 | SCREW-SPECIAL; FH,+,M5,L25(15.5),ZPC(WHT) | SA | 4 |
| 1-1-2-6 | 5 | RX003 | 6021-000258 | NUT-HEXAGON; 3C,M5,ZPC(YEL),MSWR10 | SA | 1 |
| 1-1-2-7 | 5 | | DA61-13385A | SUPPORT DOOR-CLOSE; RF9000R,PK,M33R3A000, | SA | 1 |
| 1-1-2-8 | 5 | | DA61-14211B | STOPPER DOOR-LEFT; RF9000T/RF9900T,PO-SPH | SA | 1 |
| 1-1-2-9 | 5 | | DA97-21336A | ASSY HINGE-LOW LEFT; T4,OUT | SA | 1 |
| 1-1-2-10 | 5 | | DA63-09933A | GROMMET-CAP DOOR; RF9900T,Si,BLACK,T5.0,W | SA | 1 |
| 1-1-2-11 | 5 | | DA66-01342A | LEVER; RF9000R,POM,W30,L50,SO301,CREAMY S | SA | 1 |
| 1-1-2-12 | 5 | RO172 | DA97-12625A | ASSY LEVER-AUTO CLOSE; AW4,POM,BLACK | SA | 1 |
| 1-1-2-12-1 | 6 | RO570 | DA66-00440A | ROLLER-AUTO CLOSE; AW-PJT,PA6+MD40%,BLACK | SA | 1 |
| 1-1-2-13 | 5 | | DA97-20572C | ASSY FIXER-UP; RF9000R(B),CREAMY STAINLES | SNA | 1 |
| 1-1-2-14 | 5 | | DA63-11272A | COVER DOOR-LEFT; RF9000A,ABS,T3,EBONY BLA | SA | 1 |
| 1-1-3 | 4 | | DA97-17399E | ASSY CASE INNER; RF9000A,Beverage Show Ca | SA | 1 |
| 1-1-3-1 | 5 | | 3405-001117 | SWITCH-MICRO; 125/250VAC,1A,80gf,SPST-NO | SA | 1 |
| 1-1-3-2 | 5 | RR131 | 6002-000217 | SCREW-TAPPING; TH,+,NO,1,M4,L8,ZPC(WHT),S | SA | 1 |

| No. | Lvl. | Loc. | Material Code | Description & Specification | SNA | Qty. |
|-----------|------|-------|---------------|--|-----|------|
| 1-1-3-3 | 5 | | 6002-001547 | SCREW-TAPPING; FH,+,NO,1,M4,L10,ZPC(WHT), | SA | 4 |
| 1-1-3-4 | 5 | RY001 | DA34-00043M | SWITCH REED; UL1007 AWG 22,L100 | SA | 1 |
| 1-1-3-5 | 5 | | DA97-17297C | ASSY LEVER DISPENSER; AW facelift,No prin | SA | 1 |
| 1-1-3-6 | 5 | RR094 | DA61-04522A | CLIP-FITTING LOCK; AW,POM,NATURAL,POM | SA | 4 |
| 1-1-3-7 | 5 | RO337 | DA61-11032A | FIXER; RT5000K,PA66,WHITE,KN3322V0,7P Ret | SA | 1 |
| 1-1-3-8 | 5 | | DA97-22004A | ASSY LED LAMP; RF9000A,Beverage Show Case | SNA | 2 |
| 1-1-3-8-1 | 6 | RU012 | DA61-07581A | CASE LAMP-LED; POLARIS,GPPS,20.4,20.4,TP | SA | 2 |
| 1-1-3-8-2 | 6 | | DA63-06505A | COVER LAMP-LED; POLARIS,MABS,HB,NATURAL,T | SA | 2 |
| 1-1-3-9 | 5 | | DA61-13987A | CASE COCK; RS5000T,STS304,METAL SILVER,Wa | SA | 1 |
| 1-1-3-10 | 5 | | DA62-02414A | TUBE-FITTING L; POM,1/4inch,-,-,1/4-1/4 | SA | 1 |
| 1-1-3-11 | 5 | | DA67-04504D | CAP FIXER-TUBE; RR9000A,Si,T3,DARK GRAY | SA | 1 |
| 1-1-4 | 4 | | DA97-21330B | ASSY GASKET-REF; RF9000A | SA | 1 |
| 1-1-5 | 4 | | DA97-21788A | ASSY COVER BASKET; RF9000A,BSC Display | SA | 1 |
| 1-1-6 | 4 | | DA63-09958A | COVER CAP DOOR; RF900T,ABS,T2,DARK GRAY,R | SA | 1 |
| 1-1-7 | 4 | RR009 | 6002-000215 | SCREW-TAPPING; TH,+,1,M4,L16,ZPC(WHT),SWR | SA | 9 |
| 1-1-8 | 4 | | DA97-20599B | ASSY FRENCH; RF9000M,THAI SILVER, 230V, A | SA | 1 |
| 1-1-8-1 | 5 | RR008 | 6002-000213 | SCREW-TAPPING; TH,+,1,M4,L12,ZPC(WHT),SWR | SA | 3 |
| 1-1-8-2 | 5 | RO169 | DA63-06842B | GASKET-FRENCH LOW; AW-PJT,SI,GRAY | SA | 1 |
| 1-1-8-3 | 5 | RE091 | DA67-01701A | CAP-CASE FRENCH MID; AW-PJT,ABS,HI121H,CO | SA | 1 |
| 1-1-8-4 | 5 | RD098 | DA61-08305A | HINGE FRENCH; AW4,PA+ABS,T2,COOL WHITE,HI | SA | 2 |
| 1-1-8-5 | 5 | RE271 | DA63-00991A | GROMMET-DOOR RECESS; A-TOP,Si,White | SA | 1 |
| 1-1-8-6 | 5 | RI220 | DA63-02750A | GROMMET-COVER SLIDE; ET05-PJT,SI,WHITE | SA | 4 |
| 1-1-9 | 4 | RR018 | 6002-001406 | SCREW-TAPPING; SWRCH18A,ZPC(WHT),L12,M4,T | SA | 2 |
| 1-1-10 | 4 | | DA67-30266Q | CAP SCREW; RF9000A,PP,T1.5,BJ730,NEO VICT | SA | 3 |
| 1-1-11 | 4 | RR236 | 6002-000244 | SCREW-TAPPING; TH,+,B,M5,L16,ZPC,SWRCH18A | SA | 1 |

Exploded Views and Parts List

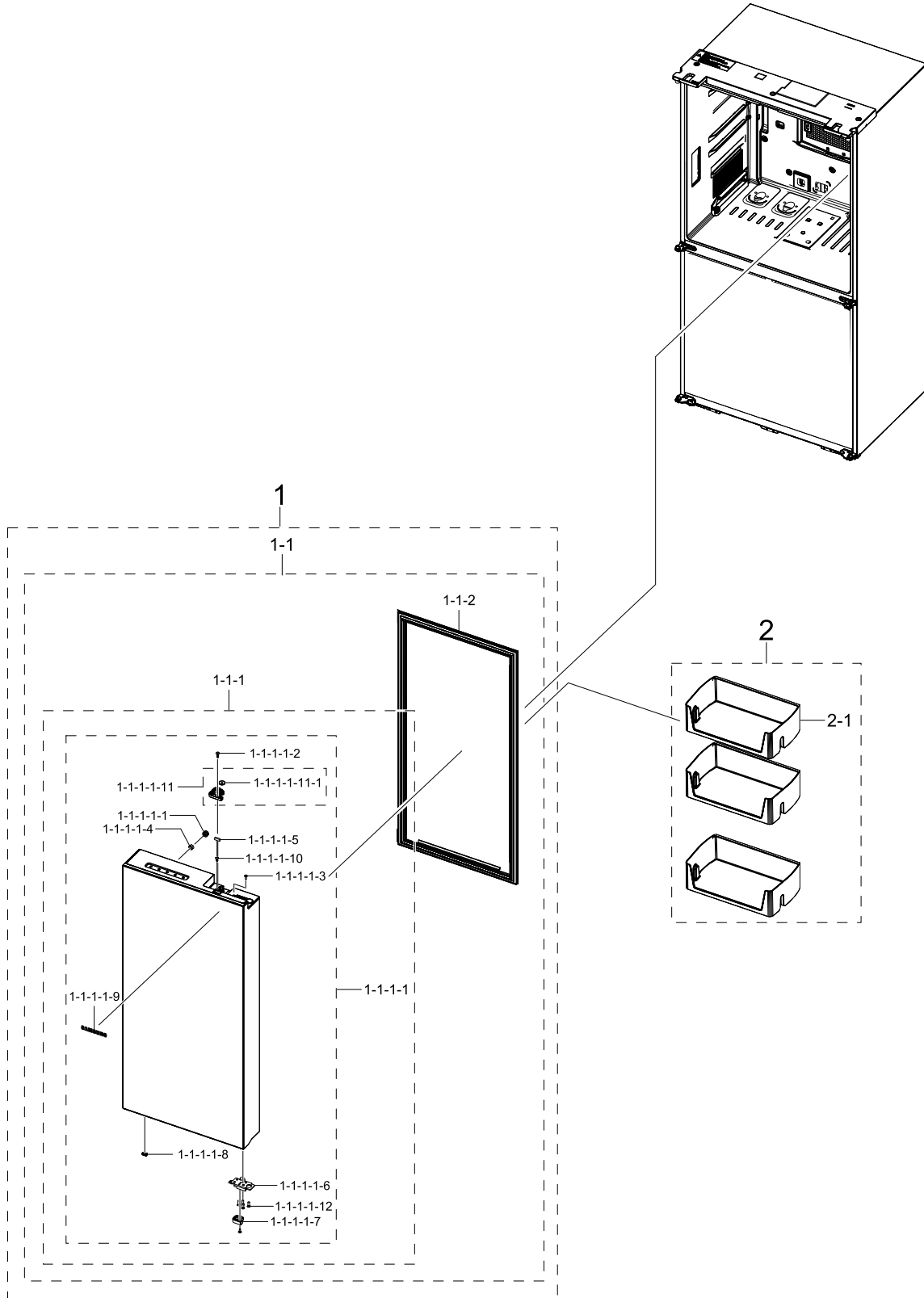
| No. | Lvl. | Loc. | Material Code | Description & Specification | SNA | Qty. |
|------------|------|-------|---------------|---|-----|------|
| 1-1-12 | 4 | | 6002-001547 | SCREW-TAPPING; FH,+,NO,1,M4,L10,ZPC(WHT), | SA | 6 |
| 1-2 | 3 | | DA93-00929F | ASSY DOOR SUB-REF OUT LEFT; RF9000A,SR,GL | SNA | 1 |
| 1-2-1 | 4 | | DA91-05486F | ASSY DOOR FOAM-REF OUT LEFT; RF9000A,SR,G | SA | 1 |
| 1-2-1-1 | 5 | | DA97-22066F | ASSY PLATE DOOR-REF OUT LEFT; RF9000A,SR, | SNA | 1 |
| 1-2-1-1-1 | 6 | RR009 | 6002-000215 | SCREW-TAPPING; TH,+,1,M4,L16,ZPC(WHT),SWR | SA | 1 |
| 1-2-1-1-2 | 6 | | 6002-001547 | SCREW-TAPPING; FH,+,NO,1,M4,L10,ZPC(WHT), | SA | 1 |
| 1-2-1-1-3 | 6 | RY479 | DA61-03769A | MAGNET-A; HERMES,FERRITE,5x7x18,1600Gauss | SA | 1 |
| 1-2-1-1-4 | 6 | | DA61-13384A | STOPPER DOOR-REF LOW; RF9000R,PO-SPHC,T4, | SA | 1 |
| 1-2-1-1-5 | 6 | | DA63-07545B | GROMMET HINGE-MIDDLE; FDSR,PA66+GF15%,BLA | SA | 2 |
| 1-2-1-1-6 | 6 | | DA63-09537A | COVER LOCK; RF9000R,ABS,T2.5,INOX GRAY,AB | SA | 1 |
| 1-2-1-1-7 | 6 | RU495 | DA67-02795C | CAP-SHAFT HOLE; AW3,ABS,HG-0760GP,SNOW WH | SA | 2 |
| 1-2-1-1-8 | 6 | RI220 | DA63-02750B | GROMMET-COVER SLIDE; QUEEN09,SI,LUXURY BL | SA | 2 |
| 1-2-1-1-9 | 6 | | DA63-09942A | GROMMET DOOR; RF9000T,Si,BLACK,W11.4, H11 | SA | 1 |
| 1-2-1-1-10 | 6 | RK548 | 6001-000570 | SCREW-MACHINE; FH,+,M5,L16,ZPC(WHT),SWRCH | SA | 2 |
| 1-2-1-2 | 5 | | DA97-20029E | ASSY PANEL; RF9000A,NON MOVING GUARD, ANT | SNA | 1 |
| 1-2-1-2-1 | 6 | RR131 | 6002-000217 | SCREW-TAPPING; TH,+,NO,1,M4,L8,ZPC(WHT),S | SA | 1 |
| 1-2-2 | 4 | | DA97-20057A | ASSY GASKET; RF9000R,DARK GRAY | SA | 1 |
| 1-3 | 3 | | DA97-20039C | ASSY HINGE-UP LEFT; RF9000A,T4,OUT, Remov | SA | 1 |
| 1-4 | 3 | RK548 | 6001-000570 | SCREW-MACHINE; FH,+,M5,L16,ZPC(WHT),SWRCH | SA | 2 |
| 2 | 2 | | DA97-21261E | ASSY CASE WATER FILTER; RF9000A,Beverage s | SA | 1 |
| 2-1 | 3 | RY482 | DA61-02738A | ASSY MAGNET; CORE-PJT,FERRITE,-,- | SA | 1 |
| 3 | 2 | | DA97-21910A | ASSY GUARD PACKING-DOOR BIN MODULE; RF900 | SNA | 1 |
| 3-1 | 3 | | DA97-15186E | ASSY GUARD-REF UP; RF9000N,TP GRAY | SA | 1 |
| 3-1-1 | 4 | | DA63-07966E | GUARD-REF UP; RF9000N,GPPS,TP GRAY | SA | 1 |

| No. | Lvl. | Loc. | Material Code | Description & Specification | SNA | Qty. |
|-----|------|-------|---------------|--|-----|------|
| 3-2 | 3 | | DA97-21960A | ASSY GUARD-REF MIDDLE; RF9000A,SAN,T3,TP | SA | 1 |
| 3-3 | 3 | RI161 | DA97-21914A | ASSY GUARD-REF LOW; RF9000A,TP GRAY,BSC S | SA | 1 |

6. Door Ref Right

Door Ref Right

Exploded View



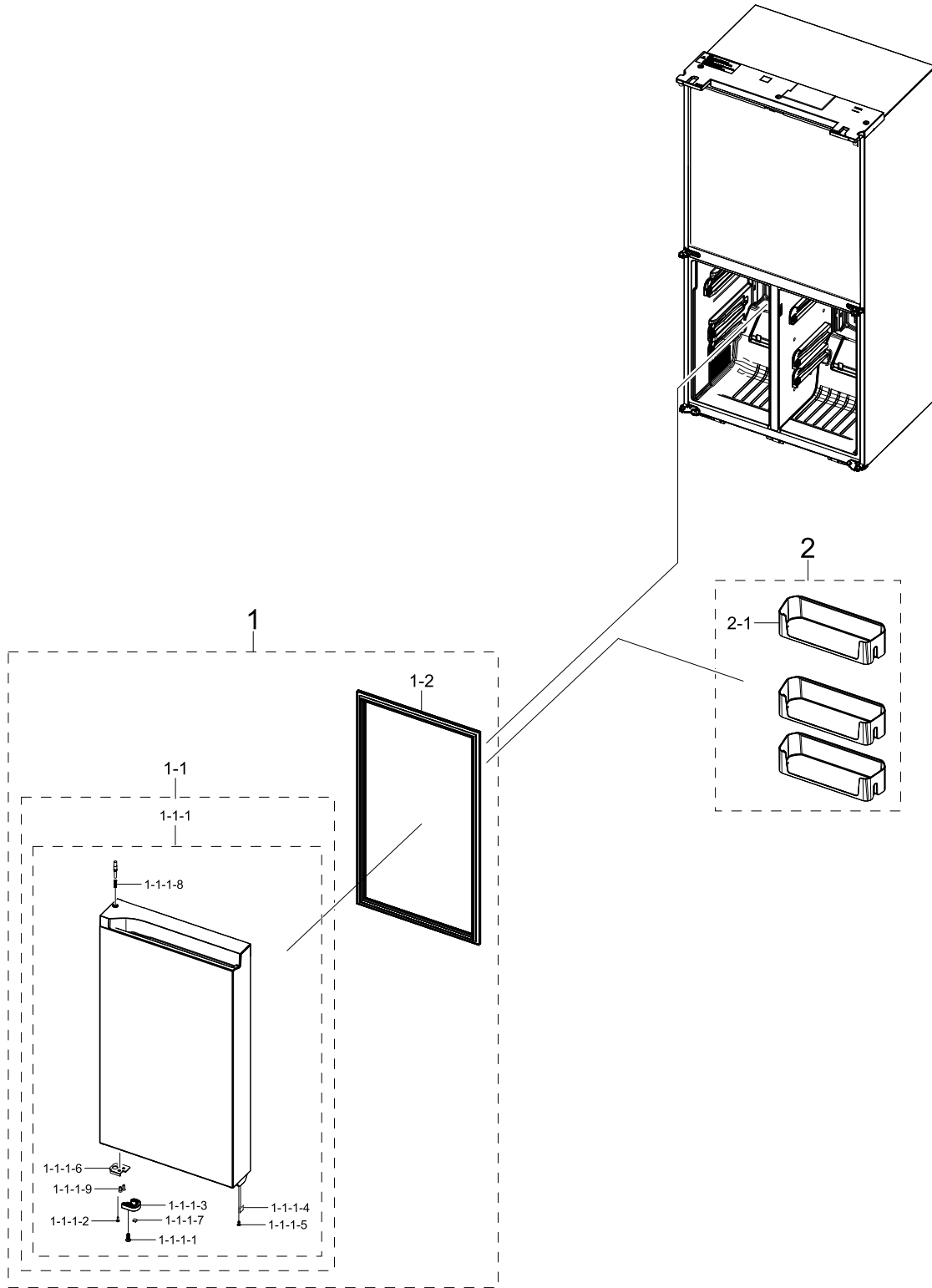
Parts List

| No. | Lvl. | Loc. | Material Code | Description & Specification | SNA | Qty. |
|---------------|------|-------|---------------|--|-----|------|
| 1 | 2 | | DA93-00996E | ASSY DOOR SUB-REF RIGHT; RF9000A,SR,-,-,- | SNA | 1 |
| 1-1 | 3 | | DA93-00931E | ASSY DOOR SUB-REF RIGHT DOOR MODULE; RF90 | SNA | 1 |
| 1-1-1 | 4 | | DA91-05484E | ASSY DOOR FOAM-REF RIGHT; RF9000A,SR,GLOB | SA | 1 |
| 1-1-1-1 | 5 | | DA97-22064E | ASSY PLATE DOOR-REF RIGHT; RF9000A,SR,GLO | SNA | 1 |
| 1-1-1-1-1 | 6 | | DA97-20572C | ASSY FIXER-UP; RF9000R(B),CREAMY STAINLES | SNA | 1 |
| 1-1-1-1-2 | 6 | RR013 | 6002-000613 | SCREW-TAPPING; TH,+,-,2,M5,L16,ZPC(WHT),S | SA | 1 |
| 1-1-1-1-3 | 6 | RR016 | 6002-001122 | SCREW-TAPPING; FH,+,1,M4,L14,ZPC(WHT),SWR | SC | 1 |
| 1-1-1-1-4 | 6 | RX003 | 6021-000258 | NUT-HEXAGON; 3C,M5,ZPC(YEL),MSWR10 | SA | 1 |
| 1-1-1-1-5 | 6 | RY479 | DA61-03769A | MAGNET-A; HERMES,FERRITE,5x7x18,1600Gauss | SA | 1 |
| 1-1-1-1-6 | 6 | | DA61-14210B | STOPPER DOOR-RIGHT; RF9000T/RF9900T,PO-SP | SA | 1 |
| 1-1-1-1-7 | 6 | | DA61-13385A | SUPPORT DOOR-CLOSE; RF9000R,PK,M33R3A000, | SA | 1 |
| 1-1-1-1-8 | 6 | | DA63-09933A | GROMMET-CAP DOOR; RF9900T,Si,BLACK,T5.0,W | SA | 1 |
| 1-1-1-1-9 | 6 | RO716 | DA64-04021C | MASCOT; ALL,Ni,T0.06,L90 | SA | 1 |
| 1-1-1-1-10 | 6 | RU495 | DA67-02795C | CAP-SHAFT HOLE; AW3,ABS,HG-0760GP,SNOW WH | SA | 1 |
| 1-1-1-1-11 | 6 | RO172 | DA97-12625A | ASSY LEVER-AUTO CLOSE; AW4,POM,BLACK | SA | 1 |
| 1-1-1-1-11-16 | 16 | RO570 | DA66-00440A | ROLLER-AUTO CLOSE; AW-PJT,PA6+MD40%,BLACK | SA | 1 |
| 1-1-1-1-12 | 6 | RR023 | 6009-001475 | SCREW-SPECIAL; FH,+,M5,L25(15.5),ZPC(WHT) | SA | 4 |
| 1-1-2 | 4 | | DA97-21330B | ASSY GASKET-REF; RF9000A | SA | 1 |
| 2 | 2 | | DA97-21908A | ASSY GUARD PACKING-DOOR BIN MODULE; RF900 | SNA | 1 |
| 2-1 | 3 | RI155 | DA97-21912A | ASSY GUARD-REF; RF9000A,TP GRAY,BASIC | SA | 3 |

7. Door Fre Left

Door Fre Left

Exploded View



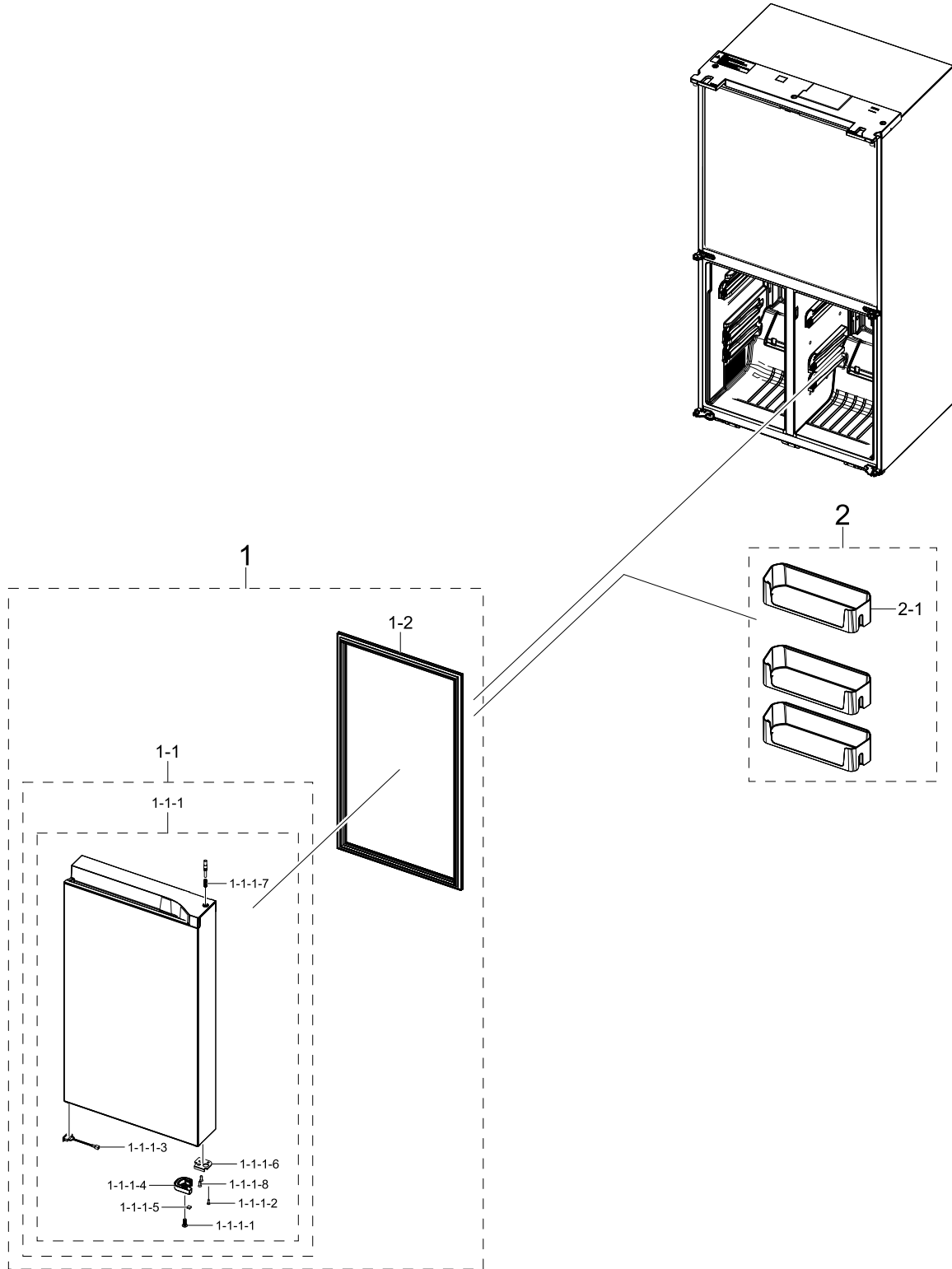
Parts List

| No. | Lvl. | Loc. | Material Code | Description & Specification | SNA | Qty. |
|---------|------|-------|---------------|--|-----|------|
| 1 | 2 | | DA93-00933E | ASSY DOOR SUB-FRE LEFT DOOR MODULE; RF900 | SNA | 1 |
| 1-1 | 3 | | DA91-05480E | ASSY DOOR FOAM-FRE LEFT; RF9000A,SR,VIP,G | SA | 1 |
| 1-1-1 | 4 | | DA97-22060E | ASSY PLATE DOOR-FRE LEFT; RF9000A,SR,VIP, | SNA | 1 |
| 1-1-1-1 | 5 | RR013 | 6002-000613 | SCREW-TAPPING; TH,+,-2,M5,L16,ZPC(WHT),S | SA | 1 |
| 1-1-1-2 | 5 | RR015 | 6002-001120 | SCREW-TAPPING; FH,+1,M4,L18,ZPC(WHT),SWR | SA | 1 |
| 1-1-1-3 | 5 | RU262 | DA61-02383A | SUPPORT DOOR-CLOSE; AW,PK,M33R3A000,NATUR | SA | 1 |
| 1-1-1-4 | 5 | RY478 | DA61-03769B | MAGNET; SVETA,FERRITE,1600Gauss | SA | 1 |
| 1-1-1-5 | 5 | RU495 | DA67-02795C | CAP-SHAFT HOLE; AW3,ABS,HG-0760GP,SNOW WH | SA | 1 |
| 1-1-1-6 | 5 | RD070 | DA61-08816A | STOPPER DOOR-L; ROMANEE CONTI,PO-SPHC,T2. | SA | 1 |
| 1-1-1-7 | 5 | RR067 | DA63-40294A | GROMMET-STOPPER; T3XW8XL8,PP+TD20%,NATURA | SA | 1 |
| 1-1-1-8 | 5 | RD214 | DA61-05366A | SPRING ETC-HANDLE; SVETA-PJT,STS304,ID5.4 | SA | 1 |
| 1-1-1-9 | 5 | | 6002-001669 | SCREW-TAPPING; SWRCH18A,ZPC(WHT),L20,M5,F | SA | 2 |
| 1-2 | 3 | | DA97-21224B | ASSY GASKET-FRE; RF9000AC,Kitchen Fit | SA | 1 |
| 2 | 2 | | DA97-20081A | ASSY GUARD PACKING-DOOR BIN MODULE; RF900 | SNA | 1 |
| 2-1 | 3 | RD349 | DA97-19996A | ASSY GUARD-FRE; RF9000R,GPPS,TP GRAY | SA | 3 |

8. Door Fre Right

Door Fre Right

Exploded View



Parts List

| No. | Lvl. | Loc. | Material Code | Description & Specification | SNA | Qty. |
|---------|------|-------|---------------|--|-----|------|
| 1 | 2 | | DA93-00934E | ASSY DOOR SUB-FRE RIGHT DOOR MODULE; RF90 | SNA | 1 |
| 1-1 | 3 | | DA91-05481E | ASSY DOOR FOAM-FRE RIGHT; RF9000A,SR,VIP, | SA | 1 |
| 1-1-1 | 4 | | DA97-22070E | ASSY PLATE DOOR-FRE RIGHT; RF9000A,SR,VIP | SNA | 1 |
| 1-1-1-1 | 5 | RR013 | 6002-000613 | SCREW-TAPPING; TH,+,-2,M5,L16,ZPC(WHT),S | SA | 1 |
| 1-1-1-2 | 5 | RR015 | 6002-001120 | SCREW-TAPPING; FH,+1,M4,L18,ZPC(WHT),SWR | SA | 1 |
| 1-1-1-3 | 5 | RY001 | DA34-00043L | SWITCH REED; UL1007 AWG 22,L100 | SA | 1 |
| 1-1-1-4 | 5 | RU262 | DA61-02383A | SUPPORT DOOR-CLOSE; AW,PK,M33R3A000,NATUR | SA | 1 |
| 1-1-1-5 | 5 | RR067 | DA63-40294A | GROMMET-STOPPER; T3XW8XL8,PP+TD20%,NATURA | SA | 1 |
| 1-1-1-6 | 5 | RE439 | DA61-08817A | STOPPER DOOR-R; ROMANEE CONTI,PO-SPHC,T2. | SA | 1 |
| 1-1-1-7 | 5 | RD214 | DA61-05366A | SPRING ETC-HANDLE; SVETA-PJT,STS304,ID5.4 | SA | 1 |
| 1-1-1-8 | 5 | | 6002-001669 | SCREW-TAPPING; SWRCH18A,ZPC(WHT),L20,M5,F | SA | 2 |
| 1-2 | 3 | | DA97-21224B | ASSY GASKET-FRE; RF9000AC,Kitchen Fit | SA | 1 |
| 2 | 2 | | DA97-20081A | ASSY GUARD PACKING-DOOR BIN MODULE; RF900 | SNA | 1 |
| 2-1 | 3 | RD349 | DA97-19996A | ASSY GUARD-FRE; RF9000R,GPPS,TP GRAY | SA | 3 |