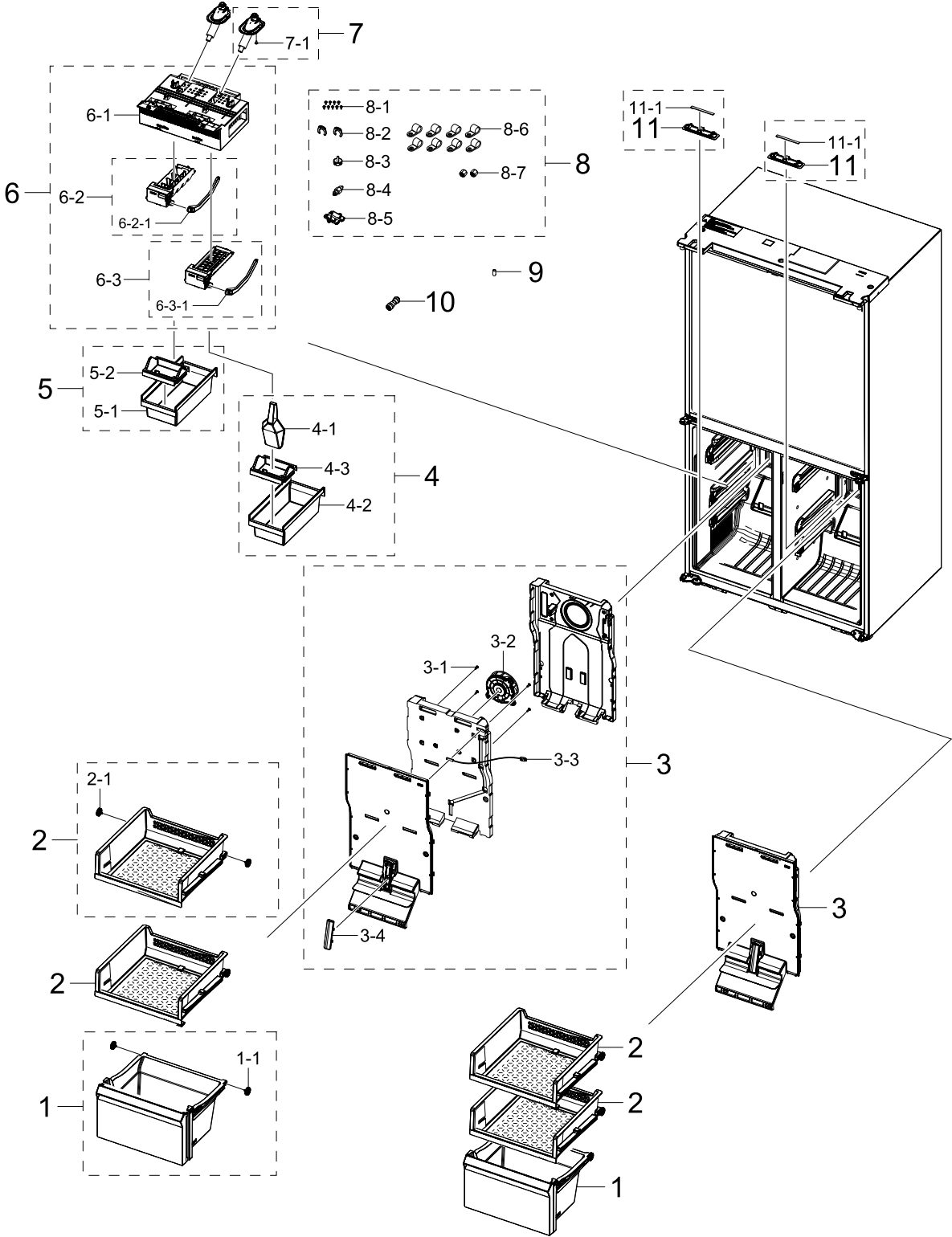


1. Freezer

Freezer

Exploded View



Parts List

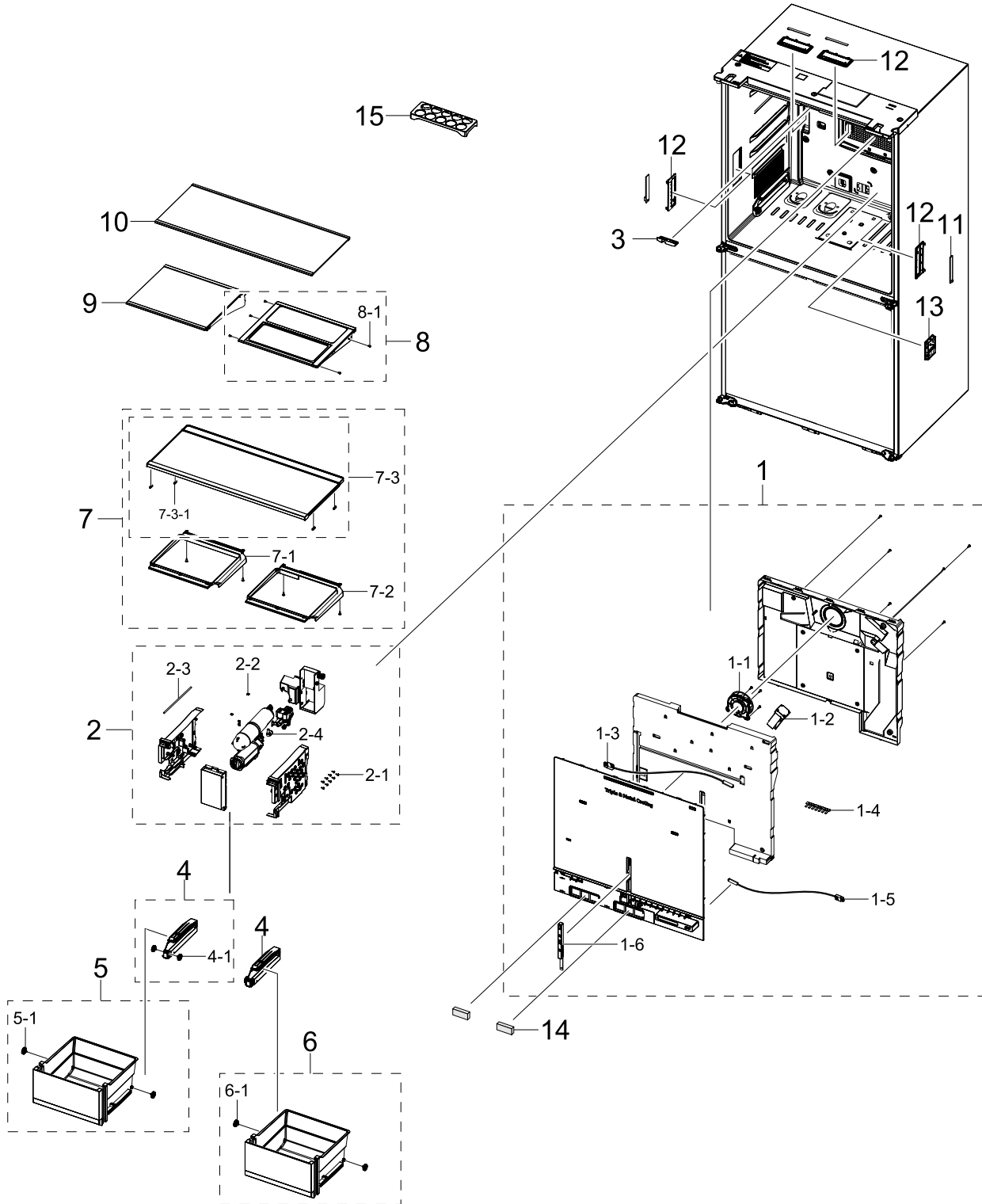
No.	Lvl.	Loc.	Material Code	Description & Specification	SNA	Qty.
1	2		DA97-21875A	ASSY CASE BASKET-LOW DRAWER MODULE; RF900	SA	2
1-1	3		DA97-19988A	ASSY ROLLER; RF9000K,29	SA	4
2	2		DA97-21798A	ASSY SHELF-SLIDE FRE SHELF MODULE; RF7000	SA	4
2-1	3		DA97-19988A	ASSY ROLLER; RF9000K,29	SA	8
3	2	RF005	DA97-16139B	ASSY COVER EVAP-FRE; RF9000JC,NON LED LIG	SA	2
3-1	3	RR334	6002-001204	SCREW-TAPPING; TH,+,-,1,M4,L16,PASS,STS43	SA	8
3-2	3		DA31-00334C	MOTOR BLDC FAN;12035GE-12M-YT,1775±7%,12	SA	2
3-3	3	RI139	DA32-00011C	SENSOR TEMP;QUEEN,-50 ~ 80 °C,5V,R SENSOR	SA	2
3-4	3		DA63-03056C	COVER-LED; MOUTON-PJT,HIPS,HB,COOL WHITE,	SA	2
4	2		DA97-21793A	ASSY CASE ICE; RF9000AC,CD	SNA	1
4-1	3		DA61-14309A	CASE ICE-SCOOP; RF9900T,PCTG,T2,TP GRAY,J	SA	1
4-2	3		DA61-14444A	CASE ICE-CUBE; RF9000AC,GPPS,T2.5,TP GRAY	SA	2
4-3	3		DA63-11280A	COVER ICE-FRE; RF9000A,PCTG,T2,TP GRAY,JN	SA	2
5	2		DA97-21793B	ASSY CASE ICE; RF7000AC,CD, without SCOOP	SNA	1
5-1	3		DA61-14444A	CASE ICE-CUBE; RF9000AC,GPPS,T2.5,TP GRAY	SA	2
5-2	3		DA63-11280A	COVER ICE-FRE; RF9000A,PCTG,T2,TP GRAY,JN	SA	2
6	2	RM061	DA97-21804A	ASSY ICE MAKER-ICE MODULE; RF9000A,DUAL	SNA	1
6-1	3		DA61-14435A	SUPPORT ICE MAKER; RF9000A,HIPS,T3,S834S1	SA	1
6-2	3		DA97-22160A	ASSY CASE ICE; RF9000A,SERVICE (NUGGET)	SA	1
6-2-1	4	RD273	DA61-14661A	GUIDE ICE; RF9000A,PP,BJ750,NATURAL,RF900	SA	2
6-3	3		DA97-22162A	ASSY CASE ICE; RF9000A,SERVICE (CUBE)	SA	1
6-3-1	4	RD273	DA61-14661A	GUIDE ICE; RF9000A,PP,BJ750,NATURAL,RF900	SA	2
7	2		DA97-21801A	ASSY PIPE WATER ICE; RF9000A,1/4, CUBE,AI	SA	2
7-1	3	S0025	6002-000239	SCREW-TAPPING; SWRCH18A,ZPC(WHT),L8,M4,TH	SA	2
8	2	RI069	DA97-11752E	ASSY INSTALL-FILTER; AW2,AW3(GLOBAL),NO W	SC	1
8-1	3	RR008	6002-000213	SCREW-TAPPING; TH,+,1,M4,L12,ZPC(WHT),SWR	SA	9

No.	Lvl.	Loc.	Material Code	Description & Specification	SNA	Qty.
8-2	3	RR094	DA61-04522A	CLIP-FITTING LOCK; AW,POM,NATURAL,POM	SA	2
8-3	3	RC001	DA62-01329A	PIPE-CONNECT WATER PACKING; ET-PJT,BRASS,	SA	1
8-4	3	RO207	DA62-01378B	VALVE-FITTING PU; AT06,C3604	SA	1
8-5	3	RU304	DA63-04744A	COVER-CHECK VALVE; HM,PP,HB,INNER GRAY,CN	SA	1
8-6	3	RW963	DA65-20110B	CABLE CLAMP; PA66	SA	8
8-7	3	RR072	DA74-00070B	VALVE-FITTING NUT; A-TOP,C3604,gold	SA	2
9	2	RY761	DA60-00258B	FITTING TUBE; PP,ID1/4,1/4'- 1/4'	SA	1
10	2	RU302	DA73-00211A	RUBBER-CAP HOSE; i4-PJT,SILICON RUBBER,GR	SA	1
11	2	RI370	DA63-04921B	COVER LAMP-LED FRONT; CULLINAN,SBC,HB,NAT	SA	2
11-1	5		DA41-00519P	ASSY LAMP LED; 3ea,CEM-1,100*20,WHITE,SMA	SA	2

2. Fridge

Fridge

Exploded View



Parts List

No.	Lvl.	Loc.	Material Code	Description & Specification	SNA	Qty.
1	2	RI008	DA97-21806B	ASSY COVER EVAP-REF COVER EVAP MODULE; RF	SA	1
1-1	3		DA31-00334D	MOTOR BLDC FAN;12035GE-12M-YT,1775g@7%,12	SA	1
1-2	3		DA31-00346B	MOTOR GEARED DC DAMPER; NSBY001TR1,DC12V,	SA	1
1-3	3		DA32-00070E	SENSOR TEMP; SC41198-021A,1100mm,13.2kohm	SA	1
1-4	3	RO337	DA61-11032A	FIXER; RT5000K,PA66,WHITE,KN3322V0,7P Ret	SA	1
1-5	3		DA32-00070D	SENSOR TEMP; SC41199-021A,L900,13.2kohm,2	SA	1
1-6	3		DA61-14455A	ANGLE SHELF-REF MIDDLE; GI-SGCC,T2.5,RF90	SA	1
2	2		DA97-21797B	ASSY CASE FILTER; RF9000AC,220V	SA	1
2-1	3	RR008	6002-000213	SCREW-TAPPING; TH,+,1,M4,L12,ZPC(WHT),SWR	SA	8
2-2	3	RR094	DA61-04522A	CLIP-FITTING LOCK; AW,POM,NATURAL,POM	SA	9
2-3	3	RY760	DA62-01368F	PIPE-WATER LINE; Dispenser Model,PE,OD6.3	SA	2
2-4	3		DA62-03103A	TUBE-FITTING L; AW33,POM	SA	1
3	2	RI211	DA61-04285A	GUIDE-FRENCH; OPUS1-14,PC+ABS,HB,HR-1008B	SA	1
4	2		DA97-21876A	ASSY RAIL-MIDDLE LEFT; RF9000AC,CD	SA	2
4-1	3		DA97-19988A	ASSY ROLLER; RF9000K,29	SA	4
5	2	RI001	DA97-21878B	ASSY CASE VEG-LOW; RF9000AC,CD,CRISPER+,L	SA	1
5-1	3		DA97-19988A	ASSY ROLLER; RF9000K,29	SA	2
6	2	RI001	DA97-21878C	ASSY CASE VEG-LOW; RF9000AC,CD,FLEX CRISP	SA	1
6-1	3		DA97-19988A	ASSY ROLLER; RF9000K,29	SA	2
7	2		DA97-21902B	ASSY SHELF VEG-LOW; RF9000AC,COVER VEG-UP	SNA	1
7-1	3	RI577	DA63-11228A	COVER VEG-UP; RF9000AC,HIPS,T2,COOL WHITE	SA	1
7-2	3	RI577	DA63-11229A	COVER VEG-UP; RF9000AC,HIPS,T2,COOL WHITE	SA	1
7-3	3		DA97-21902A	ASSY SHELF VEG-LOW; RF9000AC	SA	1
7-3-1	4		DA64-03784A	TRIM SHELF; ARAM,LDPE,MB9500,COOL WHITE	SA	4
8	2		DA97-21895A	ASSY SHELF QUICK SPACE; RF9000AC,LUMINOUS	SA	1
8-1	3	RR128	6002-001397	SCREW-TAPPING; TH,+,-,B,M4,L8,ZPC(WHT),SW	SA	5

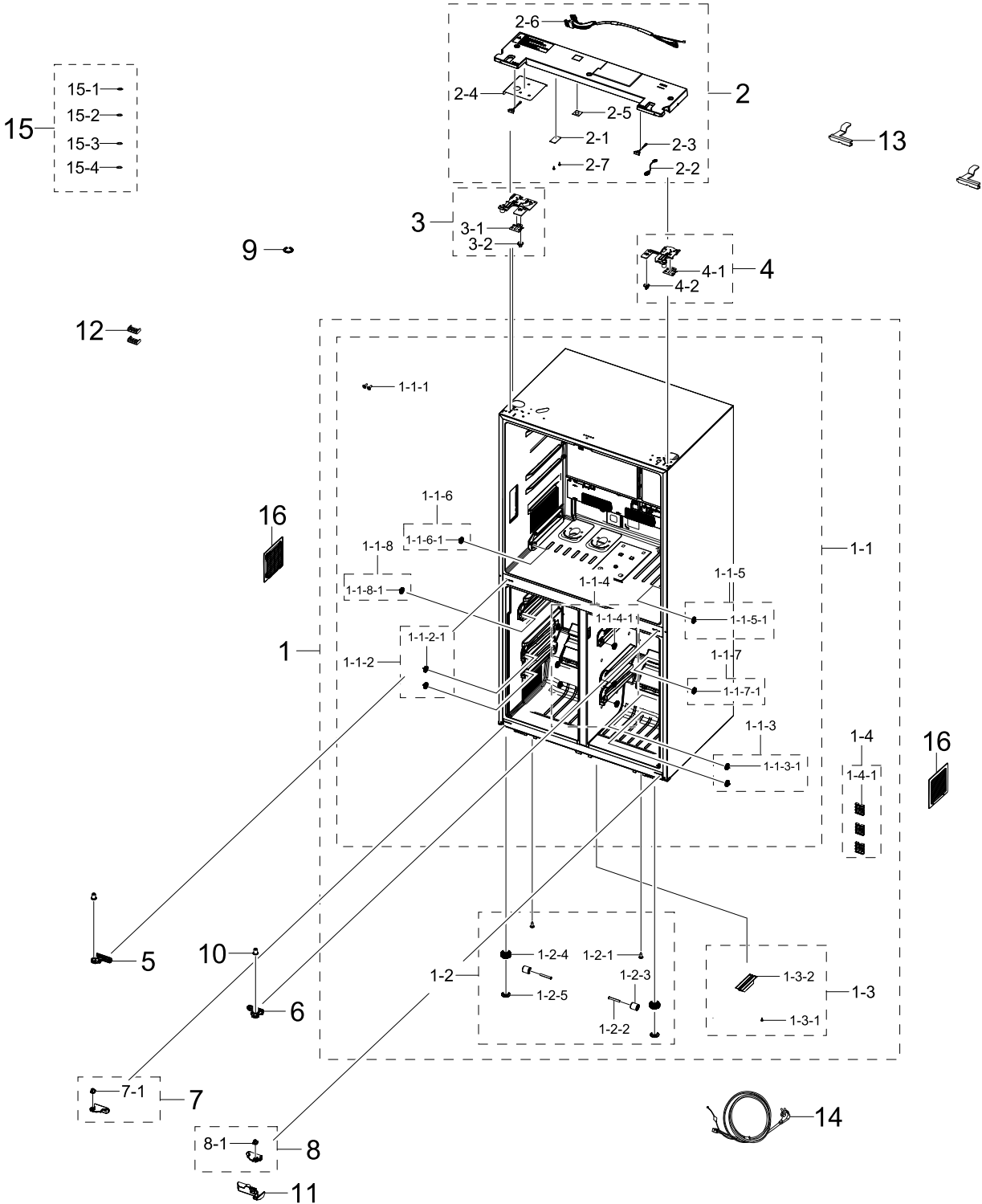
Exploded Views and Parts List

No.	Lvl.	Loc.	Material Code	Description & Specification	SNA	Qty.
9	2	RI037	DA97-20042G	ASSY SHELF-REF; RF9000AC,SHELF FIXED LEFT	SA	1
10	2	RI041	DA97-21898A	ASSY SHELF-REF UP; RF9000AC,LUMINOUS TRIM	SA	1
11	5		DA96-01119A	ASSY LAMP LED; 3EA,FR-4,150*12,WHITE,SMAW	SA	4
12	2		DA97-16143B	ASSY COVER LAMP; RF8000MC	SA	4
13	2	RO707	DA97-21808F	ASSY COVER CONTROL; RF9000A,SIMPLE UX, LC	SA	1
14	2		DA02-00244A	CATALYST; T5,W100,L100,Mesh+Fouder Type	SA	2
15	2		DA97-22161A	ASSY TRAY EGG; RF9000A,TP BLUE	SA	1

3. Cabinet

Cabinet

Exploded View



Parts List

No.	Lvl.	Loc.	Material Code	Description & Specification	SNA	Qty.
1	2		DA97-22028U	ASSY CABI FORM-CABI MODULE; RF9000A,CD,22	SNA	1
1-1	3		DA94-05843N	ASSY LINER; RF9000A,CD,FDSR-L,220V,BSC,DU	SNA	1
1-1-1	4	RR009	6002-000215	SCREW-TAPPING; TH,+,1,M4,L16,ZPC(WHT),SWR	SA	2
1-1-2	4		DA97-15419A	ASSY RAIL-LEFT; RF9000JC	SNA	2
1-1-2-1	5		DA97-19988A	ASSY ROLLER; RF9000K,29	SA	2
1-1-3	4		DA97-15420A	ASSY RAIL-RIGHT; RF9000JC	SNA	2
1-1-3-1	5		DA97-19988A	ASSY ROLLER; RF9000K,29	SA	2
1-1-4	4		DA97-21953A	ASSY PARTITION-FRE V; RF9000AC,DEPTH 610	SNA	1
1-1-4-1	5		DA97-19988A	ASSY ROLLER; RF9000K,29	SA	6
1-1-5	4		DA97-21970A	ASSY RAIL-REF LOW RIGHT; RF9000AC	SNA	1
1-1-5-1	5		DA97-19988A	ASSY ROLLER; RF9000K,29	SA	1
1-1-6	4		DA97-21971A	ASSY RAIL-REF LOW LEFT; RF9000AC	SNA	1
1-1-6-1	5		DA97-19988A	ASSY ROLLER; RF9000K,29	SA	1
1-1-7	4		DA97-21972A	ASSY RAIL-FRE UP RIGHT; RF9000AC	SNA	1
1-1-7-1	5		DA97-19988A	ASSY ROLLER; RF9000K,29	SA	1
1-1-8	4		DA97-21973A	ASSY RAIL-FRE UP LEFT; RF9000AC	SNA	1
1-1-8-1	5		DA97-19988A	ASSY ROLLER; RF9000K,29	SA	1
1-2	3		DA97-15376X	ASSY CABI-BOTTOM FRONT; RF9000R,EXPORT, U	SNA	1
1-2-1	4	RR008	6002-000213	SCREW-TAPPING; TH,+,1,M4,L12,ZPC(WHT),SWR	SA	2
1-2-2	4	RH012	DA61-01920A	FIXER-CASTER; ZPC2,SWRCH10A,OD8.0,L58	SA	2
1-2-3	4	RO360	DA61-04702A	CASTER-FRONT; AW-PJT,PP,BLACK	SA	2
1-2-4	4	RO100	DA61-07280A	FOOT-FRONT; SUPER STAR,RT7000K,PP,BLACK,(SA	2
1-2-5	4		DA63-06285A	COVER-FOOT; SUPER STAR,RT7000K,PP,T2.5,BL	SA	2
1-3	3		DA97-22003J	ASSY CABI FRAME-BOTTOM; RF9000AC,SIDE COO	SNA	1
1-3-1	4	RR008	6002-000213	SCREW-TAPPING; TH,+,1,M4,L12,ZPC(WHT),SWR	SA	14
1-3-2	4		DA64-05373D	TRIM BLADE; RF9000A,PVC,SHGS-L130-67-01G,	SA	1
1-4	3		DA97-21999G	ASSY CABI FRAME-REAR; RF9000A / RF9000AC,	SNA	1
1-4-1	4	RO337	DA61-11296A	FIXER; AW3-14,HIPS,NATURAL,576H	SA	3
2	2	RO133	DA97-19977C	ASSY TOP TABLE; RF9000AC / RF7000AC,INOX	SA	1

No.	Lvl.	Loc.	Material Code	Description & Specification	SNA	Qty.
2-1	3		4709-002948	W-LAN MODULE; CWAP210M,MT7686,IEEE802.11,	SA	1
2-2	3	RO302	DA32-00074A	SENSOR HUMIDITY; 5V,0~100%RH,REF	SA	1
2-3	3	RY001	DA34-00043L	SWITCH REED; UL1007 AWG 22,L100	SA	2
2-4	3		DA61-13772A	PLATE COVER-FRE; RF9000JC,GL-SAZCC,T0.25,	SA	1
2-5	3		DA92-00817A	ASSY MODULE; BUZZER PBA,RB6000K	SA	1
2-6	3		DA96-01466A	ASSY WIRE HARNESS-TOP; RF9000A,BUZZER,WIF	SA	1
2-7	3	RR014	6002-000630	SCREW-TAPPING; PH,+,2S,M3,L8,ZPC(WHT),SWR	SA	2
3	2		DA97-19972A	ASSY HINGE-UP LEFT; RF9000R,T3,BLACK	SA	1
3-1	3	RK777	DA63-50192A	SHIM-HINGE UPP; PVC,T1.0,NATURAL,T1.0	SA	2
3-2	3	RO175	DA66-00950A	CAM-AUTO CLOSE L; AW4,POM,BLACK,500P	SA	1
4	2		DA97-19973A	ASSY HINGE-UP RIGHT; RF9000R,T3,BLACK	SA	1
4-1	3	RK777	DA63-50192A	SHIM-HINGE UPP; PVC,T1.0,NATURAL,T1.0	SA	2
4-2	3	RO573	DA66-00951A	CAM-AUTO CLOSE R; AW4,POM,BLACK,500P	SA	1
5	2		DA61-13376A	HINGE-MIDDLE LEFT; RF9000R,Zn,T8,-,-,-,-,	SA	1
6	2		DA61-13377A	HINGE-MIDDLE RIGHT; RF9000R,Zn,T8,-,-,-,-	SA	1
7	2		DA97-21238B	ASSY HINGE-LOW LEFT; RF9000T,T8,BLACK PLA	SA	1
7-1	3		DA63-09856A	GROMMET HINGE-LOW; RF9900T,POM,BLACK,LEFT	SA	1
8	2		DA97-21227B	ASSY HINGE-LOW RIGHT; RF9000T,T8,BLACK PL	SA	1
8-1	3		DA63-09857A	GROMMET HINGE-LOW; RF9900T,POM,BLACK,RIGH	SA	1
9	2	RO440	DA60-00314B	FASTENER-HINGE; ROMANEE CONTI,PP+(GF+KD)3	SA	1
10	2	RY756	DA63-06410A	GROMMET HINGE-MID; AW3,POM,BLACK	SA	2
11	2		DA63-09539A	COVER WIRE; RF9000R,PP,EBONY BLACK,49MK45	SA	1
12	2		DA61-12488A	FIXER COVER; AW3-14,HIPS,NATURAL,576H	SA	3
13	2	RI305	DA61-04932B	FIXER-HINGE; PO-SPHC,T3,Zn coating	SA	2
14	2		3903-001011	POWER CORD-AT; H05VV-F 3x0.75mm2,BLK,EU3F	SA	1
15	3		DA99-04158A	ASSY ACCESSORY; ROMANEE CONTI,ADJUSTMENT	SA	1
15-1	4	RO440	DA60-00314A	FASTENER-HINGE; ROMANEE CONTI,PP+(GF+KD)3	SA	1
15-2	4	RO440	DA60-00314B	FASTENER-HINGE; ROMANEE CONTI,PP+(GF+KD)3	SA	1
15-3	4	RO440	DA60-00314C	FASTENER-HINGE; ROMANEE CONTI,PP+(GF+KD)3	SC	1

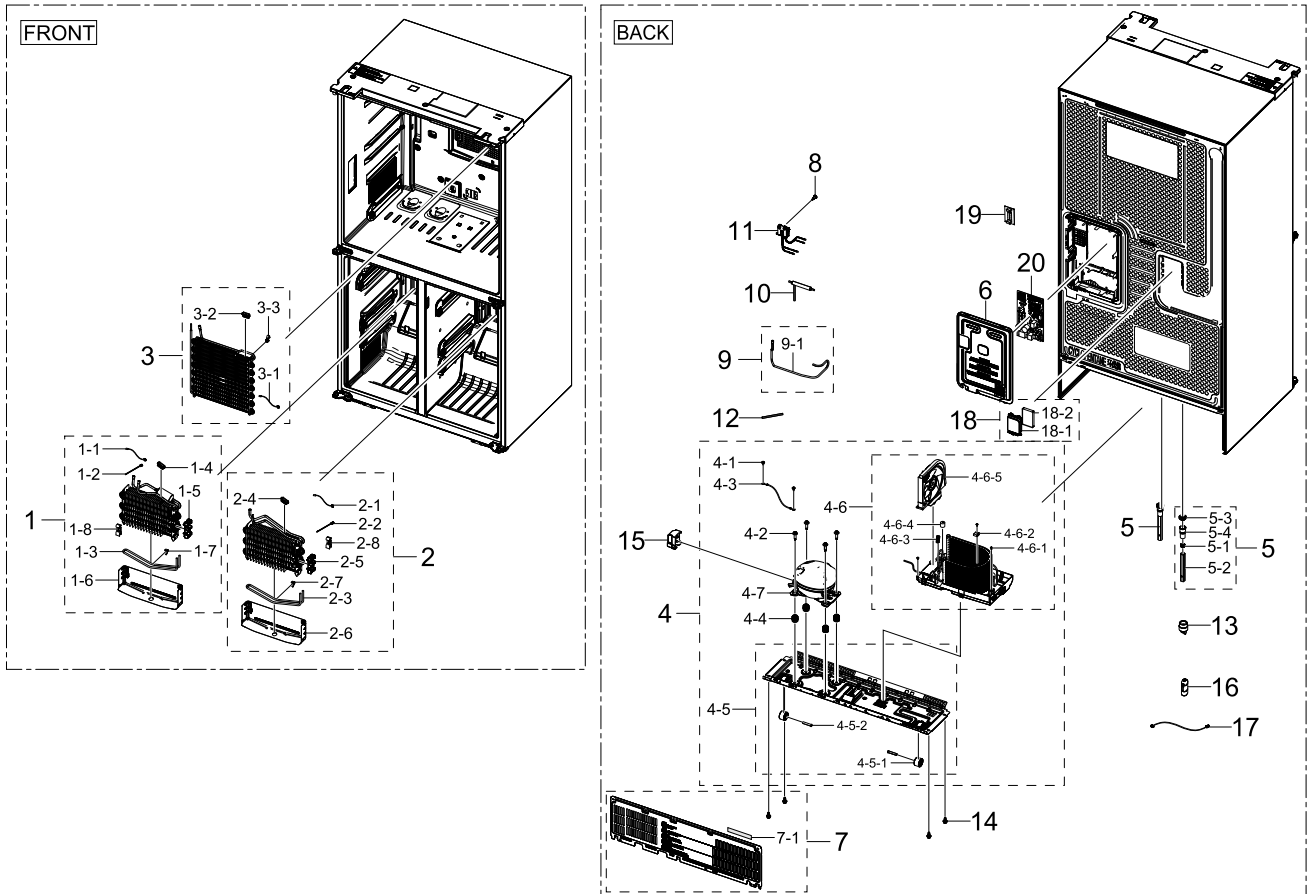
Exploded Views and Parts List

No.	Lvl.	Loc.	Material Code	Description & Specification	SNA	Qty.
15-4	4	RO440	DA60-00314D	FASTENER-HINGE; ROMANEE CONTI,PP+(GF+KD)3	SA	1
16	2	RH778	DA63-07680A	COVER UNIT; AW3-14,PP,HB,INOX GRAY,49MK45	SA	2

4. Cycle

Cycle

Exploded View



Parts List

No.	Lvl.	Loc.	Material Code	Description & Specification	SNA	Qty.
1	2	RF011	DA96-01021L	ASSY EVAP-FRE; RF9000R,Fin tube,230V,121W	SA	1
1-1	3		DA32-10104V	SENSOR TEMP; DKST1329GW,DOUBLE_INSULATION	SA	1
1-2	3	RR036	DA47-00301D	THERMO FUSE-ASSY;AC250V,10A,109~110°C,S.O	SA	1
1-3	3		DA47-00318U	HEATER METAL SHEATH; AC230V,T, 437.2ohm,1	SA	1
1-4	3	RK213	DA61-03683A	FIXER-SENSOR; AW-PJT,PP,NATURAL,FH44N,V-0	SA	1
1-5	3	RU375	DA61-06700A	FIXER-HEATER WIRE REF; HM/GGH/HAEMIL,PP,T	SA	2
1-6	3	RF169	DA61-08675A	PLATE-DRAIN EVAP FRE; ROMANEE CONTI,AI,T0	SA	1

Exploded Views and Parts List

No.	Lvl.	Loc.	Material Code	Description & Specification	SNA	Qty.
1-7	3		DA61-12385A	PLATE HEATER; BRF8000M,Al,T0.7,A1100P-H14	SA	1
1-8	3		DA61-13585A	FIXER-BIMETAL; RF9000R,PP,T1.5,NATURAL,FH	SA	1
2	2		DA96-00988G	ASSY EVAP-CONV; RF9000R,Fin tube,230V,121	SA	1
2-1	3		DA32-10104V	SENSOR TEMP; DKST1329GW,DOUBLE_INSULATION	SA	1
2-2	3	RR036	DA47-00301D	THERMO FUSE-ASSY;AC250V,10A,109~110°C,S.O	SA	1
2-3	3		DA47-00318U	HEATER METAL SHEATH; AC230V,T, 437.2ohm,1	SA	1
2-4	3	RK213	DA61-03683A	FIXER-SENSER; AW-PJT,PP,NATURAL,FH44N,V-0	SA	1
2-5	3	RU375	DA61-06700A	FIXER-HEATER WIRE REF; HM/GGH/HAEMIL,PP,T	SA	2
2-6	3	RF169	DA61-08675A	PLATE-DRAIN EVAP FRE; ROMANEE CONTL,Al,T0	SA	1
2-7	3		DA61-12385A	PLATE HEATER; BRF8000M,Al,T0.7,A1100P-H14	SA	1
2-8	3		DA61-13585A	FIXER-BIMETAL; RF9000R,PP,T1.5,NATURAL,FH	SA	1
3	2	RI016	DA96-01456A	ASSY EVAP-REF EVAP MODULE; RF9000A,Fin tu	SA	1
3-1	3		DA32-10104W	SENSOR TEMP; DOUBLE_INSULATION, TPA,L200,	SA	1
3-2	3	RK213	DA61-03683A	FIXER-SENSER; AW-PJT,PP,NATURAL,FH44N,V-0	SA	1
3-3	3	RR051	DA61-06013B	FIXER WIRE; AW3-PJT,PP,T2,NATURAL,HB,BJ75	SA	1
4	2		DA97-22349C	ASSY COMP N CONDENSING-COND MODULE; RF900	SNA	1
4-1	3	RR021	6006-001170	SCREW-TAPPING; TH,+,WT,2,M4,L10,ZPC(WHT),	SA	1
4-2	3		6011-007289	BOLT-HEX; M6,L43.6,SWRCH10A,OD18	SA	4
4-3	3	RK934	DA39-20389L	ASSY WIRE HARNESS-EARTH; EARTH,ALL,FREE V	SC	1
4-4	3	RH732	DA63-09336B	GROMMET COMP; REF,IIR,BLACK	SA	4
4-5	3		DA97-12557M	ASSY CHASSIS COMP; RF9000A,GI-SGCC,T1.2,9	SA	1
4-5-1	4	RR242	DA61-04703A	CASTER-REAR; AW-PJT,PP,BLACK,M/B(0103-002	SA	2
4-5-2	4	RX039	DA66-00649B	SHAFT-CASTER; POLARIS,MSWR10,L44,ID8.0,OD	SA	2
4-6	3	RH003	DA97-15978C	ASSY TRAY DRAIN WATER; RF90000M,PFC(La+Ce	SA	1

No.	Lvl.	Loc.	Material Code	Description & Specification	SNA	Qty.
4-6-1	4	RR008	6002-000213	SCREW-TAPPING; TH,+,1,M4,L12,ZPC(WHT),SWR	SA	3
4-6-2	4	RH054	DA63-04424A	GROMMET-COND SUB; AW,NBR,Black	SA	1
4-6-3	4		DA63-07323A	GROMMET-IMMERSION PIPE B; ROMANEE CONTI,N	SA	1
4-6-4	4	RX020	DA63-40171B	GROMMET-SUCT PIPE A; NBR,ID4,OD20	SC	1
4-6-5	4	RO132	DA97-20025A	ASSY SUPPORT-CIRCUIT MOTOR; NW2-FDR,C160N	SA	1
4-7	3		NF94R9151ATE01	CMP,COMP,REFRIGERATOR,R-600A; CMP,COMP,REFRIGERATOR,R-600A	SA	1
5	2	RZ110	DA97-04049E	ASSY CAP-DRAIN; AW3	SA	2
5-1	3	RG141	DA61-05021A	FIXER-DRAIN; HAEMIL,PP,T0.6,CARMEN WINE,B	SA	2
5-2	3	RH890	DA62-01266B	TUBE PVC; AW3,PVC,OD19.4,L155,BLACK	SA	2
5-3	3	RO161	DA63-02761A	GROMMET-DRAIN; RS18RK,NBR,BLACK	SA	2
5-4	3	RZ111	DA67-01301A	CAP-DRAIN; AW4,HIPS,HB,576H,NATURAL	SA	2
6	2		DA97-08442D	ASSY COVER PCB-PANEL; AW4-4D	SA	1
7	2	RH001	DA97-12749L	ASSY COVER COMP; RF9000M,GL-SAZCC,T0.25,a	SA	1
7-1	3	RK671	DA62-00719P	SEAL-ABSORBER; RF9000K,PU FOAM,T30,W20,L2	SA	1
8	2	RO337	DK61-00464A	FIXER-STEP MOTOR; RUBY,SWRCH18A	SA	2
9	2	RO079	DA97-22217A	ASSY PIPE CONNECT; RF9000A,Pipe Connect S	SA	1
9-1	3	RH085	DA62-03691A	PIPE CONNECT-SUCTION; RF9000, AW,Cu,OD6.3	SA	1
10	2	RH044	DA62-04309A	DRYER; C1220T-H,L137,SINGLE MOUTH,For VAL	SA	1
11	2		DA62-04617D	VALVE STEP; DC12V,MODULE,3WAY,LEFT/LEFT b	SA	1
12	2	RH026	DA73-10190U	PIPE-CONNECT DISC,B; ALL,Cu,C1220T,OD6.35	SA	1
13	2	RO162	DA63-00951C	GROMMET-DRAIN HOSE; V2-PJT,NBR,BLACK	SA	1
14	2	RR963	6011-001656	BOLT-HEX; M6,L16,ZPC(WHT),HH,SWRCH22A,MAC	SA	4
15	3	RH015	DA63-06122A	COVER RELAY; MSV,MPPE,T2,BLACK,N300X,V-0	SA	1
16	2		DA63-08943A	GROMMET; BRR9000M,NBR,CAP GROMMET	SA	1
17	3		DA96-01170A	ASSY WIRE HARNESS-COMP; ALL,ALL,FREE VOLT	SA	1
18	2		DA97-08413D	ASSY COVER TUBE FILTER; AW,PP,IEC	SA	1
18-1	3		DA63-05403C	COVER FILTER; AW3,PP,T2,NATURAL,FH44N,5VA	SA	1
18-2	3	RC016	DA62-01139C	SEAL CUTT; PE OPEN CELL,T5,W10,L1000	SA	0.26

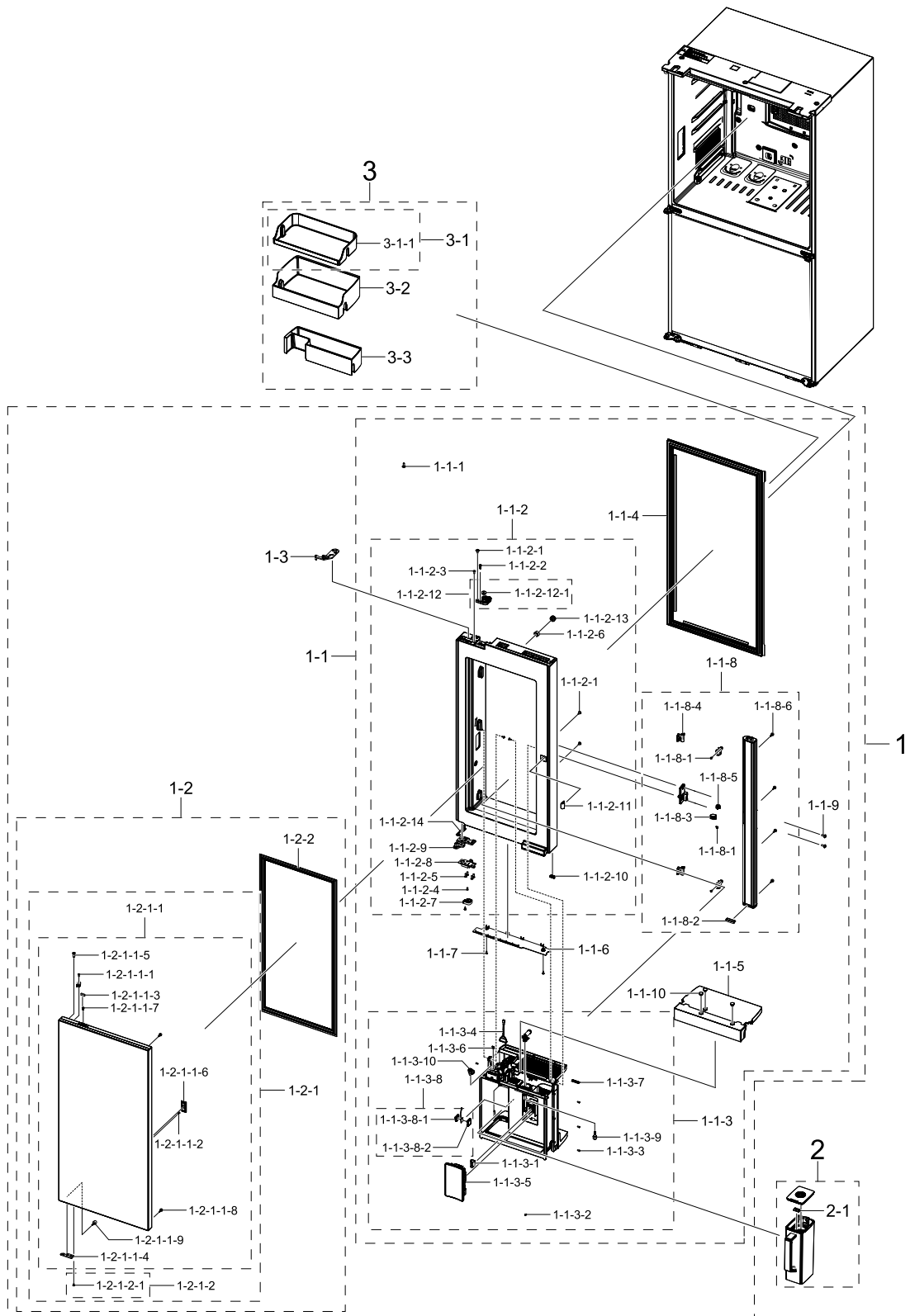
Exploded Views and Parts List

No.	Lvl.	Loc.	Material Code	Description & Specification	SNA	Qty.
19	1		DA92-00945D	ASSY MODULE; PBA-FUSE BLOCK,BRZ9000M,30*5	SA	1
20	1		DA94-05319M	ASSY PCB EEPROM; 0xEE,D601,D603,D604,D606	SA	1

5. Assy Door Ref-Left

Assy Door Ref-Left

Exploded View



Parts List

No.	Lvl.	Loc.	Material Code	Description & Specification	SNA	Qty.
1	2		DA93-00941D	ASSY DOOR SUB-REF LEFT; RF9000A,FDSR,VIP(SNA	1
1-1	3		DA93-00733Q	ASSY DOOR SUB-REF IN LEFT DOOR MODULE; RF	SNA	1
1-1-1	4	RR227	6001-000715	SCREW-MACHINE; TH,+,-,M5,L16,ZPC(WHT),SWR	SA	1
1-1-2	4		DA91-05047U	ASSY DOOR FOAM-REF IN LEFT; RF9000A,GRAY,	SA	1
1-1-2-1	5	S0025	6002-000239	SCREW-TAPPING; SWRCH18A,ZPC(WHT),L8,M4,TH	SA	3
1-1-2-2	5	RR013	6002-000613	SCREW-TAPPING; TH,+,-,2,M5,L16,ZPC(WHT),S	SA	1
1-1-2-3	5	RR016	6002-001122	SCREW-TAPPING; FH,+,1,M4,L14,ZPC(WHT),SWR	SC	3
1-1-2-4	5		6002-001547	SCREW-TAPPING; FH,+,NO,1,M4,L10,ZPC(WHT),	SA	1
1-1-2-5	5	RR023	6009-001475	SCREW-SPECIAL; FH,+,M5,L25(15.5),ZPC(WHT)	SA	4
1-1-2-6	5	RX003	6021-000258	NUT-HEXAGON; 3C,M5,ZPC(YEL),MSWR10	SA	1
1-1-2-7	5		DA61-13385A	SUPPORT DOOR-CLOSE; RF9000R,PK,M33R3A000,	SA	1
1-1-2-8	5		DA61-14211B	STOPPER DOOR-LEFT; RF9000T/RF9900T,PO-SPH	SA	1
1-1-2-9	5		DA97-21336A	ASSY HINGE-LOW LEFT; T4,OUT	SA	1
1-1-2-10	5		DA63-09933A	GROMMET-CAP DOOR; RF9900T,Si,BLACK,T5.0,W	SA	1
1-1-2-11	5		DA66-01342A	LEVER; RF9000R,POM,W30,L50,SO301,CREAMY S	SA	1
1-1-2-12	5	RO172	DA97-12625A	ASSY LEVER-AUTO CLOSE; AW4,POM,BLACK	SA	1
1-1-2-12-1	7	RO570	DA66-00440A	ROLLER-AUTO CLOSE; AW-PJT,PA6,BLACK	SA	1
1-1-2-13	5		DA97-20572C	ASSY FIXER-UP; RF9000R(B),CREAMY STAINLES	SNA	1
1-1-2-14	5		DA63-11272A	COVER DOOR-LEFT; RF9000A,ABS,T3,EBONY BLA	SA	1
1-1-3	4		DA97-17399E	ASSY CASE INNER; RF9000A,Beverage Show Ca	SA	1
1-1-3-1	5		3405-001117	SWITCH-MICRO; 125/250VAC,1A,80gf,SPST-NO	SA	1
1-1-3-2	5	RR131	6002-000217	SCREW-TAPPING; TH,+,NO,1,M4,L8,ZPC(WHT),S	SA	1
1-1-3-3	5		6002-001547	SCREW-TAPPING; FH,+,NO,1,M4,L10,ZPC(WHT),	SA	4
1-1-3-4	5	RY001	DA34-00043M	SWITCH REED; UL1007 AWG 22,L100	SA	1

No.	Lvl.	Loc.	Material Code	Description & Specification	SNA	Qty.
1-1-3-5	5		DA97-17297C	ASSY LEVER DISPENSER; AW facelift,No prin	SA	1
1-1-3-6	5	RR094	DA61-04522A	CLIP-FITTING LOCK; AW,POM,NATURAL,POM	SA	4
1-1-3-7	5	RO337	DA61-11032A	FIXER; RT5000K,PA66,WHITE,KN3322V0,7P Ret	SA	1
1-1-3-8	5		DA97-22004A	ASSY LED LAMP; RF9000A,Beverage Show Case	SNA	2
1-1-3-8-1	6	RU012	DA61-07581A	CASE LAMP-LED; POLARIS,GPPS,20.4,20.4,TP	SA	2
1-1-3-8-2	6		DA63-06505A	COVER LAMP-LED; POLARIS,MABS,HB,NATURAL,T	SA	2
1-1-3-9	5		DA61-13987A	CASE COCK; RS5000T,STS304,METAL SILVER,Wa	SA	1
1-1-3-10	5		DA62-02414A	TUBE-FITTING L; -,POM,-,-,-,-,1/4inch,-	SA	1
1-1-4	4		DA97-21330B	ASSY GASKET-REF; RF9000A	SA	1
1-1-5	4		DA97-21788A	ASSY COVER BASKET; RF9000A,BSC Display	SA	1
1-1-6	4		DA63-09958A	COVER CAP DOOR; RF900T,ABS,T2,DARK GRAY,R	SA	1
1-1-7	4	RR009	6002-000215	SCREW-TAPPING; TH,+,1,M4,L16,ZPC(WHT),SWR	SA	9
1-1-8	4		DA97-20599B	ASSY FRENCH; RF9000M,THAI SILVER, 230V, A	SA	1
1-1-8-1	5	RR008	6002-000213	SCREW-TAPPING; TH,+,1,M4,L12,ZPC(WHT),SWR	SA	3
1-1-8-2	5	RO169	DA63-06842B	GASKET-FRENCH LOW; AW-PJT,SI,GRAY	SA	1
1-1-8-3	5	RE091	DA67-01701A	CAP-CASE FRENCH MID; AW-PJT,ABS,HI121H,CO	SA	1
1-1-8-4	5	RD098	DA61-08305A	HINGE FRENCH; AW4,PA+ABS,T2,COOL WHITE,HI	SA	2
1-1-8-5	5	RE271	DA63-00991A	GROMMET-DOOR RECESS; A-TOP,SI,White	SA	1
1-1-8-6	5	RI220	DA63-02750A	GROMMET-COVER SLIDE; ET05-PJT,SI,WHITE	SA	4
1-1-9	4	RR018	6002-001406	SCREW-TAPPING; SWRCH18A,ZPC(WHT),L12,M4,T	SA	2
1-1-10	4		DA67-30266Q	CAP SCREW; RF9000A,PP,T1.5,BJ730,NEO VICT	SA	3
1-2	3		DA93-00929F	ASSY DOOR SUB-REF OUT LEFT; RF9000A,SR,GL	SNA	1
1-2-1	4		DA91-05486F	ASSY DOOR FOAM-REF OUT LEFT; RF9000A,SR,G	SA	1
1-2-1-1	5		DA97-22066F	ASSY PLATE DOOR-REF OUT LEFT; RF9000A,SR,	SNA	1
1-2-1-1-1	6	RR009	6002-000215	SCREW-TAPPING; TH,+,1,M4,L16,ZPC(WHT),SWR	SA	1

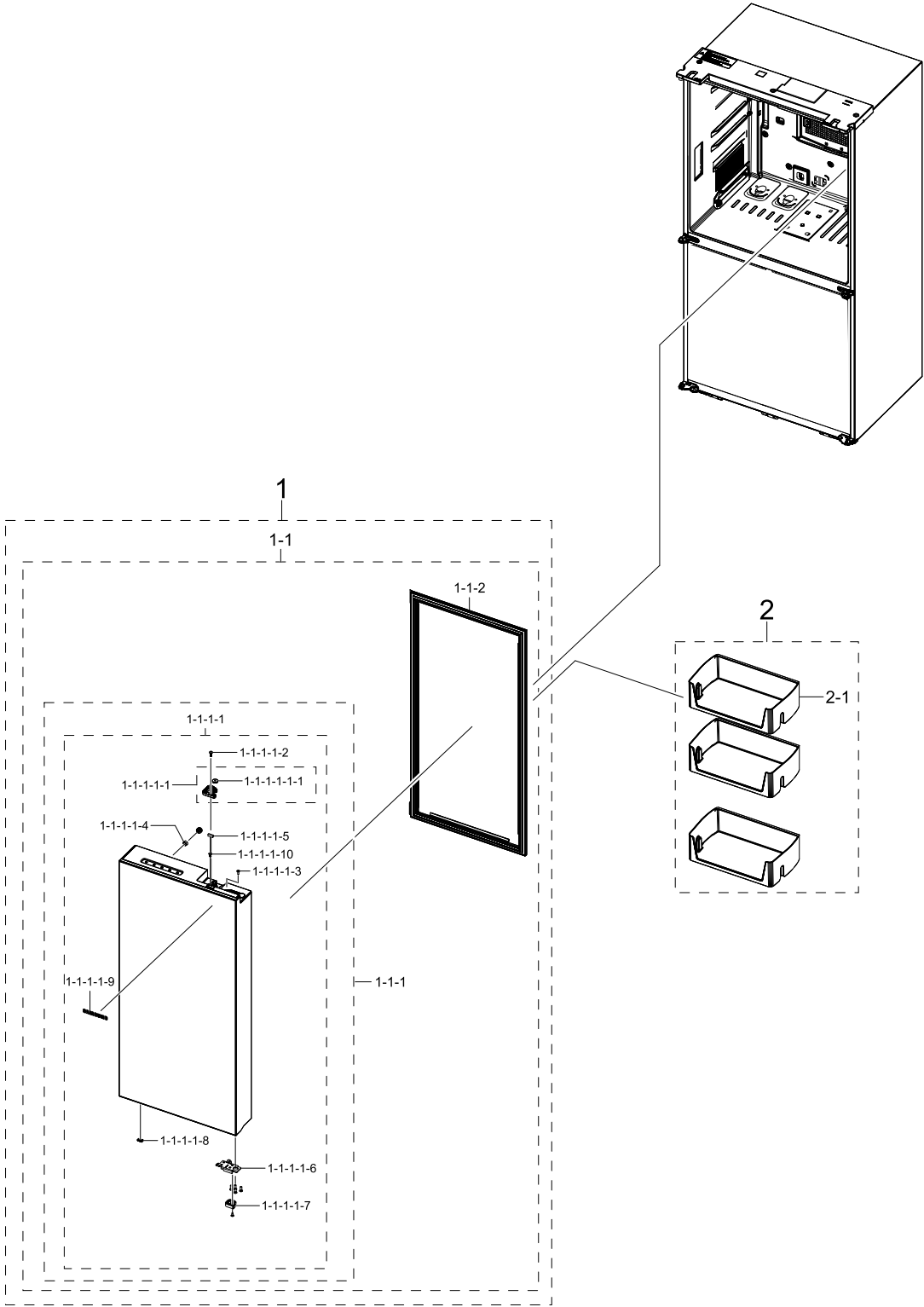
Exploded Views and Parts List

No.	Lvl.	Loc.	Material Code	Description & Specification	SNA	Qty.
1-2-1-1-2	6		6002-001547	SCREW-TAPPING; FH,+,NO,1,M4,L10,ZPC(WHT),	SA	1
1-2-1-1-3	6	RY479	DA61-03769A	MAGNET-A; HERMES,FERRITE,5x7x18,1600Gauss	SA	1
1-2-1-1-4	6		DA61-13384A	STOPPER DOOR-REF LOW; RF9000R,PO-SPHC,T4,	SA	1
1-2-1-1-5	6		DA63-07545B	GROMMET HINGE-MIDDLE; FDSR,PA66,BLACK,8.2	SA	2
1-2-1-1-6	6		DA63-09537A	COVER LOCK; RF9000R,ABS,T2.5,INOX GRAY,AB	SA	1
1-2-1-1-7	6	RU495	DA67-02795C	CAP-SHAFT HOLE; AW3,ABS,HG-0760GP,SNOW WH	SA	3
1-2-1-1-8	6	RI220	DA63-02750B	GROMMET-COVER SLIDE; QUEEN09,SI,LUXURY BL	SA	2
1-2-1-1-9	6		DA63-09942A	GROMMET DOOR; RF9000T,SI,BLACK,W11.4, H11	SA	1
1-2-1-2	5		DA97-20029E	ASSY PANEL; RF9000A,NON MOVING GUARD, ANT	SNA	1
1-2-1-2-1	6	RR131	6002-000217	SCREW-TAPPING; TH,+,NO,1,M4,L8,ZPC(WHT),S	SA	1
1-2-2	4		DA97-20057A	ASSY GASKET; RF9000R,DARK GRAY	SA	1
1-3	3		DA97-20039C	ASSY HINGE-UP LEFT; RF9000A,T4,OUT, Remov	SA	1
2	2		DA97-21261E	ASSY CASE WATER FILTER; RF9000A,Beverage s	SA	1
2-1	3	RY482	DA61-02738A	ASSY MAGNET; CORE-PJT,FERRITE,-,-	SA	1
3	2		DA97-21910A	ASSY GUARD PACKING-DOOR BIN MODULE; RF900	SNA	1
3-1	3		DA97-15186E	ASSY GUARD-REF UP; RF9000N,TP GRAY	SA	1
3-1-1	4		DA63-07966E	GUARD-REF UP; RF9000N,GPPS,TP GRAY	SA	1
3-2	3		DA97-21960A	ASSY GUARD-REF MIDDLE; RF9000A,SAN,T3,TP	SA	1
3-3	3	RI161	DA97-21914A	ASSY GUARD-REF LOW; RF9000A,TP GRAY,BSC S	SA	1

6. Assy Door Ref-Right

Assy Door Ref-Right

Exploded View



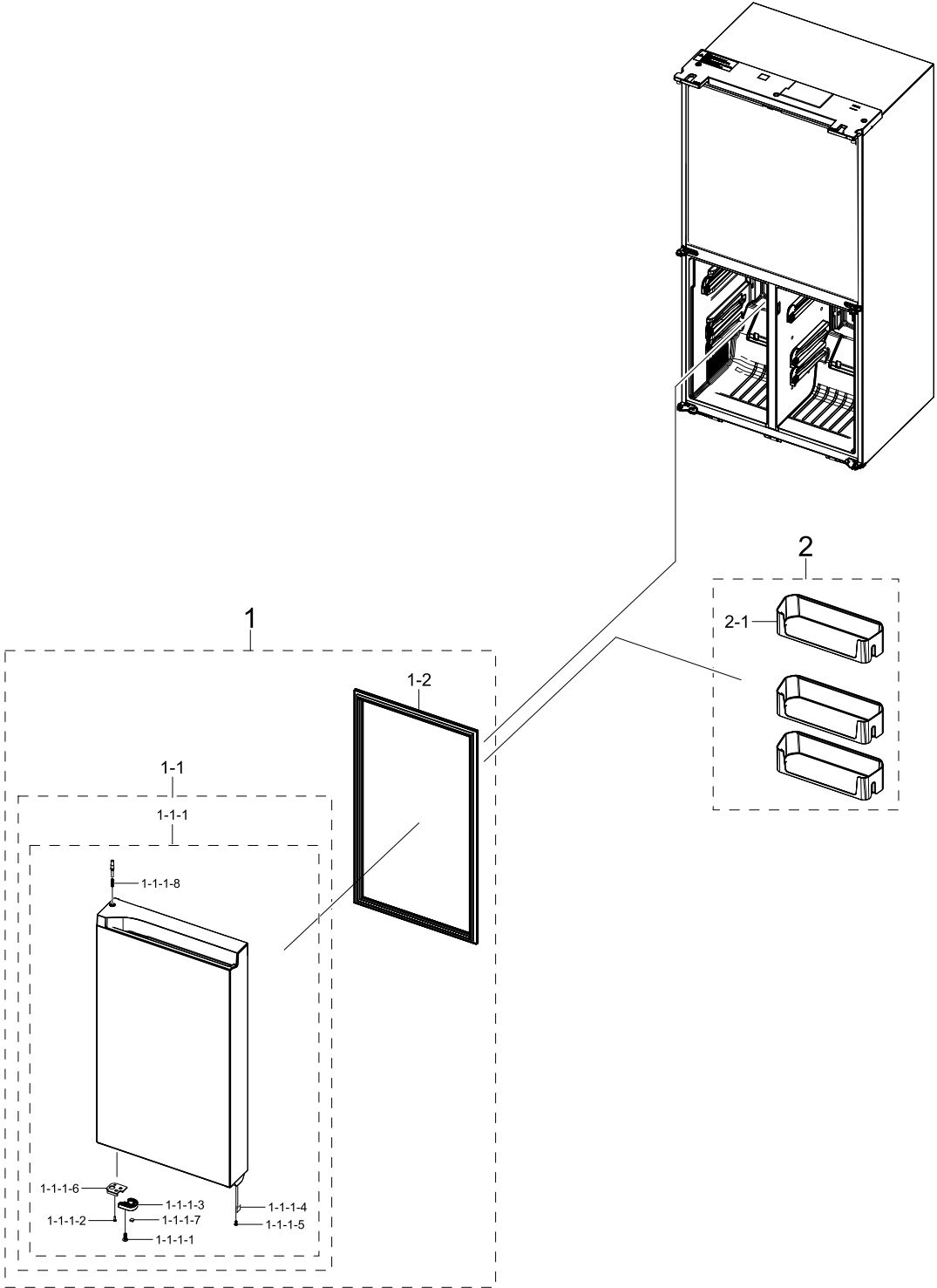
Parts List

No.	Lvl.	Loc.	Material Code	Description & Specification	SNA	Qty.
1	2		DA93-00996E	ASSY DOOR SUB-REF RIGHT; RF9000A,SR,-,-,-	SNA	1
1-1	3		DA93-00931E	ASSY DOOR SUB-REF RIGHT DOOR MODULE; RF90	SNA	1
1-1-1	4		DA91-05484E	ASSY DOOR FOAM-REF RIGHT; RF9000A,SR,GLOB	SA	1
1-1-1-1	5		DA97-22064E	ASSY PLATE DOOR-REF RIGHT; RF9000A,SR,GLO	SNA	1
1-1-1-1-1	6	RO172	DA97-12625A	ASSY LEVER-AUTO CLOSE; AW4,POM,BLACK	SA	1
1-1-1-1-1-1	7	RO570	DA66-00440A	ROLLER-AUTO CLOSE; AW-PJT,PA6,BLACK	SA	1
1-1-1-1-2	6	RR013	6002-000613	SCREW-TAPPING; TH,+,-,2,M5,L16,ZPC(WHT),S	SA	1
1-1-1-1-3	6	RR016	6002-001122	SCREW-TAPPING; FH,+,-,1,M4,L14,ZPC(WHT),SWR	SC	1
1-1-1-1-4	6	RX003	6021-000258	NUT-HEXAGON; 3C,M5,ZPC(YEL),MSWR10	SA	1
1-1-1-1-5	6	RY479	DA61-03769A	MAGNET-A; HERMES,FERRITE,5x7x18,1600Gauss	SA	1
1-1-1-1-6	6		DA61-14210B	STOPPER DOOR-RIGHT; RF9000T/RF9900T,PO-SP	SA	1
1-1-1-1-7	6		DA61-13385A	SUPPORT DOOR-CLOSE; RF9000R,PK,M33R3A000,	SA	1
1-1-1-1-8	6		DA63-09933A	GROMMET-CAP DOOR; RF9900T,Si,BLACK,T5.0,W	SA	1
1-1-1-1-9	6	RO716	DA64-04021C	MASCOT; ALL,Ni,T0.06,L90	SA	1
1-1-1-1-10	6	RU495	DA67-02795C	CAP-SHAFT HOLE; AW3,ABS,HG-0760GP,SNOW WH	SA	3
1-1-2	4		DA97-21330B	ASSY GASKET-REF; RF9000A	SA	1
2	2		DA97-21908A	ASSY GUARD PACKING-DOOR BIN MODULE; RF900	SNA	1
2-1	3	RI155	DA97-21912A	ASSY GUARD-REF; RF9000A,TP GRAY,BASIC	SA	3

7. Assy Door Fre-Left

Assy Door Fre-Left

Exploded View



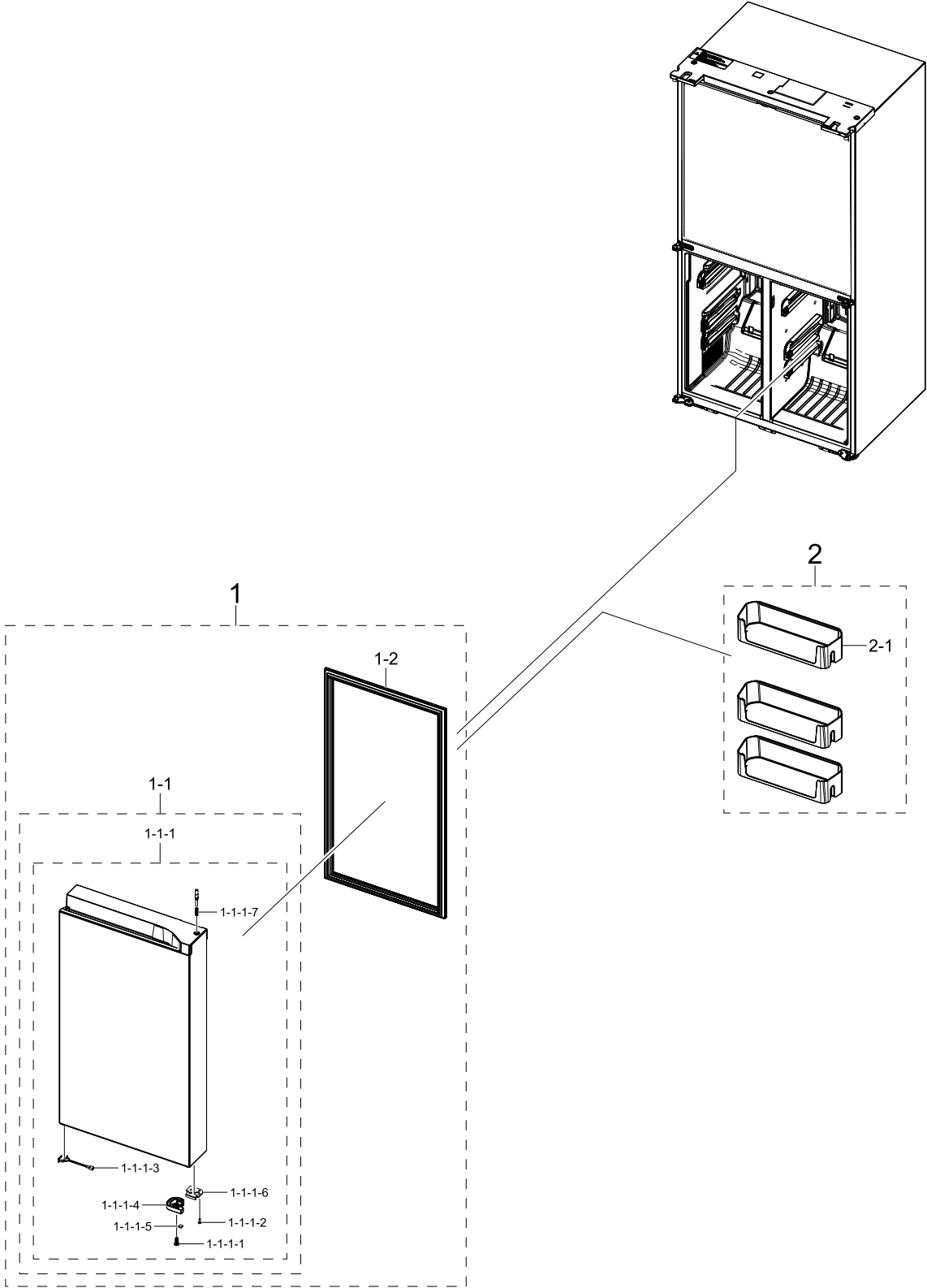
Parts List

No.	Lvl.	Loc.	Material Code	Description & Specification	SNA	Qty.
1	2		DA93-00933E	ASSY DOOR SUB-FRE LEFT DOOR MODULE; RF900	SNA	1
1-1	3		DA91-05480E	ASSY DOOR FOAM-FRE LEFT; RF9000A,SR,VIP,G	SA	1
1-1-1	4		DA97-22060E	ASSY PLATE DOOR-FRE LEFT; RF9000A,SR,VIP,	SNA	1
1-1-1-1	5	RK552	6001-000716	SCREW-MACHINE; TH,+,-,M5,L16,ZPC(WHT),MSW	SA	1
1-1-1-2	5	RR015	6002-001120	SCREW-TAPPING; FH,+1,M4,L18,ZPC(WHT),SWR	SA	1
1-1-1-3	5	RU262	DA61-02383A	SUPPORT DOOR-CLOSE; AW,PK,M33R3A000,NATUR	SA	1
1-1-1-4	5	RY478	DA61-03769B	MAGNET; SVETA,FERRITE,1600Gauss	SA	1
1-1-1-5	5	RU495	DA67-02795C	CAP-SHAFT HOLE; AW3,ABS,HG-0760GP,SNOW WH	SA	1
1-1-1-6	5	RD070	DA61-08816A	STOPPER DOOR-L; ROMANEE CONTI,PO-SPHC,T2.	SA	1
1-1-1-7	5	RR067	DA63-40294A	GROMMET-STOPPER; T3XW8XL8,NR,NATURAL,BLK	SA	1
1-1-1-8	5	RD214	DA61-05366A	SPRING ETC-HANDLE; SVETA-PJT,STS304,ID5.4	SA	1
1-2	3		DA97-21224B	ASSY GASKET-FRE; RF9000AC,Kitchen Fit	SA	1
2	2		DA97-20081A	ASSY GUARD PACKING-DOOR BIN MODULE; RF900	SNA	1
2-1	3	RD349	DA97-19996A	ASSY GUARD-FRE; RF9000R,GPPS,TP GRAY	SA	3

8. Assy Door Fre-Right

Assy Door Fre-Right

Exploded View



Parts List

No.	Lvl.	Loc.	Material Code	Description & Specification	SNA	Qty.
1	2		DA93-00934E	ASSY DOOR SUB-FRE RIGHT DOOR MODULE; RF90	SNA	1
1-1	3		DA91-05481E	ASSY DOOR FOAM-FRE RIGHT; RF9000A,SR,VIP,	SA	1
1-1-1	4		DA97-22070E	ASSY PLATE DOOR-FRE RIGHT; RF9000A,SR,VIP	SNA	1
1-1-1-1	5	RR227	6001-000715	SCREW-MACHINE; TH,+,-,M5,L16,ZPC(WHT),SWR	SA	1
1-1-1-2	5	RR015	6002-001120	SCREW-TAPPING; FH,+,-,M4,L18,ZPC(WHT),SWR	SA	1
1-1-1-3	5	RY001	DA34-00043L	SWITCH REED; UL1007 AWG 22,L100	SA	1
1-1-1-4	5	RU262	DA61-02383A	SUPPORT DOOR-CLOSE; AW,PK,M33R3A000,NATUR	SA	1
1-1-1-5	5	RR067	DA63-40294A	GROMMET-STOPPER; T3XW8XL8,NR,NATURAL,BLK	SA	1
1-1-1-6	5	RE439	DA61-08817A	STOPPER DOOR-R; ROMANEE CONTI,PO-SPHC,T2.	SA	1
1-1-1-7	5	RD214	DA61-05366A	SPRING ETC-HANDLE; SVETA-PJT,STS304,ID5.4	SA	1
1-2	3		DA97-21224B	ASSY GASKET-FRE; RF9000AC,Kitchen Fit	SA	1
2	2		DA97-20081A	ASSY GUARD PACKING-DOOR BIN MODULE; RF900	SNA	1
2-1	3	RD349	DA97-19996A	ASSY GUARD-FRE; RF9000R,GPPS,TP GRAY	SA	3