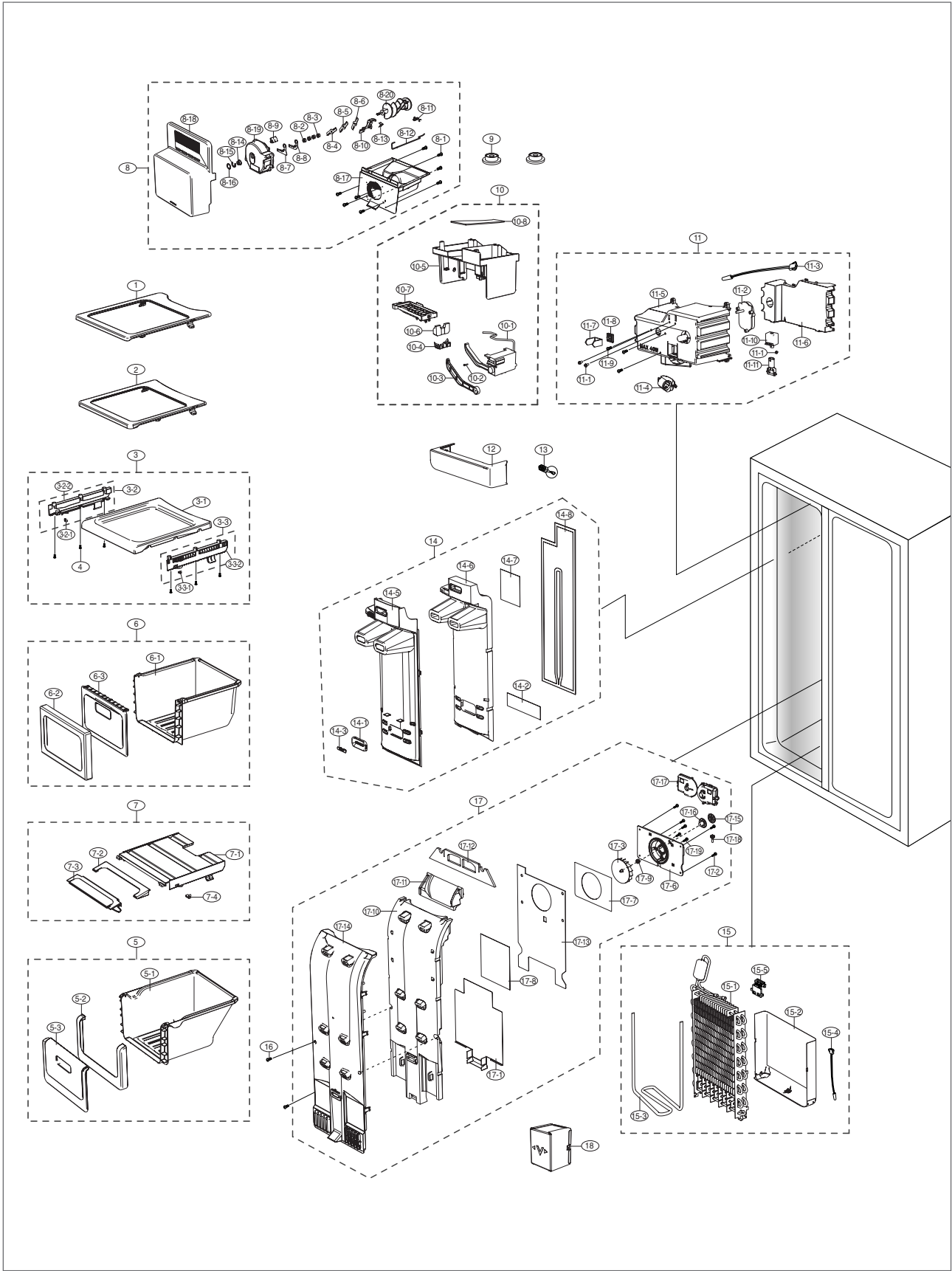


## 5 . EXPLODED VIEW & PART LIST

5-1) Freezer (RSJ1/RSH1/H3).....	79
5-2) Fridge (RSJ1/RSH1/H3).....	83
5-3) Cabinet & Unit (RSJ1/RSH1/H3).....	87
5-4) Freezer Door (RSJ1) .....	91
5-5) Fridge Door (RSJ1) .....	95
5-6) Freezer Door (RSH1/H3).....	99
5-7) Fridge Door (RSH1/H3).....	104
5-8) Freezer (RSH1/H3-Basic) .....	108
5-9) Fridge (RSH1/H3-Basic) .....	111
5-10) Cabinet & Unit (RSH1/H3-Basic) .....	114
5-11) Freezer Door (RSH1/H3-Basic) .....	118
5-12) Fridge Door (RSH1/H3-Basic).....	122
5-13) Freezer Door (RSH1-TRIMKIT).....	126
5-14) Fridge Door (RSH1-TRIMKIT).....	129

# 5 . EXPLODED VIEW & PART LIST

## 5-1) Freezer (RSJ1/RSH1/RSH3)



## EXPLODED VIEW & PART LIST

### ■ Parts List of Freezer

NO	CODE-NO	PART NAME	Spec	Quantity	Remark	SA/SNA
1	DA67-01696A	SHELF FRE-TOP	HM-PJT,P,P+GLASS,W307,L360,SC-02740R	1	RSH1/H3	SA
	DA67-01696B		HERMES-PJT,P,P+GLASS,-,W307,L360,SC-02740R,PRINTING	1	RSJ1	
2	DA67-01697A	SHELF FRE-MID	HM-PJT,P,P+GLASS,W308,L325,SC-02740R	1	RSH1/H3	SA
	DA67-01697B		HERMES-PJT,P,P+GLASS,-,W308,L325,SC-02740R,PRINTING	1	RSJ1	
3	DA97-05141A	ASS'Y-SHELF FRE LOW	HERMES-PJT	1		SA
3-1	DA67-01687A	SHELF-FRE LOW	HERMES-PJT,HIPS,T2.5,SC-02740R	1		SA
3-2	DA84-00003A	ASSY RAIL-BOX L	HERMES-PJT,T2.0,W17,L260	1		SA
3-2-1	DA63-00202C	GROMMET-RAIL	NY-6	1		SA
3-2-2	DA61-03413A	RAIL-BOX L	HERMES-PJT,HIPS,SC-02740R	1		SA
3-3	DA84-00004A	ASSY RAIL-BOX R	HERMES-PJT,T2.0,W17,L260	1		SA
3-3-1	DA63-00202C	GROMMET-RAIL	NY-6	1		SA
3-3-2	DA61-03412A	RAIL-BOX R	HERMES-PJT,HIPS,SC-02740R	1		SA
4	6001-000034	SCREW-TAPPING	TH,+,-,1,M4.0,L12,ZPC(YEL),MSWR10,-	6		SA
5	DA97-05046A	ASSY CASE-BASKET LOW	HERMES,SAN+HIPS, 3-PIECE	1	RSJ1,RSH1KUJ _RSH3	SA
	DA97-05336B		HERMES,SAN+TAPE ETC PE,W60, 1-PIECE	1	RSH1FDBN	
5-1	DA61-03373A	CASE-BASKET LOW	HERMES,SAN,TRP	1		SA
5-2	DA63-03547A	COVER-BASKET FRONT LOW B	HERMES,SAN,TRP	1		SA
5-3	DA63-03549A	COVER-BASKET FRONT LOW A	HERMES,HIPS,WHITE	1		SA
6	DA97-05047A	ASSY CASE-BASKET HIGH	HERMES,SAN+HIPS, 3-PIECE	1	RSJ1,RSH1KUJ _RSH3	SA
	DA97-05335B		HERMES,SAN+TAPE ETC PE,W60, 1-PIECE	1	RSH1FDBN	
6-1	DA61-03372A	CASE-BASKET HIGH	HERMES,SAN,TRP	1		SA
6-2	DA63-03551A	COVER-BASKET FRONT HIGH A	HERMES,HIPS,WHITE	1		SA
6-3	DA63-03552A	COVER-BASKET FRONT HIGH B	HERMES,SAN,TRP	1		SA
7	DA97-05049A	ASSY-COVER SLIDE BASKET	HERMES,3-PIECE,SAN+HIPS	1	RSJ1,RSH1KUJ _RSH3	SA
	DA97-05103A		HERMES,1-PIECE	1	RSH1FDBN	
7-1	DA63-03569A	COVER BASKET-LOW	HERMES,ABS,TRP	1		SA
7-2	DA63-03570A	COVER-SLIDE BASKET A	HERMES,HIPS,WHITE	1		SA
7-3	DA63-03571A	COVER-SLIDE BASKET B	HERMES,ABS,TRP	1		SA
7-4	DA63-00202C	GROMMET-RAIL	NY-6	2		SA
8	DA97-05081B	ASSY TRAY-ICE BUCKET	HERMES,CRUSH	1	RSJ1,RSH1KUJ/ F/D,RSH3K/F/D	SA
8-1	6002-000215	SCREW-TAPPING	TH,+,-,1,M4.0,L16,ZPC(WHT),SWRCH18A	8		SA
8-2	DA72-60314A	SEAL-POM	SR-S7184,POM,W9236E DELRIN500LC	2		SNA
8-3	DA72-60313A	SEAL-POM	SR-S7183,POM,W9236E DELRIN500LC	2		SNA
8-4	DA61-01662A	BLADE-MOVING A	AD,STS304,T2.0	1		SNA
8-5	DA61-01663A	BLADE-MOVING B	AD,STS304,T2.0	1		SNA
8-6	DA61-01664A	BLADE-MOVING C	AD,STS304,T2.0	1		SNA
8-7	DA31-20121B	BLADE-STATIONARY DISP OUT	A-TOP,STS304,T2.0	1		SNA
8-8	DA31-20122B	BLADE-STATIONARY DISP IN	A-TOP,STS304,T2.0	1		SNA
8-9	DA71-20231A	FIXER-GUARD	SR-S7180,POM,DELIN500LC	1		SA
8-10	DA71-70003B	GUIDE-ICE DISPENSER	A-TOP,HIPS,W45.2,NTR,HG-1760S	1		SA
8-11	DA61-20139A	SPRING ETC-ICE MAKER	SR-S7180,STS304,PI5.9,ID0.7	1		SA
8-12	DA66-00388A	LEVER-CUBE	ET-VE,MSWR10	1		SA
8-13	DA61-20124A	SPRING ETC-DISPENSER	SR-S7180,STS304,PI0.8	1		SA
8-14	DA60-30108A	NUT-HEX	POM	1		SNA
8-15	DA60-90125A	RING	SK-5H	1		SNA
8-16	DA60-40116A	WASHER-PLAIN	ID20 OD28 T0.5 STS430	1		SNA
8-17	DA63-03526A	TRAY ICE-BUCKET	HERMES,PP,WHITE(BJ730)	1		SA
8-18	DA63-03527A	COVER-ICE BUCKET	HERMES,PP,WHITE(BJ730)	1		SA
8-19	DA63-10016B	COVER-CRUSHER DISP	HIPS	1		SA
8-20	DA65-00038A	CLAMPER CORE-HELIX	POM DISP	1		SNA
9	DA61-01797A	FIXER GROMMET-DOOR	T3-PJT,ABS,SC-02740	2	RSJ1,RSH1KUJ/ F/D,RSH3K/F/D	SA

## EXPLODED VIEW & PART LIST

### ■ Parts List of Freezer

NO	CODE-NO	PART NAME	Spec	Quantity	Remark	SA/SNA
10	DA97-05071A	ASSY ICE MAKER-MECH	NEXT700SD	1	RSJ1, RSH1K/J F/D, RSH3K/F/D	SA
10-1	DA59-00294A	ICE MAKER-ASSY	NTGN, DC12V,	1		SA
10-2	DA60-10132A	SCREW-TAPPING	PH, P13, L15STS430	1		SA
10-3	DA61-00954A	GUIDE-ICE FULL	QUEEN, ABS	1		SA
10-4	DA61-01800A	FIXER-SENSOR(ICE MAKER)	AD, URETHANE	1		SA
10-5	DA61-03352A	SUPPORT-ICE MAKER	HERMES, HIPS, WHITE	1		SA
10-6	DA63-02183A	COVER-SENSOR	PP, T1.0, WHITE,	1		SA
10-7	DA63-02284A	TRAY ICE	PP, SC93437R, BJ73SLW180	1		SA
10-8	DA62-01465A	SEAL-SUPPORT ICE MAKER	FOAM-PE, T3,	1		SNA
11	DA97-05068B	ASSY CASE-AUGER MOTOR	HERMES, 220-240V, CRUSH	1	220-240V	SA
	DA97-05068C		HERMES, 110-127V, CRUSH	1	110-127V	SA
11-1	DA60-00001B	SCREW-SPECIAL	HEX, L8.3, PASS, STS304	3		SA
11-2	DA31-00105C	MOTOR GEARD-AUGER	15rpm, 50Hz, 220-240V, 1.0A, 40T, JSG-3240SSH	1	220-240V	SA
	DA31-00105A		18rpm, 60Hz, 110-127V, 2.3A, 40T, SPG, JSG3240SSI	1	110-127V	SA
11-3	DA96-00036M	ASSY-WIRE HARNESS SUB(EM)	HERMES-PJT, 100-240V	1		SA
11-4	DA47-40001C	ASSY-LAMP HOLDER	E26, 1A, PBT(5VA), UL SPEC	1		SA
11-5	DA61-03351A	CASE-AUGER MOTOR	HERMES, PP, WHITE(BJ730)	1		SA
11-6	DA63-03528A	COVER-AUGER MOTOR	HERMES, PP, WHITE(BJ730)	1		SNA
11-7	DA70-20017A	PLATE-D/AUGER DISP	STS304, L127XD14.4	1		SNA
11-8	DA71-00163A	FIXER-NUT	STS420, T1, CLIP, STS420-	1		SA
11-9	6001-000033	SCREW-MACHINE	TH, +, M4, L10, PASS, STS304,	3		SA
11-10	DA74-40151F	VALVE-SOLENOID	SR-S6586B, CUBE-SN2, 220-240[V]	1	220-240V	SA
	DA74-40151G		SR-S6586B, CUBE-SN1, 110-127[V]42	1	110-127V	
11-11	DA66-90003A	GEAR-SOLENOID	POM, SC-93438R	1		SNA
12	DA63-03604A	COVER LAMP-FRE	HERMES, PP, DISP	1	RSJ1, RSH1K/J F/D, RSH3K/F/D	SA
	DA63-03603A		HERMES, PP, BASIC	1	RSH1B/N, RSH3N	
13	4713-001201	LAMP-INCANDESCENT	230V, 0mA, 40W	1	220-240V	SA
	4713-001206		120V, 340mA, 40W, FROST	1	110-127V	
14	DA97-05063A	ASSY COVER-MULTI FRE	HERMES, DISP	1	RSJ1, RSH1K/J F/D, RSH3K/F/D	SA
	DA97-05334A		HERMES, BASIC	1	RSH1B/N, RSH3N	
14-1	DA63-03609A	COVER SENSOR	HERMES, ABS, COOL WHT	1		SA
14-2	DA61-03360A	PLATE-MULTI FRE REAR LOW	HERMES, PP, T1.0, NTR	1		SA
14-3	DA64-02141A	TRIM SENSOR	HERMES, ABS, COOL WHT	1		SA
14-4	DA32-10105V	SENSOR-ASSY	PBT fT1, L200->L300	1		SA
14-5	DA63-03595A	COVER-MULTI FRE	HERMES, PP, COOL WHT, DISP	1		SA
14-6	DA62-01444A	INSULATION-MULTI FRE	HERMES, FOAM PS, WHT, DISP	1		SA
14-7	DA61-03393A	PLATE-MULTI FRE REAR HIGH	HERMES, HIPS	1		SNA
14-8	DA62-01438A	SEAL COVER MULTI FRE REAR(DISP)	NITRONG PAPER T2.0	1		SNA
15	DA96-00380A	ASSY EVAP-FRE	HERMES-PJT, A1070-H14, 230V, 250W, SHEATH-HEATER	1	230V	SA
	DA96-00380B		HERMES-PJT, A1070-H14, 120V, 250W, SHEATH-HEATER	1	120V	
15-1	DA75-00205A	EVAP FRE	HFC-134A, A1100P-H24,2	1		SNA
15-2	DA47-00246A	HEATER-METAL SHEATH(FRE)	HERMES-PJT, 250W, 230V, 211.6BÝ, F-ROOM	1	230V	SA
	DA47-00246B		HERMES-PJT, 250W, 120V, 57.6BÝ, F-ROOM	1	120V	
15-3	DA61-03362A	PLATE-DRAIN FRE	HERMES, GALVANUME, T0.3	1		SNA
15-4	DA32-00006B	SENSOR ASSY-REF	PX-41C10C-35C, 5V	1		SA
15-5	DA61-00603A	FIXER-SENSOR	PP	1		SA
16	6002-000215	SCREW-TAPPING	TH, 1, M4.0, L16, ZPC(YEL)	9		SA
17	DA97-05052B	ASSY COVER EVAP-FRE	BLDC	1		SA
17-1	DA61-03357A	PLATE-EVAP HEATER FRE	HERMES, GALVANUME, T0.3	1		SNA
17-2	6002-000215	SCREW-TAPPING	TH, 1, M4.0, L16, ZPC(YEL)	4		SA
17-3	DA31-00053A	FAN-BACKWARD(FRE)	ABS, 16Wing	1		SA

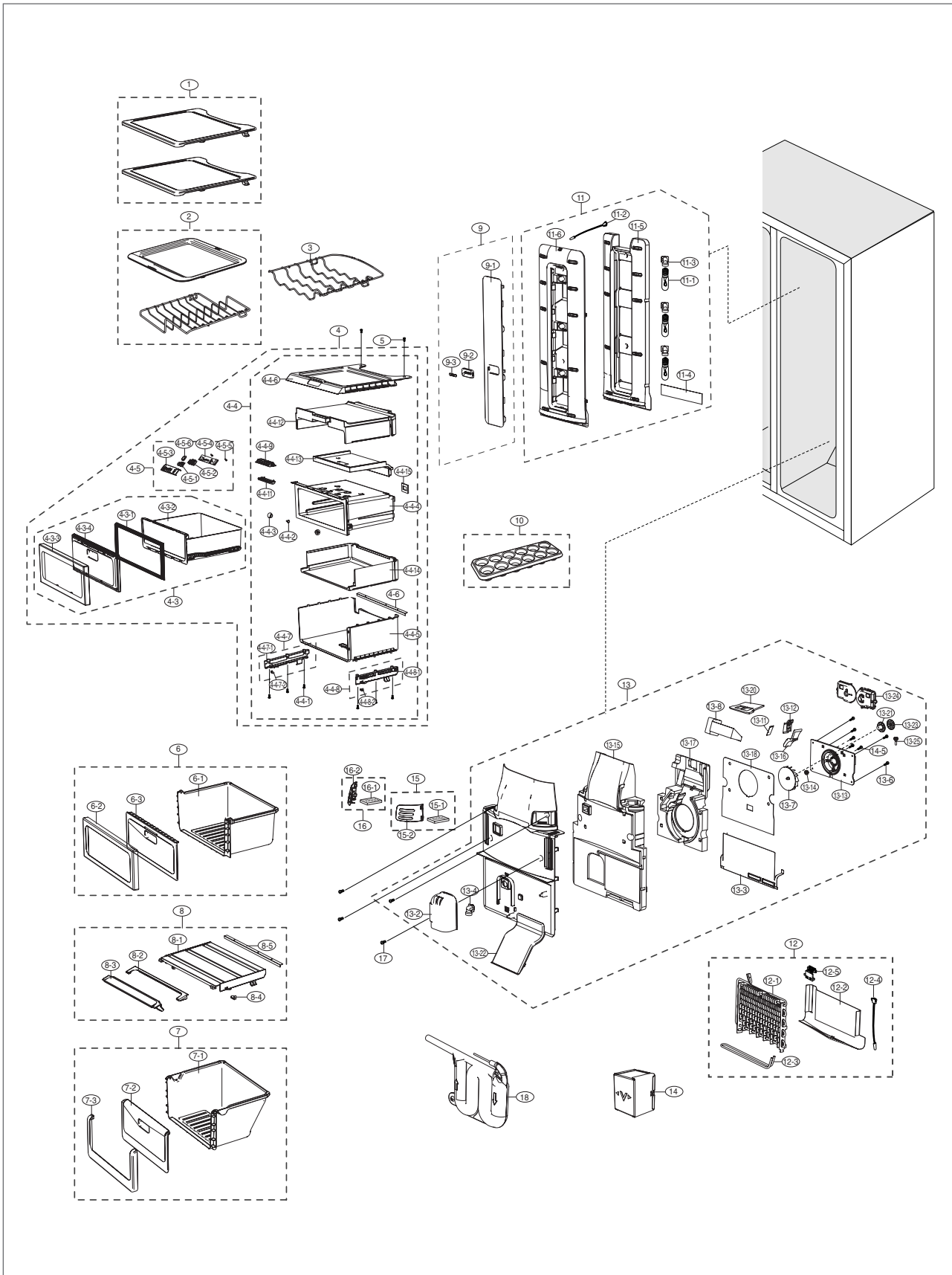
## EXPLODED VIEW & PART LIST

### ■ Parts List of Freezer

NO	CODE-NO	PART NAME	Spec	Quantity	Remark	SA/SNA
17-4	DA31-00146E	MOTOR FAN-BLDC	DREP5020LB,BLDC Motor,0.2	1		SA
17-5	DA39-00060B	WIRE HARNESS-MOTOR	F-FAN	1		SA
17-6	DA61-00417A	CASE MOTOR	ABS SCRAP,WHT	1		SA
17-7	DA61-00411A	PLATE-FAN MOTOR,FRE	HIPS,T1.0	1		SNA
17-8	DA61-03359A	PLATE-INS EVAP FRE HIGH	HERMES,PP,T1.0,NTR	1		SNA
17-9	DA61-20128A	SPRING ETC-FAN	STS304,PI7.8,OD1.0	1		SA
17-10	DA62-01440A	INSULATION EVAP-FRE A	HERMES,FOAM PS,WHITE	1		SA
17-11	DA62-01441A	INSULATION EVAP-FRE B	HERMES,FOAM PS,WHT	1		SA
17-12	DA62-01436A	SEAL-COVER EVAP FRE HIGH	HERMES,OJC,WHITE,T7.0	1		SNA
17-13	DA62-01435A	SEAL-COVER EVAP FRE AL	HERMES,FOAM PE+AL,BLACK,T1.5	1		SNA
17-14	DA63-03592A	COVER EVAP-FRE	HERMES,PP,COOL WHT	1		SA
17-15	DA63-01146A	GROMMET-MOTOR,REAR	NBR,ID6.5	1		SA
17-16	DA63-01808A	GROMMET-MOTOR,FRONT	BLDC,NBR,BLACK	1		SA
17-17	DA63-01809A	COVER MOTOR-BLDC	BLDC-NEW,PP,NTR	1		SA
17-18	DA63-40167A	GROMMET-COVER CHIL	T3.0,SILICON,	1		SA
17-19	6002-000213	SCREW-TAPPING	TH,1,M4,L12,ZPC(YEL),S	3		SA
18	DA63-02902A	COVER-FIXER HOUSING,V	GA T0.4	1		SA

# EXPLODED VIEW & PART LIST

## 5-2) Fridge (RSJ1/RSH1/RSH3)



## EXPLODED VIEW & PART LIST

### ■ Parts List of Fridge

NO	CODE-NO	PART NAME	Spec	Quantity	Remark	SA/SNA
1	DA67-01694A	SHELF REF-TOP	HERMES-PJT,P,P+GLASS,T2.0,W443,L386,SC-02740R	2	RSH1/H3	SA
	DA67-01694B		HERMES-PJT,P,P+GLASS,T2.0,W443,L386,SC-02740R,PRINTING	2	RSJ1	
2	DA63-03617A	TRAY-MOVING	HERMES-PJT,MELAMINE,T4.0,SC-02740R	1		SA
	DA67-01693A		HERMES-PJT,STS304,*6.0,*4.0,	1	OPTION	
3	DA75-00203A	RACK-WINE	HERMES-PJT,STS304,*5.0	1		SA
4	DA97-05061D	ASSY-CONVERTIBLE	HERMES	1	RS*1KUJ	SA
	DA97-05061C		HERMES, Photosynthesis LED	1	RS*1KUJ,CHINA	
4-1	DA62-01139X	SEAL-CUTT	OJC,T7,W30	0.37		SNA
4-2	DA62-01504A	SEAL-CONVERTIBLE SIDE	HERMES, OJC, T10, W180	1		SNA
4-3	DA97-05057A	ASSY-TRAY CONVERTIBLE	HERMES	1		SA
4-3-1	DA63-01783G	GASKET-CONVERTIBLE	HERMES,SF-PVC,SC-97527R,CONVERTIBLE	1		SA
4-3-2	DA63-03525A	TRAY-CONVERTIBLE	HERMES,SAN,TRP	1		SA
4-3-3	DA63-03523A	COVER-TRAY CONVERTIBLE A	HERMES,HIPS,WHITE,	1		SA
4-3-4	DA63-03524A	COVER-TRAY CONVERTIBLE B	HERMES,SAN,TRP	1		SA
4-4	DA97-05055A	ASSY-CASE CONVERTIBLE SUB	HERMES	1		SA
4-4-1	6002-000215	SCREW-TAPPING	TH,1,M4.0,L16,ZPC(YEL)	6		SA
4-4-2	6009-001293	SCREW-SPECIAL	TWH,M4,L9(6),PASS,STS304	2		SA
4-4-3	DA66-00151A	ROLLER FRONT	POM	2		SA
4-4-4	DA61-03337A	CASE-CONVERTIBLE A	HERMES,HIPS,WHITE	1		SA
4-4-5	DA61-03340A	CASE-CONVERTIBLE B	HERMES,HIPS,WHITE	1		
4-4-6	DA61-03343A	CASE-CONVERTIBLE C	HERMES,HIPS,WHITE	1		SA
4-4-7	DA84-00003A	ASSY RAIL-BOX L	HERMES-PJT,HIPS	1		SA
4-4-7-1	DA61-03413A	RAIL-BOX L	HERMES-PJT,HIPS,SC-02740R	1		SA
4-4-7-2	DA63-00202C	GROMMET-RAIL	NY-6	1		SA
4-4-8	DA84-00004A	ASSY RAIL-BOX R	HERMES-PJT,HIPS	1		SA
4-4-8-1	DA61-03412A	RAIL-BOX R	HERMES-PJT,HIPS,SC-02740R	1		SA
4-4-8-2	DA63-00202C	GROMMET-RAIL	NY-6	1		SA
4-4-9	DA61-03345A	CASE-PBA ROOM LAMP	HERMES,PP,WHITE	1		SA
4-4-10	DA41-00241B	PBA-ROOM LAMP	FR-1,85*15	1		SA
4-4-11	DA63-03056A	COVER-LED	GPPS	1		SA
4-4-12	DA62-01428A	INSULATION-CONVERTIBLE HIGH	HERMES,FOAM-PS,CONVERTIBLE	1		SA
4-4-13	DA62-01429A	INSULATION-CONVERTIBLE MID	HERMES,FOAM-PS,CONVERTIBLE	1		SA
4-4-14	DA62-01430A	INSULATION-CONVERTIBLE LOW	HERMES,FOAM-PS,CONVERTIBLE	1		SA
4-4-15	DA62-00585A	SEAL-CONVERTIBLE	OJC 3000,T5	1		SNA
4-4-16	DA96-00370A	ASSY W/HARNESS-CONVERTIBLE	DC	1		SA
4-5	DA97-05054A	ASSY-PBA CONVERTIBLE	HERMES,DISPLAY	1		SA
4-5-1	DA64-02117A	BUTTON-CONVERTIBLE	HERMES,ABS,WHITE	1		SA
4-5-2	DA63-03535A	GROMMET-KNOB CONVERTIBLE	HERMES,SILICON,CONVERTIBLE	1		SA
4-5-3	DA61-03346A	CASE-PBA DISPLAY CONVERTIBLE	HERMES,ABS,WHITE	1		SA
4-5-4	DA41-00457A	PBA-DISPLAY CONVERTIBLE	PBA	1		SA
4-5-5	6002-000466	SCREW-TAPPING	PH,2S,M3.0,L8,ZPC(WHT),MSWR10	2		SA
4-5-6	DA64-02118A	WINDOW-DISPLAY CONVERTIBLE	HERMES,GPPS,TRP	1		SA
4-5-7	DA63-03724A	COVER-LED CONVERTIBLE	HERMES, GPPS, TRP	1		SA
5	6002-000215	SCREW-TAPPING	TH,1,M4.0,L16,ZPC(YEL)	2		SA
6	DA97-05045A	ASSY-CASE VEG HIGH	HERMES,SAN+HIPS, 3-PIECE	1	RSJ1,RS*1KUJ, RSH3	SA
	DA97-05337B		HERMES,SAN+TAPE ETC PE,W60, 1-PIECE	1	RS*1F,DBN	
6-1	DA61-03371A	CASE-VEG HIGH	SAN	1		SA
6-2	DA63-03543A	COVER-VEG FRONT HIGH,A	HIPS	1		SA
6-3	DA63-03548A	COVER-VEG FRONT HIGH,B	HERMES,SAN,TRP	1		SA
7	DA97-05044A	ASSY-CASE VEG LOW	HERMES,SAN+HIPS, 3-PIECE	1	RSJ1,RS*1KUJ, RSH3	SA
	DA97-05338B		HERMES,SAN+TAPE ETC PE,W60, 1-PIECE	1	RS*1F,DBN	

## EXPLODED VIEW & PART LIST

### ■ Parts List of Fridge

NO	CODE-NO	PART NAME	Spec	Quantity	Remark	SA/SNA
7-1	DA61-03370A	CASE-VEG LOW	HERMES,SAN,TRP	1		SA
7-2	DA63-03550A	COVER-VEG FRONT LOW B	HERMES,SAN,TRP	1		SA
7-3	DA63-03546A	COVER-VEG FRONT LOW A	HERMES,HIPS,WHITE	1		SA
8	DA97-05048A	ASSY-COVER SLIDE VEG	HERMES,3-PIECE,SAN+HIPS	1	RSJ1,RSH1K/J, RSH3	SA
	DA97-05100B		HERMES,I-PIECE	1	RSH1F/DBN	
8-1	DA63-03566A	COVER VEG-LOW	HERMES,ABS,TRP	1		SA
8-2	DA63-03567A	COVER-SLIDE VEG A	HERMES,HIPS,WHITE	1		SA
8-3	DA63-03568A	COVER-SLIDE VEG B	HERMES,ABS,TRP	1		SA
8-4	DA63-00202C	GROMMET-RAIL	NY-6	2		SA
9	DA97-05064A	ASSY-COVER LAMP REF	HERMES	1		SA
9-1	DA63-03608A	COVER LAMP-REF	HERMES,PP	1		SA
9-2	DA63-03609A	COVER SENSOR	HERMES,ABS,COOL WHT	1		SA
9-3	DA64-02141A	TRIM-SENSOR	HERMES,ABS,COOL WHT, j-i-	1		SA
10	DA63-03734A	TRAY-EGG	HERMES-PJT,GPPS,T2.5,W114.2,L314.17,-,TRANSPARENCY	1		SA
11	DA97-05062A	ASSY COVER-MULTI REF	HERMES,LAMP-3EA,230V	1	RSJ1,RSH1K/J, RSH3K	SA
	DA97-05062B		HERMES,LAMP-2EA,230V	1	RSH1F/DBN/R SH3F/DIN	
	DA97-05062C		HERMES,LAMP-3EA,120V	1	RSJ1,RSH1K/J, RSH3K	
	DA97-05062D		HERMES,LAMP-2EA,120V	1	RSH1F/DBN/R SH3F/DIN	
11-1	4713-001189	LAMP-INCANDESCENT	240V,30W,,25x84	3	240V	SA
	4713-001145		130V,30W,25T*84L	3	130V	
11-2	DA32-10105H	SENSOR-ASSY	502AT10-35.5V,5KOHM	1		SA
11-3	DA47-00257A	LAMP HOLDER	E14,250V,1A,370,NTR,PBT 5VA	1		SA
11-4	DA61-03361A	PLATE-MULTI REF REAR	PP,T1.0	1		SNA
11-5	DA62-01445A	INSULATION-MULTI REF	HERMES,FOAM PS,WHT	1		SA
11-6	DA63-03596A	COVER-MULTI REF	HERMES,PP,COOL WHT	1	RSJ1	SA
	DA63-03596B		HERMES-PJT,PP,COOL WHT,NO lamp hole	1	RSH1/H3	
12	DA96-00379A	ASSY EVAP-REF	HERMES-PJT,A1070-H14,230V,140W,SHEATH-HEATER	1	230V	SA
	DA96-00379B		HERMES-PJT,A1070-H14,120V,140W,SHEATH-HEATER	1	120V	
12-1	DA75-00204A	EVAP REF	A1100P-H12,230V,110W,	1		SNA
12-2	DA61-03358A	PLATE-DRAIN EVAP REF	HERMES,GALVANUM,T0.3	1		SNA
12-3	DA47-00247A	HEATER-METAL SHEATH(REF)	HERMES-PJT,140W,230V,377.8ØY,R-ROOM	1	230V	SA
	DA47-00247B		HERMES-PJT,140W,120V,102.8ØY,R-ROOM	1	120V	
12-4	DA32-10109H	SENSOR ASSY-REF	PX-41C10C-35C,5V	1		SA
12-5	DA61-00453A	FIXER-SENSOR	EVAP,PP,NTR,ALL	1		SA
13	DA97-05053D	ASSY COVER EVAP-REF	HERMES, DISP, CONVERTIBLE, 230V	1	RSJ1K/J,RSH1K/ J,RSH3K 230V	SA
	DA97-05053B		HERMES, DISP, CONVERTIBLE, 120V	1	RSJ1K/J,RSH1K/ J,RSH3K 120V	
	DA97-05247A		HERMES, DISP, 230V	1	RSH1F/D,RSH3F ID.230V	
	DA97-05247B		HERMES, DISP, 120V	1	RSH1F/D,RSH3F ID.120V	
	DA97-05247C		JM,DISP, 230V	1	RSJ1F 230V	
	DA97-05247D		JM,DISP, 120V	1	RSJ1F 120V	
	DA97-05247E		HERMES, BASIC	1	RSH1B/N, RSH3N	
13-1	DA61-03582A	PLATE-DRAIN INS EVAP REF	HERMES,AL,T0.6	1		SNA
13-2	DA63-03607A	COVER LAMP-REF LOW	HERMES,PP	1	RSJ1,RSH1K/ J,RSH3K	SA
13-3	DA61-03356A	PLATE EVAP HEATER REF	GALVANUM,T0.3	1		SNA
13-4	DA47-00265A	LAMP HOLDER(VEG)	14BASE,L850	1	RSJ1,RSH1K/ J,RSH3K	SA
13-5	6002-000213	SCREW-TAPPING	TH,1,M4,L12,ZPC(YEL),S	3		SA
13-6	6002-000215	SCREW-TAPPING	TH,1,M4.0,L16,ZPC(YEL)	4		SA
13-7	DA31-00123A	FAN-BACKWARD	ABS,13Wing	1		SA
13-8	DA31-00043D	MOTOR-DAMPER	DC 12V,Max 60mA,CULLINAN-PJT	1		SA
13-9	DA31-00146E	MOTOR FAN-BLDC	DREP5020LB,BLDC Motor,0.2	1		SA
13-10	DA39-00060B	WIRE HARNESS-MOTOR	F-FAN	1		SA



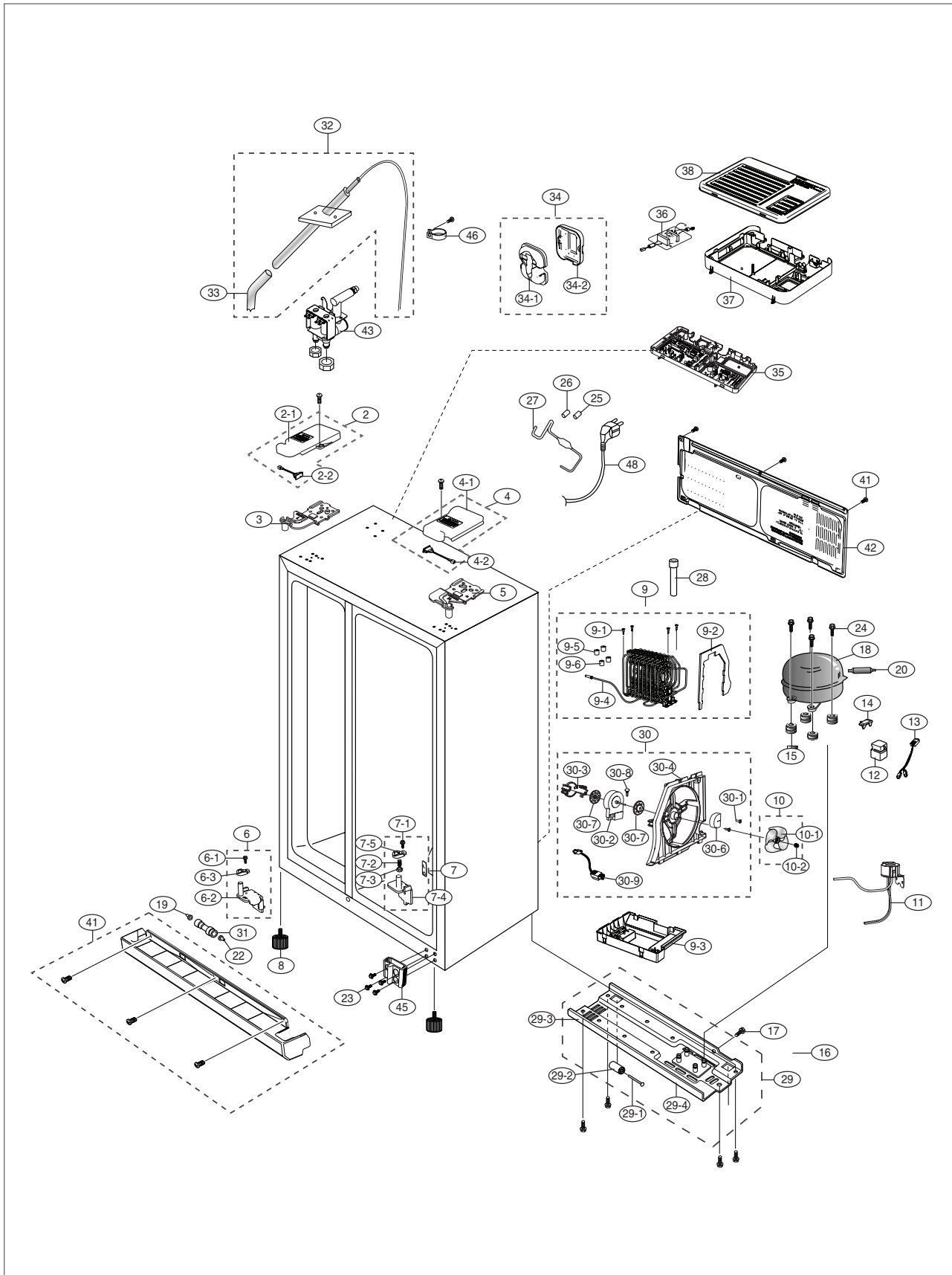
## EXPLODED VIEW & PART LIST

### ■ Parts List of Fridge

NO	CODE-NO	PART NAME	Spec	Quantity	Remark	SA/SNA
13-11	DA61-00327A	PLATE-AIR GUIDE	SILICON,T1.5,W65,L348,COV	1		SA
13-12	DA61-00413A	FIXER-AIR GUIDE	PP,PREMIUM	1		SA
13-13	DA61-00417A	CASE MOTOR	ABS SCRAP,WHT,SBS	1		SA
13-14	DA61-20128A	SPRING ETC-FAN	STS304,PI7.8,OD1.0,	1		SA
13-15	DA62-01442A	INSULATION EVAP-REF A	HERMES,FOAM PS,WHT	1		SA
13-16	DA67-01672A	CAP-INS EVAP REF B	HIPS,NTR	1		SA
13-17	DA62-01443A	INSULATION EVAP-REF B	HERMES,FOAM PS,WHT	1		SA
13-18	DA62-01437A	SEAL COVER EVAP REF AL	FOAM PE+AL,T1.5,∞ <sub>1</sub> ∞ <sub>2</sub>	1		SNA
13-19	DA47-00258A	HEATER-WATER TANK	230V,5W	1	230V	SA
	DA47-00258B		120V,5W	1	120V	
13-20	DA62-01434A	SEAL COVER EVAP REF HIGH	OJC,T7.0,WHITE	1		SNA
13-21	DA63-01146A	GROMMET-MOTOR,REAR	NBR,ID6.5	1		SA
13-22	DA63-03593A	COVER EVAP-REF	HERMES,PP,COOL WHT,CONV	1	RSJ1F	SA
	DA63-03594B		HERMES-PJT,PP,COOL WHT	1		
13-23	DA63-01808A	GROMMET-MOTOR,FRONT	BLDC,NBR,BLACK	1		SA
13-24	DA63-01809A	COVER MOTOR-BLDC	BLDC-NEW,PP,NTR	1		SA
13-25	DA63-40167A	GROMMET-COVER CHIL	T3.0,SILICON,	1		SA
13-26	4713-001189	LAMP-INCANDESCENT	240V,30W,25x84mm	4	RSJ1, RSH1K/J .RSH3K,230V	SA
	4713-001145		130V,30W,25T*84L	4	RSJ1, RSH1K/J .RSH3K,120V	
14	DA63-02902A	COVER-FIXER HOUSING,V	GA T0.4	1		SA
15	DA97-05065A	ASSY COVER-DEODORIZER R	HERMES	1	RSJ1, RSH1K/ J, RSH3K	SA
15-1	DA02-00111A	CATALYST	LTC,T10,W41,L41	1		SA
15-2	DA63-03606A	COVER-DEODORIZER R	HERMES,PP,COOL WHT	1	RSH1F/D/BN, RSH3F/D/N	SA
16	DA97-05066A	ASSY COVER-DEODORISZER L	HERMES	1	RSJ1, RSH1K/ J, RSH3K	SA
16-1	DA02-00111A	CATALYST	LTC,T10,W41,L41	1		SA
16-2	DA63-03605A	COVER-DEODORIZER L	HERMES,PP,COOL WHT	1	RSH1F/D/BN, RSH3F/D/N	SA
17	6002-000215	SCREW-TAPPING	TH,1,M4.0,L16,ZPC(YEL)	9		SA
18	DA97-02650E	ASSY TANK WATER	FITTING MARKING	1		SA

# EXPLODED VIEW & PART LIST

## 5-3 Cabinet & Unit (RSJ1/RSH1/RSH3)



## EXPLODED VIEW & PART LIST

### ■ Parts List of Cabinet

NO	CODE-NO	PART NAME	Spec	Quantity	Remark	SA/SNA
1	DA90-03673A	ASSY-CABINET FOAM	HERMES	1		SNA
2	DA97-04980A	ASSY COVER HINGE-UPP L	HERMES, SNOW WHITE	1	RS***SV/SW	SA
	DA97-04980B		HERMES, I-BLACK	1	RS***BP	
	DA97-04980C		HERMES, TITAN GRAY	1	RS***PS/PE	
	DA97-04980D		HERMES, MANHATTAN SILVER	1	RS***MH	
	DA97-04980E		HERMES, NOBLE STS	1	RS***RS	
	DA97-04980F		HERMES, INOX	1	RS***IS	
	DA63-03529A		ABS, T2.5, SNOW WHITE	1	RS***SV/SW	
	DA63-03529B		ABS, T2.5, I-BLACK	1	RS***BP	
2-1	DA63-03529C	COVER HINGE-UPP L	ABS, T2.5, TITAN GRAY	1	RS***PS/PE	SA
	DA63-03529D		ABS, T2.5, MANHATTAN SILVER	1	RS***MH	
	DA63-03529E		ABS, T2.5, NOBLE STS	1	RS***RS	
	DA63-03529F		ABS, T2.5, INOX	1	RS***IS	
2-2	DA34-00043A	SWITCH REED ASSY	200VDC,1.5	1		SA
3	DA61-03354A	HINGE-UPP L	HERMES,SHP1,T3.0,BLACK	1		SA
4	DA97-04979A	ASSY COVER HINGE-UPP R	HERMES, SNOW WHITE	1	RS***SW	SA
	DA97-04979B		HERMES, I-BLACK	1	RS***BP	
	DA97-04979C		HERMES, TITAN GRAY	1	RS***PE	
	DA97-04979D		HERMES, MANHATTAN SILVER	1	RS***MH	
	DA97-04979E		HERMES, NOBLE STS	1	RS***RS	
	DA97-04979F		HERMES, INOX	1	RS***IS	
4-1	DA63-03530A	COVER HINGE-UPP R	ABS, T2.5, SNOW WHITE	1	RS***SW	SA
	DA63-03530B		ABS, T2.5, I-BLACK	1	RS***BP	
	DA63-03530C		ABS, T2.5, TITAN GRAY	1	RS***PE	
	DA63-03530D		ABS, T2.5, MANHATTAN SILVER	1	RS***MH	
	DA63-03530E		ABS, T2.5, NOBLE STS	1	RS***RS	
	DA63-03530F		ABS, T2.5, INOX	1	RS***IS	
4-2	DA34-00043A	SWITCH REED ASSY	200VDC,1.5	1		SA
5	DA61-03355A	HINGE-UPP R	HERMES,SHP1,T3.0,BLACK	1		SA
6	DA97-04107	ASSY HINGE LOW-L	T4.5,W80.4,L57.8	1		SA
6-1	6003-001435	SCREW-TAPTITE	HWH,S,M5,L12.7,ZPC(YEL),	1		SA
6-2	DA61-02891A	HINGE-LOW FRE	SHP1,T4.5,W54.6,L57	1		SA
6-3	DA66-00343A	CAM-RISER	TH,+,WT,TC,M4,L10,ZPC(YEL)	2		SNA
7	DA97-04354A	ASSY HINGE LOW R	BASIC,10.5 Gasket	1		SA
7-1	6003-001435	SCREW-TAPTITE	HWH,M5,L12.7,ZPC(YEL),	1		SA
7-2	6011-001442	BOLT-SOCKET	M8,L15,ZPC(BLK),SCM435	1		SNA
7-3	6021-001125	NUT-HEXAGON	3,M8, P1.25,ZPC(BLK),SWRCH10	1		SNA
7-4	DA61-02966A	HINGE-LOW REF	10.5mm,SCP1,T4.5,T3.0,	1		SA
7-5	DA66-00343A	CAM-RISER	USP05(ET),NY-66(2110R),BL	1		SNA
8	DA61-30102A	FOOT-FRONT	PP,YEL,T0.6,ZPC2	2		SA
9	DA97-03869A	ASSY TRAY-DRAIN WATER	ET/A-TOP_VE	1		SA
9-1	6009-001252	SCREW-SPECIAL	PH,M4.0,L20(12),ZPC	4		SA
9-2	DA62-01236A	SEAL-SUB CONDENSER	FOAM-PE	1		SNA
9-3	DA63-03069A	TRAY DRAIN-WATER	PP,T2.0	1		SA
9-4	DA97-03962A	ASSY PIPE-SPIRAL COND	ET/A-TOP_VE	1		SA
9-5	DA63-40128A	GROMMET-SUB COND	NBR	2		SA
9-6	DA63-40171B	GROMMET-SUCT PIPE A	NBR,OD20,ID4,L20	2		SA
10	DA31-00010F	FAN-ASS'Y	°A150	1		SA
10-1	DA31-00015C	FAN-TURBO	ABS+GLASS FIBER 10%,GR-4010	1		SA
10-2	DA61-03139A	SPRING ETC-FAN	STS304,PI7.8,OD1.0	1		SA
11	DA97-03125A	ASSY MOTOR-STEP VALVE	NEXT	1	RSJ1	SNA

## EXPLODED VIEW & PART LIST

### ■ Parts List of Cabinet

NO	CODE-NO	PART NAME	Spec	Quantity	Remark	SA/SNA
12	2301-001695	C-FILM,LEAD	5UF,350V,BK	1	230V,50Hz	SA
	2301-001837		12000nF,-5/10%,250V,Bulk,50x25x36		110-127V,60Hz	
	2301-001848		5000nF,-5/10%,450V,Bulk,50x25x36		220-240V,50Hz	
13	DA96-00174A	ASS'Y-HARNESS,COMP	EPEL,WIRE-HARNESS MAIN,A	1	230V,50Hz	SA
	DA96-00174C		AW-PJT,AWG 18		110-127V,60Hz	
	DA39-00154A	WIRE HARNESS-COMP	INVERTER,WIRE HARNESS COMP		INVERTER	
14	DA96-00270A	ASS'Y-RELAY,PTC	12SP18A265RF330,130°.../61°...33BÝ	1	230V,50Hz	SA
	DA96-00270C		12SP16A435RF100,135/61°...10BÝ	1	110-127V,60Hz	
	DA96-00270D		12SP17A317RH220,130/69°...22BÝ	1	220-240V,50Hz	
	DA34-00004C	RELAY PROTECTOR O/L	4TM319SFBYY-82,BK190HL2X,ST_13.0A, U/T_3.10A,135,61	1	INVERTER	
15	DA63-02017A	GROMMET-COMP	EPDM	4		SA
16	DA39-20389L	W/HARNESS EARTH	TMF/LMF,AWG #18,150mm	1		SA
17	DA60-10143A	SCREW-EARTH	BH,M4,L10,PASS,BS	2		SA
18	MK4A5QR1U/E10	COMPRESSOR	220-240V~50HZ,RSCR,STATIC	1	230V,50Hz,R600a	SA
	MK190GL2U/E08		9.08CC,200/220-50,220-60,RSCR	1	220-240V,50Hz,R134a	
	MK172DR2U/E08		115-127V-60HZ,RSCR,FAN	1	110-127V,60Hz,R134a	
	EQ4A5HL2X/D02		15.31CC,BLDC,R-600A	1	INVERTER,R134a	
19	DA71-20207A	FIXER-VALVE WATER A	NY-6,OD7.8	1		SA
20	DA62-01270B	DRYER-ASSY	CU,*18.85,L90	1		SNA
21	DA61-02657A	CLIP-DRYER	SECC1,T0.4	1		SA
22	DA71-20208A	FIXER-VALVE WATER B	NY-6,OD6.1	1		SA
23	DA60-10004A	SCREW-HEX	HH,M6,L16,ZPC(YEL),SWRCH	4		SA
24	DA60-20008A	BOLT-HEX	S25C,L42.6	4		SA
25	DA63-40171B	GROMMET-SUCT PIPE A	NBR,OD20,ID4,L20	1		SA
26	DA63-40171D	GROMMET-SUCT PIPE B	RAIL L19.5,NR,OD20	2		SA
27	DA97-04977A	ASSY PIPE CONNECT-SUCTION	SUCTION	1		SNA
28	DA97-04045A	ASSY TUBE-DRAIN	SOFT-PVC	2		SNA
29	DA97-03971C	ASSY CHASSIS-COMP	SBHG1,T1.4	1		SNA
29-1	DA60-90146A	PIN-CASTER	MSWR10,OD6.0,L40,ZPC2	2		SA
29-2	DA61-40126B	CASTER-REAR	PP,PI 44,NTR,W22	2		SA
29-3	DA64-01808C	CHASSIS COMP	ET/A-TOP_VE,SBHG1,T1.4	1		SNA
30	DA97-03870B	ASSY SUPPORT-CIRCUIT MOTOR	ET/A-TOP_VE	1		SA
30-1	6003-000003	SCREW-TAPTITE	BH,B,M4,L10,ZPC(BLK)	2		SA
30-2	DA31-00146B	MOTOR DC-BLDC SENSOR	DRCP5030LA,230mA	1		SA
30-3	DA61-02355B	BRACKET-CIRCUIT MOTOR	ABS,WHI	1		SA
30-4	DA61-02788A	SUPPORT-CIRCUIT MOTOR	ET/A-TOP_VE,ABS,T2	1		SA
30-5	DA62-01297A	SEAL-SUPPORT MOTOR	FOAM PE,T15,	1		SNA
30-6	DA63-01146A	GROMMET-MOTOR,REAR	NBR,ID6.5	2		SA
30-7	DA63-40167A	GROMMET-COVER CHIL	T3.0,SILICON	1		SA
30-8	DA96-00042A	ASSY-W/HARNESS MOTOR	W/HARNESS	1		SA
31	DA62-20111B	TUBE-FITTING	POM,OD8.1	1		SA
32	DA97-05070A	ASSY PIPE-WATER FRE	240V,10W	1	240V	SA
	DA97-05070B		120V	1	120V	
33	DA63-03629A	GROMMET-WATER PIPE FILL IN	HERMES,SILICON,ICE/MAKER	1		SA
34	DA97-05067A	ASSY-COVER PIPE WATER	HERMES	1		SA
34-1	DA63-00476A	COVER-PIPE-WATER	PP,WHT	1		SA
34-2	DA62-01431A	INSULATION-COVER PIPE WATER	HERMES,FOAM-PS,ICE MAKER	1		SA
35	DA41-00449A	PBA MAIN	JM-PJT, TOP OF REF,FR-1,247*197, 1.6T,DISPENSER+C_ROOM,230V,50HZ	1	RSJ1KU,R600a	SA
	DA41-00449B		JM-PJT, TOP OF REF,FR-1,247*197, 1.6T,DISPENSER,230V,50HZ	1	RSJ1F,R600a	
	DA41-00449C		JM-PJT(HERMES),TOP OF REF,FR-1,247*197, 1.6T,R134a, D+C, AC COMP, 'C,110/230,50/60	1	RSJ1KU,R134a	
	DA41-00451A		HERMES-PJT, TOP OF REF,FR-1,247*197, 1.6T,DISPENSER+C_ROOM,230V,50HZ	1	RSJ1KU,RSJ3K,R600a	

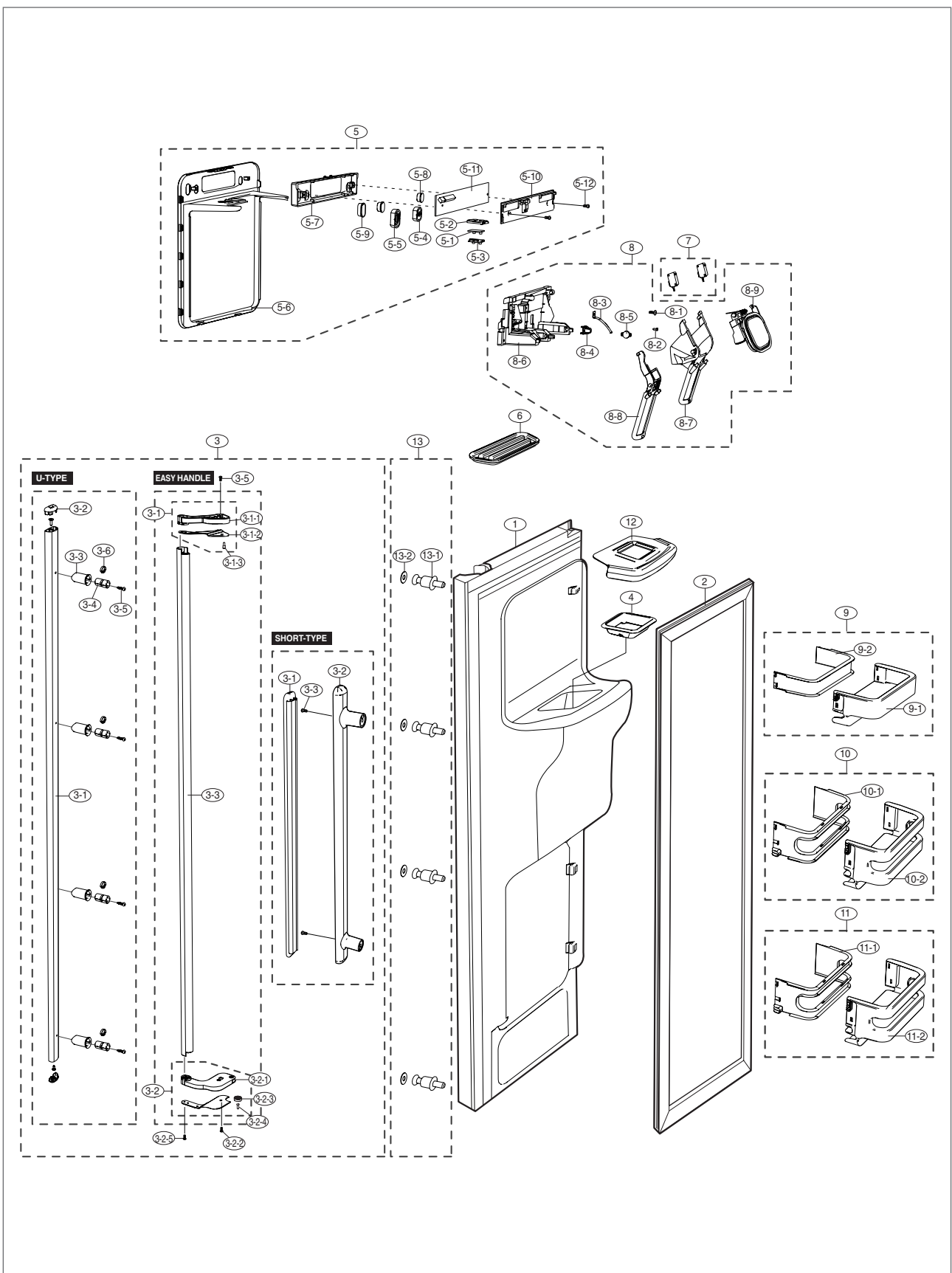
## EXPLODED VIEW & PART LIST

### ■ Parts List of Cabinet

NO	CODE-NO	PART NAME	Spec	Quantity	Remark	SA/SNA
	DA41-00451B	PBA MAIN	HERMES-PJT, TOP OF REF, FR-1, 247*197, 1.6T, DISPENSER, 230V, 50HZ	1	RSH1F/D, RSH3 F/D, R600a	
	DA41-00451C		HERMES-PJT, TOP OF REF, FR-1, 247*197, 1.6T, R134a, D+C, AC COMP, IC, 110/230, 50/60	1	RSH1K/J, RSH3 K, R134a	
	DA41-00451D		HERMES-PJT, TOP OF REF, FR-1, 247*197, 1.6T, R134a, DISPENSER, AC COMP, IC, 110/230, 50/60	1	RSH1F/D, RSH3 F/D, R134a	
	DA41-00451E		HERMES-PJT, TOP OF REF, FR-1, 247*197, 1.6T, R600a, D+C, INV COMP, IC, 230, 50	1	RSH1Z, R600a, INVERTER	
36	DA27-00014D	COIL FILTER-EMI FILTER	USP05(SRT768), 5mH, 27, 83*60, BOX, 5A, -20to+80C	1		SA
37	DA61-03363A	CASE-PBA MAIN	N-PP, SNOW-WHITE	1	RS***SW	SA
	DA61-03363D		N-PP, MANHATTAN SILVER	1	RS***BP/PE/M HRS/IS	
38	DA97-05275A	ASSY COVER-PBA MAIN	SBHG1	1		SA
39	6001-000541	SCREW-MACHINE	PH,+,M4,L6,ZPC(YEL),SWRCH1	2		SA
40	6002-000213	SCREW-TAPPING	TH,1,M4,L12,ZPC(YEL),S	9		SA
41	6002-000470	SCREW-TAPPING	TH,M4,L10,ZPC(YEL),S	3		SA
42	DA60-10004A	SCREW-HEX	HH,+,M6,L16,ZPC(YEL),SWRCH	6		SA
43	DA63-03531A	COVER LEG-FRONT	PP, T2.5, SNOW WHITE	1	RS***SW	SA
	DA63-03531B		PP, T2.5, I-BLACK	1	RS***BP	
	DA63-03531C		PP, T2.5, TITAN GRAY	1	RS***PE	
	DA63-03531D		PP, T2.5, MANHATTAN SILVER	1	RS***MH	
	DA63-03531E		PP, T2.5, NOBLE STS	1	RS***RS	
	DA63-03531F		PP, T2.5, INOX	1	RS***IS	
44	DA97-05202A	ASSY COVER-COMP	HERMES-PJT, SBHG1, T0.35	1		SA
45	DA97-02682A	ASSY WATER-VALVE	220-240V, 1.0-8.0	1		SA
46	DA61-01181A	FIXER HOSE-REAR FRAME	ABS BLACK	1		SA
47	DA61-03036A	BRACKET-HINGE LOW	AL SQUEEZING(6063T0)	1		SA
48	DA39-00057C	CBF-POWER CORD	BP-3(SA16A), HOUSING TYPE	1	XFA	SA
	DA39-00059B		SP-3, HOUSING TYPE	1	SWS	
	DA39-10003E		EP-2(125V/12A), HOUSING TYPE	1	SCL	
	DA39-10106F		AP-3, HOUSING TYPE	1	RAD, XSA	
	DA39-10115D		UCP-2, 250V, 10/16A, L2100, VDE, 300, 3, 1	1	BUL, BINT, AUSE, R, HIC, VAG, I EE, REF, XES, XEH, XEN, XE, X, EP, XES, XSC, XSE	
	DA39-10127D		WS-013, HOUSING TYPE	1	GLI	
	DA39-10139D		WS-013, HOUSING TYPE	1	XME	
	DA39-10139E		BF-3(APPROVED, BK168), HOUSING TYPE	1	XSS	
	DA39-10164E		BF-3(BSI), HOUSING TYPE	1	XEU	
	DA39-10165C		SPT-3, HOUSING TYPE	1	XAP, XEM	
	3903-000153		EP-2(250V/12A), HOUSING TYPE	1	SAM, XTC	
	3903-000310		TP2, HOUSING TYPE	1	XST	

# EXPLODED VIEW & PART LIST

## 5-4) Freezer Door (RSJ1)



## EXPLODED VIEW & PART LIST

### ■ Parts List of Freezer Door(RSJ1)

NO	CODE-NO	PART NAME	Spec	Quantity	Remark	SA/SNA
1	DA91-02459A	ASSY-DOOR FOAM FRE	JM,55mm, EASY HANDLE	1		SNA
2	DA97-04567C	ASSY-GASKET DOOR FRE	SF-PVC,332X1	1		SA
3	<b>EASY HANDLE</b>					RSJ1"E"
3-1	DA97-05173A	ASSY-CAP-HANDLE-FRE-UPP	HERMES, SNOW WHITE	1	RSJ1"ESV	SA
	DA97-05173B		HERMES, I-BLACK	1	RSJ1"EBP	
	DA97-05173C		HERMES, TITAN GRAY	1	RSJ1"EPS	
	DA97-05173D		HERMES, MANHATTAN SILVER	1	RSJ1"EMH	
	DA97-05173E		HERMES, NOBLE STS	1	RSJ1"ERS	
3-1-1	DA67-01684A	CAP-HANDLE-FRE-UPP	JM,PC-ABS,WHITE	1	RSJ1"ESV	SNA
	DA67-01684B		JM,PC-ABS,I-BLACK	1	RSJ1"EBP	
	DA67-01684C		JM,PC-ABS,TITAN GRAY,PLATINUM-SILVER(SC-05010S)	1	RSJ1"EPS	
	DA67-01684D		JM,PC-ABS,MANHATTAN SILVER,MANHATTAN SILVER(SC-06036S)	1	RSJ1"EMH	
	DA67-01684E		JM,PC-ABS,NOBLE STS,VERSAILLES STS(SC-05061S)	1	RSJ1"ERS	
3-1-2	DA61-03407A	REINF-HANDLE-FRE-UPP	SHP1,T2.0,ZPC3-W	1	RSJ1"E"	SA
3-1-3	6006-001170	SCREW-TAPPING	TH,M4,L12,ZPC(WHT)	1		SA
3-2	DA97-05175A	ASSY-CAP-HANDLE-FRE-LOW	HERMES, SNOW WHITE	1	RSJ1"ESV	SA
	DA97-05175B		HERMES, I-BLACK	1	RSJ1"EBP	
	DA97-05175C		HERMES, TITAN GRAY	1	RSJ1"EPS	
	DA97-05175D		HERMES, MANHATTAN SILVER	1	RSJ1"EMH	
	DA97-05175E		HERMES, NOBLE STS	1	RSJ1"ERS	
3-2-1	DA67-01685A	CAP-HANDLE-FRE-LOW	JM,PC-ABS,WHITE	1	RSJ1"ESV	SNA
	DA67-01685B		JM,PC-ABS,I-BLACK	1	RSJ1"EBP	
	DA67-01685C		JM,PC-ABS,TITAN GRAY,PLATINUM-SILVER(SC-05010S)	1	RSJ1"EPS	
	DA67-01685D		JM,PC-ABS,MANHATTAN SILVER,MANHATTAN SILVER(SC-06036S)	1	RSJ1"EMH	
	DA67-01685E		JM,PC-ABS,NOBLE STS,VERSAILLES STS(SC-05061S)	1	RSJ1"ERS	
3-2-2	6006-001170	SCREW TAPPING	TH,M4,L12,ZPC(WHT)	1		SA
3-2-3	DA66-00448A	ROLLER LEVER LINK,A	CULLINAN,POM,NEO-VICTORY GRAY(SC-02684R),EASY-OPEN	1	RSJ1"E"	SNA
3-2-4	DA81-01304A	PIN ROLLER EASY	SCP1	1	RSJ1"E"	SNA
3-2-5	DA61-03408A	REINF-HANDLE-FEF-LOW	SHP1,T2.0,ZPC3-W	1	RSJ1"E"	SA
3-3	DA64-02142A	HANDLE-BAR	JM,GRAY,SPRAY(VICTORY SILVER : SC-016459)	1	RSJ1"EPS	SA
	DA64-02142B		JM,AL(A6063),SC-07018T(BALLENTINE BLACK)	1	RSJ1"EBP	
	DA64-02142C		JM,AL(A6063),SC-05016T(SNOW WHITE)	1	RSJ1"ESV	
	DA64-02142E		JM,AL(A6063),SC-06034T(INOX)	1	RSJ1"EMHRS	
3-4	6002-001227	SCREW-TAPPING	TH,+,-,1,M4,L25,ZPC(WHT),SWRCH18A	1	RSJ1"E	SA
3-5	6001-000715	SCREW-MACHINE	TH,M5,L16,ZPC(WHT),SWRCH18A	1	RSJ1"E	SA
3	<b>U TYPE HANDLE</b>				1	RSJ1"U"
3-1	DA64-02152A	HANDLE-BAR(U TYPE HANDLE)	JM,AL(A6063),HALF CIRCLES, HAIRLINE, LONG	1	RSJ1"USV	SA
	DA64-02152C		JM,AL(A6063),1609,NATURAL SILVER,HALF CIRCLES, HAIRLINE, LONG	1	RSJ1"UPS	
	DA64-02152E		JM,AL(A6063),1609,INOX,HALF CIRCLES, HAIRLINE, LONG	1	RSJ1"UMHRS	
	DA64-02152F		JM,AL(A6063),1609,Ballentine Black,HALF CIRCLES, HAIRLINE, LONG	1	RSJ1"UBP	
3-2	DA67-01669A	CAP-HANDLE	JM,ABS,T2,NTR, LONG	2		SNA
3-3	DA67-01809A	CAP-SUPPORT HANDLE	JM,ABS,SC-97527R(SNOW-WHITE),ONE TOUCH	4	RSJ1"USV	SA
	DA67-01809B		JM,ABS,SC-00477R(I-BLACK),ONE TOUCH	4	RSJ1"UBP	
	DA67-01809C		JM,ABS,SC-05010S(PLATINUM-SILVER),ONE TOUCH	4	RSJ1"UPS	
	DA67-01809D		JM,ABS,SC-06036S(MANHATTAN SILVER),ONE TOUCH	4	RSJ1"UMHRS	
3-4	DA61-03726A	SUPPORT-HANDLE	HERMES,NY66,NTR	4		SA
3-5	6009-001512	SCREW-SPECIAL	BH,+,-,M4,L16,ZPC(WHT),SWRCH18A	4		SA
3-6	DA61-03636A	STOPPER-HANDLE	CULLINAN,SK5	4		SA
3	<b>SHORT TYPE</b>					
3-1	DA64-02150B	HANDLE-FRONT	JM,AL(A6063),SC-07018T(Ballentine Black),SHORT, HAIRLINE	1	RSJ1"S"	SA
	DA64-02150C		JM,AL(A6063),SC-06147T(Natural Silver),SHORT, HAIRLINE	1	RSJ1"SBP	

## EXPLODED VIEW & PART LIST

### ■ Parts List of Freezer Door(RSJ1)

NO	CODE-NO	PART NAME	Spec	Quantity	Remark	SA/SNA
	DA64-02150E		JM,AL(A6063),SC-06034T(INOX),SHORT, HAIRLINE	1	RSJ1**SSVPS	
3-2	DA64-02133B	HANDLE-BASE	JM,ABS,T3.0,SC-00477R(I-BLACK),SHORT	1	RSJ1**SMHRS	SA
	DA64-02133C		JM,ABS,T3.0,SC-05010S(PLATINUM-SILVER),SHORT	1	RSJ1**SBP	
	DA64-02133D		JM,ABS,T3.0,SC-06036S(MANHATTAN SILVER),SHORT	1	RSJ1**SSVPS	
3-3	6001-000716	SCREW-MACHINE	TH,+,-,M5,L16,ZPC(WHT),MSWR10	1	RSJ1**SMHRS	SA
4	DA67-01667A	CAP-CHUTE ICE	HERMES,ABS,T1.8,SC-02740R(COOL-WHITE),DISP, 55mm	1		SA
5	DA97-05024A	ASSY-COVER DISPENSER	JM-PJT,SNOW-WHITE	1	RSJ1**SV	SA
	DA97-05024B		JM,SC-00477R(I-BLACK)	1	RSJ1**BP	
	DA97-05024C		JM,SC-05010S(PLATINUM-SILVER)	1	RSJ1**PS	
	DA97-05024D		JM,SC-06036S(MANHATTAN SILVER)	1	RSJ1**MH	
	DA97-05024E		JM,SC-05061S(VERSAILLES STS)	1	RSJ1**RS	
5-1	DA41-00217B	ASS'Y-LAMP,PBA(NEXT)	E-PEL,DOOR FRE,FR-1,31*17,DISPENSER LAMP,12V,60HZ	1		SNA
5-2	DA67-01012A	CAP-LAMP,PCB	ABS	1		SNA
5-3	DA63-02101A	GASKET-LAMP,PCB	SILICON	1		SNA
5-4	DA63-03589A	GROMMET-BUTTON CONTROL A	JM,SILICON,T1.5,BLACK,DISP, 40°C	1		SA
5-5	DA63-03590A	GROMMET-BOTTON CONTROL B	JM,SILICON,T1.5,BLACK,DISP, 40°C	1		SA
5-6	DA63-03587F	COVER-DISPENSER	JM,ABS,T2.0,SC-07057S(JM HALF WHITE),DISP	2	RSJ1**SV	SA
	DA63-03587G		JM,ABS,T2.0,SC-07040S(HALF BLACK),DISP	1	RSJ1**BP	
	DA63-03587C		JM,ABS,T2.0,SC-05010S(PLATINUM-SILVER),DISP	1	RSJ1**PS	
	DA63-03587D		JM,ABS,T2.0,SC-06036S(MANHATTAN SILVER),DISP	1	RSJ1**MH	
	DA63-03587E		JM,ABS,T2.0,SC-05061S(VERSAILLES STS),DISP	1	RSJ1**RS	
5-7	DA63-03591A	COVER-CONTROL WINDOW FRE	JM,GPPS,T2.0,CRYSTAL,DISP, HALF MIRROR	1		SNA
5-8	DA64-02129F	BUTTON-CONTROL A	JM,ABS,SC-07057S(JM HALF WHITE),DISP	1	RSJ1**SV	SA
	DA64-02129G		JM,ABS,SC-07040S(HALF BLACK),DISP	1	RSJ1**BP	
	DA64-02129C		JM,ABS,SC-05010S(PLATINUM-SILVER),DISP	1	RSJ1**PS	
	DA64-02129D		JM,ABS,SC-06036S(MANHATTAN SILVER),DISP	1	RSJ1**MH	
	DA64-02129E		JM,ABS,SC-05061S(VERSAILLES STS),DISP	1	RSJ1**RS	
5-9	DA64-02130G	BUTTON-CONTROL B	JM,ABS,SC-07057S(JM HALF WHITE),DISP	1	RSJ1**SV	SA
	DA64-02130H		JM,ABS,SC-07040S(HALF BLACK),DISP	2	RSJ1**BP	
	DA64-02130C		JM,ABS,SC-05010S(PLATINUM-SILVER),DISP	2	RSJ1**PS	
	DA64-02130D		JM,ABS,SC-06036S(MANHATTAN SILVER),DISP	2	RSJ1**MH	
	DA64-02130E		JM,ABS,SC-05061S(VERSAILLES STS),DISP	2	RSJ1**RS	
	DA64-02130F		JM,ABS,SC-06148R(JM BLUE),DISP	2	RSJ1	
5-10	DA63-03578A	COVER-PBA PANEL	JM,PP,T1.8,WHITE,DISP	2		SA
5-11	DA41-00453A	PBA DISPLAY-LED PANEL PBA	JM-PJT	1		SA
5-12	6002-000630	SCREW-TAPPING	TH3*8	1		SA
6	DA63-03586G	TRAY DISPENSER	JM,ABS,T2.5,(SC-07057S)JM HALF WHITE,DISP	2	RSJ1**SV	SA
	DA63-03586H		JM,ABS,T2.5,(SC-07040S)HALF BLACK,DISP	1	RSJ1**BP	
	DA63-03586C		JM,ABS,T2.5,SC-05010S(PLATINUM-SILVER),DISP	1	RSJ1**PS	
	DA63-03586D		JM,ABS,T2.5,SC-06036S(MANHATTAN SILVER),DISP	1	RSJ1**MH	
	DA63-03586E		JM,ABS,T2.5,SC-05061S(VERSAILLES STS),DISP	1	RSJ1**RS	
7	DA34-00011A	SWITCH-MICRO	VP533A-OF-5,MICRO,250V, 15A,	1		SA
8	DA97-05028B	ASSY-COVER PBA PANEL REAR	HERMES-PJT,LEVER(INsert)	2		SA
8-1	6002-000213	SCREW-TAPPING	TH,+,-,1,M4,L12	1		SA
8-2	6002-000630	SCREW-TAPPING	PH,+,-,2S,M3,L8,ZPC(YEL)	1		SA
8-3	DA61-01616A	SPRING ETC-LEVER DISP WATER	STS304,	1		SA
8-4	DA61-01868A	BRACKET-OIL DAMPER	ABS,SC-93437	1		SA
8-5	DA61-01869A	OIL DAMPER	POM,120g/Cm,OD15	1		SA
8-6	DA63-03588A	COVER-PBA PANEL REAR	JM,ABS,T2.0,WHITE,DISP	1		SA
8-7	DA66-00453A	LEVER DISPENSER-ICE	JM,PC,T2.5,CRYSTAL,DISP	1		SNA
8-8	DA66-00454A	LEVER DISPENSER-WATER	JM,PC,T2.5,CRYSTAL,DISP	1		SNA



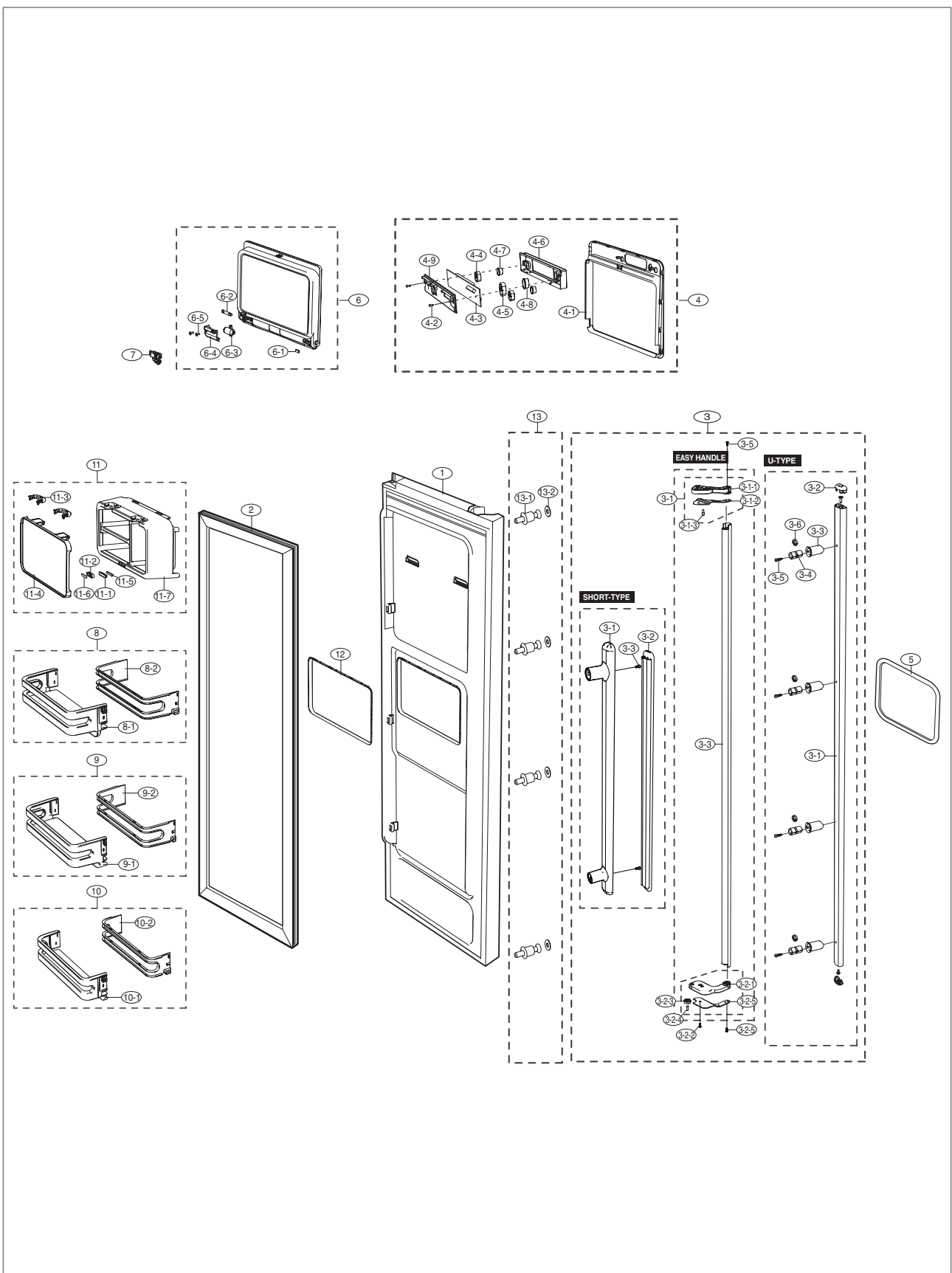
## EXPLODED VIEW & PART LIST

### ■ Parts List of Freezer Door(RSJ1)

NO	CODE-NO	PART NAME	Spec	Quantity	Remark	SA/SNA
8-9	DA97-04131F	ASSY COVER-ICE ROUTE	JM-PJT,LEVER(INSERT)	1		SA
9	DA97-04969A	ASSY GUARD FRE-TOP	HERMES PJT,JM	1		SA
9-1	DA63-03557A	GUARD FRE-TOP	HIPS	1		SA
9-2	DA63-03559A	COVER-GUARD FRE TOP	HIPS	1		SA
10	DA97-04970A	ASSY GUARD-FRE MID	HERMES PJT,JM	1		SA
10-1	DA63-03555A	GUARD-FRE MID	HIPS	1		SA
10-2	DA63-03558A	COVER-GUARD FRE LOW	HIPS	1		SA
11	DA97-04971A	ASSY GUARD FRE-LOW	HERMES PJT,JM	1		SA
11-1	DA63-03555A	GUARD-FRE LOW	HIPS	1		SA
11-2	DA63-03558A	COVER-GUARD FRE LOW	HIPS	1		SA
12	DA63-03729B	GUARD-FRE SUB	HERMES,ABS,T2.0	1		SA
13	DA97-05529A	ASSY-BRACKET HANDLE	HERMES, SWRC10A	4		SA
13-1	DA61-03725A	BRACKET-HANDLE	HERMES,SWRC10A,FH, MR, L10.5,	4		SA
13-2	DA63-03840A	GROMMET-HANDLE	HERMES,SILICON,T1,NTR,DISP, 40°	4		SA

# EXPLODED VIEW & PART LIST

## 5-5) Fridge Door (RSJ1)



## EXPLODED VIEW & PART LIST

### ■ Parts List of Fridge Door(RSJ1)

NO	CODE-NO	PART NAME	Spec	Quantity	Remark	SA/SNA
1	DA91-02458A	ASSY DOOR FOAM REF	JM,55mm, EASY HANDLE	1		SNA
2	DA97-04567D	ASSY-GASKET DOOR REF	SF-PVC,478X1	1		SA
3	<b>EASY HANDLE</b>			1	RSJ1E*	
3-1	DA97-05174A	ASSY-CAP-HANDLE-REF-UPP	HERMES, SNOW WHITE	1	RSJ1ESV	SA
	DA97-05174B		HERMES, I-BLACK	1	RSJ1EBP	
	DA97-05174C		HERMES, TITAN GRAY	1	RSJ1EPS	
	DA97-05174D		HERMES, MANHATTAN SILVER	1	RSJ1EMH	
	DA97-05174E		HERMES, NOBLE STS	1	RSJ1ERS	
3-1-1	DA67-01682A	CAP-HANDLE-REF-UPP	JM,PC-ABS,WHITE	1	RSJ1ESV	SNA
	DA67-01682B		JM,PC-ABS,I-BLACK	1	RSJ1EBP	
	DA67-01682C		JM,PC-ABS,TITAN GRAY,PLATINUM-SILVER(SC-05010S)	1	RSJ1EPS	
	DA67-01682D		JM,PC-ABS,MANHATTAN SILVER,MANHATTAN SILVER(SC-06036S)	1	RSJ1EMH	
	DA67-01682E		JM,PC-ABS,NOBLE STS,VERSAILLES STS(SC-05061S)	1	RSJ1ERS	
3-1-2	DA61-03405A	REINF-HANDLE-REF-UPP	SHP1,T2.0,ZPC3-W	1	RSJ1E*	SA
3-1-3	6006-001170	SCREW-TAPPING	TH,M4,L12,ZPC(WHT)	1		SA
3-2	DA97-05176A	ASSY-CAP-HANDLE-REF-LOW	HERMES, SNOW WHITE	1	RSJ1ESV	SA
	DA97-05176B		HERMES, I-BLACK	1	RSJ1EBP	
	DA97-05176C		HERMES, TITAN GRAY	1	RSJ1EPS	
	DA97-05176D		HERMES, MANHATTAN SILVER	1	RSJ1EMH	
	DA97-05176E		HERMES, NOBLE STS	1	RSJ1ERS	
3-2-1	DA67-01683A	CAP-HANDLE-REF-LOW	JM,PC-ABS,WHITE	1	RSJ1ESV	SNA
	DA67-01683B		JM,PC-ABS,I-BLACK	1	RSJ1EBP	
	DA67-01683C		JM,PC-ABS,TITAN GRAY,PLATINUM-SILVER(SC-05010S)	1	RSJ1EPS	
	DA67-01683D		JM,PC-ABS,MANHATTAN SILVER,MANHATTAN SILVER(SC-06036S)	1	RSJ1EMH	
	DA67-01683E		JM,PC-ABS,NOBLE STS,VERSAILLES STS(SC-05061S)	1	RSJ1ERS	
3-2-2	6006-001170	SCREW TAPPING	TH,M4,L12,ZPC(WHT)	1		SA
3-2-3	DA66-00448A	ROLLER LEVER LINK,A	CULLINAN,POM,NEO-VICTORY GRAY(SC-02684R),EASY-OPEN	1	RSJ1E*	SNA
3-2-4	DA81-01304A	PIN ROLLER EASY	SCP1	1	RSJ1E*	SNA
3-2-5	DA61-03406A	REINF-HANDLE-REF-LOW	SHP1,T2.0,ZPC3-W	1	RSJ1E*	SA
3-3	DA64-02142A	HANDLE-BAR	JM,GRAY,SPRAY(VICTORY SILVER : SC-016459)	1	RSJ1EPS	SA
	DA64-02142B		JM,AL(A6063),SC-07018T(BALLENTINE BLACK)	1	RSJ1EBP	
	DA64-02142C		JM,AL(A6063),SC-05016T(SNOW WHITE)	1	RSJ1ESV	
	DA64-02142E		JM,AL(A6063),SC-06034T(INOX)	1	RSJ1EMHRS	
3-4	6002-001227	SCREW-TAPPING	TH,+,-,1,M4,L25,ZPC(WHT),SWRCH18A	1	RSJ1E	SA
3-5	6001-000715	SCREW-MACHINE	TH,M5,L16,ZPC(WHT),SWRCH18A	1	RSJ1E	SA
3	<b>U TYPE HANDLE</b>			1	RSJ1U*	
3-1	DA64-02152A	HANDLE-BAR(U TYPE HANDLE)	JM,AL(A6063),HALF CIRCLES, HAIRLINE, LONG	1	RSJ1USV	SA
	DA64-02152C		JM,AL(A6063),1609,NATURAL SILVER,HALF CIRCLES, HAIRLINE, LONG	1	RSJ1UPS	
	DA64-02152E		JM,AL(A6063),1609,INOX,HALF CIRCLES, HAIRLINE, LONG	1	RSJ1UMHRS	
	DA64-02152F		JM,AL(A6063),1609,Ballentine Black,HALF CIRCLES, HAIRLINE, LONG	1	RSJ1UBP	
3-2	DA67-01669A	CAP-HANDLE	JM,ABS,T2,NTR, LONG	2		SA
3-3	DA67-01809A	CAP-SUPPORT HANDLE	JM,ABS,SC-97527R(SNOW-WHITE),ONE TOUCH	4	RSJ1USV	SA
	DA67-01809B		JM,ABS,SC-00477R(I-BLACK),ONE TOUCH	4	RSJ1UBP	
	DA67-01809C		JM,ABS,SC-05010S(PLATINUM-SILVER),ONE TOUCH	4	RSJ1UPS	
	DA67-01809D		JM,ABS,SC-06036S(MANHATTAN SILVER),ONE TOUCH	4	RSJ1UMHRS	
3-4	DA61-03726A	SUPPORT-HANDLE	HERMES,NY66,NTR	4		SA
3-5	6009-001512	SCREW-SPECIAL	BH,+,-,M4,L16,ZPC(WHT),SWRCH18A	1		SA
3-6	DA61-03636A	STOPPER-HANDLE	HT,M4,L4,PASS,STS304,FP	4		SA
3	<b>SHORT TYPE</b>			1	RSJ1SBP	
3-1	DA64-02150B	HANDLE-FRONT	JM,AL(A6063),SC-07018T(Ballentine Black),SHORT, HAIRLINE	1	RSJ1SBP	SA
	DA64-02150C		JM,AL(A6063),SC-06147T(Natural Silver),SHORT, HAIRLINE	1	RSJ1SSVPS	

## EXPLODED VIEW & PART LIST

### ■ Parts List of Fridge Door(RSJ1)

NO	CODE-NO	PART NAME	Spec	Quantity	Remark	SA/SNA
	DA64-02150E		JM,AL(A6063),SC-06034T(INOX),SHORT, HAIRLINE	1	RSJ1SMHRS	
3-2	DA64-02133B	HANDLE-BASE	JM,ABS,T3.0,SC-00477R(I-BLACK),SHORT	1	RSJ1SBP	SA
	DA64-02133C		JM,ABS,T3.0,SC-05010S(PLATINUM-SILVER),SHORT	1	RSJ1SSVPS	
	DA64-02133D		JM,ABS,T3.0,SC-06036S(MANHATTAN SILVER),SHORT	1	RSJ1SMHRS	
3-3	6001-000716	SCREW-MACHINE	TH,+,-,M5,L16,ZPC(WHT),MSWR10	1		SA
4	DA97-05084A	ASSY-COVER BRACKET,FRAME	HERME-PJT,ABS,SNOW-WHITE(SC-97527R),JM-DOOR	1	RSJ1K1SV	SA
	DA97-05084B		HERMES PJT,ABS, I-BLACK(SC-00477R),JM	1	RSJ1K1BP	
	DA97-05084C		HERMES PJT,ABS,T-GRY(SC-03186R),JM,P-SIL(SC-05010S)	1	RSJ1K1PS	
	DA97-05084D		HERMES PJT,ABS,M-SIL(SC-06036R),JM,M-SIL(SC-06036S)	1	RSJ1K1MH	
	DA97-05084E		HERMES PJT,ABS,V-ST(S-04084R),JM,V-SIL(SC-05061S)	1	RSJ1K1RS	
	DA97-05084F		HERMES,ABS, S-WHT(SC-97527R),DISPENSER,H/B	1	RSJ1F1SV	
	DA97-05084G		HERMES,ABS,I-BLK(SC-00477R),DISPENSER,H/B	1	RSJ1F1BP	
	DA97-05084H		HERMES,ABS,T-GRY(SC-03186R),P-SIL(SC-05010S),DISPENSER,H/B	1	RSJ1F1PS	
	DA97-05084J		HERMES,ABS,M-SIL(SC-06036R),M-SIL(SC-06036S),DISPENSER,H/B	1	RSJ1F1MH	
	DA97-05084K		HERMES,ABS,V-ST(S-04084R),V-SIL(SC-05061S),DISPENSER,H/B	1	RSJ1F1RS	
4-1	DA63-03597F	COVER-BRACKET FRAME	HERME-PJT,ABS,T2.5,JM HALF WHITE(SC-07057S)	1	RSJ1K1F1SV	SA
	DA63-03597G		HERME-PJT,ABS,T2.5,HALF BLACK(SC-07040S)	1	RSJ1K1F1BP	
	DA63-03597C		HERMES,ABS,T2.5,T-GRY,PS_SPRAY	1	RSJ1K1F1PS	
	DA63-03597D		HERMES,ABS,T2.5,M-SIL,M-SIL_SPRAY	1	RSJ1K1F1MH	
	DA63-03597E		HERMES,ABS,T2.5,V-ST(S-04084R),V-SIL(SC-05061S),DISPENSER,H/B	1	RSJ1K1F1RS	
4-2	6002-000466	SCREW-TAPPING	PH,+2S,M3,L8,ZPC(WHT),S	2		SA
4-3	DA41-00453A	PBA DISPLAY-LED PANEL PBA	JM-PJT,Europe,FR-4,196°40.5'11.6,R_Door, Dispenser+CoolZone, Vacation,12V, 5V,50Hz	1	RSJ1K1JU	SA
	DA41-00453B		JM-PJT,Europe,FR-4,196°40.5'11.6,R_Door, Dispenser, Vacation,12V, 5V,50Hz	1	RSJ1F1	
4-4	DA63-03589A	GROMMET-BUTTON CONTROL,A	SILICON,	1		SA
4-5	DA63-03590A	GROMMET-BUTTON CONTROL,B	SILICON,	2		SA
4-6	DA63-03599A	COVER-CONTROL WINDOW REF	HERME-PJT,GPPS,T2.0,CRYSTAL,HALF-MIRROR	1		SA
4-7	DA64-02129F	BUTTON-CONTROL A	JM,ABS,SC-07057S(JM HALF WHITE),DISP	1	RSJ111SV	SA
	DA64-02129G		JM,ABS,SC-07040S(HALF BLACK),DISP	1	RSJ111BP	
	DA64-02129C		JM,ABS,SC-05010S(PLATINUM-SILVER),DISP	1	RSJ111PS	
	DA64-02129D		JM,ABS,SC-06036S(MANHATTAN SILVER),DISP	1	RSJ111MH	
	DA64-02129E		JM,ABS,SC-05061S(VERSAILLES STS),DISP	1	RSJ111RS	
4-8	DA64-02130G	BUTTON-CONTROL B	JM,ABS,SC-07057S(JM HALF WHITE),DISP	2	RSJ111SV	SA
	DA64-02130H		JM,ABS,SC-07040S(HALF BLACK),DISP	2	RSJ111BP	
	DA64-02130C		JM,ABS,SC-05010S(PLATINUM-SILVER),DISP	2	RSJ111PS	
	DA64-02130D		JM,ABS,SC-06036S(MANHATTAN SILVER),DISP	2	RSJ111MH	
	DA64-02130E		JM,ABS,SC-05061S(VERSAILLES STS),DISP	2	RSJ111RS	
	DA64-02130F		JM,ABS,SC-06148R(JM BLUE),DISP	2		
4-9	DA63-03578A	COVER-PBA PANEL	JM,PP,T1.8,WHITE,DISP	1		SA
5	DA63-03601A	GASKET HOME BAR-OUT	NEW SF-PVC,	1		SA
6	DA97-05077F	ASSY-HOME BAR FOAM	HERME-PJT,JM HALF WHT,HALF GLOSSY	1	RSJ1K1F1SV	SA
	DA97-05077G		HERME-PJT,HALF BLK,HALF GLOSSY	1	RSJ1K1F1BP	
	DA97-05077H		HERME-PJT,P-SIL(SC-05010S),TAPE_DOUBLE FACE	1	RSJ1K1F1PS	
	DA97-05077J		HERME-PJT,M-SIL(SC-06036S),TAPE_DOUBLE FACE	1	RSJ1K1F1MH	
	DA97-05077K		HERME-PJT,V-ST(S-05061S),TAPE_DOUBLE FACE	1	RSJ1K1F1RS	
6-1	DA67-00638A	CAP-H/B DOOR IN	A-TOP,SILICON,SC-01625R,CREAM-WHT,A-TOP	1	RSJ1K1F1SV	SA
	DA67-00638L		NEXT-PJT, HOME-BAR,SILICON,I-BLACK,SC-00477R	1	RSJ1K1F1BP	
	DA67-00638C		A-TOP,SILICON,VICTORY-GRAY,SC-01645R	1	RSJ1K1F1PS	
	DA67-00638M		NEXT-PJT, HOME-BAR,SILICON,STAINLESS-PLATINUM,SC-03172R	1	RSJ1K1F1MHRS	
6-2	DA66-00205A	SHAFT-DMAPER HOMBAR	STS304,48.4,??,	1		SA
6-3	DA97-03956D	ASSY-DAMPER HOME BAR	HERMES,EXPORT,10TORQUE	1		SA
	DA67-01676A		HERME-PJT,ABS,T2.5,SNOW-WHITE(SC-97527R)	1	RSJ1K1F1SV	

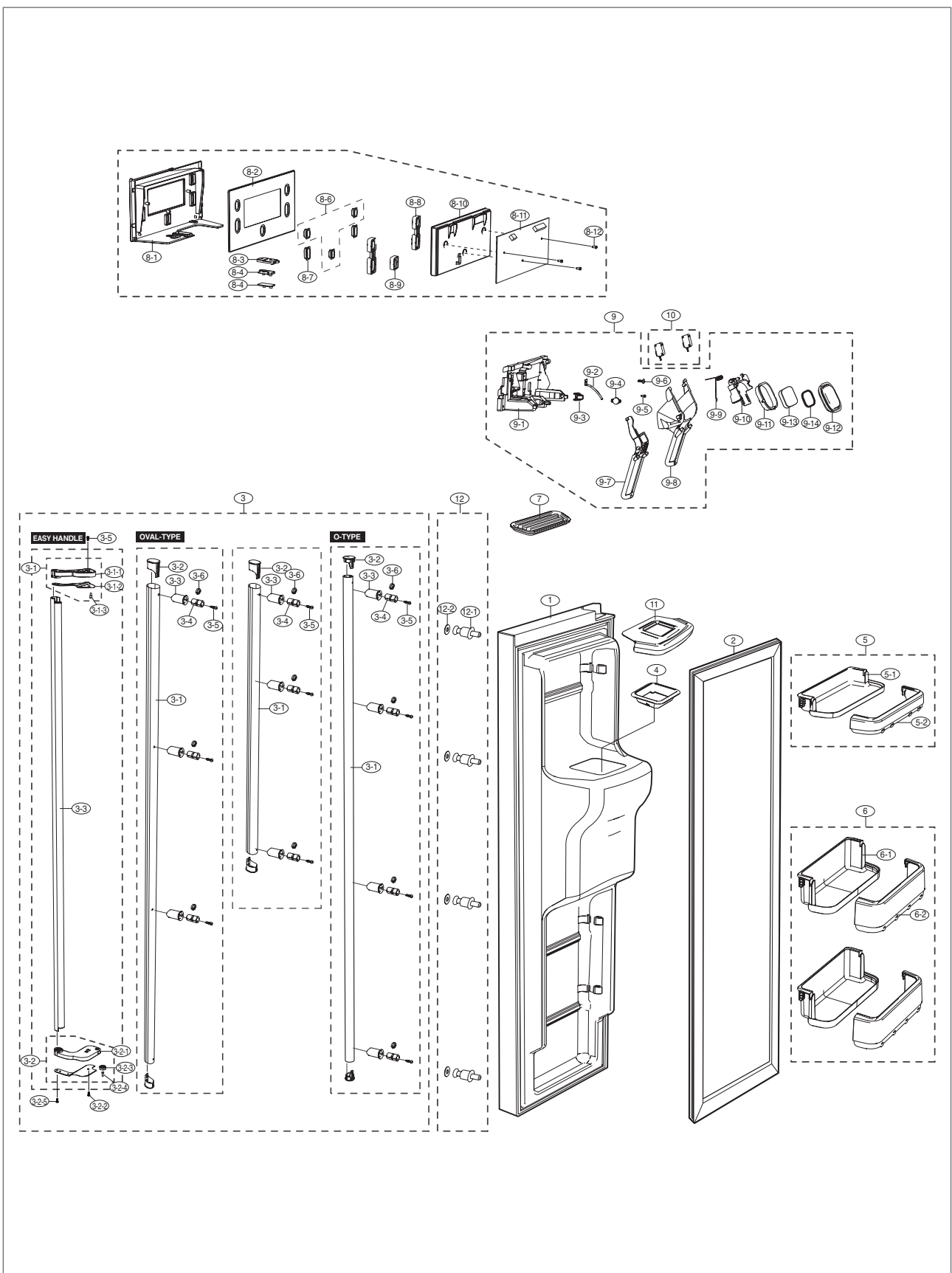
## EXPLODED VIEW & PART LIST

### ■ Parts List of Fridge Door(RSJ1)

NO	CODE-NO	PART NAME	Spec	Quantity	Remark	SA/SNA
6-4	DA67-01676B	CAP-OIL DAMPER	HERME-PJT,ABS,T2.5,I-BLACK(SC-00477R)	1	RSJ1KFBP	SA
	DA67-01676C		HERME-PJT,ABS,T2.5,TITAN GRAY(SC-03186R)	1	RSJ1KFPS	
	DA67-01676D		HERME-PJT,ABS,T2.5,MANHATTAN SILVER(SC-06036R)	1	RSJ1KFMH	
	DA67-01676E		HERME-PJT,ABS,T2.5,Versailles STS(SC-04084R)	1	RSJ1KFRS	
6-5	6002-000213	SCREW-TAPPING	TH,M4,L12,ZPC(WHT)	2		SA
7	DA97-05083B	ASSY-LATCH	HERME-PJT,POM, BLK	1	RSJ1KFB	SA
8	DA97-04972A	ASSY GUARD REF-TOP	HERMES PJT,JM	1		SA
8-1	DA63-03562A	GUARD REF-TOP	HIPS	1		SA
8-2	DA63-03560A	COVER-GUARD REF TOP	HIPS	1		SA
9	DA97-04973B	ASSY GUARD-REF MID	HERMES PJT,JM	1		SA
9-1	DA63-03538A	GUARD REF-MID	HIPS	1		SA
9-2	DA63-03561A	COVER-GUARD REF MID	HIPS	1		SA
9-3	DA61-03604A	GUIDE-BOTTLE	STS304,@™5.5	1		SA
10	DA97-04974A	ASSY GUARD REF-LOW	HERMES PJT,JM	1		SA
10-1	DA63-03564A	GUARD REF-LOW	HIPS	1		SA
10-2	DA63-03565A	COVER-GUARD REF LOW	HIPS	1		SA
11	DA97-05022C	ASSY CASE-DAIRY	HERMES PJT,COOL WHITE,JM	1		SA
11-1	DA67-01680B	CAP-MAGNET DAIRY CASE	JM,HIPS,T2.0,COOL WHITE	1		SA
11-2	DA67-01681A	CAP-PLATE DAIRY CASE	JM,ABST2.0,TRANSPARENCE	1		SA
11-3	DA67-01679B	CAP-SHAFT DAIRY CASE	HIPS	2		SA
11-4	DA63-03611A	COVER-DAIRY CASE	JM,ABST2.5,TRANSPARENCE,JM	1		SA
11-5	3302-001333	MAGNET-RARE EARTH	AG	1		SNA
11-6	DA61-03420A	PLATE-DAIRY CASE	HERMES PJT,STS430,T0.6,W5,L40	1		SA
11-7	DA61-03410B	CASE-DAIRY	HERMES PJT,ABS,T2.5,COOL WHITE(SC02740R),JM	1		SA
12	DA64-02139A	TRIM-CASE BRACKET OUT	PP,335.4,COOL-WHITE(SC-02740R),JM-DOOR	1		SA
13	DA97-05529A	ASSY-BRACKET HANDLE	HERMES, SWRC10A	4		SA
13-1	DA61-03725A	BRACKET-HANDLE	HERMES,SWRC10A,FH, MR, L10.5,	4		SA
13-2	DA63-03840A	GROMMET-HANDLE	HERMES,SILICON,T1,NTR,DISP, 40°	4		SA

# EXPLODED VIEW & PART LIST

## 5-6) Freezer Door (RSH1/H3)



## EXPLODED VIEW & PART LIST

### ■ Parts List of Freezer Door (RSH1/H3)

1	DA91-02528A	ASSY-DOOR FOAM FRE	HERMES,55mm,SW,EASY	1	RSH1	SNA
	DA91-02569A		HERMES,85mm,SW,B,T TYPE HANDLE	1	RSH3	SNA
2	DA97-04567C	ASSY-GASKET DOOR FRE	SF-PVC,332X1	1		SA
3	<b>EASY HANDLE</b>				RSH1"E"	
3-1	DA97-05173A	ASSY-CAP-HANDLE-FRE-UPP	HERMES, SNOW WHITE	1	RSH1"ESW	SA
	DA97-05173B		HERMES, I-BLACK	1	RSH1"EBP	
	DA97-05173C		HERMES, TITAN GRAY	1	RSH1"EPE	
	DA97-05173D		HERMES, MANHATTAN SILVER	1	RSH1"EMH	
	DA97-05173E		HERMES, NOBLE STS	1	RSH1"ERS	
	DA97-05173F		HERMES, INOX	1	RSH1"ES	
3-1-1	DA67-01684A	CAP-HANDLE-FRE-UPP	JM,PC-ABS,WHITE	1	RSH1"ESW	SNA
	DA67-01684B		JM,PC-ABS,I-BLACK	1	RSH1"EBP	
	DA67-01684C		JM,PC-ABS,TITAN GRAY,PLATINUM-SILVER(SC-05010S)	1	RSH1"EPE	
	DA67-01684D		JM,PC-ABS,MANHATTAN SILVER,MANHATTAN SILVER(SC-06036S)	1	RSH1"EMH	
	DA67-01684E		JM,PC-ABS,NOBLE STS,VERSAILLES STS(SC-05061S)	1	RSH1"ERS	
	DA67-01684F		JM,PC-ABS,INOX	4	RSH1"ES	
3-1-2	DA61-03407A	REINF-HANDLE-FRE-UPP	SHP1,T2.0,ZPC3-W	2	RSH1"E"	SA
3-1-3	6006-001170	SCREW-TAPPING	TH,M4,L12,ZPC(WHT)	1		SA
3-2	DA97-05175A	ASSY-CAP-HANDLE-FRE-LOW	HERMES, SNOW WHITE	1	RSH1"ESW	SA
	DA97-05175B		HERMES, I-BLACK	2	RSH1"EBP	
	DA97-05175C		HERMES, TITAN GRAY	4	RSH1"EPE	
	DA97-05175D		HERMES, MANHATTAN SILVER	4	RSH1"EMH	
	DA97-05175E		HERMES, NOBLE STS	1	RSH1"ERS	
	DA97-05175F		HERMES, INOX	1	RSH1"ES	
3-2-1	DA67-01685A	CAP-HANDLE-FRE-LOW	JM,PC-ABS,WHITE	2	RSH1"ESW	SNA
	DA67-01685B		JM,PC-ABS,I-BLACK	1	RSH1"EBP	
	DA67-01685C		JM,PC-ABS,TITAN GRAY,PLATINUM-SILVER(SC-05010S)	4	RSH1"EPE	
	DA67-01685D		JM,PC-ABS,MANHATTAN SILVER,MANHATTAN SILVER(SC-06036S)	4	RSH1"EMH	
	DA67-01685E		JM,PC-ABS,NOBLE STS,VERSAILLES STS(SC-05061S)	1	RSH1"ERS	
	DA67-01685F		JM,PC-ABS,INOX	1	RSH1"ES	
3-2-2	6006-001170	SCREW TAPPING	TH,M4,L12,ZPC(WHT)	1		SA
3-2-3	DA66-00448A	ROLLER LEVER LINK,A	CULLINAN,POM,NEO-VICTORY GRAY(SC-02684R),EASY-OPEN	1	RSH1"E"	SNA
3-2-4	DA81-01304A	PIN ROLLER EASY	SCP1	2	RSH1"E"	SNA
3-2-5	DA61-03408A	REINF-HANDLE-FRE-LOW	SHP1,T2.0,ZPC3-W	1	RSH1"E"	SA
3-3	DA64-02142A	HANDLE-BAR	JM,GRAY,SPRAY(VICTORY SILVER : SC-016459)	1	RSH1"EPE	SA
	DA64-02142B		JM,AL(A6063),SC-07018T(BALLENTINE BLACK)	1	RSH1"EBP	
	DA64-02142C		JM,AL(A6063),SC-05016T(SNOW WHITE)	1	RSH1"ESW	
	DA64-02142E		JM,AL(A6063),SC-06034T(INOX)	1	RSH1"EMHRSIS	
3-4	6002-001227	SCREW-TAPPING	TH,+,-,1,M4,L25,ZPC(WHT),SWRCH18A	1	RSH1"E	SA
3-5	6001-000715	SCREW-MACHINE	TH,M5,L16,ZPC(WHT),SWRCH18A	1	RSH1"E	SA
<b>O TYPE HANDLE</b>				1	RSH1H3"B"	
3	DA97-05076G	ASSY-HANDLE BAR FRE	HERMES,AL(A6063),L1637,CIRCLES,SNOW WHITE,ONE TOUCH	1	RSH1H3"BSW	SA
	DA97-05076H		HERMES,AL(A6063),L1637,CIRCLES,I-BLACK,ONE TOUCH	1	RSH1H3"BBP	
	DA97-05076J		HERMES,AL(A6063),L1637,CIRCLES,PLATINUM-SILVER,ONE TOUCH	1	RSH1H3"BPE	
	DA97-05076K		HERMES,AL(A6063),L1637,CIRCLES,MANHATTAN SILVER,ONE TOUCH	1	RSH1H3"BMH	
	DA97-05076L		HERMES,AL(A6063),L1637,CIRCLES,VERSAILLES STS,ONE TOUCH	1	RSH1H3"BRS	
	DA97-05076M		HERMES,AL(A6063),L1637,CIRCLES,INOX,ONE TOUCH	1	RSH1H3"BS	
3-1	DA64-02151A	HANDLE-BAR(O TYPE HANDLE)	HERMES,AL(A6063),CIRCLES,HAIRLINE,LONG	1	RSH1H3"BSW	SA
	DA64-02151B		HERMES,AL(A6063),1633,SC-07018T(Ballentine Black),CIRCLES,HAIRLINE,LONG	1	RSH1H3"BBP	
	DA64-02151C		HERMES,AL(A6063),1633,SC-06147T(Natural Silver),CIRCLES,HAIRLINE,LONG	1	RSH1H3"BPE	
	DA64-02151E		HERMES,AL(A6063),1633,SC-06034T(INOX),CIRCLES,HAIRLINE,LONG	1	RSH1H3"BMH/RSIS	

## EXPLODED VIEW & PART LIST

### ■ Parts List of Freezer Door (RSH1/H3)

NO	CODE-NO	PART NAME	Spec	Quantity	Remark	SA/SNA
3-2	DA67-01452B	CAP-HANDLE SIDE	CORE-PJT,ABS,SILVER	1	RSH1/H3'B	SA
3-3	DA67-01810A	CAP-SUPPORT HANDLE	HERMES, SNOW WHITE	1	RSH1/H3'BSW	SA
	DA67-01810B		HERMES, I-BLACK	4	RSH1/H3'BBP	
	DA67-01810C		HERMES, PLATINUM SILVER	4	RSH1/H3'BPE	
	DA67-01810D		HERMES, MANHATTAN SILVER	4	RSH1/H3'BMH/RSIS	
3-4	DA61-03726A	SUPPORT-HANDLE	HERMES,NY66,NTR	4		SA
3-5	6009-001512	SCREW-SPECIAL	BH,+,-,M4,L16,ZPC(WHT),SWRCH18A	4		SA
3-6	DA61-03636A	STOPPER-HANDLE	CULLINAN,SK5	4		SA
<b>OVAL TYPE</b>					<b>RSH1/H3'T**</b>	
3	DA97-05074G	ASSY-HANDLE BAR FRE	HERMES,AL(A6063), L1638, ELLIPSE,SNOW WHITE,ONE TOUCH	1	RSH1/H3'BSW	SA
	DA97-05074H		HERMES,AL(A6063), L1638, ELLIPSE,I-BLACK,ONE TOUCH	1	RSH1/H3'BBP	
	DA97-05074J		HERMES,AL(A6063), L1638, ELLIPSE,PLATINUM-SILVER,ONE TOUCH	1	RSH1/H3'BPE	
	DA97-05074K		HERMES,AL(A6063), L1638, ELLIPSE,MANHATTAN SILVER,ONE TOUCH	1	RSH1/H3'BMH	
	DA97-05074L		HERMES,AL(A6063), L1638, ELLIPSE,VERSAILLES STS,ONE TOUCH	1	RSH1/H3'BR	
	DA97-05074M		HERMES,AL(A6063), L1638, ELLIPSE,INOX,ONE TOUCH	1	RSH1/H3'BS	
3-1	DA64-02162A	HANDLE-BAR(OVAL TYPE HANDLE)	HERMES,AL(A6063), 1632,ELLIPSE, HAIRLINE	1	RSH1/H3'BSW	SA
	DA64-02162B		HERMES,AL(A6063), 1633,SC-07018T(Ballentine Black),ELLIPSE, HAIRLINE	1	RSH1/H3'BBP	
	DA64-02162C		HERMES,AL(A6063), 1633,SC-06147T(Natural Silver),ELLIPSE, HAIRLINE	1	RSH1/H3'BPE	
	DA64-02162E		HERMES,AL(A6063), 1633,SC-06034T(INOX),ELLIPSE, HAIRLINE	1	RSH1/H3'BMH/RSIS	
3-2	DA67-01577D	CAP-HANDLE	CULLINAN,ABS(MP-0160),NTR,BRILLANT SILVER	2	RSH1/H3'T**	SA
3-3	DA67-01501E	CAP-SUPPORT HANDLE	HERMES, SNOW WHITE	4	RSH1/H3'BSW	SA
	DA67-01501F		HERMES, I-BLACK	4	RSH1/H3'BBP	
	DA67-01501G		HERMES, PLATINUM SILVER	4	RSH1/H3'BPE	
	DA67-01501H		HERMES, MANHATTAN SILVER	4	RSH1/H3'BMH/RSIS	
3-4	DA61-03726A	SUPPORT-HANDLE	HERMES,NY66,NTR	4		SA
3-5	6009-001512	SCREW-SPECIAL	BH,+,-,M4,L16,ZPC(WHT),SWRCH18A	4		SA
3-6	DA61-03636A	STOPPER-HANDLE	CULLINAN,SK5	4		SA
<b>SHORT-TYPE</b>					<b>RSH1/H3'H**</b>	
3	DA97-05347G	ASSY-HANDLE BAR	HERMES,ABS, L928.5, ELLIPSE,SNOW WHITE,ONE TOUCH	1	RSH1/H3'BSW	SA
	DA97-05347H		HERMES,ABS, L928.5, ELLIPSE,I-BLACK,ONE TOUCH	1	RSH1/H3'BBP	
	DA97-05347J		HERMES,ABS, L928.5, ELLIPSE,PLATINUM-SILVER,ONE TOUCH	1	RSH1/H3'BPE	
	DA97-05347K		HERMES,ABS, L928.5, ELLIPSE,MANHATTAN SILVER,ONE TOUCH	1	RSH1/H3'BMH	
	DA97-05347L		HERMES,ABS, L928.5, ELLIPSE,VERSAILLES STS,ONE TOUCH	1	RSH1/H3'BR	
	DA97-05347M		HERMES,ABS, L928.5, ELLIPSE,INOX,ONE TOUCH	1	RSH1/H3'BS	
3-1	DA64-02234A	HANDLE-BAR(SHORT TYPE HANDLE)	HERMES,ABS,923.5,ELLIPSE	1	RSH1/H3'BSW	SA
	DA64-02234B		HERMES-PJT,ABS,I-BLACK(SC-00477R)	1	RSH1/H3'BBP	
	DA64-02234C		HERMES-PJT,ABS,TITAN GRAY(SC-03186R)	1	RSH1/H3'BPE	
	DA64-02234F		HERMES-PJT,ABS,INOX(SC-06034R)	1	RSH1/H3'BMH/RSIS	
3-2	DA67-01577D	CAP-HANDLE	CULLINAN,ABS(MP-0160),NTR,BRILLANT SILVER	2	RSH1/H3'T**	SA
3-3	DA67-01501E	CAP-SUPPORT HANDLE	HERMES, SNOW WHITE	4	RSH1/H3'BSW	SA
	DA67-01501F		HERMES, I-BLACK	4	RSH1/H3'BBP	
	DA67-01501G		HERMES, PLATINUM SILVER	4	RSH1/H3'BPE	
	DA67-01501H		HERMES, MANHATTAN SILVER	4	RSH1/H3'BMH/RSIS	
3-4	DA61-03726A	SUPPORT-HANDLE	HERMES,NY66,NTR	4		SA
3-5	6009-001512	SCREW-SPECIAL	BH,+,-,M4,L16,ZPC(WHT),SWRCH18A	4		SA
3-6	DA61-03636A	STOPPER-HANDLE	CULLINAN,SK5	4		SA
4	DA67-01667A	CAP-CHUTE ICE	HERMES,ABS,T1.8,SC-02740R(COOL-WHITE),DISP, 85mm	1	RSH1KJFD	SA
	DA67-01668A		HERMES,ABS,T1.8,SC-02740R(COOL-WHITE),DISP, 85mm	1	RSH3KJFD	SA
5	DA97-04967B	ASSY GUARD FRE-TOP	2 PIECE TYPE(GPPS+HIPS)	1	RSH1KJ	SA
	DA97-05090A		HERMES PJT,HERMES, 85mm	1	RSH3	SA
5-1	DA63-03541B	GUARD-FRE TOP	HERMES PJT,ABS,T2.5,COOL WHITE(SC02740R),HERMES,55mm	1	RSH1KJ	SA
	DA63-03642A		HERMES PJT,PP,COOL WHITE,1PIECE	1	RSH1FDBN	



## EXPLODED VIEW & PART LIST

### ■ Parts List of Freezer Door (RSH1/H3)

NO	CODE-NO	PART NAME	Spec	Quantity	Remark	SA/SNA
	DA63-03651A		HERMES PJT,HERMES_85mm		RSH3	SA
5-2	DA63-03542A	COVER-GUARD FRE TOP	HERMES PJT,GPPS/HF2660S,T3.0,TRANSPARENCY,HERMES,55mm	1	RSH1K/J	SA
	DA63-03652A		HERMES PJT,GPPS,T3.0,TRANSPARENCY,HERMES_85mm		RSH3	SA
6	DA97-04968B	ASSY GUARD FRE-LOW	2 PIECE TYPE(GPPS+HIPS)	2	RSH1K/J	SA
	DA97-05091A		HERMES PJT,HERMES_85mm		RSH3	SA
6-1	DA63-03554B	GUARD FRE-LOW	HERMES PJT,ABS,T2.5,COOL WHITE(SC02740R),HERMES,55mm	2	RSH1K/J	SA
	DA63-03643A		HERMES PJT,PP,COOL WHITE,1PIECE	2	RSH1F/DBN	SA
	DA63-03654A		HERMES PJT,HERMES_85mm		RSH1F/DBN	SA
6-2	DA63-03553A	COVER-GUARD FRE LOW	HERMES PJT,GPPS/HF2660S,T3.0,TRANSPARENCY,HERMES,55mm	2	RSH1K/J	SA
	DA63-03653A		HERMES PJT,GPPS,T3.0,TRANSPARENCY,HERMES_85mm		RSH3	SA
7	DA63-03580A	TRAY DISPENSER	HERMES,ABS,T2.5,SC-97527R(SNOW-WHITE),DISP	1	RSH**SW	SA
	DA63-03580B		HERMES,ABS,T2.5,SC-00477R(I-BLACK),DISP	1	RSH**BP	
	DA63-03580C		HERMES,ABS,T2.5,SC-05010S(PLATINUM-SILVER),DISP	1	RSH**PE	
	DA63-03580D		HERMES,ABS,T2.5,SC-06036S(MANHATTAN SILVER),DISP	1	RSH**MH	
	DA63-03580E		HERMES,ABS,T2.5,SC-05061S(VERSAILLES STS),DISP	1	RSH**RS	
	DA63-03580F		HERMES,ABS,T2.5,SC-07019S(INOX),DISP	1	RSH**IS	
8	DA97-05023A	ASSY-COVER DISPENSER	HERMES-PJT,SNOW-WHITE,VACATION	1	RSH1K/JH3K* SW	SA
	DA97-05023B		HERMES-PJT,SC-00477R(I-BLACK),VACATION	1	RSH1K/JH3K* P/PE/MH/RS/IS	
	DA97-05023C		HERMES-PJT,SC-97527R(SNOW WHITE),VACATION	1	RSH1H3F/D* SW	
	DA97-05023D		HERMES-PJT,SC-00477R(I-BLACK),VACATION	1	RSH1H3F/D* BP/PE/MH/RS/IS	
	DA97-05023E		HERMES-PJT,SNOW-WHITE,POWER COOL		RSH1K/JH3K* SW	
	DA97-05023F		HERMES-PJT,SC-00477R(I-BLACK),POWER COOL		RSH1K/JH3K* BP/PE/MH/RS/IS	
	DA97-05023G		HERMES-PJT,SC-97527R(SNOW WHITE),POWER COOL		RSH1H3F/D* SW	
	DA97-05023H		HERMES-PJT,SC-00477R(I-BLACK),POWER COOL		RSH1H3F/D* BP/PE/MH/RS/IS	
	DA97-05023J		HERMES-PJT,SC-97527R(SNOW WHITE),CHINA		RSH1Z* SW	
	DA97-05023K		HERMES-PJT,SC-00477R(I-BLACK),CHINA		RSH1V/S* BP/PE/MH/RS/IS	
	8-1		DA63-03581A	COVER-DISPENSER	HERMES,ABS,T2.0,SC-97527R(SNOW-WHITE),DISP	
DA63-03581B		HERMES,ABS,T2.0,SC-00477R(I-BLACK)	1		RSH** BP/PE/MH/RS/IS	
8-2	DA63-03573A	COVER-CONTROL,WINDOW FRE(DISP)	HERMES,ACRYL,T2.0,CRYSTAL,DISP,VACATION	1	RSH1K/JH3K* SW	SA
	DA63-03573B		HERMES,ACRYL,T2.0,SC-06151R(SMOG),VACATION	1	RSH1K/JH3K* BP/PE/MH/RS/IS	
	DA63-03573C		HERMES,ACRYL,T2.0,CRYSTAL,DISP,VACATION	1	RSH1H3F/D* SW	
	DA63-03573D		HERMES,ACRYL,T2.0,SC-06151R(SMOG),VACATION	1	RSH1H3F/D* BP/PE/MH/RS/IS	
	DA63-03573F		HERMES,ACRYL,T2.0,CRYSTAL,DISP,POWER COOL	1	RSH1K/JH3K* SW	
	DA63-03573G		HERMES,ACRYL,T2.0,SC-06151R(SMOG),POWER COOL	1	RSH1K/JH3K* BP/PE/MH/RS/IS	
	DA63-03573H		HERMES,ACRYL,T2.0,CRYSTAL,DISP,POWER COOL	1	RSH1H3F/D* SW	
	DA63-03573J		HERMES,ACRYL,T2.0,SC-06151R(SMOG),POWER COOL	1	RSH1H3F/D* BP/PE/MH/RS/IS	
	DA63-03573K		HERMES,ACRYL,T2.0,CRYSTAL,DISP,CHINA	1	RSH1Z* SW	
	DA63-03573L		HERMES,ACRYL,T2.0,SC-06151R(SMOG),CHINA	1	RSH1V/S* BP/PE/MH/RS/IS	
	8-3		DA67-01012A	CAP-LAMP,PCB	AD,ABS,T1.8,SC-97527R	
8-4	DA41-00217B	ASS'Y-LAMP,PBA(NEXT)	E-PEL,DOOR FRE,FR-1,31*17,DISPENSER LAMP,12V,60HZ	1		SNA
8-5	DA63-02101A	GASKET-LAMP,PCB	AD,SILICON,T0.5,NTR,DISP	1		SNA
8-6	DA64-02127C	BUTTON-CONTROL A	HERMES,ABS,SC-04120S(EMPIRE SILVER PLUS),DISP	2	RSH1H3* SW	SA
	DA64-02127B		HERMES,ABS,SC-07010R(HERMES H SMOG),DISP	2	RSH1H3* BP/PE/MH/RS/IS	
8-7	DA64-02128C	BUTTON-CONTROL B	HERMES,ABS,(SC-04120S)EMPIRE SILVER PLUS,DISP	3	RSH1H3* SW	SA
	DA64-02128B		HERMES,ABS,SC-07010R(HERMES H SMOG),DISP	3	RSH1H3* BP/PE/MH/RS/IS	
8-8	DA63-03584A	GROMMET-BUTTON CONTROL A	HERMES,SILICON,T1.5,BLACK,DISP,40°	2		SA
8-9	DA63-03585A	GROMMET-BUTTON CONTROL B	HERMES,SILICON,T1.5,BLACK,DISP,40°	1		SA
8-10	DA63-03576A	COVER-PBA PANEL	HERMES,PP,T1.8,WHITE,DISP	1		SA
8-11	DA41-00455C	PBA DISPLAY-LED PANEL PBA	HERMES-PJT,R-DOOR,FR-4,200*86.0*11.6,Dispenser+CooZone,Vacation,C,Inlay Color,Silver,12V,5V,50Hz	1	RSH1K/JH3K* SW	SA
	DA41-00455A		HERMES-PJT,Europe,FR-4,200*86.0*11.6,Dispenser,C,room,Vacation,C,12V,5V,50Hz	1	RSH1K/JH3K* BP/PE/MH/RS/IS	
	DA41-00455D		HERMES-PJT,R-DOOR,FR-4,200*88.0*11.6,Dispenser,Vacation,C,Inlay Color,Silver,12V,5V,50Hz	1	RSH1H3F/D* SW	

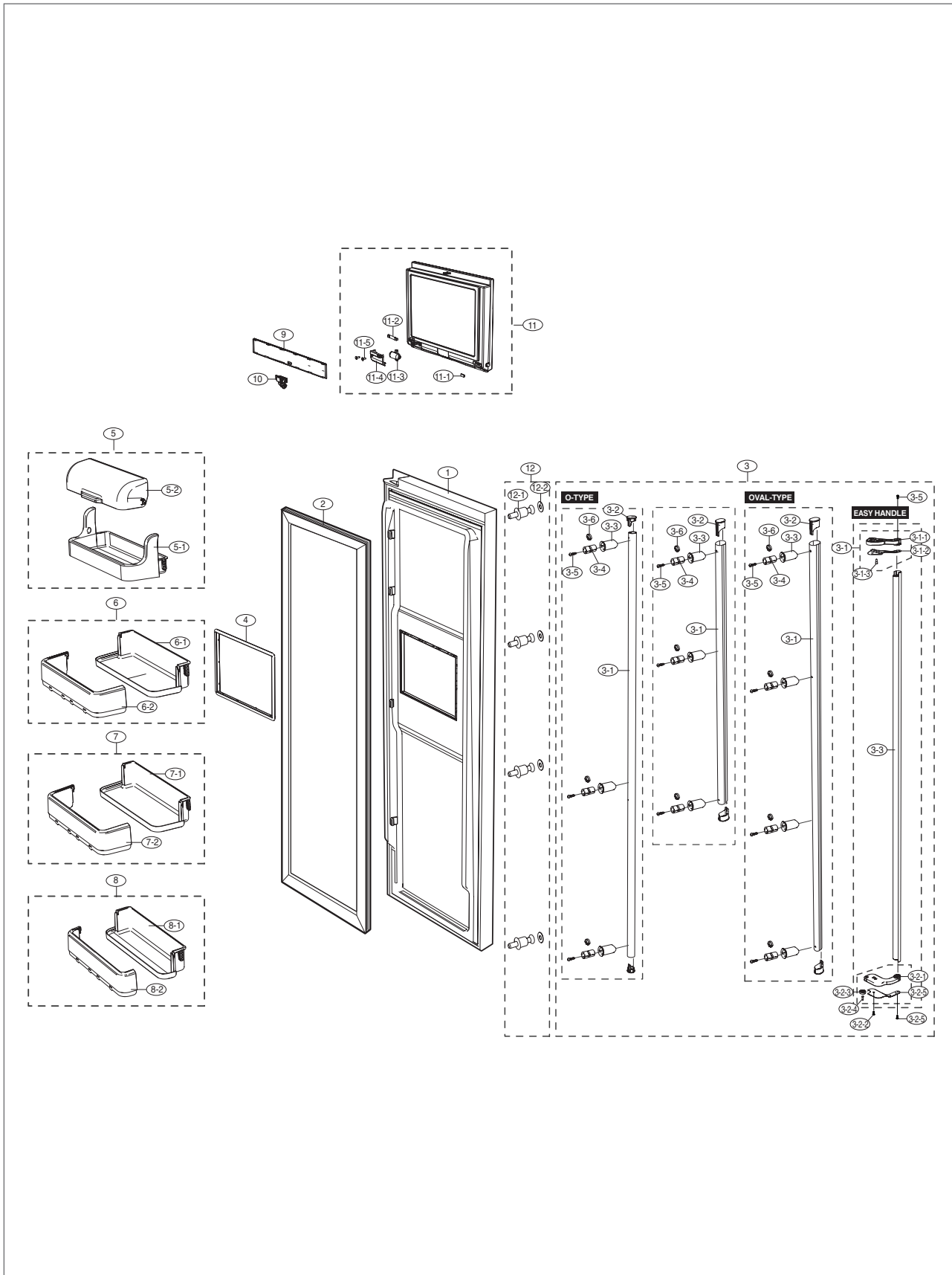
## EXPLODED VIEW & PART LIST

### ■ Parts List of Freezer Door (RSH1/H3)

NO	CODE-NO	PART NAME	Spec	Quantity	Remark	SA/SNA
	DA41-00455B		HERMES-PJT,Europe,FR-4,200*86.0*11.6,Dispenser, Vacation, °C,12V, 5V,50Hz	1	RSH1/H3FD/BPP EMHRSIS	
8-12	6002-000630	SCREW-TAPPING	PH,+,-,2S,M3,L8,ZPC(WHT),SWRCH18A	2		SA
9	DA97-04950E	ASSY-COVER PCB PANEL REAR	HERMES,ABS,SNOW-WHITE	1	RSH1K/UH3K	SA
	DA97-02050L		A-TOP 06,EXP(BBY06),I-BLACK	1	RSH1/H3FD	
9-1	DA63-02460B	COVER-PCB PANEL,REAR	USP 05,ABS,I-BLACK,SCRAP	1	RSH1K/UH3K	SA
	DA63-03259A		A-TOP 06,ABS(HG-0760H),EXP,I-BLACK	1	RSH1/H3FD	
9-2	DA61-01616A	SPRING-LEVER DISP WATER	SK5, T0.5	2		SA
9-3	DA61-01868A	BRACKET-OIL DAMPER	ABS,SC-93437	4		SA
9-4	DA61-01869A	DAMPER-OIL	POM,120g/Cm,OD15	4		SA
9-5	6002-000630	SCREW-TAPPING	PH,+,-,2S,M3,L8,ZPC(YEL)	1		SA
9-6	6002-000473	SCREW-TAPPING	TH,+,-,M4,L14,PASS,STS304	1		SA
9-7	DA66-00454A	LEVER DISPENSER-WATER	JM,PC,T2.5,CRYSTAL,DISP	1	RSH1K/UH3K	SNA
	DA66-00267A		AD,ABS,T2.5,CRYSTAL	1	RSH1/H3FD	
9-8	DA66-00453A	LEVER DISPENSER-ICE	JM,PC,T2.5,CRYSTAL,DISP	1	RSH1K/UH3K	SNA
	DA66-00294A		AD,ABS,CRYSTAL	1	RSH1/H3FD	
9-9	DA61-01651A	SPRING-COVER ICE ROUTE	AD,STS304,1.0,6.6	4		SA
9-10	DA63-01970A	COVER-ICE ROUTE A	ABS,T2.5,BL	1		SNA
9-11	DA63-01971A	COVER-ICE ROUTE B	ABS,T1.8,BL	1		SNA
9-12	DA63-03375A	GASKET-COVER ICE ROUTE	A-TOP,AD,ET,SEBS,DISP,BLACK	1		SNA
9-13	DA62-00058E	SEAL-COVER ICE,ROUTE	FOAM-LEX,WHITE	1		SNA
9-14	DA62-00058F	SEAL-COVER ICE,ROUTE	FOAM-LEX,WHITE	1		SNA
10	DA34-00011A	SWITCH-MICRO	VP533A-OF-5,MICRO,250V,15A,	1		SA
11	DA63-03729B	GUARD-FRE SUB	HERMES,ABS,T2.0	1		SA
12	DA97-05529A	ASSY-BRACKET HANDLE	HERMES, SWRC10A	4		SA
12-1	DA61-03725A	BRACKET-HANDLE	HERMES,SWRC10A,FH, MR, L10.5,	4		SA
12-2	DA63-03840A	GROMMET-HANDLE	HERMES,SILICON,T1,NTR,DISP, 40°	4		SA

# EXPLODED VIEW & PART LIST

## 5-7) Fridge Door (RSH1/H3)



## EXPLODED VIEW & PART LIST

### ■ Parts List of Fridge Door (RSH1/H3)

NO	CODE-NO	PART NAME	Spec	Quantity	Remark	SA/SNA
1	DA91-02525A	ASSY DOOR FOAM REF	HERMES,EASY,55mm,SW	1	RSH1	SNA
	DA91-02566A		HERMES,SW,B,T,H/B,85mm	1	RSH3	SNA
2	DA97-04567D	ASSY-GASKET DOOR REF	SF-PVC,478X1	1		SA
3	<b>EASY HANDLE</b>			1	RSH1"E"	
3-1	DA97-05174A	ASSY-CAP-HANDLE-REF-UPP	HERMES, SNOW WHITE	1	RSH1"ESW	SA
	DA97-05174B		HERMES, I-BLACK	1	RSH1"EBP	
	DA97-05174C		HERMES, TITAN GRAY	1	RSH1"EPE	
	DA97-05174D		HERMES, MANHATTAN SILVER	1	RSH1"EMH	
	DA97-05174E		HERMES, NOBLE STS	1	RSH1"ERS	
	DA97-05174F		HERMES, INOX	1	RSH1"EIS	
3-1-1	DA67-01682A	CAP-HANDLE-REF-UPP	JM,PC-ABS,WHITE	1	RSH1"ESW	SNA
	DA67-01682B		JM,PC-ABS,I-BLACK	2	RSH1"EBP	
	DA67-01682C		JM,PC-ABS,TITAN GRAY,PLATINUM-SILVER(SC-05010S)	1	RSH1"EPE	
	DA67-01682D		JM,PC-ABS,MANHATTAN SILVER,MANHATTAN SILVER(SC-06036S)	1	RSH1"EMH	
	DA67-01682E		JM,PC-ABS,NOBLE STS,VERSAILLES STS(SC-05061S)	1	RSH1"ERS	
	DA67-01682F		JM,PC-ABS,INOX	1	RSH1"EIS	
3-1-2	DA61-03405A	REINF-HANDLE-REF-UPP	SHP1,T2.0,ZPC3-W	1	RSH1"E"	SA
3-1-3	6006-001170	SCREW-TAPPING	TH,M4,L12,ZPC(WHT)	1		SA
3-2	DA97-05176A	ASSY-CAP-HANDLE-REF-LOW	HERMES, SNOW WHITE	1	RSH1"ESW	SA
	DA97-05176B		HERMES, I-BLACK	1	RSH1"EBP	
	DA97-05176C		HERMES, TITAN GRAY	1	RSH1"EPE	
	DA97-05176D		HERMES, MANHATTAN SILVER	1	RSH1"EMH	
	DA97-05176E		HERMES, NOBLE STS	1	RSH1"ERS	
	DA97-05176F		HERMES, INOX	1	RSH1"EIS	
3-2-1	DA67-01683A	CAP-HANDLE-REF-LOW	JM,PC-ABS,WHITE	1	RSH1"ESW	SA
	DA67-01683B		JM,PC-ABS,I-BLACK	1	RSH1"EBP	
	DA67-01683C		JM,PC-ABS,TITAN GRAY,PLATINUM-SILVER(SC-05010S)	1	RSH1"EPE	
	DA67-01683D		JM,PC-ABS,MANHATTAN SILVER,MANHATTAN SILVER(SC-06036S)	1	RSH1"EMH	
	DA67-01683E		JM,PC-ABS,NOBLE STS,VERSAILLES STS(SC-05061S)	1	RSH1"ERS	
	DA67-01683F		JM,PC-ABS,INOX	1	RSH1"EIS	
3-2-2	6006-001170	SCREW TAPPING	TH,M4,L12,ZPC(WHT)	1		SA
3-2-3	DA66-00448A	ROLLER LEVER LINK,A	CULLINAN,POM,NEO-VICTORY GRAY(SC-02684R),EASY-OPEN	1	RSH1"E"	SNA
3-2-4	DA81-01304A	PIN ROLLER EASY	SCP1	1	RSH1"E"	SNA
3-2-5	DA61-03406A	REINF-HANDLE-REF-LOW	SHP1,T2.0,ZPC3-W	1	RSH1"E"	SA
3-3	DA64-02142A	HANDLE-BAR	JM,GRAY,SPRAY(VICTORY SILVER : SC-016459)	1	RSH1"EPE	SA
	DA64-02142B		JM,AL(A6063),SC-07018T(BALLENTINE BLACK)	1	RSH1"EBP	
	DA64-02142C		JM,AL(A6063),SC-05016T(SNOW WHITE)	1	RSH1"ESW	
	DA64-02142E		JM,AL(A6063),SC-06034T(INOX)	1	RSH1"EMHIS	
3-4	6002-001227	SCREW-TAPPING	TH,+,-,1,M4,L25,ZPC(WHT),SWRCH18A	1	RSH1"E	SA
3-5	6001-000715	SCREW-MACHINE	TH,M5,L16,ZPC(WHT),SWRCH18A	1	RSH1"E	SA
<b>O TYPE HANDLE</b>				1	RSH1/H3"B"	
3	DA97-05075G	ASSY-HANDLE BAR REF	HERMES,AL(A6063),L1637,CIRCLES,SNOW WHITE,ONE TOUCH	1	RSH1/H3"BSW	SA
	DA97-05075H		HERMES,AL(A6063),L1637,CIRCLES,I-BLACK,ONE TOUCH	1	RSH1/H3"BBP	
	DA97-05075J		HERMES,AL(A6063),L1637,CIRCLES,PLATINUM-SILVER,ONE TOUCH	1	RSH1/H3"BPE	
	DA97-05075K		HERMES,AL(A6063),L1637,CIRCLES,MANHATTAN SILVER,ONE TOUCH	1	RSH1/H3"BMH	
	DA97-05075L		HERMES,AL(A6063),L1637,CIRCLES,VERSAILLES STS,ONE TOUCH	1	RSH1/H3"BRS	
	DA97-05075M		HERMES,AL(A6063),L1637,CIRCLES,INOX,ONE TOUCH	1	RSH1/H3"BS	
3-1	DA64-02151A	HANDLE-BAR(O TYPE HANDLE)	HERMES,AL(A6063),CIRCLES,HAIRLINE,LONG	1	RSH1/H3"BSW	SA
	DA64-02151B		HERMES,AL(A6063),1633,SC-07018T(Ballentine Black),CIRCLE	1	RSH1/H3"BBP	
	DA64-02151C		HERMES,AL(A6063),1633,SC-06147T(Natural Silver),CIRCLES,	1	RSH1/H3"BPE	
	DA64-02151E		HERMES,AL(A6063),1633,SC-06034T(INOX),CIRCLES,HAIRLINE,LONG	1	RSH1/H3"BMH/BSIS	
3-2	DA67-01452B	CAP-HANDLE SIDE	CORE-PJT,ABS,SILVER	1	RSH1/H3"B	SA

## EXPLODED VIEW & PART LIST

### ■ Parts List of Fridge Door (RSH1/H3)

NO	CODE-NO	PART NAME	Spec	Quantity	Remark	SA/SNA
3-3	DA67-01810A	CAP-SUPPORT HANDLE	HERMES, SNOW WHITE	1	RSH1/H3*BSW	SA
	DA67-01810B		HERMES, I-BLACK	4	RSH1/H3*BBP	
	DA67-01810C		HERMES, PLATINUM SILVER	4	RSH1/H3*BPE	
	DA67-01810D		HERMES, MANHATTAN SILVER	4	RSH1/H3*BMH /RSIS	
3-4	DA61-03726A	SUPPORT-HANDLE	HERMES,NY66,NTR	4		SA
3-5	6009-001512	SCREW-SPECIAL	BH,+,-,M4,L16,ZPC(WHT),SWRCH18A	4		SA
3-6	DA61-03636A	STOPPER-HANDLE	CULLINAN,SK5	4		SA
<b>OVAL TYPE</b>						
3	DA97-05073G	ASSY-HANDLE BAR REF	HERMES,AL(A6063), L1638, ELLIPSE,SNOW WHITE,ONE TOUCH	1	RSH1/H3*BSW	SA
	DA97-05073H		HERMES,AL(A6063), L1638, ELLIPSE,I-BLACK,ONE TOUCH	1	RSH1/H3*BBP	
	DA97-05073J		HERMES,AL(A6063), L1638, ELLIPSE,PLATINUM-SILVER,ONE TOUCH	1	RSH1/H3*BPE	
	DA97-05073K		HERMES,AL(A6063), L1638, ELLIPSE,MANHATTAN SILVER,ONE TOUCH	1	RSH1/H3*BMH	
	DA97-05073L		HERMES,AL(A6063), L1638, ELLIPSE,VERSAILLES STS,ONE TOUCH	1	RSH1/H3*BRS	
	DA97-05073M		HERMES,AL(A6063), L1638, ELLIPSE,INOX,ONE TOUCH	1	RSH1/H3*BIS	
3-1	DA64-02162A	HANDLE-BAR(OVAL TYPE HANDLE)	HERMES,AL(A6063),1632,ELLIPSE, HAIRLINE	1	RSH1/H3*BSW	SA
	DA64-02162B		HERMES,AL(A6063),1633,SC-07018T(Ballentine Black),ELLIPSE, HAIRLINE	1	RSH1/H3*BBP	
	DA64-02162C		HERMES,AL(A6063),1633,SC-06147T(Natural Silver),ELLIPSE, HAIRLINE	1	RSH1/H3*BPE	
3-2	DA64-02162E	CAP-HANDLE	HERMES,AL(A6063),1633,SC-06034T(INOX),ELLIPSE, HAIRLINE	1	RSH1/H3*BMH /RSIS	SA
	DA67-01577D		CULLINAN,ABS(MP-0160),NTR,BRILLANT SILVER	1	RSH1/H3*T**	
3-3	DA67-01501E	CAP-SUPPORT HANDLE	HERMES, SNOW WHITE	1	RSH1/H3*BSW	SA
	DA67-01501F		HERMES, I-BLACK	1	RSH1/H3*BBP	
	DA67-01501G		HERMES, PLATINUM SILVER	1	RSH1/H3*BPE	
	DA67-01501H		HERMES, MANHATTAN SILVER	1	RSH1/H3*BMH /RSIS	
3-4	DA61-03726A	SUPPORT-HANDLE	HERMES,NY66,NTR	4		SA
3-5	6009-001512	SCREW-SPECIAL	BH,+,-,M4,L16,ZPC(WHT),SWRCH18A	4		SA
3-6	DA61-03636A	STOPPER-HANDLE	CULLINAN,SK5	4		SA
<b>SHORT-TYPE</b>						
3	DA97-05347G	ASSY-HANDLE BAR	HERMES,ABS, L928.5, ELLIPSE,SNOW WHITE,ONE TOUCH	1	RSH1/H3*BSW	SA
	DA97-05347H		HERMES,ABS, L928.5, ELLIPSE,I-BLACK,ONE TOUCH	1	RSH1/H3*BBP	
	DA97-05347J		HERMES,ABS, L928.5, ELLIPSE,PLATINUM-SILVER,ONE TOUCH	1	RSH1/H3*BPE	
	DA97-05347K		HERMES,ABS, L928.5, ELLIPSE,MANHATTAN SILVER,ONE TOUCH	1	RSH1/H3*BMH	
	DA97-05347L		HERMES,ABS, L928.5, ELLIPSE,VERSAILLES STS,ONE TOUCH	1	RSH1/H3*BRS	
	DA97-05347M		HERMES,ABS, L928.5, ELLIPSE,INOX,ONE TOUCH	1	RSH1/H3*BIS	
3-1	DA64-02234A	HANDLE-BAR(SHORT TYPE HANDLE)	HERMES,ABS,923.5,ELLIPSE	1	RSH1/H3*BSW	SA
	DA64-02234B		HERMES-PJT,ABS,I-BLACK(SC-00477R)	1	RSH1/H3*BBP	
	DA64-02234C		HERMES-PJT,ABS,TITAN GRAY(SC-03186R)	1	RSH1/H3*BPE	
	DA64-02234F		HERMES-PJT,ABS,INOX(SC-06034R)	1	RSH1/H3*BMH /RSIS	
3-2	DA67-01577D	CAP-HANDLE	CULLINAN,ABS(MP-0160),NTR,BRILLANT SILVER	2	RSH1/H3*T**	SA
3-3	DA67-01501E	CAP-SUPPORT HANDLE	HERMES, SNOW WHITE	4	RSH1/H3*BSW	SA
	DA67-01501F		HERMES, I-BLACK	4	RSH1/H3*BBP	
	DA67-01501G		HERMES, PLATINUM SILVER	4	RSH1/H3*BPE	
	DA67-01501H		HERMES, MANHATTAN SILVER	4	RSH1/H3*BMH /RSIS	
3-4	DA61-03726A	SUPPORT-HANDLE	HERMES,NY66,NTR	4		SA
3-5	6009-001512	SCREW-SPECIAL	BH,+,-,M4,L16,ZPC(WHT),SWRCH18A	4		SA
3-6	DA61-03636A	STOPPER-HANDLE	CULLINAN,SK5	4		SA
4	DA64-02136A	TRIM-CASE BRACKET OUT	PP,310.8,COOL-WHITE,HM-DOOR	1	RSH1K/F/J/B,R SH3K/F	SA
5	DA97-04963B	ASSY GUARD-DAIRY	HERMES PJT,HERMES,55mm	1	RSH1	SA
	DA97-05086A		HERMES PJT,HERMES,85mm	1	RSH3	
5-1	DA63-03533B	GUARD-DAIRY	HERMES PJT,HIPS/HG-1760SF,T2.5,55mm	1		SA
	DA63-03644A		HERMES PJT,ABS,T2.5,COOL WHITE,HERMES_85MM	1		
5-2	DA63-03534A	COVER-GUARD DAIRY	HERMES PJT,GPPS/HF2660S,T2.5,TRANSPARENCE,HERMES,55mm	1		SA
	DA63-03645A		HERMES PJT,GPPS,T2.5,TRANSPARENCE,HERMES_85mm	1		

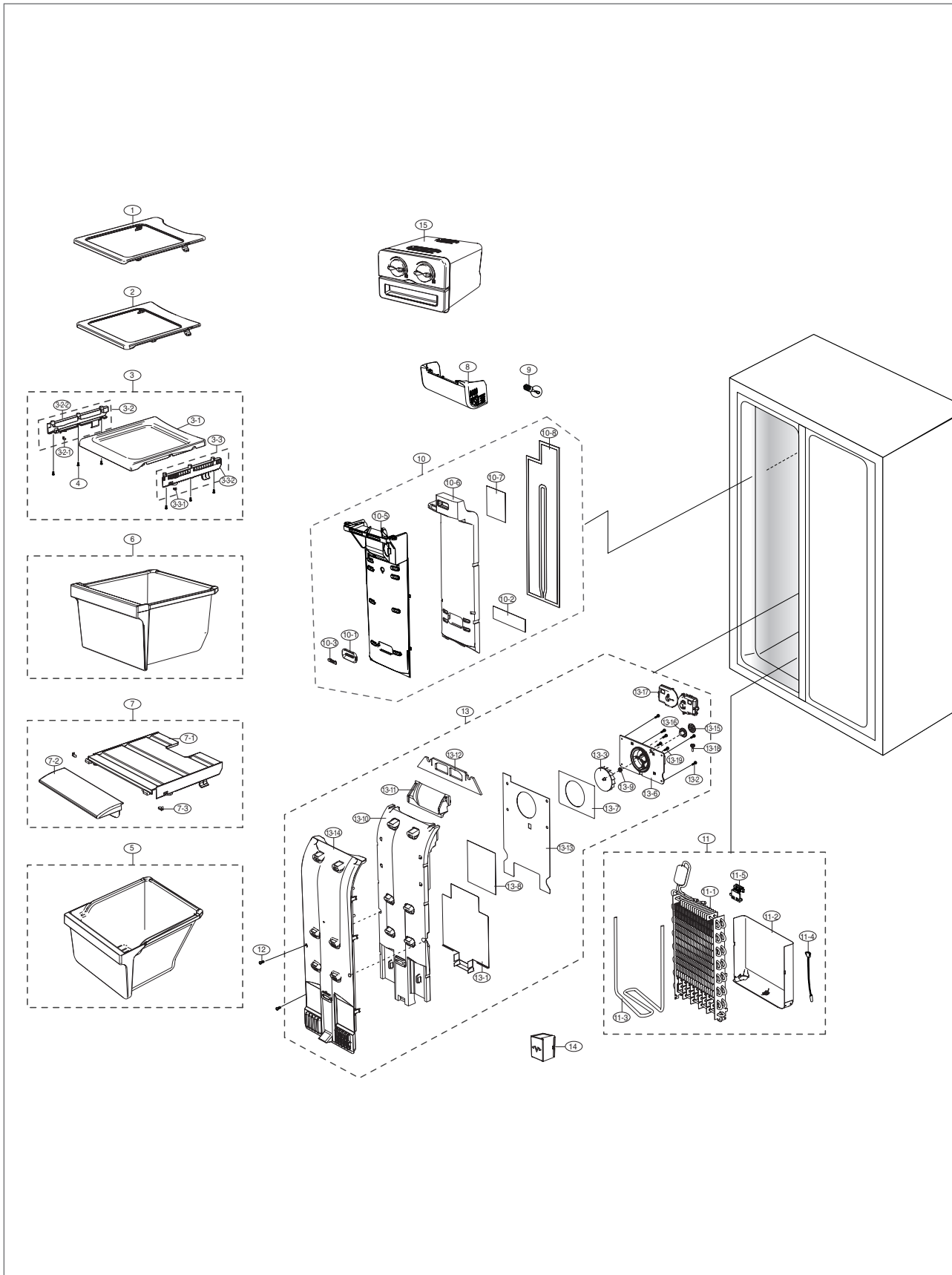
## EXPLODED VIEW & PART LIST

### ■ Parts List of Fridge Door (RSH1/H3)

NO	CODE-NO	PART NAME	Spec	Quantity	Remark	SA/SNA
6	DA97-04964B	ASSY GUARD-REF TOP	HERMES PJT,HERMES,55mm	1	RSH1KJ	SA
	DA97-05087A		HERMES PJT,HERMES,85mm	1	RSH3	
6-1	DA63-03536B	GUARD-REF TOP	HERMES PJT,ABS,T2.5,COOL WHITE(SC02740R),HERMES,55mm	1		SA
	DA63-03646A		HERMES PJT,ABS,T2.5,COOL WHITE,HERMES_85MM	1		
6-2	DA63-03537A	COVER-GUARD REF TOP	HERMES PJT,GPPS/HF2660S,T3.0,TRANSPARENCE,HERMES,55mm	1		SA
	DA63-03647A		HERMES PJT,GPPS,T2.5,TRANSPARENCE,HERMES_85mm	1		
7	DA97-04965B	ASSY-GUARD REF MID	HERMES PJT,HERMES,55mm	1	RSH1KJ	SA
	DA97-05088A		HERMES PJT,HERMES,85mm	1	RSH3	
7-1	DA63-03538B	GUARD REF-MID	HERMES PJT,ABS,T2.5,COOL WHITE(SC02740R),HERMES,55mm	1		
	DA63-03648A		HERMES PJT,ABS,T2.5,COOL WHITE,HERMES_85MM	1		
7-2	DA63-03537A	COVER-GUARD REF TOP	HERMES PJT,GPPS/HF2660S,T3.0,TRANSPARENCE,HERMES,55mm	1		SA
	DA63-03647A		HERMES PJT,GPPS,T2.5,TRANSPARENCE,HERMES_85mm	1		
7-3	DA61-03601B	GUIDE-BOTTLE REF	HERMES,PP,T2.5,COOL-WHITE	1		SA
8	DA97-04966B	ASSY GUARD-REF LOW	HERMES PJT,HERMES,55mm	1	RSH1KJ	SA
	DA97-05089A		HERMES PJT,HERMES,85mm	1	RSH3	
8-1	DA63-03540B	GUARD-REF LOW	HERMES PJT,ABS,T2.5,COOL WHITE(SC02740R),HERMES,55mm	1		SA
	DA63-03650A		HERMES PJT,ABS,T2.5,COOL WHITE,HERMES_85MM	1		
8-2	DA63-03539A	COVER-GUARD REF LOW	HERMES PJT,GPPS/HF2660S,T3.0,TRANSPARENCE,HERMES,55mm	1		SA
	DA63-03652A		HERMES PJT,GPPS,T2.5,TRANSPARENCE,HERMES_85mm	1		
9	DA64-02134A	TRIM-CASE BRACKET FRONT	HERME-PJT,ABS,T2.5,360.3,TRNSPARENCE DRAK BROWN,HM-DOOR	1	RSH1/H3"BP/PEMH/RSIS	SA
	DA64-02134B		HERME-PJT,ABS,T2.5,360.3,CAFE SHABBY CHICK,HM-DOOR	1	RSH1/H3"SW	
10	DA97-05083B	ASSY-LATCH	HERME-PJT,POM, BLK	1	RSH1KJ/FB, RSH3K/F	SA
11	DA97-05078A	ASSY-HOME BAR FOAM(07)	HERME-PJT,SNOW-WHITE(SC-97527R),HERMES-DOOR	1	RSH1/H3"SW	SA
	DA97-05078B		HERMES,I-BLACK(SC-00477R),HERMES-DOOR	1	RSH1/H3"BP	
	DA97-05078C		HERMES,T-GRY(SC-03186R),P-SIL(SC-05010S),HERMES-DOOR	1	RSH1/H3"PE	
	DA97-05078D		HERMES,N-GRY(SC-02008R),M-SIL(SC-06036S),HERMES-DOOR	1	RSH1/H3"MH	
	DA97-05078E		HERMES,N-GRY(SC-02008R),V-SIL(SC-05061S),HERMES-DOOR	1	RSH1/H3"RS	
	DA97-05078F	HERMES,N-GRY(SC-02008R),C-ROY(SC-07025S),HERMES-DOOR	1	RSH1/H3"IS		
	DA97-06411A	ASSY-HOME BAR FOAM(08)	HERME-PJT,SNOW-WHITE(SC-97527R),HERMES-DOOR	1	RSH1/H3"SW	
	DA97-06411B		HERMES,I-BLACK(SC-00477R),HERMES-DOOR	1	RSH1/H3"BP	
	DA97-06411C		HERMES,T-GRY(SC-03186R),P-SIL(SC-05010S),HERMES-DOOR	1	RSH1/H3"PE	
	DA97-06411D		HERMES,N-GRY(SC-02008R),M-SIL(SC-06036S),HERMES-DOOR	1	RSH1/H3"MH	
DA97-06411E	HERMES,N-GRY(SC-02008R),V-SIL(SC-05061S),HERMES-DOOR		1	RSH1/H3"RS		
DA97-06411F	HERMES,N-GRY(SC-02008R),C-ROY(SC-07025S),HERMES-DOOR	1	RSH1/H3"IS			
11-1	DA67-00638A	CAP-H/B DOOR IN	A-TOP,SILICON,SC-01625R,CREAM-WHT,A-TOP	1	RSH1KJ/FB/H3K/F"SW	SA
	DA67-00638C		A-TOP,SILICON,VICTORY-GRAY,SC-01645R	1	RSH1KJ/FB/H3K/F"PE	
	DA67-00638L		NEXT-PJT, HOME-BAR,SILICON,I-BLACK,SC-00477R	1	RSH1KJ/FB/H3K/F"BP	
	DA67-00638M		NEXT-PJT, HOME-BAR,SILICON,STAINLESS-PLATINUM,SC-03172R	1	RSH1KJ/FB/H3K/F"RS	
11-2	DA66-00205A	SHAFT-DMAPER HOMBAR	STS304,48.4,??,	1	RSH1KJ/FB, RSH3K/F	SA
11-3	DA97-03956C	ASSY-DAMPER HOME BAR	CULLINAN	1	RSH1KJ/FB, RSH3K/F	SA
11-4	DA67-01676A	CAP-OIL DAMPER	HERME-PJT,ABS,T2.5,SNOW-WHITE(SC-97527R)	1	RSH1KJ/FB, RSH3K/F	SA
	DA67-01676B		HERME-PJT,ABS,T2.5,I-BLACK(SC-00477R)	1	RSH1/H3"SW	
	DA67-01676C		HERME-PJT,ABS,T2.5,TITAN GRAY(SC-03186R)	1	RSH1/H3"BP	
	DA67-01676D		HERME-PJT,ABS,T2.5,MANHATTAN SILVER(SC-06036R)	1	RSH1/H3"PE	
	DA67-01676E		HERME-PJT,ABS,T2.5,Versailles STS(SC-04084R)	1	RSH1/H3"MH	
	DA67-01676F		HERMES PJT,ABS,T2.5,INOX(SC-06034R)	1	RSH1/H3"RS	
11-5	6002-000213	SCREW-TAPPING	TH,M4,L12,ZPC(WHT)	2	RSH1/H3"IS	SA
12	DA97-05529A	ASSY-BRACKET HANDLE	HERMES, SWRC10A	4		SA
12-1	DA61-03725A	BRACKET-HANDLE	HERMES,SWRC10A,FH, MR, L10.5,	4		SA
12-2	DA63-03840A	GROMMET-HANDLE	HERMES,SILICON,T1,NTR,DISP, 40°	4		SA

# EXPLODED VIEW & PART LIST

## 5-8) Freezer (RSH1/H3-Basic)



## EXPLODED VIEW & PART LIST

### ■ Parts List of Freezer

NO	CODE-NO	PART NAME	Spec	Quantity	Remark	SA/SNA
1	DA67-01696A	SHELF FRE-TOP	HM-PJT,P.P+GLASS,W307,L360,SC-02740R	1		SA
2	DA67-01697A	SHELF FRE-MID	HM-PJT,P.P+GLASS,W308,L325,SC-02740R	1		SA
3	DA97-05141A	ASS'Y-SHELF FRE LOW	HERMES-PJT	1		SA
3-1	DA67-01687A	SHELF-FRE LOW	HERMES-PJT,HIPS,T2.5,SC-02740R	1		SA
3-2	DA84-00003A	ASSY RAIL-BOX L	HERMES-PJT,T2.0,W17,L260	1		SA
3-2-1	DA63-00202C	GROMMET-RAIL	NY-6	1		SA
3-2-2	DA61-03413A	RAIL-BOX L	HERMES-PJT,HIPS,SC-02740R	1		SA
3-3	DA84-00004A	ASSY RAIL-BOX R	HERMES-PJT,T2.0,W17,L260	1		SA
3-3-1	DA63-00202C	GROMMET-RAIL	NY-6	1		SA
3-3-2	DA61-03412A	RAIL-BOX R	HERMES-PJT,HIPS,SC-02740R	1		SA
4	6001-000034	SCREW-TAPPING	TH,+,-,1,M4.0,L12,ZPC(YEL),MSWR10,-	6		SNA
5	DA97-05336B	ASSY-CASE BASKET LOW	HERMES,SAN+TAPE ETC PE,W60, 1-PIECE	1	RSH1F/D/BN	SA
6	DA97-05335B	ASSY-CASE BASKET HIGH	HERMES,SAN+TAPE ETC PE,W60, 1-PIECE	1	RSH1F/D/BN	SA
7	DA97-05103A	ASSY-COVER SLIDE BASKET	HERMES,1-PIECE	1	RSH1F/D/BN	SA
7-1	DA63-03569A	COVER BASKET-LOW	HERMES,ABS,TRP	1		SA
7-2	DA63-03637A	COVER-SLIDE BASKET	HERMES,SAN,TRP, 1-PIECE	1		SA
7-3	DA63-00202C	GROMMET-RAIL	NY-6	2		SA
8	DA63-03603A	COVER LAMP-FRE	HERMES,PP,BASIC	1	RSH1BN,RSH3N	SA
9	4713-001201	LAMP-INCANDESCENT	230V,0mA,40W	1		SA
10	DA97-05334A	ASSY COVER-MULTI FRE	HERMES,BASIC	1	RSH1BN,RSH3N	SA
10-1	DA63-03609A	COVER SENSOR	HERMES,ABS,COOL WHT	1		SA
10-2	DA61-03360A	PLATE-MULTI FRE REAR LOW	HERMES,PP,T1.0,NTR	1		SNA
10-3	DA64-02141A	TRIM SENSOR	HERMES,ABS,COOL WHT	1		SA
10-4	DA32-10105V	SENSOR-ASSY	PBT fTJ,L200->L300	1		SA
10-5	DA63-03602A	COVER-MULTI FRE	HERMES,PP,COOL WHT,BASIC	1		SNA
10-6	DA62-01450A	INSULATION-MULTI FRE	HERMES,FOAM PS,WHT,BASIC	1		SNA
10-7	DA61-03623A	PLATE-MULTI FRE REAR HIGH	HERMES,PP,NTR,BASIC	1		SNA
10-8	DA62-01438A	SEAL COVER MULTI FRE REAR(DISP)	NITRONG PAPER T2.0	1		SNA
11	DA96-00380A	ASSY EVAP-FRE	HERMES-PJT,A1070-H14,230V,250W,SHEATH-HEATER	1	230V	SA
	DA96-00380B		HERMES-PJT,A1070-H14,120V,250W,SHEATH-HEATER	1	120V	
11-1	DA75-00205A	EVAP FRE	HFC-134A,A1100P-H24,2	1		SNA
11-2	DA47-00246A	HEATER-METAL SHEATH(FRE)	HERMES-PJT,250W,230V,211.66Y,F-ROOM	1	230V	SNA
	DA47-00246B		HERMES-PJT,250W,120V,57.66Y,F-ROOM	1	120V	
11-3	DA61-03362A	PLATE-DRAIN FRE	HERMES,GALVANUME,T0.3	1		SNA
11-4	DA32-00006B	SENSOR ASSY-REF	PX-41C10C~35C,5V	1		SA
11-5	DA61-00603A	FIXER-SENSOR	PP	1		SA
12	6002-000215	SCREW-TAPPING	TH,1,M4.0,L16,ZPC(YEL)	9		SNA
13	DA97-05052B	ASSY COVER EVAP-FRE	BLDC	1		SA
13-1	DA61-03357A	PLATE-EVAP HEATER FRE	HERMES,GALVANUME,T0.3	1		SNA
13-2	6002-000215	SCREW-TAPPING	TH,1,M4.0,L16,ZPC(YEL)	4		SNA
13-3	DA31-00053A	FAN-BACKWARD(FRE)	ABS,16Wing	1		SA
13-4	DA31-00146E	MOTOR FAN-BLDC	DREP5020LB,BLDC Motor,0.2	1		SA
13-5	DA39-00060B	WIRE HARNESS-MOTOR	F-FAN	1		SA
13-6	DA61-00417A	CASE MOTOR	ABS SCRAP,WHT	1		SA
13-7	DA61-00411A	PLATE-FAN MOTOR,FRE	HIPS,T1.0	1		SNA
13-8	DA61-03359A	PLATE-INS EVAP FRE HIGH	HERMES,PP,T1.0,NTR	1		SNA
13-9	DA61-20128A	SPRING ETC-FAN	STS304,PI7.8,OD1.0	1		SA
13-10	DA62-01440A	INSULATION EVAP-FRE A	HERMES,FOAM PS,WHITE	1		SA
13-11	DA62-01441A	INSULATION EVAP-FRE B	HERMES,FOAM PS,WHT	1		SA
13-12	DA62-01436A	SEAL-COVER EVAP FRE HIGH	HERMES,OJC,WHITE,T7.0	1		SNA
13-13	DA62-01435A	SEAL-COVER EVAP FRE AL	HERMES,FOAM PE+AL,BLACK,T1.5	1		SNA



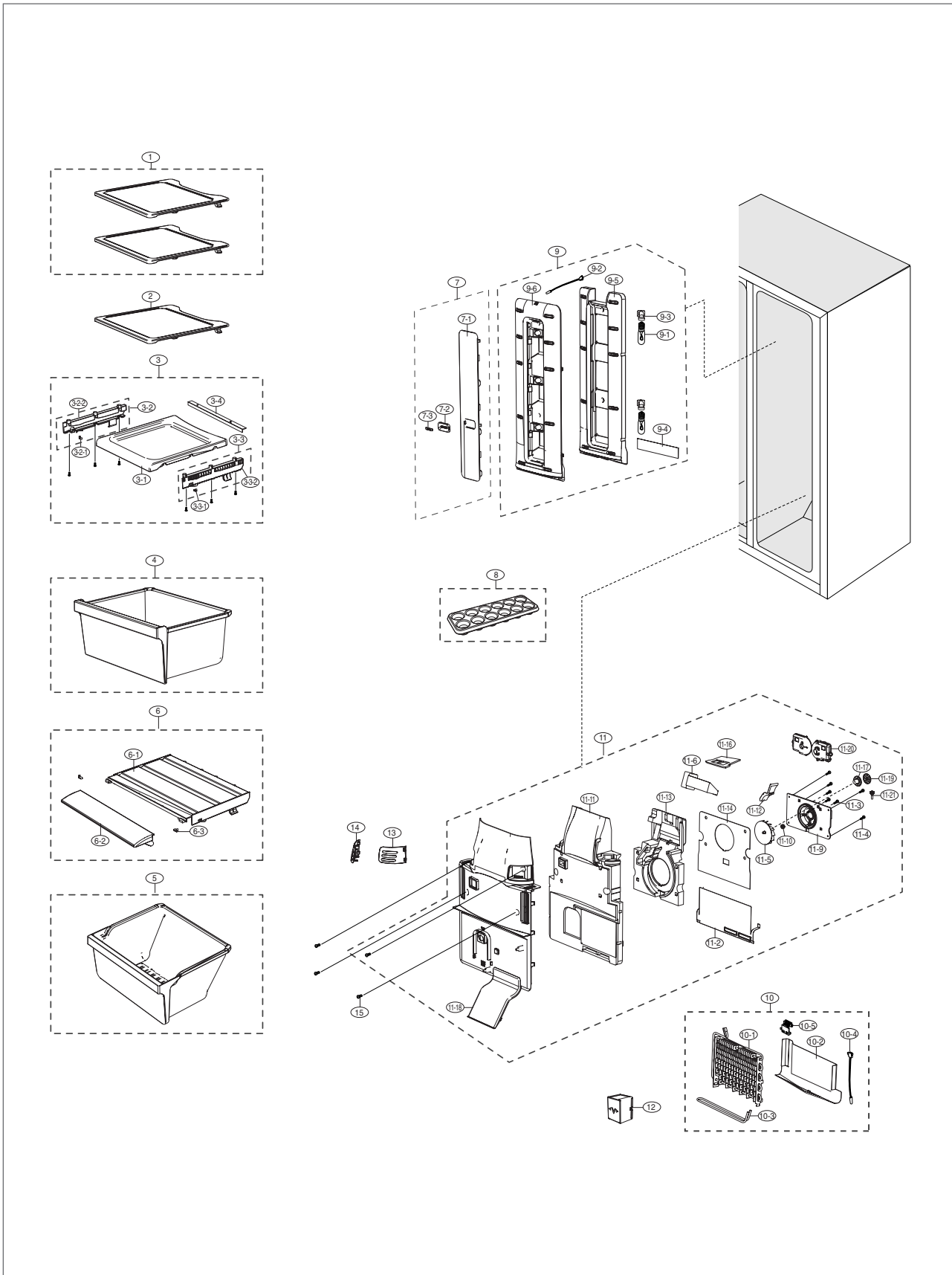
## EXPLODED VIEW & PART LIST

### ■ Parts List of Freezer

NO	CODE-NO	PART NAME	Spec	Quantity	Remark	SA/SNA
13-14	DA63-03592A	COVER EVAP-FRE	HERMES,PP,COOL WHT	1		SA
13-15	DA63-01146A	GROMMET-MOTOR,REAR	NBR,ID6.5	1		SA
13-16	DA63-01808A	GROMMET-MOTOR,FRONT	BLDC,NBR,BLACK	1		SA
13-17	DA63-01809A	COVER MOTOR-BLDC	BLDC-NEW,PP,NTR	1		SA
13-18	DA63-40167A	GROMMET-COVER CHIL	T3.0,SILICON,	1		SA
13-19	6002-000213	SCREW-TAPPING	TH,1,M4,L12,ZPC(YEL),S	3		SNA
14	DA63-02902A	COVER-FIXER HOUSING,V	GA T0.4	1		SA
15	DA97-04084A	ASSY TRAY-ICE	NEXT,TWIST	1		SA

# EXPLODED VIEW & PART LIST

## 5-9) Fridge (RSH1/H3-Basic)



## EXPLODED VIEW & PART LIST

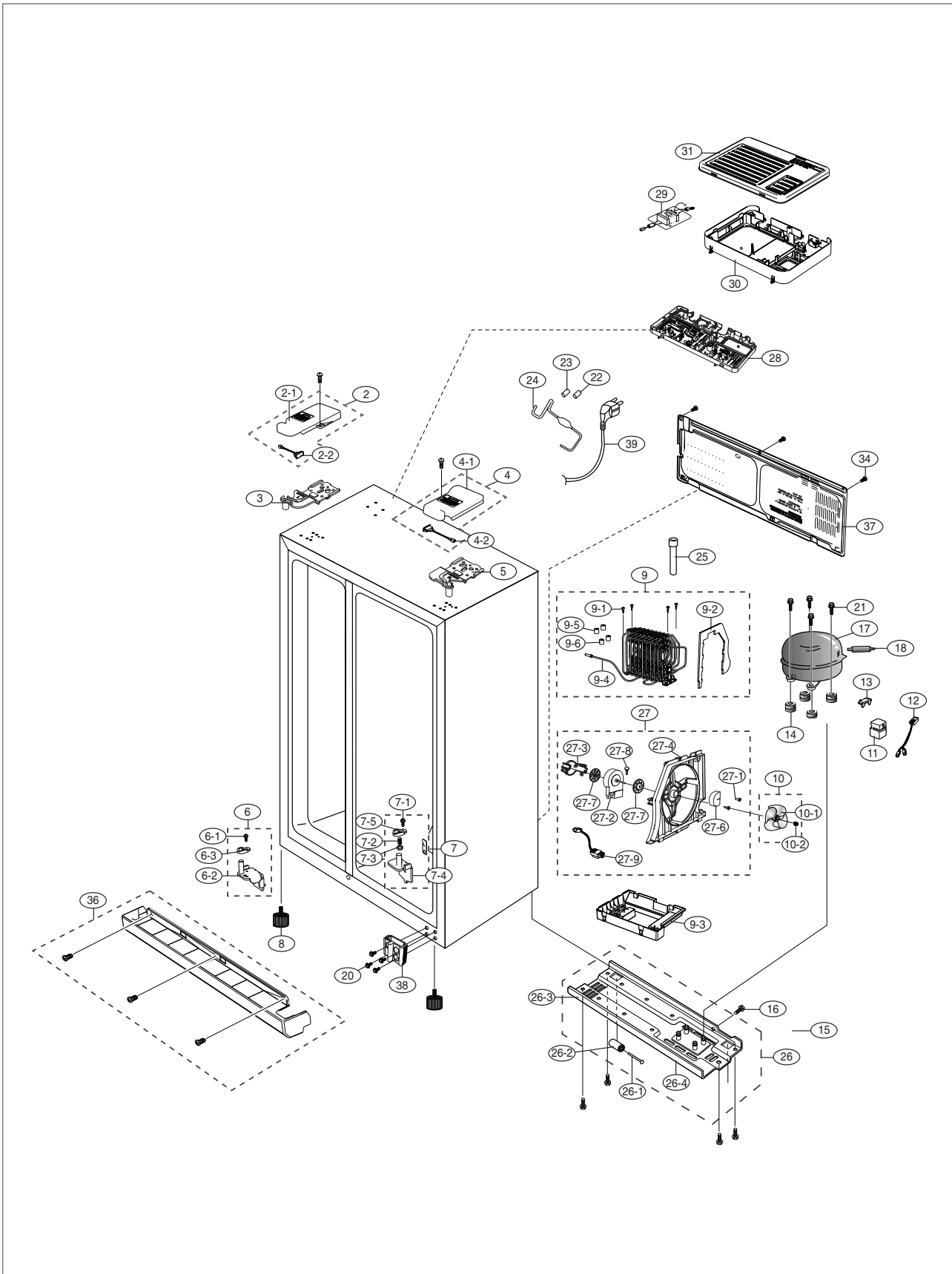
### ■ Parts List of Fridge

NO	CODE-NO	PART NAME	Spec	Quantity	Remark	SA/SNA
1	DA67-01694A	SHELF REF-TOP	HERMES-PJT,P.P+GLASS,T2.0,W443,L386,SC-02740R	2		SA
2	DA67-01695A	SHELF REF-MID	HERMES-PJT,P.P+GLASS,W443,L386,SC-02740R	1		SA
3	DA97-05140B	ASSY-SHELF REF LOW	HERMES-PJT	1		SA
3-1	DA67-01690A	SHELF-REF LOW	HERMES-PJT,HIPS,T2.5,SC-02740R	1		SA
3-2	DA84-00003A	ASSY RAIL-BOX L	HERMES-PJT,T2.0,W17,L260	1		SA
3-2-1	DA63-00202C	GROMMET-RAIL	NY-6	1		SA
3-2-2	DA61-03413A	RAIL-BOX L	HERMES-PJT,HIPS,SC-02740R	1		SA
3-3	DA84-00004A	ASSY RAIL-BOX R	HERMES-PJT,T2.0,W17,L260	1		SA
3-3-1	DA63-00202C	GROMMET-RAIL	NY-6	1		SA
3-3-2	DA61-03412A	RAIL-BOX R	HERMES-PJT,HIPS,SC-02740R	1		SA
3-4	DA64-02230A	TRIM-HUMIDITY REF	HERMES,PP,WHITE,EXTRUDING	1		SA
4	DA97-05337B	ASSY-CASE VEG HIGH	HERMES,SAN+TAPE ETC PE,W60, 1-PIECE	1	RSH1F/D/BN	SA
5	DA97-05338B	ASSY-CASE VEG LOW	HERMES,SAN+TAPE ETC PE,W60, 1-PIECE	1	RSH1F/D/BN	SA
6	DA97-05100B	ASSY-COVER SLIDE VEG	HERMES,I-PIECE	1	RSH1F/D/BN	SA
6-1	DA63-03566A	COVER VEG-LOW	HERMES,ABS,TRP	1		SA
6-2	DA63-03638A	COVER-SLIDE VEG	HERMES,SAN,TRP,1PIECE	1		SA
6-3	DA63-00202C	GROMMET-RAIL	NY-6	2		SA
7	DA97-05064A	ASSY-COVER LAMP REF	HERMES	1		SA
7-1	DA63-03608A	COVER LAMP-REF	HERMES,PP	1		SA
7-2	DA63-03609A	COVER SENSOR	HERMES,ABS,COOL WHT	1		SA
7-3	DA64-02141A	TRIM-SENSOR	HERMES,ABS,COOL WHT, j1-	1		SA
8	DA63-03734A	TRAY-EGG	HERMES-PJT,GPPS,T2.5,W114.2,L314.17,TRANSPARENCY	1		SA
9	DA97-05062B	ASSY COVER-MULTI REF	HERMES,LAMP-2EA,230V	1	RSH1F/D/BN, RSH3F/N 230V	SA
	DA97-05062D		HERMES,LAMP-2EA,120V	1	RSH1F/D/BN, RSH3F/N 120V	
9-1	4713-001189	LAMP-INCANDESCENT	240V,30W,,25x84	2		SA
9-2	DA32-10105H	SENSOR-ASSY	502AT10~35,5V,5KOHM	1		SA
9-3	DA47-00257B	LAMP HOLDER	E14,250V,1A,370,NTR,PBT 5VA	1		SA
9-4	DA61-03361A	PLATE-MULTI REF REAR	PP,T1.0	1		SA
9-5	DA62-01445A	INSULATION-MULTI REF	HERMES,FOAM PS,WHT	1		SA
9-6	DA63-03596B	COVER-MULTI REF	HERMES,PP,COOL WHT	1		SNA
10	DA96-00379A	ASSY EVAP-REF	HERMES-PJT,A1070-H14,230V,140W,SHEATH-HEATER	1	230V	SA
	DA96-00379B		HERMES-PJT,A1070-H14,120V,140W,SHEATH-HEATER	1	120V	
10-1	DA75-00204A	EVAP REF	A1100P-H12,230V,110W,	1		SNA
10-2	DA61-03358A	PLATE-DRAIN EVAP REF	HERMES,GALVANUM,T0.3	1		SA
10-3	DA47-00247A	HEATER-METAL SHEATH(REF)	HERMES-PJT,140W,230V,377.8Bÿ,R-ROOM	1	230V	SA
	DA47-00247B		HERMES-PJT,140W,120V,102.8Bÿ,R-ROOM	1	120V	
10-4	DA32-10109H	SENSOR ASSY-REF	PX-41C10C~35C,5V	1		SNA
10-5	DA61-00453A	FIXER-SENSOR	EVAP,PP,NTR,ALL	1		SNA
11	DA97-05247E	ASSY COVER EVAP-REF	HERMES, BASIC	1	RSH1B/N,RSH3N	SA
11-1	DA61-03582A	PLATE-DRAIN INS EVAP REF	HERMES,AL,T0.6	1		SA
11-2	DA61-03356A	PLATE EVAP HEATER REF	GALVANUM,T0.3	1		SA
11-3	6002-000213	SCREW-TAPPING	TH,1,M4,L12,ZPC(YEL),S	3		SNA
11-4	6002-000215	SCREW-TAPPING	TH,1,M4.0,L16,ZPC(YEL)	4		SNA
11-5	DA31-00123A	FAN-BACKWARD	ABS,13Wing	1		SNA
11-6	DA31-00043A	MOTOR-DAMPER	NSBA001TA1,AT-PJT,max 60mA,	1		SNA
11-7	DA31-00146E	MOTOR FAN-BLDC	DREP5020LB,BLDC Motor,0.2	1		SA
11-8	DA39-00060B	WIRE HARNESS-MOTOR	F-FAN	1		SA
11-9	DA61-00417A	CASE MOTOR	ABS SCRAP,WHT,SBS	1		SA
11-10	DA61-20128A	SPRING ETC-FAN	STS304,PI7.8,OD1.0,	1		SA
11-11	DA62-01446A	INSULATION EVAP-REF A	HERMES,FOAM PS,WHT	1		SA
11-12	DA67-01672A	CAP-INS EVAP REF B	HIPS,NTR	1		SA



# EXPLODED VIEW & PART LIST

## 5-10) Cabinet & Unit (RSH1/H3-Basic)



## EXPLODED VIEW & PART LIST

### ■ Parts List of Cabinet

NO	CODE-NO	PART NAME	Spec	Quantity	Remark	SA/SNA
1	DA90-03673A	ASSY-CABINET FOAM	HERMES	1	RS****SW	SNA
2	DA97-04980A	ASSY COVER HINGE-UPP L	HERMES, SNOW WHITE	1	RS****BP	SA
	DA97-04980B		HERMES, I-BLACK	1	RS****PE	
	DA97-04980C		HERMES, TITAN GRAY	1	RS****MH	
	DA97-04980D		HERMES, MANHATTAN SILVER	1	RS****RS	
	DA97-04980E		HERMES, NOBLE STS	1	RS****IS	
	DA97-04980F		HERMES, INOX	1	RS****SW	
2-1	DA63-03529A	COVER HINGE-UPP L	ABS, T2.5, SNOW WHITE	1	RS****BP	SA
	DA63-03529B		ABS, T2.5, I-BLACK	1	RS****PE	
	DA63-03529C		ABS, T2.5, TITAN GRAY	1	RS****MH	
	DA63-03529D		ABS, T2.5, MANHATTAN SILVER	1	RS****RS	
	DA63-03529E		ABS, T2.5, NOBLE STS	1	RS****IS	
	DA63-03529F		ABS, T2.5, INOX	1		
2-2	DA34-00043A	SWITCH REED ASSY	200VDC,1.5	1		SA
3	DA61-03354A	HINGE-UPP L	HERMES,SHP1,T3.0,BLACK	1	RS****SW	SA
4	DA97-04979A	ASSY COVER HINGE-UPP R	HERMES, SNOW WHITE	1	RS****BP	SA
	DA97-04979B		HERMES, I-BLACK	1	RS****PE	
	DA97-04979C		HERMES, TITAN GRAY	1	RS****MH	
	DA97-04979D		HERMES, MANHATTAN SILVER	1	RS****RS	
	DA97-04979E		HERMES, NOBLE STS	1	RS****IS	
	DA97-04979F		HERMES, INOX	1	RS****SW	
4-1	DA63-03530A	COVER HINGE-UPP R	ABS, T2.5, SNOW WHITE	1	RS****BP	SA
	DA63-03530B		ABS, T2.5, I-BLACK	1	RS****PE	
	DA63-03530C		ABS, T2.5, TITAN GRAY	1	RS****MH	
	DA63-03530D		ABS, T2.5, MANHATTAN SILVER	1	RS****RS	
	DA63-03530E		ABS, T2.5, NOBLE STS	1	RS****IS	
	DA63-03530F		ABS, T2.5, INOX	1		
4-2	DA34-00043A	SWITCH REED ASSY	200VDC,1.5	1		SA
5	DA61-03355A	HINGE-UPP R	HERMES,SHP1,T3.0,BLACK	1		SA
6	DA97-04107	ASSY HINGE LOW-L	T4.5,W80.4,L57.8	1		SA
6-1	6003-001435	SCREW-TAPTITE	HWH,S,M5,L12.7,ZPC(YEL),	1		SA
6-2	DA61-02891A	HINGE-LOW FRE	SHP1,T4.5,W54.6,L57	2		SA
6-3	DA66-00343A	CAM-RISER	TH,+WT,TC,M4,L10,ZPC(YEL)	1		SA
7	DA97-04354A	ASSY HINGE LOW R	BASIC,10.5 Gasket	1		SA
7-1	6003-001435	SCREW-TAPTITE	HWH,M5,L12.7,ZPC(YEL),	1		SA
7-2	6011-001442	BOLT-SOCKET	M8,L15,ZPC(BLK),SCM435	1		SA
7-3	6021-001125	NUT-HEXAGON	3,M8, P1.25,ZPC(BLK),SWRCH10	1		SA
7-4	DA61-02966A	HINGE-LOW REF	10.5mm,SCP1,T4.5,T3.0,	1		SA
7-5	DA66-00343A	CAM-RISER	USP05(ET),NY-66(2110R),BL	2		SA
8	DA61-30102A	FOOT-FRONT	PP,YEL,T0.6,ZPC2	1		SA
9	DA97-03869A	ASSY TRAY-DRAIN WATER	ET/A-TOP_VE	4		SA
9-1	6009-001252	SCREW-SPECIAL	PH,M4.0,L20(12),ZPC	1		SA
9-2	DA62-01236A	SEAL-SUB CONDENSER	FOAM-PE	1		SA
9-3	DA63-03069A	TRAY DRAIN-WATER	PP,T2.0	1		SA
9-4	DA97-03962A	ASSY PIPE-SPIRAL COND	ET/A-TOP_VE	2		SA
9-5	DA63-40128A	GROMMET-SUB COND	NBR	2		SA
9-6	DA63-40171B	GROMMET-SUCT PIPE A	NBR,OD20,ID4,L20	1		SA
10	DA31-00010F	FAN-ASS'Y	°A150	1		SA
10-1	DA31-00015C	FAN-TURBO	ABS+GLASS FIBER 10%,GR-4010	1		SNA
10-2	DA61-03139A	SPRING ETC-FAN	STS304,PI7.8,OD1.0	1		SA

## EXPLODED VIEW & PART LIST

### ■ Parts List of Cabinet

NO	CODE-NO	PART NAME	Spec	Quantity	Remark	SA/SNA
11	2301-001695	C-FILM,LEAD	5UF,350V,BK	1	230V,50Hz	SA
	2301-001837		1200nF,-5/10%,250V,Bulk,50x25x36		110-127V,60Hz	
	2301-001848		5000nF,-5/10%,450V,Bulk,50x25x36		220-240V,50Hz	
12	DA96-00174A	ASS'Y-HARNESS,COMP	EPEL,WIRE-HARNESS MAIN,A	1	230V,50Hz,110-127V,60Hz	SA
	DA96-00174C		AW-PJT,AWG 18		INVERTER	
	DA39-00154A	WIRE HARNESS-COMP	INVERTER,WIRE HARNESS COMP		230V,50Hz,R600a	
13	DA96-00270A	ASS'Y-RELAY,PTC	12SP18A265RF330,130°.../61°...,33Bÿ	1	110-127V,60Hz,R134a	SA
	DA96-00270C		12SP16A435RF100,135/61°...,10Bÿ	1	220-240V,50Hz,R134a	
	DA96-00270D		12SP17A317RH220,130/69°...,22Bÿ	1	INVERTER,R600a	
	DA34-00004C	RELAY PROTECTOR O/L	4TM319SFBYY-82,BK190HL2X,S/T_13.0A, U/T_3.10A,135,61	1		
14	DA63-02017A	GROMMET-COMP	EPDM	4		SA
15	DA39-20389L	W/HARNESS EARTH	TMF/LMF,AWG #18,150mm	1		SA
16	DA60-10143A	SCREW-EARTH	BH,M4,L10,PASS,BS	2		SA
17	MK4A5QR1U/E10	COMPRESSOR	220-240V±50HZ,RSCR,STATIC	1	230V,50Hz,R600a	SA
	MK190GL2U/E08		9.08CC,200/220-50,220-60,RSCR	1	220-240V,50Hz,R134a	
	MK172DR2U/E08		115-127V-60HZ,RSCR,FAN	1	110-127V,60Hz,R134a	
	EQ4A5HL2X/D02		15.31CC,BLDC,R-600A	1	INVERTER,R134a	
18	DA62-01270B	DRYER-ASSY	CU,•18.85,L90	1		SNA
19	DA61-02657A	CLIP-DRYER	SECC1,T0.4	1		SA
20	DA60-10004A	SCREW-HEX	HH,M6,L16,ZPC(YEL),SWRCH	4		SA
21	DA60-20008A	BOLT-HEX	S25C,L42.6	4		SA
22	DA63-40171B	GROMMET-SUCT PIPE A	NBR,OD20,ID4,L20	1		SA
23	DA63-40171D	GROMMET-SUCT PIPE B	RAIL L19.5,NR,OD20	2		SA
24	DA97-04977A	ASSY PIPE CONNECT-SUCTION	SUCTION	1		SNA
25	DA97-04045A	ASSY TUBE-DRAIN	SOFT-PVC	2		SA
26	DA97-03971C	ASSY CHASSIS-COMP	SBHG1,T1.4	1		SA
26-1	DA60-90146A	PIN-CASTER	MSWR10,OD6.0,L40,ZPC2	2		SA
26-2	DA61-40126B	CASTER-REAR	PP,PI 44,NTR,W22	2		SA
26-3	DA64-01808C	CHASSIS COMP	ET/A-TOP_VE,SBHG1,T1.4	1		SA
27	DA97-03870B	ASSY SUPPORT-CIRCUIT MOTOR	ET/A-TOP_VE	1		SA
27-1	6003-000003	SCREW-TAPTITE	BH,B,M4,L10,ZPC(BLK)	2		SA
27-2	DA31-00146B	MOTOR DC-BLDC SENSOR	DRCP5030LA,230mA	1		SA
27-3	DA61-02355B	BRACKET-CIRCUIT MOTOR	ABS,WHI	1		SA
27-4	DA61-02788A	SUPPORT-CIRCUIT MOTOR	ET/A-TOP_VE,ABS,T2	1		SNA
27-5	DA62-01297A	SEAL-SUPPORT MOTOR	FOAM PE,T15,	1		SA
27-6	DA63-01146A	GROMMET-MOTOR,REAR	NBR,ID6.5	2		SA
27-7	DA63-40167A	GROMMET-COVER CHIL	T3.0,SILICON	1		SA
27-8	DA96-00042A	ASSY-W/HARNESS MOTOR	W/HARNESS	1		SA
28	DA41-00470A	PBA MAIN	HERMES-PJT, TOP OF REF.FR-1247*197, 1.6T,BASIC,230V,50HZ	1	RSH1BN,RSHGN, R600a	SA
	DA41-00471B		HERMES-PJT, TOP OF REF.FR-1247*197, 1.6T,R134a,BASIC,AC COMP,C,110/230,50/60	1	RSH1BN,RSHGN, R134a	
	DA41-00472C		HERMES-PJT, TOP OF REF.FR-1247*197, 1.6T,R600a, BASIC, INV COMP, C,230,50	1	RSH1S,R600a, INVERTER	
	DA41-00473D		HERMES-PJT, TOP OF REF.FR-1247*197, 1.6T,R600a, R-HOMEBAR, INV COMP, C,230,50	1	RSH1V,R600a, INVERTER	
29	DA27-00014D	COIL FILTER-EMI FILTER	USP05(SRT768),5mH,27,83*60,BOX,5A,-20to+80C	1		SA
30	DA61-03363A	CASE-PBA MAIN	N-PP, SNOW-WHITE	1	RS****SW	SA
	DA61-03363D		N-PP, MANHATTAN SILVER	1	RS****BPPEMHRIS	
31	DA97-05275A	ASSY COVER-PBA MAIN	SBHG1	1		SA
32	6001-000541	SCREW-MACHINE	PH,+M4,L6,ZPC(YEL),SWRCH1	2		SA
33	6002-000213	SCREW-TAPPING	TH,1,M4,L12,ZPC(YEL),S	9		SA
34	6002-000470	SCREW-TAPPING	TH,M4,L10,ZPC(YEL),S	3		SA
35	DA60-10004A	SCREW-HEX	HH,+M6,L16,ZPC(YEL),SWRCH	6		SA

## EXPLODED VIEW & PART LIST

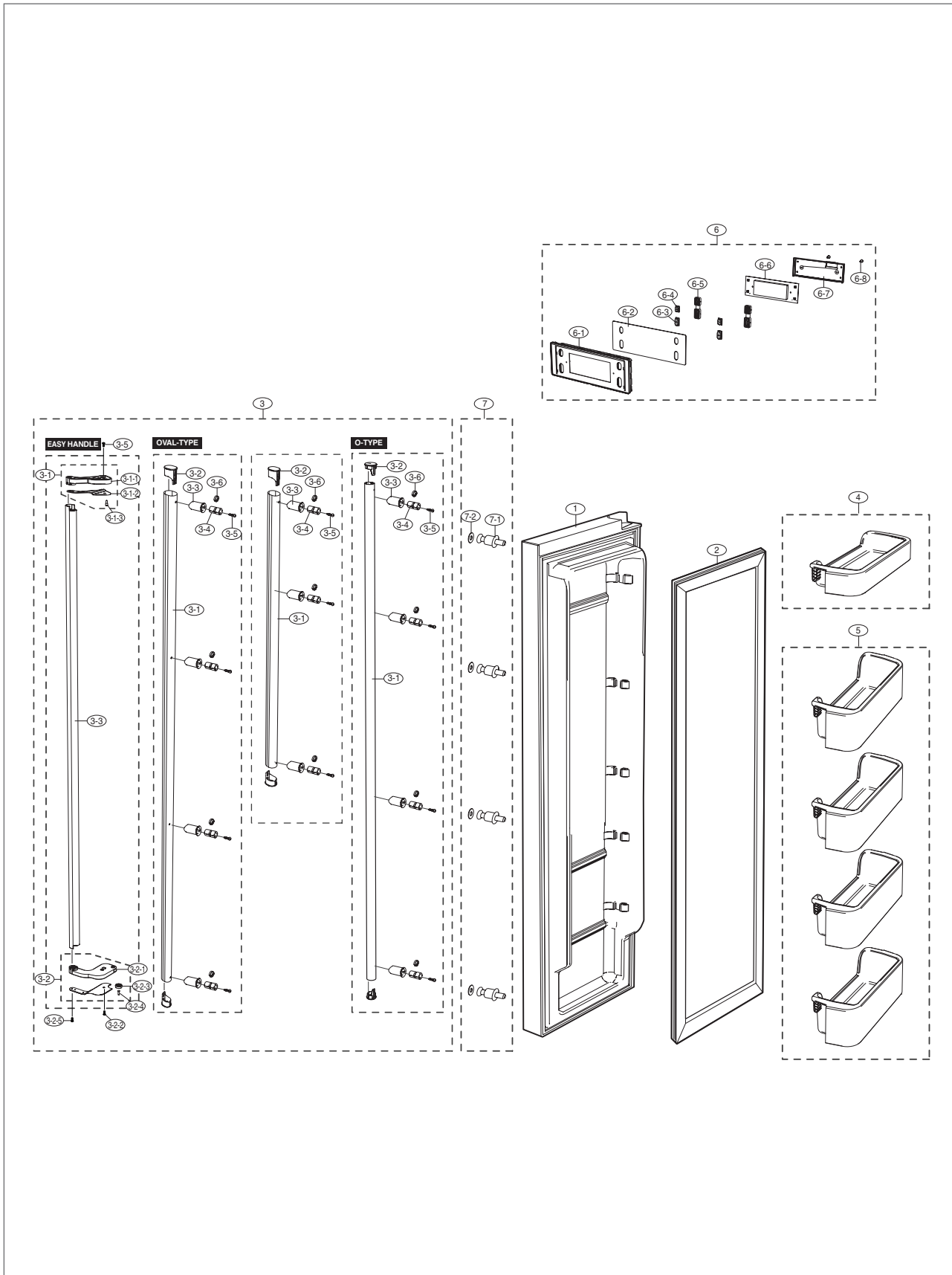
### ■ Parts List of Cabinet

NO	CODE-NO	PART NAME	Spec	Quantity	Remark	SA/SNA
36	DA63-03531A	COVER LEG-FRONT	PP, T2.5, SNOW WHITE	1		SA
	DA63-03531B		PP, T2.5, I-BLACK	1	RS****SW	
	DA63-03531C		PP, T2.5, TITAN GRAY	1	RS****BP	
	DA63-03531D		PP, T2.5, MANHATTAN SILVER	1	RS****PE	
	DA63-03531E		PP, T2.5, NOBLE STS	1	RS****MH	
	DA63-03531F		PP, T2.5, INOX	1	RS****RS	
37	DA97-05202A	ASSY COVER-COMP	HERMES-PJT,SBHG1,T0.35	1	RS****IS	SA
38	DA61-03036A	BRACKET-HINGE LOW	AL SQUEEZING(6063T0)	1		SA
39	DA39-00057C	CBF-POWER CORD	BP-3(SA16A),HOUSING TYPE	1	XFA	SA
	DA39-00059B		SP-3,HOUSING TYPE	1	SWS	
	DA39-10003E		EP-2(125V/12A),HOUSING TYPE	1	SCL	
	DA39-10106F		AP-3,HOUSING TYPE	1	RAD,XSA	
	DA39-10115D		UCP-2,250V,10/16A,L2100,VDE,300,3,1	1	BUL,BWT,BU	
	DA39-10127D		WS-013,HOUSING TYPE	1	GLI	
	DA39-10139D		WS-013,HOUSING TYPE	1	XME	
	DA39-10139E		BF-3(APPROVED,BK168),HOUSING TYPE	1	XSS	
	DA39-10164E		BF-3(BSI),HOUSING TYPE	1	XEU	
	DA39-10165C		SPT-3,HOUSING TYPE	1	XAP,XEM	
	3903-000153		EP-2(250V/12A),HOUSING TYPE	1	SAM,XTC	
	3903-000310		TP2,HOUSING TYPE		XST	



# EXPLODED VIEW & PART LIST

## 5-11) Freezer Door (RSH1/H3-Basic)



## EXPLODED VIEW & PART LIST

### ■ Parts List of Freezer Door (RSH1/H3-Basic)

NO	CODE-NO	PART NAME	Spec	Quantity	Remark	SA/SNA
1	DA91-02527A	ASSY-DOOR FOAM FRE	HERMES,55mm,SW,BASIC	1	RSH1BN	SNA
	DA91-02568A		HERMES,SW,B,T,BASIC,85mm	1	RSH3N	SNA
2	DA97-04567C	ASSY-GASKET DOOR FRE	SF-PVC,332X1	1		SA
3	<b>EASY HANDLE</b>				RSH1"E	
3-1	DA97-05173A	ASSY-CAP-HANDLE-FRE-UPP	HERMES, SNOW WHITE	1	RSH1"ESW	SA
	DA97-05173B		HERMES, I-BLACK	1	RSH1"EBP	
	DA97-05173C		HERMES, TITAN GRAY	1	RSH1"EPE	
	DA97-05173D		HERMES, MANHATTAN SILVER	1	RSH1"EMH	
	DA97-05173E		HERMES, NOBLE STS	1	RSH1"ERS	
	DA97-05173F		HERMES, INOX	1	RSH1"EIS	
3-1-1	DA67-01684A	CAP-HANDLE-FRE-UPP	JM,PC-ABS,WHITE	1	RSH1"ESW	SNA
	DA67-01684B		JM,PC-ABS,I-BLACK	1	RSH1"EBP	
	DA67-01684C		JM,PC-ABS,TITAN GRAY,PLATINUM-SILVER(SC-05010S)	1	RSH1"EPE	
	DA67-01684D		JM,PC-ABS,MANHATTAN SILVER,MANHATTAN SILVER(SC-06036S)	1	RSH1"EMH	
	DA67-01684E		JM,PC-ABS,NOBLE STS,VERSAILLES STS(SC-05061S)	1	RSH1"ERS	
	DA67-01684F		JM,PC-ABS,INOX	1	RSH1"EIS	
3-1-2	DA61-03407A	REINF-HANDLE-FRE-UPP	SHP1,T2.0,ZPC3-W	1	RSH1"E"	SA
3-1-3	6006-001170	SCREW-TAPPING	TH,M4,L12,ZPC(WHT)	1		SA
3-2	DA97-05175A	ASSY-CAP-HANDLE-FRE-LOW	HERMES, SNOW WHITE	1	RSH1"ESW	SA
	DA97-05175B		HERMES, I-BLACK	1	RSH1"EBP	
	DA97-05175C		HERMES, TITAN GRAY	1	RSH1"EPE	
	DA97-05175D		HERMES, MANHATTAN SILVER	1	RSH1"EMH	
	DA97-05175E		HERMES, NOBLE STS	1	RSH1"ERS	
	DA97-05175F		HERMES, INOX	1	RSH1"EIS	
3-2-1	DA67-01685A	CAP-HANDLE-FRE-LOW	JM,PC-ABS,WHITE	1	RSH1"ESW	SNA
	DA67-01685B		JM,PC-ABS,I-BLACK	1	RSH1"EBP	
	DA67-01685C		JM,PC-ABS,TITAN GRAY,PLATINUM-SILVER(SC-05010S)	1	RSH1"EPE	
	DA67-01685D		JM,PC-ABS,MANHATTAN SILVER,MANHATTAN SILVER(SC-06036S)	1	RSH1"EMH	
	DA67-01685E		JM,PC-ABS,NOBLE STS,VERSAILLES STS(SC-05061S)	1	RSH1"ERS	
	DA67-01685F		JM,PC-ABS,INOX	1	RSH1"EIS	
3-2-2	6006-001170	SCREW TAPPING	TH,M4,L12,ZPC(WHT)	1		SA
3-2-3	DA66-00448A	ROLLER LEVER LINK,A	CULLINAN,POM,NEO-VICTORY GRAY(SC-02684R),EASY-OPEN	1	RSH1"E"	SNA
3-2-4	DA81-01304A	PIN ROLLER EASY	SCP1	1	RSH1"E"	SNA
3-2-5	DA61-03408A	REINF-HANDLE-FEF-LOW	SHP1,T2.0,ZPC3-W	1	RSH1"E"	SA
3-3	DA64-02142A	HANDLE-BAR	JM,GRAY,SPRAY(VICTORY SILVER : SC-016459)	1	RSH1"EPE	SA
	DA64-02142B		JM,AL(A6063),SC-07018T(BALLENTINE BLACK)	1	RSH1"EBP	
	DA64-02142C		JM,AL(A6063),SC-05016T(SNOW WHITE)	1	RSH1"ESW	
	DA64-02142E		JM,AL(A6063),SC-06034T(INOX)	1	RSH1"EMHRSIS	
3-4	6002-001227	SCREW-TAPPING	TH,+,-,1,M4,L25,ZPC(WHT),SWRCH18A	1	RSH1"E	SA
3-5	6001-000715	SCREW-MACHINE	TH,M5,L16,ZPC(WHT),SWRCH18A	1	RSH1"E	SA
<b>O TYPE HANDLE</b>						
3	DA97-05076G	ASSY-HANDLE BAR FRE	HERMES,AL(A6063),L1637,CIRCLES,SNOW WHITE,ONE TOUCH	1	RSH1/H3"BSW	SA
	DA97-05076H		HERMES,AL(A6063),L1637,CIRCLES,I-BLACK,ONE TOUCH	1	RSH1/H3"BBP	
	DA97-05076J		HERMES,AL(A6063),L1637,CIRCLES,PLATINUM-SILVER,ONE	1	RSH1/H3"BPE	
	DA97-05076K		HERMES,AL(A6063),L1637,CIRCLES,MANHATTAN SILVER,ONE	1	RSH1/H3"BMH	
	DA97-05076L		HERMES,AL(A6063),L1637,CIRCLES,VERSAILLES STS,ONE TOUCH	1	RSH1/H3"BRS	
	DA97-05076M		HERMES,AL(A6063),L1637,CIRCLES,INOX,ONE TOUCH	1	RSH1/H3"BSIS	
3-1	DA64-02151A	HANDLE-BAR(O TYPE HANDLE)	HERMES,AL(A6063),CIRCLES,HAIRLINE,LONG	1	RSH1/H3"BSW	SA
	DA64-02151B		HERMES,AL(A6063),1633,SC-07018T(Ballentine Black),CIRCLES,HAIRLINE,LONG	1	RSH1/H3"BBP	
	DA64-02151C		HERMES,AL(A6063),1633,SC-06147T(Natural Silver),CIRCLES,HAIRLINE,LONG	1	RSH1/H3"BPE	
	DA64-02151E		HERMES,AL(A6063),1633,SC-06034T(INOX),CIRCLES,HAIRLINE,LONG	1	RSH1/H3"BMH/RSSIS	

## EXPLODED VIEW & PART LIST

### ■ Parts List of Freezer Door (RSH1/H3-Basic)

NO	CODE-NO	PART NAME	Spec	Quantity	Remark	SA/SNA
3-2	DA67-01452B	CAP-HANDLE SIDE	CORE-PJT,ABS,SILVER	1	RSH1/H3*B	SA
3-3	DA67-01810A	CAP-SUPPORT HANDLE	HERMES, SNOW WHITE	1	RSH1/H3*BSW	SA
	DA67-01810B		HERMES, I-BLACK	4	RSH1/H3*BPP	
	DA67-01810C		HERMES, PLATINUM SILVER	4	RSH1/H3*BPE	
	DA67-01810D		HERMES, MANHATTAN SILVER	4	RSH1/H3*BMH/RSIS	
3-4	DA61-03726A	SUPPORT-HANDLE	HERMES,NY66,NTR	4		SA
3-5	6009-001512	SCREW-SPECIAL	BH,+,-,M4,L16,ZPC(WHT),SWRCH18A	4		SA
3-6	DA61-03636A	STOPPER-HANDLE	CULLINAN,SK5	4		SA
<b>OVAL TYPE</b>				1	RSH1/H3*T**	
3	DA97-05074G	ASSY-HANDLE BAR FRE	HERMES,AL(A6063), L1638, ELLIPSE,SNOW WHITE,ONE TOUCH	1	RSH1/H3*BSW	SA
	DA97-05074H		HERMES,AL(A6063), L1638, ELLIPSE,I-BLACK,ONE TOUCH	1	RSH1/H3*BPP	
	DA97-05074J		HERMES,AL(A6063), L1638, ELLIPSE,PLATINUM-SILVER,ONE T	1	RSH1*BPE	
	DA97-05074K		HERMES,AL(A6063), L1638, ELLIPSE,MANHATTAN SILVER,ONE	1	RSH1*BMH	
	DA97-05074L		HERMES,AL(A6063), L1638, ELLIPSE,VERSAILLES STS,ONE TO	1	RSH1*BRS	
	DA97-05074M		HERMES,AL(A6063), L1638, ELLIPSE,INOX,ONE TOUCH	1	RSH1*BIS	
3-1	DA64-02162A	HANDLE-BAR(OVAL TYPE HANDLE)	HERMES,AL(A6063),1632,ELLIPSE, HAIRLINE	1	RSH1*BSW	SA
	DA64-02162B		HERMES,AL(A6063),1633,SC-070187T(Ballentine Black),ELLIPSE, HAIRLINE	1	RSH1*BPP	
	DA64-02162C		HERMES,AL(A6063),1633,SC-061477T(Natural Silver),ELLIPSE, HAIRLINE	1	RSH1*BPE	
	DA64-02162E		HERMES,AL(A6063),1633,SC-060347T(INOX),ELLIPSE, HAIRLINE	1	RSH1*BMH/IS	
3-2	DA67-01577D	CAP-HANDLE	CULLINAN,ABS(MP-0160),NTR,BRILLANT SILVER	1	RSH1*T**	SA
3-3	DA67-01501E	CAP-SUPPORT HANDLE	HERMES, SNOW WHITE	1	RSH1*BSW	SA
	DA67-01501F		HERMES, I-BLACK	1	RSH1*BPP	
	DA67-01501G		HERMES, PLATINUM SILVER	1	RSH1*BPE	
	DA67-01501H		HERMES, MANHATTAN SILVER	1	RSH1*BMH	
3-4	DA61-03726A	SUPPORT-HANDLE	HERMES,NY66,NTR	4		SA
3-5	6009-001512	SCREW-SPECIAL	BH,+,-,M4,L16,ZPC(WHT),SWRCH18A	4		SA
3-6	DA61-03636A	STOPPER-HANDLE	CULLINAN,SK5	4		SA
<b>SHORT-TYPE</b>				1	RSH1/H3*H**	
3	DA97-05347G	ASSY-HANDLE BAR	HERMES,ABS, L928.5, ELLIPSE,SNOW WHITE,ONE TOUCH	1	RSH1/H3*BSW	SA
	DA97-05347H		HERMES,ABS, L928.5, ELLIPSE,I-BLACK,ONE TOUCH	1	RSH1/H3*BPP	
	DA97-05347J		HERMES,ABS, L928.5, ELLIPSE,PLATINUM-SILVER,ONE TOUCH	1	RSH1/H3*BPE	
	DA97-05347K		HERMES,ABS, L928.5, ELLIPSE,MANHATTAN SILVER,ONE TOUCH	1	RSH1/H3*BMH	
	DA97-05347L		HERMES,ABS, L928.5, ELLIPSE,VERSAILLES STS,ONE TOUCH	1	RSH1/H3*BRS	
	DA97-05347M		HERMES,ABS, L928.5, ELLIPSE,INOX,ONE TOUCH	1	RSH1/H3*BIS	
3-1	DA64-02234A	HANDLE-BAR(SHORT TYPE HANDLE)	HERMES,ABS,923.5,ELLIPSE	1	RSH1/H3*BSW	SA
	DA64-02234B		HERMES-PJT,ABS,I-BLACK(SC-00477R)	1	RSH1/H3*BPP	
	DA64-02234C		HERMES-PJT,ABS,TITAN GRAY(SC-03186R)	1	RSH1/H3*BPE	
	DA64-02234F		HERMES-PJT,ABS,INOX(SC-06034R)	1	RSH1/H3*BMH/RSIS	
3-2	DA67-01577D	CAP-HANDLE	CULLINAN,ABS(MP-0160),NTR,BRILLANT SILVER	2	RSH1/H3*T**	SA
3-3	DA67-01501E	CAP-SUPPORT HANDLE	HERMES, SNOW WHITE	4	RSH1/H3*BSW	SA
	DA67-01501F		HERMES, I-BLACK	4	RSH1/H3*BPP	
	DA67-01501G		HERMES, PLATINUM SILVER	4	RSH1/H3*BPE	
	DA67-01501H		HERMES, MANHATTAN SILVER	4	RSH1/H3*BMH/RSIS	
3-4	DA61-03726A	SUPPORT-HANDLE	HERMES,NY66,NTR	4		SA
3-5	6009-001512	SCREW-SPECIAL	BH,+,-,M4,L16,ZPC(WHT),SWRCH18A	4		SA
3-6	DA61-03636A	STOPPER-HANDLE	CULLINAN,SK5	4		SA
4	DA63-03642A	GUARD-FRE TOP	HERMES PJT,PP,COOL WHITE,1PIECE	1	RSH1F/DBN	SA
5	DA63-03643A	GUARD FRE-LOW	HERMES PJT,PP,COOL WHITE,1PIECE	4	RSH1F/DBN	SA
6	DA97-05169A	ASSY-COVER CONTROL FRONT FRE	HREMES-PJT,SNOW-WHITE	1	RSH1BN/H3N*BSW	SA
	DA97-05169B		HREMES-PJT,SC-00477R(I-BLACK)	1	RSH1BN/H3N*BPP/PE/MIH/RSIS	
	DA97-05169C		HREMES-PJT,SC-97527R(SNOW WHITE),POWER COOL	1	RSH1BN/H3N*BSW	

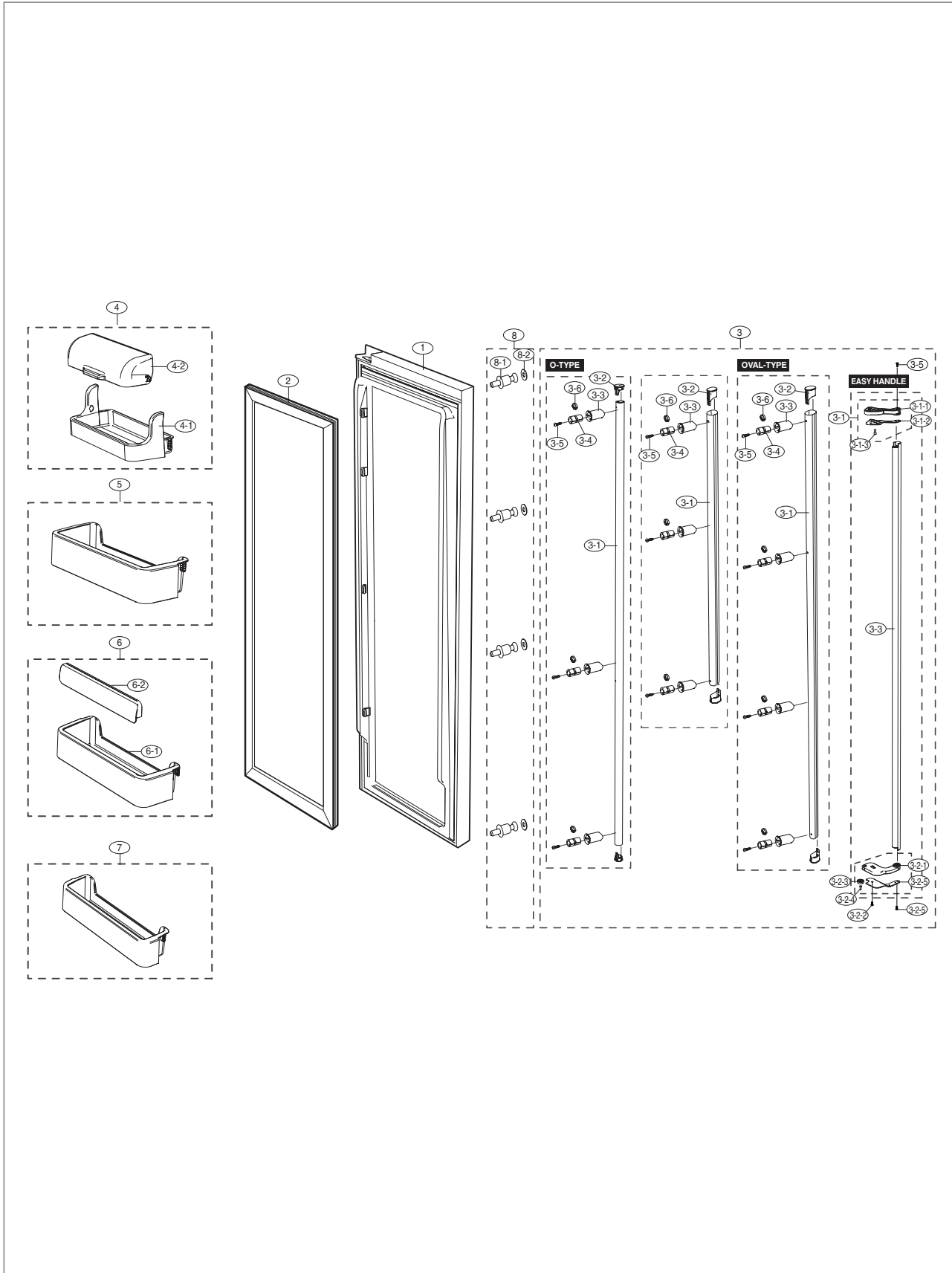
## EXPLODED VIEW & PART LIST

### ■ Parts List of Freezer Door (RSH1/H3-Basic)

NO	CODE-NO	PART NAME	Spec	Quantity	Remark	SA/SNA
	DA97-05169D		HERMES-PJT,SC-00477R(I-BLACK),POWER COOL	1	RSH1BNH3N*BP /PEMHRSIS	SA
	DA97-05169E		HERMES-PJT,SC-97527R(SNOW WHITE),China	1	RSH1S*SW	
	DA97-05169F		HERMES-PJT,SC-00477R(I-BLACK),China	1	RSH1S*BP/PEMH /RSIS	
6-1	DA63-03579A	COVER-CONTROL WINDOW FRE	HERMES,ABS,T2.0,SC-00477R(I-BLACK)	1	RSH1BNH3N*SW	SA
	DA63-03579B		HERMES,ABS,T2.0,SC-97527R(SNOW-WHITE),BAISC	1	RSH1BNH3N* BP/PEMHRSIS	
6-2	DA63-03572A	COVER-CONTROL FRONT FRE	HERMES,ACRYL,T2.0,TRP,BASIC	1	RSH1BNH3N*SW	SNA
	DA63-03572B		HERMES,ACRYL,T2.0,SC-06151R(SMOG),BASIC	1	RSH1BNH3N*BP /PEMHRSIS	
	DA63-03572C		HERMES,ACRYL,T2.0,TRP,BASIC(POWER-COOL)	1	RSH1BNH3N*SW	
	DA63-03572D		HERMES,ACRYL,T2.0,SC-06151R(SMOG),BASIC(POWER-COOL)	1	RSH1BNH3N* BP/PEMHRSIS	
	DA63-03572E		HERMES,ACRYL,T2.0,TRP,BASIC(China)	1	RSH1S*SW	
	DA63-03572F		HERMES,ACRYL,T2.0,SC-06151R(SMOG),BASIC(China)	1	RSH1S*BP/PEMH /RSIS	
6-3	DA64-02127C	BUTTON-CONTROL A	HERMES,ABS,-,-,SC-04120S(EMPIRE SILVER PLUS),DISP	2	RSH1BNH3N*SW	SA
	DA64-02127B		HERMES,ABS,SC-07010R(HERMES H SMOG),DISP	2	RSH1BNH3N* BP/PEMHRSIS	
6-4	DA64-02128C	BUTTON-CONTROL B	HERMES,ABS,-,-,SC-04120S(EMPIRE SILVER PLUS),DISP	2	RSH1BNH3N*SW	SA
	DA64-02128B		HERMES,ABS,SC-07010R(HERMES H SMOG),DISP	2	RSH1BNH3N* BP/PEMHRSIS	
6-5	DA63-03584A	GROMMET-BUTTON CONTROL A	HERMES,SILICON,T1.5,BLACK,DISP, 40°C	2	RSH1BNS,RSH3N	SA
6-6	DA41-00456B	PBA DISPLAY-LED PANEL PBA	HERMES,R-DOOR,FR-4,200*67.0*11.6,Basic, Vacation, C, Inlay Color, Silver, 12V, 5V, 5	1	RSH1BNH3N*SW	SA
	DA41-00456A		HERMES-PJT,Europe,FR-4,200*67.0*11.6,Basic, Vacation, C, 12V, 5V, 50Hz	1	RSH1BNH3N*BP /PEMHRSIS	
	DA41-00456E		HERMES,R-DOOR,FR-4,200*67.0*11.6,Basic, Power Cool, C, Silver Inlay, 12V, 5V, 50Hz	1	RSH1BNH3N*SW	
	DA41-00456D		HERMES,R-DOOR,FR-4,200*67.0*11.6,Basic, Power Cool, C, Inlay Color:Black, 12V, 5V,	1	RSH1BNH3N*BP /PEMHRSIS	
	DA41-00456G		HERMES-PJT,R-DOOR,FR-4,200*67.0*11.6,Basic, China, C, Silver Inlay, 12V, 5V, 50	1	RSH1S*SW	
	DA41-00456F		HERMES-PJT,R-DOOR,FR-4,200*67.0*11.6,Basic, China, C, Black Inlay, 12V, 5V, 50H	1	RSH1BNH3N*BP /PEMHRSIS	
6-7	DA63-03574A	COVER-PBA PANEL	HERMES,PP,T1.8,WHITE,BASIC	1	RSH1BNS,RSH3N	SA
6-8	6002-000630	SCREW-TAPPING	PH,+2S,M3,L8,ZPC(YEL)	2		SA
7	DA97-05529A	ASSY-BRACKET HANDLE	HERMES, SWRC10A	4		SA
7-1	DA61-03725A	BRACKET-HANDLE	HERMES,SWRC10A,FH, MR, L10.5,	4		SA
7-2	DA63-03840A	GROMMET-HANDLE	HERMES,SILICON,T1,NTR,DISP, 40°	4		SA

# EXPLODED VIEW & PART LIST

## 5-12) Fridge Door (RSH1/H3-Basic)



## EXPLODED VIEW & PART LIST

### ■ Parts List of Fridge Door (RSH1/H3-Basic)

NO	CODE-NO	PART NAME	Spec	Quantity	Remark	SA/SNA
1	DA91-02524A	ASSY DOOR FOAM REF	HERMES,BASIC,55mm,SW	1	RSH1	SNA
	DA91-02567A		HERMES,SW,B,T,BASIC,85mm	1	RSH3	SNA
2	DA97-04567D	ASSY-GASKET DOOR REF	SF-PVC,478X1	1		SA
3	<b>EASY HANDLE</b>			1	RSH1"E"	
3-1	DA97-05174A	ASSY-CAP-HANDLE-REF-UPP	HERMES, SNOW WHITE	1	RSH1"ESW	SA
	DA97-05174B		HERMES, I-BLACK	1	RSH1"EBP	
	DA97-05174C		HERMES, TITAN GRAY	1	RSH1"EPE	
	DA97-05174D		HERMES, MANHATTAN SILVER	1	RSH1"EMH	
	DA97-05174E		HERMES, NOBLE STS	1	RSH1"ERS	
	DA97-05174F		HERMES, INOX	1	RSH1"EIS	
3-1-1	DA67-01682A	CAP-HANDLE-REF-UPP	JM,PC-ABS,WHITE	1	RSH1"ESW	SNA
	DA67-01682B		JM,PC-ABS,I-BLACK	1	RSH1"EBP	
	DA67-01682C		JM,PC-ABS,TITAN GRAY,PLATINUM-SILVER(SC-05010S)	1	RSH1"EPE	
	DA67-01682D		JM,PC-ABS,MANHATTAN SILVER,MANHATTAN SILVER(SC-06036S)	1	RSH1"EMH	
	DA67-01682E		JM,PC-ABS,NOBLE STS,VERSAILLES STS(SC-05061S)	1	RSH1"ERS	
	DA67-01682F		JM,PC-ABS,INOX	1	RSH1"EIS	
3-1-2	DA61-03405A	REINF-HANDLE-REF-UPP	SHP1,T2.0,ZPC3-W	1	RSH1"E"	SA
3-1-3	6006-001170	SCREW-TAPPING	TH,M4,L12,ZPC(WHT)	1		SA
3-2	DA97-05176A	ASSY-CAP-HANDLE-REF-LOW	HERMES, SNOW WHITE	1	RSH1"ESW	SA
	DA97-05176B		HERMES, I-BLACK	1	RSH1"EBP	
	DA97-05176C		HERMES, TITAN GRAY	1	RSH1"EPE	
	DA97-05176D		HERMES, MANHATTAN SILVER	1	RSH1"EMH	
	DA97-05176E		HERMES, NOBLE STS	1	RSH1"ERS	
	DA97-05176F		HERMES, INOX	1	RSH1"EIS	
3-2-1	DA67-01683A	CAP-HANDLE-REF-LOW	JM,PC-ABS,WHITE	1	RSH1"ESW	SNA
	DA67-01683B		JM,PC-ABS,I-BLACK	1	RSH1"EBP	
	DA67-01683C		JM,PC-ABS,TITAN GRAY,PLATINUM-SILVER(SC-05010S)	1	RSH1"EPE	
	DA67-01683D		JM,PC-ABS,MANHATTAN SILVER,MANHATTAN SILVER(SC-06036S)	1	RSH1"EMH	
	DA67-01683E		JM,PC-ABS,NOBLE STS,VERSAILLES STS(SC-05061S)	1	RSH1"ERS	
	DA67-01683F		JM,PC-ABS,INOX	1	RSH1"EIS	
3-2-2	6006-001170	SCREW TAPPING	TH,M4,L12,ZPC(WHT)	1		SA
3-2-3	DA66-00448A	ROLLER LEVER LINK,A	CULLINAN,POM,NEO-VICTORY GRAY(SC-02684R),EASY-OPEN	1	RSH1"E"	SNA
3-2-4	DA81-01304A	PIN ROLLER EASY	SCP1	1	RSH1"E"	SNA
3-2-5	DA61-03406A	REINF-HANDLE-REF-LOW	SHP1,T2.0,ZPC3-W	1	RSH1"E"	SA
3-3	DA64-02142A	HANDLE-BAR	JM,GRAY,SPRAY(VICTORY SILVER : SC-016459)	1	RSH1"EPE	SA
	DA64-02142B		JM,AL(A6063),SC-07018T(BALLENTINE BLACK)	1	RSH1"EBP	
	DA64-02142C		JM,AL(A6063),SC-05016T(SNOW WHITE)	1	RSH1"ESW	
	DA64-02142E		JM,AL(A6063),SC-06034T(INOX)	1	RSH1"EMH/IS	
3-4	6002-001227	SCREW-TAPPING	TH,+,-,1,M4,L25,ZPC(WHT),SWRCH18A	1	RSH1"E	SA
3-5	6001-000715	SCREW-MACHINE	TH,M5,L16,ZPC(WHT),SWRCH18A	1	RSH1"E	SA
<b>O TYPE HANDLE</b>				1	RSH1H3"B"	
3	DA97-05075G	ASSY-HANDLE BAR REF	HERMES,AL(A6063), L1637, CIRCLES,SNOW WHITE,ONE TOUCH	1	RSH1/H3"BSW	SA
	DA97-05075H		HERMES,AL(A6063), L1637, CIRCLES,I-BLACK,ONE TOUCH	1	RSH1/H3"BBP	
	DA97-05075J		HERMES,AL(A6063), L1637, CIRCLES,PLATINUM-SILVER,ONE TOUCH	1	RSH1/H3"BPE	
	DA97-05075K		HERMES,AL(A6063), L1637, CIRCLES,MANHATTAN SILVER,ONE TOUCH	1	RSH1/H3"BMH	
	DA97-05075L		HERMES,AL(A6063), L1637, CIRCLES,VERSAILLES STS,ONE TOUCH	1	RSH1/H3"BRS	
3-1	DA97-05075M	HANDLE-BAR(O TYPE HANDLE)	HERMES,AL(A6063), L1637, CIRCLES,INOX,ONE TOUCH	1	RSH1/H3"BSIS	SA
	DA64-02151A		HERMES,AL(A6063),CIRCLES, HAIRLINE, LONG	1	RSH1/H3"BSW	
	DA64-02151B		HERMES,AL(A6063),1633,SC-07018T(Ballentine Black),CIRCLES, HAIRLINE, LONG	1	RSH1/H3"BBP	
	DA64-02151C		HERMES,AL(A6063),1633,SC-06147T(Natural Silver),CIRCLES, HAIRLINE, LONG	1	RSH1/H3"BPE	
	DA64-02151E		HERMES,AL(A6063),1633,SC-06034T(INOX),CIRCLES, HAIRLINE, LONG	1	RSH1/H3"BMH/RSIS	

## EXPLODED VIEW & PART LIST

### ■ Parts List of Fridge Door (RSH1/H3-Basic)

NO	CODE-NO	PART NAME	Spec	Quantity	Remark	SA/SNA
3-2	DA67-01452B	CAP-HANDLE SIDE	CORE-PJT,ABS,SILVER	1	RSH1/H3*B	SA
3-3	DA67-01810A	CAP-SUPPORT HANDLE	HERMES, SNOW WHITE	1	RSH1/H3*BSW	SA
	DA67-01810B		HERMES, I-BLACK	4	RSH1/H3*BBP	
	DA67-01810C		HERMES, PLATINUM SILVER	4	RSH1/H3*BPE	
	DA67-01810D		HERMES, MANHATTAN SILVER	4	RSH1/H3*BMH RSIS	
3-4	DA61-03726A	SUPPORT-HANDLE	HERMES,NY66,NTR	4		SA
3-5	6009-001512	SCREW-SPECIAL	BH,+,-,M4,L16,ZPC(WHT),SWRCH18A	4		SA
3-6	DA61-03636A	STOPPER-HANDLE	CULLINAN,SK5	4		SA
<b>OVAL TYPE</b>				1	RSH1/H3**	
3	DA97-05073G	ASSY-HANDLE BAR REF	HERMES,AL(A6063), L1638, ELLIPSE,SNOW WHITE,ONE TOUCH	1	RSH1/H3*BSW	SA
	DA97-05073H		HERMES,AL(A6063), L1638, ELLIPSE,I-BLACK,ONE TOUCH	1	RSH1/H3*BBP	
	DA97-05073J		HERMES,AL(A6063), L1638, ELLIPSE,PLATINUM-SILVER,ONE TOUCH	1	RSH1/H3*BPE	
	DA97-05073K		HERMES,AL(A6063), L1638, ELLIPSE,MANHATTAN SILVER,ONE TOUCH	1	RSH1/H3*BMH	
	DA97-05073L		HERMES,AL(A6063), L1638, ELLIPSE,VERSAILLES STS,ONE TOUCH	1	RSH1/H3*BRS	
	DA97-05073M		HERMES,AL(A6063), L1638, ELLIPSE,INOX,ONE TOUCH	1	RSH1/H3*BIS	
3-1	DA64-02162A	HANDLE-BAR(OVAL TYPE HANDLE)	HERMES,AL(A6063),1632,ELLIPSE, HAIRLINE	1	RSH1/H3*BSW	SA
	DA64-02162B		HERMES,AL(A6063),1633,SC-07018T(Ballenteine Black),ELLIPSE, HAIRLINE	1	RSH1/H3*BBP	
	DA64-02162C		HERMES,AL(A6063),1633,SC-06147T(Natural Silver),ELLIPSE, HAIRLINE	1	RSH1/H3*BPE	
	DA64-02162E		HERMES,AL(A6063),1633,SC-06034T(INOX),ELLIPSE, HAIRLINE	1	RSH1/H3*BMH RSIS	
3-2	DA67-01577D	CAP-HANDLE	CULLINAN,ABS(MP-0160),NTR,BRILLANT SILVER	1	RSH1/H3**	SA
3-3	DA67-01501E	CAP-SUPPORT HANDLE	HERMES, SNOW WHITE	1	RSH1/H3*BSW	SA
	DA67-01501F		HERMES, I-BLACK	1	RSH1/H3*BBP	
	DA67-01501G		HERMES, PLATINUM SILVER	1	RSH1/H3*BPE	
	DA67-01501H		HERMES, MANHATTAN SILVER	1	RSH1/H3*BMH RSIS	
3-4	DA61-03726A	SUPPORT-HANDLE	HERMES,NY66,NTR	4		SA
3-5	6009-001512	SCREW-SPECIAL	BH,+,-,M4,L16,ZPC(WHT),SWRCH18A	4		SA
3-6	DA61-03636A	STOPPER-HANDLE	CULLINAN,SK5	4		SA
<b>SHORT-TYPE</b>				1	RSH1/H3**	
3	DA97-05347G	ASSY-HANDLE BAR	HERMES,ABS, L928.5, ELLIPSE,SNOW WHITE,ONE TOUCH	1	RSH1/H3*BSW	SA
	DA97-05347H		HERMES,ABS, L928.5, ELLIPSE,I-BLACK,ONE TOUCH	1	RSH1/H3*BBP	
	DA97-05347J		HERMES,ABS, L928.5, ELLIPSE,PLATINUM-SILVER,ONE TOUCH	1	RSH1/H3*BPE	
	DA97-05347K		HERMES,ABS, L928.5, ELLIPSE,MANHATTAN SILVER,ONE TOUCH	1	RSH1/H3*BMH	
	DA97-05347L		HERMES,ABS, L928.5, ELLIPSE,VERSAILLES STS,ONE TOUCH	1	RSH1/H3*BRS	
	DA97-05347M		HERMES,ABS, L928.5, ELLIPSE,INOX,ONE TOUCH	1	RSH1/H3*BIS	
3-1	DA64-02234A	HANDLE-BAR(SHORT TYPE HANDLE)	HERMES,ABS,923.5,ELLIPSE	1	RSH1/H3*BSW	SA
	DA64-02234B		HERMES-PJT,ABS,I-BLACK(SC-00477R)	1	RSH1/H3*BBP	
	DA64-02234C		HERMES-PJT,ABS,TITAN GRAY(SC-03186R)	1	RSH1/H3*BPE	
	DA64-02234F		HERMES-PJT,ABS,INOX(SC-06034R)	1	RSH1/H3*BMH RSIS	
3-2	DA67-01577D	CAP-HANDLE	CULLINAN,ABS(MP-0160),NTR,BRILLANT SILVER	2	RSH1/H3**	SA
3-3	DA67-01501E	CAP-SUPPORT HANDLE	HERMES, SNOW WHITE	4	RSH1/H3*BSW	SA
	DA67-01501F		HERMES, I-BLACK	4	RSH1/H3*BBP	
	DA67-01501G		HERMES, PLATINUM SILVER	4	RSH1/H3*BPE	
	DA67-01501H		HERMES, MANHATTAN SILVER	4	RSH1/H3*BMH RSIS	
3-4	DA61-03726A	SUPPORT-HANDLE	HERMES,NY66,NTR	4		SA
3-5	6009-001512	SCREW-SPECIAL	BH,+,-,M4,L16,ZPC(WHT),SWRCH18A	4		SA
3-6	DA61-03636A	STOPPER-HANDLE	CULLINAN,SK5	4		SA
4	DA97-04963B	ASSY GUARD-DAIRY	HERMES PJT,HERMES,50mm	1		SA
4-1	DA63-03533B	GUARD-DAIRY	HERMES PJT,HIPS/HG-1760SF,T2.5,55mm	1		SA
4-2	DA63-03534A	COVER-GUARD DAIRY	GPSS,T2.5	1		SA
5	DA63-03639A	GUARD-REF TOP	HERMES PJT,PP,COOL WHITE,1 PIECE	1	RSH1FD/BN	SA
6	DA97-05262A	ASSY GUARD-REF MID	HERMES PJT,HERMES_1-PIECE	1	RSH1FD/BN	SA

## EXPLODED VIEW & PART LIST

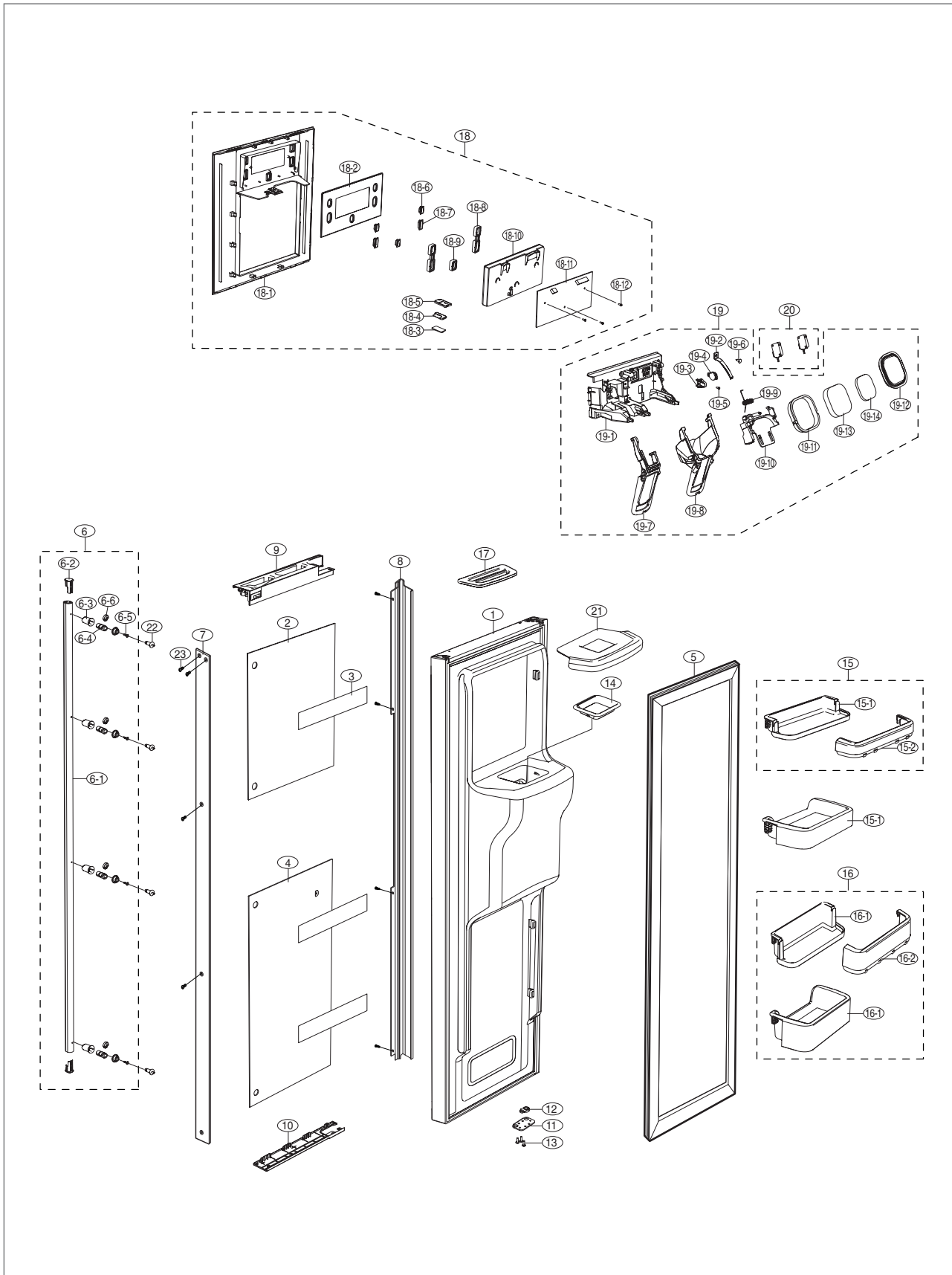
### ■ Parts List of Fridge Door (RSH1/H3-Basic)

NO	CODE-NO	PART NAME	Spec	Quantity	Remark	SA/SNA
6-1	DA63-03640A	GUARD REF-MID	HERMES PJT,PP,COOL WHITE,1 PIECE	1	RSH1FD/BN	SA
6-2	DA61-03601B	GUIDE-BOTTLE REF	HERMES,PP,T2.5,COOL-WHITE	1	RSH1FD/BN	SA
7	DA63-03641A	GUARD-REF LOW	HERMES PJT,PP,COOL WHITE,1-PIECE	1	RSH1FD/BN	SA
8	DA97-05529A	ASSY-BRACKET HANDLE	HERMES, SWRC10A	4		SA
8-1	DA61-03725A	BRACKET-HANDLE	HERMES,SWRC10A,FH, MR, L10.5,	4		SA
8-2	DA63-03840A	GROMMET-HANDLE	HERMES,SILICON,T1,NTR,DISP, 40°	4		SA



# EXPLODED VIEW & PART LIST

## 5-13) Freezer Door (RSH1-TRIMKIT)



## EXPLODED VIEW & PART LIST

### ■ Parts List of Freezer Door (RSH1-TRIMKIT)

NO	CODE-NO	PART NAME	Spec	Quantity	Remark	SA/SNA
1	DA91-02631A	ASSY-DOOR FOAM FRE	HERMES,TRIMKIT, BLACK,230V	1	RSH1K*	SA
	DA91-02631B		HERMES,TRIMKIT, TULIP RED WINE,230	1	RSH1K*AW	SA
	DA91-02631C		HERMES,TRIMKIT, BLACK, 127V	1	RSH1K*	SA
	DA91-02631D		HERMES,TRIMKIT, TULIP RED WINE,127V	1	RSH1K*AW	SA
2	DA67-01845A	GLASS DOOR FRE UPP	HERMES, TRIMKIT, ALU BLACK	1	RSH1K*BG	SA
	DA67-01845A		HERMES, TRIMKIT, ANDRE WINE 2	1	RSH1K*AW	SA
	DA67-01845A		HERMES, TRIMKIT, BLACK MIRROR	1	RSH1K*MR	SA
3	DA62-00919C	SEAL CUTT FOAM PE	CULLINAN, FOAM-PE	3	RSH1K	SNA
4	DA67-01844A	GLASS DOOR FRE LOW	HERMES, TRIMKIT, ALU BLACK	1	RSH1K*BG	SA
	DA67-01844A		HERMES, TRIMKIT, ANDRE WINE 2	1	RSH1K*AW	SA
	DA67-01844A		HERMES, TRIMKIT, BLACK MIRROR	1	RSH1K*MR	SA
5	DA97-04567C	ASSY-GASKET DOOR FRE	SF-PVC,332X1586, VICTORY,GRAY	1	RSH1K*AW	SA
	DA97-04567N		SF-PVC,332X1586, LUXUTY,BLACK	1	RSH1K*	
<b>CICLE TYPE HANDLE</b>						
6	DA97-05733B	ASSY-HANDLE BAR FRE	HERMES,AL(A6063), L1654.5,CICLE,I BLACK,ONE TOUCH	1	RSH1K*	SA
	DA97-05773A		HERMES,AL(A6063), L1654.5, CICLE,BRILLIANT GOLD,ONE TOUCH	1	RSH1K*AW	
6-1	DA64-02368B	HANDLE-BAR(B TYPE HANDLE)	HERMES,AL(A6063), L1654.5, CICLE,I BLACK,ONE TOUCH	1	RSH1K*	SA
	DA64-02368A		HERMES,AL(A6063), L1654.5, CICLE, BRILLIANT GOLD,ONE TOUCH	1	RSH1K*AW	
6-2	DA67-01452B	CAP-HANDLE	CULLINAN,ABS(MP-0160),NTR,BRILLANT SILVER	2	RSH1K*	SA
	DA67-01452A		CULLINAN,ABS(MP-0161),NTR,BRILLANT GOLD	2	RSH1K*AW	SA
6-3	DA67-01810B	CAP-SUPPORT HANDLE	HERMES, BRILLIANT SILVER	4	RSH1K*	SA
	DA67-01810G		HERMES, BRILLIANT GOLD	4	RSH1K*AW	
6-4	DA97-03655B	ASSY SCREW TAPPING	CULLINAN,PWH,+,1,M4,L20	4	RSH1K*	SA
6-5	6009-001512	SCREW-SPECIAL	BH,+,-,M4,L16,ZPC(WHT),SWRCH18A	4	RSH1K*	SA
6-6	DA61-03636A	STOPPER-HANDLE	CULLINAN,SK5	4	RSH1K*	SA
7	DA97-04705C	ASSY CHASSIS DOOR OUT FRE	CULLINAN,-,-,-, BALLENTINE BLACK,50mm	1	RSH1K*	SA
	DA97-04705A		CULLINAN,-,-,-, BRILLIANT GOLD,50mm	1	RSH1K*AW	SA
8	DA97-04701C	ASSY CHASSIS DOOR IN FRE	CULLINAN,-,-,-, BALLENTINE BLACK,50mm	1	RSH1K*	SA
	DA97-04701A		CULLINAN,-,-,-, BRILLIANT GOLD,50mm	1	RSH1K*AW	SA
9	DA97-05670A	ASSY CHASSIS DOOR TOP FRE	HERMES,-,-,-,EMPIRE BLACK,50mm	1	RSH1K*	SA
	DA97-05670B		CULLINAN,-,-,-, BRILLIANT GOLD,50mm	1	RSH1K*AW	SA
10	DA97-04703C	ASSY CHASSIS DOOR LOW FRE	CULLINAN,-,-,-,EMPIRE BLACK,50mm	1	RSH1K*	SA
	DA97-04703A		CULLINAN,-,-,-, BRILLIANT GOLD,50mm	1	RSH1K*AW	SA
11	DA61-00564A	STOPPER DOOR	SHP1,BLK,SRT689	1	RSH1K*	SA
12	DA66-00344A	CAM HINGE RISER, LOW	NY66	1	RSH1K*	SA
13	6001-000715	SCREW MACHINE	TH,M5xL16,ZPC(YEL),MSWR10	4	RSH1K*	SA
14	DA67-01667A	CAP-CHUTE ICE	HERMES,ABS,T1.8,SC-02740R(COOL-WHITE),DISP, 55mm	1	RSH1K*	SA
15	DA97-04967B	ASSY GUARD FRE-TOP	2 PIECE TYPE(GPPS+HIPS)	1	RSH1K*	SA
15-1	DA63-03541B	GUARD-FRE TOP	HERMES PJT,ABS,T2.5,COOL WHITE(SC02740R),HERMES,55mm	1	RSH1K*	SA
	DA63-03642A		HERMES PJT,PP,COOL WHITE,1PIECE		RSH1D*	
15-2	DA63-03542A	COVER-GUARD FRE TOP	HERMES PJT,GPPS/HF2660S,T3.0,TRANSPARENCY,HERMES,55mm	1	RSH1K*	SA
16	DA97-04968B	ASSY GUARD FRE-LOW	2 PIECE TYPE(GPPS+HIPS)	2	RSH1K*	SA
16-1	DA63-03554B	GUARD FRE-LOW	HERMES PJT,ABS,T2.5,COOL WHITE(SC02740R),HERMES,55mm	2	RSH1K*	SA
	DA63-03643A		HERMES PJT,PP,COOL WHITE,1PIECE	2	RSH1D*	SA
16-2	DA63-03553A	COVER-GUARD FRE LOW	HERMES PJT,GPPS/HF2660S,T3.0,TRANSPARENCY,HERMES,55mm	2	RSH1K*	SA
17	DA63-03580B	TRAY DISPENSER	HERMES,ABS,T2.5,SC-00477R(I-BLACK),DISP	1	RSH1KL*	SA
	DA63-03580J		HERMES,ABS,T2.5,SC-06152R(TULIP RED WINE),DISP	1	RSH1KLAW	
18	DA97-05665A	ASSY-COVER DISPENSER	HREMES-PJT,EMPIRE BLACK,VACATION,BLUE LED,K/J OPTION	1	RSH1KL*	SA
	DA97-05665B		HREMES-PJT,ANDRE WINE 2,VACATION,BLUE LED,K/J OPTION	1	RSH1KLAW	
	DA97-05665C		HREMES-PJT,EMPIRE BLACK,VACATION,BLUE LED,F/D OPTION	1	RSH1F*	
	DA97-05665D		HREMES-PJT,ANDRE WINE 2,VACATION,BLUE LED,F/D OPTION	1	RSH1F*AW	

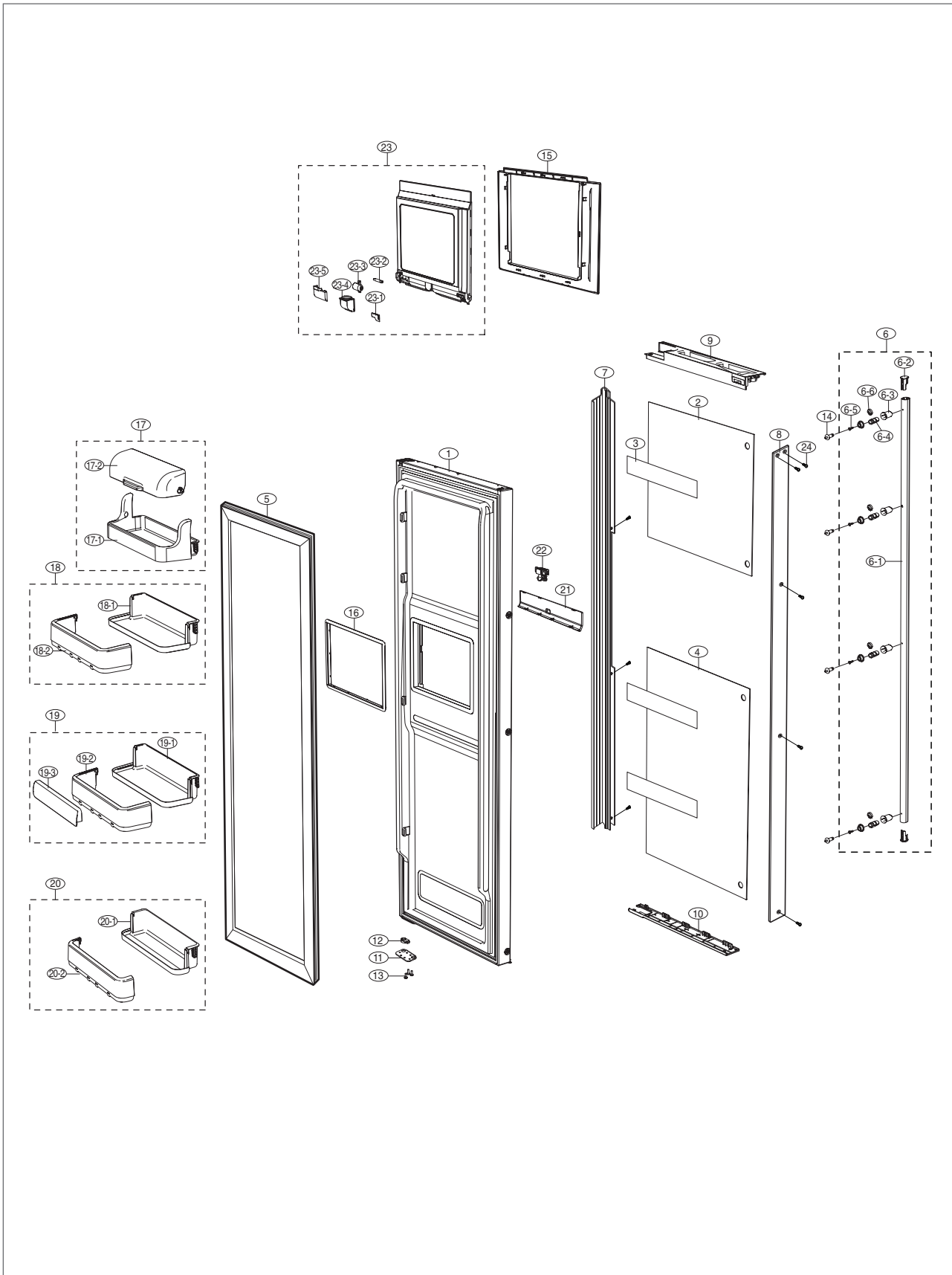
## EXPLODED VIEW & PART LIST

### ■ Parts List of Freezer Door (RSH1-TRIMKIT)

NO	CODE-NO	PART NAME	Spec	Quantity	Remark	SA/SNA
	DA97-05665E		HERMES-PJT,EMPIRE BLACK,POWER COOL,BLUE LED,K/J OPTION	1	RSH1K*	
	DA97-05665F		HERMES-PJT, ANDRE WINE 2, POWER COOL, BLUE LED, K/J OPTION	1	RSH1K*AW	
	DA97-05665G		HERMES-PJT, EMPIRE BLACK, POWER COOL, BLUE LED, F/D OPTION	1	RSH1F*	
	DA97-05665H		HERMES-PJT, ANDRE WINE 2, POWER COOL, BLUE LED, F/D OPTION	1	RSH1F*AW	
18-1	DA63-03875A	COVER-DISPENSER	HERMES,ABS,T2.0,EMPIRE BLACK(SC-04119S),DISP	1	RSH1K*	SA
	DA63-03875B		HERMES,ABS,T2.0,ANDRE WINE 2(SC-06134S)	1	RSH1K*AW	
18-2	DA63-03573B	COVER-CONTROL, WINDOW FRE(DISP)	HERMES,ACRYL,T2.0,SC-06151R(SMOG),VACATION, K/J OPTION	1	RSH1K	SA
	DA63-03573D		HERMES,ACRYL,T2.0,SC-06151R(SMOG),VACATION, F/D OPTION	1	RSH1F	
	DA63-03573G		HERMES,ACRYL,T2.0,SC-06151R(SMOG), POWER COOL, K/J OPTION	1	RSH1K	
	DA63-03573J		HERMES,ACRYL,T2.0,SC-06151R(SMOG), POWER COOL, F/D OPTION	1	RSH1F	
	DA63-03573L		HERMES,ACRYL,T2.0,SC-06151R(SMOG),CHINA	1	RSH1K	
18-3	DA67-01012A	CAP-LAMP,PCB	AD,ABS,T1.8,SC-97527R	1	RSH1K	SNA
18-4	DA41-00217B	ASSY-LAMP,PBA(NEXT)	E-PEL,DOOR FRE,FR-1,31*17,DISPENSER LAMP,12V,60HZ	1	RSH1K	SNA
18-5	DA63-02101A	GASKET-LAMP,PCB	AD,SILICON,T0.5,NTR,DISP	1	RSH1K	SNA
18-6	DA64-02127B	BUTTON-CONTROL A	HERMES,ABS,SC-07010R(HERMES H SMOG),DISP	2	RSH1K	
18-7	DA64-02128B	BUTTON-CONTROL B	HERMES,ABS,SC-07010R(HERMES H SMOG),DISP	3	RSH1K	
18-8	DA63-03584A	GROMMET-BUTTON CONTROL A	HERMES,SILICON,T1.5,BLACK,DISP, 40°Δ	2	RSH1K	SA
18-9	DA63-03585A	GROMMET-BUTTON CONTROL B	HERMES,SILICON,T1.5,BLACK,DISP,40°Δ	1	RSH1K	SA
18-10	DA63-03576B	COVER-PBA PANEL	HERMES,PP,T1.8,NTR,DISP	1	RSH1K	SA
18-11	DA41-00455C	PBA DISPLAY-LED PANEL PBA	HERMES-PJT,R-DOOR,FR-4,200*86.0*11.6,Dispenser+CoolZone,Vacation,C,Inlay Color	1	RSH1D	SA
	DA41-00455A		HERMES-PJT,Europe,FR-4,200*86.0*11.6,Dispenser,C,room, Vacation, C,1	1	RSH1K	
	DA41-00455D		HERMES-PJT,R-DOOR,FR-4,200*86.0*11.6,Dispenser,Vacation,C,Inlay Color,Silver,1	1	RSH1D	
	DA41-00455B		HERMES-PJT,Europe,FR-4,200*86.0*11.6,Dispenser, Vacation, C,12V, 5V,	1	RSH1K	
18-12	6002000630	SCREW-TAPPING	PH,+,-,2S,M3,L8,ZPC(WHT),SWRCH18A	2	RSH1K	SA
19	DA97-02050L	ASSY-COVER PCB PANEL REAR	A-TOP 06,EXP(BBY06),i-BLACK	1	RSH1K	SA
19-1	DA63-03259A	COVER-PCB PANEL, REAR	A-TOP 06,ABS(HG-0760H),EXP,i-BLACK	1	RSH1K	SA
19-2	DA61-01616A	SPRING-LEVER DISP WATER	SK5, T0.5	2	RSH1K	SA
19-3	DA61-01868A	BRACKET-OIL DAMPER	ABS,SC-93437	4	RSH1K	SA
19-4	DA61-01869A	DAMPER-OIL	POM,120g/Cm,OD15	4	RSH1K	SA
19-5	6002-000630	SCREW-TAPPING	PH,+,-,2S,M3,L8,ZPC(YEL)	1	RSH1K	SA
19-6	6002-000473	SCREW-TAPPING	TH,+,-,M4,L14,PASS,STS304	1	RSH1K	SA
19-7	DA66-00454A	LEVER DISPENSER-WATER	JM,PC,T2.5,CRYSTAL,DISP	1	RSH1K	SNA
19-8	DA66-00453A	LEVER DISPENSER-ICE	JM,PC,T2.5,CRYSTAL,DISP	1	RSH1K	SNA
19-9	DA61-01651A	SPRING-COVER ICE ROUTE	AD,STS304,1.0,6.6	4	RSH1K	SNA
19-10	DA63-01970A	COVER-ICE ROUTE A	ABS,T2.5,BL	1	RSH1K	SNA
19-11	DA63-01971A	COVER-ICE ROUTE B	ABS,T1.8,BL	1	RSH1K	SNA
19-12	DA63-03375A	GASKET-COVER ICE ROUTE	A-TOP,AD,ET,SEBS,DISP,BLACK	1	RSH1K	SNA
19-13	DA62-00058E	SEAL-COVER ICE,ROUTE	FOAM-LEX,WHITE	1	RSH1K	SNA
19-14	DA62-00058F	SEAL-COVER ICE,ROUTE	FOAM-LEX,WHITE	1	RSH1K	SNA
20	DA34-00011A	SWITCH-MICRO	VP533A-OF-5,MICRO,250V,15A,	1	RSH1K	SA
21	DA63-03729B	GUARD-FRE SUB	HERMES,ABS,T2.0	1	RSH1K	SA
22	DA61-03634A	BRACKET-HANDLE	NEXT T/K,SBHG1,-,L10.5,-,M5,SNC2	4	RSH1K	SA
23	6002-001122	SCREW TAPPING	FH,M4xL14, ZPC(WHITE)	18	RSH1K	SA

# EXPLODED VIEW & PART LIST

## 5-14) Fridge Door (RSH1-TRIMKIT)



## EXPLODED VIEW & PART LIST

### ■ Parts List of Fridge Door (RSH1-TRIMKIT)

NO	CODE-NO	PART NAME	Spec	Quantity	Remark	SA/SNA
1	DA91-02630A	ASSY DOOR FOAM REF	HERMES,TRIMKIT, BLACK,230V	1	RSH1L	SA
	DA91-02630B		HERMES,TRIMKIT, TULIP RED WINE,230	1	RSH1KLAW	SA
	DA91-02630C		HERMES,TRIMKIT, BLACK, 127V		RSH1K	
	DA91-02630D		HERMES,TRIMKIT, TULIP RED WINE,127V		RSH1K	
2	DA67-01846A	GLASS DOOR REF UP	HERMES, TRIMKIT, ALU BLACK	1	RSH1KLBG	SA
	DA67-01846A		HERMES, TRIMKIT, ANDRE WINE 2	1	RSH1KLAW	SA
	DA67-01846A		HERMES, TRIMKIT, BLACK MIRROR	1	RSH1KLMR	SA
3	DA62-00919B	SEAL CUTT FOAM PE	CULLINAN, FOAM-PE	3	RSH1K	SNA
4	DA67-01847A	GLASS DOOR REF LOW	HERMES, TRIMKIT, ALU BLACK	1	RSH1KBG	SA
	DA67-01847A		HERMES, TRIMKIT, ANDRE WINE 2	1	RSH1KAW	SA
	DA67-01847A		HERMES, TRIMKIT, BLACK MIRROR	1	RSH1KMR	SA
5	DA97-04567D	ASSY-GASKET DOOR REF	SF-PVC,469X1586, SEMI GRAY	1	RSH1* <sup>L</sup> AW	SA
	DA97-04567P	ASSY-GASKET DOOR REF	SF-PVC, 469X1586, BLACK	1	RSH1DLBGM	SA
<b>CIRCLE TYPE HANDLE</b>						
6	DA97-05733B	ASSY-HANDLE BAR REF	HERMES,AL,(A6063), L1654.5, CIRCLE,  BLACK,ONE TOUCH	1	RSH1K*	SA
	DA97-05733A		HERMES,AL,(A6063), L1654.5, CIRCLE,BRILLIANT GOLD,ONE TOUCH	1	RSH1K* <sup>AW</sup>	
6-1	DA64-02368B	HANDLE-BAR(B TYPE HANDLE)	HERMES,AL,(A6063), L1654.5, CIRCLE,BALLENTINE BLACK,ONE TOUCH	1	RSH1K*	SA
	DA64-02368A		HERMES,AL,(A6063), L1654.5, CIRCLE,BRILLIANT GOLD,ONE TOUCH	1	RSH1K* <sup>AW</sup>	
6-2	DA67-01452B	CAP-HANDLE	CULLINAN,ABS(MP-0160),NTR,BRILLANT SILVER	2	RSH1K*	SA
	DA67-01452A		CULLINAN,ABS(MP-0161),NTR,BRILLANT GOLD	2	RSH1K* <sup>AW</sup>	SA
6-3	DA67-01810B	CAP-SUPPORT HANDLE	HERMES, BRILLIANT SILVER	4	RSH1K*	SA
	DA67-01810G		HERMES, BRILLIANT GOLD	4	RSH1K* <sup>AW</sup>	
6-4	DA97-03655B	ASSY SCREW TAPPING	CULLINAN,PWH,+,1,M4,L20	4	RSH1K*	SA
6-5	6009-001512	SCREW-SPECIAL	BH,+,-,M4,L16,ZPC(WHT),SWRCH18A	4	RSH1K*	SA
6-6	DA61-03636A	STOPPER-HANDLE	CULLINAN,SK5	4	RSH1K*	SA
7	DA97-04706C	ASSY CHASSIS DOOR OUT REF	CULLINAN,-,-,-, BALLENTINE BLACK,50mm	1	RSH1K*	SA
	DA97-04706A		CULLINAN,-,-,-, BRILLIANT GOLD,50mm	1	RSH1K* <sup>AW</sup>	SA
8	DA97-04702C	ASSY CHASSIS DOOR IN REF	CULLINAN,-,-,-, BALLENTINE BLACK,50mm	1	RSH1K*	SA
	DA97-04702A		CULLINAN,-,-,-, BRILLIANT GOLD,50mm	1	RSH1K* <sup>AW</sup>	SA
9	DA97-05671A	ASSY CHASSIS DOOR TOP REF	HERMES,-,-,-,EMPIRE BLACK,50mm	1	RSH1K*	SA
	DA97-05671B		CULLINAN,-,-,-, BRILLIANT GOLD,50mm	1	RSH1K* <sup>AW</sup>	SA
10	DA97-04704C	ASSY CHASSIS DOOR LOW REF	CULLINAN,-,-,-,EMPIRE BLACK,50mm	1	RSH1K	SA
	DA97-04704A		CULLINAN,-,-,-, BRILLIANT GOLD,50mm	1	RSH1K* <sup>AW</sup>	SA
11	DA61-00564A	STOPPER DOOR	SHP1,BLK,SRT689	1	RSH1K	SA
12	DA66-00344A	CAM HINGE RISER, LOW	NY66	1	RSH1K	SA
13	6001-000715	SCREW MACHINE	TH,M5xL16,ZPC(YEL),MSWR10	4	RSH1K	SA
14	DA61-03634A	BRACKET-HANDLE	NEXT T/K,SBHG1,-,-,L10.5,-,M5,SNC2	4	RSH1K	SA
15	DA63-03732H	COVER BRACKET FRAME	HERMES,ABS,EMPIRE BLACK(SC-04119S)	1	RSH1K*	SA
	DA63-03732A		HERMES,ABS,ANDRE WINE 2(SC-06134S)	1	RSH1K* <sup>AW</sup>	SA
16	DA64-02136A	TRIM-CASE BRACKET OUT	PP,310.8,COOL-WHITE,HM-DOOR	1	RSH1K*	SA
17	DA97-04963B	ASSY GUARD-DAIRY	HERMES PJT,HERMES,55mm	1	RSH1K*	SA
17-1	DA63-03533B	GUARD-DAIRY	HERMES PJT,HIPS/HG-1760SF,T2.5,55mm	1	RSH1K*	SA
17-2	DA63-03534A	COVER-GUARD DAIRY	HERMES PJT,GPPS/HF2660S,T2.5,TRANSPARENCE,HERMES,55mm	1	RSH1K*	SA
18	DA97-04964B	ASSY GUARD-REF TOP	HERMES PJT,HERMES,55mm	1	RSH1K*	SA
18-1	DA63-03536B	GUARD-REF TOP	HERMES PJT,ABS,T2.5,COOL WHITE(SC02740R),HERMES,55mm	1	RSH1K*	SA
18-2	DA63-03537A	COVER-GUARD REF TOP	HERMES PJT,GPPS/HF2660S,T3.0,TRANSPARENCE,HERMES,55mm		RSH1K*	SA
19	DA97-04965B	ASSY-GUARD REF MID	HERMES PJT,HERMES,55mm	1	RSH1K*	SA
19-1	DA63-03538B	GUARD REF-MID	HERMES PJT,ABS,T2.5,COOL WHITE(SC02740R),HERMES,55mm	1	RSH1K*	SA
19-2	DA63-03537A	COVER-GUARD REF TOP	HERMES PJT,GPPS/HF2660S,T3.0,TRANSPARENCE,HERMES,55mm	1	RSH1K*	SA
19-3	DA61-03601B	GUIDE-BOTTLE REF	HERMES,PP,T2.5,COOL-WHITE	1	RSH1*	SA
20	DA97-04966B	ASSY GUARD-REF LOW	HERMES PJT,HERMES,55mm	1	RSH1*	SA

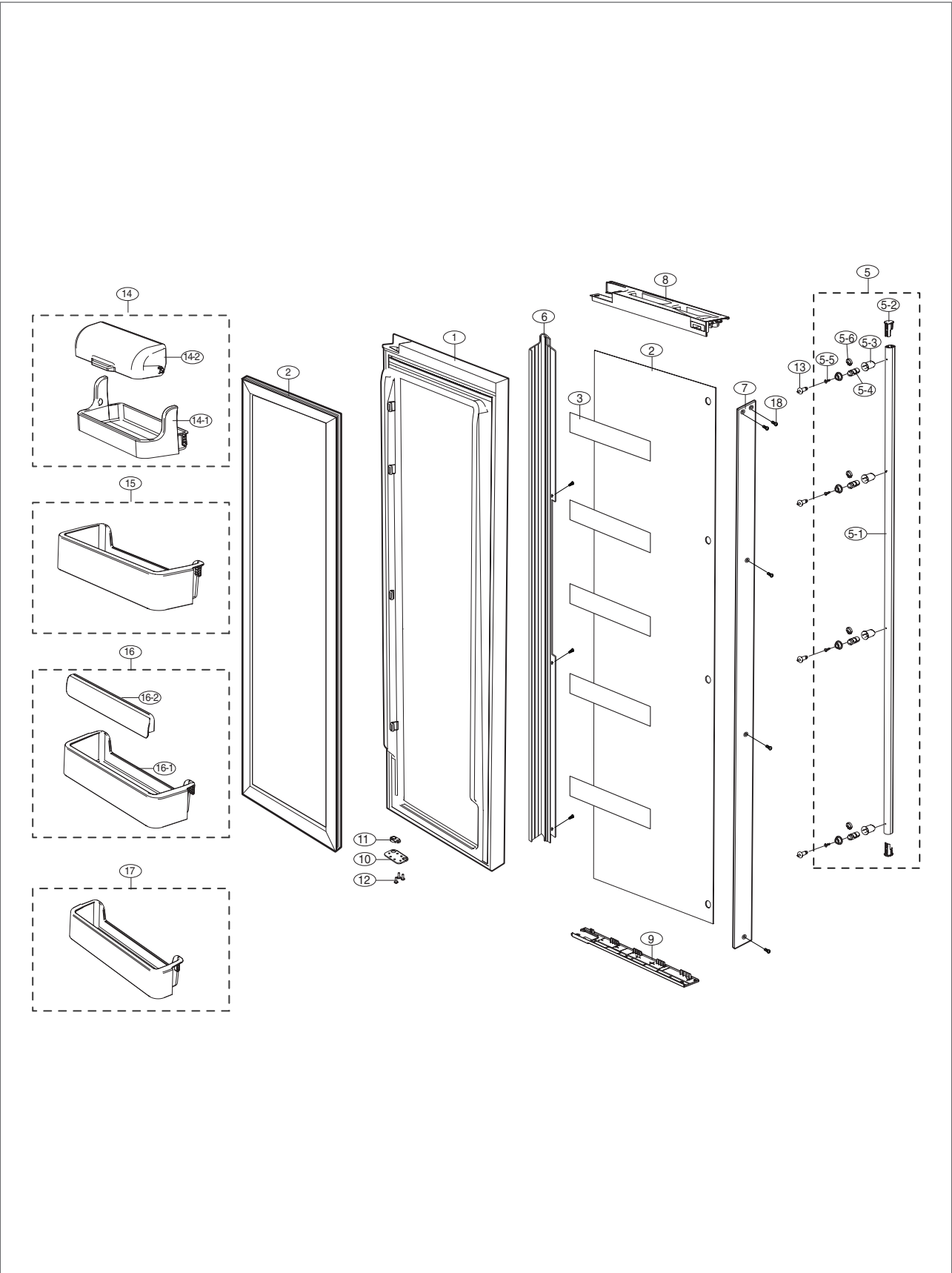
## EXPLODED VIEW & PART LIST

### ■ Parts List of Fridge Door (RSH1-TRIMKIT)

NO	CODE-NO	PART NAME	Spec	Quantity	Remark	SA/SNA
20-1	DA63-03540B	GUARD-REF LOW	HERMES PJT,ABS,T2.5,COOL WHITE(SC02740R),HERMES,55mm	1	RSH1K*	SA
20-2	DA63-03539A	COVER-GUARD REF LOW	HERMES PJT,GPPS/HF2660S,T3.0,TRANSPARENCE,HERMES,55mm	1	RSH1K*	SA
21	DA64-02343A	TRIM-CASE BRACKET FRONT	HERMES,TRIMKIT, NEO VICTORY GRAY	1	RSH1K*	SA
22	DA97-05083B	ASSY-LATCH	HERME-PJT,POM, BLK	1	RSH1K*	SA
23	DA97-05705A	ASSY-HOME BAR FOAM	HERMES,ABS,EMPIRE BLACK(SC-04119S)	1	RSH1K*	SA
	DA97-05705B		HERMES,ABS,ANDRE WINE 2(SC-06134S)	1	RSH1K*AW	
23-1	DA63-03820F	COVER HOMEBAR LF	HERMES,TRIMKIT, NEO VICTORY GRAY	1	RSH1K*	SA
23-2	DA66-00205A	SHAFT-DMAPER HOMBAR	STS304,48.4,??,	1	RSH1K*	SA
23-3	DA97-03956C	ASSY-DAMPER HOME BAR	CULLINAN	1	RSH1K*	SA
23-4	DA67-01842A	CAP HOMEBAR LOW	HERMES,TRIMKIT, BLACK	1	RSH1K*	SA
23-5	DA67-01841A	CAP-OIL DAMPER	HERMES,TRIMKIT, BLACK	1	RSH1K*	SA
24	6002-001122	SCREW TAPPING	FH,M4xL14, ZPC(WHITE)	20	RSH1K*	SA

# EXPLODED VIEW & PART LIST

## 5-15) Fridge Door (RSH1-TRIMKIT-Basic)



## EXPLODED VIEW & PART LIST

### ■ Parts List of Fridge Door (RSH1-TRIMKIT-Basic)

NO	CODE-NO	PART NAME	Spec	Quantity	Remark	SA/SNA
1	DA91-02632A	ASSY DOOR FOAM REF	HERMES,TRIMKIT, ALL	1	RSH1DL*	SA
2	DA67-01855A	GLASS DOOR REF	HERMES, TRIMKIT, ALU BLACK	1	RSH1DLBG	SA
	DA67-01855B		HERMES, TRIMKIT, ANDRE WINE 2	1	RSH1DLAW	SA
	DA67-01855C		HERMES, TRIMKIT, BLACK MIRROR	1	RSH1DLMR	SA
	DA62-00919B		SEAL CUTT FOAM PE	CULLINAN, FOAM-PE	5	RSH1DL*
4	DA97-04567D	ASSY-GASKET DOOR REF	SF-PVC,469X1586,SEMI GRAY		RSH1DLAW	
	DA97-04567P	ASSY-GASKET DOOR REF	SF-PVC,469X1586,BLACK	1	RSH1DLBGMR	SA
<b>CIRCLE TYPE HANDLE</b>						
6	DA97-05733B	ASSY-HANDLE BAR REF	HERMES,AL(A6063), L1654.5, CIRCLE,BALLENTINE BLACK,ONE TOUCH	1	RSH1DLBGMR	SA
	DA97-05733A		HERMES,AL(A6063), L1654.5, CIRCLE,BRILLIANT GOLD,ONE TOUCH	1	RSH1DLAW	
6-1	DA64-02368B	HANDLE-BAR(B TYPE HANDLE)	HERMES,AL(A6063), L1654.5, CIRCLE,BALLENTINE BLACK,ONE TOUCH	1	RSH1DLBGMR	SA
	DA64-02368A		HERMES,AL(A6063), L1654.5, CIRCLE,BRILLIANT GOLD,ONE TOUCH	1	RSH1DLAW	
6-2	DA67-01452B	CAP-HANDLE	CULLINAN,ABS(MP-0160),NTR,BRILLANT SILVER	2	RSH1DLBGMR	SA
	DA67-01452A		CULLINAN,ABS(MP-0161),NTR,BRILLANT GOLD	2	RSH1DLAW	SA
6-3	DA67-01810B	CAP-SUPPORT HANDLE	HERMES, I-BLACK	1	RSH1DLBGMR	SA
	DA67-01810G		HERMES, BRILLIANT GOLD	4	RSH1DLAW	
6-4	DA97-03655B	ASSY SCREW TAPPING	CULLINAN,PWH,+,1,M4,L20	4	RSH1DL*	SA
6-5	6009-001512	SCREW-SPECIAL	BH,+,M4,L16,ZPC(WHT),SWRCH18A	4	RSH1DL*	SA
6-6	DA61-03636A	STOPPER-HANDLE	CULLINAN,SK5	4	RSH1DL*	SA
7	DA97-04706C	ASSY CHASSIS DOOR OUT REF	CULLINAN,,-,-,BALLENTINE BLACK,50mm	1	RSH1DLBGMR	SA
	DA97-04706A		CULLINAN,,-,-,BRILLIANT GOLD,50mm	1	RSH1DLAW	SA
8	DA97-04702C	ASSY CHASSIS DOOR IN REF	CULLINAN,,-,-,BALLENTINE BLACK,50mm	1	RSH1DLBGMR	SA
	DA97-04702A		CULLINAN,,-,-,BRILLIANT GOLD,50mm	1	RSH1DLAW	SA
9	DA97-05671A	ASSY CHASSIS DOOR TOP REF	HERMES,,-,-,EMPIRE BLACK,50mm	1	RSH1DLBGMR	SA
	DA97-05671B		CULLINAN,,-,-,BRILLIANT GOLD,50mm	1	RSH1DLAW	SA
10	DA97-04704C	ASSY CHASSIS DOOR LOW REF	CULLINAN,,-,-,EMPIRE BLACK,50mm	1	RSH1DLBGMR	SA
	DA97-04704A		CULLINAN,,-,-,BRILLIANT GOLD,50mm	1	RSH1DLAW	SA
11	DA61-00564A	STOPPER DOOR	SHP1,BLK,SRT689	1	RSH1DL*	SA
12	DA66-00344A	CAM HINGE RISER, LOW	NY66	1	RSH1DL*	SA
13	6001-000715	SCREW MACHINE	TH,M5xL16,ZPC(YEL),MSWR10	3	RSH1DL*	SA
14	DA61-03634A	BRACKET-HANDLE	NEXT T/K,SBHG1,-,L10.5,-,M5,SNC2	4	RSH1DL*	SA
17	DA97-04963B	ASSY GUARD-DAIRY	HERMES PJT,HERMES,55mm	1	RSH1DL*	SA
17-1	DA63-03533B	GUARD-DAIRY	HERMES PJT,HIPS/HG-1760SF,T2.5,55mm	1	RSH1DL*	SA
17-2	DA63-03534A	COVER-GUARD DAIRY	HERMES PJT,GPPS/HF2660S,T2.5,TRANSPARENCE,HERMES,55mm	1	RSH1DL*	SA
18	DA63-03639A	GUARD-REF TOP	HERMES PJT,PP,COOL WHITE,1 PIECE	1	RSH1DL*	SA
19	DA97-05262A	ASSY-GUARD REF MID	HERMES PJT,HERMES,55mm	1	RSH1DL*	SA
19-1	DA63-03640A	GUARD REF-MID	HERMES PJT,PP,COOL WHITE,1 PIECE	1	RSH1DL*	SA
19-2	DA61-03601B	GUIDE-BOTTLE REF	HERMES,PP,T2.5,COOL-WHITE	1	RSH1DL*	SA
20	DA63-03641A	GUARD-REF LOW	HERMES PJT,PP,COOL WHITE,1-PIECE	1	RSH1DL*	SA
21	6002-001122	SCREW TAPPING	FH,M4xL14, ZPC(WHITE)	20	RSH1DL*	SA