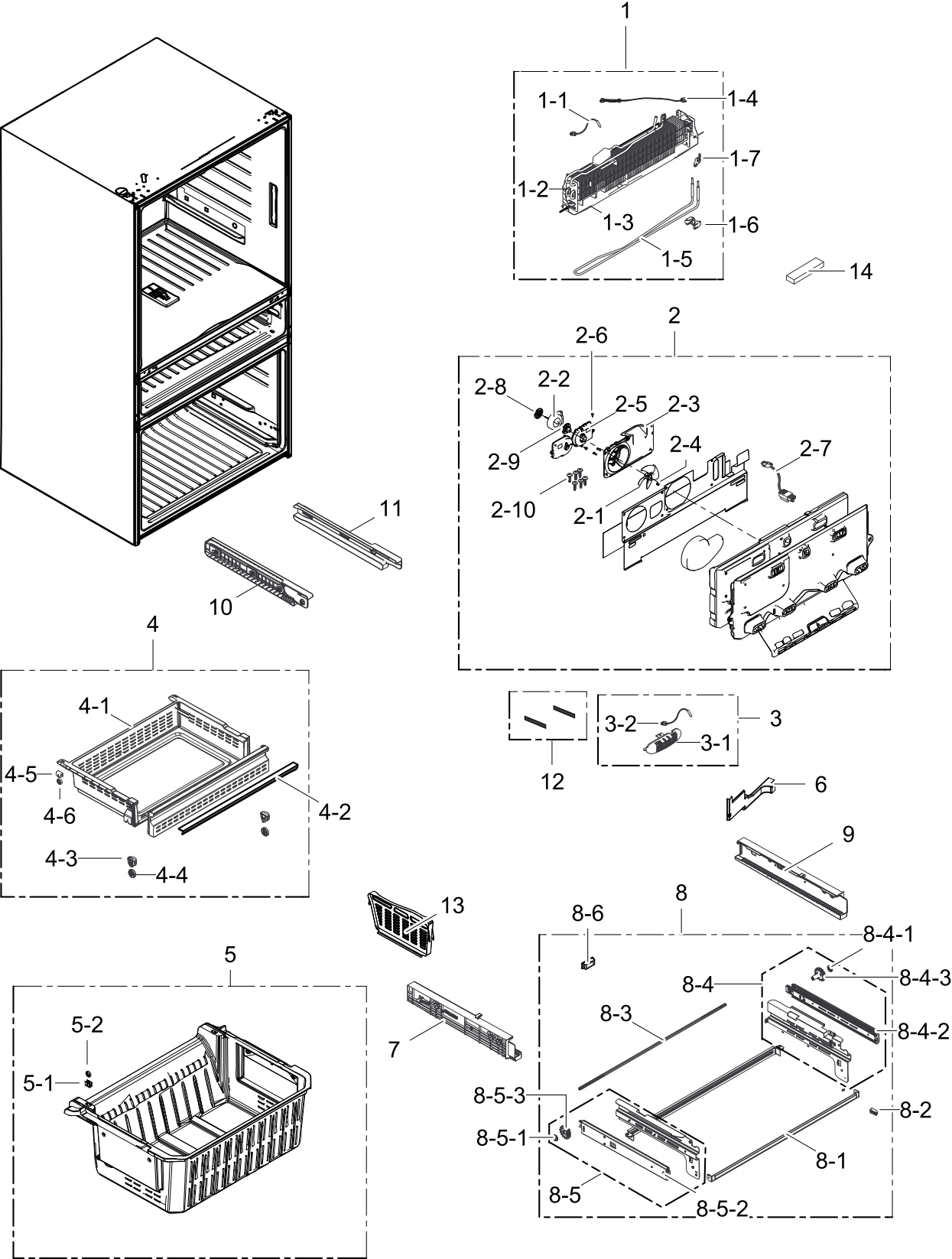


1. Freezer

Exploded View



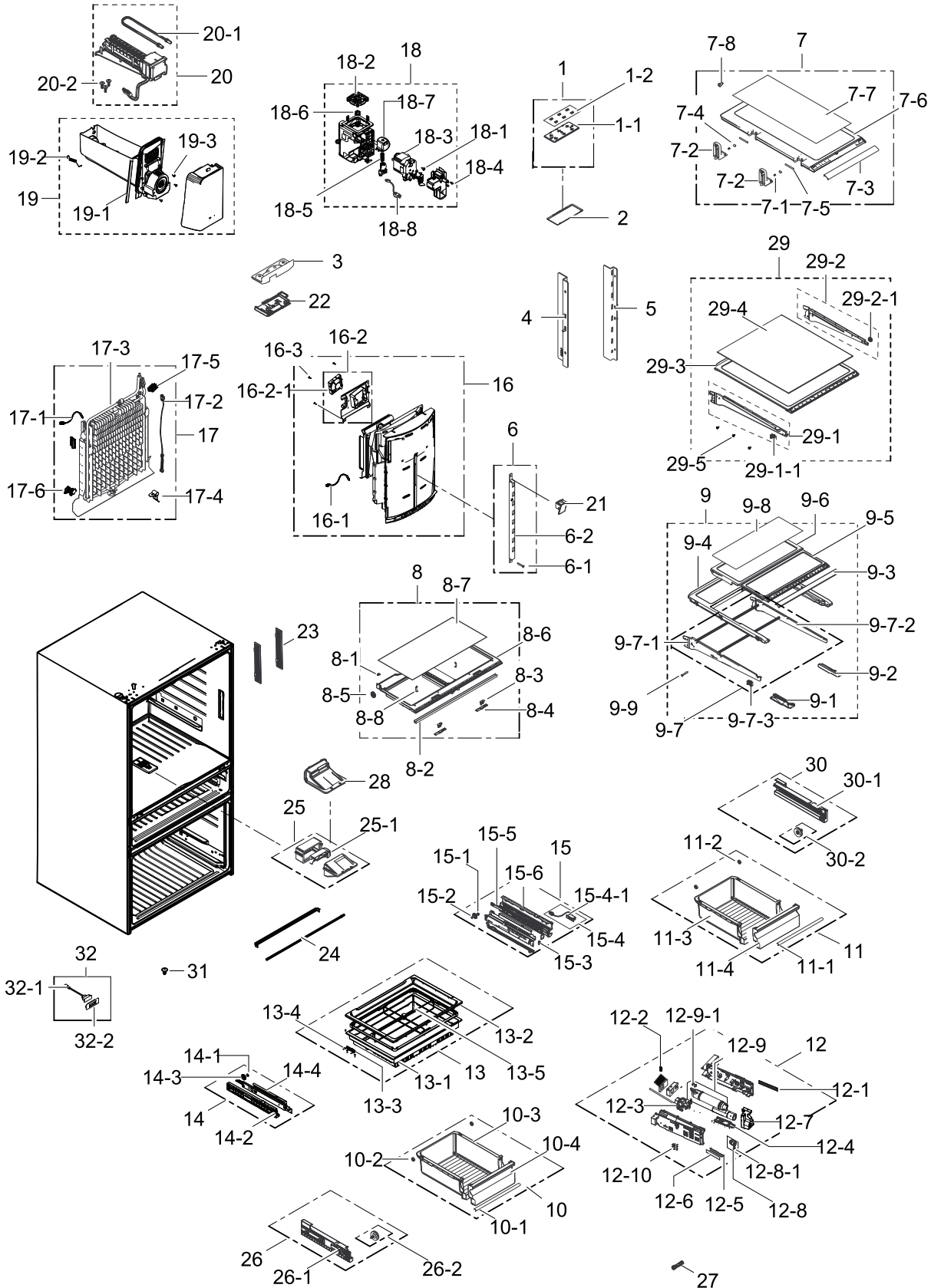
Parts List

No.	Lvl.	Loc.	Material Code	Description & Specification	SNA	Qty.
1	2	RF011	DA96-00631E	ASSY EVAP-FRE; AW4-4D,230V,230W	SA	1
1-1	3	RK716	DA32-10104N	SENSOR TEMP; DKST1329GW,AW3,-50~805V,	SA	1
1-2	3	RF326	DA59-00400A	EVAP FRE; Fin Tube,AW3	SNA	1
1-3	3	RO363	DA61-05842A	PLATE-DRAIN FRE; AW3-PJT,GL-SAZCC,T0.3	SNA	1
1-4	3	RR341	DA47-00301B	THERMO FUSE-ASSY; AC250V,10A,109~110S	SA	1
1-5	3		DA47-00318L	HEATER METAL SHEATH; AC230V,AW4-4D FRE, 2	SA	1
1-6	3	RK201	DA61-05845A	FIXER-HEATER FRE; AW3-PJT,PBT,NATURAL,VB-	SA	1
1-7	3		DA61-06182A	FIXER-SENSOR FRE; AW3-PJT,PP,NATURAL,BJ75	SA	1
2	2	RF005	DA97-08434E	ASSY COVER EVAP-FRE; AW4-4D	SA	1
2-1	3	RR030	DA31-00124A	FAN-AX100W4CC-T1; -,TD-PJT,ABS,-,-	SA	1
2-2	3	RR087	DA31-00146H	MOTOR BLDC; DREP5020LC,2950,12V,175mA,2.1	SC	1
2-3	3	RY523	DA61-05867B	CASE MOTOR-FRE; AW3,HIPS,NTR	SA	1
2-4	3	RR053	DA61-20128A	SPRING ETC-FAN; STS304,PI8.8,ID7.8,OD9.8,	SA	1
2-5	3	RF455	DA63-01809B	COVER MOTOR-BLDC; AT,PP,HB,GRAY,CNTK-P-10	SA	1
2-6	3	RR066	DA63-40167A	GROMMET-COVER CHIL; SI,L16,WHITE	SA	1
2-7	3	RR928	DA96-00042D	ASSY WIRE HARNESS-MOTOR; ALL,12VDC,ALL,UL	SA	1
2-8	3	RO138	DA63-01146A	GROMMET-MOTOR,REAR; A-TOP,NBR,BLACK,BLDC	SA	1
2-9	3	RO545	DA63-01808A	GROMMET MOTOR; BLDC,NBR,BLACK,H20	SA	1
2-10	3	RR009	6002-000215	SCREW-TAPPING; TH,+,NO,1,M4,L16,ZPC(WHT),	SA	9
3	4		DA97-08608A	ASSY COVER-SENSOR FRE; AW3	SNA	1
3-1	5	RF103	DA63-05470B	COVER SENSOR-FRE; AW3,HIPS,NTR	SA	1
3-2	5	RK705	DA32-00033C	SENSOR TEMP; DKST1329GW,AW,-50~805V,-	SA	1
4	2		DA97-13773A	ASSY TRAY-FRE UP; AW4-4D (C/D),FDR	SA	1
4-1	3		DA63-07499A	TRAY-FRE UP; AW4-4D (C/D),HIPS,COOL WHITE	SNA	1
4-2	3		DA64-03862F	TRIM-TRAY FRE; AW4,HIPS,S834S1,COOL WHITE	SA	1
4-3	3	RF155	DA61-04154A	FIXER-ROLLER TRAY FRE UPP; AW-PJT,PA,1.8,	SA	2
4-4	3	RF151	DA66-00554A	ROLLER-TRAY FRE UPP; AW-PJT,POM,NATURAL,P	SA	2
4-5	3	RR250	DA71-20277A	FIXER-ROLLER; SR-62,PA66,T2.0	SA	2
4-6	3	RR069	DA66-10104A	ROLLER-FRE; POM,-,-,D22,-,-,	SC	2
5	2	RI057	DA97-13774A	ASSY TRAY-FRE LOW; AW4-4D (C/D),FDR	SA	1
5-1	3	RR250	DA71-20277A	FIXER-ROLLER; SR-62,PA66,T2.0	SA	2

No.	Lvl.	Loc.	Material Code	Description & Specification	SNA	Qty.
5-2	3	RR069	DA66-10104A	ROLLER-FRE; POM,-,-,D22,-,-,	SC	2
6	2		DA63-07496A	COVER AIR-WIRE HARNESS ICE; AW4 CD,HIPS,C	SA	1
7	2	RI223	DA63-04942A	COVER-RAIL LOW L; AW2 CD,ABS,-,-,-,-,CO	SA	1
8	2		DA97-13782A	ASSY HANGER-LOW; AW4-4D (C/D),FDR	SA	1
8-1	3		DA61-08526A	REINF-HANGER FRONT; AW4,EGI-SECC,T1.6,COO	SA	1
8-2	3		DA63-06739A	COVER-FIXER MAGNET; MOUTON,HIPS,COOL WHIT	SA	1
8-3	3	RI244	DA66-00437F	SHAFT-GEAR; AW4,SM25C,715.1,BLACK Electro	SA	2
8-4	3		DA97-13775A	ASSY RAIL-LOW RIGHT; AW4-4D (C/D),FDR	SA	1
8-4-1	4	RR040	DA61-03154A	FIXER-GEAR; AW-PJT,POM,-,NTR,-	SA	1
8-4-2	4	RI185	DA61-08819A	RAIL-SLIDE LOW R; AW2-CD,SCP1,ZPC2,ASSY	SA	1
8-4-3	4	RR381	DA66-00750A	GEAR-RAIL R; AW-PJT,POM,NTR	SA	1
8-5	3		DA97-13777A	ASSY RAIL-LOW LEFT; AW4-4D (C/D),FDR	SA	1
8-5-1	4	RR040	DA61-03154A	FIXER-GEAR; AW-PJT,POM,-,NTR,-	SA	1
8-5-2	4	RI184	DA61-08818A	RAIL-SLIDE LOW L; AW2-CD,SCP1,ZPC2,ASSY	SA	1
8-5-3	4	RR382	DA66-00751A	GEAR-RAIL L; AW-PJT,POM,NTR	SA	1
8-6	3	RY482	DA61-02738A	MAGNET-ASS'Y; CORE-PJT,Strontium ferrite,	SA	1
9	2	RI224	DA63-04941A	COVER-RAIL LOW R; AW2 CD,ABS,-,-,-,-,CO	SA	1
10	3		DA61-09208A	RAIL-FRE UP LEFT; AW4-4D,HIPS,NATURAL,S83	SA	1
11	3		DA61-09204A	RAIL-FRE UP RIGHT; AW4-4D,HIPS,NATURAL,S8	SA	1
12	4	RK394	DA41-00519Q	ASSY LAMP LED; 3ea,CEM-1,170*10,WHITE,SMA	SA	2
13	2		DA61-09233A	GUIDE-FRE; AW4-4D (C/D),PP,HB,BJ750,COOL	SA	1
14	2	RH855	DA72-60040W	SEAL-CUTT RUBBER; TD-PJT,BUTYL RUBBER,BLA	SA	1

2. Refrigerator

Exploded View



Parts List

No.	Lvl.	Loc.	Material Code	Description & Specification	SNA	Qty.
1	2	RI246	DA97-12606B	ASSY CASE LAMP-REF; AW4, LONG LED	SA	1
1-1	3	RI544	DA61-08236A	CASE LAMP-REF; OPUS1-14, HIPS, NATURAL, S834	SNA	1
1-2	3		DA41-00676K	ASSY LAMP LED; 5, CEM-1, 240*10, WHITE, SMAW2	SA	2
2	2	RG025	DA63-07816A	COVER LAMP-REF; OPUS1-14, GPPS, HB, TP BLUE,	SA	1
3	2	RI211	DA61-04285A	GUIDE-FRENCH; OPUS1-14, ABS+PC, HB, HR-1008B	SA	1
4	2	RI300	DA61-05898A	ANGLE-SHELF REF SIDE L; GI-SGCC, T2.5, COOL	SA	1
5	2	RI301	DA61-05897A	ANGLE-SHELF REF SIDE R; GI-SGCC, T2.5, COOL	SA	1
6	2		DA97-13844B	ASSY ANGLE SHELF-REF MIDDLE; OPUS1-14	SA	1
6-1	3	RR128	6002-001397	SCREW-TAPPING; TH, +, -, B, M4, L8, ZPC(WHT), SW	SA	1
6-2	3		DA61-09166B	ANGLE SHELF-REF MIDDLE; CR-SPCC, T2.5, COOL	SNA	1
7	2	RI492	DA97-13836A	ASSY SHELF FOLDER; AW4-CD	SA	1
7-1	3		DA61-03705A	SPRING ETC-HINGE SHELF; AW BEST, STS304,	SA	2
7-2	3		DA61-08215A	BRACKET-HINGE SHELF; OPUS1-14, PC, COOL WHI	SNA	2
7-3	3		DA64-04223A	TRIM-SHELF INSERT REF FOLD; AW4, STS304, -,	SNA	1
7-4	3		DA66-00482A	ROLLER-HINGE-SHELF; AW-PJT, POM, 6, WHT	SA	2
7-5	3		DA66-00483A	SHAFT-HINGE-SHELF; AW-PJT, STS304, 38, 4.0, -	SA	2
7-6	3		DA67-03693A	SHELF FOLDER; AW4-4D, PP, COOL WHITE, AW4-CD	SA	1
7-7	4		DA01-00887A	GLASS-SHELF REF FOLD; GLASS	SA	1
7-8	3	RR128	6002-001397	SCREW-TAPPING; TH, +, -, B, M4, L8, ZPC(WHT), SW	SA	1
8	2	RI543	DA97-13840A	ASSY COVER VEG-REF; AW4-CD	SA	1
8-1	3	RI208	DA61-03166A	FIXER-COVER VEG; AW, POM, WHITE, HB, K300	SA	2
8-2	3	RI209	DA61-04292A	REINF-COVER VEG; AW2-PJT, PO-SPHC, T2.0	SA	1
8-3	3	RI262	DA64-04173A	KNOB-HUMIDITY; AW4, ABS, NATURAL, Chromium P	SA	2
8-4	3	RR164	DA66-00718A	LEVER-HUMIDITY; AW3, HIPS, COOL WHITE(SC-03	SA	2
8-5	3		DA97-15997A	ASSY ROLLER; RF9000JC, 24	SA	2
8-6	3		DA63-07497A	COVER VEG-REF; AW4-4D, HIPS, COOL WHITE, HG-	SA	1
8-7	3	RO868	DA01-00891A	GLASS; GLASS	SNA	1
8-8	3		DA61-10523A	CASE LOCK-A; RF9000JC, POM, Natural, K300	SA	2

Exploded Views and Parts List

No.	Lvl.	Loc.	Material Code	Description & Specification	SNA	Qty.
9	2		DA97-13834A	ASSY SHELF FOLDER-REF; AW4-CD,SLIDE IN	SA	1
9-1	3		DA61-09300A	SUPPORT RAIL-LEFT; AW4-4D,ABS,HG-0760GP,C	SA	1
9-2	3		DA61-09299A	SUPPORT RAIL-RIGHT; AW4-4D,ABS,HG-0760GP,	SA	1
9-3	3		DA64-04222A	TRIM-SHELF QUICK SPACE; AW4,STS304,-,T0.4	SA	1
9-4	3		DA67-03696A	SHELF-REAR; AW4-4D,PP,COOL WHITE,AW4-CD	SA	1
9-5	3		DA67-03713A	SHELF-FRONT; AW4-4D,PP,COOL WHITE,AW4-F/S	SA	1
9-6	3		DA67-03698A	SHELF-MIDDLE; AW4-4D,PP,COOL WHITE,AW-CD	SA	1
9-7	3		DA97-13832A	ASSY SHELF HANGER-RIGHT; AW4-CD	SA	1
9-7-1	4		DA61-09197A	HANGER-LOW LEFT; AW4-CD,EGI-SECC,T2.0	SA	1
9-7-2	4		DA61-09195A	HANGER-LOW RIGHT; AW4-CD,EGI-SECC,T2.0	SA	1
9-7-3	4	RO337	DA61-09550A	FIXER; AW2-14,POM,WHITE,HB,K-300	SA	1
9-8	4		DA01-00894A	GLASS-SHELF REF MIDDLE; GLASS	SNA	1
9-9	3	RR128	6002-001397	SCREW-TAPPING; TH,+,-,B,M4,L8,ZPC(WHT),SW	SA	1
10	2		DA97-13842B	ASSY CASE VEG-LEFT; AW4-CD	SA	1
10-1	3		DA64-03862R	TRIM COVER-REF; AW4-CD,HIPS,S834S1,COOL W	SA	1
10-2	3		DA97-15998A	ASSY ROLLER; RF9000JC,29	SA	2
10-3	3		DA61-09161A	CASE VEG-REF LEFT; AW4-4D,GPPS,NATURAL,HF	SA	1
10-4	3		DA63-07552A	COVER VEG-FRONT LEFT; AW4-CD,GPPS,NATURAL	SA	1
11	2		DA97-13841B	ASSY CASE VEG-RIGHT; AW4-CD	SA	1
11-1	3		DA64-03862Q	TRIM COVER-REF; AW4-CD,HIPS,S834S1,COOL W	SA	1
11-2	3		DA97-15998A	ASSY ROLLER; RF9000JC,29	SA	2
11-3	3		DA61-09160A	CASE VEG-REF RIGHT; AW4-4D,GPPS,NATURAL,H	SA	1
11-4	3		DA63-07553A	COVER VEG-FRONT RIGHT; AW4-4D,GPPS,NATURA	SA	1
12	2		DA97-14528E	ASSY CASE FILTER; AW4-CD,220V 60Hz	SA	1
12-1	3	RK396	DA41-00519S	ASSY LAMP LED; 1ea*2PBA,CEM-1,65*10,WHITE	SA	1
12-2	3		DA62-03103A	TUBE-FITTING L; AW33,POM,GRAY	SA	1
12-3	3	RO521	DA62-04027B	VALVE WATER; AC220-240V,230,2WAY,L-Wire,1	SNA	1
12-4	3	RI538	DA63-05407A	TRAY-WATER FILTER; AW3,HIPS,NATURAL	SA	1
12-5	3	RI539	DA63-05408B	COVER-LED FILTER; AW3,GPPS,NTR	SA	2

No.	Lvl.	Loc.	Material Code	Description & Specification	SNA	Qty.
12-6	3	RU024	DA63-05928A	COVER-SEAL LED; AW3,PET,T0.5,TRANSPARENT	SA	2
12-7	3	RI537	DA63-06885A	COVER-FILTER TANK; AW4,HIPS,W72.4,L167.7,	SA	1
12-8	3		DA97-08006H	ASSY CASE FILTER; AW4-CD	SA	1
12-8-1	4	RR094	DA61-04522A	CLIP-FITTING LOCK; AW,POM	SA	2
12-9	3		DA97-13854A	ASSY TANK WATER-REF; AW4-CD,PP	SNA	1
12-9-1	4	RR094	DA61-04522A	CLIP-FITTING LOCK; AW,POM	SA	2
12-10	3	RR012	6002-000471	SCREW-TAPPING; TH,+,-,1,M4,L12,PASS,STS30	SA	6
13	2		DA97-13814A	ASSY CASE CONVERTIBLE; AW4-4D C/D,FDR	SA	1
13-1	3		DA61-09162A	CASE CONVERTIBLE; AW4-CD,HIPS,COOL WHITE,	SA	1
13-2	3		DA63-07489A	COVER CONVERTIBLE; AW4-CD,HIPS,COOL WHITE	SA	1
13-3	3		DA61-09409A	BRACKET DIVIDER; AW4-4D,ABS,COOL WHITE,VE	SA	4
13-4	3		DA66-00876A	ROLLER-DIVIDER; AW3,POM,NATURAL,13.5	SA	16
13-5	4		DA61-09333A	GUIDE TRAY-LOW; AW4-4D CD,STS204,NATURAL,	SA	1
14	2		DA97-13779A	ASSY RAIL-MIDDLE LEFT; AW4-4D (C/D),FDR	SA	1
14-1	3	RR040	DA61-03154A	FIXER-GEAR; AW-PJT,POM,-,NTR,-	SA	1
14-2	3		DA63-07515A	COVER RAIL-MIDDLE LEFT; AW4-CD,ABS,COOL W	SA	1
14-3	3	RR382	DA66-00751A	GEAR-RAIL L; AW-PJT,POM,NTR	SA	1
14-4	3	RI184	DA61-08818A	RAIL-SLIDE LOW L; AW2-CD,SCP1,ZPC2,ASSY	SA	1
15	2		DA97-13778A	ASSY RAIL-MIDDLE RIGHT; AW4-4D (C/D),FDR	SA	1
15-1	3	RR040	DA61-03154A	FIXER-GEAR; AW-PJT,POM,-,NTR,-	SA	1
15-2	3	RR381	DA66-00750A	GEAR-RAIL R; AW-PJT,POM,NTR	SA	1
15-3	3	RY482	DA61-02738A	MAGNET-ASS'Y; CORE-PJT,Strontium ferrite,	SA	1
15-4	3		DA96-00640B	ASSY WIRE HARNESS-RAIL; ALL,12VDC,ALL,UL,	SA	1
15-4-1	4	RY001	DA34-00043H	SWITCH REED; 13mm,UL1007 AWG 22,100,HOOK	SA	1
15-5	3	RI185	DA61-08819A	RAIL-SLIDE LOW R; AW2-CD,SCP1,ZPC2,ASSY	SA	1
15-6	3		DA63-07514A	COVER RAIL-MIDDLE RIGHT; AW4-CD,ABS,COOL	SA	1
16	2	RI008	DA97-13757A	ASSY COVER EVAP-REF; AW4-4D	SA	1
16-1	3	RI139	DA32-00011D	SENSOR TEMP; DKST1329GW,TD-PJT,-50~80,5V,	SA	1
16-2	3		DA97-13756A	ASSY CASE MOTOR-REF; AW4-4D	SA	1
16-2-1	4		DA31-00287A	MOTOR BLDC FAN; 33507%,12V,0.16A,1.92W,	SC	1

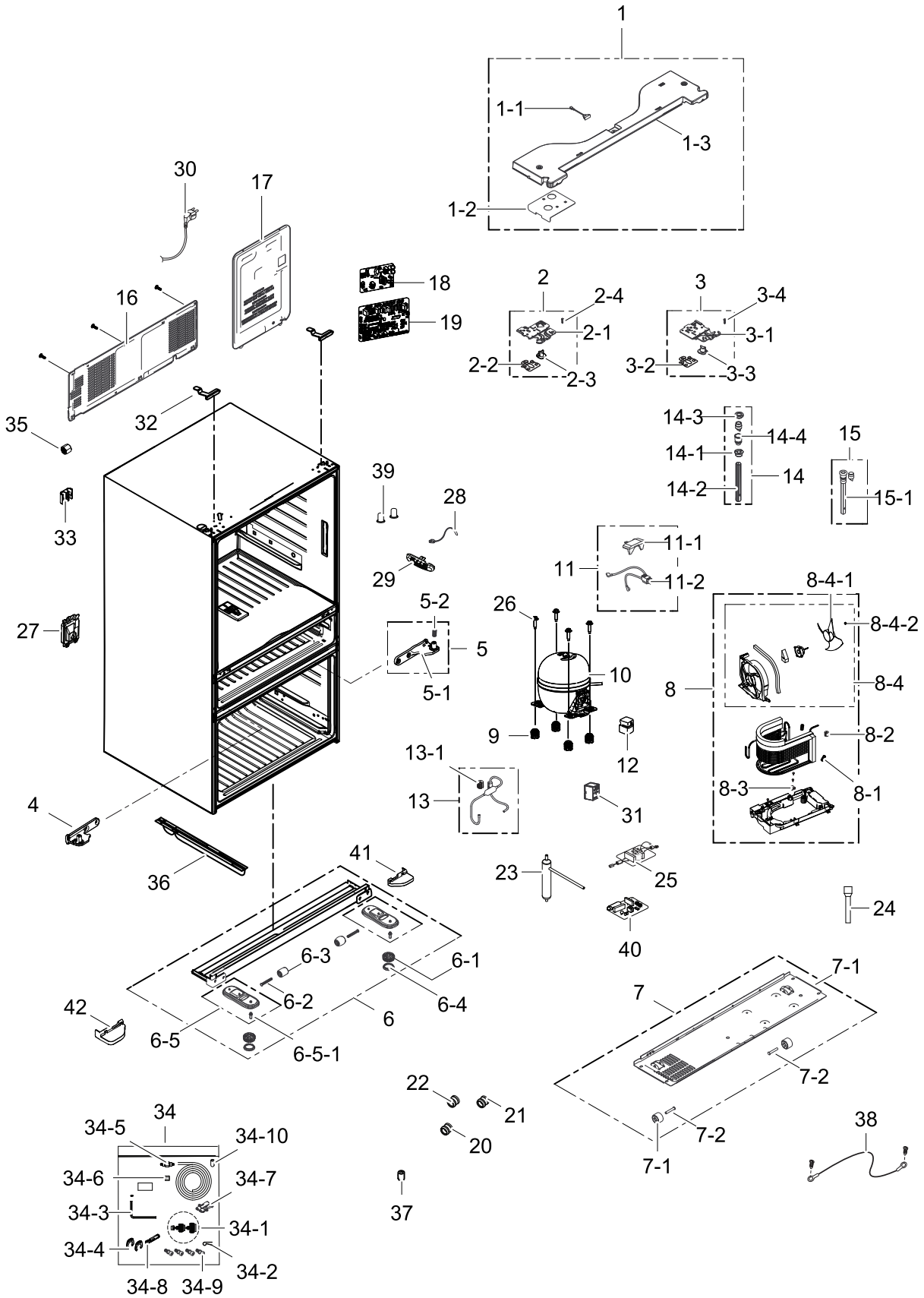
Exploded Views and Parts List

No.	Lvl.	Loc.	Material Code	Description & Specification	SNA	Qty.
16-3	3	RR334	6002-001204	SCREW-TAPPING; TH,+,-,1,M4,L16,PASS,STS43	SA	4
17	2	RI016	DA96-00842B	ASSY EVAP-REF; OPUS1,PIN,230V/120W	SA	1
17-1	3	RK716	DA32-10104N	SENSOR TEMP; DKST1329GW,AW3,-50~805V,	SA	1
17-2	3	RR036	DA47-00301D	THERMO FUSE-ASSY; AC250V,10A,109~110S	SA	1
17-3	3		DA47-00434B	HEATER METAL SHEATH; AC230V,OPUS1 REF, 44	SA	1
17-4	3	RR042	DA61-03644A	PLATE-EVAP HEATER; AW-PJT,Al,T0.7	SA	1
17-5	3	RK213	DA61-03683A	FIXER-SENSER; AW-PJT,PP,-,NTR,FH-44N	SA	1
17-6	3	RK205	DA61-05835B	FIXER-HEATER REF; AW3-PJT,PBT,NTR	SA	2
18	2		DA97-12540F	ASSY CASE FAN-AUGER MOTOR; AW4-CD,230V/50	SA	1
18-1	3	RR012	6002-000471	SCREW-TAPPING; TH,+,-,1,M4,L12,PASS,STS30	SA	6
18-2	3	RW547	DA31-00070E	MOTOR BLDC FAN; 66mm boxfan motor,3600rpm	SA	1
18-3	3	RF434	DA31-00105L	MOTOR GEARED AC AUGER; ISG3240SSH-1 / ORM	SA	1
18-4	3	RR110	DA60-00001B	SCREW-SPECIAL; HEX,L6.3,PASS,STS304	SA	3
18-5	3	RR109	DA61-20140A	SPRING ETC-SOLENOID; SR-S7180,STS304,ID7.	SA	1
18-6	3	RS711	DA63-02513A	GROMMET-FAN; USP,NBR	SA	4
18-7	3	RO088	DA74-40151F	VALVE COIL SOLENOID; AC220-240V,-,SOLENOI	SA	1
18-8	3		DA96-00682E	ASSY WIRE HARNESS-AUGER; FDR,FREE VOLT,UL	SA	1
19	2	RZ003	DA97-14504A	ASSY TRAY ICE; AW2-CD-14,MAGNET TYPE	SA	1
19-1	3		DA63-07185A	GASKET-TRAY ICE BUCKET; AW4,PVC-SF,WHITE	SA	1
19-2	3	RM039	DA61-20124D	SPRING ETC-DISPENSER; AW-BEST-GE-OEM,STS3	SA	1
19-3	3	RR012	6002-000471	SCREW-TAPPING; TH,+,-,1,M4,L12,PASS,STS30	SA	6
20	2	RM061	DA97-13718B	ASSY ICE MAKER; AW4-CD,230V-60Hz	SA	1
20-1	3		DA47-00462D	HEATER-ICEMAKER; AC230V,6CUBE, 440.8ohm,1	SNA	1
20-2	3	RR012	6002-000471	SCREW-TAPPING; TH,+,-,1,M4,L12,PASS,STS30	SA	6
21	2	RF197	DA97-12654A	ASSY CAP-ANGLE; AW4,PP,COOL WHITE	SA	1
22	2		DA97-14471A	ASSY CASE LOCK; AW3-14,MAGNET TYPE	SA	1
23	2		DA63-07276A	COVER LAMP-LED SIDE; AW4,GPPS,HB,TP BLUE,	SA	2
24	2	RU035	DA66-00733A	SHAFT-GEAR CONV; AW3,SM25C,743,BLACK	SA	1
25	2	RU003	DA97-08430A	ASSY INS-DAMPER CONV; AW3	SA	1

No.	Lvl.	Loc.	Material Code	Description & Specification	SNA	Qty.
25-1	3	RK366	DA31-00101C	MOTOR DC-DAMPER; NSBY001TJ1,12V,Max 60mA,	SA	1
26	3		DA97-13838A	ASSY RAIL-LEFT; AW4-CD,VEG	SA	1
26-1	4		DA61-09178A	RAIL-LEFT; AW4-4D,HIPS,WHITE,HG-1760SF,AW	SNA	1
26-2	4		DA97-15997A	ASSY ROLLER; RF9000JC,24	SA	1
27	2	RO518	DA62-03914A	TUBE-FITTING; PP,1/4"-1/4",TRANSPARENT	SA	1
28	2	RU016	DA63-05477A	COVER MOTOR-DAMPER; AW3,HIPS,HB,COOL WHIT	SA	1
29	2	RI037	DA97-13831A	ASSY SHELF-REF; AW4-CD,FIX	SA	2
29-1	3		DA61-09194A	HANGER-LEFT; AW4-4D,CD,EGI-SECC,COOL WHIT	SA	2
29-1-1	4	RO337	DA61-09550A	FIXER; AW2-14,POM,WHITE,HB,K-300	SA	1
29-2	3		DA61-09193A	HANGER-RIGHT; AW4-4D,CD,EGI-SECC,COOL WHI	SA	2
29-2-1	4	RO337	DA61-09549A	FIXER; AW2-14,POM,WHITE,HB,K-300	SA	2
29-3	3		DA67-03724A	SHELF-REF FIX; AW4-4D,PP,COOL WHITE,AW4-C	SA	2
29-4	4		DA01-00888A	GLASS-SHELF REF FIX; GLASS	SNA	2
29-5	3	RR128	6002-001397	SCREW-TAPPING; TH,+,-,B,M4,L8,ZPC(WHT),SW	SA	1
30	3		DA97-13837A	ASSY RAIL-RIGHT; AW4-CD,VEG	SA	1
30-1	4		DA61-09177A	RAIL-RIGHT; AW4-4D,HIPS,COOL WHITE,HG-176	SNA	1
30-2	4		DA97-15997A	ASSY ROLLER; RF9000JC,24	SA	1
31	2	RU495	DA67-02795C	CAP-SHAFT HOLE; AW3,ABS,HG-0760GP,COOL WH	SA	1
32	2		DA97-13783A	ASSY COVER SWITCH; AW4-4D (F/S, C/D),FDR	SA	1
32-1	3	RY001	DA34-00043J	SWITCH REED; UL1007 AWG 22,50mm,DEM1-B503	SA	1
32-2	3		DA63-07513A	COVER REED SWITCH; OPUS1-14,ABS,HB,COOL W	SA	1

3. Cabinet

Exploded View



Parts List

No.	Lvl.	Loc.	Material Code	Description & Specification	SNA	Qty.
1	2	RO133	DA97-13703D	ASSY TOP TABLE; ROMANEE CONTI,INOX GRAY	SA	1
1-1	3		DA34-00043K	SWITCH REED; UL1007 AWG 22,280(680),25045	SA	1
1-2	3	RO250	DA61-08227A	PLATE-COVER HINGE; AW4,GI-SGCC,T0.3	SA	1
1-3	3	RO930	DA64-04477B	TOP TABLE; ROMANEE CONTI,ABS,INOX GRAY	SA	1
2	2	RO041	DA97-12573A	ASSY HINGE UPP-L; AW4,T3.0,BLACK	SA	1
2-1	3	RO129	DA61-08309A	HINGE-UPP L; AW4,PO-SPHC,T2.9,ELEKTRODEPOS	SA	1
2-2	3	RK777	DA63-50192A	SHIM-HINGE UPP; PVC,T1.0,T1.0	SA	1
2-3	3	RO175	DA66-00950A	CAM-AUTO CLOSE L; AW4,POM,BLACK	SA	1
2-4	3	RR009	6002-000215	SCREW-TAPPING; TH,+,NO,1,M4,L16,ZPC(WHT),	SA	9
3	2	RO042	DA97-12574A	ASSY HINGE UPP-R; AW4,T3.0,BLACK	SA	1
3-1	3	RO128	DA61-08310A	HINGE-UPP R; AW4,PO-SPHC,T2.9,ELEKTRODEPOS	SA	1
3-2	3	RK777	DA63-50192A	SHIM-HINGE UPP; PVC,T1.0,T1.0	SA	1
3-3	3	RO573	DA66-00951A	CAM-AUTO CLOSE R; AW4,POM,BLACK	SA	1
3-4	3	RR009	6002-000215	SCREW-TAPPING; TH,+,NO,1,M4,L16,ZPC(WHT),	SA	9
4	2	RO536	DA61-08318A	HINGE-MID L; AW4,Zn,T4.5,ZnDC 2	SA	1
5	2		DA97-12612B	ASSY HINGE-MIDDLE RIGHT; AW4,ZnDC	SNA	1
5-1	3		DA61-08317B	HINGE-MIDDLE RIGHT; AW4,Zn,T4.5,ZnDC2,CR	SNA	1
5-2	3		DA66-00688A	SHAFT HINGE-MIDDLE; AW4-4D,SM20C,M8,L13.4	SA	1
6	2		DA97-12556D	ASSY CABI BOTTOM-FRONT; AW4-4D C/D,NOBLE	SNA	1
6-1	3	RO100	DA61-07972B	FOOT-FRONT; POLARIS,PP,BLACK,INSERT NUT,	SA	2
6-2	3	RH012	DA61-01920A	FIXER-CASTER; ZPC2,MSWR10,OD8.0,L58	SA	2
6-3	3	RO360	DA61-04702A	CASTER-FRONT; AW-PJT,PP,BLACK,PP(M/B 0103	SA	2
6-4	3	RO049	DA61-07973B	FOOT; POLARIS,PP,BLACK,PP_S	SA	2
6-5	3		DA97-13807A	ASSY SUPPORT-FRONT; AW4-4D C/D	SA	2
6-5-1	4	RY454	DA66-00793A	SHAFT-LEG FRONT; POLARIS,SWCH10A,BLACK,EL	SA	2
7	2	RO002	DA97-12557A	ASSY CHASSIS-COMP; AW4	SA	1
7-1	3	RR242	DA61-04703A	CASTER-REAR; AW-PJT,PP,BLACK,PP M/B(0103-	SA	2
7-2	3	RX039	DA66-00649B	SHAFT-CASTER; POLARIS,MSWR10,L44,ID8.0,OD	SA	2

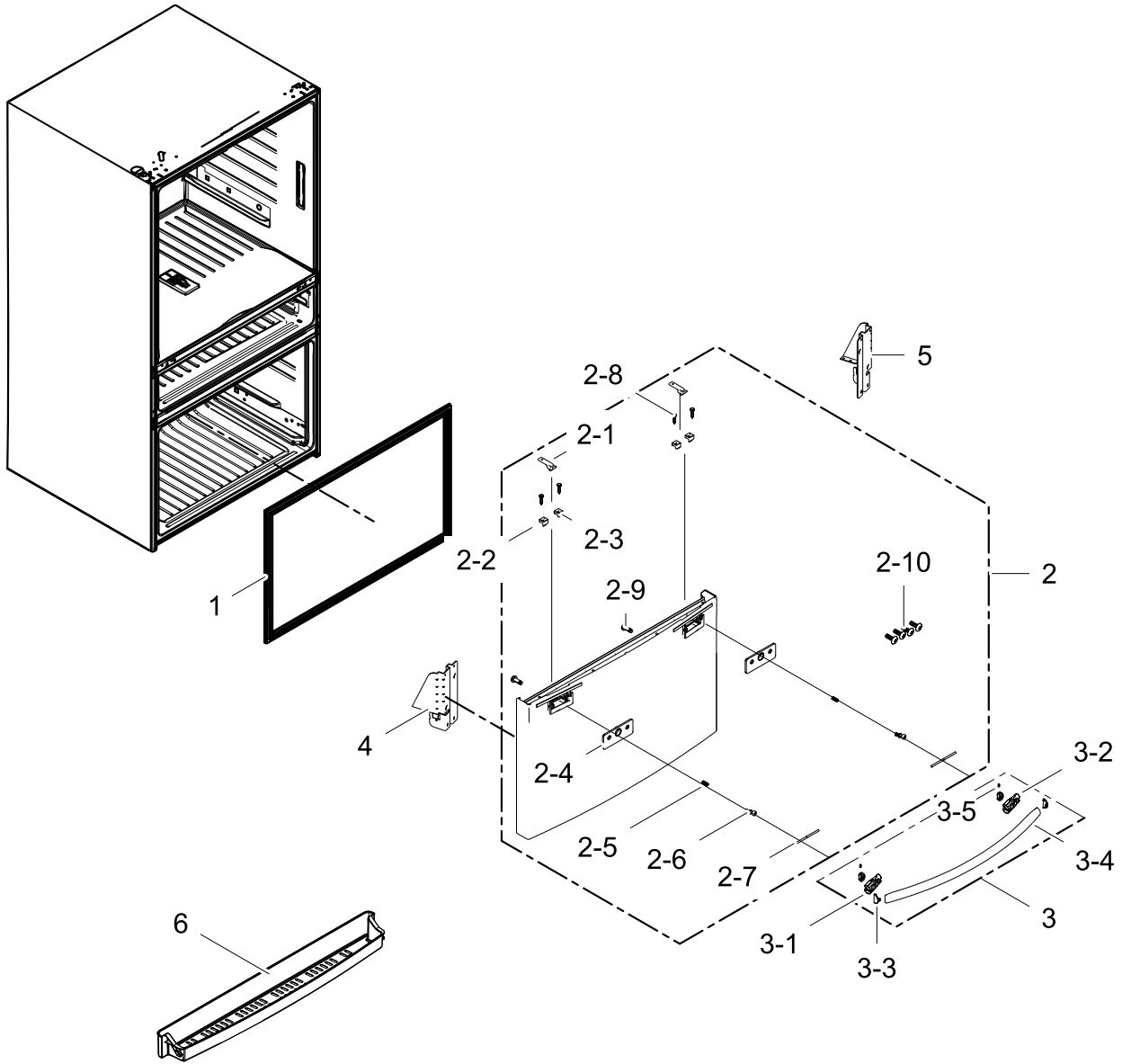
Exploded Views and Parts List

No.	Lvl.	Loc.	Material Code	Description & Specification	SNA	Qty.
8	2	RH003	DA97-15978A	ASSY TRAY DRAIN WATER; AW,PFC	SA	1
8-1	3		DA63-07323A	GROMMET-IMMERSION PIPE B; ROMANEE CONTI,N	SA	2
8-2	3	RX020	DA63-40171B	GROMMET-SUCT PIPE A; NBR,-,ID4,OD20	SC	1
8-3	3	RH054	DA63-04424A	GROMMET-COND SUB; GUGGENHEIM,NBR,-,-,-,-,	SA	1
8-4	3	RO132	DA97-15765A	ASSY SUPPORT-CIRCUIT MOTOR; C 160I	SA	1
8-4-1	4	RG062	DA31-00320A	FAN; HM12,ABS+GLASSFIBER,GR-4010/NTR	SC	1
8-4-2	4	RR053	DA61-20128A	SPRING ETC-FAN; STS304,PI8.8,ID7.8,OD9.8,	SA	1
9	2	RH732	DA63-02617A	GROMMET COMP; USP05,EPDM,OD27.0,BLACK	SA	4
10	2		NF34H9151AME01	CMP,REFRIGERATOR,R-600A; CMP,REFRIGERATOR,R-600A	SA	1
11	2	RH070	DA97-14893A	ASSY COMP-SUB; ALL,ASSY WIRE HARNESS-COMP	SA	1
11-1	3	RO354	DA34-00004C	RELAY PROTECTOR O/L; 4TM319SFBYY-82,BK190	SC	1
11-2	3	RH741	DA39-00154J	ASSY WIRE HARNESS-COMP; ALL,FREE VOLT,UL+	SA	1
12	2	RH015	DA63-01866A	COVER RELAY; NORYL,T2.0,SSEC,BLACK,HOOK	SA	1
13	2	RO550	DA97-12170A	ASSY PIPE-CONNECT; AW PJT	SA	1
13-1	3	RX042	DA63-40171D	GROMMET-SUCT PIPE B; RAIL L20,NBR,-,ID5.5	SA	2
14	2	RZ110	DA97-04049E	ASSY CAP-DRAIN; AW3	SA	1
14-1	3	RG141	DA61-05021A	FIXER-DRAIN; HAEMIL,PP,T0.6,NATURAL,BJ750	SA	1
14-2	3	RH890	DA62-01266B	TUBE PVC; AW3,SF-PVC,BLACK	SA	1
14-3	3	RO161	DA63-02761A	GROMMET-DRAIN; RS18RK,NBR,-,-,-,-,BLK,-	SA	1
14-4	3	RZ111	DA67-01301A	CAP-DRAIN; AW4,HIPS,HB,S834S1,NATURAL	SA	1
15	2	RZ110	DA97-04049J	ASSY CAP-DRAIN; ASSY,L199.5	SC	2
15-1	3	RH890	DA62-01266E	TUBE PVC; AW3,SF-PVC,T0.7,L185,GRAY	SA	2
16	2	RH001	DA97-12749A	ASSY COVER COMP; AW4,GI-SGCC,T0.25	SA	1
17	2		DA97-08442D	ASSY COVER PCB-PANEL; AW4-4D	SA	1
18	1		DA92-00483L	ASSY PCB INVERTER; INVERTER,FSR,163*98.5,	SA	1
19	1		DA94-02275L	ASSY PCB EEPROM; 0X3B,D602,D604,D605,D606	SA	1
20	2		DA60-00280A	FITTING-LOKRING 33; SUM23,33	SA	1
21	2		DA60-00281A	FITTING-LOKRING 43; GRAND/SAM/HERMES,11SM	SA	1
22	2		DA60-00325A	FITTING-LOKRING; 11SMnPb30k,LOKRING 2 N S	SNA	1
23	2	RH044	DA62-04309B	DRYER; Cu,137,SINGLE MOUTH,9g	SA	1

No.	Lvl.	Loc.	Material Code	Description & Specification	SNA	Qty.
24	2	RH026	DA73-10190U	PIPE-CONNECT DISC,B; ALL,Cu,C1220T,OD6.35	SA	1
25	2	RH069	DA27-00041B	COIL FILTER; SSLF-203AF1,14.0mH,60*82mm,B	SA	1
26	2		6011-004061	BOLT-HEX; M6,L43.6,SWCH10A	SA	4
27	2	RM074	DA97-08413B	ASSY COVER-TUBE FILTER; AW4,ASSY	SA	1
28	4	RK740	DA32-10109B	SENSOR TEMP; 502AT,SR-5157,2M,YEL,CAP TYP	SA	1
29	4	RF103	DA63-05470B	COVER SENSOR-FRE; AW3,HIPS,NTR	SA	1
30	2		3903-000794	CBF-POWER CORD; AT,E.U,EU3F,3C,250V,16A,B	SA	1
31	2	RI222	DA63-02902B	COVER-FIXER HOUSING V; NEXT-PJT,GALVA,T0.	SA	1
32	2	RO255	DA61-04932A	FIXER HINGE-UPP; AW1-12,GI,T3.0	SA	2
33	2	RY480	DA61-03467B	FIXER-HOSE; AW-PJT,HIPS,NATURAL,S834S1	SA	3
34	2	RI069	DA97-11752L	ASSY-INSTALL FILTER; AW,KD	SNA	1
34-1	3	RC001	DA62-01329A	PIPE-CONNECT WATER PACKING; ET-PJT,BRASS,	SA	1
34-2	3	RW963	DA65-20110B	CABLE CLAMP; PA66	SA	8
34-3	3		DA80-00026B	WRENCH-SPANNER; AW3,SM45C,Zn Plating	SA	1
34-4	3	RR094	DA61-04522A	CLIP-FITTING LOCK; AW,POM	SA	2
34-5	3	RO207	DA62-01378B	VALVE-FITTING PU; AT06,C3604BD-F,-,-,-	SA	1
34-6	3	RR072	DA74-00070B	VALVE-FITTING NUT; A-TOP,CU,12,C3604 BD-F	SA	2
34-7	3	RU304	DA63-04744A	COVER-CHECK VALVE; HM,PP,HB,GRAY,CNTK-P-1	SA	1
34-8	3		DA60-00336A	FITTING TUBE; POM,1/4	SA	1
34-9	3	RR178	DA61-03734A	FIXER-HANDLE; AW-PJT,SWRCH18A,M8,-,GE	SA	4
34-10	3		DA67-03197A	CAP-WRENCH; AW3-PJT,PVC,BLACK	SA	1
35	3	RR072	DA74-00070B	VALVE-FITTING NUT; A-TOP,CU,12,C3604 BD-F	SA	2
36	3	RM102	DA64-02950A	TRIM-BLADE; AW2-CD,PVC,SHGS-L130-67-01G,N	SA	1
37	2	RU302	DA73-00211A	RUBBER-CAP HOSE; i4-PJT,SILICON,GRAY	SA	1
38	2	RK934	DA39-20389L	ASSY WIRE HARNESS-EARTH; ALL,FREE VOLT,UL	SC	1
39	2	RY756	DA63-06410A	GROMMET HINGE-MID; AW3,POM,BLACK	SA	2
40	1		DA92-00486A	ASSY MODULE; STD #8 SMPS,FOOD SHOWCASE,45	SA	1
41	2		DA63-07484A	COVER LEG-FRONT RIGHT; AW4-4D (C/D),PP,HB	SA	1
42	2		DA63-07485A	COVER LEG-FRONT LEFT; AW4-4D (C/D),PP,HB,	SA	1

4. Freezer-Door

Exploded View



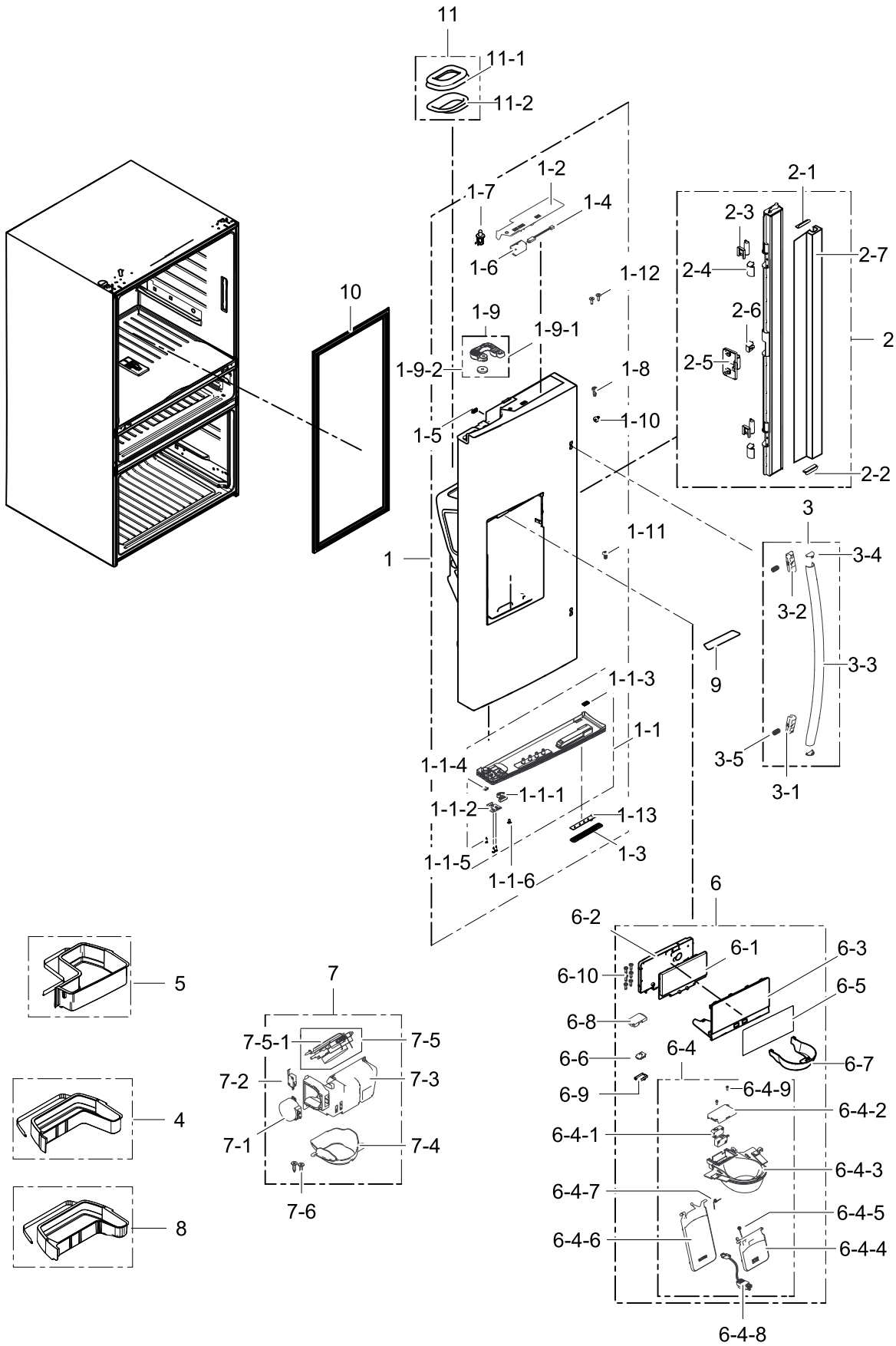
Parts List

No.	Lvl.	Loc.	Material Code	Description & Specification	SNA	Qty.
1	3		DA97-12522S	ASSY GASKET-FRE; AW4-4D,GRAY	SA	1
2	3	RD001	DA91-04290H	ASSY DOOR FOAM-FRE; AW4-4D,Real Sts,K150	SA	1
2-1	5	RU036	DA61-08234A	SLIDER-EASY HANDLE; AW4,POM,CREAMY-ST5,F2	SA	2
2-2	5	RU028	DA61-05930A	FIXER-SHAFT L; AW3,POM,NATURAL	SA	2
2-3	5	RU029	DA61-05899A	FIXER-SHAFT R; AW3,POM,NTR	SA	2
2-4	5	RF219	DA61-06658A	REINF-CAP HANDLE; AW3,HGI-SGHC,T1.6	SA	2

No.	Lvl.	Loc.	Material Code	Description & Specification	SNA	Qty.
2-5	5	RD157	DA61-04335A	SPRING ETC-EASY HANDLE; 08 AW1,2-PJT,HSWR	SC	2
2-6	5	RR178	DA61-03734A	FIXER-HANDLE; AW-PJT,SWRCH18A,M8,-,GE	SA	2
2-7	5	RK756	DA66-00579A	SHAFT-CAP HANDLE; AW-PJT,MSWR,105,5,ZPC3(SA	2
2-8	5	RR009	6002-000215	SCREW-TAPPING; TH,+,NO,1,M4,L16,ZPC(WHT),	SA	4
2-9	5	RR014	6002-000630	SCREW-TAPPING; PH,+,NO,2S,M3,L8,ZPC(WHT),	SA	2
2-10	4	RR018	6002-001406	SCREW-TAPPING; TH,+, -,2S,M4,L12,ZPC(WHT),	SA	4
3	3	RO600	DA97-12712C	ASSY HANDLE BAR-FRE; AW4,AL(A6063),Versai	SC	2
3-1	4	RU390	DA61-08229A	SUPPORT-HANDLE FRE; AW1-12,AW4,POM,GF-702	SA	2
3-2	4	RD315	DA61-08247A	SUPPORT-HANDLE FRE R; AW1-12,AW4,POM,GF-7	SA	2
3-3	4	RD316	DA67-02787A	CAP-HANDLE FRE; AW2 ND,ABS,NTR,NI-CR Plat	SA	4
3-4	4	RO392	DA64-03945F	HANDLE BAR-FRE; AW1-12,AW4,AL,T1.3,Versai	SA	2
3-5	4	RS030	6009-001526	SCREW-SET; -,HEX,-,#10-24 UNC 2B,L9,PASS,	SA	1
4	3		DA61-09245A	HANGER-FRONT LEFT; AW4-4D,EGI-SECC,COOL W	SA	1
5	3		DA61-09247A	HANGER-FRONT RIGHT; AW4-4D,EGI-SECC,COOL	SA	1
6	2	RD354	DA63-07512A	GUARD-FRE; AW4-4D,HIPS,COOL WHITE	SA	1

5. Refrigerator-Door-L

Exploded View



Parts List

No.	Lvl.	Loc.	Material Code	Description & Specification	SNA	Qty.
1	2		DA91-04333D	ASSY DOOR FOAM-REF LEFT; AW4-4D,REAL STS(SA	1
1-1	4		DA97-14358A	ASSY CAP DOOR-REF LOW LEFT; AW3-14,INOX-G	SNA	1
1-1-1	5	RU262	DA61-02383E	SUPPORT DOOR-CLOSE; AW-PJT,POM,SO301,CREA	SA	1
1-1-2	5	RD070	DA61-08210A	STOPPER-DOOR L; AW4,PO-SPHC,T2.9,BLACK	SA	1
1-1-3	5	RD292	DA63-04825A	GROMMET-CHASSIS UP; SRT749,SI,T5.0,W20.0,	SA	1
1-1-4	5	RR067	DA63-40294A	GROMMET-STOPPER; T3XW8XL8,NR,-,-,-,-,-,-,	SA	1
1-1-5	5	RR007	6001-000570	SCREW-MACHINE; TH,+,-,M5,L25,ZPC(WHT),SWR	SNA	1
1-1-6	5	RR015	6002-001120	SCREW-TAPPING; FH,+,-,1,M4,L18,ZPC(WHT),SWR	SA	1
1-2	5		DA63-06916D	COVER CAP DOOR-REF UP LEFT; AW4-4D,ABS,HB	SA	1
1-3	4	RU017	DA63-05524A	COVER-CAP DOOR LED; AW3,PC,NTR	SA	1
1-4	5	RO302	DA32-00034B	SENSOR HUMIDITY; DA32-00034B,SHT20P,5V,0	SA	1
1-5	5	RY479	DA61-03769A	MAGNET-A; HERMES,FERRITE,1600Gauss	SA	1
1-6	5	RO305	DA61-05274A	PLATE-DOOR SWITCH; AW2 CD,GI-SGCC,T0.4,NC	SA	1
1-7	5	RO304	DA34-00066C	SWITCH DOOR-INTERLOCK; AC125V/250V,5/2.5,	SA	1
1-8	5	RR239	6002-000466	SCREW-TAPPING; PH,+,-,2S,M3,L8,ZPC(WHT),MSW	SA	1
1-9	5	RO172	DA97-12625A	ASSY LEVER-AUTO CLOSE; AW4,POM,BLACK	SA	1
1-9-1	6	RO173	DA66-00952A	LEVER-AUTO CLOSE; AW4,POM,BLACK	SNA	1
1-9-2	6	RO570	DA66-00440A	ROLLER-AUTO CLOSE; AW-PJT,NY-6,BLACK	SA	1
1-10	5	RR013	6002-000613	SCREW-TAPPING; TH,+,-,2,M5,L16,ZPC(WHT),S	SA	1
1-11	4	RR131	6002-000217	SCREW-TAPPING; TH,+,-,NO,1,M4,L8,ZPC(WHT),S	SA	1
1-12	5	RR016	6002-001122	SCREW-TAPPING; FH,+,-,NO,1,M4,L14,ZPC(WHT),	SC	2
1-13	4		DA41-00676J	ASSY LAMP LED; 2,FR-4,20*30,WHITE,SMAW250	SA	1
2	2		DA97-14049D	ASSY FRENCH; AW4-4D,URBAN SILVER,230V	SA	1
2-1	3		DA63-06959A	GASKET-FRENCH UPP; AW4,SI,GRAY	SA	1
2-2	3	RO169	DA63-06842B	GASKET-FRENCH LOW; AW-PJT,SI,GRAY	SA	1

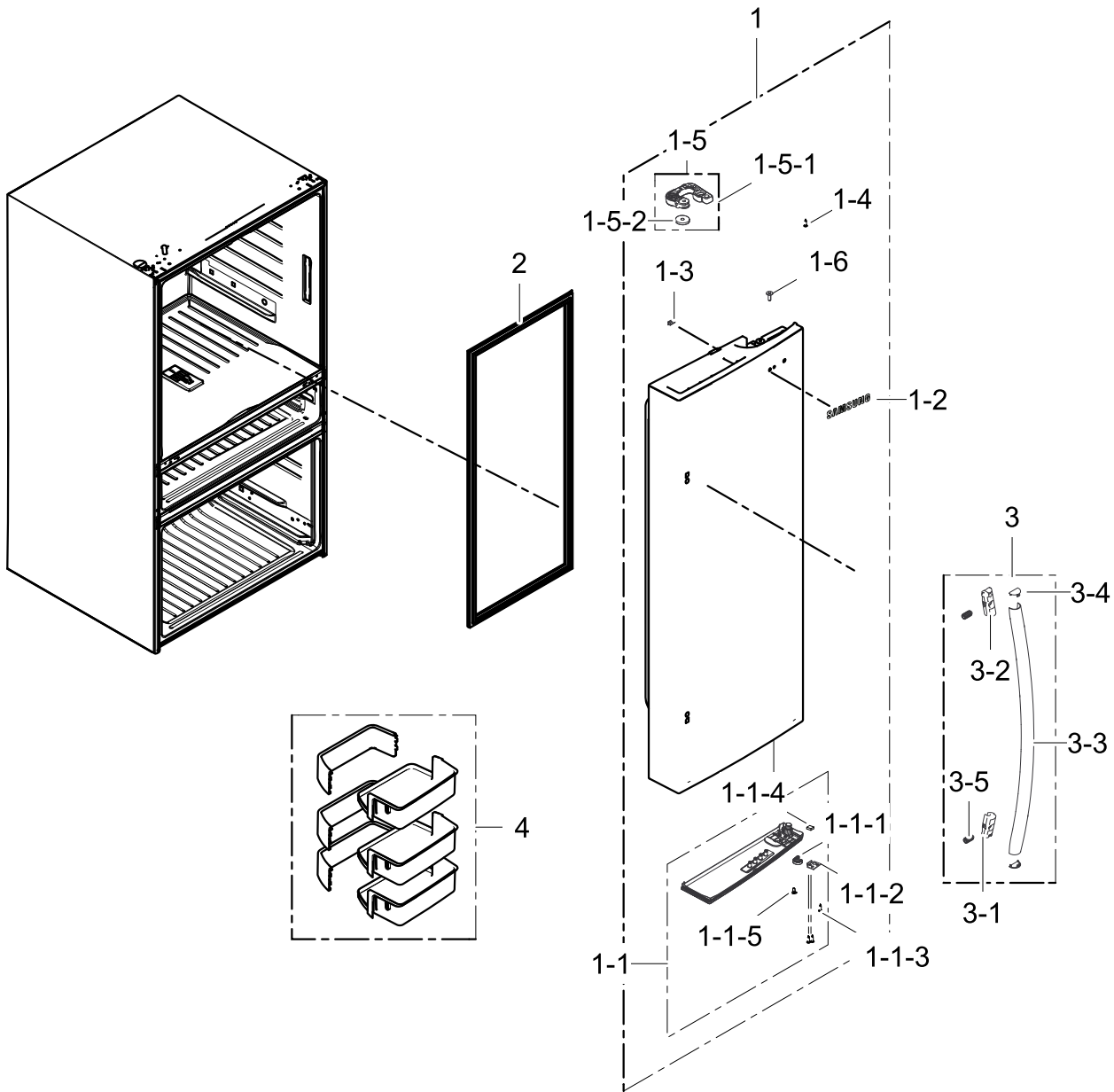
Exploded Views and Parts List

No.	Lvl.	Loc.	Material Code	Description & Specification	SNA	Qty.
2-3	3	RD098	DA61-08305A	HINGE-FRENCH; AW4,PC,COOL WHITE	SA	2
2-4	3	RE471	DA67-01650A	CAP-CASE FRENCH; AW-PJT,ABS,HG-0760GP,CO	SA	2
2-5	3	RI239	DA63-03454B	COVER-HEATER FRENCH; AW-PJT,PC(HF-1023IM)	SA	1
2-6	3	RE091	DA67-01701A	CAP-CASE FRENCH MID; AW-PJT,ABS,HG-0760GP	SA	1
2-7	3		DA63-07560B	GASKET FRENCH; MOUTON12,PVC-SF,WHITE	SA	2
3	3		DA97-12715C	ASSY HANDLE BAR-REF L; AW4,AL(A6063),Vers	SC	1
3-1	4		DA61-08228A	SUPPORT-HANDLE REF; AW1-12,AW4,POM,GF-702	SA	1
3-2	4	RE305	DA61-08246A	SUPPORT-HANDLE REF UPP; AW1-12,AW4,POM,GF	SA	1
3-3	4		DA64-03756K	HANDLE BAR-REF L; AW1-12 & AW4,AL,T1.3,Ve	SC	1
3-4	4		DA67-02788A	CAP-SUPT HANDLE REF; AW3,ABS,NTR,CR Plati	SA	2
3-5	4	RS030	6009-001526	SCREW-SET; -,HEX,-,#10-24 UNC 2B,L9,PASS,	SA	1
4	2		DA97-13818A	ASSY GUARD-REF MIDDLE; AW4-4D(C/D)	SA	1
5	2		DA97-13804A	ASSY GUARD-REF UP; AW4-4D(CD)	SA	1
6	2		DA97-13809B	ASSY COVER DISPENSER; AW4_4D_CD_CONTOUR,S	SA	1
6-1	3		DA92-00451B	ASSY MODULE; LED DISPLAY,AW4-4D,I/W(Ice a	SA	1
6-2	3	RO464	DA63-06377A	COVER PCB-PANEL REAR; OPUS1,HIPS,GRAY,CNT	SA	1
6-3	3		DA97-13808A	ASSY COVER DISPENSER-SUB; AW4_CONTOUR,MET	SA	1
6-4	3		DA97-12628N	ASSY LEVER DISPENSER; AW4-4D,CD/NO SPARKL	SA	1
6-4-1	4		3405-001119	SWITCH-MICRO; 250VAC,1A,80,SPST-NO,T105	SA	2
6-4-2	4	RE059	DA63-05449A	COVER SWITCH; AW3,ABS,NATURAL,HG-0760GP	SA	1
6-4-3	4		DA61-09434A	CASE LEVER DISPENSER; AW4-4D,ABS,EBONY BL	SNA	1
6-4-4	4		DA66-00721A	LEVER-DISPENSER ICE STS; AW3,PC,3022IR,NA	SNA	1
6-4-5	4		DA61-06033A	SPRING ETC-LEVER DISP ICE; AW3,STS304	SNA	1
6-4-6	4		DA66-00720A	LEVER-DISPENSER WATER STS; AW3,PC,3022IR,	SNA	1
6-4-7	4	RD446	DA61-06034B	SPRING ETC-LEVER DISP WATER; AW3,STS304	SNA	1
6-4-8	4		DA96-00106J	ASSY WIRE HARNESS-DISPENSER; ALL,12VDC,AL	SA	1

No.	Lvl.	Loc.	Material Code	Description & Specification	SNA	Qty.
6-4-9	4	RR014	6002-000630	SCREW-TAPPING; PH,+,NO,2S,M3,L8,ZPC(WHT),	SA	2
6-5	3		DA64-04551A	INLAY-FILM; AW4-4D,PET,BLACK,White LED, 3	SA	1
6-6	3	RK964	DA41-00217A	ASSY PCB KIT; LED DISPENSER LAMP,AD,17*31	SA	2
6-7	3		DA63-07637A	COVER ICE; AW4-4D,ABS,HB,CREAMY STS PEARL	SA	1
6-8	3	RE310	DA63-02446A	COVER-LAMP-LED; EPEL,ABS,-,W39.6,L22.6,-,	SA	2
6-9	3	RU012	DA61-05687A	CASE LAMP-LED; SSED,GPSS,TP BLUE,147F,HI	SA	2
6-10	3	RR014	6002-000630	SCREW-TAPPING; PH,+,NO,2S,M3,L8,ZPC(WHT),	SA	6
7	2		DA97-13829B	ASSY GUIDE ICE ROUTE; AW4_4D,220V	SA	1
7-1	3	RF261	DA31-00079C	MOTOR GEARED AC DISP; MVLB15AR81/MCFB182A	SA	1
7-2	3		3405-001117	SWITCH-MICRO; 125/250VAC,1A,80gf,SPST-NO	SA	2
7-3	3		DA61-09432A	CASE ICE ROUTE; AW4-4D,ABS,I BLACK,HG-076	SNA	1
7-4	3	RD273	DA61-09433A	GUIDE ICE; AW4-4D,HIPS,S834S1,NATURAL,GUI	SNA	1
7-5	3	RD068	DA97-05368A	ASSY COVER-ICE ROUTE; AW-PJT,-,-,-,-,-,	SA	1
7-5-1	4	RD359	DA63-04647A	COVER-ICE ROUTE A; AW-PJT,ABS+PC,HB,BLACK	SA	1
7-6	3	RR017	6002-001364	SCREW-TAPPING; FH,+,-,1,M4,L14,CR PLT,SWR	SA	2
8	2	RI161	DA97-13819A	ASSY GUARD-REF LOW; AW4-4D(C/D)	SA	1
9	2	RO489	DA63-07931A	TRAY DISPENSER; AW3,ABS,INOX METAL	SC	1
10	2		DA97-13015C	ASSY GASKET-REF; AW4-4D,GRAY	SA	1
11	2		DA97-12594A	ASSY CAP-CHUTE ICE; AW4-PJT	SA	1
11-1	3	RE161	DA63-06945A	GASKET-CAP CHUTE ICE; AW4,SI,WHITE,40	SA	1
11-2	3	RD266	DA67-03312A	CAP-CHUTE ICE; AW4,HIPS,HB,S834S1,COOL WH	SA	1

6. Refrigerator-Door-R

Exploded View



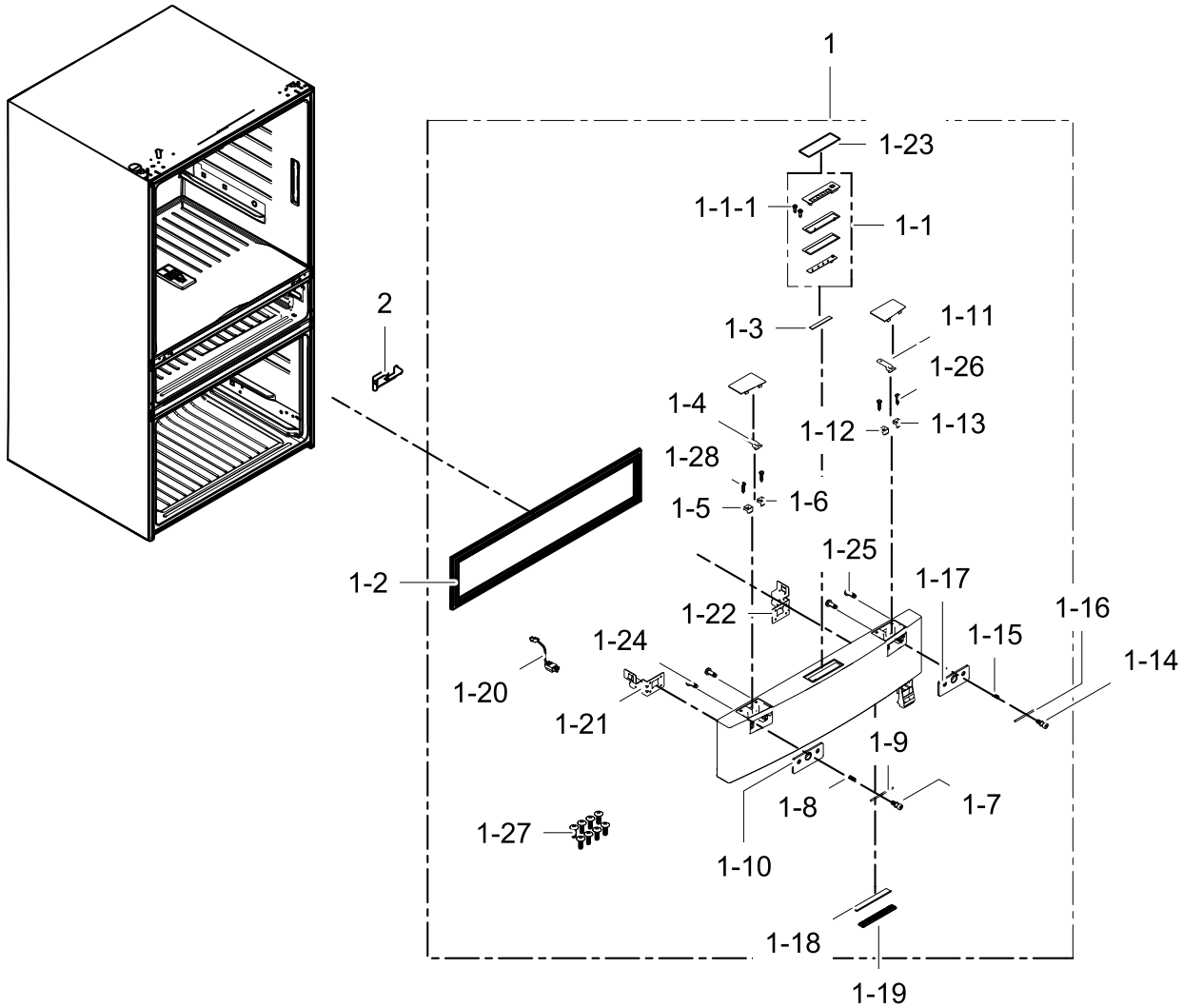
Parts List

No.	Lvl.	Loc.	Material Code	Description & Specification	SNA	Qty.
1	2		DA91-04002S	ASSY DOOR FOAM-REF RIGHT; AW4-4D,SR,R-owe	SA	1
1-1	4		DA97-14359D	ASSY CAP DOOR-REF LOW RIGHT; AW3-14,INOX	SNA	1
1-1-1	5	RU262	DA61-02383E	SUPPORT DOOR-CLOSE; AW-PJT,POM,SO301,CREA	SA	1
1-1-2	5	RE439	DA61-08196A	STOPPER-DOOR R; AW4,PO-SPHC,BLACK,T2.9	SA	1

No.	Lvl.	Loc.	Material Code	Description & Specification	SNA	Qty.
1-1-3	5	RR015	6002-001120	SCREW-TAPPING; FH,+,1,M4,L18,ZPC(WHT),SWR	SA	1
1-1-4	5	RR067	DA63-40294A	GROMMET-STOPPER; T3XW8XL8,NR,-,-,-,-,-,-,	SA	1
1-1-5	5	RR007	6001-000570	SCREW-MACHINE; TH,+,-,M5,L25,ZPC(WHT),SWR	SNA	1
1-2	3	RO716	DA64-04021C	MASCOT; ALL,NI,-,T0.06,L90	SA	1
1-3	5	RY479	DA61-03769A	MAGNET-A; HERMES,FERRITE,1600Gauss	SA	1
1-4	5	RR013	6002-000613	SCREW-TAPPING; TH,+,-,2,M5,L16,ZPC(WHT),S	SA	1
1-5	5	RO172	DA97-12625A	ASSY LEVER-AUTO CLOSE; AW4,POM,BLACK	SA	1
1-5-1	6	RO173	DA66-00952A	LEVER-AUTO CLOSE; AW4,POM,BLACK	SNA	1
1-5-2	6	RO570	DA66-00440A	ROLLER-AUTO CLOSE; AW-PJT,NY-6,BLACK	SA	1
1-6	5	RR016	6002-001122	SCREW-TAPPING; FH,+,NO,1,M4,L14,ZPC(WHT),	SC	2
2	2		DA97-13015C	ASSY GASKET-REF; AW4-4D,GRAY	SA	1
3	3		DA97-12714C	ASSY HANDLE BAR-REF R; AW4,AL(A6063),Vers	SC	1
3-1	4		DA61-08228A	SUPPORT-HANDLE REF; AW1-12,AW4,POM,GF-702	SA	1
3-2	4	RE305	DA61-08246A	SUPPORT-HANDLE REF UPP; AW1-12,AW4,POM,GF	SA	1
3-3	4		DA64-03756G	HANDLE BAR-REF R; AW1-12 & AW4,AL,T1.3,Ve	SA	1
3-4	4		DA67-02788A	CAP-SUPT HANDLE REF; AW3,ABS,NTR,CR Plati	SA	2
3-5	4	RS030	6009-001526	SCREW-SET; -,HEX,-,#10-24 UNC 2B,L9,PASS,	SA	1
4	2		DA97-13805A	ASSY GUARD-REF RIGHT; AW4-4D(CD)	SA	3

7. Flexzone-Door

Exploded View



Parts List

No.	Lvl.	Loc.	Material Code	Description & Specification	SNA	Qty.
1	2		DA97-13797J	ASSY DOOR-MIDDLE; AW4-4D,RS,PLATE,110V	SA	1
1-1	3		DA97-10605C	ASSY COVER CONTROL-CONVERTIBLE; AW4_4D,WH	SA	1
1-1-1	4	RR014	6002-000630	SCREW-TAPPING; PH,+ ,NO,2S,M3,L8,ZPC(WHT),	SA	2
1-2	3		DA97-12522Q	ASSY GASKET-MIDDLE; AW4-4D,GRAY	SA	1
1-3	3		DA63-05630C	COVER CONTROL; AW3,PC,0.5,V2,NATURAL,3020	SNA	1
1-4	3	RU036	DA61-08234A	SLIDER-EASY HANDLE; AW4,POM,CREAMY-ST5,F2	SA	2
1-5	4	RU028	DA61-05930A	FIXER-SHAFT L; AW3,POM,NATURAL	SA	1

No.	Lvl.	Loc.	Material Code	Description & Specification	SNA	Qty.
1-6	4	RU029	DA61-05899A	FIXER-SHAFT R; AW3,POM,NTR	SA	1
1-7	4	RR178	DA61-03734A	FIXER-HANDLE; AW-PJT,SWRCH18A,M8,-,GE	SA	1
1-8	4	RD157	DA61-04335A	SPRING ETC-EASY HANDLE; 08 AW1,2-PJT,HSWR	SC	1
1-9	4	RK756	DA66-00579A	SHAFT-CAP HANDLE; AW-PJT,MSWR,105,5,ZPC3(SA	1
1-10	4	RF219	DA61-06658A	REINF-CAP HANDLE; AW3,HGI-SGHC,T1.6	SA	1
1-11	3	RU036	DA61-08234A	SLIDER-EASY HANDLE; AW4,POM,CREAMY-ST5,F2	SA	2
1-12	4	RU028	DA61-05930A	FIXER-SHAFT L; AW3,POM,NATURAL	SA	1
1-13	4	RU029	DA61-05899A	FIXER-SHAFT R; AW3,POM,NTR	SA	1
1-14	4	RR178	DA61-03734A	FIXER-HANDLE; AW-PJT,SWRCH18A,M8,-,GE	SA	1
1-15	4	RD157	DA61-04335A	SPRING ETC-EASY HANDLE; 08 AW1,2-PJT,HSWR	SC	1
1-16	4	RK756	DA66-00579A	SHAFT-CAP HANDLE; AW-PJT,MSWR,105,5,ZPC3(SA	1
1-17	4	RF219	DA61-06658A	REINF-CAP HANDLE; AW3,HGI-SGHC,T1.6	SA	1
1-18	3		DA41-00676J	ASSY LAMP LED; 2,FR-4,20*30,WHITE,SMAW250	SA	1
1-19	3	RU017	DA63-05524A	COVER-CAP DOOR LED; AW3,PC,NTR	SA	1
1-20	3		DA96-00641B	ASSY WIRE HARNESS-DISPLAY; FDR,12VDC,UL+I	SA	1
1-21	3		DA61-09248A	HANGER-FRONT MIDDLE LEFT; AW4-4D,EGI-SECC	SA	1
1-22	3		DA61-09249A	HANGER-FRONT MIDDLE RIGHT; AW4-4D,EGI-SEC	SA	1
1-23	3		DA64-04526A	INLAY; AW4_4D,PC,REAL STS304,CONV, PRINT	SA	1
1-24	4	RR014	6002-000630	SCREW-TAPPING; PH,+,NO,2S,M3,L8,ZPC(WHT),	SA	2
1-25	4	RR014	6002-000630	SCREW-TAPPING; PH,+,NO,2S,M3,L8,ZPC(WHT),	SA	2
1-26	4	RR009	6002-000215	SCREW-TAPPING; TH,+,NO,1,M4,L16,ZPC(WHT),	SA	2
1-27	3	RR013	6002-000613	SCREW-TAPPING; TH,+,-,2,M5,L16,ZPC(WHT),S	SA	8
1-28	4	RR009	6002-000215	SCREW-TAPPING; TH,+,NO,1,M4,L16,ZPC(WHT),	SA	2
2	2	RU027	DA63-05462C	COVER-W/HARNESS CONV DOOR; OPUS1-14,PP,HB	SA	1