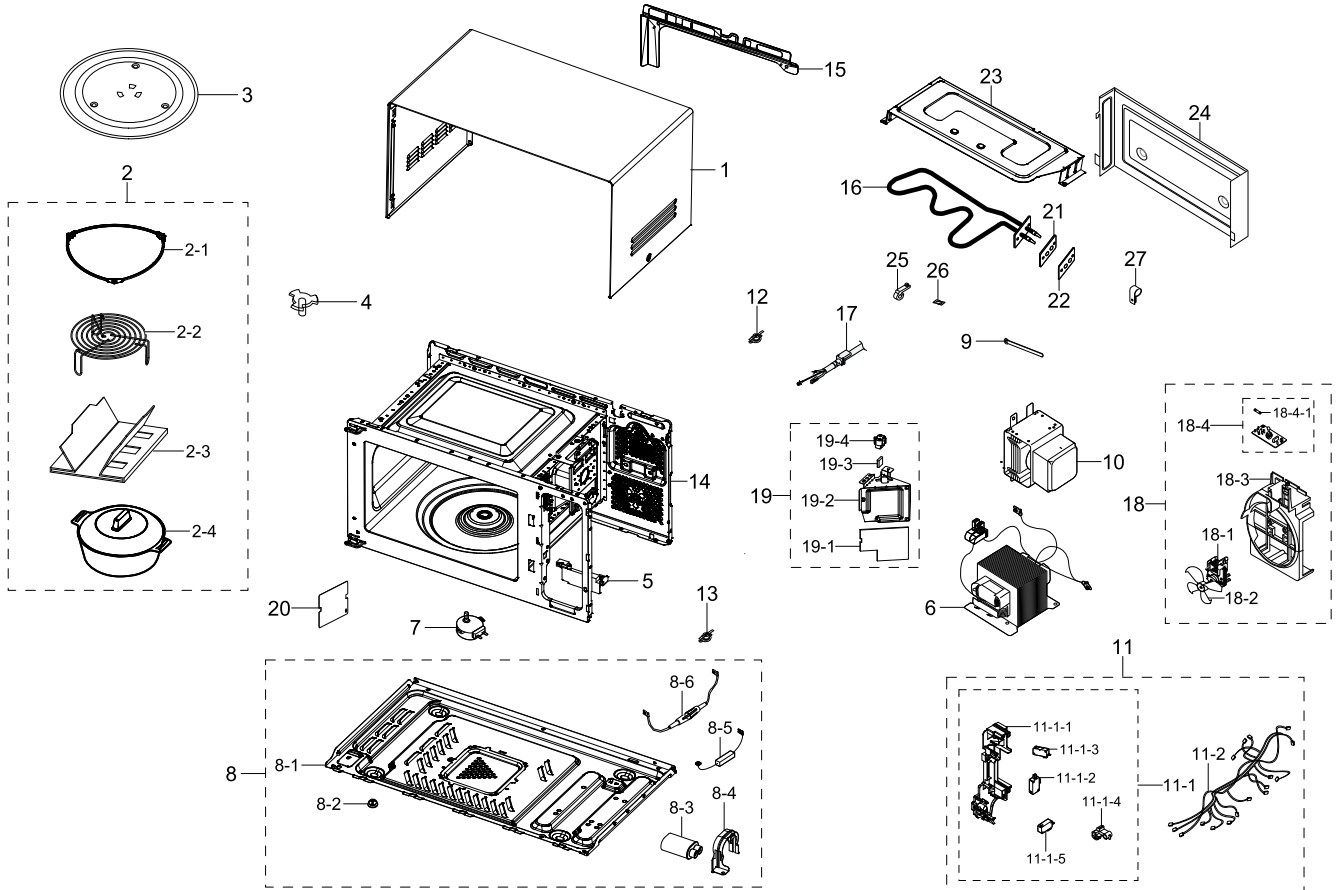


1. Main

Main

Exploded View



Parts List

No.	Lvl.	Loc.	Material Code	Description & Specification	SNA	Qty.
1	2	M001	DE64-02356G	PANEL OUTER; MW73B-S,EGI-SECC,T0.4,W287,L	SA	1
2	2		DE98-02198A	ASSY PACKING ACCESSORY; GE87M-X/XEC, MARI	SNA	1
2-1	3	T165	DE94-02266D	ASSY GUIDE ROLLER; MW73BR/BWT (ECO),SPS,T	SA	1
2-2	3	T030	DE74-70071D	RACK WIRE; 0.7/NC2000,MSWR-SWRM,D230,H85,	SA	1
2-3	3		DE69-00191A	PAD-RACK; CE2877N,CB	SNA	1
2-4	3	T023	DE94-01769B	ASSY BOWL STEAM; STEEL HEART,PP,-	SNA	1
3	2	T001	DE74-20102D	TRAY COOKING; G643C-1(3RD-0.6),GLASS,T6,L	SA	1
4	2	M034	DE67-00258A	COUPLER; SPS+GF30%,C832,0103-001496	SA	1
5	2	M099	DE66-00226A	LEVER DOOR; 0.7ECO PLATFORM,PP,GH23,WHITE	SA	1

Exploded Views and Parts List

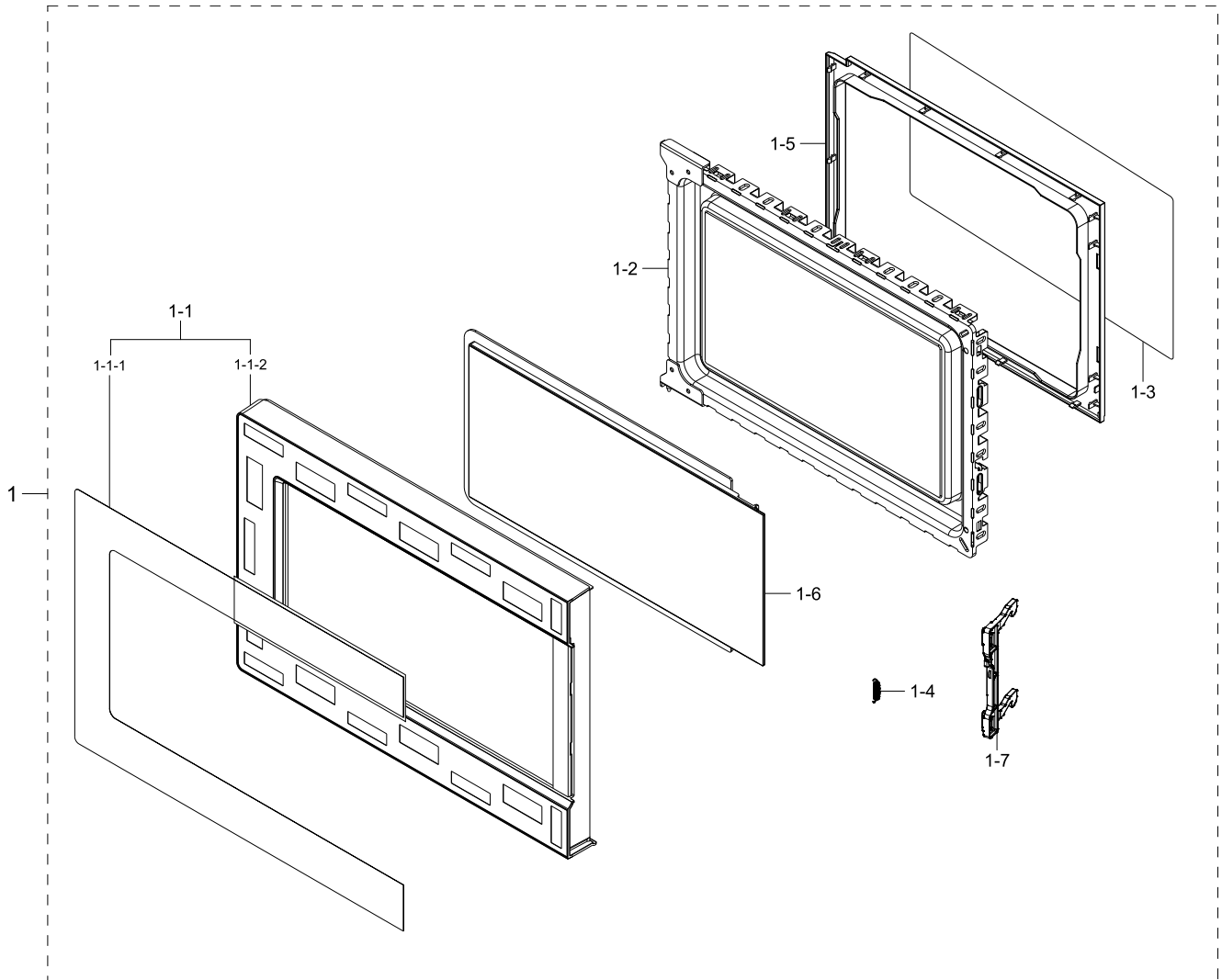
No.	Lvl.	Loc.	Material Code	Description & Specification	SNA	Qty.
6	2	M038	DE26-00144A	TRANS H.V; SHV-EURO4-1,230V,2370/3.50V,AL	SA	1
7	2	M049	DE31-10154D	MOTOR AC DRIVE; 8Pole,21V,50-60Hz,200mA,3	SA	1
8	2	M155	DE94-04198G	ASSY BASE PLATE-MODULE; MG23F301EAS/EO,GI	SA	1
8-1	3	M048	DE61-01262E	BASE PLATE; 0.7/0.8 ECO PLATFORM,GI-SGCC,	SA	1
8-2	3	M047	DE61-01585A	FOOT; 0.7/0.8 ECO SOLO/GRILL,RUBBER,BLACK	SA	1
8-3	3	M039	2501-001011	C-OIL HIGH VOLTAGE; 910nF,2100V,BK,34x54x	SA	1
8-4	3	M040	DE61-01263A	BRACKET-HVC; 0.7ECO PLATFORM,EGI-SECC,T0.	SA	1
8-5	3	M527	DE59-00002A	DIODE-H.V; MWO,2CL4512H/CL04-12A,500mA,12	SA	1
8-6	3	M042	DE91-70061C	ASSY H.V.FUSE; THV060T,5KV,700,SCREW,BLU,	SA	1
9	2	M058	6052-000075	CABLE CLAMP; PI 5.0, L75mm,T0.3,Si,WHITE	SNA	1
10	2	M035	OM75P(31)ESGN	ASSY-MGT; ASSY-MGT		1
11	2		DE94-05257A	ASSY HOLDER-WIRE; GE83M/BAL,DE94-02265E+D	SA	1
11-1	3	B022	DE94-02265E	ASSY BODY LATCH; ECO PUSH BUTTON,1A DOOR	SA	1
11-1-1	4	B076	DE66-00225A	LATCH BODY; 0.7/0.8 ECO PLATFORM,PP,WHITE	SNA	1
11-1-2	4	B048	3405-001034	SWITCH-MICRO; 125/250VAC,16A,200gf,SPST-N	SA	1
11-1-3	4	B046	3405-001032	SWITCH-MICRO; 125/250VAC,16A,200gf,SPDT,T	SA	1
11-1-4	4	L0001	DE66-00234A	LEVER SWITCH; MW73B,POM,F20-03,NATURAL,EC	SNA	1
11-1-5	4	S0021	3405-001116	SWITCH-MICRO; 125/250VAC,1A,200gf,SPST-NO	SA	1
11-2	3		DE96-00865L	ASSY WIRE HARNESS-MAIN; MG23K3513AK/EF,23	SA	1
12	2	M451	DE47-20032B	THERMOSTAT; AC125/250V,15/10A,85C,75C,Nor	SA	1
13	2	M436	DE47-20009A	THERMOSTAT; AC125/250V,15/10A,150C,60C,No	SA	1
14	2	P141	DE94-02322D	ASSY CAVITY-COATING; 0.8 CU.FT,GE83XR,0.8	SNA	1
15	2		DE63-00950A	COVER BACK-SUB; PBT+GF15%,V-0,BLACK,B4406	SA	1
16	2	H061	DE47-00016A	HEATER SHEATH-GRILL; AC230V,BKT,1100W(108	SA	1

No.	Lvl.	Loc.	Material Code	Description & Specification	SNA	Qty.
17	2	M015	DE96-00385E	POWER CORD-AT; H05VV-F 3x1.0mm2,GRY,EU3S,	SA	1
18	2	M020	DE96-01109C	ASSY MOTOR FAN; MG23J5133AT/EG,230V,50Hz,	SA	1
18-1	3	M023	DE31-10185A	MOTOR AC FAN; SMF-3RDEA1,2,230V,50Hz,20W,	SA	1
18-2	3	H099	DE31-90057A	BLADE-FAN; 3RD-W,PP,T1.5,T1.5,NATURAL	SA	1
18-3	3		DE63-00788A	COVER BLOWER; ECO, NC2K,PP+TD30%,T1.2,HB,	SA	1
18-4	3	M017	DE96-00399A	ASSY NOISE FILTER; SN-UF11A,250V/15A,250V	SA	1
18-4-1	4	M019	3601-001197	FUSE-CARTRIDGE; 250V,15A,SLOW-BLOW,CERAMI	SA	1
19	2		DE94-04945A	ASSY COVER AIR; MQ7000A,GI-SGCC,HALOGEN T	SA	1
19-1	3		DE63-00921A	COVER CEILING; MQ7000A,MICA SHEET,T0.3	SA	1
19-2	3		DE63-00917A	COVER AIR; MQ7000A,GI-SGCC,T0.4	SNA	1
19-3	3		4713-002343	LAMP-HALOGEN; 230V,110mA,25W,2500K(Frost)	SA	1
19-4	3		DE47-00041B	LAMP HOLDER HALOGEN; G9,1ea,SNAP IN FX,25	SA	1
20	2	M051	DE71-00159A	COVER-CEILING; CN2835,MICA SHEET,T0.3,-,-	SA	1
21	2	M008	DE63-00049B	GASKET-HEATER; CELLO,BRASS,T1,NATURAL	SNA	1
22	2	M012	DE61-01529A	BRACKET HEATER; 1.1 CELLO,EGI-SECC,T0.8	SNA	1
23	2	M003	DE61-01318A	BRACKET-UPPER(GRILL); 0.8 Chic,EGI-SECC,T	SNA	1
24	2	P186	DE63-00678A	COVER BACK; 0.8 chic,EGI-SECC,T0.4,GRILL	SNA	1
25	2	M535	DE61-30008A	SUPPORT HEATER; GE87H/BAL,ALUMINA,W31,L40	SA	1
26	2	M005	DE61-70060A	SPRING-PLATE; SK5,T0.5	SNA	1
27	2	M483	DE65-20014A	CABLE CLAMP; NY-66,DA-6N	SNA	1

2. Assy Door

Assy Door

Exploded View



Parts List

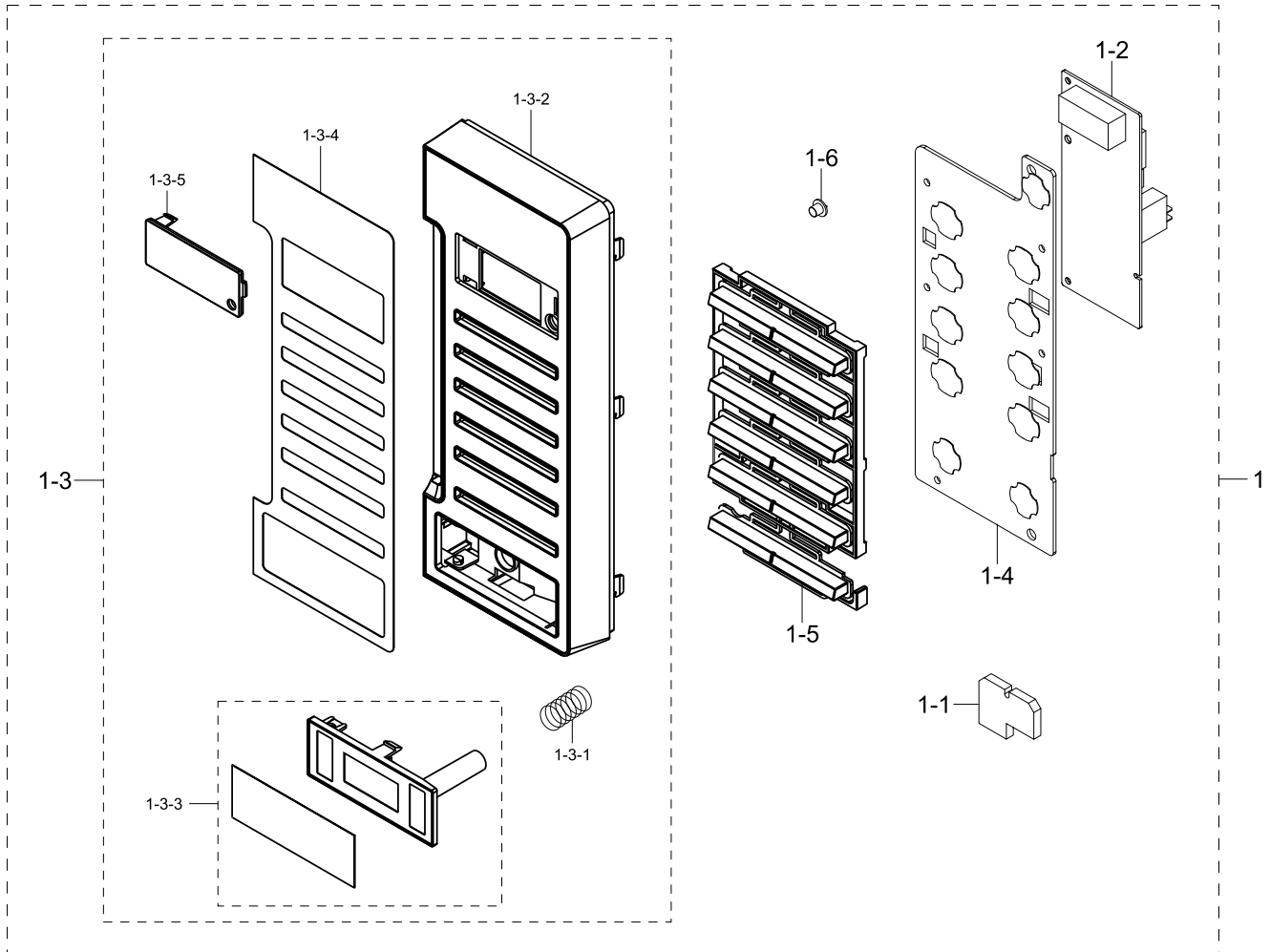
No.	Lvl.	Loc.	Material Code	Description & Specification	SNA	Qty.
1	2		DE94-02898K	ASSY DOOR-MODULE; GE87M/XET,ABS,BLACK,MBO	SA	1
1-1	3	D037	DE94-02893A	ASSY DOOR A; ME73MR,HG0760SR,BLACK,MARIMB	SA	1
1-1-1	4	Z779	DE64-02623A	INLAY-DOOR; MARIMBA,STS430,T0.4,W411.8,L2	SNA	1
1-1-2	4	D002	DE64-02621A	DOOR A; ME73MR,ABS,HG-0760SR,GE BLACK,Mar	SNA	1
1-2	3	D004	DE94-02262B	ASSY DOOR E-COATING; MW73BR,SCP T0.4,BLAC	SNA	1

No.	Lvl.	Loc.	Material Code	Description & Specification	SNA	Qty.
1-3	3	D005	DE64-00221E	FILM DOOR; -,CE2877N,PET,T0.15,W143,L264,	SNA	1
1-4	3	D007	DE61-00198A	SPRING KEY; M1877,HSWR-SWRH,PI0.7,D6,24 1	SNA	1
1-5	3	D006	DE64-02354A	DOOR C; 0.7ECO PLATFORM,PP,W255.1,L375.7,	SNA	1
1-6	3	D024	DE64-02616A	SCREEN DOOR-B; ME712MR,SAN,CR-5381,BLACK	SA	1
1-7	3	D011	DE64-02355A	KEY DOOR; 0.7ECO PLATFORM,POM,BLACK	SA	1

3. Assy Control Box

Assy Control Box

Exploded View



Parts List

No.	Lvl.	Loc.	Material Code	Description & Specification	SNA	Qty.
1	2	C082	DE94-02918A	ASSY CONTROL BOX-MODULE; GE87M/XEF,BLACK,	SNA	1
1-1	3	C058	DE63-00302A	CUSHION-PCB; PU FOAM,T5.0,W102,L78,BLACK,	SNA	1
1-2	3	F316	DE92-03439M	ASSY PCB MAIN; RCS-SMS3L-295,MUSE2-PJT,30	SA	1
1-3	3		DE94-02916A	ASSY CONTROL PANEL-(TACT); GE87M/XEF,BLAC	SA	1
1-3-1	4	R014	DE61-70076A	SPRING-BUTTON; HSWR-SWRH,PI0.6,OD19,L23,5	SNA	1
1-3-2	4	C005	DE64-02663A	CONTROL-PANEL; GE87M,ABS,HG-0760GP,EBONY	SNA	1

No.	Lvl.	Loc.	Material Code	Description & Specification	SNA	Qty.
1-3-3	4	C206	DE94-02908A	ASSY BUTTON-PUSH; GE712MR/BWT,ABS,STSS,SP	SA	1
1-3-4	4		DE64-02668A	INLAY PANEL; GE87M,STS430,T0.3,REAL STS43	SNA	1
1-3-5	4	C009	DE64-02664A	WINDOW-DISPLAY; GE87M,SAN,CR-5381,BLACK S	SNA	1
1-4	3	C084	DE96-00989A	ASSY KEY MODULE; GE87M/XEF,DKM-GE87M,MARI	SA	1
1-5	3		DE64-02666A	BUTTON SELECT-A; GE87M,ABS,NATURAL,0.8 MA	SA	1
1-6	3	C035	DE64-02667A	BUTTON-CLOCK; GE87M,ABS,GE BLACK,0.8 MARI	SNA	1