

---

# [WD8000T] WD90T984DSH/S3 EXPLODED VIEWS AND PARTS LIST

---

## [MATERIAL CODE STANDARDS]

Material codes and names and their respective naming rules are managed in accordance with the prescribed standards. Please refer to these standards when requesting a material.

### 1. Material Code Type

● : Number

■ : Letter (Alphabet)

<b>Type 1</b>	●●●●-●●●● ex) 0204-000418 FREON	<b>Enterprise-wide parts</b> Type 1 materials can be used for all Samsung Electronics products. (Most electrical parts belong to this type.)
<b>Type 2</b>	■●●●-●●●●■ ex) DC96-01390A ASSY-CONTROL	<b>Division-wide parts (DC**-Washing machine)</b> Type 2 materials can be used for specific products. (Most instruments and tools belong to this type.)

### 2. Ass'y Materials

All ass'y material codes start with DC9\*.

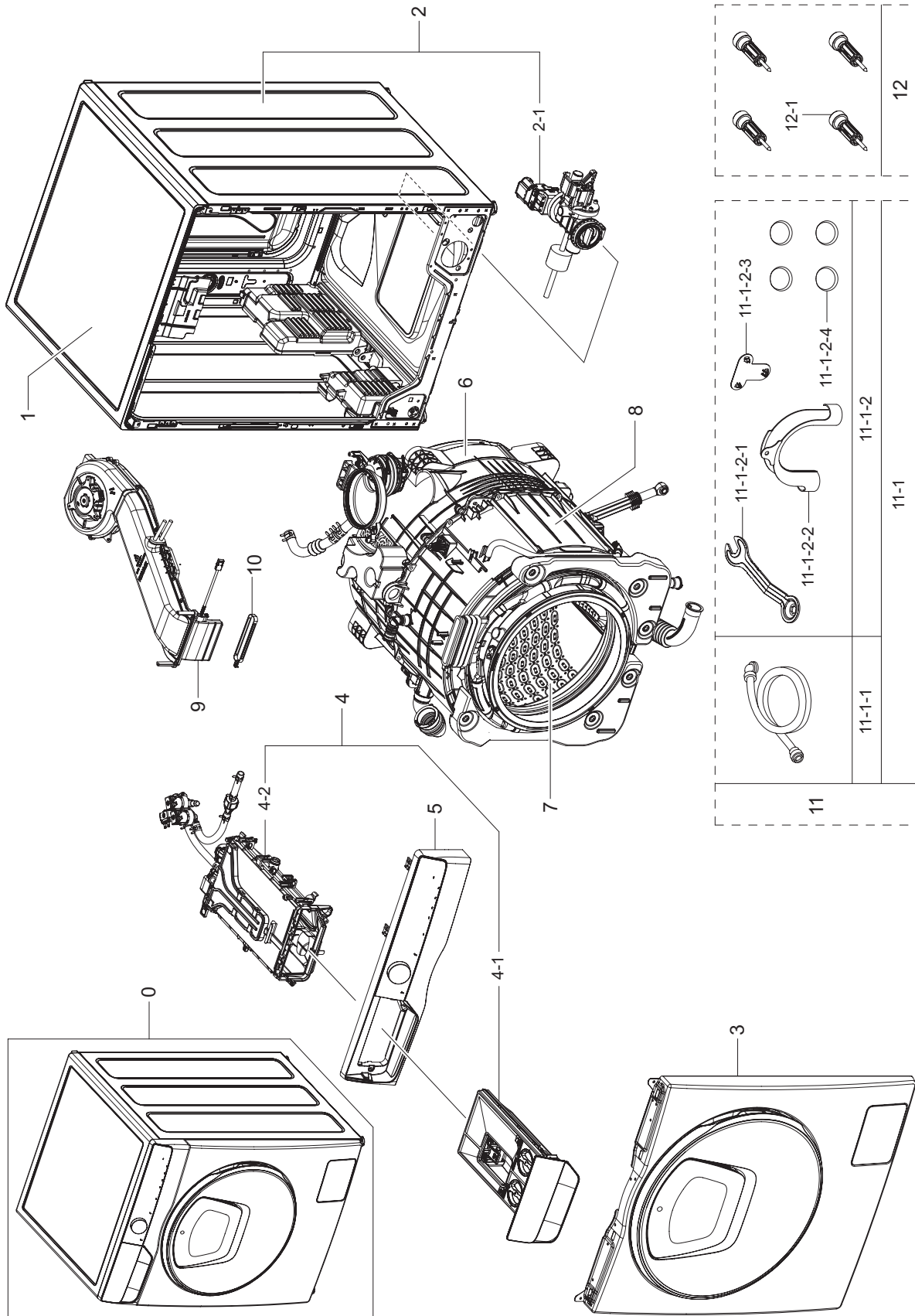
An ass'y material is created by combining more than two materials. If a requested material cannot be provided, you can request an ass'y material that contains that material.

### 3. For information about purchasing parts and tool, please visit <http://www.samsung.com/support>

### 4. The part that is assigned as SA (service available) will be able to purchase.

The part that is assigned as SNA ( service not available) will not supply, in result, not available in the market.

# 1. MAIN (WD90T984DSH/S3)

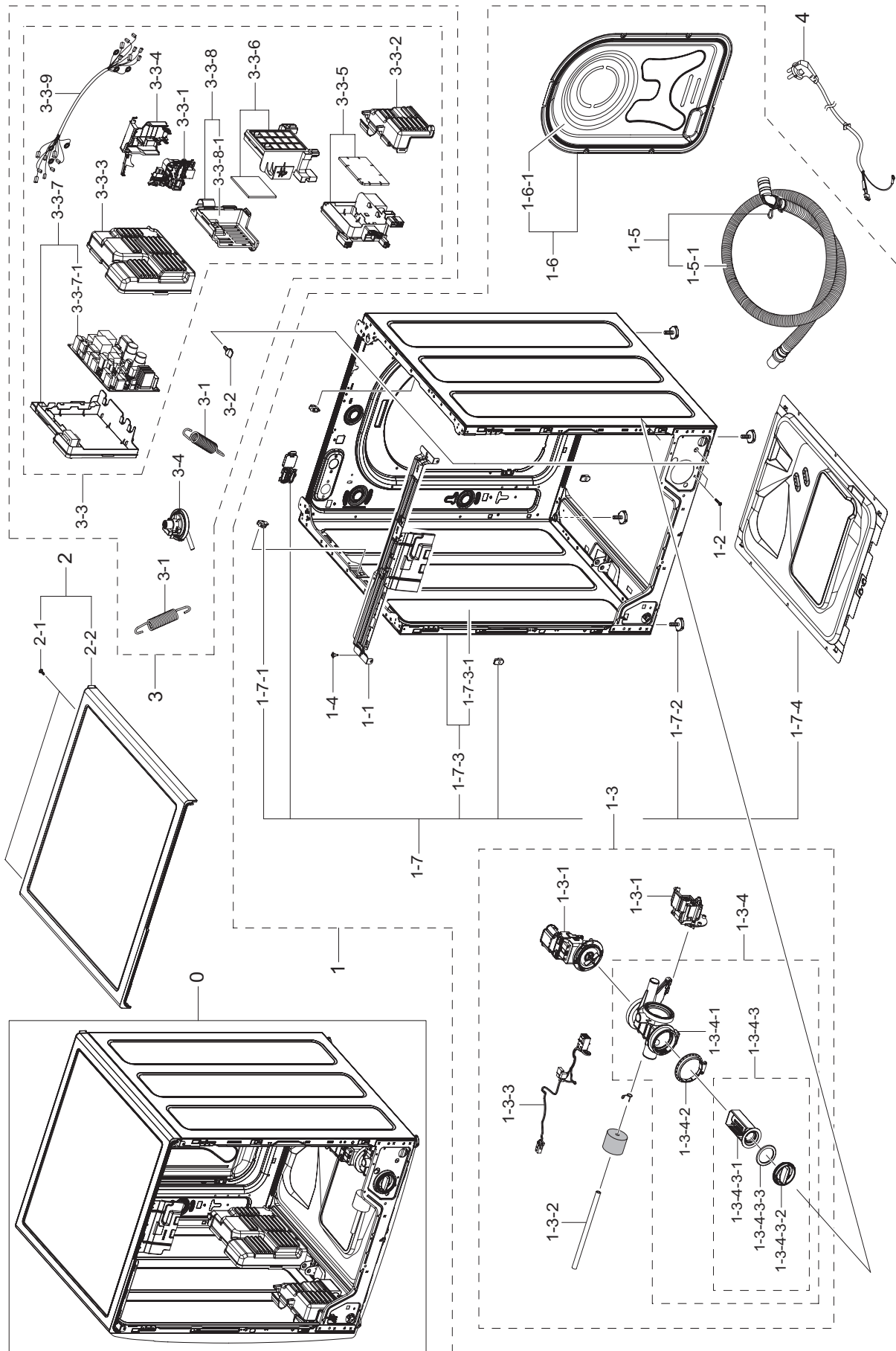


## MODEL CODE (WD90T984DSH/S3 )

Service Bom (SA: SERVICE AVAILABLE, SNA: SERVICE NOT AVAILABLE)

Drawing No.	Code No.	Description	Specification	QTY	Un	SA/SNA
0	WD90T984DSH/S3	ASSY-WASHING MACHINE				
1	DC90-28638A	ASSY COVER TOP PARTS	WD80T534DBW/S1	1	PC	SNA
2	DC90-28682A	ASSY FRAME PARTS	WD8000T,WD90T984DSH/S3	1	PC	SNA
2-1	DC97-15696P	ASSY PUMP DRAIN	GCO11,WW8GM642O2W/EG,BUB	1	PC	SNA
3	DC90-28765L	ASSY FRONT PARTS	WD80T954DSH/S3	1	PC	SNA
4	DC90-28679A	ASSY DRAWER PARTS	WD8000T,WD90T984DSH/S3	1	PC	SNA
4-1	DC97-22235C	ASSY DRAWER-MODULE	WW8000T AOW,WHITE- SI	1	PC	SNA
4-2	DC97-22238D	ASSY HOUSING DRAWER-MODULE	WW7000T,HEBA	1	PC	SNA
5	DC90-28652P	ASSY PANEL CONTROL PARTS	WD90T984DSH/S3	1	PC	SNA
6	DC90-28684A	ASSY TUB BACK PARTS	WD8000T,WD90T984DSH/	1	PC	SNA
7	DC90-28683A	ASSY DRUM PARTS	WD8000T,WD90T984DSH/S3	1	PC	SNA
8	DC90-28684B	ASSY TUB FRONT PARTS	WD8000T,WD90T984DSH	1	PC	SNA
9	DC93-00764A	ASSY DUCT SCROLL	Q-DRIVE COMBO,WD7800N&W	1	PC	SA
10	DC66-00782A	JOINT DIAPHRAGM	EGI-SECC,T1.0	1	PC	SA
11	DC90-28603V	ASSY ACCESSORY PARTS	WD80T534DBN/S1	1	PC	SNA
11-1	DC98-04384C	ASSY ACCESSORY	U-PJT HEBA 58,WD80T534DBN	1	PC	SNA
11-1-1	DC97-16921A	ASSY HOSE WATER	WA5700J	1	PC	SC
11-1-2	DC98-04384D	ASSY ACCESSORY	U-PJT HEBA 58,WD80T534DBN	1	PC	SNA
11-1-2-1	DC60-00104A	FASTENER-BOLT	ALL,CR-SPCC,2.0,L113.5	1	PC	SA
11-1-2-2	DC62-10278A	HOSE HANGER	PUMP MODEL,PP,ID27,T1.5,HS95	1	PC	SA
11-1-2-3	DC67-00208B	CAP-FIXER	WF8602NHS/XFA,PP,T1.5,COPO,BLA	1	PC	SA
11-1-2-4	DC67-00307A	CAP-FIXER	WF438AAC/XAA,PP,T1.5,COPO,BLAC	4	PC	SA
12	DC97-14653C	ASSY FIXER TUB	SCOUT,WF0804Y8E/XEF	4	PC	SA
12-1	DC60-60044B	WASHER PLAIN	WW65R20GLSW/TL,SWRCH18A,T2	4	PC	SA

## 2. ASSY FRAME & COVER PARTS (WD90T984DSH/S3)



## MODEL CODE (WD90T984DSH/S3)

Service Bom (SA: SERVICE AVAILABLE, SNA: SERVICE NOT AVAILABLE)

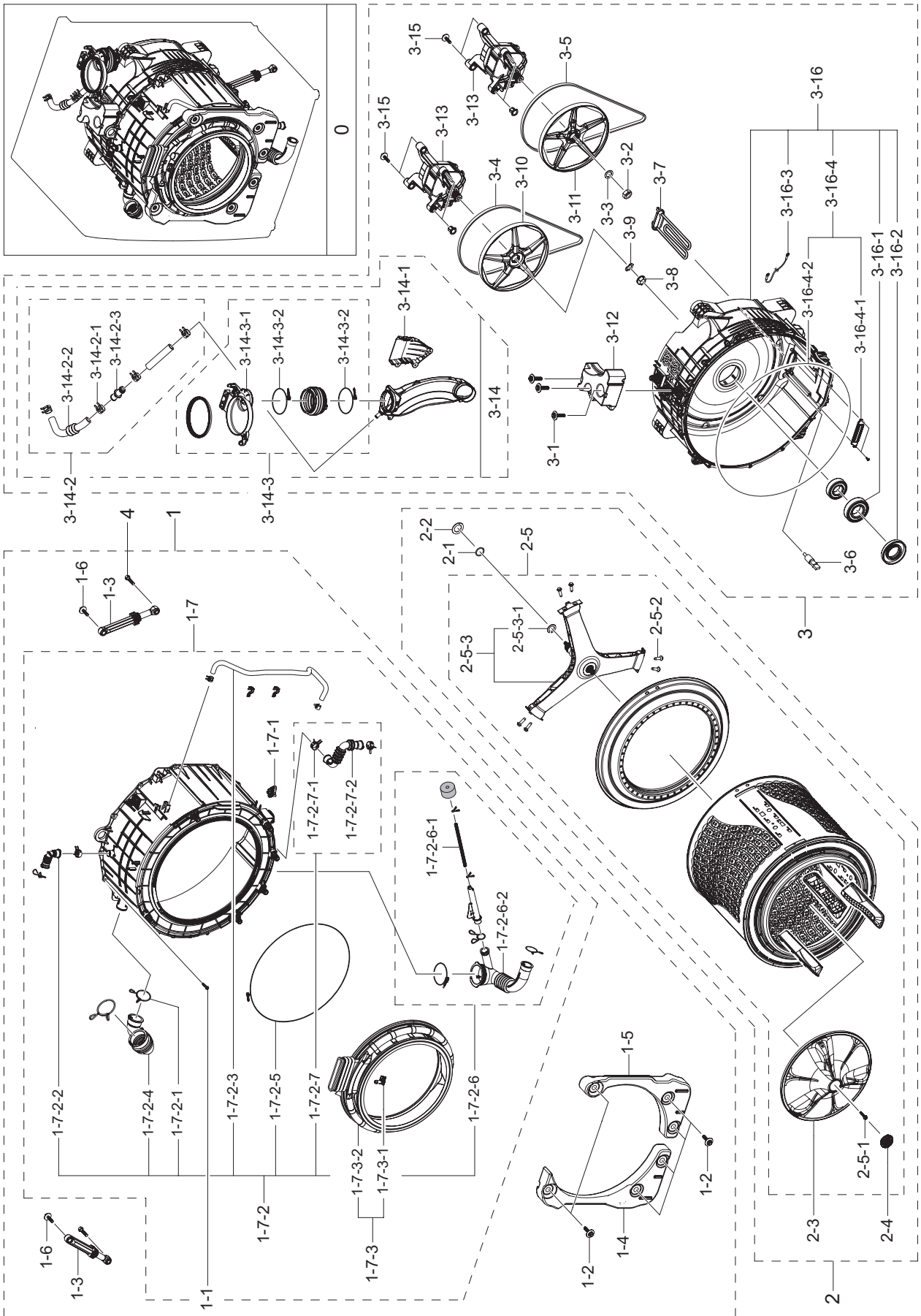
Drawing No.	Code No.	Description	Specification	QTY	Un	SA/SNA
0		ASSY FRAME & INNER PARTS				
1	DC90-28682A	ASSY FRAME PARTS	WD8000T,WD90T984DSH/S3	1	PC	SNA
1-1	DC97-22409A	ASSY FRAME PLATE-UP	WD5000T,T1.4,HEBA	1	PC	SA
1-2	DC97-14006C	ASSY SCREW	GRIFFIN-PJT,WF9904RWE,SWRCH18	2	PC	SNA
1-3	DC97-15696P	ASSY PUMP DRAIN	GCO11,WW8GM642O2W/EG,BUB	1	PC	SNA
1-3-1	DC31-00181A	MOTOR AC PUMP	Drum&Auto,B15-6A/S3019/S30	2	PC	SA
1-3-2	DC67-00244C	HOSE DRAIN	WF0804Y8E,EPDM,ID6,OD11,T2.5,	1	PC	SA
1-3-3	DC96-01567C	ASSY WIRE HARNESS	AEGIS 3- PJT,WF0702WKN	1	PC	SA
1-3-4	DC97-19914A	ASSY CASE FILTER	BUBBLE	1	PC	SA
1-3-4-1	DC61-02271B	CASE PUMP	WF0804Y8E/ XEF,PP+TD30%,T2.5,W1	1	PC	SA
1-3-4-2	DC69-01128A	PACKING-PUMP	WF8804DP,IIR,BUTYL,T2.5,HEB	1	PC	SA
1-3-4-3	DC97-15695C	ASSY FILTER	Heba,WF9904CWN1	1	PC	SA
1-3-4-3-1	DC63-00998A	FILTER PUMP	SCOUT-PJT,PP+TD30%,W52.8,L93	1	PC	SA
1-3-4-3-2	DC64-02783A	HANDLE FILTER	WF350ANW/XAA,PP+(GF+KD)30%	1	PC	SA
1-3-4-3-3	DC73-00022A	SEAL PACKING	SEW-HVR149ATA,EPDM,BLACK	1	PC	SA
1-4	DC97-15858A	ASSY SCREW	trumph-PJT,WF-F1061/YLP,SWRCH	2	PC	SNA
1-5	DC97-20913B	ASSY HOSE DRAIN(O)	Heba,1870,ID20.5	1	PC	SA
1-5-1	DC67-00992A	HOSE PUMP	Heba,PP,ID20.5,T1,DARK HOLDER	1	PC	SA
1-6	DC97-21048A	ASSY COVER BACK	WW6000T,WW90T654DLH/S6,U	1	PC	SNA
1-6-1	DC63-00862C	COVER BACK	WF8600NMW,GI-SGCC,T0.35,W352,	1	PC	SA
1-7	DC97-22335A	ASSY FRAME-MODULE	WW8000T,-WD90T984DSH/S	1	PC	SA
1-7-1	DC61-02065A	GUIDE SPRING	WF448AAG/XXA,POM,T4,W24,L36	2	PC	SA
1-7-2	DC97-00920W	ASSY LEG	WW6000T,WD90T654DBH/ S1,48.5,M10	4	PC	SA
1-7-3	DC97-22334A	ASSY FRAME	WW8000T,WD90T984DSH/S3,T1,DA	1	PC	SNA
1-7-3-1	DC61-04173Y	FRAME	WD90T984DSH/S3,GI-SGCC,DA WHITE,DA	1	PC	SNA
1-7-4	DC97-14642K	ASSY PLATE BOTTOM	WW7800M,WW90M76GN2A/EC	1	PC	SNA
2	DC90-28638A	ASSY COVER TOP PARTS	WD80T534DBW/S1	1	PC	SNA
2-1	6002-001438	SCREW-TAPPING	HWH,+,NO,1,M5,L12,ZPC(WHT)	2	PC	SNA
2-2	DC97-21151E	ASSY COVER TOP-MODULE	WW6000T(HEBA58),DA	1	PC	SA
3	DC90-28685A	ASSY INNER PARTS	WD8000T,WD90T984DSH/S3	1	PC	SNA
3-1	DC61-02029D	SPRING ETC-HANGER MODULE	WW6800M,HSWR,3.	2	PC	SA
3-2	DC61-10673C	CAP DRAIN	WF1802XEY/XSC,PP,BLACK	1	PC	SA

## MODEL CODE (WD90T984DSH/S3)

Service Bom (SA: SERVICE AVAILABLE, SNA: SERVICE NOT AVAILABLE)

Drawing No.	Code No.	Description	Specification	QTY	Un	SA/SNA
3-3	DC92-02788A	ASSY COVER PCB W/ HARNESS	WD90T984DSH/S3	1	PC	SNA
3-3-1	DC34-00028B	SWITCH DOOR LOCK	AC250V,16A,SOLENOID, DO	1	PC	SA
3-3-2	DC63-02152A	COVER PCB	MK,ABS,T2.5,5VA,NATURAL,VE-085	1	PC	SA
3-3-3	DC63-02598A	COVER PBA	WW6000T(F500E-SSEC),ABS,T2.5,5	1	PC	SA
3-3-4	DC63-02602A	COVER DOOR SWITCH	WW6000,PP,T2.5,5VA,NAT	1	PC	SA
3-3-5	DC92-02139D	ASSY PCB KIT	FWM,WW9000T,121*160,220V,15	1	PC	SA
3-3-6	DC92-02665A	ASSY PCB KIT	FWM_INV,COMBO MODULE,121x80	1	PC	SA
3-3-7	DC92-02710A	ASSY HOLDER PCB	WW8000T,DC94-10819A,Y,SM	1	PC	SA
3-3-7-1	DC94-10819A	ASSY PCB EEPROM	504E,WD9800T,Micom_D4+22	1	PC	SNA
3-3-8	DC92-02787A	ASSY COVER PBA	WD6000T	1	PC	SNA
3-3-8-1	DC63-02624A	COVER PBA	WW6000T(24" DRUM COMBO PLATFOR	1	PC	SA
3-3-9	DC93-00889A	ASSY WIRE HARNESS-MAIN	DRUM-M,WD90T984DS	1	PC	SA
3-4	DC96-01703G	SENSOR PRESSURE	Air,5V,L0,400mmH2O	1	PC	SA
4	DC39-00067A	POWER CORD-AT	H05VV-F 3x1.5mm2,GRY,EU3F,	1	PC	SA

### 3. ASSY TUB & DRUM PARTS (WD90T984DSH/S3)



## MODEL CODE (WD90T984DSH/S3)

Service Bom (SA: SERVICE AVAILABLE, SNA: SERVICE NOT AVAILABLE)

Drawing No.	Code No.	Description	Specification	QTY	Un	SA/ SNA
0		ASSY TUB & DRUM PARTS				
1	DC90-28684B	ASSY TUB FRONT PARTS	WD8000T,WD90T984DSH	1	PC	SNA
1-1	6009-001367	BOLT-HEX	M6.5,L32,ZPC(WHT),HWH,+,SWRCH18	15	PC	SNA
1-2	6011-003934	BOLT-HEX	M7.6,L48,ZPC(WHT),SCM 435,WASHE	3	PC	SA
1-3	DC66-00470G	DAMPER SHOCK-MODULE	24" Drum,PP/RUBBER/S	2	PC	SA
1-4	DC67-00944B	WEIGHT BALANCER-LEFT MODULE	WD6800N,CONC	1	PC	SA
1-5	DC67-01112B	WEIGHT BALANCER-RIGHT MODULE	WW10T754DBH	1	PC	SA
1-6	DC97-14263A	ASSY BOLT	MOTOR/BOLT(M8)+WASHER(OD27.5),	4	PC	SA
1-7	DC97-20524H	ASSY TUB FRONT-MODULE	WD90T984DSH/S3	1	PC	SA
1-7-1	DC32-00018A	SENSOR PHOTO	RCM-A301,5V	1	PC	SA
1-7-2	DC97-20566A	ASSY TUB FRONT	MK-PJT,WW6800M	1	PC	SNA
1-7-2-1	DC65-60118R	CLIP RING	AEGIS-PJT,HSWR-SWRH,T3.0,ID37	1	PC	SA
1-7-2-2	DC67-00354A	HOSE AIR	HEBA PJT,EPDM,BLACK,18.3g	1	PC	SA
1-7-2-3	DC67-00606A	HOSE AIR	AEGIS 2A COMBO BUBBLE-PJT,EPDM,	1	PC	SA
1-7-2-4	DC67-00674A	HOSE DRAWER TUB	SEINE COMBO,EPDM,ID34.9,	1	PC	SA
1-7-2-5	DC91-12077G	ASSY CLAMP DIAPHRAGM	AEGIS,WF8500NHW/YLP	1	PC	SA
1-7-2-6	DC97-14637R	ASSY HOSE PRESSURE	600mmH20,No PBA,Hook	1	PC	SNA
1-7-2-6-1	DC67-00230B	HOSE WATER	WF8800,TPE,ID4.5,OD8.0,T1.75,	1	PC	SC
1-7-2-6-2	DC67-00335A	HOSE FILTER TUB	AEGIS-PJT,EPDM,ID64.5	1	PC	SA
1-7-2-7	DC97-17515B	ASSY HOSE AIR	MK-PJT,6800M/7800M,BUBBLE	1	PC	SA
1-7-2-7-1	DC61-00158A	CLAMPER HOSE	SW65ASP,SK5,ID23,T0.8,-,-,-	2	PC	SA
1-7-2-7-2	DC67-00526A	HOSE AIR TUB	AEGIS3-PJT,EPDM,T2.8,BLACK	1	PC	SA
1-7-3	DC97-22330A	ASSY DIAPHRAGM	WD7000T	1	PC	SA
1-7-3-1	DC62-00349A	NOZZLE DIAPHRAGM	WF457ARGSGR,PP+TD20%,OD	1	PC	SA
1-7-3-2	DC64-03723A	DOOR DIAPHRAGM	WD6800N,EPDM,T1.5,LIGHT G	1	PC	SA
2	DC90-28683A	ASSY DRUM PARTS	WD8000T,WD90T984DSH/S3	1	PC	SNA
2-1	6044-001781	RING-OG	ID33,OD36.4,T1.8,BLK,NBR	1	PC	SA
2-2	DC60-00132A	WASHER-SPRING	STS304,T0.5,ID35.2,OD39.2,	1	PC	SA
2-3	DC97-20490A	ASSY PULSATOR-MODULE	WW6800N,1400RPM	1	PC	SA
2-4	DC97-20943A	ASSY PULSATOR CAP	WW8800M.WD8800N	1	PC	SA



## MODEL CODE (WD90T984DSH/S3)

Service Bom (SA: SERVICE AVAILABLE, SNA: SERVICE NOT AVAILABLE)

Drawing No.	Code No.	Description	Specification	QTY	Un	SA/ SNA
2-5	DC97-22364A	ASSY DRUM-MODULE	Qdrive-C-WD8000T,1400RP	1	PC	SA
2-5-1	DC60-00135A	BOLT PULSATOR	Q-DRIVE,STS430,L28,WASHER	1	PC	SA
2-5-2	DC60-40137A	BOLT HEX	MARS-PJT,STS430,M8,P1.25,L30,HE	6	PC	SA
2-5-3	DC97-20418D	ASSY FLANGE SHAFT	WW8800M,2 BEARING TYPE	1	PC	SA
2-5-3-1	6044-001198	RING-C	ID13.8,OD17.2,T1.0,SK5	1	PC	SA
3	DC90-28684A	ASSY TUB BACK PARTS	WD8000T,WD90T984DSH/	1	PC	SNA
3-1	6011-003934	BOLT-HEX	M7.6,L48,ZPC(WHT),SCM 435,WASHE	3	PC	SA
3-2	6021-001588	NUT-HEXAGON	1C,M10x1.5,ZPC(WHT),SM20C,NY	1	PC	SA
3-3	6031-002861	WASHER-SPRING	SK5,ID11.2,OD22.5,T1.25,DU	1	PC	SA
3-4	6602-003993	BELT-TIMING GEAR	5J,RUBBER,T3.2,W11.7,L1	1	PC	SNA
3-5	6602-003999	BELT-TIMING GEAR	5J,RUBBER,T3.2,W11.7,L1	1	PC	SNA
3-6	DC32-00010C	THERMISTOR	WASHER,-10~100,5,5,3.243k ± 2	1	PC	SA
3-7	DC47-00033B	HEATER WASH	AC230V,2000W,SUS316L,728mm,N	1	PC	SA
3-8	DC60-00128A	NUT SPIN	DUAL DRIVE,ZNDC,11mm,M28*1.5	1	PC	SNA
3-9	DC60-60011B	WASHER WAVE	STS301,ID28.7,OD42,T0.8,ACP	1	PC	SA
3-10	DC66-00936A	PULLEY MOTOR	DUAL DRIVE,ALDC,NATURAL,OD2	1	PC	SNA
3-11	DC66-00937A	PULLEY MOTOR	DUAL DRIVE,ALDC,NATURAL,OD2	1	PC	SNA
3-12	DC67-01026A	WEIGHT BALANCER-UP MODULE	WD6500N,Fe,T60	1	PC	SA
3-13	DC93-00586D	ASSY MOTOR BLDC- MODULE	WW7800M,WDM350FGA	2	PC	SA
3-14	DC93-00766H	ASSY DUCT CONDENSER	WD8000T,AOW TYPE	1	PC	SA
3-14-1	DC63-02263A	COVER CONDENSER	WD6800N,FRPP,T3,WHITE	1	PC	SA
3-14-2	DC97-21033B	ASSY NOZZLE HOSE	WD7800N,CONDENSER	1	PC	SA
3-14-2-1	DC65-00008B	CLAMPER HOSE	SSEC-GE,SK5,Dacromet,T1.0	6	PC	SA
3-14-2-2	DC67-00731A	HOSE DRAWER	VOLGA COMBO,EPDM,BLACK	1	PC	SA
3-14-2-3	DC97-18446A	ASSY NOZZLE CONNECTOR	WD9000H GLOBAL,WD2	1	PC	SA
3-14-3	DC97-21034B	ASSY HOSE CONNECTOR	WD8000T	1	PC	SA
3-14-3-1	DC67-01116A	DUCT CONNECTOR	PP+TD30%,T3,TB53,WHITE,U-	1	PC	SNA
3-14-3-2	DC97-14618F	ASSY CLAMP DIAPHRAGM	GRACE-2K,WD197ARGRS	2	PC	SA
3-15	DC97-14263A	ASSY BOLT	MOTOR/BOLT(M8)+WASHER(OD27.5),	4	PC	SA
3-16	DC97-20522F	ASSY TUB BACK-MODULE	Q-DRIVE COMBO	1	PC	SA

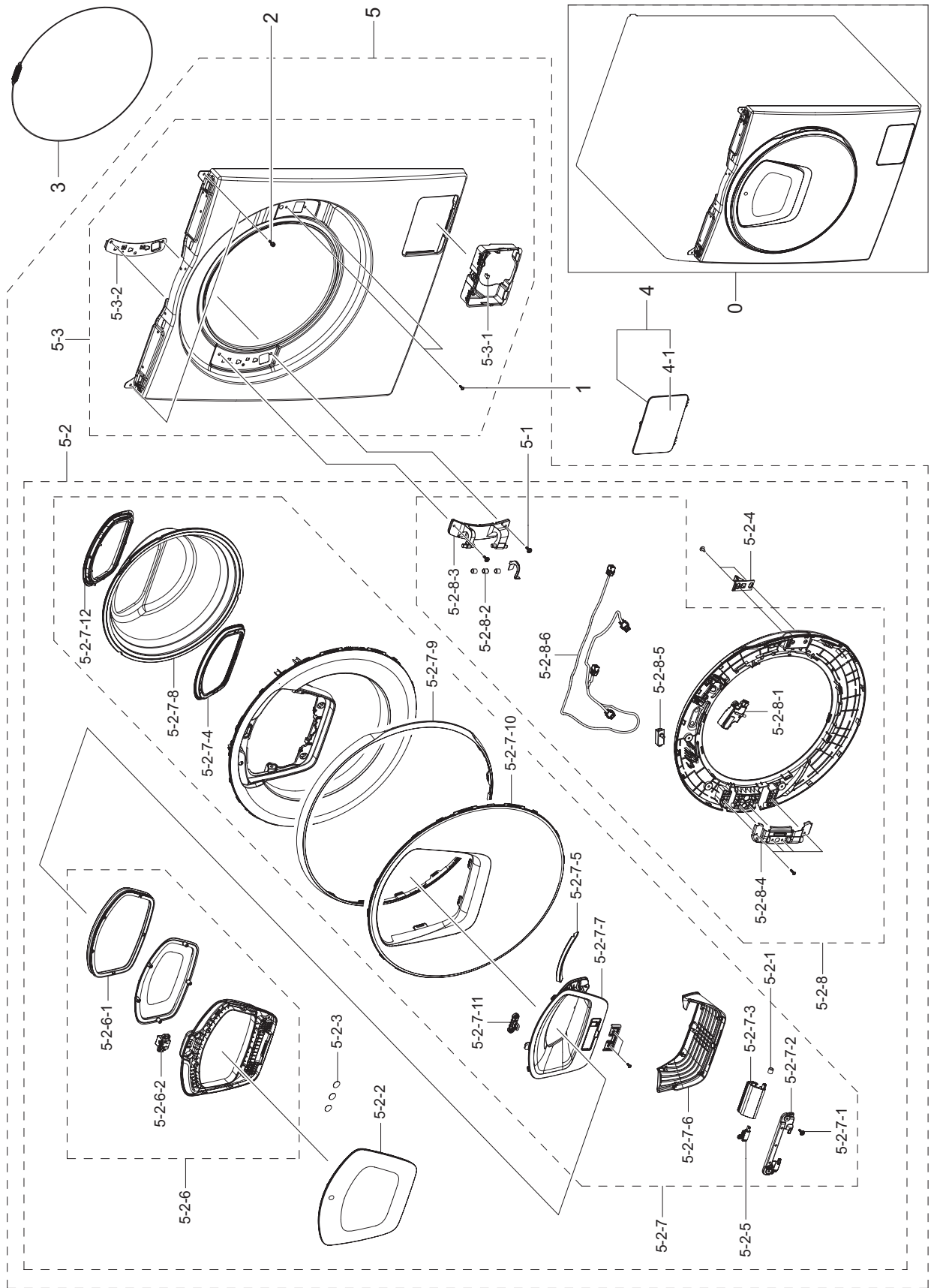
---

## MODEL CODE (WD90T984DSH/S3)

Service Bom (**SA**: SERVICE AVAILABLE, **SNA**: SERVICE NOT AVAILABLE)

Drawing No.	Code No.	Description	Specification	QTY	Un	SA/ SNA
3-16-1	6601-002637	BEARING BALL	6207ZZ,ID35,OD72,GCr15	1	PC	SA
3-16-2	DC62-00156A	SEAL OIL	TS85-PJT,NBR,BLK	1	PC	SA
3-16-3	DC96-01327D	ASSY WIRE HARNESS- EARTH	DRUM-M,WF1124ZAQ	1	PC	SA
3-16-4	DC97-20523A	ASSY TUB BACK	WW6800M	1	PC	SNA
3-16-4-1	DC61-02664B	BRACKET HEATER	HEBA,STS430,T0.5	1	PC	SA
3-16-4-2	DC69-01769A	PACKING-TUB	ARNO,EPDM,EPDM,T5.5,L1720,BL	1	PC	SA
4	DC60-40144A	BOLT HEX	F500,SM10C,T10,L35,DAMPER	2	PC	SA

# 4. ASSY FRONT PARTS (WD90T984DSH/S3)



## MODEL CODE (WD90T984DSH/S3)

Service Bom (SA: SERVICE AVAILABLE, SNA: SERVICE NOT AVAILABLE)

Drawing No	Code No.	Description	Specification	QTY	Un	SA/SNA
0	DC90-28765L	ASSY FRONT PARTS	WD80T954DSH/S3	1	PC	SNA
1	6002-001554	SCREW-TAPPING	BH,+ ,No,1,M4,L12,STS430,HE	2	PC	SNA
2	DE60-10080A	SCREW-TAPPING	PWH,+ ,2S,M5,L9,ZPC(WHT),SW	2	PC	SNA
3	DC91-12078E	ASSY WIRE DIAPHRAGM	AEGIS,WF8500NHW/YLP,	1	PC	SA
4	DC97-22290A	ASSY COVER FILTER	WW6000T,ABS,T2.5,DA WH	1	PC	SNA
4-1	DC63-00920M	COVER FILTER	ADD WASH,ABS,T2.5,DA WHITE,	1	PC	SA
5	DC97-22445J	ASSY FRAME FRONT	Q-COMBO,WD80T954DSH/S3,	1	PC	SNA
5-1	6009-001522	SCREW-HEX	HWH,+ ,M5,L16,PASS,STS430,FP,SE	2	PC	SA
5-2	DC97-22267B	ASSY DOOR-MODULE	WW8000T,ADD WASHER BETT	1	PC	SA
5-2-1	DC61-00891A	GUIDE HINGE	HAUZEN(DOM),POM,K300,NATURAL	1	PC	SA
5-2-2	DC63-01942F	COVER DOOR	WW8000T,ABS,BLACK CAVIAR,2nd	1	PC	SA
5-2-3	DC64-03303A	INLAY-DOOR	WD9500J,PET,T0.3,VERSAILLES G	3	PC	SA
5-2-3	DC64-03303A	INLAY-DOOR	WD9500J,PET,T0.3,VERSAILLES G	3	PC	SA
5-2-4	DC66-00375A	LEVER DOOR	10KG DRUM,ZNDC,T2.5,-,-,-,-,N	1	PC	SC
5-2-5	DC66-00878A	DAMPER SHOCK-AXIS	WD9500JK,POM,NATURAL	1	PC	SA
5-2-6	DC97-19300A	ASSY HOLDER GLASS	WW7500K,WW90K7405OW/EG	1	PC	SA
5-2-6-1	DC62-00474A	SEAL DOOR	Si,GY0039	1	PC	SA
5-2-6-2	DC97-19401A	ASSY LATCH	WW8500K	1	PC	SA
5-2-7	DC97-22273B	ASSY COVER DOOR	WW8000T,ADD WASHER BETTE	1	PC	SA
5-2-7-1	6009-001522	SCREW-HEX	HWH,+ ,M5,L16,PASS,STS430,FP,SE	2	PC	SA
5-2-7-2	DC61-04078A	SUPPORT HINGE	WD9500J,GI-SGCC,T1.4	1	PC	SA
5-2-7-3	DC61-04133D	HINGE DOOR	ADD WASH,PA6+GF50%,-,VERSAILL	1	PC	SA
5-2-7-4	DC62-00475A	SEAL RUBBER	ADD WASH,Si,GY0039	1	PC	SA
5-2-7-5	DC62-00477B	CAP	WW6/5/4600K,PP+TD30%,FC2305,VER SAILL	1	PC	SA
5-2-7-6	DC63-01943A	COVER HOLDER	24" ADD WASH,ABS,HB,VERSAIL	1	PC	SA
5-2-7-7	DC63-01945B	COVER-ADD IN	WW8/7/6/5500K,PP+TD30%,VERS	1	PC	SA
5-2-7-8	DC64-03390A	DOOR-GLASS	WW6500K,GLASS,T5,TRANSPARENT,	1	PC	SA
5-2-7-9	DC64-03949B	DECORATION COVER DOOR	DV90T8240SH/S1,ABS	1	PC	SA
5-2-7-10	DC64-03973A	DOOR SAFETY	U-PJT,MABS,T2.5,TX-0510,GRAN	1	PC	SA
5-2-7-11	DC66-00890A	LEVER-TIP	WW5500K,ZNDC,Ni Coating	1	PC	SA
5-2-7-12	DC62-00473A	SEAL CAP GUIDE	WW8/7/6/5500K,PP+TD30%,VE	1	PC	SA
5-2-8	DC97-22276A	ASSY HOLDER GLASS	WW8000T,ADD WASHER,Ver	1	PC	SA

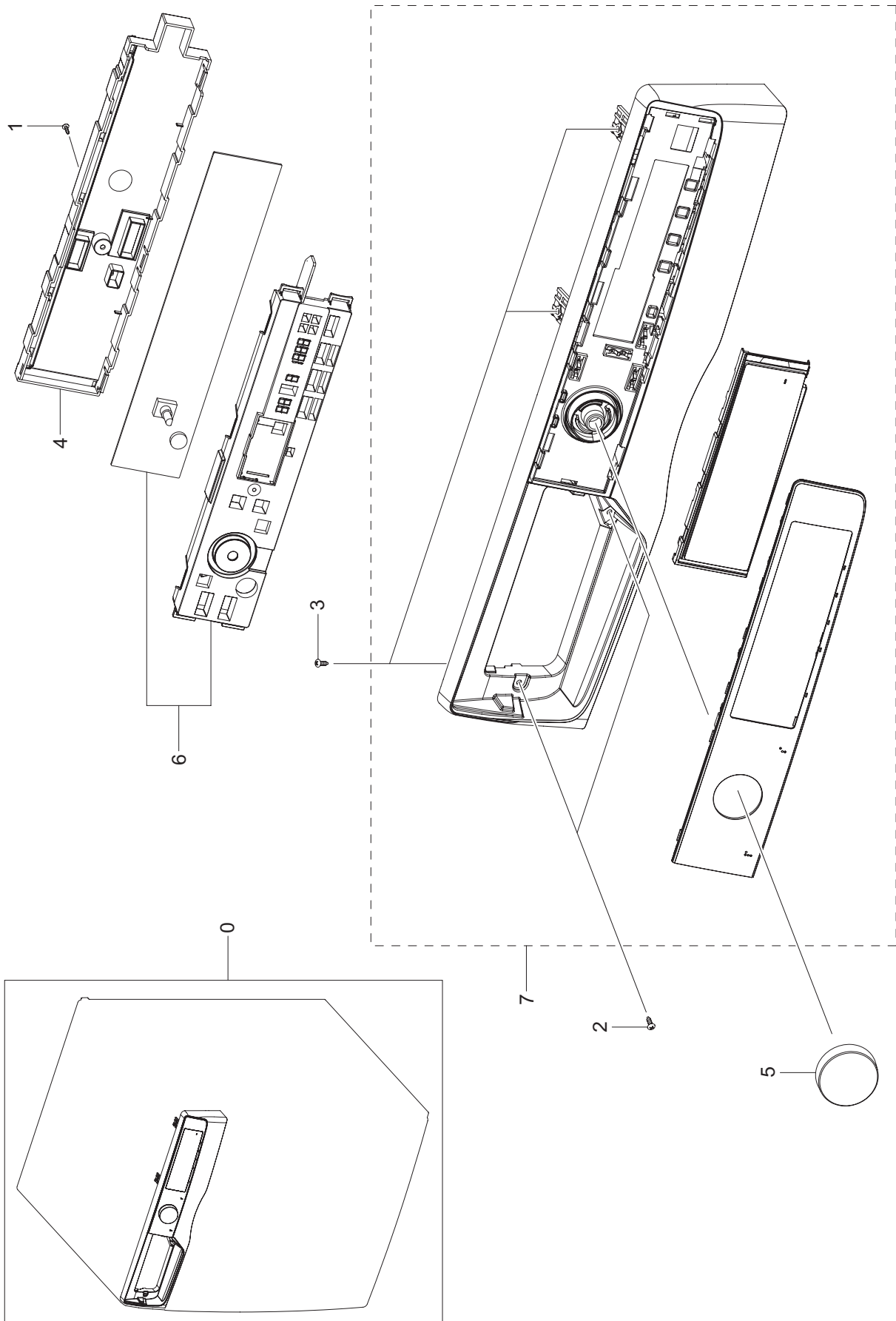
---

## MODEL CODE (WD90T984DSH/S3)

Service Bom (**SA**: SERVICE AVAILABLE, **SNA**: SERVICE NOT AVAILABLE)

Drawing No	Code No.	Description	Specification	QTY	Un	SA/SNA
5-2-8-1	DC34-00025D	SWITCH DOOR LOCK	DC12V,0.35	1	PC	SA
5-2-8-2	DC61-00891A	GUIDE HINGE	HAUZEN(DOM),POM,K300,NATURAL	1	PC	SA
5-2-8-3	DC61-04131A	HINGE DOOR	WW6/5500K,ALDC,T5	1	PC	SA
5-2-8-4	DC61-04134A	BRACKET HOLDER	WW6/5500K,GI-SGCC,T1.2	1	PC	SA
5-2-8-5	DC64-00828G	SWITCH DOOR	AC125/250V,1.5/0.75A,1BUTTON	1	PC	SA
5-2-8-6	DC93-00884A	ASSY WIRE HARNESS-SUB	DRUM-M,WW80T754DBT	1	PC	SA
5-3	DC97-22283H	ASSY FRAME FRONT-MODULE	WW7000T,DA WHITE	1	PC	SA
5-3-1	DA66-01072A	LATCH	LATOUR,POM,NATURAL,DC LATCH	1	PC	SA
5-3-2	DC61-01919B	BRACKET HINGE	WW6500K,GI-SGCC,T1.4,N/A	1	PC	SA

## 5. ASSY PANEL CONTROL PARTS (WD90T984DSH/S3)



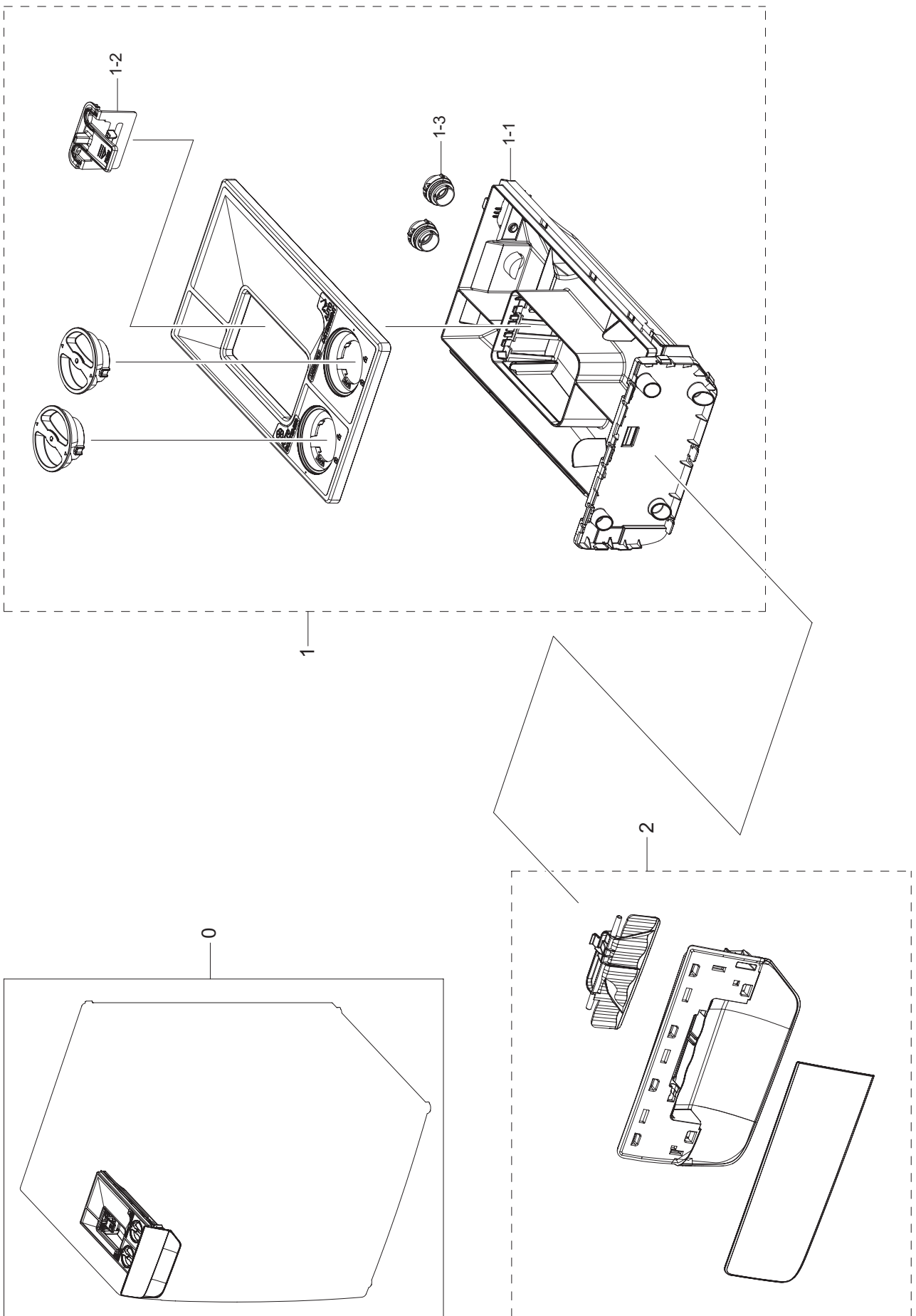
---

## MODEL CODE (WD90T984DSH/S3)

Service Bom (**SA**: SERVICE AVAILABLE, **SNA**: SERVICE NOT AVAILABLE)

Drawing No	Code No.	Description	Specification	QTY	Un	SA/SNA
0	DC90-28652P	ASSY PANEL CONTROL PARTS	WD90T984DSH/S3	1	PC	SNA
1	6002-000213	SCREW-TAPPING	TH,+,1,M4,L12,ZPC(WHT),SWR	1	PC	SNA
2	6002-000445	SCREW-TAPPING	TH,+,NO,2,M4,L18,PASS,STS4	2	PC	SNA
3	6006-001174	SCREW-TAPPING	TH,+,WT,2S,M4,L12,ZPC(WHT)	3	PC	SNA
4	DC63-02571A	COVER PCB-SUB	DV90T5740BV,PP+TD30%,T2,HB	1	PC	SA
5	DC64-03921A	KNOB ENCODER	A1 SIMPLE,ABS,HB,NATURAL,CH	1	PC	SA
6	DC92-02642Q	ASSY MODULE	FWM_Touch Display,WW8500T,8k	1	PC	SA
7	DC97-22157D	ASSY PANEL CONTROL-MODULE	WW9800T,WW90T9	1	PC	SA

## 6. ASSY DRAWER PARTS (WD90T984DSH/S3)





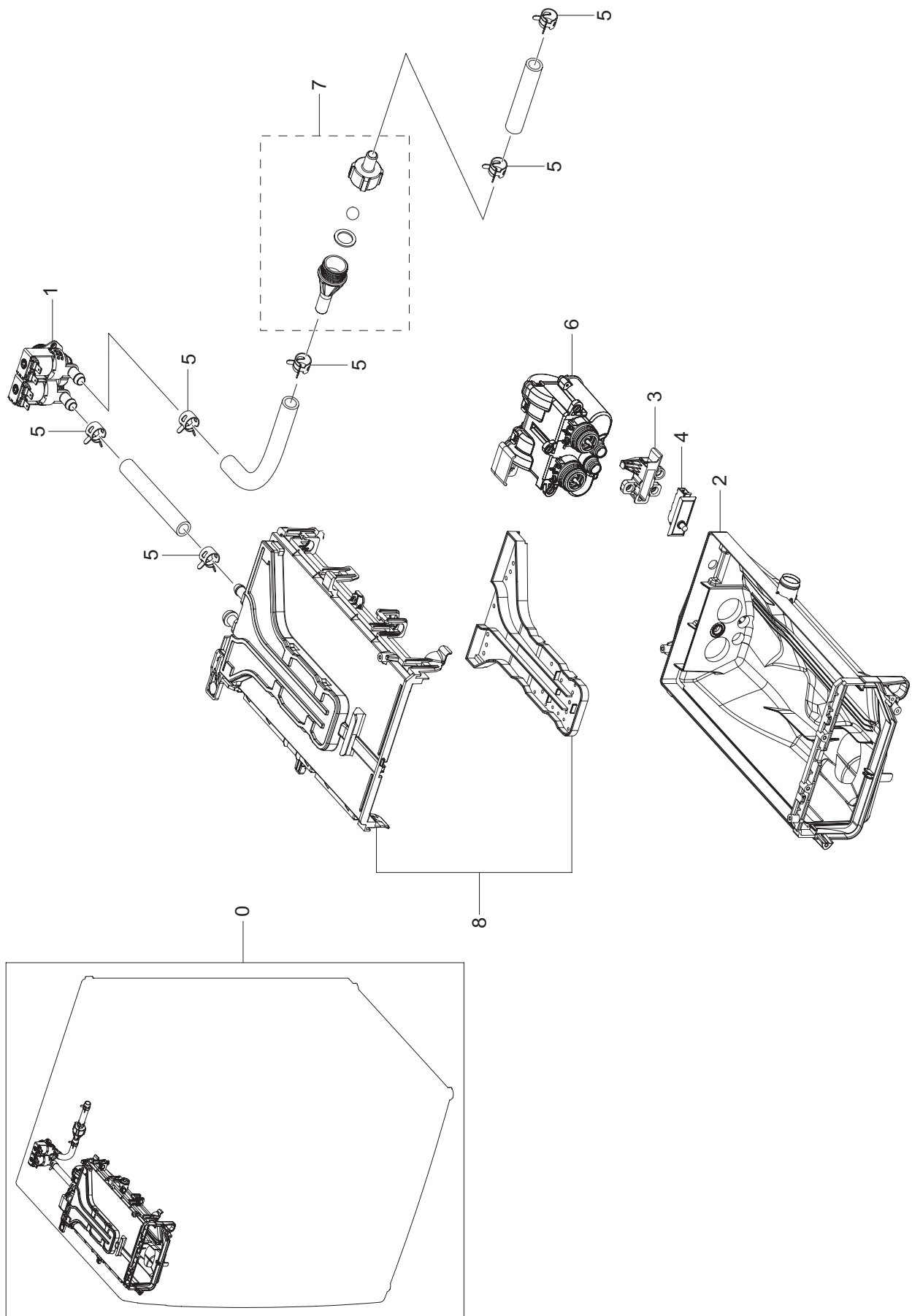
---

## MODEL CODE (WD90T984DSH/S3)

Service Bom (**SA**: SERVICE AVAILABLE, **SNA**: SERVICE NOT AVAILABLE)

Drawing No.	Code No.	Description	Specification	QTY	Un	SA/SNA
0	DC97-22235C	ASSY DRAWER-MODULE	WW8000T AOW,WHITE- SI	1	PC	SNA
1	DC97-22236A	ASSY DRAWER	U-PJT,WW7000T,24inch	1	PC	SA
1-1	DC61-05188A	BODY DRAWER	WW8000T,PP+TD30%,DA WHITE,FC	1	PC	SA
1-2	DC67-00928A	CAP GUIDE WATER	WW8800M,PP+TD30%,MT43,Ho	1	PC	SA
1-3	DC97-22023B	ASSY CAP V.W	WF65000T	2	PC	SA
2	DC97-22280A	ASSY PANEL DRAWER	U-PJT,WW8000T IMD,AOW	1	PC	SA

## 7. ASSY HOUSING DRAWER PARTS (WD90T984DSH/S3)



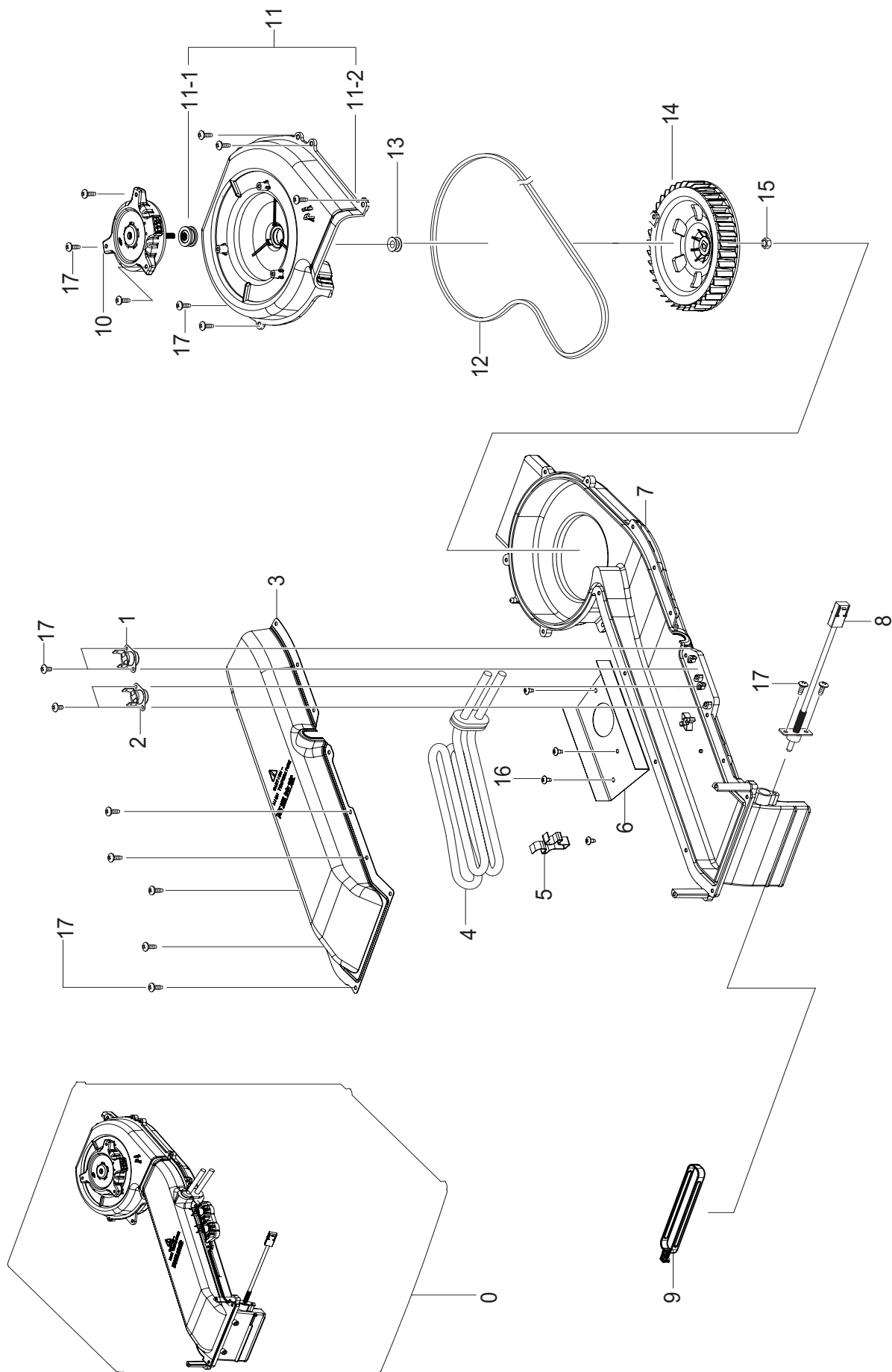
---

## MODEL CODE (WD90T984DSH/S3)

Service Bom (**SA**: SERVICE AVAILABLE, **SNA**: SERVICE NOT AVAILABLE)

Drawing No.	Code No.	Description	Specification	QTY	Un	SA/SNA
0	DC97-22238D	ASSY HOUSING DRAWER-MODULE	WW7000T,HEBA	1	PC	SNA
1	DC62-00233K	VALVE WATER	DC12V,Bracket,mm,#250,1,3,0.	1	PC	SA
2	DC61-05190A	HOUSING DRAWER-LOW	WW8000T,PP+TD30%,T2,N	1	PC	SA
3	DC63-02160A	COVER DOOR SWITCH	WW10M86DQOO/EU,PP+TD30	1	PC	SA
4	DC64-00828H	SWITCH DOOR	AC125-250V,0.75-1.5A,1BUTTON	1	PC	SA
5	DC65-00008B	CLAMPER HOSE	SSEC-GE,SK5,Dacromet,T1.0	6	PC	SA
6	DC97-19821A	ASSY PUMP DRAIN	ASD,WD9500M,12V,DC	1	PC	SA
7	DC97-21031A	ASSY NOZZLE CONNECTOR	WD6800N	1	PC	SA
8	DC97-22239A	ASSY S.HOUSING DRAWER	U-PJT,WW7000T,PP,2	1	PC	SA

# 8.ASS'Y DUCT SCROLL (WD90T984DSH/S3)

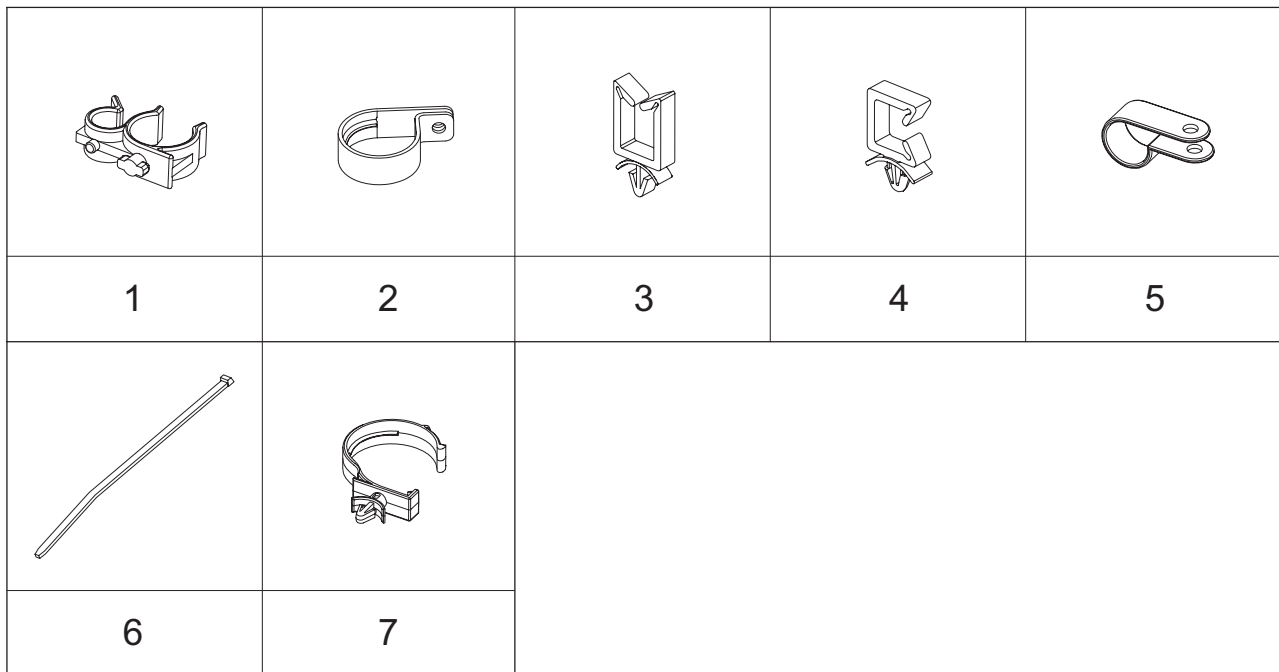


## MODEL CODE (WD90T984DSH/S3)

Service Bom (SA: SERVICE AVAILABLE, SNA: SERVICE NOT AVAILABLE)

Drawing No.	Code No.	Description	Specification	QTY	Un	SA/SNA
0	DC93-00764A	ASSY DUCT SCROLL	Q-DRIVE COMBO,WD7800N&W	1	PC	SA
1	DC47-00016B	THERMOSTAT	AC125/250V,25A,125,-35,S.O.D,	1	PC	SA
2	DC47-00016C	THERMOSTAT	AC125/250V,16A,125,-35,MANUAL	1	PC	SA
3	DC61-04627A	HOUSING FAN-UP FRONT	WD6800N/7800N,STS43	1	PC	SA
4	DC47-00008F	HEATER DRY	AC230V,1600W,INCOLOY800,897mm	1	PC	SA
5	DC61-02526A	BRACKET HEATER	AEGIS-COMBO,STAINLESS-STS	1	PC	SNA
6	DC63-01162A	COVER-HOUSING	WD0704CQR,STAINLESS-STS430	1	PC	SNA
7	DC61-04625A	HOUSING FAN-LOW	WD6800N/7800N,ALDC,T2,NA	1	PC	SA
8	DC32-00004C	THERMISTOR	DRYER,-20□ ~ 170□,5,5,3.3k+5%	1	PC	SNA
9	DC66-00782A	JOINT DIAPHRAGM	EGI-SECC,T1.0	1	PC	SA
10	DC31-00164A	MOTOR BLDC FAN	DWD00618BRA,2650,24V	1	PC	SA
11	DC93-00765A	ASSY COVER HOUSING	Q-DRIVE COMBO,WD7800N	1	PC	SA
11-1	DC62-00450A	SEAL WATER	NBR,BLACK,-	1	PC	SNA
11-2	DC61-04626A	HOUSING FAN-UP REAR	WD6800N/7800N,PA66+G	1	PC	SNA
12	DC69-01039K	PACKING-DUCT	SEINE-COMBO,Rubber,DUCT SEA	1	PC	SNA
13	DC62-00450A	SEAL WATER	NBR,BLACK,-	1	PC	SNA
14	DC67-00975A	FAN DRY	PA66+GF30%,T2.5,WD6800N/7800N	1	PC	SA
15	6021-001868	NUT-HEXAGON	LEFT HAND SCREW,M6,STS304	1	PC	SA
16	6002-001554	SCREW-TAPPING	BH,+,No,1,M4,L12,STS430,HE	2	PC	SNA
17	6006-001174	SCREW-TAPPING	TH,+,WT,2S,M4,L12,ZPC(WHT)	3	PC	SNA

## 9. SMALL PARTS (WD90T984DSH/S3)



### MODEL CODE: WD90T984DSH/S3

Service Bom (SA: SERVICE AVAILABLE, SNA: SERVICE NOT AVAILABLE)

NO.	Code No.	Description	Specification	InstPoint	QTY	Un	SA/ SNA
1	DC61-00133A	CLAMPER HOSE-FIX	P1291,PP,HOSE+PLUG,BJ-750	FRM+H- DRAIN+P-CODE	3	PC	SA
2	DC61-00118A	CLAMP-CABLE	"P1291,PA66,ID27,OD30,NATURAL,- -,NC0001"	ASSY FRAME PARTS	1	PC	SA
3	DC61-00553B	CABLE CLAMP	DAWS-3NE,PA66,NTR	ASSY PAINT FRAME	1	PC	SNA
4	DC61-00553C	CABLE CLAMP	-,PA66,NTR	ASSY PANEL CONTROL	1	PC	SNA
5	6502-000168	CABLE CLAMP	DA-6N,ID10.0,T1.0,NYLON6/6,NAT	-	1	PC	SNA
6	DC65-10001A	CABLE TIE	CT-140,T1.1,W3.5,L145,NTR, NYLON66	HEATER-DRY HARNESS	1	PC	SNA
7	DC61-02879A	HOLDER WIRE	"WF8804CPA,PA,L58.6,NATURAL, 2110R"	FRAME+HOSE(O)	1	PC	SNA

## 10. PARTS LIST (SCREW TYPE)

### MODEL CODE (WD90T984DSH/S3)

Service Bom (SA: SERVICE AVAILABLE, SNA: SERVICE NOT AVAILABLE)

Code No.	Description	Specification	QTY	Un	SA/SNA
6002-001438	SCREW-TAPPING	HWH,+,NO,1,M5,L12,ZPC(WHT)	2	PC	SNA
6002-000213	SCREW-TAPPING	TH,+,1,M4,L12,ZPC(WHT),SWR	1	PC	SNA
6002-000445	SCREW-TAPPING	TH,+,NO,2,M4,L18,PASS,STS4	2	PC	SNA
6006-001174	SCREW-TAPPING	TH,+,WT,2S,M4,L12,ZPC(WHT)	3	PC	SNA
6003-000226	SCREW-TAPTYPE	TH,+,-,S,M4,L8,ZPC(WHT),SW	2	PC	SNA
6006-001174	SCREW-TAPPING	TH,+,WT,2S,M4,L12,ZPC(WHT)	3	PC	SNA
6002-000444	SCREW-TAPPING	TH,+,2,M4,L14,PASS,STS430	7	PC	SNA
6002-000213	SCREW-TAPPING	TH,+,1,M4,L12,ZPC(WHT),SWR	1	PC	SNA
6002-000445	SCREW-TAPPING	TH,+,NO,2,M4,L18,PASS,STS4	2	PC	SNA
6003-001768	SCREW-TAPTYPE	TH,+,WT,S,M4,L10,ZPC(WHT),	2	PC	SNA
6006-001174	SCREW-TAPPING	TH,+,WT,2S,M4,L12,ZPC(WHT)	3	PC	SNA
6009-001343	SCREW-SPECIAL	PH,TORX,M4,L12,ZPC(WHT),SW	2	PC	SNA
DC97-14006C	ASSY SCREW	GRIFFIN-PJT,WF9904RWE,SWRCH18	2	PC	SNA
6002-001436	SCREW-TAPPING	PH,+,2,M4,L18,ZPC(WHT),SWR	6	PC	SNA
DC97-15858A	ASSY SCREW	trumph-PJT,WF-F1061/YLP,SWRCH	2	PC	SNA
6002-001327	SCREW-TAPPING	PWH,+,1,M4,L12,ZPC(WHT),SW	4	PC	SNA
6003-000226	SCREW-TAPTYPE	TH,+,-,S,M4,L8,ZPC(WHT),SW	2	PC	SNA
6006-001174	SCREW-TAPPING	TH,+,WT,2S,M4,L12,ZPC(WHT)	3	PC	SNA
6002-001006	SCREW-TAPPING	TH,+,-,2S,M4,L12,PASS,STS4	3	PC	SNA
6002-000445	SCREW-TAPPING	TH,+,NO,2,M4,L18,PASS,STS4	2	PC	SNA
6003-000226	SCREW-TAPTYPE	TH,+,-,S,M4,L8,ZPC(WHT),SW	2	PC	SNA
6002-000445	SCREW-TAPPING	TH,+,NO,2,M4,L18,PASS,STS4	2	PC	SNA
6003-001768	SCREW-TAPTYPE	TH,+,WT,S,M4,L10,ZPC(WHT),	2	PC	SNA
6006-001174	SCREW-TAPPING	TH,+,WT,2S,M4,L12,ZPC(WHT)	3	PC	SNA
6002-001554	SCREW-TAPPING	BH,+,No,1,M4,L12,STS430,HE	2	PC	SNA
6002-000213	SCREW-TAPPING	TH,+,1,M4,L12,ZPC(WHT),SWR	1	PC	SNA
6002-000444	SCREW-TAPPING	TH,+,2,M4,L14,PASS,STS430	7	PC	SNA
6002-000445	SCREW-TAPPING	TH,+,NO,2,M4,L18,PASS,STS4	2	PC	SNA
6003-000226	SCREW-TAPTYPE	TH,+,-,S,M4,L8,ZPC(WHT),SW	2	PC	SNA
6006-001174	SCREW-TAPPING	TH,+,WT,2S,M4,L12,ZPC(WHT)	3	PC	SNA
6002-000213	SCREW-TAPPING	TH,+,1,M4,L12,ZPC(WHT),SWR	1	PC	SNA
6001-000115	SCREW-MACHINE	BH,+,M3,L10,ZPC(WHT),SWRCH	2	PC	SNA

## MODEL CODE (WD90T984DSH/S3)

Service Bom (SA: SERVICE AVAILABLE, SNA: SERVICE NOT AVAILABLE)

Code No.	Description	Specification	QTY	Un	SA/SNA
6001-000115	SCREW-MACHINE	BH,+ ,M3,L10,ZPC(WHT),SWRCH	2	PC	SNA
6001-000516	SCREW-MACHINE	PH,+ ,-,M3,L10,ZPC(WHT),SWR	1	PC	SNA
6001-000115	SCREW-MACHINE	BH,+ ,M3,L10,ZPC(WHT),SWRCH	2	PC	SNA
6006-001174	SCREW-TAPPING	TH,+ ,WT,2S,M4,L12,ZPC(WHT)	3	PC	SNA
6002-001320	SCREW-TAPPING	TH,+ ,NO,2S,M4,L8,PASS,STS3	4	PC	SNA
6002-001554	SCREW-TAPPING	BH,+ ,No,1,M4,L12,STS430,HE	2	PC	SNA
6006-001174	SCREW-TAPPING	TH,+ ,WT,2S,M4,L12,ZPC(WHT)	3	PC	SNA
6009-001522	SCREW-HEX	HWH,+ ,M5,L16,PASS,STS430,FP,SE	2	PC	SA
6002-000213	SCREW-TAPPING	TH,+ ,1,M4,L12,ZPC(WHT),SWR	1	PC	SNA
6002-000444	SCREW-TAPPING	TH,+ ,2,M4,L14,PASS,STS430	7	PC	SNA
6002-001279	SCREW-TAPPING	PWH,+ ,1,M4,L12,PASS,STS430	2	PC	SNA
6002-001286	SCREW-TAPPING	FH,+ ,-,1,M4,L16,PASS,STS43	4	PC	SNA
6002-000630	SCREW-TAPPING	PH,+ ,2S,M3,L8,ZPC(WHT),SWR	7	PC	SNA
6002-000213	SCREW-TAPPING	TH,+ ,1,M4,L12,ZPC(WHT),SWR	1	PC	SNA
6002-000213	SCREW-TAPPING	TH,+ ,1,M4,L12,ZPC(WHT),SWR	1	PC	SNA
6002-000444	SCREW-TAPPING	TH,+ ,2,M4,L14,PASS,STS430	7	PC	SNA
6009-001522	SCREW-HEX	HWH,+ ,M5,L16,PASS,STS430,FP,SE	2	PC	SA
6002-000445	SCREW-TAPPING	TH,+ ,NO,2,M4,L18,PASS,STS4	2	PC	SNA
6002-000470	SCREW-TAPPING	TH,+ ,NO,1,M4,L10,ZPC(WHT),	2	PC	SNA
DE60-10080A	SCREW-TAPPING	PWH,+ ,2S,M5,L9,ZPC(WHT),SW	2	PC	SNA