

[WD5000T] WD10T534DBW/S3 EXPLODED VIEWS AND PARTS LIST

[MATERIAL CODE STANDARDS]

Material codes and names and their respective naming rules are managed in accordance with the prescribed standards. Please refer to these standards when requesting a material.

1. Material Code Type

● : Number

■ : Letter (Alphabet)

Type 1	●●●●●-●●●●● ex) 0204-000418 FREON	Enterprise-wide parts Type 1 materials can be used for all Samsung Electronics products. (Most electrical parts belong to this type.)
Type 2	■■●●●-●●●●●■ ex) DC96-01390A ASSY-CONTROL	Division-wide parts (DC**-Washing machine) Type 2 materials can be used for specific products. (Most instruments and tools belong to this type.)

2. Ass'y Materials

All ass'y material codes start with DC9*.

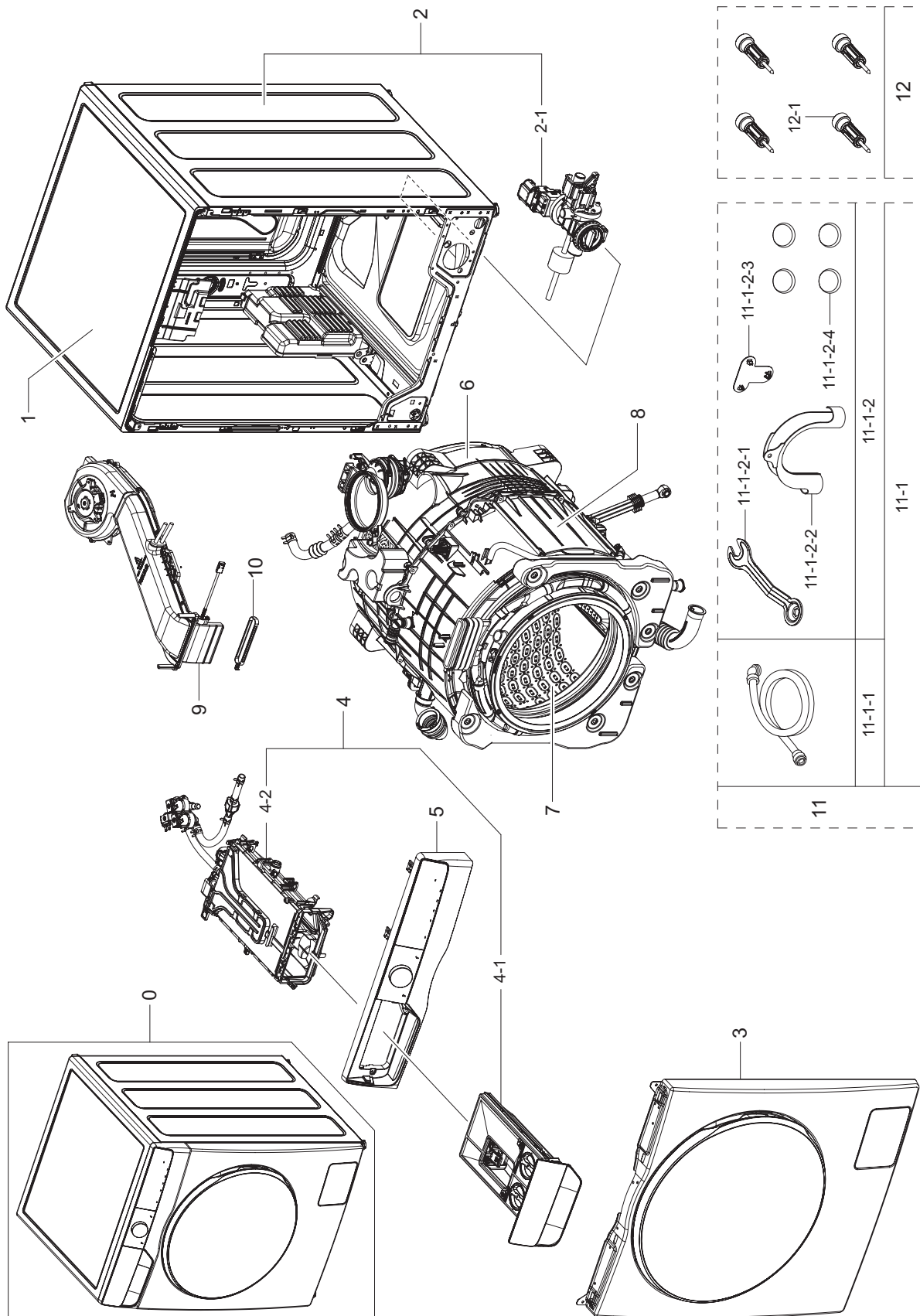
An ass'y material is created by combining more than two materials. If a requested material cannot be provided, you can request an ass'y material that contains that material.

3. For information about purchasing parts and tool, please visit <http://www.samsung.com/support>

4. The part that is assigned as SA (service available) will be able to purchase.

The part that is assigned as SNA (service not available) will not supply, in result, not available in the market.

1. MAIN (WD10T534DBW/S3)

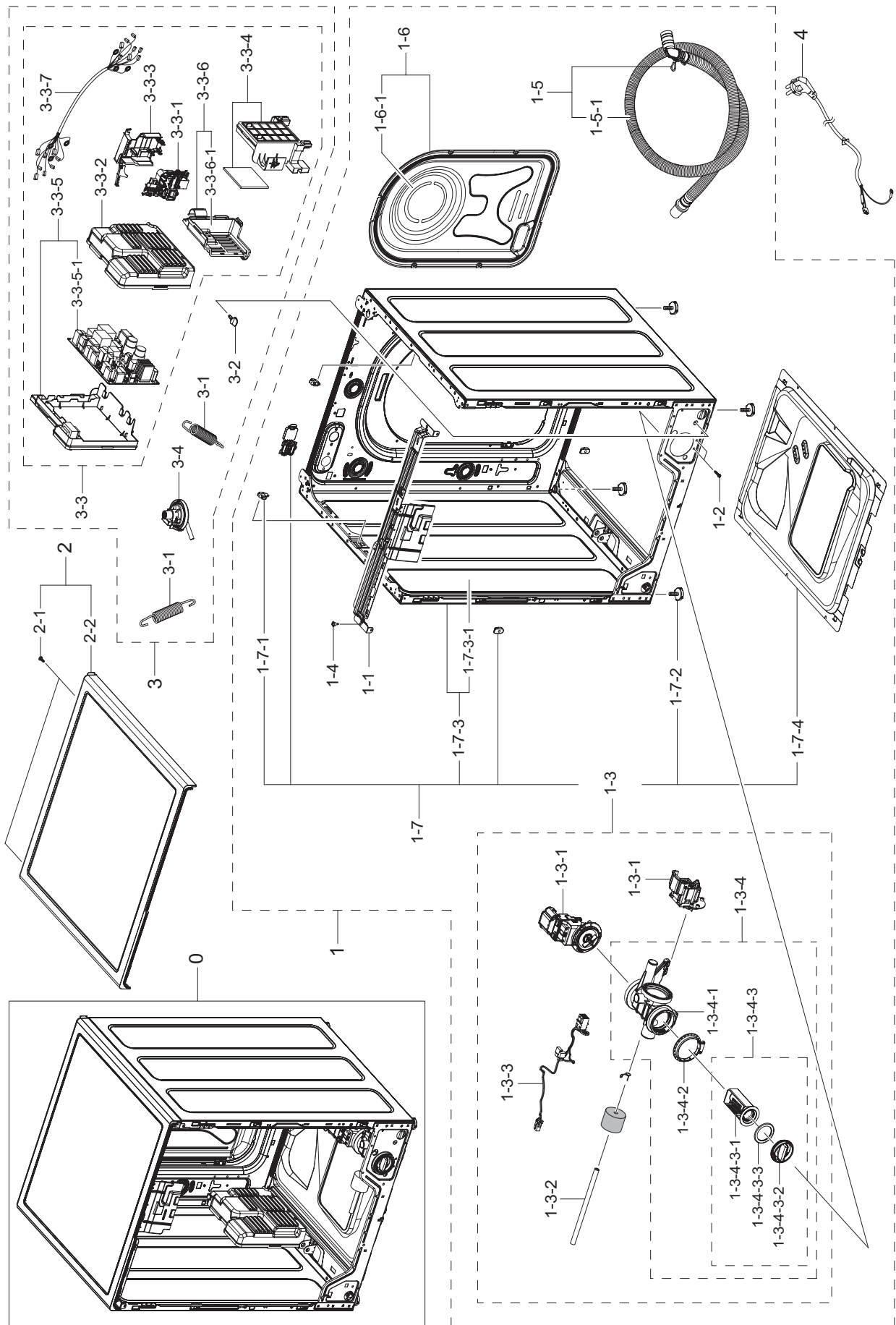


MODEL CODE (WD10T534DBW/S3)

Service Bom (SA: SERVICE AVAILABLE, SNA: SERVICE NOT AVAILABLE)

Drawing No.	Code No.	Description	Specification	QTY	Un	SA/SNA
0	WD10T534DBW/S3	ASSY-WASHING MACHINE	WD5000T			
1	DC90-28638A	ASSY COVER TOP PARTS	WD80T534DBW/S1	1	PC	SNA
2	DC90-28689Z	ASSY FRAME PARTS	WD10T734DBH/S7	1	PC	SNA
2-1	DC97-15696P	ASSY PUMP DRAIN	GCO11,WW8GM642O2W/ EG,BUBBLE,220V	1	PC	SNA
3	DC90-28765P	ASSY FRONT PARTS	WD10T534DBW/S3	1	PC	SNA
4	DC90-28638B	ASSY DRAWER PARTS	WD80T534DBW/S1	1	PC	SNA
4-1	DC97-22235B	ASSY DRAWER	WW7000T AOW,WHITE- WHITE	1	PC	SNA
4-2	DC97-22238B	ASSY HOUSING DRAWER-MODULE	U-PJT AOW,HEB	1	PC	SNA
5	DC90-28637T	ASSY PANEL CONTROL PARTS	WD90T534DBW/S1	1	PC	SNA
6	DC90-28689X	ASSY TUB BACK PARTS	WD10T534DBW/S3	1	PC	SNA
7	DC90-28652C	ASSY DRUM PARTS	WW7000T,WW10T754DBH/S3	1	PC	SNA
8	DC90-28744Y	ASSY TUB FRONT PARTS	WD10T534DBW/S3	1	PC	SNA
9	DC93-00764A	ASSY DUCT SCROLL	"Q-DRIVE COMBO,WD7800N&WD6800N,ALDC,220V/50HZ"	1	PC	SA
10	DC66-00782A	JOINT DIAPHRAGM	EGI-SECC,T1.0	1	PC	SA
11	DC90-28603V	ASSY ACCESSORY PARTS	WD80T534DBN/S1	1	PC	SNA
11-1	DC98-04384C	ASSY ACCESSORY	U-PJT HEBA 58,WD80T534DBN	1	PC	SNA
11-1-1	DC97-16921A	ASSY HOSE WATER	WA5700J	1	PC	SC
11-1-2	DC98-04384D	ASSY ACCESSORY	U-PJT HEBA 58,WD80T534DBN/S1	1	PC	SNA
11-1-2-1	DC60-00104A	FASTENER-BOLT	ALL,CR-SPCC,2.0,L113.5	1	PC	SA
11-1-2-2	DC62-10278A	HOSE HANGER	PUMP MODEL,PP,ID27,T1.5,HS95,BLACK	1	PC	SA
11-1-2-3	DC67-00208B	CAP-FIXER	WF8602NHS/XFA,PP,T1.5,P535-H,BLACK,RECYCLE PP	1	PC	SA
11-1-2-4	DC67-00307A	CAP-FIXER	WF438AAC/XAA,PP,T1.5,RECYCLE,BLACK,RM60	4	PC	SA
12	DC97-14653C	ASSY FIXER TUB	SCOUT,WF0804Y8E/XEF	4	PC	SA
12-1	DC60-60044B	WASHER PLAIN	WW65R20GLSW/TL,PO-SPHC,T2	1	PC	SA

2. ASSY FRAME & COVER PARTS (WD10T534DBW/S3)



MODEL CODE (WD10T534DBW/S3)

Service Bom (SA: SERVICE AVAILABLE, SNA: SERVICE NOT AVAILABLE)

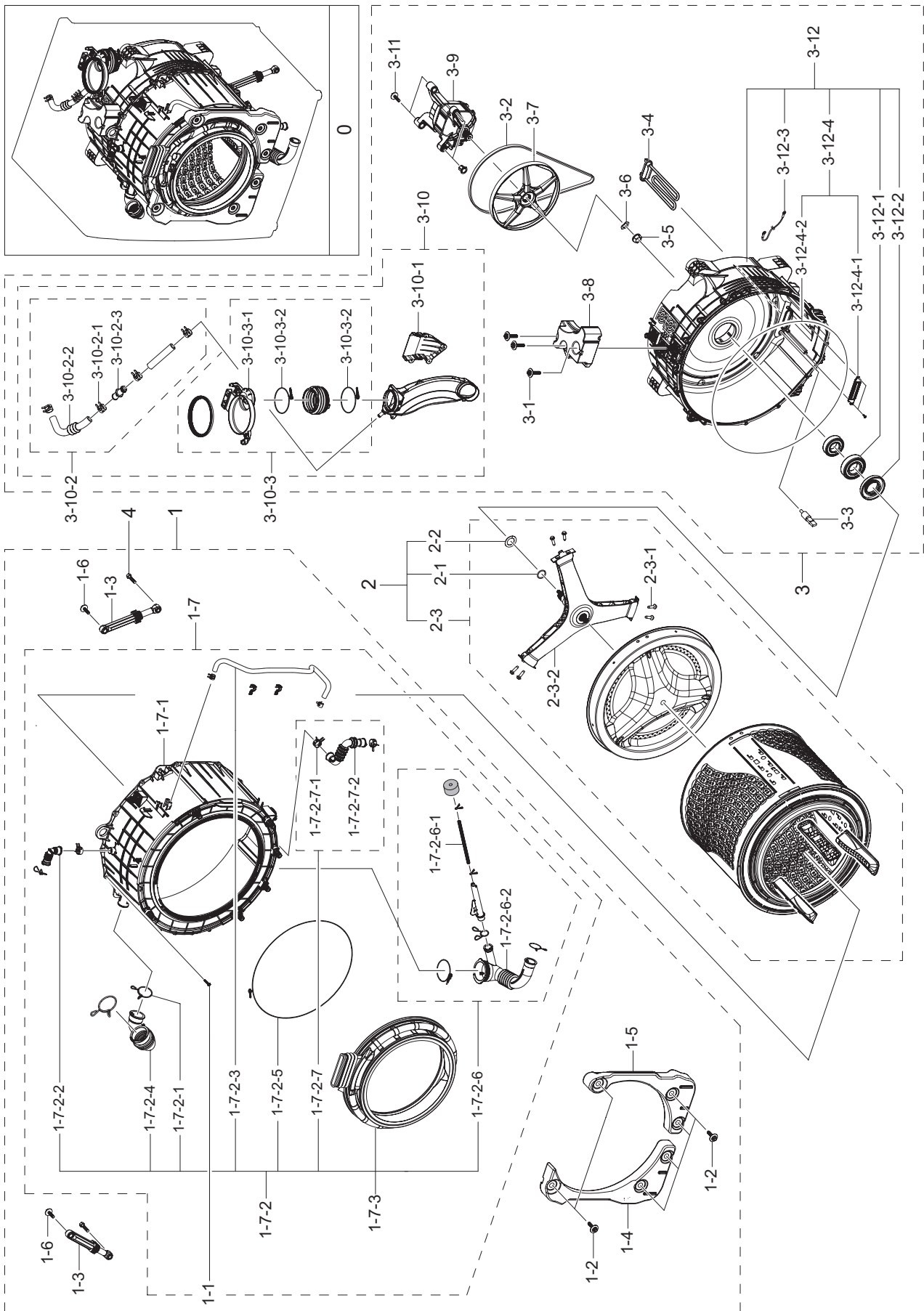
Drawing No.	Code No.	Description	Specification	QTY	Un	SA/SNA
0		ASSY FRAME & INNER PARTS	WD5000T	1		
1	DC90-28689Z	ASSY FRAME PARTS	WD10T734DBH/S7	1	PC	SNA
1-1	DC97-22409A	ASSY FRAME PLATE-UP	WD5000T,T1.4,HEBA	1	PC	SA
1-2	DC97-14006C	ASSY SCREW	GRIFFIN-PJT,WF9904RWE,SWRCH18A,M4*L16	2	PC	SNA
1-3	DC97-15696P	ASSY PUMP DRAIN	GCO11,WW8GM642O2W/EG,BUBBLE,220V	1	PC	SNA
1-3-1	DC31-00181A	MOTOR AC PUMP	"Drum&Auto,B15-6A/S3019/S3032/ PX2025-1,2Pole,220-240V,50Hz,0.33A,35W,5to+60C,3000rpm,130~145C,0.64C FM"	2	PC	SA
1-3-2	DC67-00244C	HOSE DRAIN	WF0804Y8E,EPDM,ID6,OD11,T2.5,L320,B LACK,SCOUT	1	PC	SA
1-3-3	DC96-01567C	ASSY WIRE HARNESS	"AEGIS 3- PJT,WF0702WKN/XSC,220V,50Hz,7kg,1200RPM,PUMP WIRE"	1	PC	SA
1-3-4	DC97-19914A	ASSY CASE FILTER	BUBBLE	1	PC	SA
1-3-4-1	DC61-02271B	CASE PUMP	"WF0804Y8E/XEF,PP,T2.5,W153.6,L133.2,WHITE,2WAY"	1	PC	SA
1-3-4-2	DC69-01128A	PACKING-PUMP	WF8804DP,IIR,BUTYL,T2.5,HEBA-PJT,BLK	1	PC	SA
1-3-4-3	DC97-15695C	ASSY FILTER	Heba,WF9904CWN1	1	PC	SA
1-3-4-3-1	DC63-00998A	FILTER PUMP	SCOUT-PJT,PP,W52.8,L93.1,NEAT WHITE,BUBBLE	1	PC	SA
1-3-4-3-2	DC64-02783A	HANDLE FILTER	WF350ANW/XAA,PP,T2.3,W63.8,NATURAL,BIG_HANDLE-FILTER	1	PC	SA
1-3-4-3-3	DC73-00022A	SEAL PACKING	SEW-HVR149ATA,EPDM,BLACK	1	PC	SA
1-4	DC97-15858A	ASSY SCREW	trumph-PJT,WF-F1061/YLP,SWRCH18A	2	PC	SNA
1-5	DC97-20913B	ASSY HOSE DRAIN(O)	Heba,1870,ID20.5	1	PC	SA
1-5-1	DC67-00992A	HOSE PUMP	Heba,PP,ID20.5,T1,LIGHT GRAY	1	PC	SA
1-6	DC97-21048A	ASSY COVER BACK	"WW6000T,WW90T654DLH/S6,U-PJT wash model"	1	PC	SNA
1-6-1	DC63-00862C	COVER BACK	WF8600NMW,GI-SGCC,T0.35,W352,L558.7,NATURAL	1	PC	SA
1-7	DC97-22338A	ASSY FRAME-MODULE	WD7000T,-WD10T734DBH/S	1	PC	SA
1-7-1	DC61-02065A	GUIDE SPRING	WF448AAG/XXA,POM,T4,W24,L36.8,WHITE	2	PC	SA
1-7-2	DC97-00920W	ASSY LEG	WW6000T,WD90T654DBH/S1,48.5,M10,1.5,BUTYL	4	PC	SA
1-7-3	DC97-22337A	ASSY FRAME	WD5000T,WD10T534DBW/S3,T1,DA WHITE	1	PC	SNA
1-7-3-1	DC61-04173Z	FRAME	WD10T534DBW/S3,GI-SGCC,T1,PCM2C,WT9007,COLD	1	PC	SNA
1-7-4	DC97-14642K	ASSY PLATE BOTTOM	WW7800M,WW90M76GN2A/EC	1	PC	SNA
2	DC90-28638A	ASSY COVER TOP PARTS	WD80T534DBW/S1	1	PC	SNA
2-1	6002-001438	SCREW-TAPPING	HWH,+,NO,1,M5,L12,ZPC(WHT),SWRCH18A,SEPERATOR	2	PC	SNA

MODEL CODE (WD10T534DBW/S3)

Service Bom (SA: SERVICE AVAILABLE, SNA: SERVICE NOT AVAILABLE)

Drawing No.	Code No.	Description	Specification	QTY	Un	SA/SNA
2-2	DC97-21151E	ASSY COVER TOP	WW6000T(HEBA58),DA WHTIE	1	PC	SA
3	DC90-28744L	ASSY INNER PARTS	WD10T534DBW/S3	1	PC	SNA
3-1	DC61-02029D	SPRING HANGER	WW6800M,HSWR,3.5mm,OD26,L148, Heat treatment	2	PC	SA
3-2	DC61-10673C	CAP DRAIN	WF1802XEY/XSC,PP,NATURAL	1	PC	SA
3-3	DC92-02706E	ASSY COVER PCB W/ HARNESS	WD10T534DBW/S3	1	PC	SNA
3-3-1	DC34-00028B	SWITCH DOOR LOCK	AC250V,16A,SOLENOID, DOOR SENSING, CAM	1	PC	SA
3-3-2	DC63-02598A	COVER PBA	"WW6000T(F500E-SSEC),ABS,T2.5,5 VA,NATURAL,VE-0858"	1	PC	SA
3-3-3	DC63-02602A	COVER DOOR SWITCH	WW6000,PP,T2.5,5VA,NATURAL,FH4 4N	1	PC	SA
3-3-4	DC92-02665A	ASSY PCB KIT	"FWM_INV,COMBO MODULE, 121x80mm,Free voltage,24Vdc,60W, motor direction UWV,Y,SMPS,Standard"	1	PC	SA
3-3-5	DC92-02713B	ASSY HOLDER PCB	WW5000T,DC94-10826A,Y,SM	1	PC	SA
3-3-5-1	DC94-10826A	ASSY PCB EEPROM	902D,WD5300T,Micom_D5+22	1	PC	SNA
3-3-6	DC92-02787A	ASSY COVER PBA	WD6000T	1	PC	SNA
3-3-6-1	DC63-02624A	COVER PBA	WW6000T(24" DRUM COMBO PLATFOR M),ABS,T2.5,5VA,NATURAL,VE-0858	1	PC	SA
3-3-7	DC93-00891E	ASSY WIRE HARNESS-MAIN	DRUM-M,WD10T534DB	1	PC	SA
3-4	DC96-01703G	SENSOR PRESSURE	Air,5V,L0,400mmH2O	1	PC	SA
4	DC39-00067B	POWER CORD-AT	"H05VV-F 3x1.0mm2,GRY,EU3F,250V/16A, Fuse N,SCREW 2,#250 2P Housing,L2330 ,L2000,40/130/130/215,E.U,VDE,UCP2"	1	PC	SA

3. ASSY TUB & DRUM PARTS (WD10T534DBW/S3)



MODEL CODE (WD10T534DBW/S3)

Service Bom (SA: SERVICE AVAILABLE, SNA: SERVICE NOT AVAILABLE)

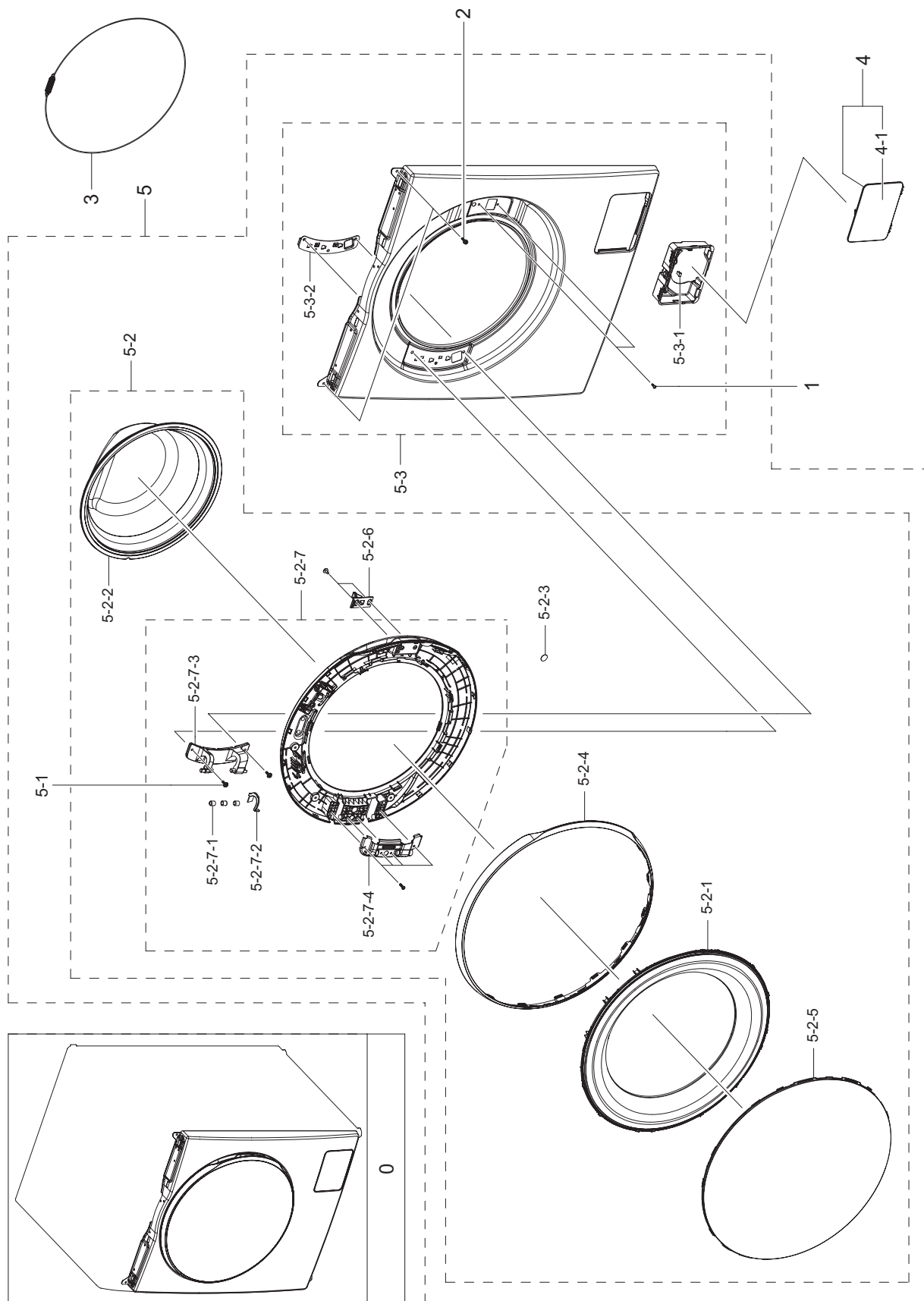
Drawing No.	Code No.	Description	Specification	QTY	Un	SA/ SNA
0		ASSY TUB & DRUM PARTS	WD5000T	1		
1	DC90-28744Y	ASSY TUB FRONT PARTS	WD10T534DBW/S3	1	PC	SNA
1-1	6009-001367	BOLT-HEX	M6.5,L32,ZPC(WHT),SWRCH18A,HWH Head	15	PC	SNA
1-2	6011-003934	BOLT-HEX	M7.6,L48,ZPC(WHT),SCM 435,WASHER	6	PC	SA
1-3	DC66-00470G	DAMPER SHOCK	24" Drum,PP/RUBBER/STS, BLACK,80N, FREESTROKE 6mm	2	PC	SA
1-4	DC67-00944B	WEIGHT BALANCER-LEFT	WD6800N,CONCRETE,T1.8,LIGHT GRAY	1	PC	SA
1-5	DC67-01112A	WEIGHT BALANCER-RIGHT	WW6800T,PP	1	PC	SA
1-6	DC97-14263A	ASSY BOLT	MOTOR/ BOLT(M8)+WASHER(OD27.5),,,,,,	2	PC	SA
1-7	DC97-20524C	ASSY TUB FRONT-MODULE	WD6800N,COMBO	1	PC	SA
1-7-1	DC61-04513A	TUB FRONT	WW90M645OPW/ EU,FRPP,T3.5,WHITE,8/9kg,320mm	1	PC	SA
1-7-2	DC97-20566A	ASSY TUB FRONT	MK-PJT,WW6800M	1	PC	SNA
1-7-2-1	DC65-60118R	CLIP RING	AEGIS-PJT,HSWR-SWRH,T3.0,ID37	1	PC	SA
1-7-2-2	DC67-00354A	HOSE AIR	HEBA PJT,EPDM,BLACK,18.3g	1	PC	SA
1-7-2-3	DC67-00606A	HOSE AIR	AEGIS 2A COMBO BUBBLE-PJT,EPD M,ID9.0,OD14.0,T2.5,L620,BLACK	1	PC	SA
1-7-2-4	DC67-00674A	HOSE DRAWER TUB	"SEINE COMBO,EPDM,ID34.9,OD48.0 ,T2.0,BLACK,SEINE COMBO"	1	PC	SA
1-7-2-5	DC91-12077G	ASSY CLAMP DIAPHRAGM	AEGIS,WF8500NHW/YLP	1	PC	SA
1-7-2-6	DC97-14637R	ASSY HOSE PRESSURE	600mmH20,No PBA,Hook	1	PC	SNA
1-7-2-6-1	DC67-00230B	HOSE WATER	"WF8800,TPE,ID4.5,OD8.0,T1.75,L679 ,L725,L679,BLACK,HEBA-PJT"	1	PC	SC
1-7-2-6-2	DC67-00335A	HOSE FILTER TUB	AEGIS-PJT,EPDM,ID64.5;ID21.6;ID30, T1.5,HRC50,BLK,RIPPLE STRUCTURE	1	PC	SA
1-7-2-7	DC97-17515B	ASSY HOSE AIR	MK-PJT,6800M/7800M,BUBBLE	1	PC	SA
1-7-2-7-1	DC61-00158A	CLAMPER HOSE	SW65ASP,SK5,ID23,T0.8,-,-,-,-	2	PC	SA
1-7-2-7-2	DC67-00526A	HOSE AIR TUB	AEGIS3-PJT,EPDM,T2.8,BLACK	1	PC	SA
1-7-3	DC64-03723A	DOOR DIAPHRAGM	WD6800N,EPDM,T1.5,LIGHT G	1	PC	SA
2	DC90-28652C	ASSY DRUM PARTS	WW7000T,WW10T754DBH/S3	1	PC	SNA
2-1	6044-001781	RING-OG	ID33,OD36.4,T1.8,BLK,NBR	1	PC	SA
2-2	DC60-00132A	WASHER-SPRING	STS304,T0.5,ID35.2,OD39.2,H2.2	1	PC	SA
2-3	DC97-22363A	ASSY DRUM	WW6500N-WW7000T,1400RPM,H	1	PC	SA
2-3-1	DC60-40137A	BOLT HEX	MARS-PJT,STS430,M8,P1.25,L30, HEX/ KNURING	6	PC	SA
2-3-2	DC97-20825A	ASSY FLANGE SHAFT	WW6500N	1	PC	SA
3	DC90-28689X	ASSY TUB BACK PARTS	WD10T534DBW/S3	1	PC	SNA
3-1	6011-003934	BOLT-HEX	M7.6,L48,ZPC(WHT),SCM 435,WASHER	3	PC	SA
3-2	6602-003993	BELT-TIMING GEAR	5J,RUBBER,T3.2,W11.7,L1214,BLK	1	PC	SNA
3-3	DC32-00010C	THERMISTOR	WASHER,-10~100,5.5,3.243k ± 2%(60□)	1	PC	SA
3-4	DC47-00033B	HEATER WASH	AC230V,2000W,SUS316L,728mm,NO N,#250,MgO	1	PC	SA

MODEL CODE (WD10T534DBW/S3)

Service Bom (SA: SERVICE AVAILABLE, SNA: SERVICE NOT AVAILABLE)

Drawing No.	Code No.	Description	Specification	QTY	Un	SA/ SNA
3-5	DC60-00128A	NUT SPIN	DUAL DRIVE,ZNDC,11mm,M28*1.5	1	PC	SNA
3-6	DC60-60011B	WASHER WAVE	STS301,ID28.7,OD42,T0.8,ACP	1	PC	SA
3-7	DC66-00936A	PULLEY MOTOR	DUAL DRIVE,ALDC,NATURAL,OD265.0, DURM	1	PC	SNA
3-8	DC67-01026A	WEIGHT BALANCER-UP	WD6500N,Fe,T60	1	PC	SA
3-9	DC93-00586D	ASSY MOTOR BLDC	WW7800M,WDM350FGA,F,DC310V (PWM AC 0~220V),FREE,1400	1	PC	SA
3-10	DC93-00766H	ASSY DUCT CONDENSER	WD8000T,AOW TYPE	1	PC	SA
3-10-1	DC63-02263A	COVER CONDENSER	WD6800N,FRPP,T3,WHITE	1	PC	SA
3-10-2	DC97-21033B	ASSY NOZZLE HOSE	WD7800N,CONDENSER	1	PC	SA
3-10-2-1	DC65-00008B	CLAMPER HOSE	SSEC-GE,SK5,Dacromet,T1.0	4	PC	SA
3-10-2-2	DC67-00731A	HOSE DRAWER	VOLGA COMBO,EPDM,BLACK	1	PC	SA
3-10-2-3	DC97-18446A	ASSY NOZZLE CONNECTOR	WD9000H GLOBAL,WD22H9600KG/AX	1	PC	SA
3-10-3	DC97-21034B	ASSY HOSE CONNECTOR	WD8000T	1	PC	SA
3-10-3-1	DC67-01116A	DUCT CONNECTOR	PP,T3,WHITE,U-PJT COMBO	1	PC	SNA
3-10-3-2	DC97-14618F	ASSY CLAMP DIAPHRAGM	GRACE-2K,WD197ARGRSU	2	PC	SA
3-11	DC97-14263A	ASSY BOLT	MOTOR/ BOLT(M8)+WASHER(OD27.5),,,,,,	2	PC	SA
3-11-1	6601-002637	BEARING BALL	6207ZZ,ID35,OD72,GCr15	1	PC	SA
3-11-2	DC62-00156A	SEAL OIL	TS85-PJT,NBR,BLK	1	PC	SA
3-11-3	DC96-01327D	ASSY WIRE HARNESS- EARTH	DRUM-M,WF1124ZAQ/XEF,TUB EARTH WIRE	1	PC	SA
3-11-4-1	DC61-02664B	BRACKET HEATER	HEBA,STS430,T0.5	1	PC	SA
3-11-4-2	DC69-01769A	PACKING-TUB	ARNO,EPDM,EPDM,T5.5,L1720,BLK	1	PC	SA
3-12	DC97-20522G	ASSY SEMI TUB BACK	WD6500N	1	PC	SA
4	DC60-40144A	BOLT HEX	F500,SM10C,T10,L35,DAMPER	2	PC	SA

4. ASSY FRAME PARTS (WD10T534DBW/S3)

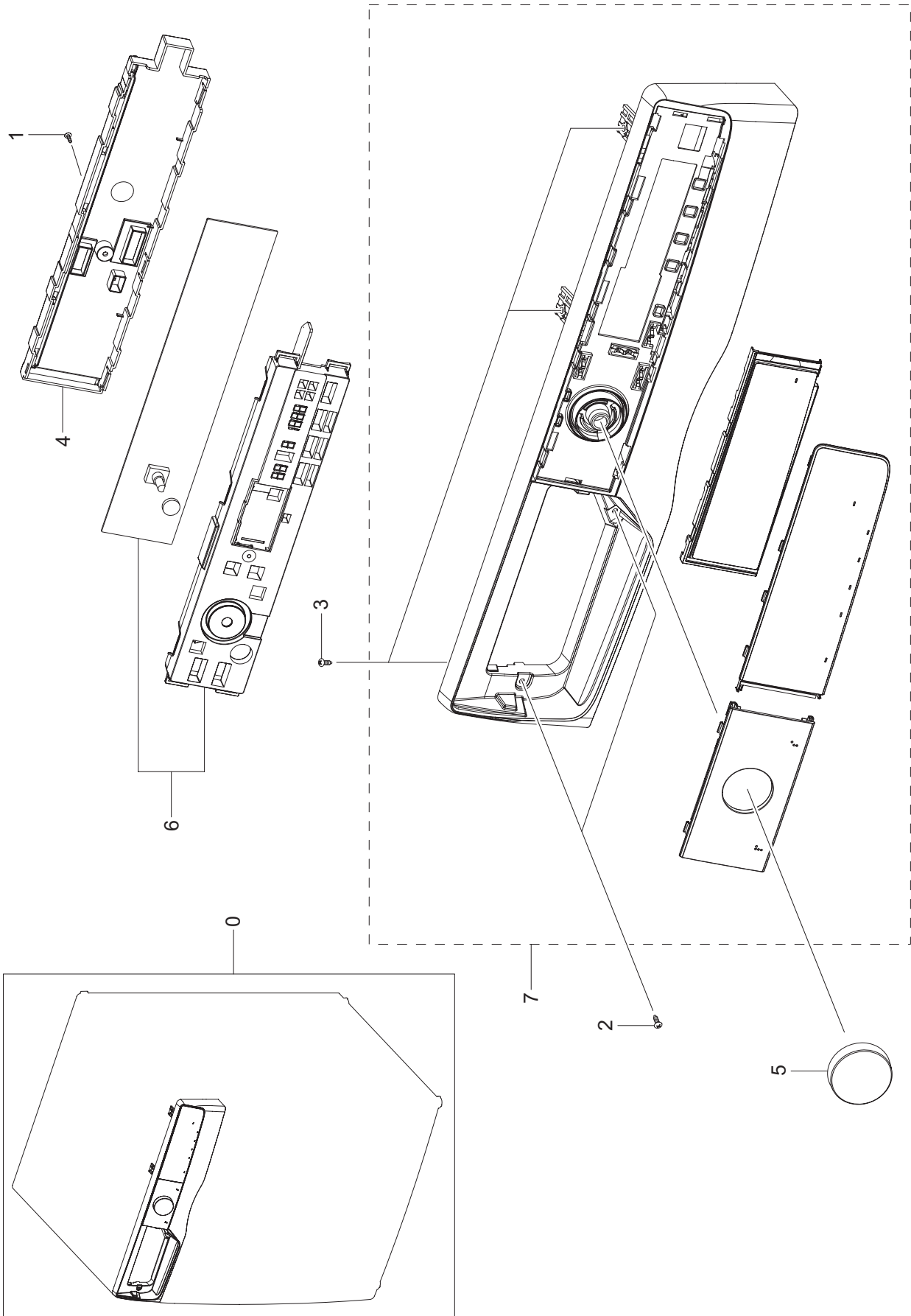


MODEL CODE (WD10T534DBW/S3)

Service Bom (SA: SERVICE AVAILABLE, SNA: SERVICE NOT AVAILABLE)

Drawing No	Code No.	Description	Specification	QTY	Un	SA/SNA
0	DC90-28765P	ASSY FRONT PARTS	WD10T534DBW/S3	1	PC	SNA
1	6002-001554	SCREW-TAPPING	BH,+,No,1,M4,L12,STS430,HEAD SIZE OD8.0	2	PC	SNA
2	6006-001174	SCREW-TAPPING	TH,+,WT,2S,M4,L12,ZPC(WHT),SWRCH 18A	3	PC	SNA
3	DC91-12078E	ASSY WIRE DIAPHRAGM	AEGIS,WF8500NHW/YLP,-,-,-,-	1	PC	SA
4	DC97-22290A	ASSY COVER FILTER	"WW6000T,ABS,T2.5,DA WHITE,Label Caution"	1	PC	SNA
4-1	DC63-00920M	COVER FILTER	"ADD WASH,ABS,T2.5,DA WHITE,HG-0760GP, WT0035"	1	PC	SA
5	DC97-22445M	ASSY FRAME FRONT	Q-COMBO,WD10T534DBW/S3,	1	PC	SNA
5-1	6009-001522	SCREW-HEX	HWH,+,M5,L16,PASS,STS430,FP,SEA L- LOCK	2	PC	SA
5-2	DC97-22269A	ASSY DOOR	WW8000T,NON ADD WASHER,GRAND BLUE	1	PC	SA
5-2-1	DC63-02608A	COVER GLASS	U-PJT,ABS,T2.5,BLACK CAVIAR,WW8000T, Non Add	1	PC	SA
5-2-2	DC64-01790A	DOOR GLASS	AEGIS,GLASS,T5,W353.0	1	PC	SA
5-2-3	DC64-03303A	INLAY-DOOR	WD9500J,PET,T0.3,VERSAILLES GRAY,10.8mm	1	PC	SA
5-2-4	DC64-03949A	DECORATION COVER DOOR	DV90T5740BV,ABS,T2.5,EBONY BLACK,EBONY BLACK,BK0018, Hair Line	1	PC	SA
5-2-5	DC64-03953A	DOOR SAFETY	"DV90T5740BV,ABS,T2.5,HB,TX-0510,Grand Blue,TP0107"	1	PC	SA
5-2-6	DC66-00375A	LEVER DOOR	10KG DRUM,ZNDC,T2.5,-,-,-,NI COATING	1	PC	SC
5-2-7	DC97-22277A	ASSY HOLDER GLASS	WW8000T,NON ADD WASHER,Versailles Gray	1	PC	SA
5-2-7-1	DC61-00891A	GUIDE HINGE	HAUZEN(DOM),POM,B,white,HINGE	3	PC	SA
5-2-7-2	DC61-02197A	GUIDE WIRE	WD9500JK,POM,T1,M90-44,NATURAL	1	PC	SA
5-2-7-3	DC61-04131A	HINGE DOOR	WW6/5500K,ALDC,T5	1	PC	SA
5-2-7-4	DC61-04134A	BRACKET HOLDER	WW6/5500K,GI-SGCC,T1.2	1	PC	SA
5-3	DC97-22283H	ASSY FRAME FRONT-MODULE	WW7000T,DA WHITE	1	PC	SA
5-3-1	DA66-01072A	LATCH	LATOUR,POM,NATURAL,DC LATCH	1	PC	SA
5-3-2	DC61-01919B	BRACKET HINGE	WW6500K,GI-SGCC,T1.4,N/A	1	PC	SA

5. ASSY PANEL CONTROL PARTS (WD10T534DBW/S3)

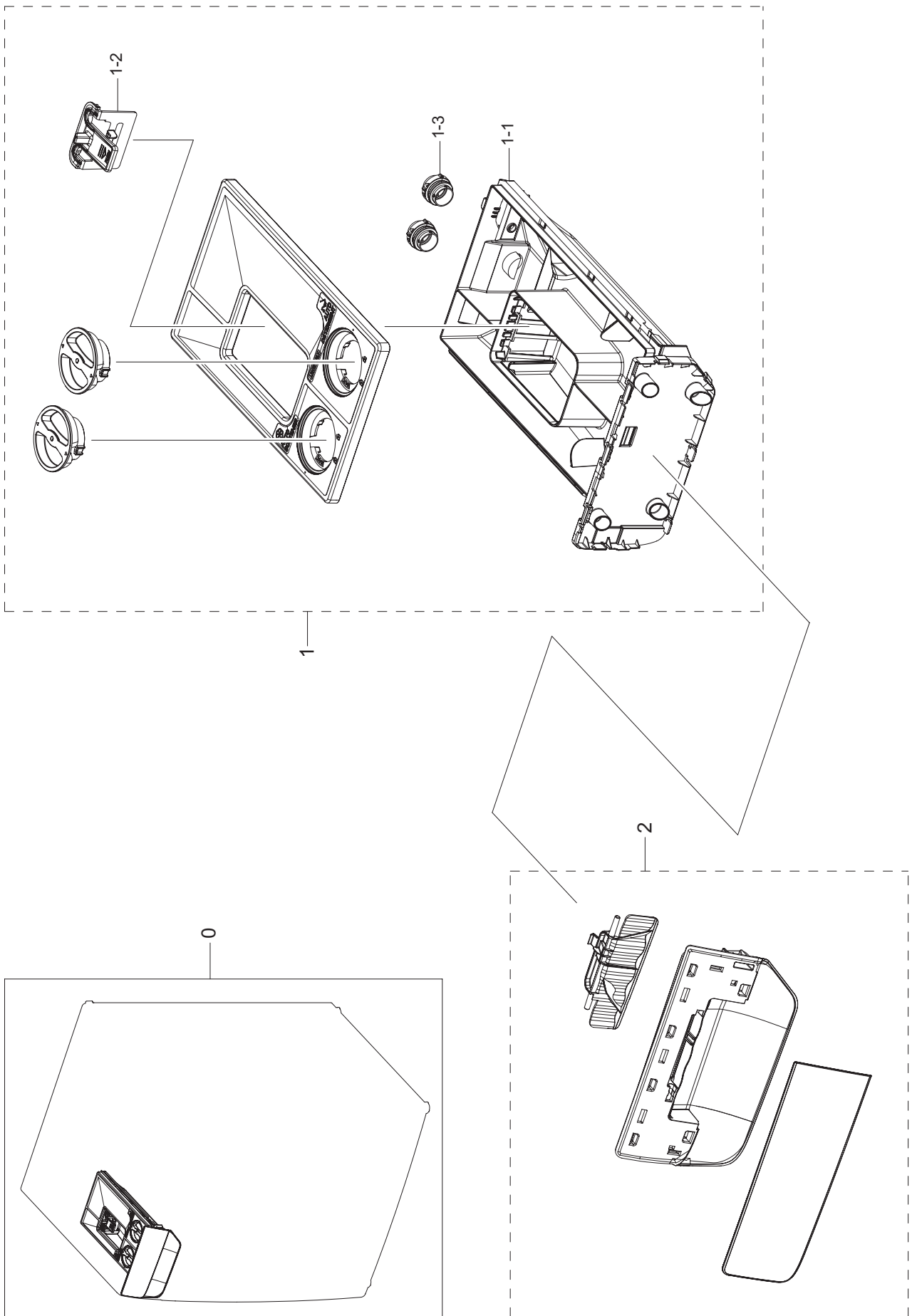


MODEL CODE (WD10T534DBW/S3)

Service Bom (SA: SERVICE AVAILABLE, SNA: SERVICE NOT AVAILABLE)

Drawing No	Code No.	Description	Specification	QTY	Un	SA/SNA
0	DC90-28637T	ASSY PANEL CONTROL PARTS	WD90T534DBW/S1	1	PC	SNA
1	6002-000213	SCREW-TAPPING	TH,+,1,M4,L12,ZPC(WHT),SWRCH18A	1	PC	SNA
2	6002-000445	SCREW-TAPPING	TH,+,NO,2,M4,L18,PASS,STS430	2	PC	SNA
3	6006-001174	SCREW-TAPPING	TH,+,WT,2S,M4,L12,ZPC(WHT),SWRCH18A	3	PC	SNA
4	DC63-02571A	COVER PCB-SUB	DV90T5740BV,PP,T2,HB	1	PC	SA
5	DC64-03921A	KNOB ENCODER	A1 SIMPLE,ABS,HB,NATURAL,CHROME,MP-0160R,NC0001	1	PC	SA
6	DC92-02642N	ASSY MODULE	FWM_Touch Display,WW5500T,8k	1	PC	SA
7	DC97-22137B	ASSY PANEL CONTROL-MODULE	WW5300T,WD80T5	1	PC	SA

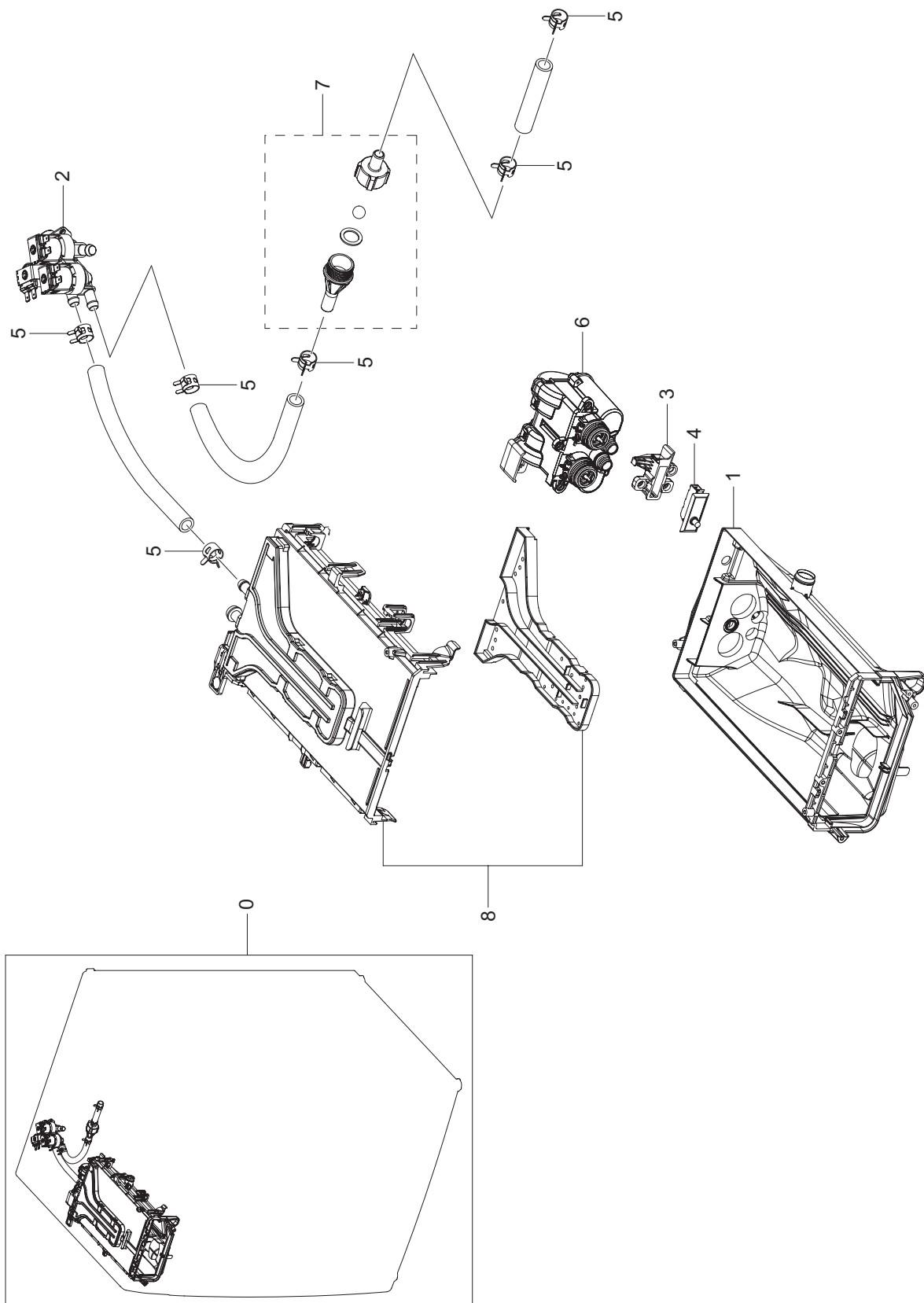
6.ASSY DRAWER PARTS (WD10T534DBW/S3)



MODEL CODE (WD10T534DBW/S3)Service Bom (**SA**: SERVICE AVAILABLE, **SNA**: SERVICE NOT AVAILABLE)

Drawing No.	Code No.	Description	Specification	QTY	Un	SA/SNA
0	DC97-22235B	ASSY DRAWER	WW7000T AOW,WHITE- WHITE	1	PC	SNA
1	DC97-22236A	ASSY DRAWER	U-PJT,WW7000T,24inch	1	PC	SA
1-1	DC61-05188A	BODY DRAWER	WW8000T,PP,DA WHITE,FC2305	1	PC	SA
1-2	DC67-00928A	CAP GUIDE WATER	"WW8800M,PP,MT43,Honesty Blue Light,BL0141"	1	PC	SA
1-3	DC97-22023B	ASSY CAP V.W	WF65000T	2	PC	SA
2	DC97-22237A	ASSY PANEL DRAWER	U-PJT,WW7000T,AOW (ASD),WHITE-WHITE	1	PC	SA

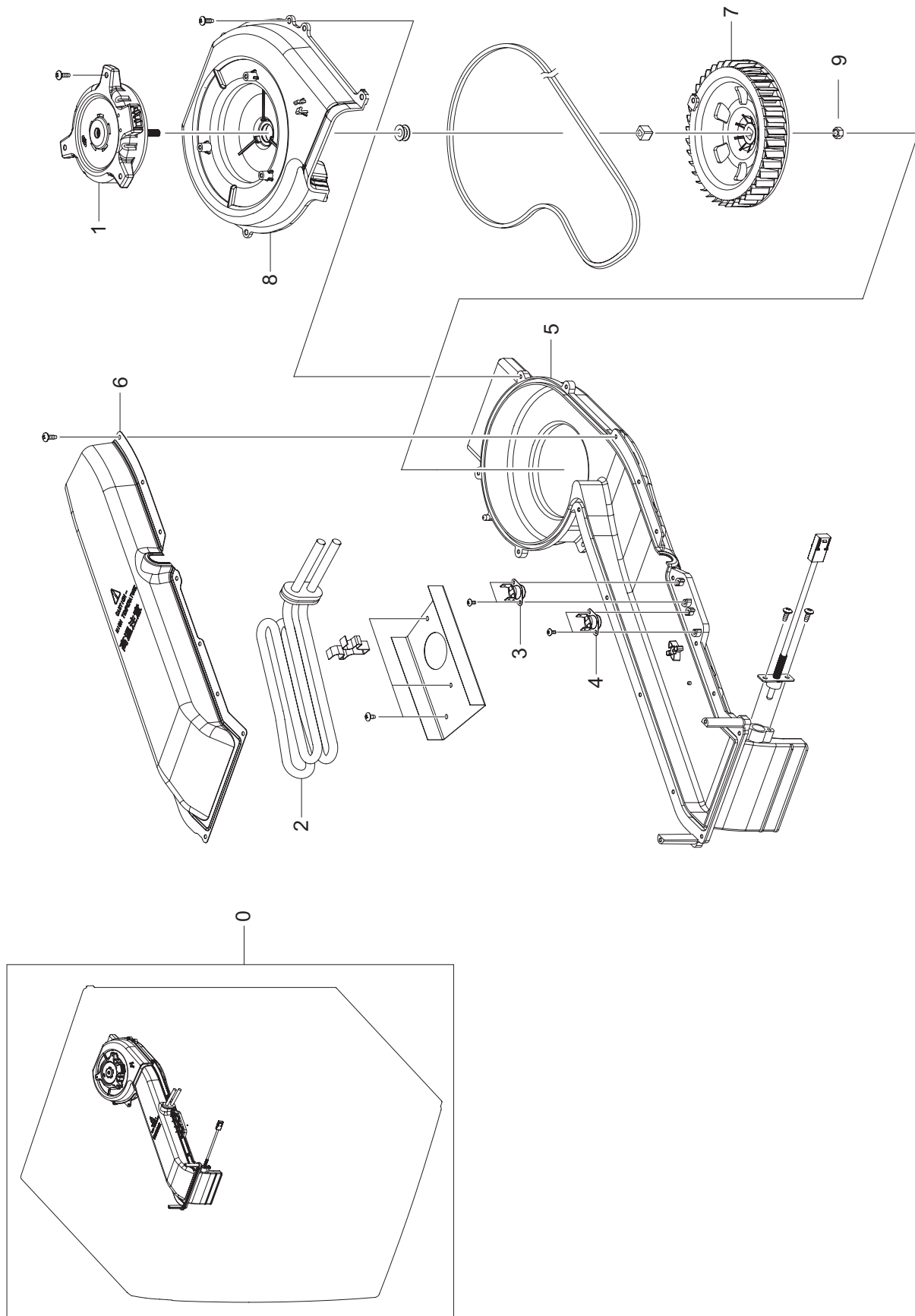
7. ASSY HOUSING DRAWER (WD10T534DBW/S3)



MODEL CODE (WD10T534DBW/S3)Service Bom (**SA**: SERVICE AVAILABLE, **SNA**: SERVICE NOT AVAILABLE)

Drawing No.	Code No.	Description	Specification	QTY	Un	SA/SNA
0	DC97-22238B	ASSY HOUSING DRAWER-MODULE	U-PJT AOW,HEB	1	PC	SNA
1	DC61-05190A	HOUSING DRAWER-LOW	WW8000T,PP,T2,NATURAL,FC2305	1	PC	SA
2	DC33-01010B	VALVE WATER	DC12V,BRACKET,mm,#250,1,2,0.	1	PC	SA
3	DC63-02160A	COVER DOOR SWITCH	WW10M86DQOO/ EU,PP,NATURAL,NC0001, FC2305	1	PC	SA
4	DC64-00828H	SWITCH DOOR	AC125-250V,0.75-1.5A,1BUTTON, WHITE, OP10.0	1	PC	SA
5	DC65-00008B	CLAMPER HOSE	SSEC-GE,SK5,Dacromet,T1.0	6	PC	SA
6	DC97-19821A	ASSY PUMP DRAIN	ASD,WD9500M,12V,DC	1	PC	SA
7	DC97-18446A	ASSY NOZZLE CONNECTOR	WD9000H GLOBAL,WD2	1	PC	SA
8	DC97-22239A	ASSY S.HOUSING DRAWER	U-PJT,WW7000T,PP,24inch	1	PC	SA

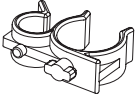

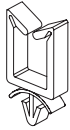

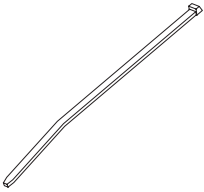
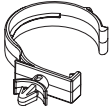
8. ASSY DUCT SCROLL (WD10T534DBW/S3)



MODEL CODE: WD10T534DBW/S3Service Bom (**SA**: SERVICE AVAILABLE, **SNA**: SERVICE NOT AVAILABLE)

NO.	Code No.	Description	Specification	QTY	Un	SA/SNA
0	DC93-00764A	ASSY DUCT SCROLL	"Q-DRIVE COMBO,WD7800N&WD6800N,ALDC,220V/50HZ"	1	PC	SA
1	DC31-00164A	MOTOR BLDC FAN	DWD00618BRA,2650,24V	1	PC	SA
2	DC47-00008F	HEATER DRY	"AC230V,1600W,INCOLOY800,897mm,150mm,200m,MG633976,MG633976,MgO"	1	PC	SA
3	DC47-00016B	THERMOSTAT	"AC125/250V,25A,125,-35,S.O.D,250,PPS,24.5mm"	1	PC	SA
4	DC47-00016C	THERMOSTAT	"AC125/250V,16A,125,-35,MANUAL,250,PPS,24.5mm"	1	PC	SA
5	DC61-04625A	HOUSING FAN-LOW	WD6800N/7800N,ALDC,T2,NATURAL	1	PC	SA
6	DC61-04627A	HOUSING FAN-UP FRONT	WD6800N/7800N,STS430,T0.6,NATURAL	1	PC	SA
7	DC67-00975A	FAN DRY	PA66,T2.5,WD6800N/7800N	1	PC	SA
8	DC93-00765A	ASSY COVER HOUSING	Q-DRIVE COMBO,WD7800N&WD6800N,PA66	1	PC	SA
9	6021-001868	NUT-HEXAGON	LEFT HAND SCREW,M6,STS304	1	PC	SA

9. SMALL PARTS (WD10T534DBW/S3)

				
1	2	3	4	5
				
6				

MODEL CODE: WD10T534DBW/S3

Service Bom (SA: SERVICE AVAILABLE, SNA: SERVICE NOT AVAILABLE)

Drawing No.	Code No.	Description	Specification	InstPoint	QTY	Un	SA/SNA
1	DC61-00133A	CLAMPER HOSE-FIX	P1291,PP,HOSE+PLUG,BJ-750	FRM+H- DRAIN+P-CODE	3	PC	SA
2	DC61-00118A	CLAMP-CABLE	P1291,PA66,ID27,OD30,NATURAL,-,NC0001	ASSY FRAME PARTS	1	PC	SA
3	DC61-00553B	CABLE CLAMP	DAWS-3NE,PA66,NTR	ASSY PAINT FRAME	1	PC	SNA
4	DC61-00553C	CABLE CLAMP	-,PA66,NTR	ASSY PANEL CONTROL	1	PC	SNA
5	DC65-10001A	CABLE TIE	CT-140,T1.1,W3.5,L145,NTR,NYLON66	HEATER-DRY HARNESS	1	PC	SNA
6	DC61-02879A	HOLDER WIRE	"WF8804CPA,PA,L58.6,NATURAL,2110R"	FRAME+HOSE(O)	1	PC	SNA
6	DC65-10001A	CABLE TIE	CT-140,T1.1,W3.5,L145,NTR,NYLON66	C/HEATER+W/HARNESS	1	PC	SNA

8. PARTS LIST (SCREW TYPE)

MODEL CODE (WD10T534DBW/S3)

Service Bom (SA: SERVICE AVAILABLE, SNA: SERVICE NOT AVAILABLE)

Code No.	Description	Specification	QTY	Un	SA/SNA
6001-000115	SCREW-MACHINE	BH,+,M3,L10,ZPC(WHT),SWRCH18A,2S	4	PC	SNA
6001-000516	SCREW-MACHINE	PH,+,-,M3,L10,ZPC(WHT),SWRCH18A,-,-	1	PC	SNA
6002-000213	SCREW-TAPPING	TH,+,1,M4,L12,ZPC(WHT),SWRCH18A	7	PC	SNA
6002-000444	SCREW-TAPPING	TH,+,2,M4,L14,PASS,STS430	11	PC	SNA
6002-000445	SCREW-TAPPING	TH,+,NO,2,M4,L18,PASS,STS430	22	PC	SNA
6002-001006	SCREW-TAPPING	TH,+,,-,2S,M4,L12,PASS,STS430,-	3	PC	SNA
6002-001279	SCREW-TAPPING	PWH,+,1,M4,L12,PASS,STS430	2	PC	SNA
6002-001320	SCREW-TAPPING	TH,+,NO,2S,M4,L8,PASS,STS304	4	PC	SNA
6002-001327	SCREW-TAPPING	PWH,+,1,M4,L12,ZPC(WHT),SWRCH18A	4	PC	SNA
6002-001436	SCREW-TAPPING	PH,+,2,M4,L18,ZPC(WHT),SWRCH18A	6	PC	SNA
6002-001438	SCREW-TAPPING	HWH,+,NO,1,M5,L12,ZPC(WHT),SWRCH18A,SE PERATOR	2	PC	SNA
6002-001554	SCREW-TAPPING	BH,+,No,1,M4,L12,STS430,HEAD SIZE OD8.0	4	PC	SNA
6003-000226	SCREW-TAPTYPE	TH,+,,-,S,M4,L8,ZPC(WHT),SWRCH18A,-	6	PC	SNA
6003-001768	SCREW-TAPTYPE	TH,+,WT,S,M4,L10,ZPC(WHT),SWRCH18A	3	PC	SNA
6006-001174	SCREW-TAPPING	TH,+,WT,2S,M4,L12,ZPC(WHT),SWRCH18A	39	PC	SNA
6009-001343	SCREW-SPECIAL	PH,TORX,M4,L12,ZPC(WHT),SWRCH18A,1,2B ODY	2	PC	SNA
6009-001522	SCREW-HEX	HWH,+,M5,L16,PASS,STS430,FP,SEAL-LOCK	2	PC	SA
DC97-14006C	ASSY SCREW	GRIFFIN-PJT,WF9904RWE,SWRCH18A,M4*L16	2	PC	SNA
DC97-15858A	ASSY SCREW	trumph-PJT,WF-F1061/YLP,SWRCH18A	2	PC	SNA
DE60-10080A	SCREW-TAPPING	PWH,+,2S,M5,L9,ZPC(WHT),SWRCH18A	2	PC	SNA