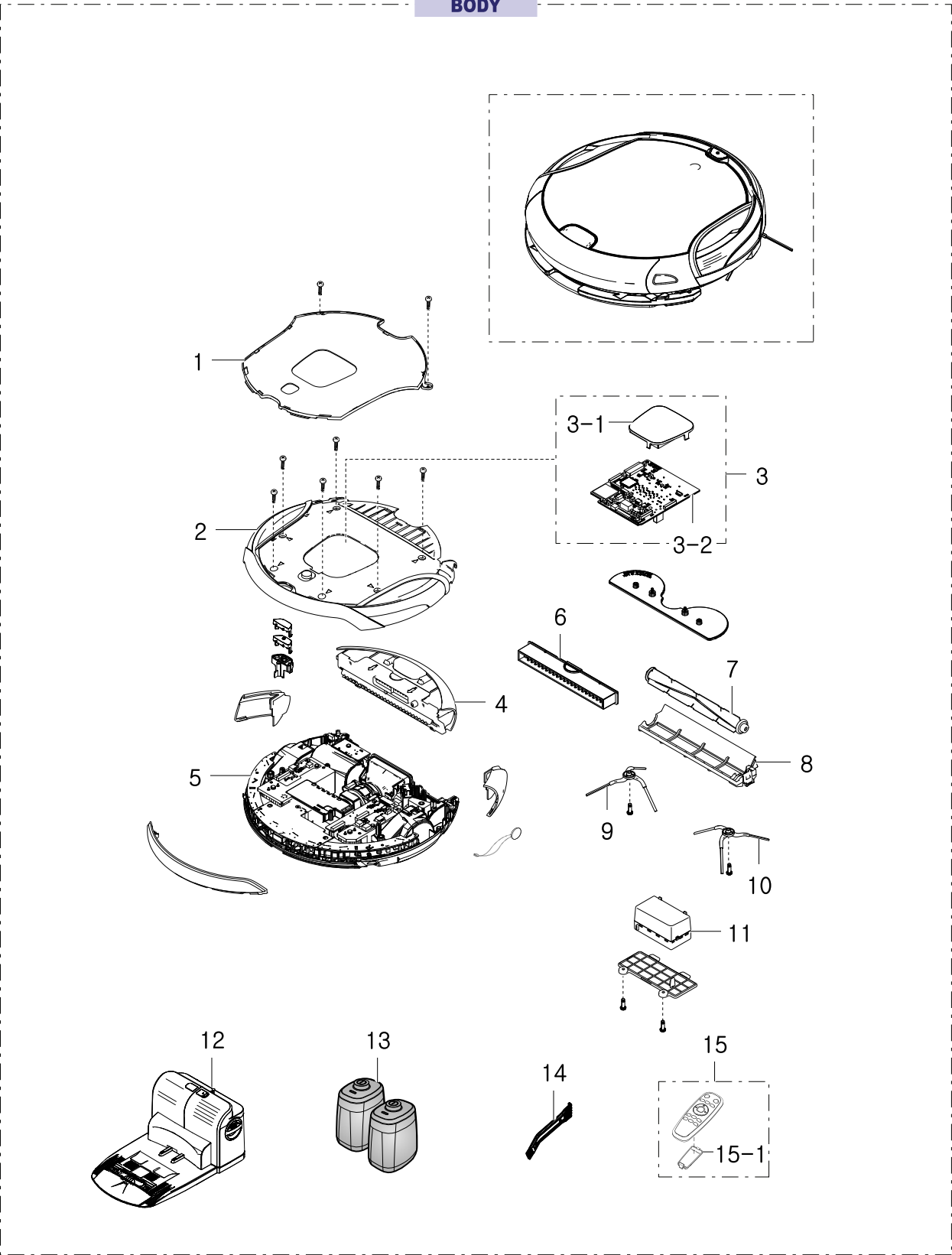


1. Body

Exploded View

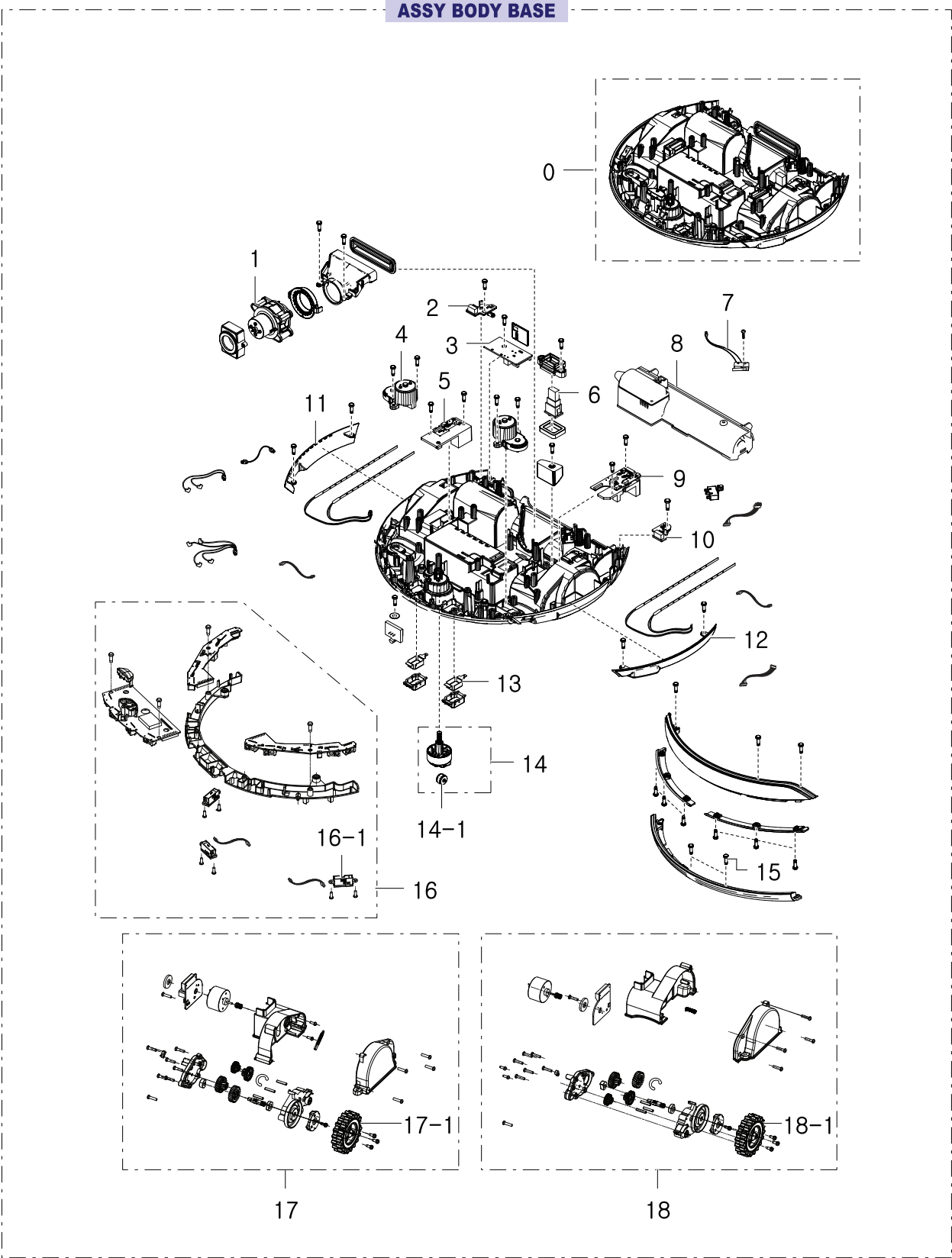


Parts List

No.	Parent	Lvl.	Loc.	Material Code	Description & Specification	SNA	Qty.
1	VCR8980L3K/XEF	1	RB042	DJ97-01795C	ASSY PANEL CONTROL; SR8980,BLK,IMD	SA	1
2	VCR8980L3K/XEF	1	RB009	DJ97-01806A	ASSY BODY MID; VC-RM84V,EBONY BLACK,-,-,-	SA	1
3	VCR8980L3K/XEF	1	RJ169	DJ92-00023C	ASSY PBA MAIN; SR8950,-,-,-	SA	1
3-1	DJ92-00023C	2		DJ97-01794C	ASSY HOLDER-DISPLAY; SR8950,WHT	SA	1
3-2	DJ92-00023C	2	RJ094	DJ41-00613C	PBA MAIN; VCR8950,FR-4 , 4LAYER,W121XL140	SA	1
4	VCR8980L3K/XEF	1	RA013	DJ97-01796A	ASSY CASE BASKET; VC-RM84V,No,Bagfree	SA	1
5	VCR8980L3K/XEF	1	RB002	DJ97-01793F	ASSY BODY BASE; SR8980,EBONY BLACK,-,-,EX	SA	1
6	VCR8980L3K/XEF	1	RA024	DJ97-01777A	ASSY GRILLE FILTER; VC-RM84V,WHT	SA	1
7	VCR8980L3K/XEF	1		DJ97-01780A	ASSY DRUM BRUSH; VC-RM84V,EURO YEL	SA	1
8	VCR8980L3K/XEF	1		DJ97-01804A	ASSY BASE BRUSH; VC-RM84V,YEL	SA	1
9	VCR8980L3K/XEF	1	RL060	DJ97-01329C	ASSY BRUSH-CORNER L; STEALTHBOT,CORNER BR	SA	1
10	VCR8980L3K/XEF	1	RL141	DJ97-01330C	ASSY BRUSH-CORNER R; STEALTHBOT,CORNER BR	SA	1
11	VCR8980L3K/XEF	1		DJ43-00006B	BATTERY; P41R05-11-H01,Li-ion,ICR18650-22	SA	1
12	VCR8980L3K/XEF	1		DJ96-00148A	ASSY CHARGER-STATION; MAX-PJT,EBONY BLACK	SA	1
13	VCR8980L3K/XEF	1	RA119	DJ97-01513D	ASSY-SMARTGATE; SR8950/SR8980,SMART GATE,	SA	2
14	VCR8980L3K/XEF	1	RA100	DJ98-01002A	ASSY ACCESSORY BROOM; VC-RE70V,BROOM,BLK,	SA	1
15	VCR8980L3K/XEF	1	RA028	DJ96-00114Z	ASSY REMOCON; SR8950,EBONY BLK	SA	1
15-1	DJ96-00114Z	2	RP213	DJ63-00936D	COVER BATTERY; VCR-8830,ABS,EBONY BLK	SA	1

2. Assy Body Base

Exploded View

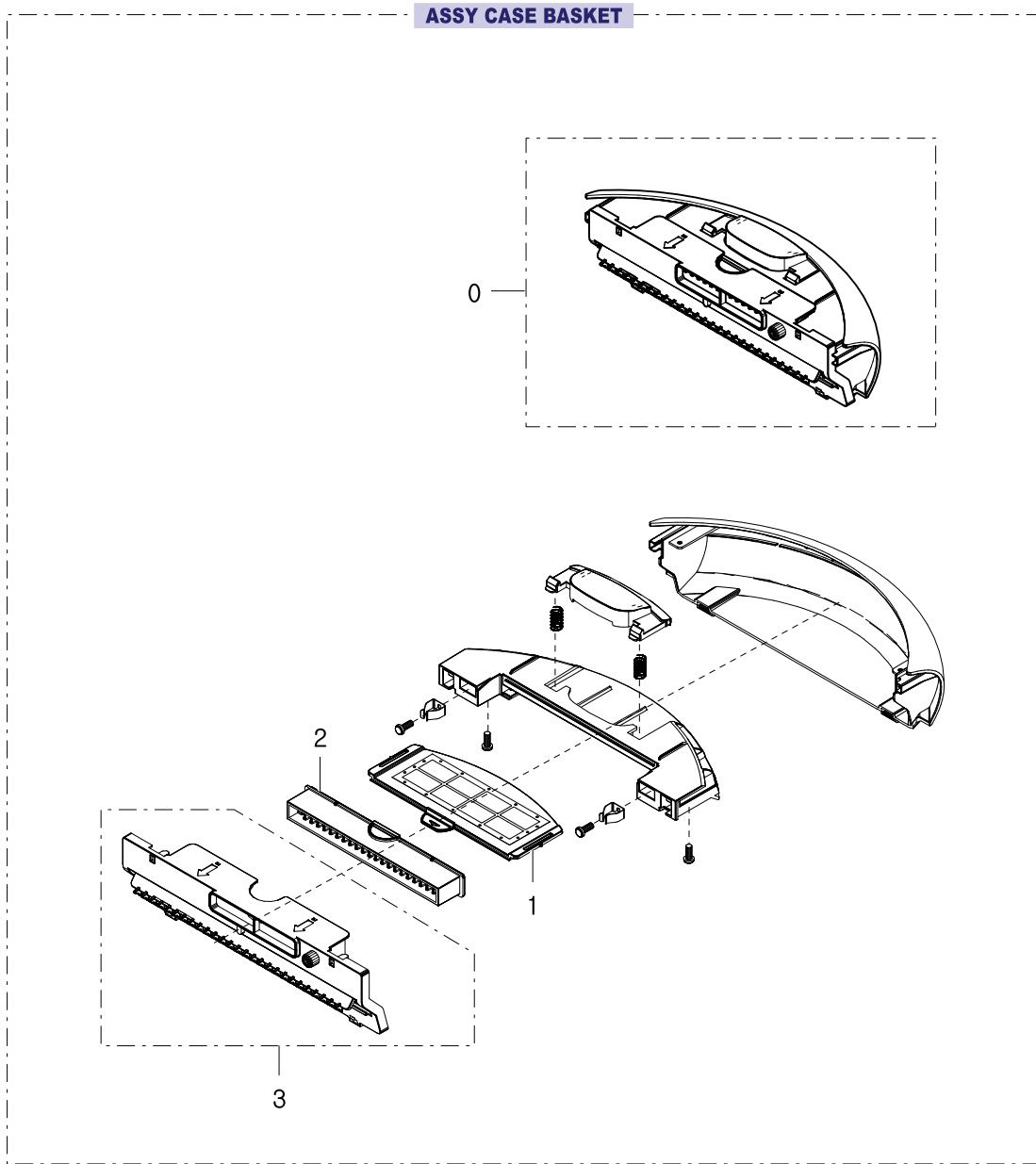


Parts List

No.	Parent	Lvl.	Loc.	Material Code	Description & Specification	SNA	Qty.
0	VCR8980L3K/XEF	1	RB002	DJ97-01793F	ASSY BODY BASE; SR8980,EBONY BLACK,-,-,EX	SA	1
1	DJ97-01793F	2		DJ96-00150A	ASSY MOTOR-FAN; VC-RM84V,14V	SA	1
2	DJ97-01793F	2		DJ41-00632A	PBA-REAR L; VC-RM84V,FR-4,W31.4XL25.6,DC5	SA	1
3	DJ97-01793F	2		DJ41-00634A	PBA-INTERFACE-DRUM; VC-RM84V,FR-4,W57XL28	SA	1
4	DJ97-01793F	2	RJ172	DJ97-01320B	ASSY CASE MOTOR-CORNER; VC-RL84V,EBONY BL	SA	2
5	DJ97-01793F	2		DJ41-00626A	PBA-INTERFACE-RIGHT; VC-RM84V,FR-4,W79XL3	SA	1
6	DJ97-01793F	2	RP309	3402-001040	SWITCH-ROCKER; 250VAC,6A,2,DPST,ON-OFF	SA	1
7	DJ97-01793F	2	RP418	DJ91-00004D	ASSY SWITCH MICRO; VC-RA84V,DUSTBOX	SA	1
8	DJ97-01793F	2	RL008	DJ97-01789A	ASSY CASE-DRUM; VC-RM84V,GRAY,No,-	SA	1
9	DJ97-01793F	2		DJ41-00625A	PBA-INTERFACE-LEFT; VC-RM84V,FR-4,W124.5X	SA	1
10	DJ97-01793F	2		DJ41-00633A	PBA-REAR R; VC-RM84V,FR-4,W31.4XL25.6,DC5	SA	1
11	DJ97-01793F	2		DJ97-01792A	ASSY BODY BUMPER-SIDE L; VC-RM84V,BLK,-,-	SA	1
12	DJ97-01793F	2		DJ97-01791A	ASSY BODY BUMPER-SIDE R; VC-RM84V,BLK,-,-	SA	1
13	DJ97-01793F	2	RJ102	DJ65-00063A	TERMINAL-PIN; VC-RA84V,BRASS	SA	2
14	DJ97-01793F	2		DJ97-01785A	ASSY ROLLER FRONT; BODY-BASE,VC-RM84V,EBO	SA	1
14-1	DJ97-01785A	3	RP294	DJ70-30110A	SHAFT ROLLER-B; VC-DOM,MSWR,L26,OD3.9,ZPC	SA	1
15	DJ97-01793F	2		DJ61-01879B	POLE-BRUSH; VC-RL87V,HNBR,OD6,L13.3,GRAY,	SA	2
16	DJ97-01793F	2		DJ97-01786A	ASSY CASE-SENSOR; SR8950(EXP),EBONY BLACK	SA	1
16-1	DJ97-01786A	3	RP347	DJ32-00014A	SENSOR-DISTANCE; KIR5006C,VC-RA84V,5.0V,5	SA	3
17	DJ97-01793F	2	RB045	DJ97-01782A	ASSY WHEEL DRIVING L; WHEEL,VC-RM84V,EBON	SA	1
17-1	DJ97-01783A	3		DJ97-01781A	ASSY WHEEL; WHEEL,VC-RM84V,EBONY BLACK,LI	SA	1
18	DJ97-01793F	2	RB046	DJ97-01783A	ASSY WHEEL DRIVING R; WHEEL,VC-RM84V,EBON	SA	1
18-1	DJ97-01783A	3		DJ97-01781A	ASSY WHEEL; WHEEL,VC-RM84V,EBONY BLACK,LI	SA	1

3. Assy Case Basket

Exploded View

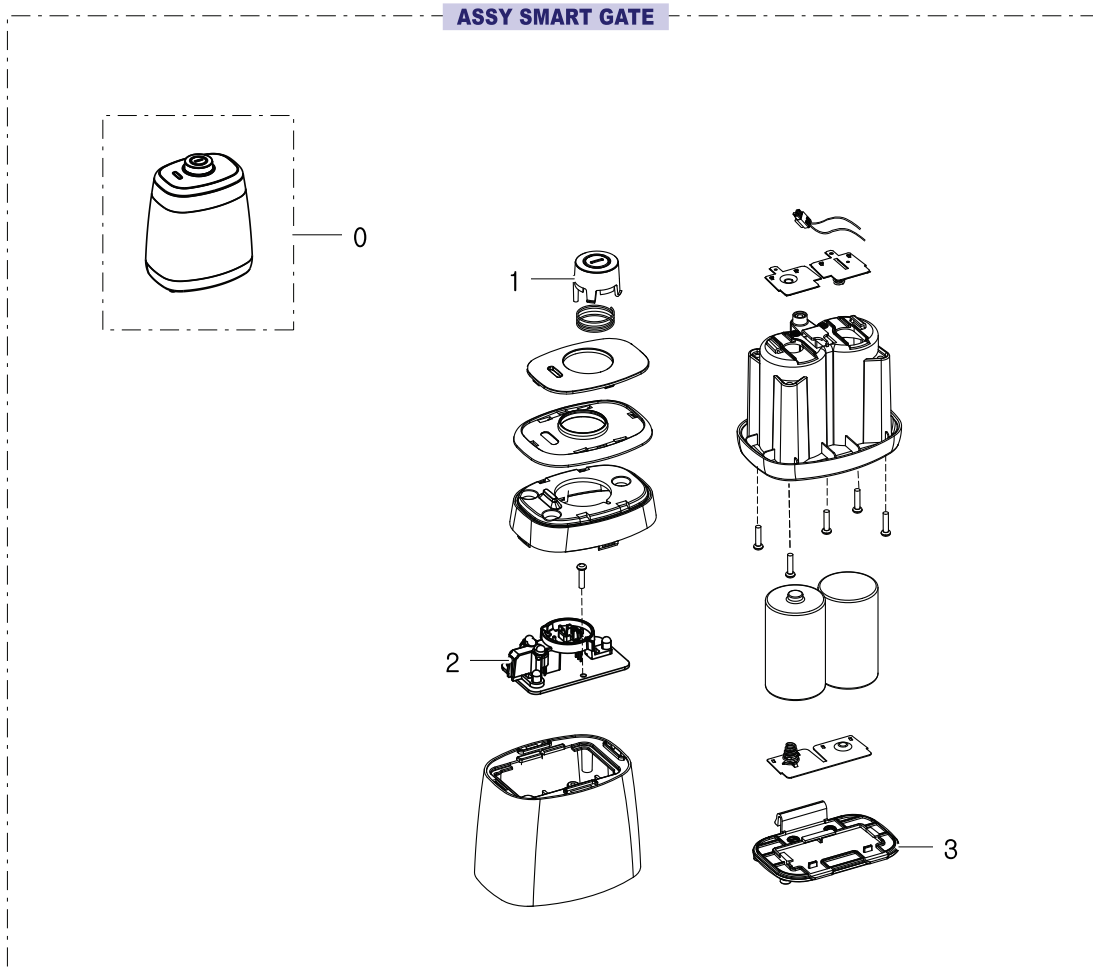


Parts List

No.	Parent	Lvl.	Loc.	Material Code	Description & Specification	SNA	Qty.
0	VCR8980L3K/XEF	1	RA013	DJ97-01796A	ASSY CASE BASKET; VC-RM84V,No,Bagfree	SA	1
1	DJ97-01796A	2	RA106	DJ97-01778A	ASSY FILTER-MESH; VC-RM84V,-,SUB GRAY,MES	SA	1
2	VCR8980L3K/XEF	1	RA024	DJ97-01777A	ASSY GRILLE FILTER; VC-RM84V,WHT	SA	1
3	DJ97-01796A	2	RB028	DJ97-01810A	ASSY COVER DUST SUB; VC-RM84V	SA	1

4. Assy Smart Gate

Exploded View

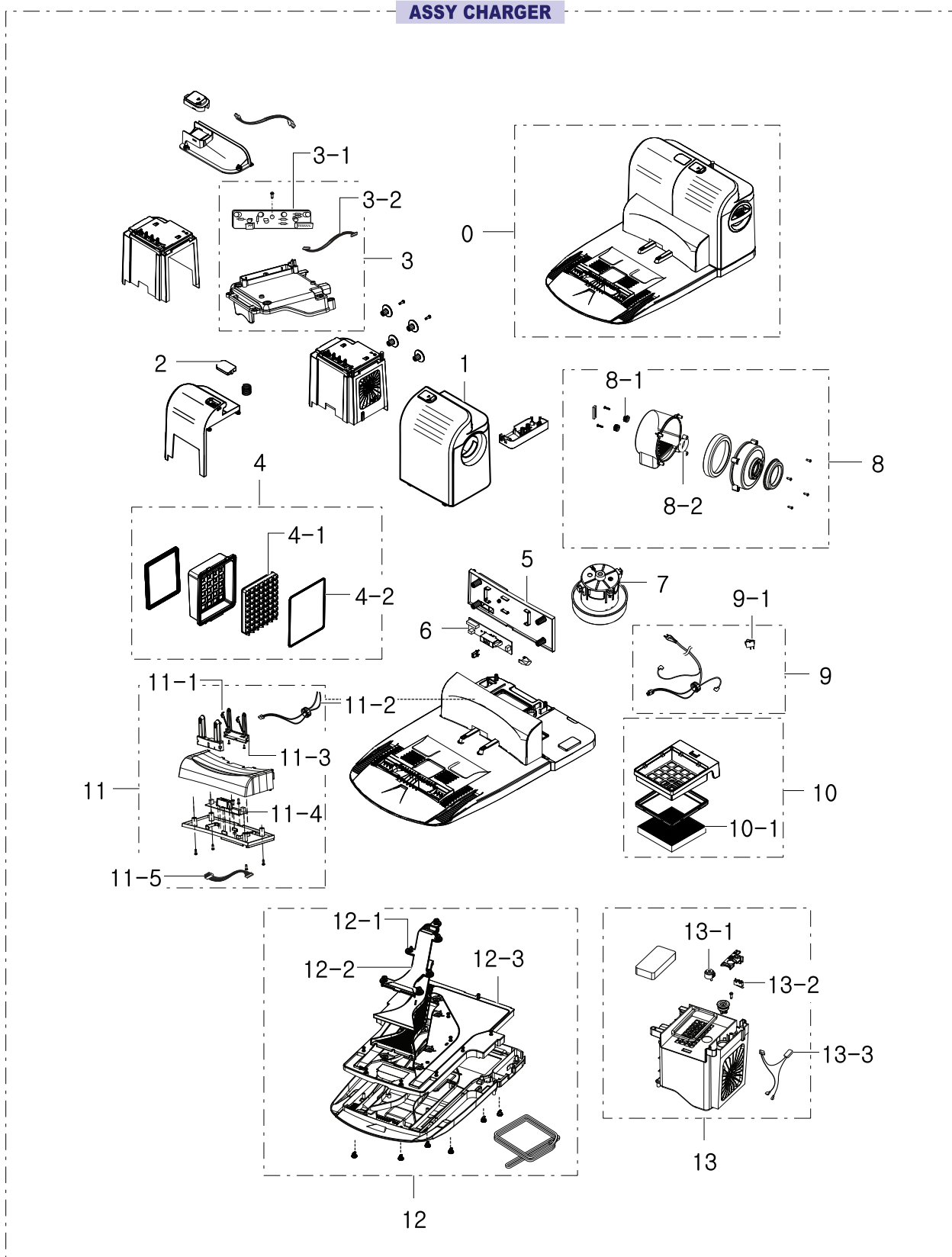


Parts List

No.	Parent	Lvl.	Loc.	Material Code	Description & Specification	SNA	Qty.
0	VCR8980L3K/XEF	1	RA119	DJ97-01513D	ASSY-SMARTGATE; SR8950/SR8980,SMART GATE,	SA	2
1	DJ97-01513D	2	RP476	DJ97-01512A	ASSY-LENS; VCR8855,SMART GATE,EXP(VE)	SA	2
2	DJ97-01513D	2	RJ190	DJ41-00541B	PBA-SMARTGATE; SR8897(JAPAN),FR1,W65XL39,	SA	2
3	DJ97-01513D	2	RP419	DJ63-01050A	COVER-BATTERY; VCR8855,ABS,W80.5,L51.5,EB	SA	2

5. Assy charger

Exploded View



Parts List

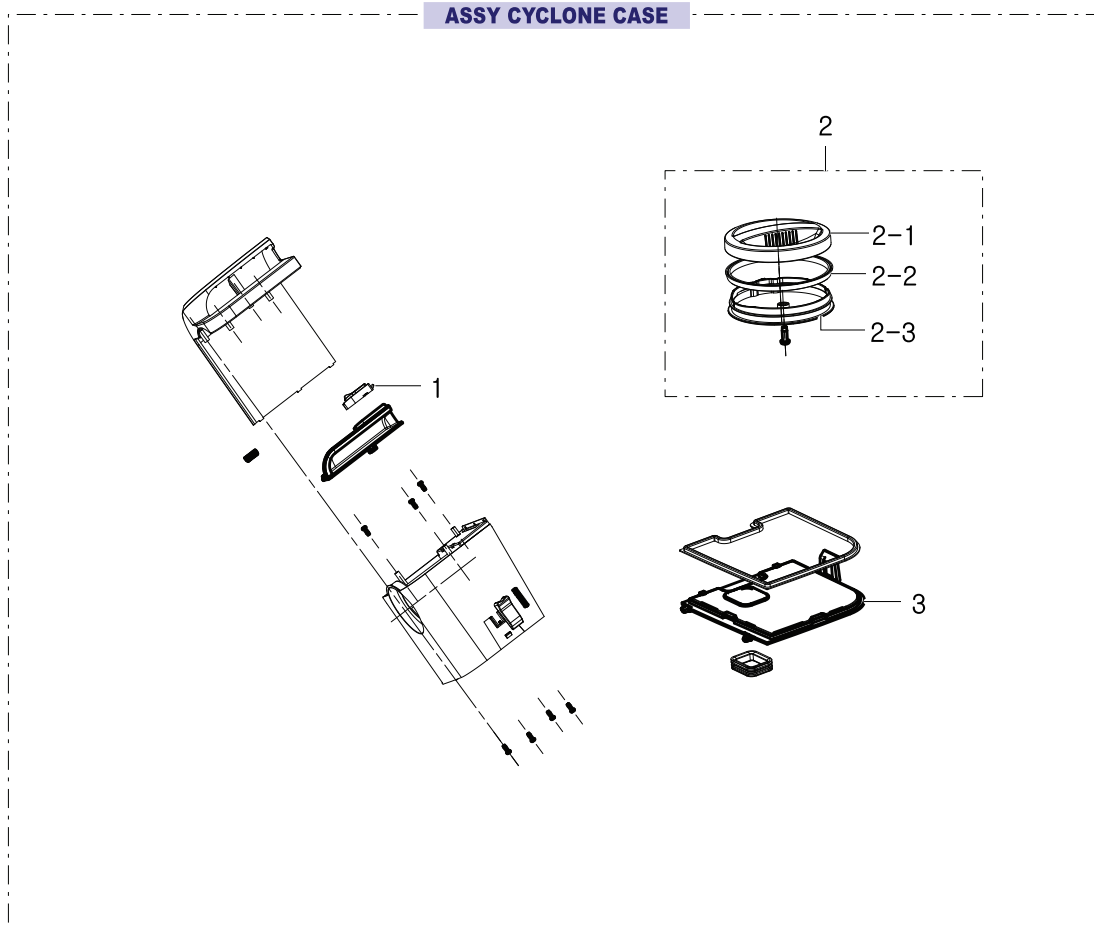
No.	Parent	Lvl.	Loc.	Material Code	Description & Specification	SNA	Qty.
0	VCR8980L3K/XEF	1		DJ96-00148A	ASSY CHARGER-STATION; MAX-PJT,EBONY BLACK	SA	1
1	DJ96-00148A	2		DJ97-01802A	ASSY CYCLONE CASE; VC-RM84V,SMOG BLK,ASSY	SA	1
2	DJ96-00148A	2	RB070	DJ64-01050A	BUTTON-SWITCH; VC-RM84V,ABS,EBONY BLACK,D	SA	1
3	DJ94-00150A	3	RJ007	DJ97-01808A	ASSY CASE MOTOR UP; MAX,ASSY	SA	1
3-1	DJ97-01808A	4		DJ41-00601A	PBA-DISPLAY; MAX,FR-1,1.6T,N,600V	SA	1
3-2	DJ97-01808A	4	RJ176	DJ39-00212D	WIRE HARNESS-DISPLAY; MAX,6,WHT,AWG22,SMH	SA	1
4	DJ96-00148A	2		DJ97-01774A	ASSY CASE-FILTER; MAX-PJT,EBONY BLACK,No,	SA	1
4-1	DJ97-01774A	3	RA058	DJ63-01227A	FILTER-INSERT; MAX-PJT,T30,W124.1,L104.6,	SA	1
4-2	DJ97-01774A	3		DJ62-00357A	SEAL-CASE FILTER; VC-RM84V,TPV,BLK,65	SA	1
5	DJ96-00148A	2	RJ097	DJ41-00602A	PBA SMPS; MAX,CM-1,1.6T,Y,SMPS,TOP258YN,3	SA	1
6	DJ96-00148A	2		DJ41-00603A	PBA-BUTTON; MAX,FR-1,1.6T,N,600V	SA	1
7	DJ96-00148A	2	RJ079	DJ31-00116A	MOTOR FAN-AC; VCM-K30FVAA,5.32A,50Hz,1300	SA	1
8	DJ94-00150A	3	RJ003	DJ97-01809A	ASSY CASE MOTOR B; MAX,ASSY	SA	1
8-1	DJ97-01809A	4	RP221	DJ73-10120A	CUSHION-RING; NR,BLK,VC-6200	SA	2
8-2	DJ97-01809A	4	RP223	DJ69-00398A	CUSHION-RING; TPV,OD45.5,ID23.5,H66.6,BLK	SA	1
9	DJ96-00148A	2	RJ017	DJ95-00021N	ASSY POWER CORD; MAX_AUTO_EMPTY,CP2 4.8,L	SA	1
9-1	DJ95-00021N	3	RP316	3402-001021	SWITCH-ROCKER; 125V/250V,16/6A,SPST,0N-OF	SA	1
10	DJ96-00148A	2	RA024	DJ97-01798A	ASSY GRILLE FILTER; MAX-PJT,ASSY, EBONY B	SA	1
10-1	DJ97-01798A	3		DJ63-01224A	FILTER-HEPA; MAX-PJT,T16,W96.6,L96.6,HEPA	SA	1
11	DJ96-00148A	2		DJ97-01797A	ASSY CASE-SENSOR; MAX-PJT,ASSY, EBONY BLA	SA	1
11-1	DJ97-01797A	3	RJ171	DJ65-00062A	TERMINAL-PLATE; VC-RA84V,BRASS	SA	2
11-2	DJ97-01797A	3		DJ39-00212B	WIRE HARNESS-PCB; MAX,3,WHT,AWG22,SMH250-	SA	1
11-3	DJ97-01797A	3		DJ67-00653A	CAP-TERMINAL; VC-RM84V,ABS,SUB GRAY	SA	1
11-4	DJ97-01797A	3		DJ41-00604A	PBA SENSOR-FRONT; MAX,FR-1,1.6T,N,600V	SA	1
11-5	DJ97-01797A	3	RJ161	DJ39-00212E	WIRE HARNESS-SENSOR; SR8980,10,BLK,AWG24,	SA	1

Exploded Views and Parts List

No.	Parent	Lvl.	Loc.	Material Code	Description & Specification	SNA	Qty.
12	DJ96-00148A	2	RB002	DJ97-01775A	ASSY BODY BASE; MAX-PJT,EBONY BLACK,-,PU	SA	1
12-1	DJ97-01775A	3	RP230	DJ61-00619A	FIXER-COVER; VC-RP30W,PC,BLU	SA	6
12-2	DJ97-01775A	3		DJ63-01213A	COVER DUCT; VC-RM84V,ABS,TRP	SA	1
12-3	DJ97-01775A	3	RB098	DJ63-01212A	COVER BASE; VC-RM84V,ABS,LIGHT GRY	SA	1
13	DJ94-00150A	3	RJ005	DJ97-01807A	ASSY CASE MOTOR LOW; MAX,ASSY	SA	1
13-1	DJ97-01807A	4	RJ101	DJ96-00106L	ASSY SWITCH-PRESSURE; SR8980,43010%mmH2	SA	1
13-2	DJ97-01807A	4		DJ91-00004L	ASSY SWITCH MICRO; MAX AUTO EMPTY	SA	1
13-3	DJ97-01807A	4		DJ39-00105N	WIRE HARNESS-MOTOR; MAX AUTO EMPTY-PJT,UL	SA	1

6. Assy Cyclone Case

Exploded View



Parts List

No.	Parent	Lvl.	Loc.	Material Code	Description & Specification	SNA	Qty.
1	DJ97-01799A	4		DJ64-01049A	BUTTON-CASE; VC-RM84V,ABS,EBONY BLACK,DEE	SA	1
2	DJ97-01802A	3	RA012	DJ97-01801A	ASSY CAP-CYCLONE; VC-RM84V,EBONY BLK(BK00	SA	1
2-1	DJ97-01801A	4	RL043	DJ67-00651A	CAP-CYCLONE; VC-RM84V,ABS,EBONY BLACK	SA	1
2-2	DJ97-01801A	4		DJ62-00356A	SEAL-CAP CYCLONE; VC-RM84V,TPV,BLK,65	SA	1
2-3	DJ97-01801A	4		DJ67-00650A	CAP-CYCLONE LOW; VC-RM84V,ABS,EBONY BLACK	SA	1
3	DJ97-01800A	4	RL067	DJ63-01186A	COVER-CYCLONE; VC-RM84V,ABS,EBONY BLACK	SA	1