

**SAMSUNG**

# INDUCTION HOB

Model : NZ63R3727BK

# ***SERVICE*** Manual

**INDUCTION HOB**

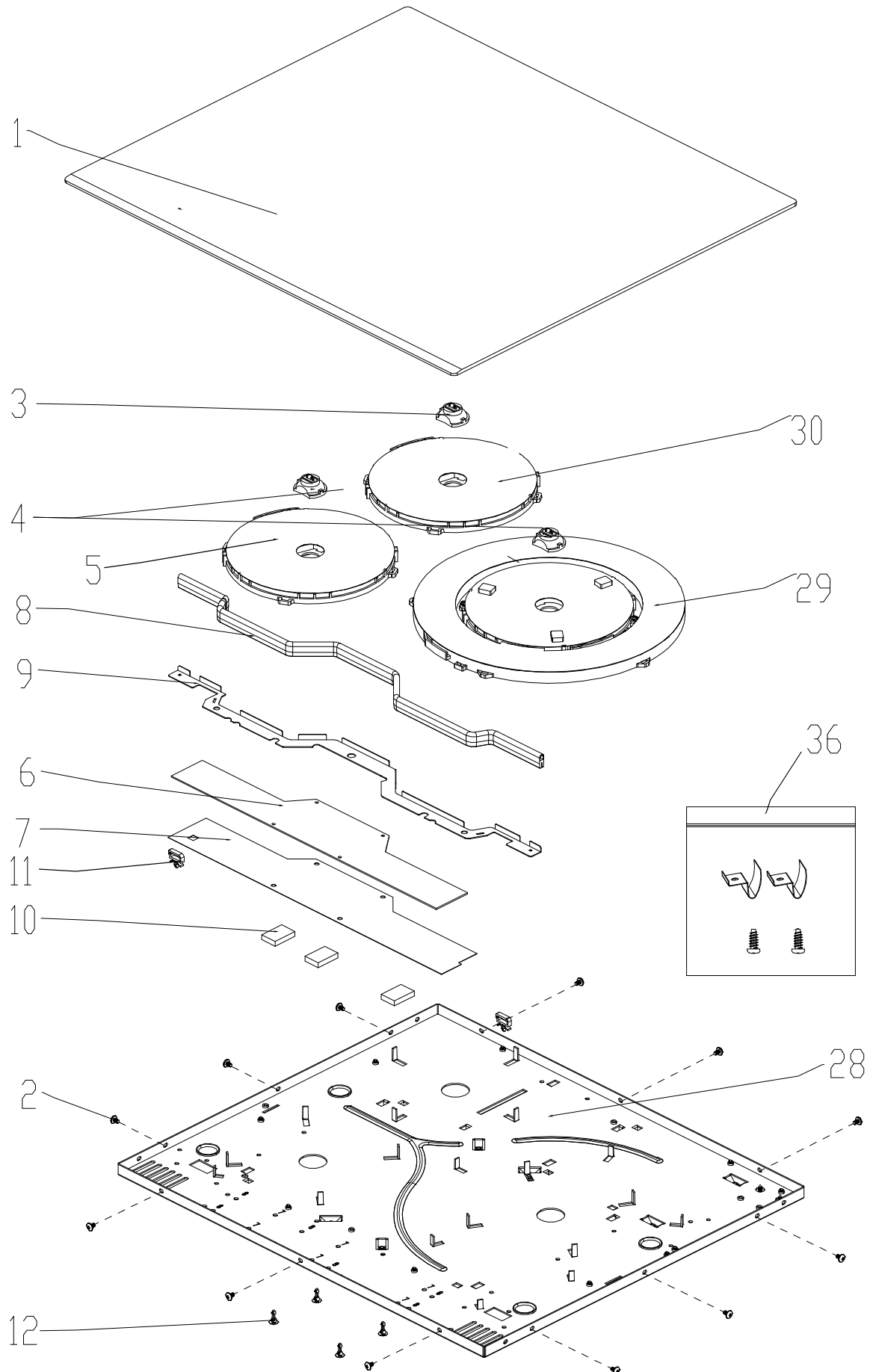


**CONTENTS**

1. Precaution
2. Product Specification
3. Disassembly and Reassembly
4. Trouble Shooting
5. **Wiring Diagrams**

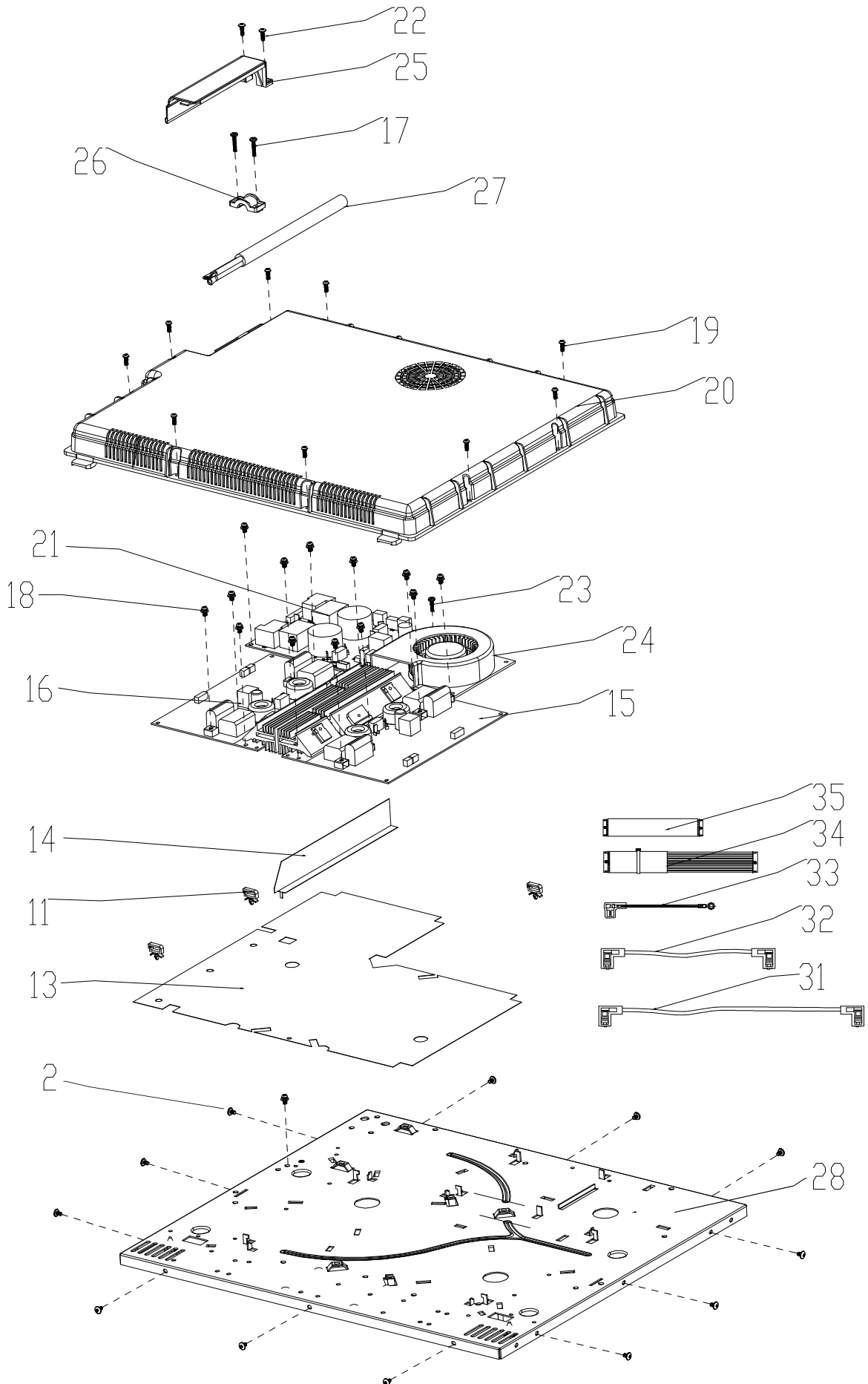
## 6. Exploded view and Parts List

NZ63R3727BK



# 6. Exploded view and Parts List

NZ63R3727BK



NO	Midea part number	Samsung part number	Midea Part Name	Description (BOM)	Q'ty	Unit	SA / SNA
1	12566000A18188	DG81-02844A	A/S-GLASS ASSEMBLY	NZ63R3727BK/UR,12566000A18188,ASSY TOP PLATE, Dual Ring	1	EA	SA
2	11303119000006	DG81-01423A	A/S-SCREW	NZ64F3NM1AB,17466000000117,GLASS SCREW	12	EA	SA
3	17466000000194	DG81-01448A	A/S-TEMP SENSOR	NZ64F3NM1AB,17466000000191, TOP SENSOR, LR BURNER	1	EA	SA
4	17466000000191	DG81-01449A	A/S-TEMP SENSOR	NZ64F3NM1AB,12666100000009, TOP SENSOR	2	EA	SA
5	17466000000107	DG81-01427A	A/S-140COIL GROUPWARE	NZ63F3NM1AB,17466000000085,140mm w-coil	1	EA	SA
6	17166000011405	DG81-02845A	A/S-DISPLAY PBA	NZ63R3727BK/UR,17166000011405,15B, Slide touch	1	EA	SA
7	12766000000035	DG81-02846A	A/S-DISPLAY BOARD MICA SHEET	NZ63R3727BK/UR,12766000000035,MICA SHEET, TOUCH PBA,	1	EA	SA
8	12666100000009	DG81-01450A	A/S-SILICONE SEALED STRIP	NZ64F3NM1AB,12466000000002,GASKET FRONT	1	EA	SA
9	12266000000012	DG81-01439A	A/S-HEAT INSULATE BRACKET	NZ64F3NM1AB,171660000000225,FRONT BRACKET	1	EA	SA
10	12466000000002	DG81-01451A	A/S-SUPPORTING FOAM	NZ64F3NM1AB,12966000000014,TOUCH SUPPROT FOAM	3	EA	SA
11	12166000000027	DG81-01434A	A/S-LINE CLAMP	NZ64F3NM1AB,12266000000012,CABLE CLAMP	5	EA	SA
12	12166000000029	DG81-01433A	A/S-KNIGHTHEAD	NZ64F3NM1AB,12166000000027,TOUCH PBA SUPPORT	4	EA	SA
13	12766000000024	DG81-01431C	A/S-ISINGLASS FLAKE B	NZ63M3707AK,12766000000024,3 BURNER,PBA	1	EA	SA
14	12166000000055	DG81-02847A	A/S-INSULATION PATCH	NZ63R3727BK/UR,12166000000055,HEAT SINK INSULATION	1	EA	SA
15	17166000000225	DG81-01442A	A/S-POWER BOARD	NZ63F3NM1AB,17466000000194,INVERTER -L, 3BURNER	1	EA	SA
16	17166000008224	DG81-01443A	A/S-POWER BOARD	NZ63F3NM1AB,17166000008224,INVERTER -R, 3BURNER	1	EA	SA
17	11303223000031	DG81-02848A	A/S-SCREW	NZ63R3727BK/UR,11303223000031	2	EA	SA
18	11300912000005	DG81-02849A	A/S-SCREW	NZ63R3727BK/UR,11300912000005	14	EA	SA
19	11303125000010	DG81-01420A	A/S-SCREW	NZ64F3NM1AB,11303125000010,MOLD ASSY SCREW	10	EA	SA
20	12166000002939	DG81-02850A	A/S-BOTTOM BASE	NZ63R3727BK/UR,12166000002939,BASE COVER	1	EA	SA
21	17166000000922	DG81-02851A	A/S-POWER BOARD PBA	NZ63R3727BK/UR,17166000000922	1	EA	SA
22	11303119000066	DG81-02852A	A/S-SCREW	NZ63R3727BK/UR,11303119000066	2	EA	SA
23	11303125000035	DG81-02853A	A/S-SCREW	NZ63R3727BK/UR,11303125000035	1	EA	SA
24	17466000000046	DG81-02854A	A/S-FAN	NZ63R3727BK/UR,17466000000046,DC motor	1	EA	SA
25	12166000002938	DG81-02681A	A/S-POWER CORD CASE COVER	NZ64N3707AS/UR, NZ64N3NM1BS/UR,12166000002938,5*2.5 mm2 POWER CORD COVER,SEG	1	EA	SA

NO	Midea part number	Samsung part number	Midea Part Name	Description (BOM)	Q'ty	Unit	SA / SNA
26	12166000002937	DG81-02680A	A/S-CORD PRESS PANEL	NZ64N3707AS/UR, NZ64N3NM1BS/UR,12166000002937,Cord Press Panel,SEG	1	EA	SA
27	17466000A00501	DG81-02683A	A/S-POWER CORD	NZ64N3707AS/UR, NZ64N3NM1BS/UR,17466000A00501,5*2.5 mm2 Power CABLE,SEG	1	EA	SA
28	12266000000054	DG81-02855A	A/S-SUPPORT ALUMINUM PLATE	NZ63R3727BK/UR,12266000000054	1	EA	SA
29	17466000000085	DG81-01428A	A/S-280COIL GROUPWARE	NZ63F3NM1AB,12166000000029,280mm w-coil	1	EA	SA
30	17466000000117	DG81-01425A	A/S-180COIL GROUPWARE	NZ63F3NM1AB,17466000000107,180mm w-coil	1	EA	SA
31	17466000005465	DG81-02856A	A/S-WIRE HARNESS	NZ63R3727BK/UR,17466000005465	2	EA	SA
32	17466000005467	DG81-02857A	A/S-WIRE HARNESS	NZ63R3727BK/UR,17466000005467	2	EA	SA
33	17466000005466	DG81-02858A	A/S-EARTH WIRE	NZ63R3727BK/UR,17466000005466	1	EA	SA
34	17166000008862	DG81-02859A	A/S-DISPLAY PBA CONNECTOR CABLE	NZ63R3727BK/UR,17166000008862	1	EA	SA
35	17166000008942	DG81-02860A	A/S-DISPLAY PBA CONNECTOR CABLE	NZ63R3727BK/UR,17166000008942	2	EA	SA
36	12966000000014	DG81-01462A	A/S-INSTALLATION BRACKET	NZ64F3NM1AB,11300912000008	1	EA	SA