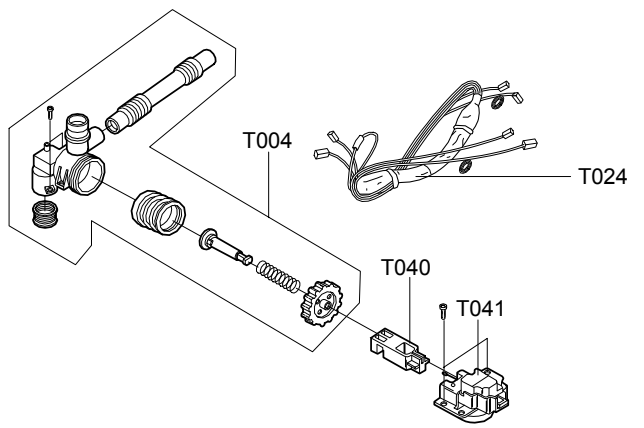
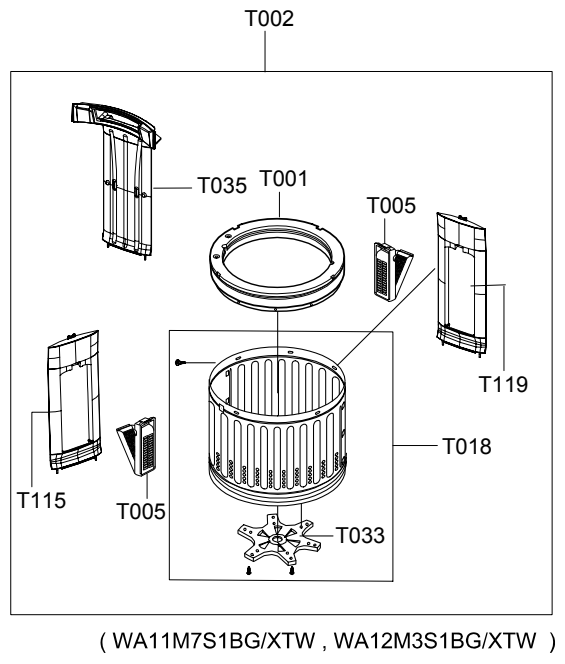
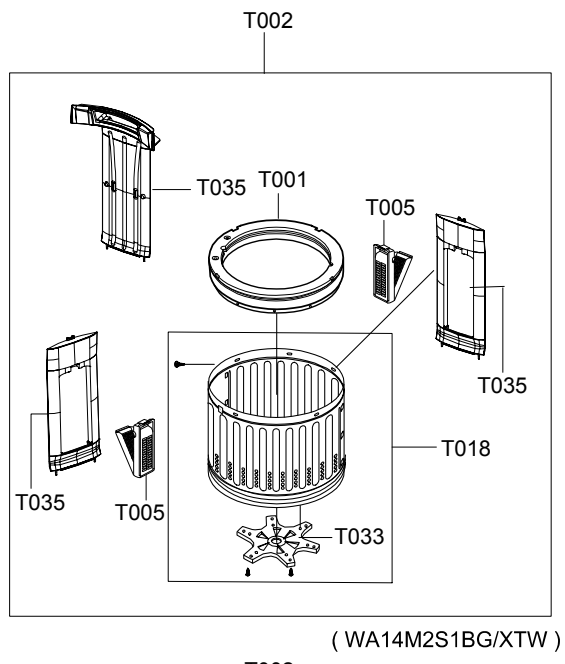
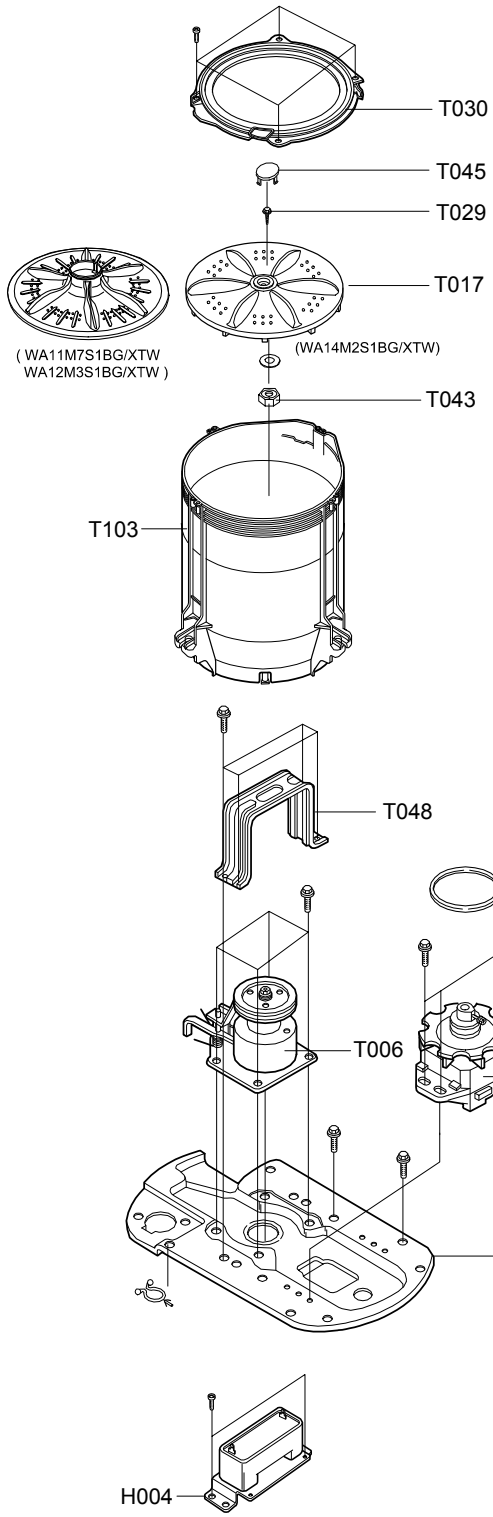


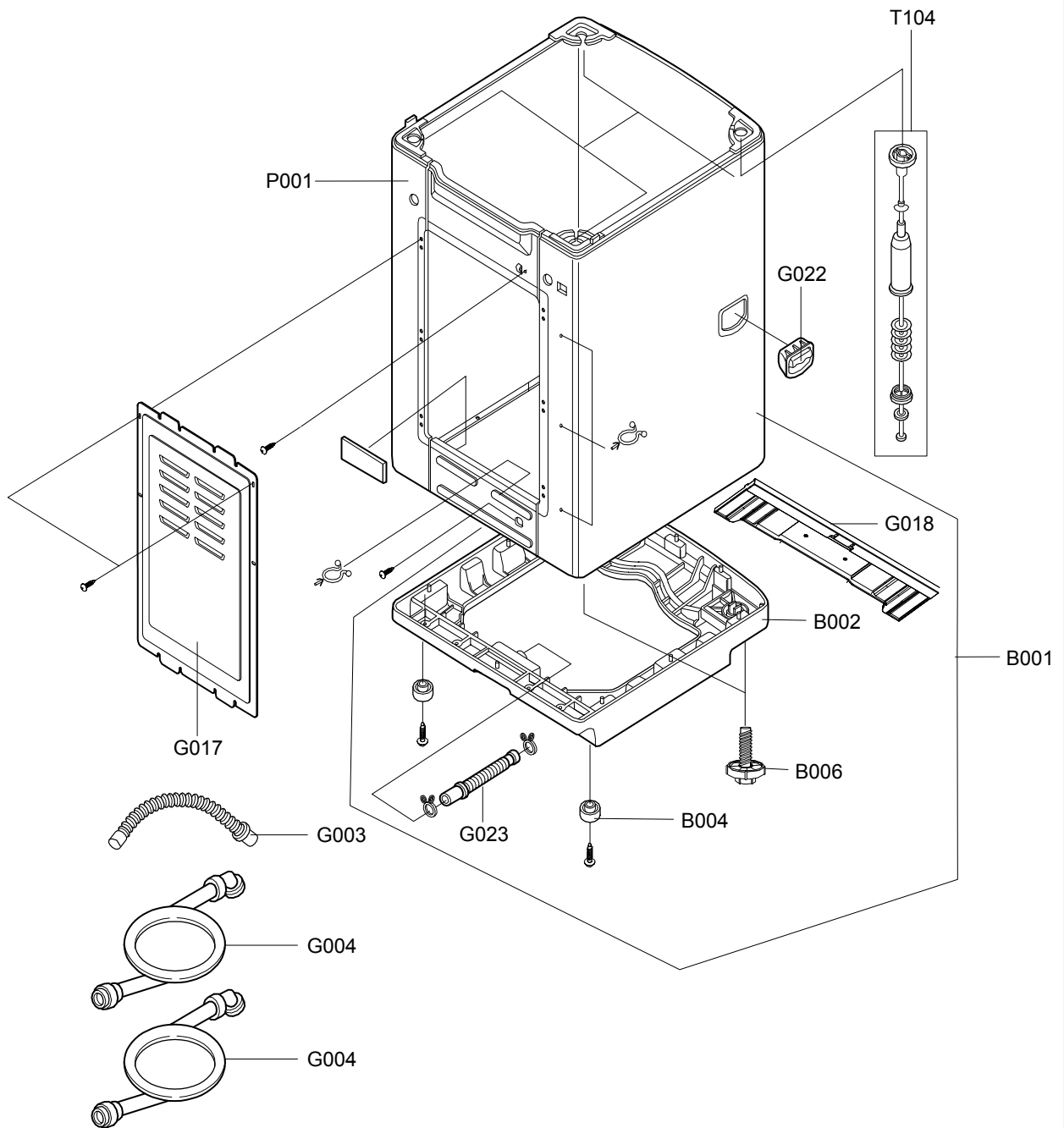
ASSY-TUB OUTER(SPIN BASKET)



Parts List

NO.	CODE NO.	DESCRIPTION;SPECIFICATION	QTY	REMARK
H004	DC62-50118T	CONDENSER-M.F;ABS,L122,W42,250VAC_60MFD,	1	WA11M7G , WA12M3S
H004	DC62-50118Q	CONDENSER-M.F;250VAC/64MFD,L122,W42,-,-	1	WA14M2S
H011	DC31-00008C	MOTOR-WASHING;WAS360ZQEA,110V/60Hz,-,-,G	1	WA11M7G , WA12M3S
H011	DC31-10026C	MOTOR-WASHING;AMPWS-360ZQEB,110VAC,60HZ,	1	WA14M2S
T001	DC97-00526D	ASSY-BALANCER;SEW-SA101E(SPIN/GRY),M-FIL	1	WA11M7G , WA12M3S
T001	DC97-01806A	ASSY-BALANCER;SEW-SA101E,KS-PJT	1	WA14M2S
T002	DC97-05443B	ASSY-BASKET SPIN;SEW-3G101HS,NEW-BOWL/MA	1	WA11M7G , WA12M3S
T002	DC97-06999A	ASSY-BASKET SPIN;TORNADO12,SAVING WATER,	1	WA14M2S
T004	DC91-10259A	ASSY-CASE D.V;SEW-PB10,-	1	
T005	DC97-00252J	ASSY-FILTER;WA11RAS3EG/XST,AG+RESIGN/SAV	1	WA11M7G , WA12M3S
T005	DC97-00252J	ASSY-FILTER;WA11RAS3EG/XST,AG+RESIGN/SAV	2	WA14M2S
T006	SCA-10RF40	ASSY-CLUTCH;SCA-10RF40(SEM-10TH)	1	
T017	DC97-05904A	ASSY-PULSATOR;SEW-3G100V,1-PIECE	1	WA11M7G , WA12M3S
T017	DC97-03202C	ASSY-PULSATOR;SEW-P100A,T0.5/NO-SHINE	1	WA14M2S
T018	DC97-05444A	ASSY-S.BASKET SPIN;BB-PJT,NEW-BOWL	1	WA11M7G , WA12M3S
T018	DC97-06998A	ASSY-S.BASKET SPIN;TORNAO12,SAVING WATER	1	WA14M2S
T024	DC96-00572A	ASSY-WIRE HARNESS;SEW-3G100A,DL-TYPE	1	
T027	DC66-10170B	BELT-V;RUBBER,M21.6,L596,SEW-950,-	1	
T029	DC60-40133A	BOLT-PULSATOR;M8,L25,-,STS 304	1	
T030	DC61-10670E	COVER-TUB;SEW-SA101,PP,-,-,-,SPIN/GRY,	1	
T032	DC61-70061B	DIE-MOTOR;SEW-M103,SBHG1-A,-,-,-,SEM-10T	1	
T033	DC66-40167B	FLANGE-SHAFT;ALDC8,SEM-10T(10KG)6-WING,N	1	WA11M7G , WA12M3S
T033	DC60-00023A	FLANGE-SHAFT;PT-PJT,ALDC,-,-,-,-,-	1	WA14M2S
T040	DC66-30024A	LINK-DRAIN;PP,L66.5,SEW-PB10	1	
T041	DC31-20014C	MOTOR DRAIN;KD-SM11TA,100~120V,50~60HZ(B	1	
T043	DC60-50004A	NUT-SPIN;-ZND1,M24,-,-,L14,-,-,CW	1	
T045	DC66-50189H	PULSATOR-CAP;WA12K2Q1IW/YGG,ABS,SAVOY BL	1	WA11M7G , WA12M3S
T045	DC66-00032D	PULSATOR-CAP;WA85B5N1IG/YFQ,ABS,SAVOY BL	1	WA14M2S
T048	DC61-40238A	SUPPORT-SADDLE;SEW-V10,SBHG1-A,-,T1.6,-,	1	
T073	DC96-00114A	ASSY-PULLEY MOTOR;SEW-DX106,-	1	WA11M7G , WA12M3S
T073	DC90-11070E	ASSY-PULLEY MOTOR;SEW-100,-	1	WA14M2S
T103	DC61-30094B	TUB-OUTER;-PP(BJ-730),-,-,NTR,SEM-10T(1	1	
T115	DC61-00861A	GUIDE-W.F(M);SEW-3G100A BB,PP,-,-,1/2,SP	1	WA11M7G , WA12M3S
T119	DC61-00862A	GUIDE-W.F(F);SEW-3G100A,PP,-,-,1/2,SPIN/	1	WA11M7G , WA12M3S
T035	DC61-00586A	GUIDE-W.F;PT-PJT,PP,-,-,-,STS-TYPE	2	WA14M2S

ASSY-CASE OUTER



Parts List

NO.	CODE NO.	DESCRIPTION;SPECIFICATION	QTY	REMARK
B001	DC97-05104A	ASSY-BASE;SEW-3G100A,HOSE(L201)	1	
B002	DC61-00455A	BASE;PP,KS-PJT,-,	1	
B004	DC61-50167A	LEG-RUBBER;BUTYL,10KG/12KG,D29(BACK)	2	
B004	DC61-50166A	LEG-RUBBER;BUTYL,10/12KG,D41(FRONT)	2	
B006	DC91-11795D	ASSY-LEG;SEW-D107,RUBBER-LEG+ADJUST	2	
G003	DC97-00357A	ASSY-HOSE DRAIN(O);SEW-DX105,IVORY,L1150	1	
G004	DC91-10241G	ASSY-HOSE WATER;EXPORT,1.0MT/COLD	1	
G017	DC61-10571B	COVER-BACK;- ,SBHG1-A,-,-,-,-,EDGE-BEND	1	
G018	DC64-00356A	SHUTTER;SEW-G102A,PP,-,-,-,NTR,PT-PJT/VE	1	
G022	DC61-20209L	HANDLE;SW12E1S(P),PP,-,-,-,-,LIGHT/GRY,-	2	
G023	DC62-00009A	HOSE-DRAIN;SEW-DX105,PP+EVA,ID41,-,-,-,L11	1	
P001	DC99-00500A	ASSY-PAINT;WA14M2S1BG/XTW,NO-PUMP/GRAY	1	
T104	DC97-00469N	ASSY-DAMPER;SEW-TA101,FRONT/L611	2	
T104	DC97-00469P	ASSY-DAMPER;SEW-TA101,REAR/L615	2	

BOLT/SCREW Parts List

CODE NO.	DESCRIPTION	SPECIFICATION	REMARK	QTY
6002-001306	SCREW-TAPPING	TH,+ ,1,M4,L14,ZPC(YEL)	LEG-RUBBER	2
6002-001306	SCREW-TAPPING	TH,+ ,1,M4,L14,ZPC(YEL)	LEG-RUBBER	1
6002-001006	SCREW-TAPPING	TH,+ ,2S,M4,L12,-,STS410	COVER-T.C	2
6002-001006	SCREW-TAPPING	TH,+ ,2S,M4,L12,-,STS410	PANEL	3
6002-001306	SCREW-TAPPING	TH,+ ,1,M4,L14,ZPC(YEL)	CHECKER	2
6002-001306	SCREW-TAPPING	TH,+ ,1,M4,L14,ZPC(YEL)	PCB	4
6002-001307	SCREW-TAPPING	TH,+ ,1,M5,L16,PASS	COVER-TOP	2
6002-001308	SCREW-TAPPING	TH,+ ,1,M5,L20,ZPC(YEL)	COVER-TOP	2
DC61-00584D	CAP-SCREW	TS85-PJT,SILICON,-,-,-,SNOW/WHT,-	PANEL	3
6002-000445	SCREW-TAPPING	TH,+ ,2S,M4,L18,NTR,STS304	GUIDE-WATER	1
6002-001204	SCREW-TAPPING	TH,+ ,1,M4,L16,PASS,STS304	V/WATER	3
6002-001306	SCREW-TAPPING	TH,+ ,1,M4,L14,ZPC(YEL)	HINGE-DOOR	2
6002-000630	SCREW-TAPPING	PH,+ ,2S,M3,L8,ZPC(YEL),SWRCH18	-	2
6002-001160	SCREW-TAPPING	TH,+ ,2,M5,L16,PASS,STS430	COVER-TUB	4
6002-001306	SCREW-TAPPING	TH,+ ,1,M4,L14,ZPC(YEL)	CABLE-CLAMP	1
6002-001313	SCREW-TAPPING	HWH,+ ,2S,M6.5,L25,ZPC(YEL)	SADDLE	4
DC02-10009A	CHEMICALS-LOCK SCREW	NO2,-,-,-	NUT-HEX	0.0008
DC60-00006A	WASHER-WAVE	STS301,ID24.7,OD40,T0.8,WAVE,NTR,-	F/SHAFT	1
DC60-40133A	BOLT-PULSATOR	M8,L25,-,STS 304	PULSATOR	1
DC60-50004A	NUT-SPIN	-,ZND1,M24,-,-,L14,-,-,CW	F/SHAFT	1
DC60-50145A	NUT-HEX	-,MSWR10,-,-,-,-,-,M10	MOTOR-WASHING	1
DC91-11258U	ASSY-SCREW	M8*30FE/FZY(FRANGE),MOTOR(COAT	MOTOR	4
DC60-40007A	BOLT-HEX	SM18C,HH,M6,L22,FP,ZPC2,-,-	-	1
DC60-50152A	NUT-HEX	3,M6,FZY,FE,-	-	1
6031-000554	WASHER-PLAIN	M6,ID6.5,OD26,T2.0,ZPC(YEL),SB	AIR-SEAL	1
6031-000554	WASHER-PLAIN	M6,ID6.5,OD26,T2.0,ZPC(YEL),SB	AIR-SEAL	1
DC97-04458C	ASSY-SCREW	SEW-3G100A,D_TYPE/L20/NO_LOCTIT	SHAFT	4
6002-000241	SCREW-TAPPING	TH,+ ,2S,M5,L12,ZPC(YEL),SWRCH18A	M/DRAIN	2
6002-001305	SCREW-TAPPING	TH,+ ,2S,M5,L16,PASS	CASE-D.V	2
6002-001305	SCREW-TAPPING	TH,+ ,2S,M5,L16,PASS	CONDENSER	2
6002-001306	SCREW-TAPPING	TH,+ ,1,M4,L14,ZPC(YEL)	E/WIRE	1
6002-001313	SCREW-TAPPING	HWH,+ ,2S,M6.5,L25,ZPC(YEL)	DIE-MOTOR	9
DC60-20026A	SCREW-TAPPING	-,D5.2,L18,HH,+ ,2,-,FE,FZY	GUIDE-WIRE	2
6002-000643	SCREW-TAPPING	TH,+ ,2S,M4,L10,ZPC(YEL),SWRCH1	ASSY-GUIDE W.F	2
6002-001186	SCREW-TAPPING	TH,+ ,2,M5.5,L16,PASS,STS304	BALANCER	10
6002-001188	SCREW-TAPPING	TH,+ ,2,M5.5,L25,PASS,STS304	F/SHAFT	6
6002-001006	SCREW-TAPPING	TH,+ ,2S,M4,L12,-,STS410	-	12
DC02-10009A	CHEMICALS-LOCK SCREW	NO2,-,-,-	-	0.000111
DC60-50145A	NUT-HEX	-,MSWR10,-,-,-,-,-,M10	-	1
DC60-60046A	WASHER-SPRING	-,,-,-,-,PVC/PEFILM	-	1
DC60-60060A	WASHER	-,T2,-,ID12,OD24,-,YEL,-	-	1
DC97-00623A	ASSY-WASHER PLAIN	SEW-524,SEM-NEW	-	1
DC60-00012A	WASHER-PLAIN	STS304,ID24,OD37,T3.0,PLAIN,-,SEM-NEW	-	1
6021-001113	NUT-HEXAGON	2C,M4,ZPC(YEL),SM10C	-	2
6031-001283	WASHER-PLAIN	SCP1,-,ID4.3,OD8,T0.8,ZPC(YEL)	-	2
6031-001271	WASHER-PLAIN	C5191P,-,ID12.5,OD19,T0.25,YEL	-	1
DC60-60032A	WASHER-B.C	-,ID14.5,OD21.0,T0.5,-,MSWR10	-	1
DC60-60038A	WASHER	-,ID12.5,OD18,-,-,-	-	1
DC60-00013A	BOLT-HEX	MSWR,HEX,M5,L20,-,ZPC2,SEW-524,SEM-10H	-	1
DC60-00014A	NUT-HEX	-,,-,-,-,ZPC2,-,HEX,SEW-524,MSWR	-	2
DD60-50018A	NUT-FLANGE	-,M5XP0.8,FZY,MSWR10,-	-	1
6002-000239	SCREW-TAPPING	TH,+ ,2S,M4,L8,ZPC(YEL),SM20C	COVER-BACK	2
6002-000470	SCREW-TAPPING	TH,+ ,1,M4,L10,ZPC,SCRCH18A	BASE	9
6006-001170	SCREW-TAPPING	WS,TH,+ ,M4,L10,ZPC(YEL)	EARTH	2



ELECTRONICS

This Service Manual is a property of Samsung Electronics Co.,Ltd.
Any unauthorized use of Manual can be punished under applicable
International and/or domestic law.

©Samsung Electronics Co., Ltd. 2004 JULY

Printed in Korea

Code No. : DC68-02250A