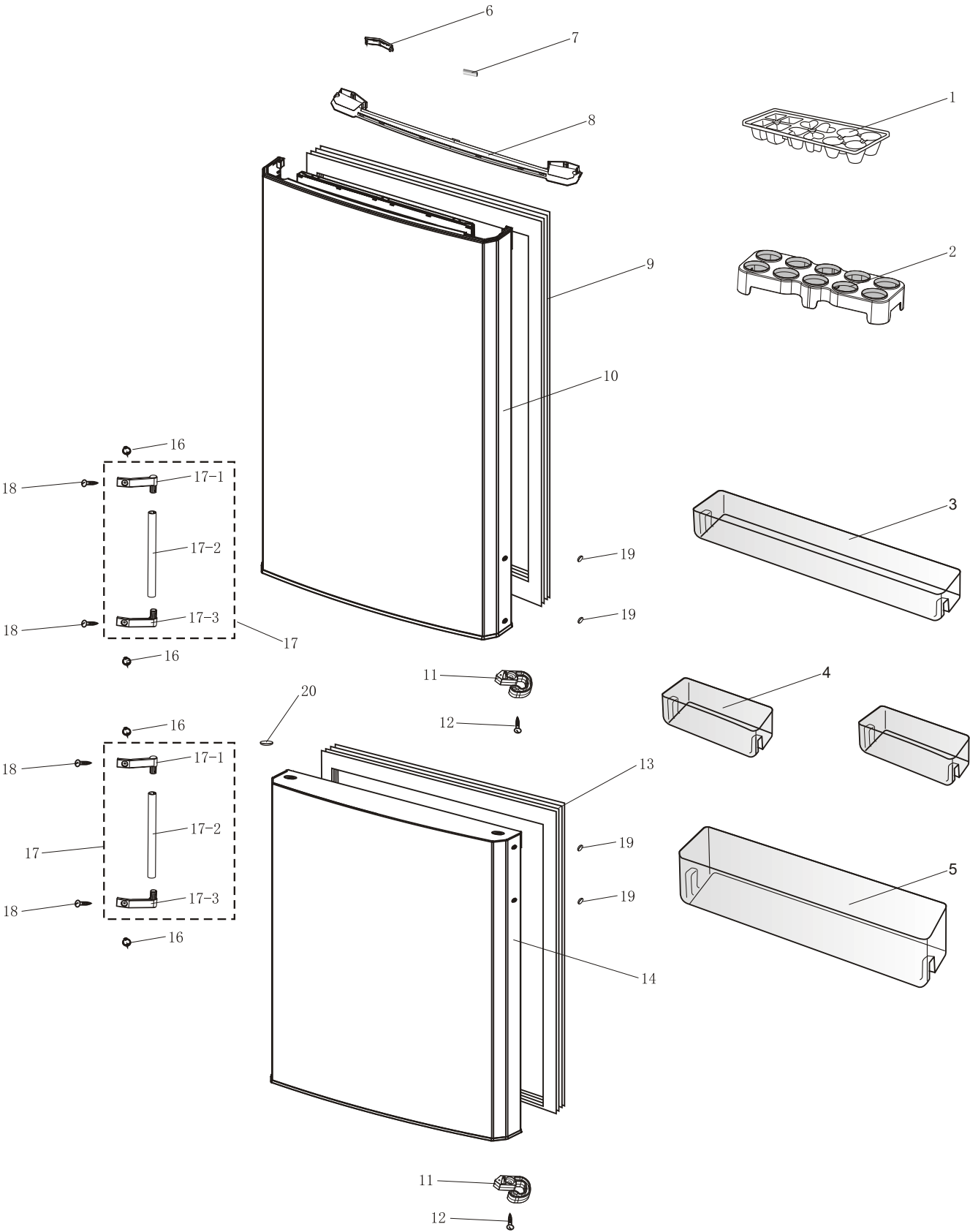


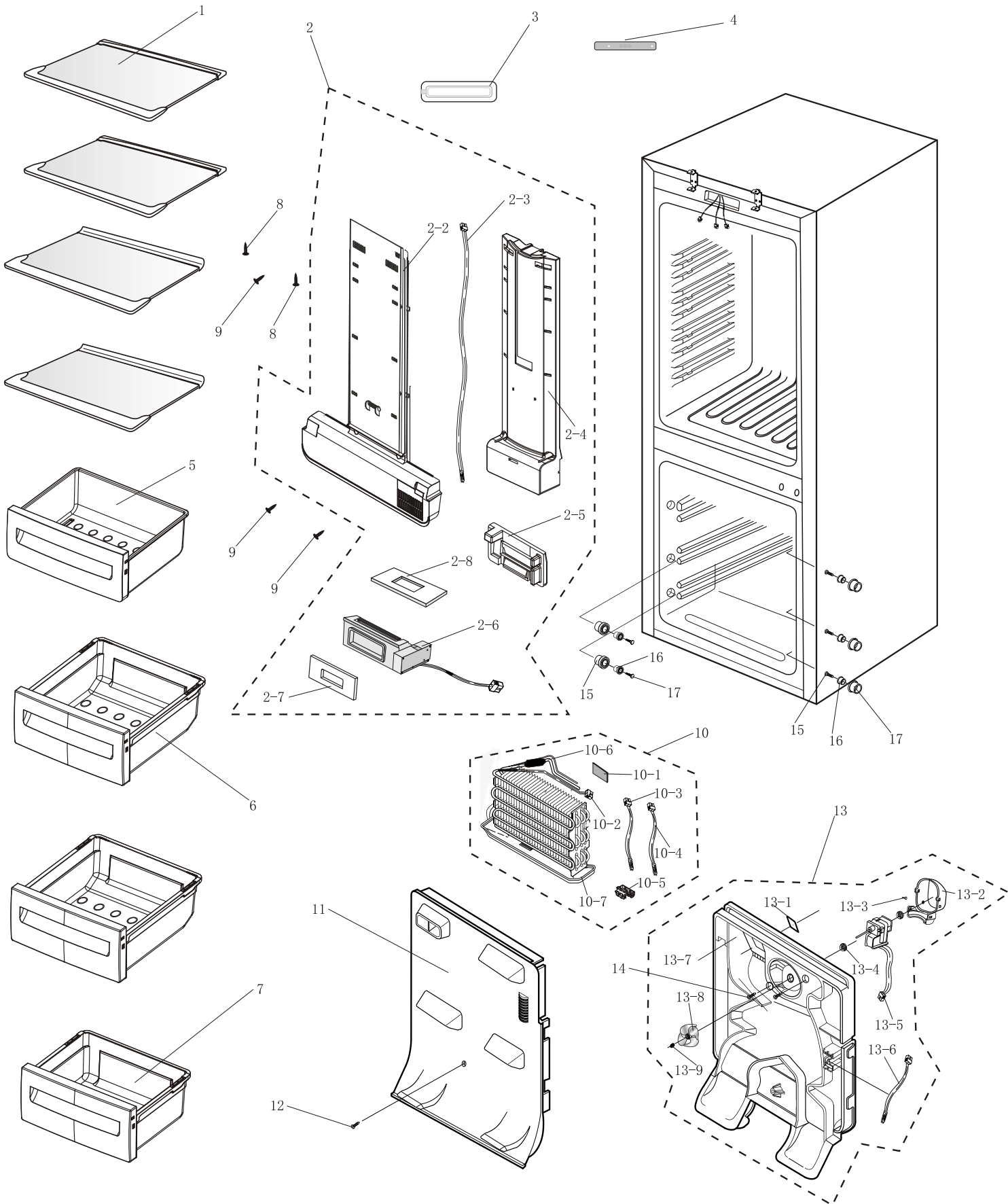
7-1. Disassembly of Door (RL34SGSW1/XES)



■ Parts List

N0.	CODE NO	English Name	Specification	SA/SNA	QTY	SVC NO
1	DA63-02856A	TRAY-ICE	CTA,PP,T1.2,-,-,-,-,-	SA	1	A0582
2	DA63-03806A	TRAY EGG	W07,HIPS,T2,-,-,-,-,-	SA	1	A0656
3	DA63-03781A	GUARD EGG	W07,GPPS,-,-,-,-,-	SA	1	Z1145
4	DA63-03799A	GUARD VARIETY	W07,GPPS,-,-,-,-,-	SA	2	A0153
5	DA63-03798A	GUARD BOTTLE	W07,GPPS,-,-,-,-,-	SA	1	A0151
6	DA67-01795A	CAP-SPACER DOOR	W07,ABS,T1.2,-,-,-,-,-	SNA	1	Z1155
7	DA61-03099A	MAGNET-H/B	N07-PJT,SSEC,MAGNET,FE,-,-,L1	SA	1	Z1156
8	DA63-03785A	COVER DOOR-UPP	W07,ABS,T1.2,SW,SC-97527R	SA	1	Z1154
9	DA63-04297C	GASKET DOOR-REF	W07,PVC-SF,-,W546,L882.7	SA	1	A0083
10	DA91-02553E	ASSY DOORFOAM REF	W07,SW,NLOCK,-,SEMI,S	SA	1	A0052
11	DA61-03672A	STOPPER DOOR	W07,POM,-,-,-,-,-	SNA	1	A0640
12	6002-001122	SCREW-TAPPING	FH,+,NO,1,M4,L14,ZPC(WHT),	SNA	2	G0412
13	DA63-04297D	GASKET DOOR-FRE	W07,PVC-SF,-,W546,L672,G	SA	1	A0081
14	DA91-02554A	ASSY DOORFOAM FRE	W07,SW,NLOCK,-,PCM,-	SA	1	A0051
15	-	-	-	-	-	-
15-1	-	-	-	-	-	-
15-2	-	-	-	-	-	-
15-3	-	-	-	-	-	-
15-4	-	-	-	-	-	-
15-5	-	-	-	-	-	-
15-6	-	-	-	-	-	-
16	DA67-01472J	CAP-SCREW HANDLE	W07,2008GVE,PA+ABS,T1.2	SA	2	A0826
17	DA97-06301A	ASSY REINF-HANDLE BAR	W07,T1.5,-,-,-,-,-	SNA	4	-
17-1	DA97-04040N	ASSY HANDLE-UPP	W07,2008GVE,SBHG1,-,-,-,	SNA	1	-
17-2	DA64-02361F	HANDLE BAR	W07,2008GVE,ABS,-,-,L260,-,-,	SNA	1	A0265
17-3	DA97-04041N	ASSY HANDLE-LOW	W07,2008GVE,SBHG1,-,-,-,	SNA	1	A0811
18	6002-001122	SCREW-TAPPING	FH,+,NO,1,M4,L14,ZPC(WHT),	SNA	2	G0412
19	DA67-01473B	CAP-HOLE DOOR	W07,PP,-,-,-,SW,-	SA	2	Z1161
20	DA67-01800A	CAP-HOLE DOOR FRE	W07,ABS,LG-121H	SA	1	Z1153

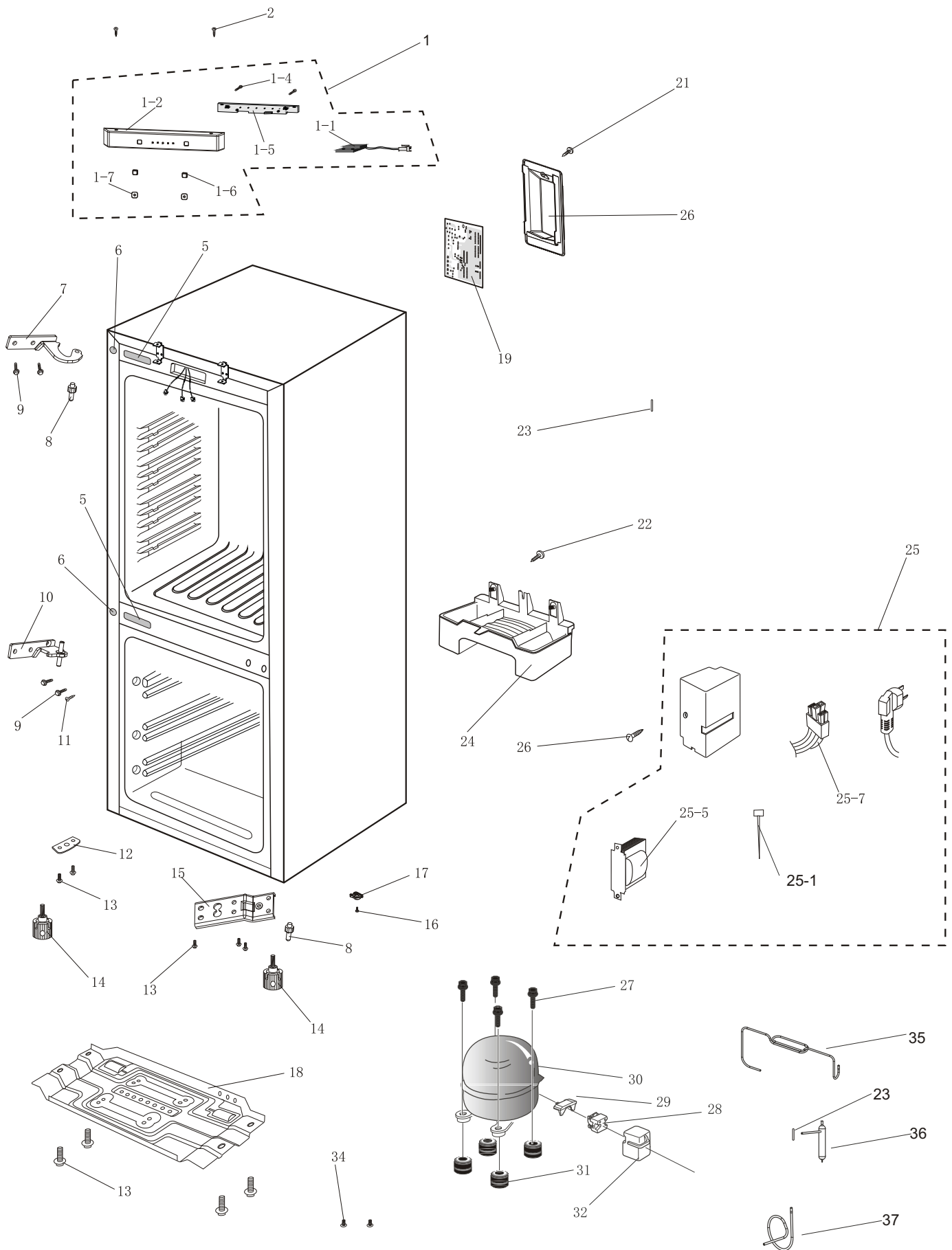
7-2 Fridge and Freezer(RL34SGSW1/XES)



Parts List

NO.	CODE NO	English Name	Specification	SA/SNA	QTY	SVC NO
1	DA97-05405B	ASSY SHELF REF	W07, GLASS+PP	SA	4	A0185
2	DA97-10600A	ASSY COVER MULTI	W07, RL34	SA	1	-
2-1	-	-	-	-	-	-
2-2	DA63-05681A	COVER-MULTI REF	W07, RL34, PP, W91527, M1600	SA	1	A0689
2-3	DA32-00012J	SENSOR TEMP-REF	502AT/PX-41C, RL34*, -, -, -	SA	1	A0688
2-4	DA62-01571A	INSULATION-MULTI REFA	W07, FOAM-PS	SNA	1	-
2-5	DA62-01570A	INSULATION-MULTI REF B	W07, FOAM-PS	SNA	1	-
2-6	DA31-00218B	MOTOR DC-DAMPER	-, -, -, DC12V, Max60mA, -, -, -	SA	1	G0242
2-7	DA62-01638A	SEAL-COVER MULTI REAR	W07-PJT, FOAM-PE, WH	SNA	1	-
2-8	DA62-01637C	SEAL-COVER MULTI LOW	W07, AOPUSAILUO, OJC-	SNA	1	-
3	DA63-05460A	COVER LAMP	CC, ABS, W35, L145, transparent, P	SA	1	A0280
4	REF4100675J-F2	SSEC LED LAMP	-	-	1	-
5	DA97-05406A	ASSY TRAY-VEG	W07, GPPS+PP, film	SA	1	A0018
6	DA97-05407B	ASSY TRAY-UP	W07, -, -, -, GPPS+PP, FILM	SA	2	A0015
7	DA97-05408B	ASSY TRAY-LOW	W07, -, -, -, GPPS+PP, FILM	SA	1	A0013
8	6002-001122	SCREW-TAPPING	FH, +, NO, 1, M4, L14, ZPC(WHT),	SNA	2	G0412
9	6002-001122	SCREW-TAPPING	FH, +, NO, 1, M4, L14, ZPC(WHT),	SNA	2	G0412
10	DA96-00401P	ASSY EVAP-FRE	W07, 220V, 50Hz, PL	SA	1	A0163
10-1	DA72-00088A	SEAL-BUTYL RUBBER	C-P, BUTYL-RUBBER, -, T3,	SNA	1	-
10-2	DA47-00263F	HEATER DEFROST	W07, 250W, 220V	SA	1	A0753
10-3	DA47-00138E	THERMO FUSE	W07, G4A01, 72C, 250V, 10A, L=200	SA	1	A0685
10-4	DA32-00012K	SENSOR TEMP-EVAP F	W07-PJT, 5V, pink, 380	SNA	1	-
10-5	DA61-03716A	FIXER-SENSOR EVAP	W07, PP, -, -, -	SNA	1	M9009
10-6	DA59-00364A	EVAP FRE	W07-PJT, -, AL, -, -, -, -, -, -	SNA	1	A0742
10-7	DA67-00979B	DRAIN EVAP-FRE	W07-PJT, SGCC, T0.5	SNA	1	0
11	DA97-05485D	ASSY COVER EVAP-FRONT	W07, IMPROVE ENERGY	SA	1	A0661
12	6002-001122	SCREW-TAPPING	FH, +, NO, 1, M4, L14, ZPC(WHT),	SNA	2	G0412
13	DA97-05993Q	ASSY COVER EVAP-REAR	W07, 240V	SA	1	A0667
13-1	DA62-01090B	SEAL DUCT	RL33, EPDM, BLACK, T8, W93, L95, -	SNA	1	-
13-2	DA61-01441A	CASE MOTOR	BCD-290, PP, -, -, -, NTR, -	SNA	1	-
13-3	DA63-40167A	GROMMET-COVER CHIL	SILICON, L16, WHITE	SNA	1	M2002
13-4	DA63-40115A	GROMMET-MOTOR	L20, SILICON-RUBBER, -, -, -, -	SNA	2	A0218
13-5	DA31-00197F	FAN-MOTORAC	RL34E, PBT+GF, 5.7W, LIUSHENG	SA	1	Z1139
13-6	DA32-00012L	SENSOR TEMP-F	W07-PJT, 5V, WHITE, 400	SNA	1	-
13-7	DA63-03787B	COVER EVAP-REAR	W07, PP, NTR, IMPROVE ENERG	SNA	1	G0236
13-8	DA31-00019A	FAN-PROPELLER	-, SR-32, 35, NTR, -, -, -, -	SA	1	Z1138
13-9	DA61-20128A	SPRING ETC-FAN	STS304, PI8.8, ID7.8, OD9.8,	SNA	1	A0768
14	6002-001122	SCREW-TAPPING	FH, +, NO, 1, M4, L14, ZPC(WHT),	SNA	2	G0412
15	DA66-00825A	ROLLER-TRAY	W07, POM	SA	6	Z1140
16	-	-	-	-	-	-
17	6002-001122	SCREW-TAPPING	FH, +, NO, 1, M4, L14, ZPC(WHT),	SNA	2	G0412

7-3 Overall Assembly(RL34SGSW1/XES)



■ Parts List

N0.	CODE NO	English Name	Specification	SA/SNA	Qty	SVC NO
1	DA90-04803A	ASSY COVERTOP-FRONT	W07,SEMI,2008,,,SW,	SA	1	Z1141
1-1	DA34-00046B	SWITCH-REED	KYESH,JST,200V,0.5A,DC,L90,O	SA	1	Z1142
1-2	DA63-03792A	COVER TOP-FRONT	W07,ABS,LG-121h,SEMI	SNA	1	A0820
1-3	DA63-03792A	COVER TOP-FRONT	W07,ABS,LG-121h,SEMI	SNA	1	A0820
1-4	6002-001122	SCREW-TAPPING	FH,+,NO,1,M4,L14,ZPC(WHT),	SNA	2	G0412
1-5	DA41-00483A	ASSY PCB KIT LED	RL34S,-,CEM-1,-,-,-,-	SA	1	G0069
1-6	DA63-03804A	GROMMET-BUTTON SELECT	W07,RUBBER,-,-,-,-	SNA	2	-
1-7	DA64-02262A	BUTTON-SELECT	W07,ABS,LG-121h	SNA	2	-
2	6002-001122	SCREW-TAPPING	FH,+,NO,1,M4,L14,ZPC(WHT),	SNA	2	G0412
3	-	-	-	-	-	-
4	0202-001463	SOLDER-WIRE	LFC2-W3.0,-,D3,99.79Sn/0.2Cu	SNA	4.5	0
5	DA67-01798A	CAP-HINGE HOLE	W07,ABS,T2,-,-,-,-	SNA	2	A0549
6	DA67-00429A	CAP-SCREW	BCD-133WB,PP,-,-,-,-,-	SNA	1	A0270
7	DA61-03685A	HINGE-UP	W07,SCP1,T4,-,-,-,-,PAINT ZN	SNA	1	M0488
8	DA66-00500A	SHAFT HINGE	W07,SM45C,-,-,-,-,M6	SNA	1	-
9	DA61-02049A	FIXER-SCREW	SSEC,ZN(WHT),BOLT,6*16	SNA	4	-
10	DA61-03688A	HINGE-MID	W07,SCP1,T4,-,-,-,-,PAINT Cr	SA	1	A0831
11	DA61-02049A	FIXER-SCREW	SSEC,ZN(WHT),BOLT,6*16	SNA	4	-
12	DA61-04391A	REINF CABI LEG	SBS,2007GVE,SCP1,T1.5,-,-	SNA	1	-
13	DA60-10124A	SCREW-HEX	HWH,-,-,M6,L16,ZPC(WHT,YEL),SW	SNA	3	T0072
14	DA61-00851A	LEG-FRONT	BCD-230FBN,POM+MSWR10,-,-,-,-	SA	2	Z1128
15	DA61-03689A	HINGE-LOW	W07,SCP1,T3,-,-,-,-,PAINT Zn	SNA	1	A0247
16	DA61-02972A	FIXER HINGE-LOW	CTA,FE1018,M5,L10,-,-	SNA	1	-
17	DA61-03673A	STOPPER HINGE-LOW	W07,POM,-,-,-,-,-	SNA	1	-

■ Parts List

NO.	CODE NO	English Name	Specification	SA/ SNA	Qty	SVC NO
18	DA90-04051A	ASSY BASE COMP	RL34,SGCC,T1	SA	1	Z1148
19	DA92-00280A	ASSY PCB MAIN	SEMI,W07,127*100mm	SA	1	A0952
20	DA63-03794D	COVER PCB-MAIN	W07,ABS,T2,5VA,ANTI-BURNI	SA	1	Z1143
21	6002-001122	SCREW-TAPPING	FH,+,NO,1,M4,L14,ZPC(WHT),	SNA	2	G0412
22	6002-001122	SCREW-TAPPING	FH,+,NO,1,M4,L14,ZPC(WHT),	SNA	2	G0412
23	DA63-01833A	GROMMET-DRAIN HOSE	BCD-290,SILICON,-,-,-	SNA	1	G0202
24	DA63-01834E	TRAY WATER-DRAIN	W07,2010GVE,PP,BLK	SA	1	Z1150
25	DA97-11908H	ASSY CASE JUNCTION	W07,electric,WITHOUT	SNA	1	A0249
25-1	6501-000124	CABLE TIE	DA-200,T1.2,W4.8,L203,NTR,NYLO	SNA	2	-
25-5	DA26-00036A	TRANS POWER	-,W07,-,-,240V,16V,0.35A,-,5	SA	1	Z1149
25-6	DA96-00795A	ASSY POWER CORD	one door,Europe,UCP2,250	SNA	1	Z1187
25-7	DA39-00497B	WIRE HARNESS-RELAY	W07,machine,without c	SNA	1	A0574
25-8	DA61-07593A	CASE JUNCTION	W07 NEW,ABS,NTR,5VA,big ca	SNA	1	A0250
26	6002-001122	SCREW-TAPPING	FH,+,NO,1,M4,L14,ZPC(WHT),	SNA	2	G0412
27	DA60-20008A	BOLT-HEX	S25C,M6,L42.6,WHITE,ZPC	SNA	4	A0564
28	DA34-10004A	RELAY PROTECTOR O/L	4TM189PHBYY-53,ST5.	SA	1	A0575
29	-	-	-	-	-	-
30	MSA4A1QL1B/CF1	COMPRESSOR	RSCR,11.1CC,220-220V,STATIC	SA	1	A0484
31	DA63-02617A	GROMMET COMP	USP05,EPDM,OD18.5,BLACK	SNA	4	Z1112
32	DA63-01363A	COVER RELAY	N300X,T2.1,V-0,5VA,W50,L62,B	SA	1	Z1032
33	2501-001186	C-OIL	5uF,400V,BK,43x55mm,15mm	SNA	1	Z1002
34	DA90-04071H	ASSY SCREW-CYCEL	W07,110V,DA90-04071E	SNA	1	-
35	DA62-01655A	PIPE-IMMERSION	W07-PJT,CU,-,4.76,-,T0.6,	SNA	1	Z1151
36	DA62-01469H	DRYER	W07,CU,OD19.0,T0.46,L110	SA	1	A0669
37	DA62-01209D	PIPE SUCTION-CONN	RL32,RL30,TP2(Y2),ID5.	SNA	1	Z1130