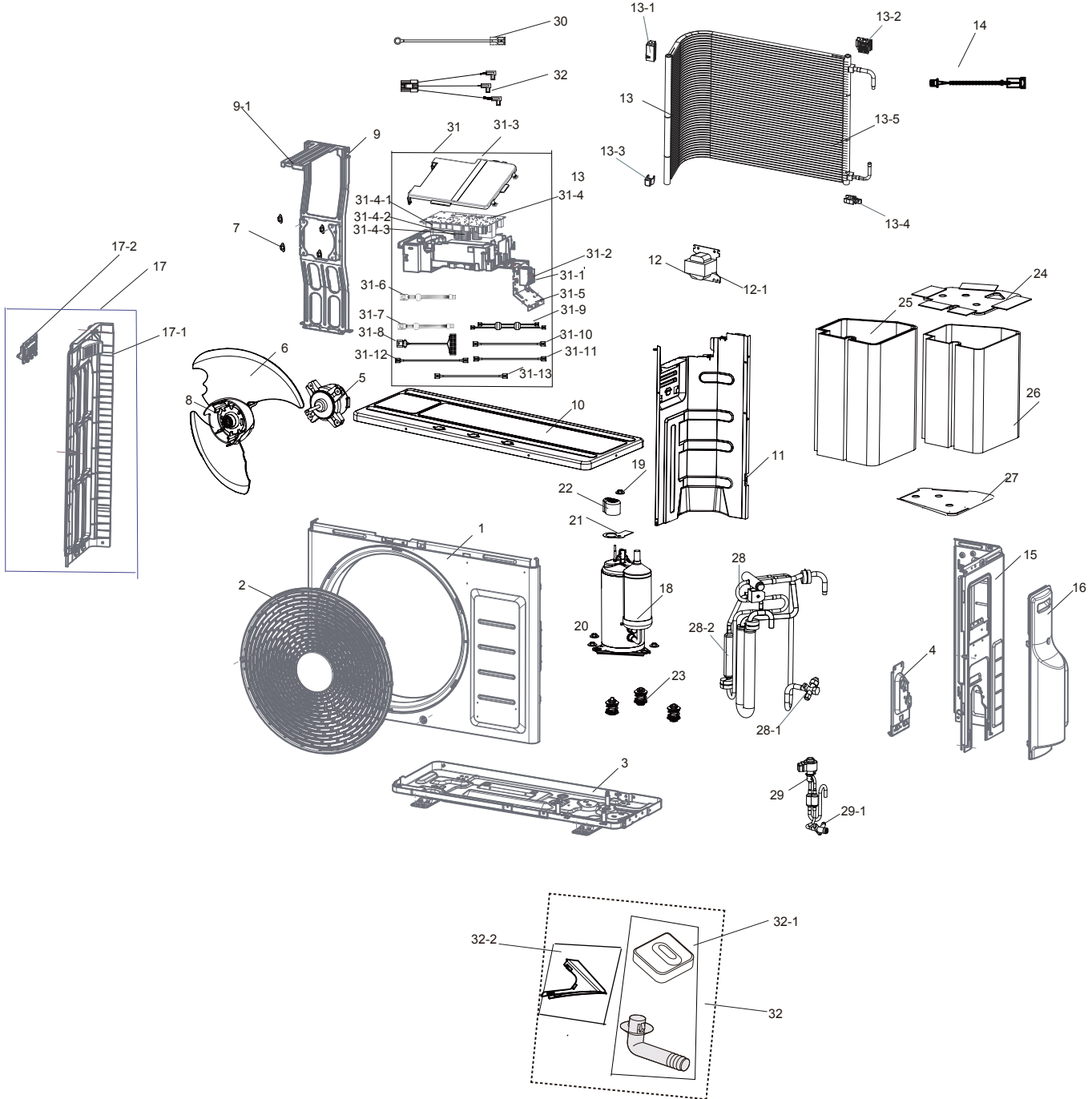


OUTDOOR UNIT

AR12JSFNCWKXET



## AR12JSFSBURXET

| No.    | Parts No       | Description                    | SPEC.                                     | Q'ty | SA/SNA |
|--------|----------------|--------------------------------|---|------|--------|
| 1      | DB90-07761D    | ASSY CABI FRONT                | AR09JSFSMWKXFA,NEW-WW1                    | 1    | SA     |
| 2      | DB63-03519A    | GUARD COND                     | F-XS-02,MSWR-SWRM,EARTH BROWN             | 1    | SA     |
| 3      | DB90-07750C    | ASSY BASE OUT                  | A3050 F-XS-02(WW1),COMP 44F               | 1    | SA     |
| 4      | DB61-04339C    | BRACKET-VALVE                  | GL-SAZCC,T1.0,200.9,-,SSEC                | 1    | SA     |
| 5      | DB31-00642A    | MOTOR BLDC FAN                 | SIC-67FV-F139-1(A),1000,310V,0.5,55       | 1    | SNA    |
| 6      | DB67-01407A    | FAN PROPELLER                  | PP+GF20%+PD20%                            | 1    | SA     |
| 7      | 6009-001001    | SCREW-SPECIAL                  | TH+,WT,M4,L10,ZPC(WHT),SWRCH18A           | 2    | SNA    |
| 8      | DB60-00437A    | FASTENER-NUT FLANGE            | SWRCH10A                                  | 1    | SA     |
| 9      | DB90-07834B    | ASSY BRACKET MOTOR             | AC035HCADKH/EU,SSEC                       | 1    | SA     |
| 9-1    | DB61-05815A    | BRACKET MOTOR                  | F-XS-02,GI-SGCC,T1.0,-                    | 1    | SNA    |
| 10     | DB90-07759A    | ASSY CABI TOP                  | AR12FSSDAWKXFA,SSEC                       | 1    | SA     |
| 11     | DB94-04147A    | ASSY PARTITION                 | AR12FSSDAWKXFA,SSEC                       | 1    | SA     |
| 12     | DB27-00041B    | COIL CHOKE                     | Forte,5mH,10%,120mOHM,.                   | 1    | SA     |
| 12-1   | 2301-001935    | C-FILM,LEAD                    | 22nF,20%,300V,BK,18x7x13.5mm              | 4    | SNA    |
| 13     | DB96-21020A    | ASSY COND BENDING              | AR12HSFSBURXET,NEW-WW1                    | 1    | SNA    |
| 13-1   | DB61-05861A    | HOLDER COND-LOW                | F-XS-01,PP,EARTH BROWN,-,TB52U            | 1    | SNA    |
| 13-2   | DB61-05862A    | HOLDER COND-LOW                | F-XS-01,PP,EARTH BROWN,-,TB52U,FMC LF     | 1    | SNA    |
| 13-3   | DB61-05999A    | HOLDER COND-UP                 | F-XS-01,PP,EARTH BROWN,-,TB52U,FMC LF     | 1    | SNA    |
| 13-4   | DB61-06170A    | HOLDER COND-UP                 | F-XS-02,PP,EARTH BROWN,-,TB52U            | 1    | SNA    |
| 13-5   | DB96-21040A    | ASSY COND SUB                  | NEW 6-TURN WW,HYBRID COATING              | 1    | SNA    |
| 14     | DB95-05164A    | ASSY THERMISTOR OUT            | 103AT,6P,600/280/760,UL1007,24,6          | 1    | SA     |
| 15     | DB90-07736A    | ASSY CABI SIDE-RIGHT           | AR12FSSDAWKXFA,SSEC                       | 1    | SA     |
| 16     | DB90-07201F    | ASSY COVER CONTROL             | AQV09PSCXEUR,SSEC,ASSY                    | 1    | SA     |
| 17     | DB90-08040A    | ASSY CABI SIDE-LEFT            | N-WW1,A3050,F-XS-02,GI-SGCC               | 1    | SA     |
| 17-1   | DB64-03082A    | CABINET SIDE-LEFT              | A3050,F-XS-02,GI-SGCC,T0.6,-,SSEC         | 1    | SNA    |
| 17-2   | DB64-00992C    | HANDLE-LF                      | PP weatherability,SSEC                    | 1    | SA     |
| 18     | UG9A090LNAERSS | RCP,R410A                      | -   | 1    | -      |
| 19     | 6021-001142    | NUT-HEXAGON FLANGE             | M5,ZPC(WHT),SWRCH10A,SERRATION            | 1    | SA     |
| 20     | DB60-30028A    | NUT-FLANGE                     | HWH,M8,ZPC(WHT),SWRCH18A,                 | 3    | SA     |
| 21     | DB63-00817B    | GASKET                         | A/C model,SIR,T0.8,26.0,L80,A/C model use | 1    | SA     |
| 22     | DB63-02310A    | COVER TERMINAL                 | SABIC N1250,2.5,-,BLACK,N1250,no OLP      | 1    | SA     |
| 23     | DB63-03386A    | GROMMET ISOLATOR               | NR,33,11.5,34,BLACK                       | 3    | SA     |
| 24     | DB63-03394A    | FELT-COMP TOP OUT              | AR12FSFNAWKXFA,FELT+PVC,T5+T1.6,195,195   | 1    | SA     |
| 25     | DB63-02320A    | FELT-COMP OUT                  | AR09HSFSAWKXET,FELT+PVC,T5+T1.5,645,310   | 1    | SA     |
| 26     | DB63-02621A    | FELT-COMP SIDE                 | KFR-25W/BPS,PVC+FELT,T5+T1.5+T5,267,531   | 1    | SNA    |
| 27     | DB63-02845A    | FELT-COMP BASE                 | WW1 INV,FELT,T8                           | 1    | SA     |
| 28     | DB96-19333C    | ASSY TUBE 4WAY                 | AR12JSFSBURNET,AR5000S                    | 1    | SA     |
| 28-1   | DB62-02284A    | VALVE SERVICE-SPINDLE          | .3/8",R410A, FLARE                        | 1    | SA     |
| 28-2   | DB96-06998F    | ASSY-SOLENOID COIL             | WW3,SSEC                                  | 1    | SA     |
| 29     | DB96-18837A    | ASSY TUBE EEV                  | AR12FSSDAWKXFA,SSEC                       | 1    | SA     |
| 29-1   | DB62-04266A    | VALVE EXPAN                    | SUS,1.4,500                               | 1    | SA     |
| 30     | DB93-14275A    | ASSY CONNECTOR WIRE-POWER      | 2,1015,22,BRN,YH396-03VR/BLU,             | 1    | SA     |
| 31     | DB93-14201C    | ASSY CONTROL OUT               | HP,INV,9K,-,-,-,-,-,-,-,-,-,-             | 1    | SNA    |
| 31-1   | DB65-00274A    | TERMINAL BLOCK                 | TERMINAL BLOCK,2-TAB 2-SCREW,B Type       | 1    | SA     |
| 31-2   | DB65-00298B    | TERMINAL BLOCK                 | 11R RAC-INVERTER,P.B.T + G30              | 1    | SA     |
| 31-3   | DB90-07833B    | ASSY CASE CONTROL              | AR09HSSDAWKXEU,A3050,SSEC                 | 1    | SA     |
| 31-4   | DB92-02862A    | ASSY MODULE                    | STD #4 SMPS,A3050,16W                     | 1    | SA     |
| 31-4-1 | DB27-00097A    | COIL CHOKE                     | CC-35-15SS,SI,3.5mH,+50~-30%              | 1    | SNA    |
| 31-4-2 | DB94-04084A    | ASSY PCB AUTO                  | OUTDOOR,A3050,197*142,PF#2,DB92-02866A    | 1    | SNA    |
| 31-4-3 | DB94-04085A    | ASSY PCB SMD                   | OUTDOOR,A3050,197*142,PF#2,DB92-02866A    | 1    | SNA    |
| 31-5   | DB61-05836A    | PLATE CONTROL                  | F-XS-02,GI-SGCC,T0.6,-                    | 1    | SNA    |
| 31-6   | DB93-12121A    | ASSY CONNECTOR WIRE-EARTH WIRE | 1,1015,18,YEL/GRN,173724-1                | 1    | SA     |
| 31-7   | DB93-11244A    | ASSY CONNECTOR WIRE            | 3,1331,16,RED,MG615042/WHT                | 1    | SA     |
| 31-8   | DB93-09495J    | ASSY CONNECTOR WIRE            | 2,1015,14,BRN,175022-1,                   | 1    | SA     |
| 31-9   | DB93-14285A    | ASSY CONNECTOR WIRE-COMM       | 2,1007,22,RED,YH396-02AVR/RED             | 1    | SA     |
| 31-10  | DB93-09493C    | ASSY CONNECTOR WIRE            | 2,1015,16,WHT,DBT081-02P/WHT              | 1    | SA     |
| 31-11  | DB93-09497E    | ASSY CONNECTOR WIRE            | 3,1015,16,RED,MG625040/WHT                | 1    | SA     |
| 31-12  | DB93-14276A    | ASSY CONNECTOR WIRE-DC SIGNAL  | 3,1007,22,BLK,SMH250-03L/RED              | 1    | SA     |
| 31-13  | DB93-14277A    | ASSY CONNECTOR WIRE-DC SIGNAL  | 3,1007,22,BLK,SMH250-03L/BLU              | 1    | SA     |
| 32     | DB97-02066C    | ASSY ACCESSORY                 | HP,NO,18000,NO.-,N,SH18AW6X               | 1    | SA     |
| 32-1   | DB67-20011A    | DRAIN-PLUG OUT                 | ASH-1814ER,PP,WHITE                       | 1    | SA     |
| 32-2   | DB73-20134A    | RUBBER-LEG                     | V2-MD,NR,55                               | 4    | SA     |