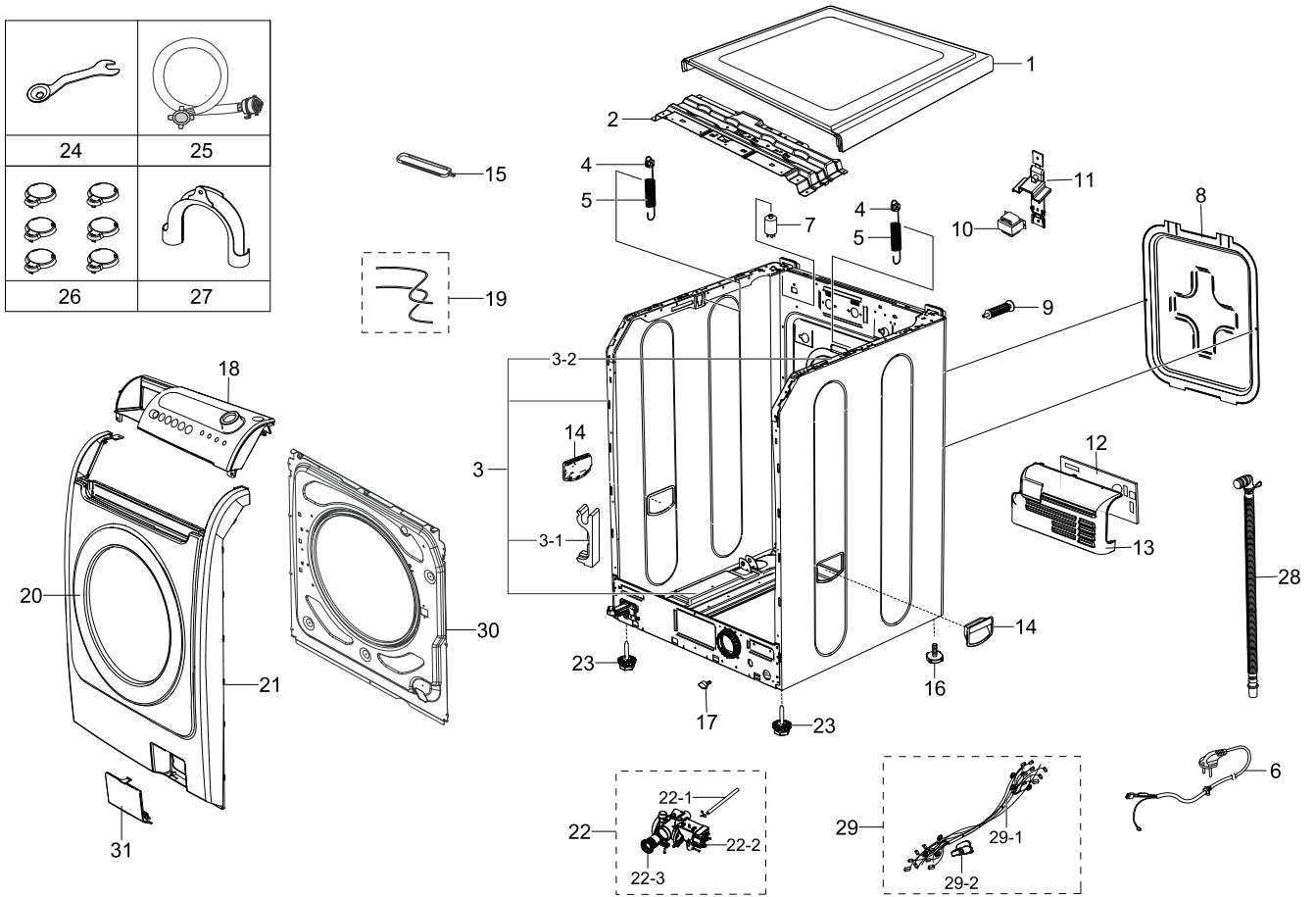


1. Title

Exploded View



Parts List

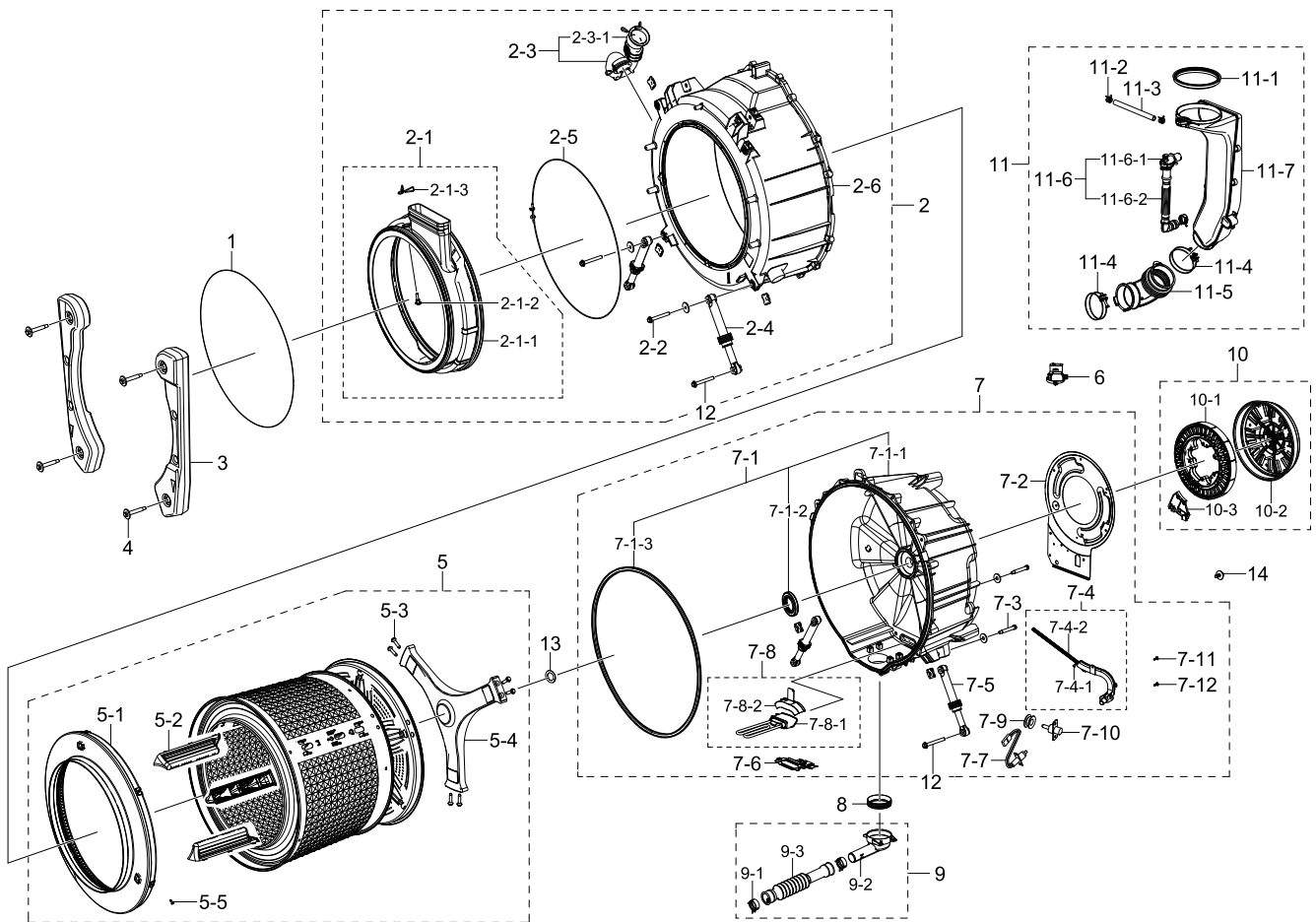
No.	Lvl.	Loc.	Material Code	Description & Specification	SNA	Qty.
1	2	WF0003	DC97-08768R	ASSY COVER TOP; SEW-HKR127ATS,-,-,-,,-, WHT	SA	1
2	2	WF0008	DC97-09346A	ASSY FRAME PLATE(U); K4-PJT,-,GI+SPONGE,-	SA	1
3	2	WF0004	DC97-14677V	ASSY FRAME; EURO-K4,BO,WD7101CKS/XEC,FOR	SA	1
3-1	3	WH5353	DC61-02095A	GUIDE HOSE; VENUS,PP,WHT,EPP	SA	1
3-2	3	WP0136	DC61-01461A	BRACKET-SPRING(R); SEW-6HR124AT,GI-SGCC,T	SA	1
4	2	WI0266	DC61-02065A	GUIDE SPRING; WF448AAG/XXA,POM,T4,W24,L36	SA	2
5	2	WF0102	DC61-01413C	SPRING ETC-HANGER; SWC,CD4.2,ID21.6,OD30,	SA	2
6	2	WE0054	DC96-00146A	CBF-POWER CORD; AT,EUROPE,EU3F,Gray,1500,	SC	1

Exploded Views and Parts List

No.	Lvl.	Loc.	Material Code	Description & Specification	SNA	Qty.
7	2	WE0076	DC29-00015E	FILTER EMI; LFT-215K,500Khz,VDE, KS,3mH M	SA	1
8	2	WF0042	DC63-00522A	COVER BACK; GW-PJT,GI,T0.35,-,-	SA	1
9	2	WJ5016	DC97-10098A	ASSY FIXER TUB; -,SEW-6HR129AT,M8*L114.5,	SA	4
10	2	WE0145	DC26-00009D	COIL HARMONIC; 8.5mH,15%,SILICON STEEL	SA	1
11	2	WP0161	DC61-01455A	BRACKET REACTOR; Q1657,PP,T3.0,5VA GRADE	SNA	1
12	2	WZ0010	DC92-00237K	ASSY PCB MAIN; P171,EURO-K4/SHAFT,WD7101C	SA	1
13	2	WI0016	DC92-00279A	ASSY COVER PCB; K4/VENUS/MINERVA-PJT,N	SA	1
14	2	WI5007	DC97-15854A	ASSY HANDLE; ACE,DRUM WASHER,WHITE	SA	2
15	2	WJ0041	DC66-00423A	JOINT DIAPHRAGM; K4-PJT,EGI,T1.0	SNA	1
16	2		DC97-00920S	ASSY LEG; WM PW01 FWM MODEL,K4	SA	2
17	2	WI0107	DC61-10673A	CAP DRAIN; PP,-,-,CNTK-P-101,INNER GRAY	SNA	1
18	2	WC0016	DC97-15462B	ASSY PANEL CONTROL; EURO-K4(NEW JOG),WD71	SA	1
19	2		DC66-10003B	WIRE VINYL; SEW-100JL,PVC,,,,,,,,,T2.0*L1	SNA	2
20	2	WD0003	DC97-08629V	ASSY DOOR; NEW-K4,-,-,-,-,IMPERIAL-SIL/NO	SNA	1
21	2	WI0013	DC97-10194B	ASSY COVER FRONT; K4-PJT,-,-,-,-,WHT-SIL	SA	1
22	2	WU5135	DC97-15412E	ASSY PUMP DRAIN; K4,BONANZA,H12000/HAC,DR	SA	1
22-1	3	WH5222	DC67-00244D	HOSE DRAIN; EPDM,ID6,OD11,L270,BLK	SA	1
22-2	3	WU5008	DC31-00030A	PUMP-DRAIN; B20-6 / S3001,220V-240V,50Hz,	SA	1
22-3	3	WA0006	DC97-14976A	ASSY FILTER; PURPLE-PJT,ASSY-FILTER,-,-	SA	1
23	2		DC97-14293D	ASSY LEG; WM PW01 FWM MODEL,K4	SA	2
24	2	WJ5077	DC60-40146A	BOLT SPANER; CR,T2.5	SA	1
25	2	WH5290	DC62-10289B	HOSE-WATER(C); WIP4013SRW,PVC+NYLON,ID10.	SA	1
26	2	WA5003	DC61-10688A	CAP-FIXER; PP,-,-,CNTK-P-101,-,GRAY	SA	6
27	2	WH5379	DC62-10278A	HOSE HANGER; PUMP MODEL,PP,BLACK	SA	1
28	2	WH5083	DC97-02250F	ASSY HOSE DRAIN(O); B1415J(NO-SPONGE),TPE	SA	1
29	2	WW0026	DC96-01516F	ASSY M.GUIDE WIRE HARNESS; EURO-K4,WD7101	SA	1
29-1	3	WW5056	DC96-01495G	ASSY M. WIRE HARNESS; EURO-K4,WD7101CKC/X	SA	1
29-2	3	WI0278	DC61-01896A	GUIDE-WIRE; VENUS,PP,T2.5,HF44N,NTR	SA	1
30	2	WF0082	DC61-01368A	FRAME-FRONT; K4-PJT,GI-SGCC,NON,T0.8	SA	1
31	2	WI0167	DC63-00604A	COVER-FILTER; SEW-6HR127ATG,ABS,WHT	SA	1

2. Assy Tub&Drum

Exploded View



Parts List

No.	Lvl.	Loc.	Material Code	Description & Specification	SNA	Qty.
1	2	WJ0008	DC97-04973A	ASSY WIRE DIAPHRAGM; TS85-PJT,-,-,STS304(SA	1
2	2	WT0008	DC97-08637N	ASSY TUB FRONT; MERCURY-pjt,SEW-HTR124RT,	SNA	1
2-1	3	WJ0004	DC97-08772B	ASSY DIAPHRAGM; SEW-6HR122A,NO STEAM,-,-,	SA	1
2-1-1	4	WD0067	DC64-00922A	DOOR-DIAPHRAGM; K4-PJT,EPDM,T1.5,-,-,-,GR	SNA	1
2-1-2	4	WJ0047	DC62-00229A	NOZZLE DIAPHRAGM; SEW-6HR122A,PP,GRAY	SNA	1
2-1-3	4	WP0165	DC61-70029C	CLIP RING; SEW-HW125,HSWR,WHITE	SA	1
2-2	3		DC60-00113A	BOLT HEX; SM10C,L66,BOLT+WASHER	SA	2
2-3	3	WH5021	DC97-13922A	ASSY HOSE DRAWER TUB; SEW-HTR122L,THEMIS-	SA	1

Exploded Views and Parts List

No.	Lvl.	Loc.	Material Code	Description & Specification	SNA	Qty.
2-3-1	4	WH5218	DC67-00274A	HOSE-DRAWER; SEW-HTR122L,EPDM,ID44,OD48,T	SA	1
2-4	3	WB5199	DC66-00343F	DAMPER SHOCK; GW-PJT,STEEL+PP+RUBBER,WHIT	SA	2
2-5	3	WJ0002	DC97-04981C	ASSY CLAMP DIAPHRAGM; K4-PJT,L1400,-,-,-	SA	1
2-6	3	WT0004	DC97-09140E	ASSY SEMI TUB FRONT; MERCURY-pjt,SEW-HTR1	SA	1
3	2	WT5102	DC67-00189C	WEIGHT BALANCER; -,CONCRETE,-,-,-,IRON-YE	SC	2
4	2	WJ5042	DC97-02412A	ASSY BOLT; MOTOR/ M8*L62,,,,,,	SA	4
5	2	WG0004	DC97-13108H	ASSY DRUM; MERCURY	SA	1
5-1	3	WT5004	DC97-14561A	ASSY BALANCER; K4/BONANZA/VENUS,NEW-LIQUI	SA	1
5-2	3	WG0055	DC66-00304A	DRUM LIFTER; TS85-PJT,PP,TI42,GRY	SA	3
5-3	3	WJ5081	DC60-40137A	BOLT HEX; MARS-PJT,STS430,M8,P1.25,L30,HE	SA	6
5-4	3	WS0006	DC97-12660A	ASSY FLANGE SHAFT; -,Extreme/10Kg,-,-,-,-	SA	1
5-5	3	WX0458	6002-001186	SCREW-TAPPING; TH,+,-,2,M5.5,L16,PASS,STS	SA	9
6	2	WE0125	DC97-03716C	SENSOR PRESSURE; Air,5,-,400mmH20,-	SA	1
7	2	WT0007	DC97-08638Q	ASSY TUB BACK; MERCURY,-,COMBI,-,-,-	SNA	1
7-1	3	WT0003	DC97-10737K	ASSY SEMI TUB BACK; MERCURY,SVC(COMBI),-	SA	1
7-1-1	4	WT0003	DC97-09141E	ASSY SEMI TUB BACK; MERCURY-PJT,-,COMBI,-	SNA	1
7-1-2	4	WS0119	DC62-00223A	SEAL OIL; GW-PJT,EPDM,BLK,-,W77.55,L12,63	SA	1
7-1-3	4	WO0055	DC69-00633A	SEAL TUB; TS85-PJT,EPDM,D8,BLK,L1865	SNA	1
7-2	3	WI0188	DC63-00634A	COVER-MOTOR; SEW-6HR127A,GI-SGCC,T1.0,PCM	SNA	1
7-3	3		DC60-00113A	BOLT HEX; SM10C,L66,BOLT+WASHER	SA	2
7-4	3	WE5006	DC97-08773B	ASSY HOSE PRESSURE; VENUS-PJT,-,-,-,-,-	SA	1
7-4-1	4	WP0165	DC61-70029C	CLIP RING; SEW-HW125,HSWR,WHITE	SA	1
7-4-2	4	WH5227	DC67-00230A	HOSE WATER; SEW-6HR128ATC,TPE,ID4.5,OD8.0	SA	1
7-5	3	WB5199	DC66-00343F	DAMPER SHOCK; GW-PJT,STEEL+PP+RUBBER,WHIT	SA	2
7-6	3	WP0099	DC61-01499A	BRACKET HEATER; K4,STAINLESS-STS430,T0.5m	SA	1
7-7	3	WE5044	DC90-10128N	ASSY THERMISTOR; WASHER,5V,-20~125125	SA	1
7-8	3	WE0010	DC96-01445A	ASSY HEATER; 125/250V	SNA	1
7-8-1	4	WE0092	DC47-00006Q	HEATER WASH; AC220V,2000W,SUS316L,560mm,N	SA	1
7-8-2	4	WE0060	DC63-00860A	COVER HEATER; SEW-HVR149ATA,ABS+PC,T3.0,V	SA	1

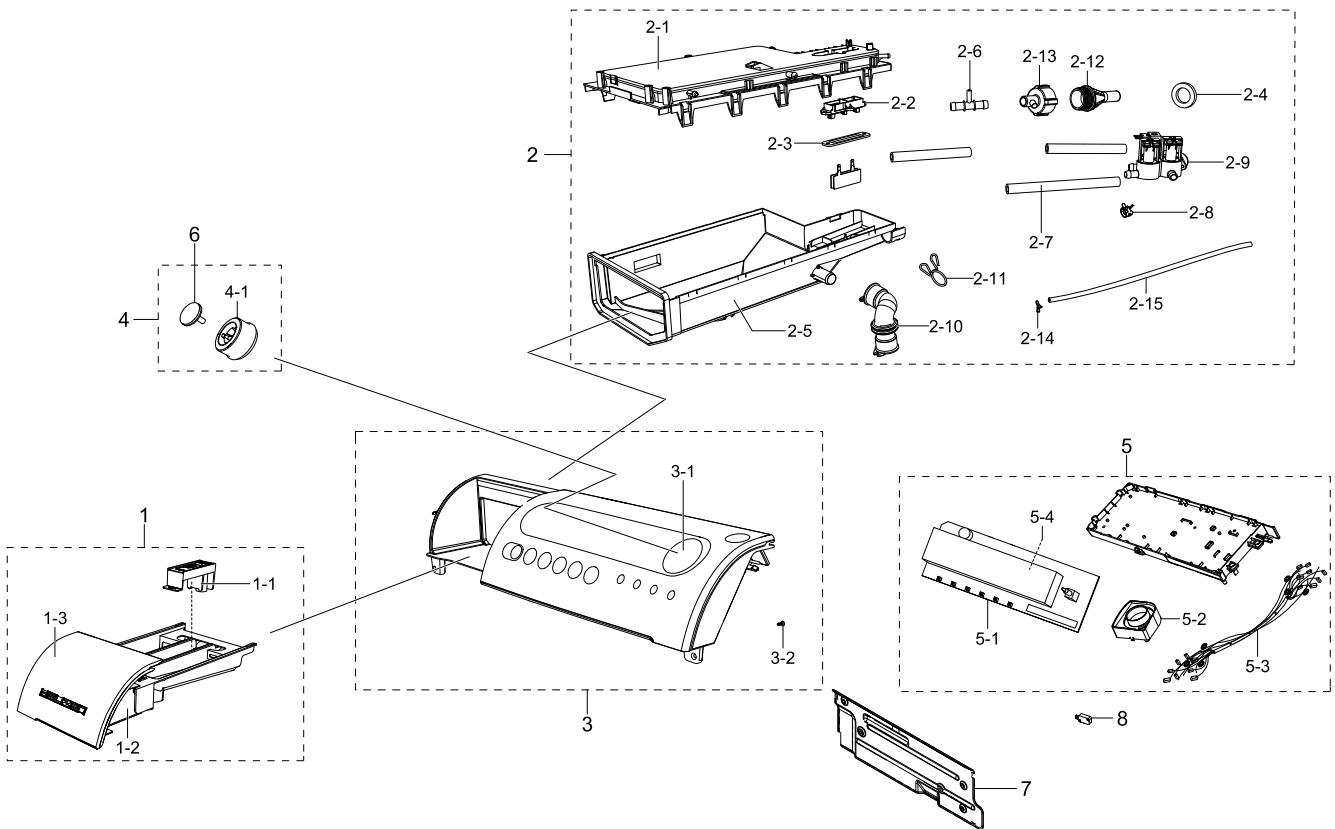
No.	Lvl.	Loc.	Material Code	Description & Specification	SNA	Qty.
7-9	3	WE0115	DC69-00824A	PACKING-THERMISTOR; GW-PJT,EPDM,-,-,W17,H	SNA	1
7-10	3	WE5178	DC32-00010A	THERMISTOR; -,11982OHM AT 25,-,55~155	SA	1
7-11	3	WX0434	6002-000471	SCREW-TAPPING; TH,+,-,1,M4,L12,PASS,STS30	SA	2
7-12	3	WX0622	6002-001306	SCREW-TAPPING; TH,+,-,1,M4,L14,ZPC(WHT),SWR	SA	1
8	2	WT0031	DC62-00211A	SEAL D.V; SEW-6HR127A,EPDM,BLK,W78.4,L18.	SA	1
9	2	WU0004	DC97-11967B	ASSY CASE D.V; VENUS2-BUBBLE,SEW-HAR147RU	SNA	1
9-1	3	WJ5076	DC61-00219C	CLAMPER HOSE; -,SK5,WLSL1100A,ID35,-,ZPC2	SA	1
9-2	3	WU0022	DC61-01669A	CASE D.V; K4/BONANZA,PP,-,-,-,NTR,PUMP/BJ	SNA	1
9-3	3	WH0013	DC67-00350A	HOSE PUMP; SEW-HAR149AUA,EPDM,-,-,-,-,BLK	SA	1
10	2	WS0004	DC96-01218B	ASSY DD BLDC MOTOR; DON1300,NEW SERRATION	SNA	1
10-1	3	WS0086	DC31-00074A	MOTOR BLDC-ASSY STATOR; DON1300,0~1200,-,	SA	1
10-2	3	WS0085	DC31-00075B	MOTOR BLDC-ASSY ROTOR; DON1300-New Serrat	SA	1
10-3	3	WE0111	DC31-00076A	MOTOR BLDC-ASSY HALL SENSOR; DON700, 800,	SC	1
11	2	WY0006	DC97-12839B	ASSY DUCT CONDENSER; SEW-HVR149ATA,CONDEN	SA	1
11-1	3	WO0047	DC69-01053A	SEAL-HOUSING; SEW-HFR167AR,EPDM,BLK	SNA	1
11-2	3		DC65-00008A	CLAMPER HOSE; SEW-DR605,SK5,-,ID14.2/T0.9	SNA	8
11-3	3	WH5267	DC67-00051B	HOSE DRAWER; Q1636GW/XEU,EPDM,ID9.0,OD14.	SA	1
11-4	3	WJ5057	DC65-00014A	CLAMPER HOSE-JOINT; GW-PJT,HSWR-SWRH,-,ZP	SA	2
11-5	3	WH5219	DC67-00270A	HOSE-CONDENSER; SEW-HVR149ATA,EPDM,ID75,O	SA	1
11-6	3	WH5026	DC97-12986A	ASSY HOSE DRAIN(I); SEW-HVR149ATA,BLOW-SP	SA	1
11-6-1	4	WI0114	DC67-00271A	CAP HOSE WAY; SEW-HVR149ATA,PP,T2.0,W23,L	SC	1
11-6-2	4	WH0017	DC63-10003D	ABSORBER SPONGE; TS85-PJT,KIMOJI,-,-,ID26	SNA	2
11-7	3	WY0025	DC97-14179A	ASSY S.DUCT CONDENSER; VENUS,DUCT-CONDENS	SA	1
12	2	WX0558	6011-001644	BOLT-HEX; M10,L35,ZPC2,SM10C,DAMPER	SA	4

Exploded Views and Parts List

No.	Lvl.	Loc.	Material Code	Description & Specification	SNA	Qty.
13	2	WS0131	DC60-00069A	SPACER; WR-HA139WA,STS304,ID30.2,SILVER,T	SNA	1
14	2	WJ5110	DC97-06080C	ASSY BOLT; BOLT+WASHER(OD38),,,,,,	SA	1

3. Assy Panel Control&Drawer

Exploded View



Parts List

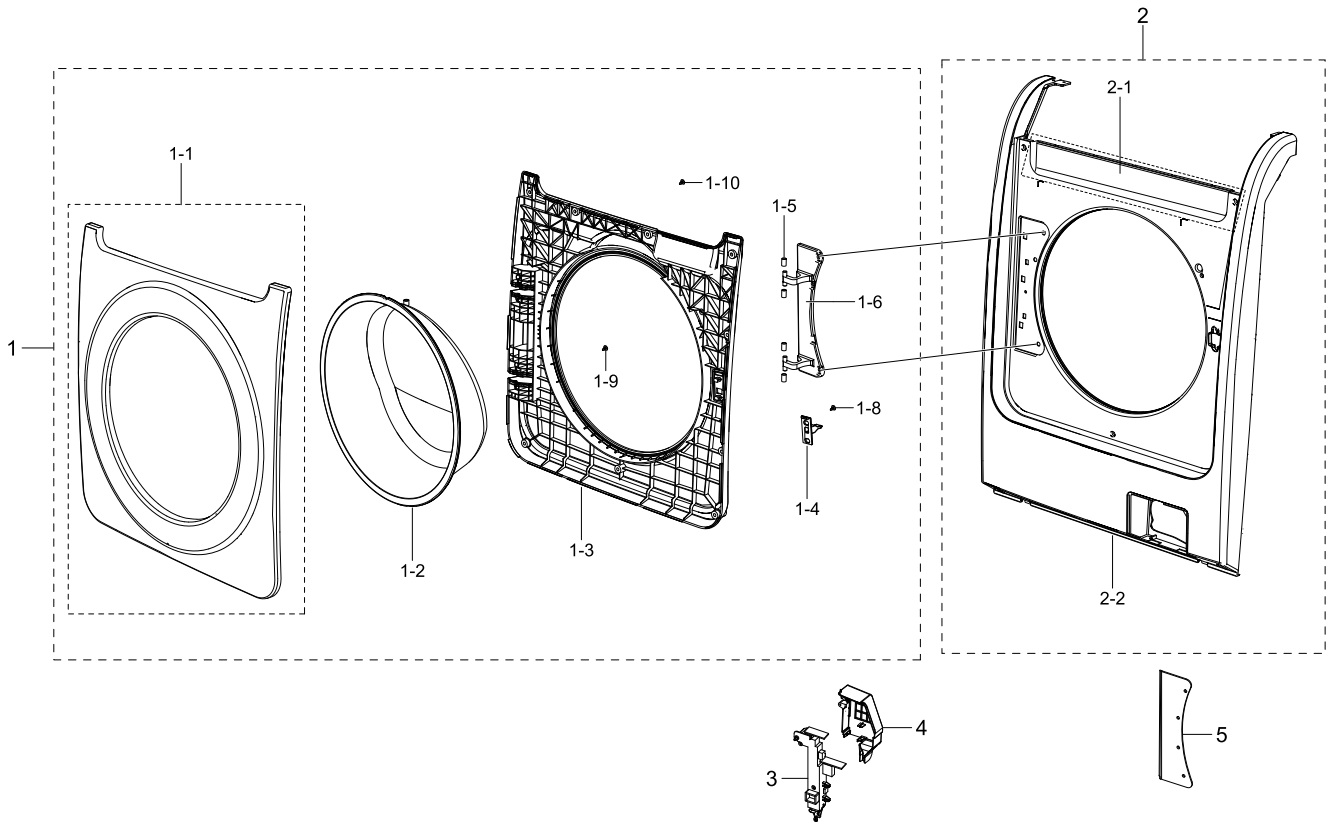
No.	Lvl.	Loc.	Material Code	Description & Specification	SNA	Qty.
1	2	WR0005	DC97-08639J	ASSY DRAWER; WD6122CKS,K4/MPERIALI-SIL,-,-	SA	1
1-1	3	WI0125	DC67-00167A	CAP-RINSE; SEW-6HR127A,PP,-,-,-,-,-	SA	1
1-2	3	WR0038	DC64-00932B	HANDLE-DRAWER; SEW-6HR127ATS,ABS,-,-,-,-,-	SA	1
1-3	3	WC0123	DC64-00930J	PANEL-DRAWER; WD6122CKS,PC-ABS,-,-,-,-,-,IM	SNA	1
2	2	WR0008	DC97-15355K	ASSY HOUSING DRAWER; MERCURY,WD7101CKW/XE	SA	1
2-1	3	WR0012	DC97-10661A	ASSY S.HOUSING DRAWER; K4-PJT,SVC,-,-,-,-,-	SA	1
2-2	3	WI0112	DC67-00113B	CAP-GUIDE WATER; SEW-6HR128ATC,ABS,-,-,-,-,-	SNA	1
2-3	3	WI0316	DC62-00186B	SEAL-CAP GUIDE; K4-PJT,SILICON,NTR,T2.5,W	SA	1
2-4	3	WT0033	DC62-40167A	SEAL WATER; PE FOAM,V0,PI40XPI25XT5	SA	1
2-5	3	WR0039	DC61-01388B	HOUSING-DRAWER(L); MERCURY-PJT(K4),PP,NAT	SA	1

Exploded Views and Parts List

No.	Lvl.	Loc.	Material Code	Description & Specification	SNA	Qty.
2-6	3	WY0091	DC62-00176A	PIPE CONNECTOR; SEW-HW125,PP,WHITE,HB,T-P	SA	1
2-7	3	WH5267	DC67-00051B	HOSE DRAWER; Q1636GW/XEU,EPDM,ID9.0,OD14.	SA	1
2-8	3		DC65-00008A	CLAMPER HOSE; SEW-DR605,SK5,-,ID14.2/T0.9	SNA	8
2-9	3	WE5125	DC62-00233B	VALVE WATER; AC220-240V,Bracket,1in 3out,	SA	1
2-10	3	WH5205	DC67-00363A	HOSE-AIR; SEW-HTR124RT,EPDM,ID29,OD34,T2.	SA	1
2-11	3	WJ0027	DC65-60118Q	CLIP RING; MERCURY-PJT,HSWR-SWRH,T3..0,ID	SA	1
2-12	3	WL0011	DC62-00182A	NOZZLE CONNECTOR-UP; POM,NATURAL,TS-2 PJT	SA	1
2-13	3	WL0010	DC62-00183A	NOZZLE CONNECTOR-LOW; POM,NATURAL	SA	1
2-14	3	WP0165	DC61-70029C	CLIP RING; SEW-HW125,HSWR,WHITE	SA	2
2-15	3	WH5261	DC67-00089A	HOSE WATER; SEW-HBR125ATC,TPE,ID5,OD9,T2,	SA	1
3	2	WC0016	DC97-15462B	ASSY PANEL CONTROL; EURO-K4(NEW JOG),WD71	SA	1
3-1	3	WC0140	DC64-01517A	WINDOW-PANEL; NEW K4-PJT,ABS,-,-,-,TRAN	SA	1
3-2	3	WX0615	6002-000630	SCREW-TAPPING; PH,+ ,NO,2S,M3,L8,ZPC(WHT),	SA	2
4	2	WC0009	DC97-14309A	ASSY KNOB ENCODER; SEW-HKR148ATH,-,CR+INL	SA	1
4-1	3	WC0101	DC64-01485A	KNOB-ENCODER; NEW K4,ABS,-,-,-,WHT,-,-	SA	1
5	2	WZ0025	DC92-00101A	ASSY PCB SUB; P171,EURO K4 SPAIN,BASIC MF	SA	1
5-1	3	WC0052	DC64-00959B	BUTTON-PUSH(D); SEW-6HR125A,ABS,-,-,-,NO	SA	1
5-2	3	WP0088	DC61-01409A	BRACKET-ENCODER; SEW-6HR127A,ABS,-,-,-,-,	SA	1
5-3	3	WW0018	DC96-00929D	ASSY WIRE HARNESS; BONANZA,SEW-HBW144T,-,	SA	1
5-4	3	WE0118	DC13-00214A	IC-PLD MICOM; TMP86CH47-6PG7/K4Sub,44,4.5	SA	1
6	2	WC0044	DC64-01487F	BUTTON-ENCODER; WD7122CKS,ABS,-,-,IMPERIA	SA	1
7	2		DC61-01469A	BRACKET-PCB(S); SEW-6HR127A,GI,T0.5,-,-,-	SNA	1
8	2	WE0136	3405-001067	SWITCH-MICRO; 125/250VAC,15A/0.1A,200GF,S	SNA	1

4. Assy Frame Front&Door

Exploded View



Parts List

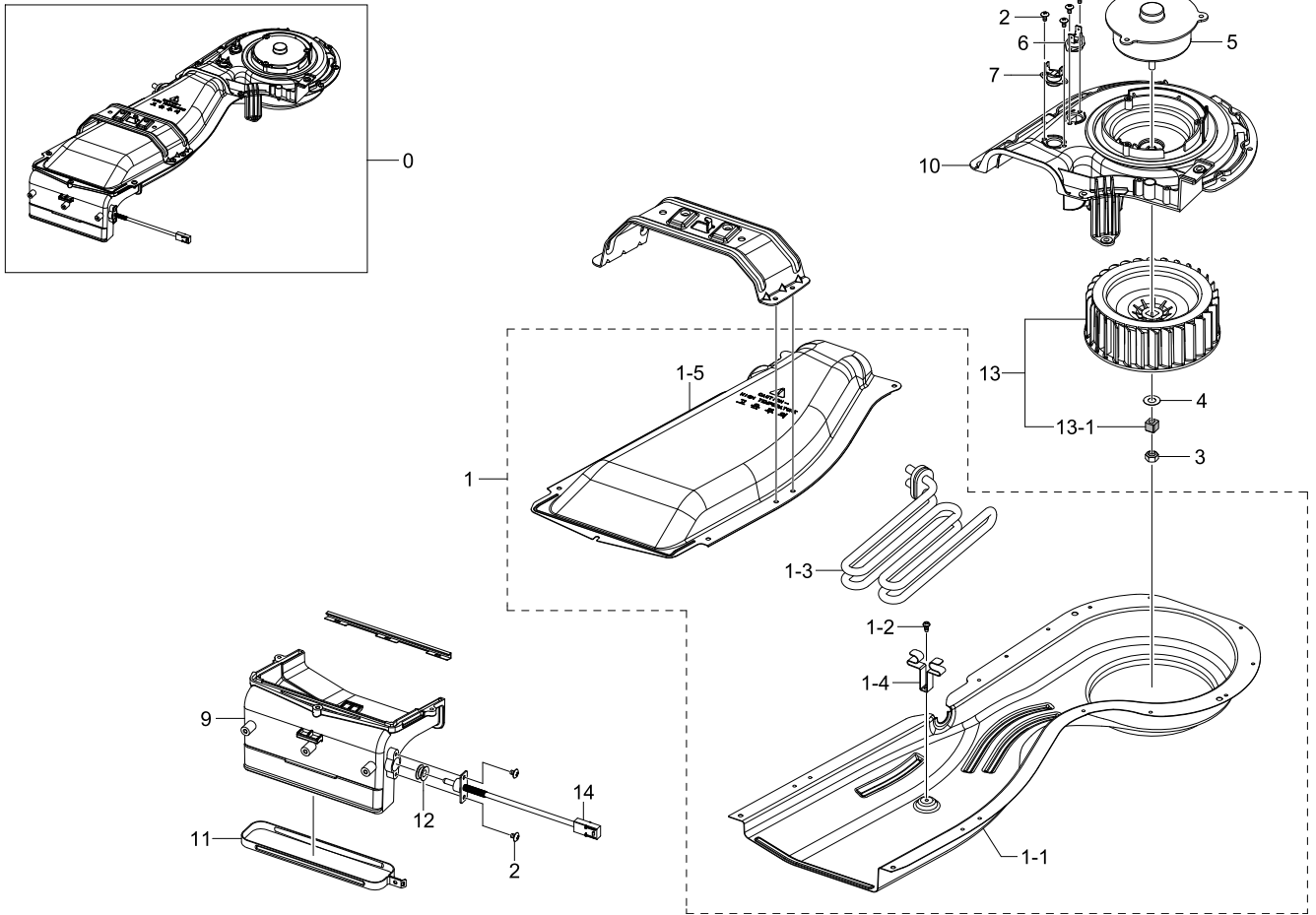
No.	Lvl.	Loc.	Material Code	Description & Specification	SNA	Qty.
1	2	WD0003	DC97-08629V	ASSY DOOR; NEW-K4,-,-,-,IMPERIAL-SIL/NO	SNA	1
1-1	3	WD0001	DC97-10738Q	ASSY COVER DOOR; EURO K4,WD7101SKS,-,-,-	SA	1
1-2	3	WD0070	DC64-00504A	DOOR GLASS; TS85-PJT,GLASS,N.TEMP	SC	1
1-3	3	WD0105	DC61-01390B	HOLDER-GLASS; SEW-6HR127AT,PP,-,-,-,-,GRY	SA	1
1-4	3	WD0114	DC66-00375A	LEVER DOOR; 10KG DRUM,ZNDC,T2.5,-,-,-,-,N	SC	1
1-5	3	WD0090	DC61-00891A	GUIDE HINGE; HAUZEN(DOM),POM,NTR(WHT),HIN	SA	4
1-6	3	WD0096	DC61-01393A	HINGE-DOOR; SEW-HKR148ATH,ALDC, SPRAY,-,-	SA	1
1-8	3	WX0465	6002-001279	SCREW-TAPPING; PWH,+,-,1,M4,L12,PASS,STS430	SA	2
1-9	3	WX0436	6002-000475	SCREW-TAPPING; TH,+,-,1,M4,L20,PASS,STS30	SA	4
1-10	3	WX0460	6002-001204	SCREW-TAPPING; TH,+,-,1,M4,L16,PASS,STS43	SA	9
2	2	WI0013	DC97-10194B	ASSY COVER FRONT; K4-PJT,-,-,-,-,WHT-SIL	SA	1

Exploded Views and Parts List

No.	Lvl.	Loc.	Material Code	Description & Specification	SNA	Qty.
2-1	3	WF0052	DC64-01085B	DECORATION-COVER FRONT; SEW-6HR127ATS,ABS	SA	1
2-2	3	WI0171	DC63-00602A	COVER-FRONT; SEW-6HR127ATS,ABS,-,-,-,-,-	SA	1
3	2	WE0067	DC64-00519A	SWITCH DOOR LOCK; AC250V,16,SOLNOID, DOOR	SA	1
4	2		DC97-10529A	ASSY COVER DOOR SWITCH; K4-PJT,-,-,-,-,-	SNA	1
5	2	WP0101	DC61-01533A	BRACKET-HINGE; SEW-6HR128ATC,GI-SGCC,T2.3	SNA	1

5. Assy Duct Scroll

Exploded View



Parts List


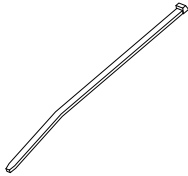





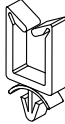
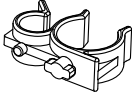

No.	Lvl.	Loc.	Material Code	Description & Specification	SNA	Qty.
0	2	WY0016	DC93-00011B	ASSY DUCT SCROLL; 5G-DUCT,THEMIS,GENERAL-	SA	1
1	3	WY0019	DC93-00012A	ASSY DUCT SCROLL-SUB; 5G-DUCT,WM PW01 FWM	SNA	1
1-1	4	WY0081	DC61-02108A	HOUSING FAN-LOW; SEW-HVR129ATA,GI-SGCC,T0	SNA	1
1-2	4	S0025	6002-000635	SCREW-TAPPING; PH,+,NO,2S,M4,L8,ZPC(WHT),	SNA	1
1-3	4	WE0095	DC47-00008D	HEATER-DRY; AC220V,2000W,INCOLOY800,1305m	SA	1
1-4	4	WP0099	DC61-02111A	BRACKET HEATER; SEW-HVR129ATA,STAINLESS-S	SNA	1
1-5	4	WI0183	DC63-00929A	COVER-HOUSING(U); SEW-HVR129ATA,GI-SGCC,T	SNA	1

Exploded Views and Parts List

No.	Lvl.	Loc.	Material Code	Description & Specification	SNA	Qty.
2	3	WX0494	6003-000226	SCREW-TAPTYPE; TH,+,-,S,M4,L8,ZPC(WHT),SW	SC	6
3	3	WJ0055	6021-000225	NUT-HEXAGON; 2C,M6,ZPC(YEL),SM20C	SNA	1
4	3	WJ0083	6031-001500	WASHER-PLAIN; N6M03,-,ID8,OT17,T0.2,-,-	SNA	1
5	3	WS0087	DC31-00032D	MOTOR BLDC-FAN; DL-7806SSWC,1700,17.5VDC,	SA	1
6	3	WE5166	DC47-00016B	THERMOSTAT; AC125/250V,25A,125,-35,S.O.D,	SA	1
7	3	WE5165	DC47-00016C	THERMOSTAT; AC125/250V,16A,125,-35,MANUAL	SA	1
9	3	WY0082	DC61-02109A	HOUSING-FAN(L/F); SEW-HVR129ATA,Nylon#66,	SA	1
10	3	WY0085	DC61-02110A	HOUSING FAN-UP REAR; SEW-HVR129ATA,PET,T2	SA	1
11	2	WJ0041	DC66-00423A	JOINT DIAPHRAGM; K4-PJT,EGI,T1.0	SNA	1
12	3	WT0033	DC62-00191A	SEAL WATER; SEW-DR605,NBR,BLACK,RUBBER /	SNA	1
13	3	WY0076	DC67-00240A	FAN DRY; PA66,MACH-PJT	SA	1
13-1	4	WY0053	DC61-01096C	BUSH FAN; SEW-HAR149AUR,ALDC,INSERT-PART	SNA	1
14	3	WE5181	DC32-00004B	THERMISTOR; -,40KOHM(40,-,-20~170,-,5V,-,	SA	1

6. Small Parts

Exploded View

				
1	2	3	4	5
				
6	7	8	9	10

Parts List

No.	Lvl.	Loc.	Material Code	Description & Specification	SNA	Qty.
1	2	WI0293	DC61-40083A	HOLDER WIRE; DAWH-3ND,PA66,NTR(PI24.4)/NY	SNA	5
2	2	WJ0021	DC65-10001A	CABLE TIE; PVC	SNA	1
3	2		DC65-20010A	CABLE CLAMP; DA-9N-1,NYLON66,NTR	SNA	1
4	2	WJ5054	DC65-20008C	CABLE CLAMP; DA-8N,ID13.2/T1.0,NYLON#66,N	SA	1
5	2		DC65-00011A	CABLE CLAMP; SEW-HW108,15,POWER-CORD,NYLO	SNA	1
6	2	WI0293	DC61-40081A	HOLDER WIRE; DAWH-2NC,PA66,-,NATURAL,-	SA	8
7	4		6502-000127	CABLE CLAMP; DAWH-18NB,PA66,NTR	SNA	2
8	2	WI0294	DC61-00553B	CABLE CLAMP; DAWS-3NE,PA66,NTR	SA	1
9	2		DC61-00133A	CLAMPER HOSE-FIX; P1291,PP,-,HOSE+PLUG,BJ	SNA	1
10	2	WI0326	6046-000310	STAND OFF; NTR,PA66,DAWH-3NA	SA	1