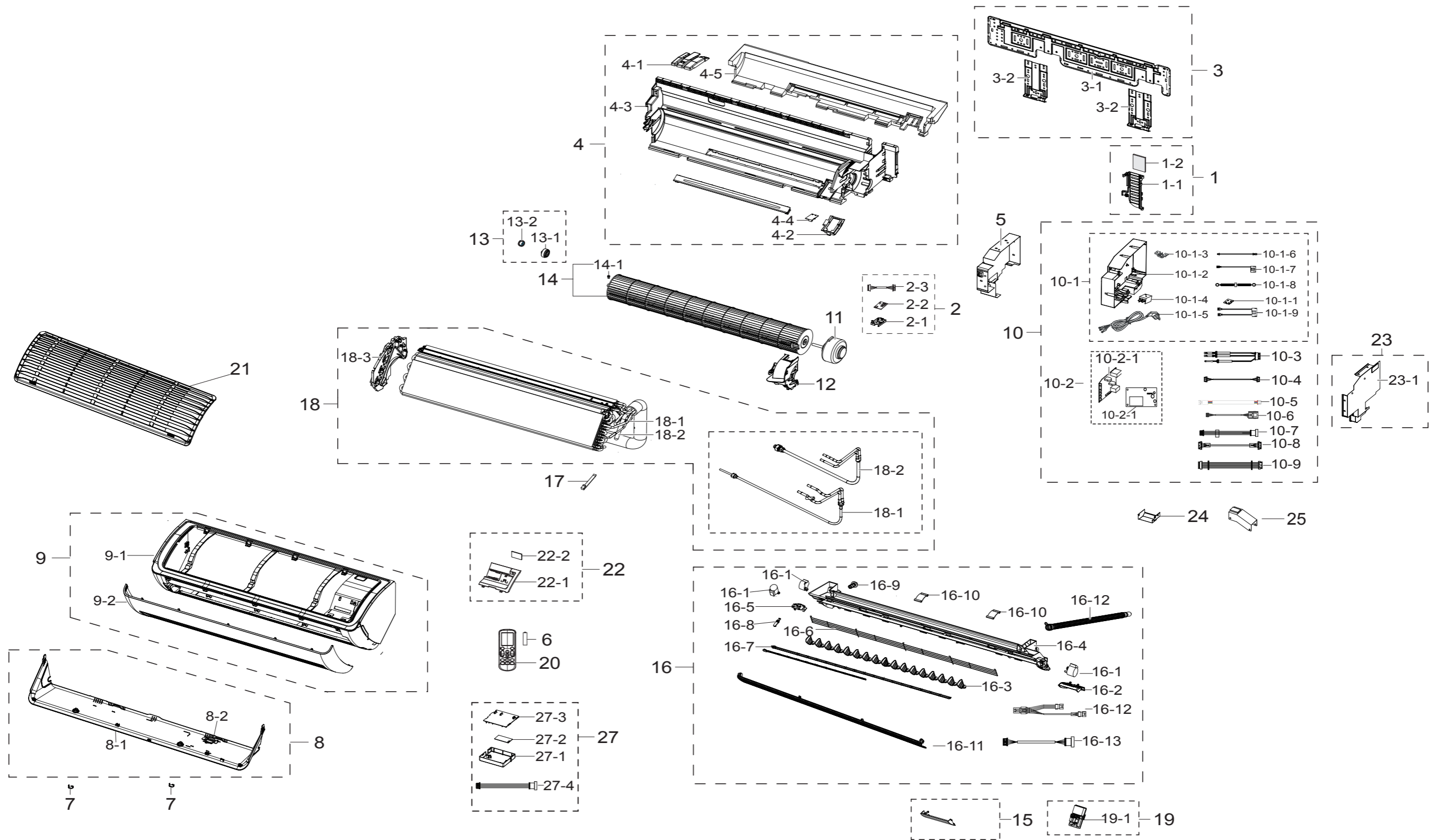


EXPLODED VIEW AND PART LIST

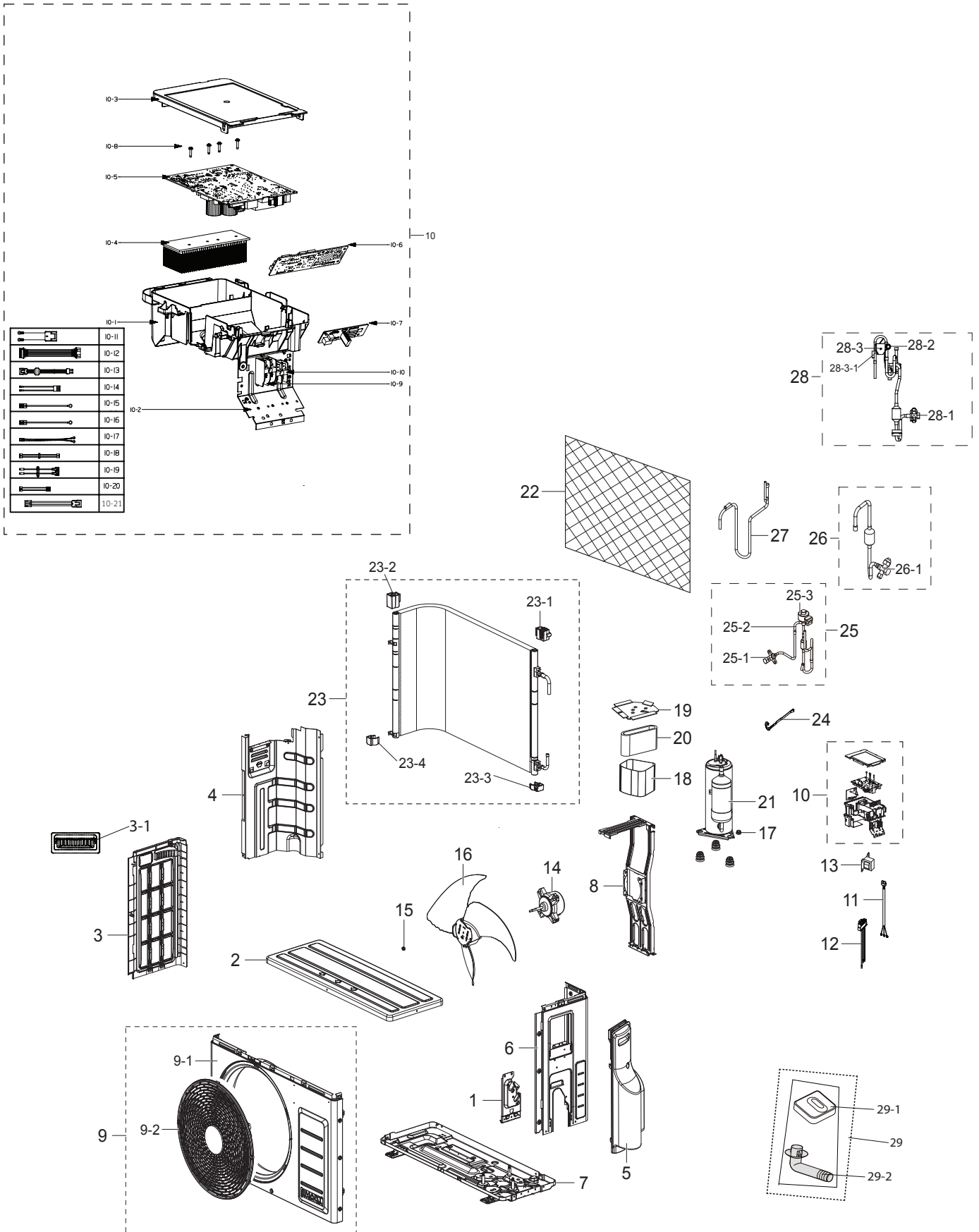


Part list : AR09MSPXBWKNEU

NO.	Parts Code	Parts Description	Spec.	Q'ty	Unit	Service
1	DB90-08139B	ASSY HOLDER PIPE	F03/F04,HIPS BLACK + FLOCKED SEAL	1	PC	SA
1-1	DB61-05853B	HOLDER-PIPE	F03/F04,HIPS,BLACK,-,HI650	1	PC	SA
2-1	DB61-05854A	CASE PCB-REMOCON	A3050, F-RAC-05,HIPS,-,BLACK	1	PC	SA
2-2	DB92-02874A	ASSY PCB SUB	RECEIVER,A3050,24*40	1	PC	SA
2-3	DB93-14206A	ASSY CONNECTOR WIRE-DC SIGNAL,PBA-PBA	4,2095,26,ORG,SMH200-04H/WHT,SMH200-04H/WHT,-,160,-,-,-,-,PBA-PBA,A3050,N,-	1	PC	SA
3	DB90-07732A	ASSY HANGER	A3050 F-RAC-03,04,09,H228.9	1	PC	SA
3-1	DB61-05958A	HANGER-LINK	F-RAC-03/04,GI-SGCC,T0.6	1	PC	SA
4	DB94-04303E	ASSY BACK BODY	AR12HSSDCWKNSK,F-03, SPI, No SPI Lamp	1	PC	SA
4-1	DB61-05849A	HOLDER	A3050, F-RAC-03/04/05,HIPS,BLACK,-,PH-88	1	PC	SA
4-4	DB93-09679A	ASSY-SPI SLIM COMPACT	Wire Length : 500mm	1	PC	SA
7	DB67-01404B	CAP-SCREW	A3050, F-RAC-04,HIPS,T2.0,HP825G,DA WHITE,ETCHING	2	PC	SA
9	DB92-04103A	ASSY PANEL FRONT	Wind-Free	1	PC	SA
9-2	DB64-03253A	GRILLE INLET	ABS,DA WHITE,HF-0690M	1	PC	SA
10-1	DB90-07763F	ASSY CASE-ELECTRIC	NEW WIFI MODEL,BLDC,485	1	PC	SA
10-1-4	DB65-00326A	TERMINAL BLOCK	4P,PBT,300V,25A Minimum,300V,25A(MAX 4MM^2),36.4*47.0,BLK,Y,TAB-SCREW,4,AMP 250#,1(L),2(N),F(1),F(2),0103-004056	1	PC	SA
10-1-6	DB93-06677A	ASSY CONNECTOR WIRE,PBA-PBA	2,1015,22,BRN,YH396-03V/WHT,YH396-03V/WHT,-,290,PVC/300V/105 /VW-1,250,-,-,PBA-PBA,A3050,N,-,FORTE-P/J,100mm,AWG26,SMH2	1	PC	SA
10-1-7	DB93-14203A	ASSY CONNECTOR WIRE-POWER	2,1015,22,BRN,YH396-03V/BLU,SPS-21T-250S,-,250,HEAT SHRINK,210,-,-,PBA-T/B,A3050,N,-	1	PC	SA
10-1-8	DB93-14245A	ASSY CONNECTOR WIRE-EARTH	1,1015,16,YEL/GRN,ST710095-3,ST710095-3,-,500,-,-,-,-,EAVP-PLATE,A3050,N,-	1	PC	SA
10-1-9	DB93-14237A	ASSY CONNECTOR WIRE-COMM	2,1007,22,BLU,YH396-02V/RED,179973-1,-,200,-,-,-,-,PBA-T/B,A3050	1	PC	SA
10-2-1	DB92-04101A	ASSY PCB MAIN	MAIN,AR9500M,120*98,N,230V,19V, 12V, 5V,WIND FREE, A-STD#4, BLDC MOTOR, A3050	1	PC	SA
10-2-2	DB92-02861A	ASSY MODULE	STD #3 SMPS,A3050,11W (5V 350mA, 12V 680mA, 19V 50mA)	1	PC	SA
10-3	DB95-05163A	ASSY THERMISTOR IN	103HW,6P,400/400/400,UL1007,24,6,SMH200,P VC/105 ,260/260/260	1	PC	SA
10-4	DB93-14209B	ASSY CONNECTOR WIRE-DISPLAY	11,2095,26,RED,SMH200-11H/WHT,SMH200-11H/WHT,-,310,-,-,RING_23.5,2,PBA-PBA,A3050,N,-	1	PC	SA
10-5	DB32-00241A	SENSOR HUMIDITY	5V,0~100%RH,AC	1	PC	SA
10-6	DB93-14218B	ASSY CONNECTOR WIRE-DC SIGNAL,PBA-STEP MOTO	5,2095,24,RED,SMH250-05L/WHT,YLR-06V/WHT,-,150,-,-,-,-,PBA-STEP MOTOR,RAC	1	PC	SA
10-7	DB93-14205A	ASSY CONNECTOR WIRE-DC SIGNAL,PBA-WIRE	5,1007,26,RED,SMH200-05H/BLU,25045HP-05A/BLU,-,200,-,-,-,-,PBA-WIRE,A3050	1	PC	SA
10-8	DB93-15445A	ASSY CONNECTOR WIRE-DC SIGNAL,WIFI-MAIN	5,2095,26,RED,SMH200-05H/RED,SMH250-05L/WHT,-,250,-,-,-,-,WIFI-MAIN,A3050	1	PC	SA
10-9	DB93-14208A	ASSY CONNECTOR WIRE-DC SIGNAL,RED	3,1007,26,RED,SMH250-05L/RED,SMH250-05L/RED,-,150,-,-,-,-,PBA-PBA,A3050,N,-	1	PC	SA
11	DB31-00636A	MOTOR BLDC FAN	RD-310-25-8A(AL),1500,310V,1,27W	1	PC	SA
12	DB90-08006A	ASSY COVER-MOTOR	AR12FSFNWKNFA,ASSY	1	PC	SA
12-1	DB63-03492A	COVER MOTOR	A3050, F-RAC-04,ABS,-,NATURAL,SSEC:HI-121H	1	PC	SA
13	DB94-00455B	ASSY-RUBBER BEARING	WW-PJT,CR,BLK SSEC	1	PC	SC
13-2	DB94-40007B	ASSY-BEARING	G1-PJT,SSEC	1	PC	SC
14	DB94-01550D	ASSY FAN CROSS	A3050,95.6PI, BLACK	1	PC	SA
14-1	6009-001433	BOLT-HEX	M6,L8,ZPC(WHT),SWRCH10A,MACHINE,CP TYPE	1	PC	SA
16-1	DB31-00371A	MOTOR STEP	1step 5.625°/64,DC12V,650gf.cm	3	PC	SC
16-2	DB90-07948A	ASSY CASE-DISPLAY	All model,Assy	1	PC	SA
16-3	DB61-05846A	BLADE V	F-RAC-03/04/05,ABS,T2.0,TWILIGHT BLUE	15	PC	SA
16-9	DB73-00180A	RUBBER-CAP DRAIN	SS-PJT,NR	1	PC	SA
16-10	DB66-01891A	BLADE H	ABS,DA WHITE(HF-0690M)	1	PC	SA
16-11	DB94-02195A	ASSY DRAIN-HOSE	DA WHITE,RIGTH,N,R22,VIVALDI,QA12ULNSER,STD	1	PC	SA
16-12	DB93-14220B	ASSY CONNECTOR WIRE-DC SIGNAL,WIRE-STEP MOTOR	10,2095,24,RED,YLP-06V/WHT,25045HP-05A/WHT,25045HP-05A/WHT,800,-,-,-,-,WIRE-STEP MOTOR,RAC	1	PC	SA
16-13	DB93-14204A	ASSY CONNECTOR WIRE-DC SIGNAL,PBA-MOTOR	5,2095,26,RED,SMH250-05L/BLU,25045HP-05A/BLU,-,900,-,-,-,-,PBA-MOTOR,A3050,N,-	1	PC	SA
18	DB96-19183B	ASSY EVAP TOTAL	F03-2-1	1	PC	SA

19-1	DB92-04106A	ASSY PCB DISPLAY	SUB DISPLAY,WIND FREE,64*36,N,5V,WIND FREE, 88DISPLAY, 3LED,Y	1	PC	SA
20	DB93-15883K	ASSY WIRELESS REMOCON	RS-3,ENGLISH,40.0*45.0, ,RAC,Heat Pump,SAMSUNG,3050 Purify	1	PC	SA
21	DB63-03729A	FILTER AIR-PRE	F03_Neo Filter,HIPS,DA WHITE,ETC	1	PC	SA
22-1	DB63-03494A	COVER PANEL-SUB	A3050, F-RAC-04,HIPS,T2.0,-,DA WHITE,S834S1	1	PC	SA
23	DB90-07859A	ASSY PLATE-CONTROL	AR09FCSDAWKNAF,F03,SSEC	1	PC	SA
23-1	DB61-05959A	PLATE CONTROL-RIGHT	A3050,F-RAC-03/04,GI-SGCC,TO.4,W200.3,L209.4,-	1	PC	SA
25	DB61-05965A	PLATE CONTROL-UP	A3050 F-RAC-03,GI-SGCC,TO.4,W 41.3,L88.8,-	1	PC	SA
27	DB90-07763F	ASSY CASE-ELECTRIC	NEW WIFI MODEL,BLDC,485	1	PC	SA
27-1	DB63-03503A	COVER PCB	A3050 F-RAC-04,HIPS,-,BLACK,S834S1/PH-88,WIFI PCB	1	PC	SA
27-2	4709-002536	W-LAN MODULE	SWL_CQ52/RAC,17K,BORA,IEEE802.11.2.4GHz,QCA4531,5V, 12V,UART,MIMO,54*30, T7.34,-20~85	1	PC	SA
27-3	DB61-05847A	CASE PCB	A3050 F-RAC-04,HIPS,-,BLACK,-,S834S1/PH-88,WIFI PCB	1	PC	SA
27-4	DB93-04688F	ASSY CONNECTOR WIRE,BORACAY	5,1007,26,RED,SMH200-05H/WHT,25045HP-05B/WHT,-,150,-,-,-, ,UNKNOWN,BORACAY,N,-,BORACAY-P/J,SSEC	1	PC	SA
28	DB61-05965A	PLATE CONTROL-UP	A3050 F-RAC-03,GI-SGCC,TO.4,W 41.3,L88.8,-	1	PC	SA

OUTDOOR



Part list : AR09MSPXBWKXEU

NO.	Parts Code	Parts Description	Spec.	Q'ty	Unit	Service
1	DB61-04339C	BRACKET-VALVE	GL-SAZCC,T1.0,200.9,-,SSEC	1	PC	SA
2	DB64-02977A	CABINET TOP	F-XS-02,GI-SGCC,TO.7,NATURAL	1	PC	SA
3-1	DB64-00992C	HANDLE-LF	PP weatherability,SSEC	1	PC	SA
4	DB67-01403A	PARTITION	F-XS-02,GI-SGCC,TO.6,-	1	PC	SA
5	DB90-06381F	ASSY COVER-VALVE	NEW_WW,GY0108	1	PC	SA
6	DB90-07736C	ASSY CABI SIDE-RIGHT	NEW WW,ASSY	1	PC	SA
7	DB90-07750F	ASSY BASE OUT	NEW WW 44F,ASSY	1	PC	SA
8	DB90-07834A	ASSY BRACKET MOTOR	F-XS-03(NEW SI),SSEC	1	PC	SA
9-1	DB64-02975A	CABINET FRONT	F-XS-02,GI-SGCC,TO.6,NATURAL	1	PC	SA
9-2	DB90-08047A	ASSY GUARD-FAN	XS02,XS03,ASSY	1	PC	SA
10-2	DB61-05836A	PLATE CONTROL	F-XS-02,GI-SGCC,TO.6,-	1	PC	SA
10-5	DB92-04025A	ASSY PCB INVERTER	INVERTER,PF#2_17S,142*194,Y,220V-240V,5V,12V,15V,485 COMM,OUT DOOR	1	PC	SA
10-6	DB92-04029B	ASSY PCB MAIN	MAIN,RAC_OUT_MAIN,142*48.5,N,485 COMM, EMI	1	PC	SA
10-8	DB91-00933A	ASSY-SCREW MACHINE	MH*, FJM,M3, L12	4	PC	SA
10-9	DB65-00298B	TERMINAL BLOCK	11R RAC-INVERTER,P.BT + G30,300V,25A min,47*24mm,BLACK,No,TAB-SCREW,2,SCREW-SCREW,L N,B_Type	1	PC	SA
10-10	DB65-00274A	TERMINAL BLOCK,Polycarbonate	TERMINAL BLOCK,Polycarbonate, Phenol,AC300V,20A,-,-,-,-,-,TAB-SCREW,B_Type	1	PC	SA
10-12	DB93-07452B	ASSY CONNECTOR WIRE-DC SIGNAL	8,1007,26,WHT,SMH250-08L/WHT,SMH250-08L/WHT,-,100,-,-,-,-,PBA-PBA,RAC	1	PC	SA
10-13	DB93-09497E	ASSY CONNECTOR WIRE,PBA-COMP	3,1015,16,RED,MG625040/WHT,DBT061-03P/WHT,-,190,-,-,TR29,TR29,PBA-COMP,A3050,N,-	1	PC	SA
10-15	DB93-12121A	ASSY CONNECTOR WIRE-EARTH WIRE	1,1015,18,YEL/GRN,173724-1,ST710197-2,-,160,-,-,-,PBA-PLATE,MALDIVE-PJT,N,-,MALDIVE-PJT,SSEC	1	PC	SA
10-16	DB93-12121C	ASSY CONNECTOR WIRE,PBA-EARTH	1,1015,18,YEL/GRN,ST731079-3,ST710197-2,-,350,-,-,-,PBA-EARTH,MALDIVES	1	PC	SA
10-18	DB93-15320A	ASSY CONNECTOR WIRE-REACTOR	2,1015,16,WHT,MG630591R/WHT,MG630591R/WHT,-,350,-,-,-,PBA-REACTOR,AR5000	1	PC	SA
10-19	DB93-16371A	ASSY CONNECTOR WIRE-POWER	2,1015,16,BRN,175022-1,MG630591R/WHT,-,500,-,-,TR36-23-15_G8A,11,T/B-PBA,RAC	1	PC	SA
10-21	DB93-10846A	ASSY CONNECTOR WIRE-4WAY	2,1015,18,SKY,MG620874P/WHT,YH396-03VR/WHT,-,70,-,-,-,MODEL_2011	1	PC	SA
11	DB93-12849A	ASSY CONNECTOR WIRE,COMP-PBA	3,3343,16,YEL,MG610876/WHT,MG634833/WHT,-,250,CB-600/10PI/BLK,175,-,-,COMP-PBA,AR5000	1	PC	SA
12	DB95-05164A	ASSY THERMISTOR OUT	103AT,6P,600/280/760,UL1007,24,6,SMH 200,7PI PVC,220/180/450	1	PC	SA
14	DB31-00642C	MOTOR BLDC FAN	RD-310-45-8B,310V,40W	1	PC	SA
15	DB60-00437A	FASTENER-NUT FLANGE	SWRCH10A,14,1.2,6	1	PC	SA
16	DB67-01407A	FAN PROPELLER	PP+GF20%+PD20%	1	PC	SA
17	DB60-30028A	NUT-FLANGE	HWH,M8,ZPC(WHT),SWRCH18A,P1.25/Washer Type(WP)	3	PC	SA
22	DB63-03519A	GUARD COND	F-XS-02,MSWR-SWRM,EARTH BROWN	1	PC	SA
23	DB96-18492B	ASSY COND BENDING	WW FMC (6turn)	1	PC	SA
23-1	DB61-06001A	HOLDER COND-UP,FMC RH	F-XS-01,PP,EARTH BROWN,-,TB52U,FMC RH	1	PC	SA
23-2	DB61-05999A	HOLDER COND-UP,FMC LF	F-XS-01,PP,EARTH BROWN,-,TB52U,FMC LF	1	PC	SA
23-3	DB61-05861A	HOLDER COND-LOW,FMC RH	F-XS-01,PP,EARTH BROWN,-,TB52U,FMC RH	1	PC	SA
23-4	DB61-05862A	HOLDER COND-LOW,FMC LF	F-XS-01,PP,EARTH BROWN,-,TB52U,FMC LF	1	PC	SA

24	DB81-00635A	SPRING ETC-SENSOR	DVM-SYSTEM,STS304,R2.5,R4.5,44,0.3,2.0, NONE	2	PC	SA
25	DB96-21230A	ASSY TUBE EEV	AR12JSFNCWK/SK,1.4,5pin,1/4"	1	PC	SA
25-1	DB62-02283A	VALVE SERVICE-SPINDLE	.,1/4",R410A, FLARE	1	PC	SA
25-2	DB62-12123A	VALVE EXPAN	1.3,500	1	PC	SA
25-3	DB62-12213A	VALVE COIL EXPAN	DC12V,COIL,700,15.45,MOLDING	1	PC	SA
26-1	DB62-02283A	VALVE SERVICE-SPINDLE	.,1/4",R410A, FLARE	1	PC	SA
28	DB96-22452B	ASSY TUBE 4WAY	AR12MSFNJWK/SV,SOLENOID COIL(DB95- 04804A)	1	PC	SA
28-1	DB62-02284A	VALVE SERVICE-SPINDLE,3/8	.,3/8",R410A, FLARE	1	PC	SA
28-2	DB62-05701A	VALVE-4WAY	.,1HP,COMMON	1	PC	SA
28-3	DB95-04804A	ASSY-SOLENOID	MALDIVES,CONNECT WIRE 4WAY	1	PC	SA
28-3-1	DB95-01635A	VALVE COIL SOLENOID	AC220-240V,1000,L-Wire	1	PC	SC
29-1	DB67-01533A	RUBBER-LEG	All frame,NR,BLACK	4	PC	SA
29-2	DB67-20011A	DRAIN-PLUG OUT	ASH-1814ER,PP,NATURAL	1	PC	SA